

WD30JS

30-INCH TRADITIONAL WARMING DRAWER

MASTERPIECE® SERIES HANDLE



FEATURES & BENEFITS

- ★ - SoftClose® hinges for ultra smooth closing of the warming drawer
- Telescopic ball-bearing rails offer smooth handling and support up to 40 lbs
- Warming Mode with three convenient temperature settings
- Special Proof Mode
- Moisture selector controls humidity level in the drawer

GENERAL PROPERTIES

| | |
|--|---|
| Power Levels | High, Low, Medium |
| Dough Proofing Mode | Yes |
| Plate Warming Mode (for multiple plates) | No |
| Warming Mode | Yes |
| Temperature Settings | F140 - F165 - F190 (Proof: F100) |
| Timer | Yes |
| Automatic Shut Off After 1 Hour | Yes |
| Door Opening | Pull Handle |
| Hinges | SoftClose® |
| Wattage Heating Element(s) | 450 W |
| Easy-Clean Glass Ceramic Surface | No |
| Control Type | Touch Control With Blue Digital Display |

CAPACITY

| | |
|------------------------------|-------------|
| Cavity Capacity (cu. ft.) | 2.6 cu. ft. |
| Holds Up To __ Dinner Plates | 27 |

TECHNICAL DETAILS

| | |
|------------------------|-------------|
| Watts (W) | 450 W |
| Circuit Breaker (A) | 15 A |
| Volts (V) | 120 V |
| Frequency (Hz) | 60 Hz |
| Power Cord Length (in) | 84" |
| Plug Type | 120V 3-Wire |

DIMENSIONS & WEIGHT

| | |
|---|-----------------------------|
| Overall Appliance Dimensions (HxWxD) (in) | 11 1/4" x 29 3/4" x 23 7/8" |
| Required Cutout Size (HxWxD) (in) | 11" x 28 1/2" x 23 3/8" |
| Net Weight (lbs) | 80 lbs |

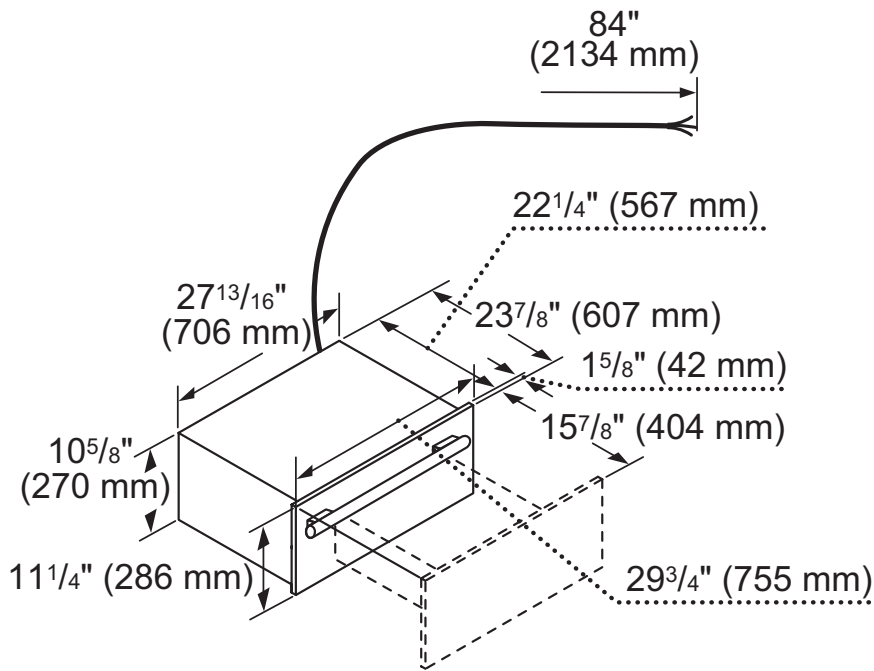
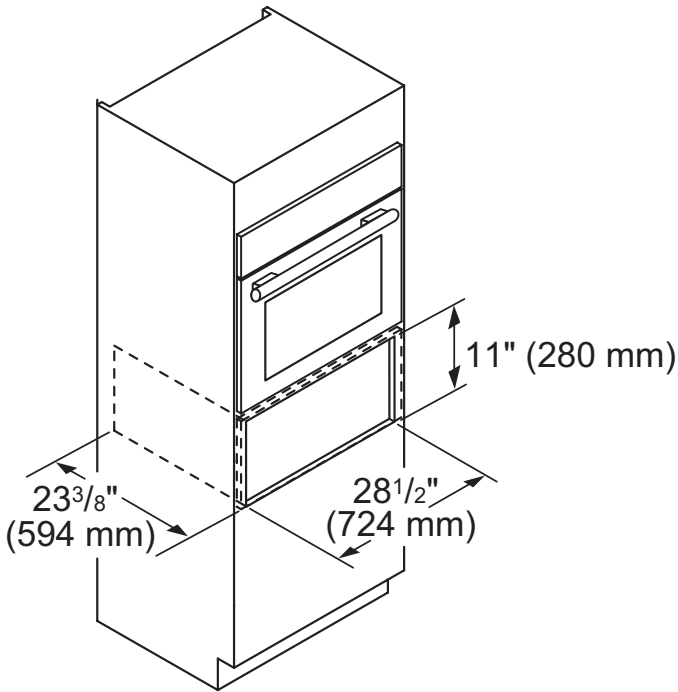
WARRANTY

| | |
|----------------------------------|--------|
| Limited Warranty Parts and Labor | 2 Year |
|----------------------------------|--------|

WD30JS
30-INCH TRADITIONAL WARMING DRAWER
MASTERPIECE® SERIES HANDLE

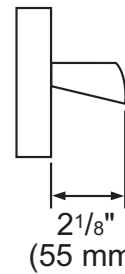


30-INCH TRADITIONAL WARMING DRAWER AND CUTOUT DIMENSIONS



Door Handle Depth*

Masterpiece
Handle



*Protrusion of handle from outer part of drawer front. Does not include thickness of drawer front

These warranties give you specific legal rights and you may have other rights that vary from state to state. Full warranty and limited warranty from date of installation. For complete warranty details, refer to your Use & Care manual, or ask your dealer.

Specifications are for planning purposes only. Refer to installation instructions and consult your countertop supplier prior to making counter opening. Consult with a heating and ventilation engineer for your specific ventilation requirements. For the most detailed information, refer to installation instructions accompanying product or write to Thermador indicating the model number. Specifications are correct at time of printing. Thermador reserves the right to change product specifications or design without notice. Some models are certified for use in Canada. Thermador is not responsible for products that are transported from the U.S. for use in Canada.