

# USE AND CARE GUIDE



THERMADOR PROFESSIONAL® RANGETOPS  
TABLES DE CUISSON PROFESSIONAL<sup>MC</sup> DE THERMADOR  
PLACAS DE COCCIÓN PROFESSIONAL® DE THERMADOR

**Thermador** <sup>®</sup>  
REAL INNOVATIONS FOR REAL COOKS<sup>®</sup>

# USE AND CARE GUIDE

THERMADOR PROFESSIONAL<sup>®</sup> RANGETOPS

TABLES DE CUISSON PROFESSIONAL<sup>MC</sup> DE THERMADOR

PLACAS DE COCCIÓN PROFESSIONAL<sup>®</sup> DE THERMADOR

**Models/  
Modèles/  
Modelos:**

PCG304G  
PCG305P  
PCG364GD  
PCG366G  
PCG486GD  
PCG364NL  
PCG486NL



Congratulations on your recent Thermador purchase! Whether you are a dedicated chef or simply a connoisseur of the art of cooking, owning a Thermador kitchen is the ultimate expression of personal style, good taste and an appreciation for the complete culinary experience. Our award-winning products have been empowering culinary enthusiasts for more than eleven decades.

Before you begin using your new Thermador product, please take a moment to review the Use and Care Guide. You will find the answers to all of your questions as well as some very important safety information. Pay special attention to the **Important Safety Instructions** located at the beginning of the manual. Your Thermador product is ready and waiting to be used for your next gourmet creation!

Our products are handcrafted with the highest quality authentic materials to ensure years of reliable service. In the unlikely event that you have a service question, please have your model and serial numbers of your product available (see the “*Before Calling For Service*” section for location).

We realize that you have made a considerable investment in your kitchen. Please feel free to share your Thermador kitchen photos and remodeling stories with us. Follow us on Twitter or post your kitchen photos on Facebook. We would love to hear from you!

Thermador wishes you many years of creative cooking.

Félicitations pour votre récent achat Thermador! Que vous soyez un chef enthousiaste ou un simple connoisseur de l’art culinaire, le fait de posséder une cuisine Thermador représente l’expression ultime de votre style personnel, de votre bon goût et de votre intérêt à vivre une expérience culinaire complète. Nos produits primés permettent à des adeptes de la bonne bouffe d’atteindre de nouveaux sommets depuis plus de onze décennies.

Avant de commencer à utiliser votre nouveau produit Thermador, veuillez prendre un moment pour examiner ce guide d’utilisation et d’entretien. Vous trouverez des réponses à toutes vos questions ainsi que quelques renseignements essentiels en matière de sécurité. Portez une attention particulière aux **Instructions de sécurité importantes** se trouvant au début du guide. Votre produit Thermador est prêt et n’attend plus que vous l’utilisiez pour votre prochaine création gastronomique!

Nos produits sont fabriqués à la main avec des matériaux authentiques de haute qualité afin d’assurer des années de service fiable. Dans l’éventualité improbable où vous auriez une question relativement à l’entretien, veuillez avoir à la portée de la main le numéro de série et de modèle de votre produit (reportez vous “*Avant d’appeler le service technique*”).

Nous savons bien que vous avez investi une somme considérable dans votre cuisine. N’hésitez pas à partager avec nous les photos de votre cuisine Thermador et les anecdotes relatives au remodelage de votre cuisine. Suivez-nous sur Twitter ou affichez des photos de votre cuisine sur Facebook. Nous serions ravis d’avoir de vos nouvelles!

Thermador vous souhaite de nombreuses années de gastronomie créative.

¡Enhorabuena por la reciente compra de su Thermador! Que Usted sea un gran jefe de cocina o un simple aficionado del arte culinario, el hecho de poseer una cocina Thermador es la última expresión de su estilo personal, de su buen gusto y de su apreciación de una experiencia culinaria completa. Nuestros premiados productos permiten al entusiasta de la cocina explorar este mundo desde hace más de once décadas.

Antes de comenzar a utilizar sur nuevo producto Thermador, tómese un momento para echar un vistazo a este manual de uso y mantenimiento. Encontrará respuestas a todas sus preguntas además de informaciones esenciales en materia de seguridad. Ponga especial atención a las **Instrucciones de seguridad importantes**, situadas al principio del manual. ¡Su producto Thermador está listo y solo espera a que Usted lo use para su próxima creación gastronómica!

Nuestros productos se fabrican a mano con materiales auténticos de alta calidad a fin de garantizar años de servicio fiable. En el caso improbable en que Usted tenga una pregunta relativa al mantenimiento, tenga a mano el número de serie y el modelo de su producto (consulte “*Antes de Solicitar Servicio*”).

Nos damos cuenta de que Usted invirtió una suma considerable en su cocina. No dude en compartir con nosotros las fotos de su cocina Thermador y anécdotas acerca de la reforma de su cocina. Síguenos en Twitter o publique fotos de su cocina en Facebook. ¡Estaremos encantados de tener noticias tuyas!

¡Thermador le desea varios años de gastronomía creativa!

---

# Table of Contents

<b>Safety</b> .....	<b>1</b>
Important Safety Instructions .....	1
<b>Description</b> .....	<b>6</b>
Parts Identification .....	6
<b>Before You Begin</b> .....	<b>7</b>
Getting Started .....	7
Data Rating Label .....	7
Surface Burners .....	7
<b>Using The Cooktop</b> .....	<b>8</b>
Sealed STAR® Burners .....	8
ExtraLow® Burners .....	10
Cookware Recommendations .....	12
Surface Burner Recommendations .....	14
Using the Electric Griddle .....	16
Using the Electric Grill .....	19
<b>Care and Maintenance</b> .....	<b>22</b>
Cleaning Recommendations .....	22
<b>Before Calling For Service</b> .....	<b>25</b>
Service Information .....	25
Troubleshooting .....	26
<b>Statement of Limited Product Warranty</b> .....	<b>27</b>
<b>Customer Service, Accessories &amp; Parts</b> .....	<b>back page</b>

---

# Safety Definitions

<b>▲ WARNING</b>
This indicates that death or serious injuries may occur as a result of non-observance of this warning.

<b>▲ CAUTION</b>
This indicates that minor or moderate injuries may occur as a result of non-observance of this warning.

**NOTICE:** This indicates that damage to the appliance or property may occur as a result of non-compliance with this advisory.

**Note:** This alerts you to important information and/or tips.

This THERMADOR® appliance is made by  
BSH Home Appliances Corporation  
1901 Main Street, Suite 600  
Irvine, CA. 92614

**Questions?**  
1-800-735-4328  
[www.thermador.com](http://www.thermador.com)

**We look forward to hearing from you!**

# Safety



## IMPORTANT SAFETY INSTRUCTIONS READ AND SAVE THESE INSTRUCTIONS

### PLEASE READ CAREFULLY

#### WARNING



If the information in this manual is not followed exactly, a fire or explosion may result causing property damage, personal injury or death.

- Do not store or use gasoline or other flammable vapors and liquids in the vicinity of this or any other appliance.
- WHAT TO DO IF YOU SMELL GAS
  - Do not try to light any appliance.
  - Do not touch any electrical switch.
  - Do not use any phone in your building.
  - Immediately call your gas supplier from a neighbor's phone. Follow the gas supplier's instructions.
  - If you cannot reach your gas supplier, call the fire department.
- Installation and service must be performed by a qualified installer, service agency or the gas supplier.

#### WARNING

Improper installation, adjustment, alteration, service or maintenance can cause injury or property damage. Refer to this manual. For assistance or additional information consult a qualified installer, service agency, manufacturer or the gas supplier.

#### For Massachusetts Installations:

1. Installation must be performed by a qualified or licensed contractor, plumber or gas fitter qualified or licensed by the state, province or region where this appliance is being installed.
2. Shut-off valve must be a "T" handle gas cock.
3. Flexible gas connector must not be longer than 36" (914 mm).

#### WARNING

To avoid possible burn or fire hazard, a back guard designed specifically for this rangetop must be installed whenever the rangetop is used.

### Gas Type Verification

Verify the type of gas supplied to the location. Ensure that the appliance is connected to the type of gas for which it is certified. Make certain your range and gas type are the same. Refer to the product rating label (see section Before Calling for Service).

#### CAUTION

When connecting the unit to propane gas, make certain the propane gas tank is equipped with its own high-pressure regulator in addition to the pressure regulator supplied with the rangetop. **The maximum gas pressure to this appliance must not exceed 14.0" water column (34.9 mb) from the propane gas tank to the pressure regulator.**

#### IMPORTANT:

Except for PCG305P models, when installing against a combustibile surface, a Low Backguard is required. A THERMADOR Low Backguard must be purchased separately. See the *Installation Manual* for backguard and installation information.

When using the Flush Island Trim, Thermador recommends a minimum 12" (305 mm) rear clearance to a combustibile surface (see the *Installation Manual* for clearance requirements). Clearances from non-combustibile materials are not part of the ANSI Z21.1 scope and are not certified by CSA. Clearances of less than 12" (305 mm) must be approved by the local codes and/or by the local authority having jurisdiction.

Before using the rangetop, ensure that it is equipped with a proper backguard. Refer to the *Installation Manual* accompanying this appliance for more information.



# IMPORTANT SAFETY INSTRUCTIONS

## READ AND SAVE THESE INSTRUCTIONS

### Electrical Requirements

#### WARNING

##### IN CASE OF AN ELECTRICAL FAILURE

If for any reason a gas control knob is turned ON and there is no electrical power to operate the electronic igniters on the rangetop STAR<sup>®</sup> burners, **turn OFF the gas control knob and wait 5 minutes** for the gas to dissipate before lighting the STAR burner manually.

To light the STAR burners manually, carefully hold a lighted match to the STAR burner ports and turn the gas control knob to HI. During a power failure, you can use the standard rangetop STAR burners, but each must be lit with a match.

**DO NOT** attempt to light the two left XLO<sup>®</sup> STAR burners manually. These STAR burners are equipped with the ExtraLow<sup>®</sup> feature and cannot be lit manually.

It is the personal responsibility and obligation of you, the user, to have this appliance connected to the electrical power supply by a qualified electrician, in accordance with the National Electrical Code and/or applicable local codes and ordinances.

#### CAUTION

FOR PERSONAL SAFETY, THIS APPLIANCE MUST BE CONNECTED TO A PROPERLY GROUNDED AND POLARIZED ELECTRICAL POWER SUPPLY.

Always disconnect the electrical plug from the wall receptacle before servicing this unit.

**See the *Installation Manual* for electrical requirements and grounding instructions.**

Have the installer show you where the electric circuit breaker and the gas supply shut off valve are located so you know how and where to turn off the gas and electricity to the rangetop.

### Safety Codes and Standards

This appliance complies with the following Standards:

- UL 858, The Standard for the Safety of Household Electric Ranges
- ANSI Z21.1, The American National Standard for Household Cooking Gas Appliances
- CAN 1-1.1-M81, Domestic Gas Ranges
- CSA C22.2 No. 61, Household Cooking Ranges

Check your local building codes for the proper method of installation. In the absence of local codes, this unit should be installed in accordance with the National Fuel Gas Code No. Z223.1 current issue and the National Electrical Code ANSI/NFPA No. 70 current issue or the Can - B149 Installation Codes for Gas Burning Appliances and C22.1 Canadian Electrical Code Part 1.

It is the responsibility of the owner and the installer to determine if additional requirements and/or standards apply to specific installations.

When properly cared for, your new THERMADOR PROFESSIONAL<sup>®</sup> rangetop has been designed to be a safe, reliable appliance. However, use extreme care when using this rangetop as this appliance provides intense heat. When using kitchen appliances, basic safety precautions must be followed, including the following:

Read this *Use and Care Guide* carefully before using your new rangetop to reduce the risk of fire, electrical shock, or injury to persons.

Ensure proper installation and servicing. Follow the *Installation Manual* provided with this product. Have the rangetop installed and electrically grounded by a qualified technician.

In the event a STAR<sup>®</sup> burner goes out and gas escapes, open a window or a door. **DO NOT** attempt to use the rangetop until the gas has had time to dissipate. Wait at least 5 minutes before using the rangetop.

**DO NOT** repair or replace any part of the appliance unless specifically recommended in this manual. All servicing should be referred to a qualified technician.



# IMPORTANT SAFETY INSTRUCTIONS

## READ AND SAVE THESE INSTRUCTIONS

### Child Safety

When children become old enough to use the appliance, it is the responsibility of the parents or legal guardians to ensure that they are instructed in safe operation of the appliance by qualified persons.

#### WARNING

**DO NOT** store items of interest to children above or at the back of the rangetop. If children should climb onto the appliance to reach these items, they could be seriously injured.

**DO NOT** allow anyone to climb, stand, lean, sit, or hang on any part of an appliance. This can damage the appliance, and the unit may tip over, potentially causing severe injury.

**DO NOT** allow children to use this appliance unless closely supervised by an adult.

Children and pets should not be left alone or unattended in the area where the appliance is in use. They should never be allowed to play in its vicinity, whether or not the appliance is in use.

**NEVER** use any part of the rangetop for storage. Flammable materials can catch fire and plastic items may melt or ignite. **DO NOT** hang articles from any part of the appliance. Some fabrics are quite flammable and may catch on fire.

#### WARNING

##### TO REDUCE THE RISK OF INJURY TO PERSONS, IN THE EVENT OF A GREASE FIRE, OBSERVE THE FOLLOWING:

- Smother flames with a close-fitting lid, cookie sheet, or other metal tray, then turn off the gas burner or the electric element. Be careful to prevent burns. If the flames do not go out immediately, evacuate and call the fire department.
- Never pick up a flaming pan — You may be burned.
- **DO NOT USE WATER**, including wet dish cloths or towels — a violent steam explosion will result.
- Use an extinguisher only if:
  - You know you have a class ABC extinguisher and you already know how to operate it.
  - The fire is small and contained in the area where it started.
  - The fire department is being called.
  - You can fight the fire with your back to an exit.

If the rangetop is near a window, be certain the curtains do not blow over or near the rangetop burners; they could catch on fire.

#### WARNING

##### TO REDUCE THE RISK OF A GREASE FIRE:

- Never leave surface units unattended at high settings. Boilovers cause smoking and greasy spillovers that may ignite. Heat oils slowly on low or medium settings.
- Always turn hood ON when cooking at high heat or when flambéing food (i.e. Crepes Suzette, Cherries Jubilee, Peppercorn Beef Flambé).
- Clean hood filters frequently. Grease should not be allowed to accumulate on fan or filter.
- Use proper pan size. Always use cookware appropriate for the size of the rangetop burner.

**ALWAYS** have a working smoke detector near the kitchen.

In the event that personal clothing or hair catches fire, drop and roll immediately to extinguish flames.

Have an appropriate fire extinguisher available nearby, highly visible, and easily accessible near the cooking appliance.

Smother flames from food fires, other than grease fires, with baking soda. Never use water on cooking fires.

Whenever possible, do not operate the ventilation system during a rangetop fire. However, **DO NOT** reach through fire to turn it off.

**NEVER** let clothing, potholders, or other flammable materials come in contact with or too close to any burner or burner grate until it has cooled. Fabric may ignite and result in personal injury.

Use only dry potholders: moist or damp potholders on hot surfaces may cause burns from steam. **DO NOT** use a towel or other bulky cloth in place of potholders. **DO NOT** let potholders touch hot burners or burner grates.

For personal safety, wear proper apparel. Loose fitting garments or hanging sleeves should never be worn while using this appliance. Some synthetic fabrics are highly flammable and should not be worn while cooking.



# IMPORTANT SAFETY INSTRUCTIONS

## READ AND SAVE THESE INSTRUCTIONS

**DO NOT** use aluminum foil to line any part of the rangetop. Use of a foil liner could result in a shock or fire hazard, or the obstruction of the flow of combustion and ventilation air. Foil is an excellent heat insulator and heat will be trapped beneath it. This will upset the cooking performance and can damage the finish of the rangetop.

### WARNING

The appliance is for cooking. Based on safety considerations, never use the rangetop to warm or heat a room. Doing so may result in carbon monoxide poisoning and overheating of the unit. Also, such use can damage the rangetop parts.

When using the rangetop: **DO NOT TOUCH THE BURNER GRATES OR THE IMMEDIATE SURROUNDING AREA.** Areas adjacent to the burners may become hot enough to cause burns.

Never leave the rangetop unattended when using high flame settings. Boil overs cause smoking and greasy spillovers that may ignite. Also, if the burner flames and igniter are smothered with spillage, unburned gas will escape into the room. See *page 1* regarding gas leaks.

Only certain types of glass, heatproof glass-ceramic, ceramic, earthenware, or other glazed cookware are suitable for cooking on the rangetop burners. This type of cookware may break with sudden temperature changes. Use only on low or medium heat settings according to the utensil manufacturer's directions.

**DO NOT** heat or warm unopened food containers. Build-up of pressure may cause the container to burst and cause injury.

During cooking, set the burner control so that the flame heats only the bottom of the pan and does not extend beyond the bottom of the pan.

Use caution to ensure that drafts like those from forced air vents or fans do not blow flammable material toward the flames or push the flames so that they extend beyond the edges of the pot.

Always use pots and pans that have flat bottoms large enough to cover the burner. The use of undersized pots and pans could expose a portion of the flame and may result in ignition of clothing.

To minimize the risk of burns, ignition of flammable materials and unintentional spillage, position handles of pots and pans inward so they do not extend over adjacent work areas, cooking areas, or the edge of the rangetop.

### WARNING

Avoid using high flame setting with a pan larger than the grate or with one that spans more than one burner, such as a griddle, for prolonged periods of time. This can result in poor combustion that generates harmful by-products.

**DO NOT** use pots or pans on the grill plate accessory (purchased separately). Bakeware, such as large casserole pans, cookie sheets, etc., should never be used on the rangetop.

**DO NOT** use flammable cleaners to clean the rangetop.

Hold the handle of the pan to prevent movement when stirring or turning food.

Remove the optional cutting board or griddle cover accessory, which is stored on top of the griddle plate, before operating the griddle or any adjacent burners.

**GREASE IS FLAMMABLE.** Let hot grease cool before attempting to handle it. Avoid letting grease deposits collect. Clean after each use.

For proper lighting and performance of the burners, keep the igniter ports clean. It is necessary to clean the ports when there is a boil over or when the burner does not light even though the electronic igniters activate. Clean the rangetop with caution. Avoid steam burns; **DO NOT** use a wet sponge or cloth to clean the rangetop while it is hot. Some cleaners produce noxious fumes if applied to a hot surface. Follow directions provided by the cleaner manufacturer.

### WARNING

After a spill or boil over, turn off the burner and using caution due to possible hot surfaces, clean around the burner and burner ports. After cleaning, check for proper operation.





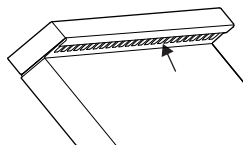
# IMPORTANT SAFETY INSTRUCTIONS

## READ AND SAVE THESE INSTRUCTIONS

Be sure all rangetop controls are turned off and the rangetop is cool before using any type of aerosol cleaner on or around the rangetop. The chemical that produces the spraying action could, in the presence of heat, ignite or cause metal parts to corrode.

**DO NOT** obstruct the flow of combustion or ventilation air.

### WARNING



**DO NOT block** or obstruct the flow of air through the ventilation openings. The vent is located at the back of the appliance. The vent needs to be unobstructed and

open to provide necessary airflow that is important for proper performance.

**DO NOT** touch vent area while the appliance is on and for several minutes after the appliance is off. Some parts of the vent and surrounding areas become hot enough to cause burns. Allow appliance sufficient time to cool before touching or cleaning vent areas.

**DO NOT** position plastic or other heat-sensitive items on or near the vent. These items could melt or ignite.

Service should only be done by authorized technicians. Technicians must disconnect the power supply before servicing this unit.

**DO NOT** use the grill plate accessory for cooking excessively fatty meats or products which promote flare-ups.

When cooking fatty or oily foods on burners, the grill, or the griddle, adjacent gas burners can ignite airborne fumes. Use caution to avoid burns.

To avoid a fire hazard, grease accumulation must be prevented by frequently cleaning the ventilation hood and filters.

In case of fire or when intentionally “flaming” liquor or other spirits on the rangetop, follow manufacturer’s instructions. Use caution when cooking foods with high alcohol content (e.g. rum, brandy, bourbon). Alcohol evaporates at high temperatures. There is a risk of burning as the alcohol vapors may catch fire. Use only small quantities of alcohol in foods.

**DO NOT** store or use corrosive chemicals, vapors, flammables, or nonfood products in or near this appliance. It is specifically designed for use when heating or cooking food. The use of corrosive chemicals while heating or cleaning will damage the appliance and could result in injury.

### WARNING

This appliance should not be installed with a ventilation system that directs air in a downward direction toward the range. This type of ventilation system may cause ignition and combustion problems with the appliance resulting in personal injury, property damage, or unintended operation. Ventilating systems that direct the air upwards do not have any restriction.

### WARNING

#### **State of California Proposition 65 Warnings:**

This product contains chemicals known to the State of California to cause cancer, birth defects or other reproductive harm.

# Description

## Parts Identification

### Control Panel Identification

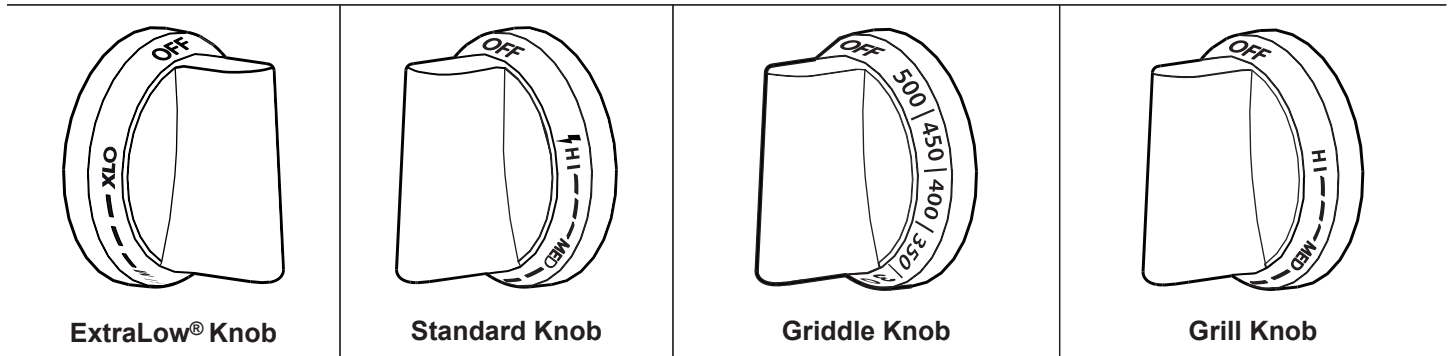
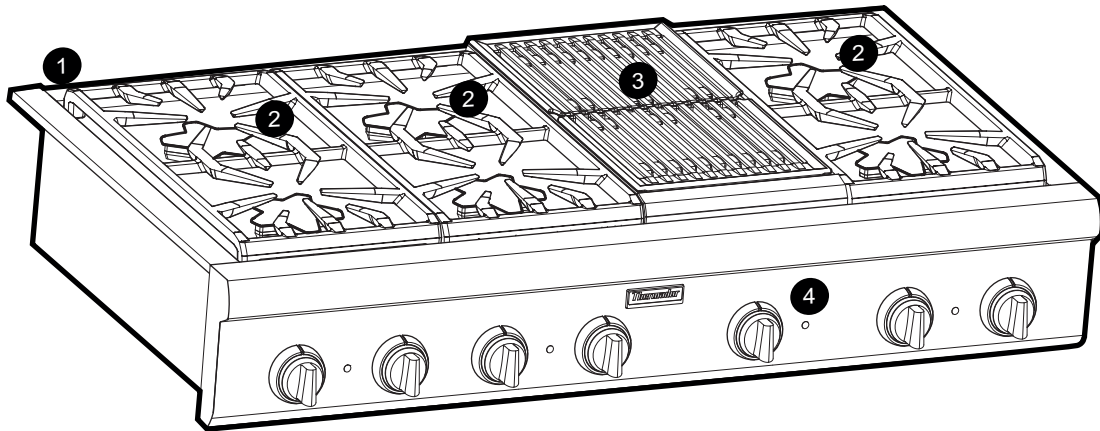


Table 1: Knob Identification

### Rangetop Identification

Model shown is 48" with Grill Option (models will vary).



1. Flush Island Trim (included) or Low Back guard (purchased separately)
2. Burner Grates & Burners
3. Grill or Griddle (options)
4. Control Panel

Figure 1: Rangetop Identification

# Before You Begin

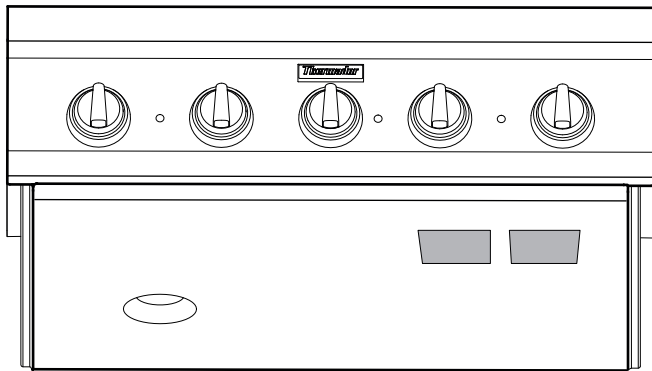
## Getting Started

Remove all tape and packaging before using the appliance. Destroy the packaging after install. Never allow children to play with packaging material.

## Data Rating Label

**Record the Model and Serial number on *page 25*.** The model and serial numbers are found on the Rating Label Plate. The Rating Label Plate is located on the front, underside of the chassis, as shown in *Figure 2*.

The model and serial number must be provided when calling Customer Support for assistance. Enter this information on the Product Registration Card included with this product then mail it to the indicated address.



**Figure 2: Data Rating Plate**

## Surface Burners

1. Ensure that the burner caps are correctly seated on the burner bases of the range's cooktop (see *page 9*).
2. Turn on each burner to check for proper flame color. See "*Flame Description*" on *page 11* for details.

The THERMADOR PROFESSIONAL® rangetop occasionally has a smell or smoke when first used. These smells or smoke comes from the burning off of manufacturing residues and is typical of any new appliance regardless of manufacturer.

Please note that some pets or humans can be sensitive to the odors created during any high heat cooking whether it is a manufacturing residue burn off or food so it is recommended that those potentially affected be removed from the kitchen area.

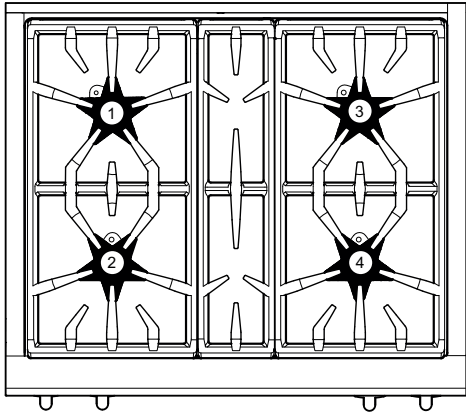
### **IMPORTANT:**

**All knobs must be set to OFF before powering up the rangetop.**

To prevent unintended operation at power up, please set all knobs to OFF.

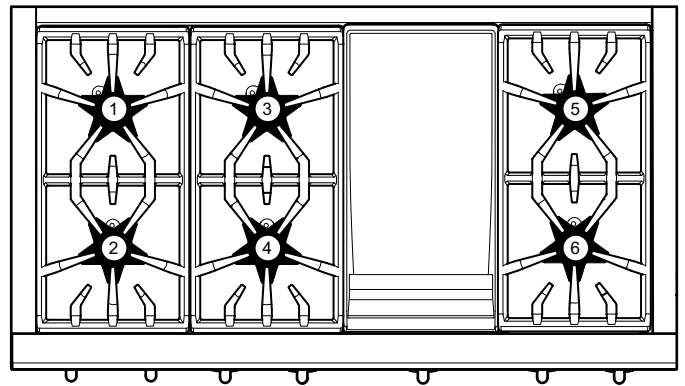
# Using The Cooktop

## Sealed STAR® Burners



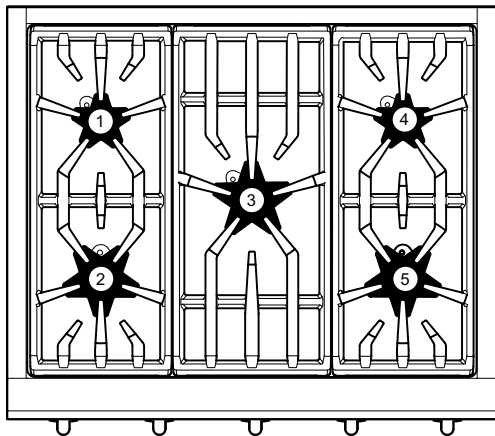
1. Left rear burner (Natural Gas 18000 BTUs, LP 15000 BTUs) — ExtraLow® Burner
2. Left front burner (Natural Gas 18000 BTUs, LP 15000 BTUs) — ExtraLow Burner
3. Right rear burner (Natural Gas 18000 BTUs, LP 15000 BTUs)
4. Right front burner (Natural Gas 18000 BTUs, LP 15000 BTUs)

Figure 3: Model PCG304



1. Left rear burner (Natural Gas 18000 BTUs, LP 15000 BTUs) — ExtraLow® burner
2. Left front burner (Natural Gas 18000 BTUs, LP 15000 BTUs) — ExtraLow burner
3. Center rear burner (Natural Gas 18000 BTUs, LP 15000 BTUs)
4. Center front burner (Natural Gas 18000 BTUs, LP 15000 BTUs)
5. Right rear burner (Natural Gas 18000 BTUs, LP 15000 BTUs)
6. Right front burner (Natural Gas 18000 BTUs, LP 15000 BTUs)

Figure 5: Model PCG364, PCG366, PCG486



1. Left rear burner (Natural Gas 8000, LP 6000 BTUs) — ExtraLow® Burner
2. Left front burner (Natural Gas 10000, LP 9100 BTUs)
3. Center burner (Natural Gas 15000, LP 11000 BTUs)
4. Right rear burner (Natural Gas 8000, LP 6000 BTUs)
5. Right front burner (Natural Gas 14000 BTUs, LP 15000 BTUs) — ExtraLow Burner

Figure 4: Model PCG305

## Burner Cap Placement

Each cap has a letter (B, D, or F) cast in the underside of the cap that corresponds to a letter (B, D, or F) cast in the burner base that is attached to the appliance.

- Place each burner cap on its correct burner base per its corresponding letter designation. See figure below.

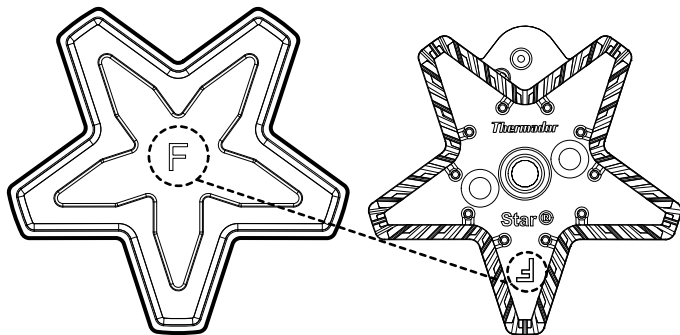


Figure 6: STAR Burner Components

- Place burner cap gently on top of base so that the prongs of the burner base fit snugly into the groove of the burner cap.

## Burner Cap Placement

The burner caps must be properly placed on the burner bases for the cooktop to function properly. If the burner cap is not properly placed, one or more of the following problems may occur:

- Burner flames are too high.
- Flames shoot out of burners.
- Burners do not ignite.
- Burner flames light unevenly.
- Burner emits gas odor.

### ⚠ WARNING

To prevent flare-ups and avoid the creation of harmful by-products, do not use the cooktop without all burner caps and all burner grates properly positioned.

### ⚠ WARNING

To prevent burns, do not touch burner caps or grates while hot. Turn the cooktop off and allow the burners to cool.

## Checking Burner Cap Placement

- Check each burner to make sure there is no gap between the burner cap and burner base. See *Figure 7: Correct and Incorrect Burner Cap Placement* to see examples of correct and incorrect placements of the burner cap.

- You may gently try to move the burner caps from side to side to check if the caps are properly placed on the burner bases. When properly placed, each burner cap will rest flat on top of its burner base, and completely cover the star-shape of the burner base when viewed from the top as shown in *Figure 7*.

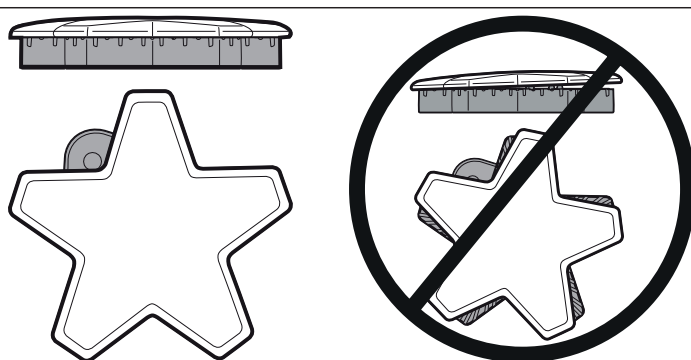


Figure 7: Correct and Incorrect Burner Cap Placement

## Burner Grate Placement

Ensure the burner grates are properly placed on the cooktop before using the surface burners. The grates are designed to rest inside the recess on the cooktop.

To install burner grates, place grates flat-side down and align into the cooktop recess. Grates should rest flush against each other and against the sides of the recess.

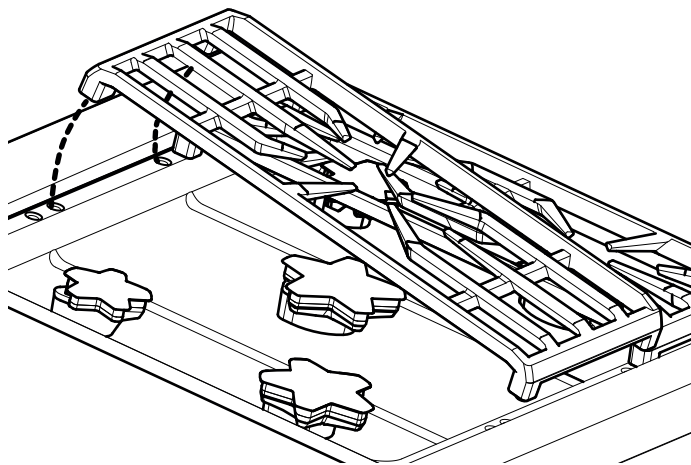


Figure 8: Burner Grate Placement

## Control Knobs

The control knobs for two sealed gas burners, one in front and one in the rear, are located directly in front of and below the pair of burners on the control panel. The symbol above each control knob identifies the burner position on the cooktop.

On all models, the two left burners have the exclusive ExtraLow<sup>®</sup> feature, the remaining burners are standard. Each burner has its own control knob.

## Operation of the Burners

1. Press in on the knob and turn it counter-clockwise to the **HI** setting on the knob.
  - The igniter for the selected burner clicks and sparks.
  - After burner ignition, the igniter stops clicking.
2. Rotate the knob to any flame setting between **HI** and **SIM**.
  - The blue signal light, between the burner knobs, will light when adjacent burners are lit. The light will remain on until the adjacent burners are turned off.

## ExtraLow® Burners

The controls for the ExtraLow burners have flame settings even lower than the standard **SIM** settings.

The drawing shows that the control knob has an additional range between the **SIM** and **XLO** settings. When the knob is set within this range, the flame cycles off and on. By varying the length of time the flame is off and on, the heat is reduced even further to cook delicate foods. For example, these very low settings are suitable for simmering and poaching, melting chocolate and butter, holding cooked foods at temperatures without scorching or burning, etc.

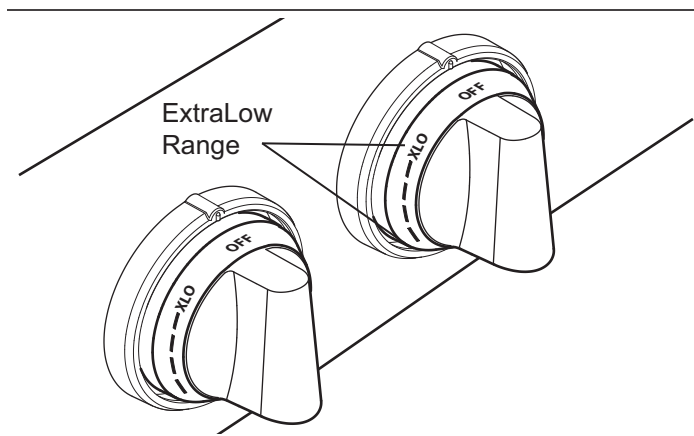


Figure 9: ExtraLow Burner Control Knob

### Operation of the ExtraLow Burners

- **XLO**, the very lowest setting, is achieved by cycling the flame **ON** for approximately 7 seconds and **OFF** for 53 seconds of each minute.
- When the knob is set just below the **SIM** setting, the flame will cycle **ON** for approximately 53 seconds and **OFF** for 7 seconds of each minute.
- To vary the amount of low heat to suit the food and quantity, the control can be set anywhere within the **SIM** and **XLO** range marked on the knob.

### ExtraLow Techniques

- The type and quantity of food affects which setting to use.
- The pan selected affects the setting. Its size, type, material, and whether a lid is used, all affect the consistency of the cooking temperature.
- To maintain a low or simmer heat, bring food to a rolling boil. Stir well, then cover the pan and lower the heat to a setting just below **SIM**.
- Check periodically to see if the control knob should be turned to another setting.
- If a large pan is used, the simmer action may occur mainly in the center of the pan. To equalize the temperature throughout the food, stir the food around the outer edges of the pan into the food in the center.
- It is normal to stir food occasionally while simmering. This is especially important when simmering for several hours, such as for a homemade spaghetti sauce or beans.
- When lowering the flame setting, adjust it in small steps.
- If the setting is too low to hold a simmer, bring the food back to a boil before re-setting to a higher heat.
- It is normal not to see simmer bubbles immediately after the food has been stirred.
- There may be bubbling when the flame cycles **ON** and no bubbles when the flame is **OFF**. Even when the flame is **OFF**, there will be steam and a slight quiver on the liquid's surface.

### Automatic Re-Ignition

Each burner has its own electronic igniter that sparks when the burner is turned on. Each burner should light in 4 seconds or less. If a burner does not light, check to see that the cap is positioned correctly on the base.

If any one or more burners blow out, the electronic igniter automatically activates to re-light the flame. **Do not touch the burners when the igniters are active.**

#### ⚠ CAUTION

**DO NOT** touch the STAR® burners when the igniters are sparking.

#### IMPORTANT:

- For proper combustion do not use the cooktop without the burner grates in place.
- There is a slight sound associated with gas combustion and ignition. This is a normal condition.
- On cooktops using propane gas (LP), a slight “pop” sound may be heard at the burner ports a few seconds after the burner has been turned off.

## Power Failure

- In the event of a power failure, only the standard burners can be manually lit. It is necessary to light each one individually.
- If the cooktop is being used when the power failure occurs, turn **all** knobs to the **OFF** position.
- The standard burners can be lit by holding a match at the ports and turning the control knob to the **HI** position. Wait until the flame is burning all around the burner cap before adjusting the flame to the desired height.
- The ExtraLow<sup>®</sup> burners cannot be used during a power failure. **Be sure to turn them off.**
- If an ExtraLow burner is on when a power failure occurs, it cannot be turned back on until the knob is first turned off.
- The griddle cannot be used during a power failure.
- If you smell gas, refer to safety precautions listed on *page 2*.

### **⚠ WARNING**

In the event of a power failure, turn all knobs to the **OFF** position. Only the Standard burners can be lit manually.

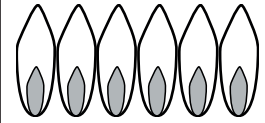
## Flame Height

- The correct flame height depends on 1) size and material of pan being used; 2) food being cooked; and 3) amount of liquid in the pan.
- Never extend the flame beyond the base of the pan.
- Use a low or medium flame for pan materials that conduct the heat slowly, such as porcelain coated steel or glass-ceramic.

## Flame Description

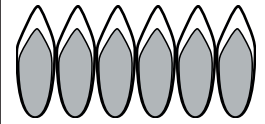
### **Yellow Flames:**

Further Adjustment is required.



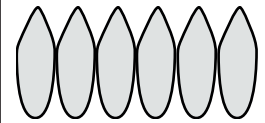
### **Yellow Tips on Outer Cones:**

Normal for LP Gas



### **Soft Blue Flames:**

Normal for Natural Gas



If the flame is completely or mostly yellow, verify that the regulator is set for the correct fuel. After adjustment, retest.

Some orange-colored streaking is normal during the initial start-up. Allow unit to operate 4-5 minutes and re-evaluate before making adjustments.

**Figure 10: Flame Characteristics**

- The burner flame color should be blue with no yellow on the tips. It is not uncommon to see orange in the flame color; this indicates the burning of airborne impurities in the gas and will disappear with use.
- With propane (LP) gas, slight yellow tips on the primary cone are normal.
- The flame should burn completely around the burner cap. If it doesn't, check that the cap is positioned correctly on the base and that the ports are not blocked.
- The flame should be stable with no excessive noise or fluttering.

# Cookware Recommendations

## ▲ WARNING

To avoid risk of serious injury, damage to appliance or cookware, please observe the following:

- Bakeware, such as large casserole pans, cookie sheets, etc. should never be used on the cooktop.
- Placement of large stock pots should be staggered when used on the cooktop.

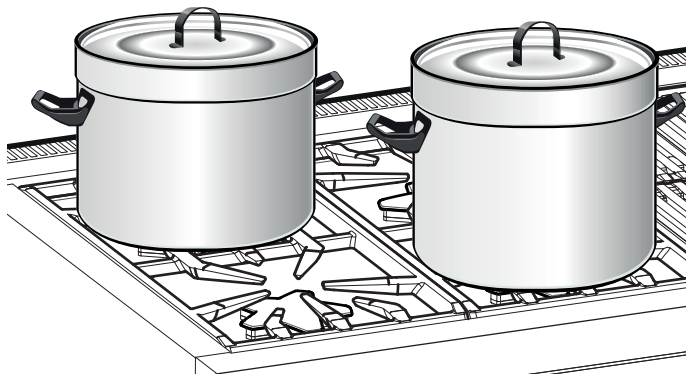


Figure 11: Stagger Pots

- Select the base diameter to match the diameter of the flame. The diameter of the flame should be the same size as the pan base or slightly smaller. Oversize or under size pans sacrifice cooking performance. A 5½" (140 mm) base size is generally the smallest recommended.
- Avoid using high flame setting with a pan larger than the grate or with one that spans more than one burner, such as a griddle, for prolonged periods of time. This can result in poor combustion that generates harmful by-products.
- Balance is important for stability and even cooking. The handle must not be heavier than the pan and tilt it unevenly. A pan must sit level on the grate without rocking or wobbling.

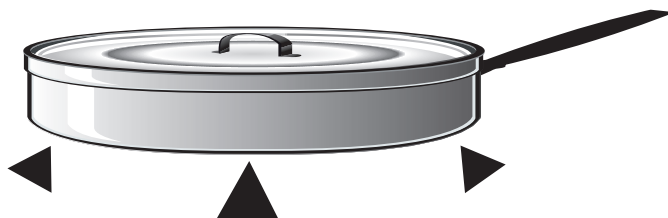


Figure 12: Balanced Pan

- Food packaged in aluminum foil should not be placed directly on the burner grate. Aluminum foil can melt during cooking.
- Do not let plastic, paper or cloth come in contact with a hot burner grate. They may melt or catch fire.

- Never let a pan boil dry. This can damage your pan and the cooking surface.
- Professional quality pans with metal handles are recommended because plastic handles can melt or blister if the flame extends up the side of the pan. Professional quality pans are found at restaurant supply stores and gourmet specialty shops. All cookware should have these characteristics: good heat conductivity, good balance, correctly sized base diameter, a heavy, flat base, and a proper fitting lid.
- For best cooking results, the flame should be contained under the bottom of the pan.
- Aluminum and copper are pan materials that conduct the heat quickly and evenly. These metals are sometimes attached to the base or in the core between stainless steel.
- A heavy, flat base is more apt to remain flat when heated. Pan bases that are warped, dented, ridged or too lightweight will heat unevenly. Heat and cool pans gradually to avoid sudden temperature changes which tend to distort cookware. **DO NOT** add cold water to a hot pan.

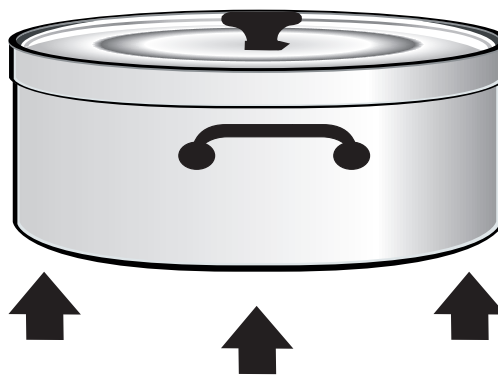


Figure 13: Flat Base Pan

- A properly fitting lid will shorten cooking time and make it possible to use lower heat settings.

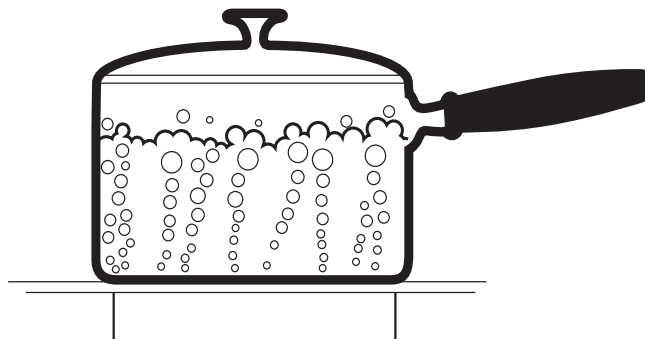


Figure 14: Covered Pan



# Specialty Cookware

## Woks

- Either flat-based or round-bottom woks with the accessory ring can be used on all models. Round bottom woks must be used with a support ring. The wok pan and the porcelain-coated cast iron wok support ring must be purchased separately.

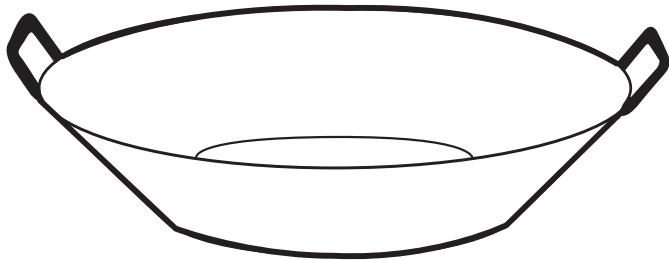


Figure 15: Flat-Bottom Wok Pan

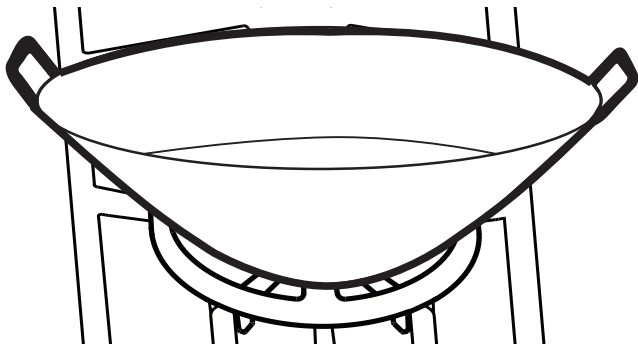


Figure 16: Round-Bottom Wok in Support Ring

## Canners and Stock Pots

- Select one with a base diameter that extends no more than 2" (51 mm) beyond the grate.

## Standard Size Water Bath Canner

- 21 to 22 quarts (19.95 to 20.9 liters), with an 11" to 12" base (279 – 305 mm) and a 9" to 11" depth (229 – 279 mm).

## Standard Size Pressure Canner

- 8 to 22 quarts (7.6 to 20.9 liters), with an 8" to 11" base (203 – 279 mm) and a 6½" to 12" depth (165 – 305 mm).

## Canning Tips

- A flat base pan is preferred to one with a concave, convex or rippled base.
- When using two canners at the same time, use staggered burners. Do not block air to the burners. A flame needs the right amount of air for complete combustion.
- Use a cover on a canner when bringing the contents to a boil.
- Once the contents have reached a boil on HI, use the lowest flame possible to maintain the boil or pressure.
- Canning produces a large amount of steam. Take precautions to prevent burns.

## Suggestions For Using the Surface Burner Cooking Recommendations

- Use the chart beginning on *page 14* as a guide. The settings you use will vary depending on the pans selected and the starting temperature of the food.
- On the chart, the "Finish Setting" has been separated for the standard and ExtraLow burners. There may or may not be a change between the two burner settings.
- The ExtraLow<sup>®</sup> setting can be either a cooking or a holding setting.
- Raise or lower the flame setting gradually. Allow time for the pan and the food to adjust to the new setting.

# Surface Burner Cooking Recommendations

FOOD	START SETTING	FINISH SETTING STANDARD BURNERS	FINISH SETTING XLO BURNERS
<b>BEVERAGES</b> Cocoa	<b>MED</b> – heat milk, cover	<b>SIM</b> – finish heating	<b>XLO</b> <sup>®</sup> – keep warm, cover*
<b>BREADS</b> French Toast, Pancakes, Grilled Sandwiches	<b>MED</b> – preheat skillet	<b>SIM</b> to <b>MED</b> – cook	Same as for Standard Burners
<b>BUTTER</b> Melting	<b>SIM</b> – to start melting		Allow 5 – 10 minutes to melt
<b>CEREALS</b> Cornmeal, Grits, Oatmeal	<b>HI</b> – cover, bring water to a boil, add cereal	<b>SIM</b> to <b>MED</b> – finish cooking according to package directions	Same as for Standard Burners <b>XLO</b> – to hold, cover*
<b>CHOCOLATE</b> Melting	<b>XLO</b> – may be stirred to hasten melting		<b>XLO</b> – allow 10 – 15 minutes to melt <b>XLO</b> – to hold*
<b>DESSERTS</b> Candy	<b>SIM</b> to <b>MED</b> – cook following recipe	<b>SIM</b> to <b>MED</b>	Same as for Standard Burners
Pudding and Pie Filling Mix	<b>SIM</b> to <b>MED</b> <b>SIM</b> – cook according to package directions	<b>SIM</b>	Same as for Standard Burners
Pudding	<b>SIM</b> to <b>MED</b> <b>SIM</b> – bring milk to a boil	<b>SIM</b>	Same as for Standard Burners
<b>EGGS</b> Cooked in Shell	<b>MED HI</b> – cover eggs with water, add lid, bring to boil		<b>XLO</b> – cook 3 – 4 minutes for soft cooked; or 15 – 20 minutes for hard cooked
Fried, Scrambled	<b>SIM</b> to <b>MED</b> – melt butter, add eggs	<b>SIM</b> finish cooking	Same as for Standard Burners <b>XLO</b> – to hold for a short period*
Poached	<b>HI</b> – bring water to the boiling point, add eggs	<b>SIM</b> to <b>MED</b> – finish heating	Same as for Standard Burners
<b>MEAT, FISH, POULTRY</b> Bacon, Sausage Patties	<b>MED HI</b> – until meat starts to sizzle	<b>SIM</b> to <b>MED</b> – finish cooking	Same as for Standard Burners
Braising: Swiss Steak, Pot Roast, Stew Meat	<b>MED HI</b> – melt fat, then brown on <b>MED HI</b> , add liquid, cover		<b>XLO</b> – Simmer until tender
Quick Frying: Breakfast Steaks	<b>MED HI</b> – preheat skillet	<b>MED HI</b> – fry quickly	Same as for Standard Burners
Frying: Chicken	<b>MED HI</b> – heat oil, then brown on <b>MED</b>	<b>SIM</b> – cover, finish cooking	Same as for Standard Burners
Deep Frying: Shrimp	<b>MED HI</b> – heat oil	<b>MED</b> to <b>MED HI</b> – to maintain temperature	Same as for Standard Burners
Pan Frying: Lamb Chops, Thin Steaks, Hamburgers, Link Sausage	<b>MED HI</b> – preheat skillet	<b>MED</b> – brown meat	Same as for Standard Burners <b>XLO</b> – to hold

\* These foods should be stirred occasionally.

FOOD	START SETTING	FINISH SETTING STANDARD BURNERS	FINISH SETTING XLO BURNERS
Poaching: Chicken, whole or pieces, Fish	<b>MED HI</b> – Cover, bring liquids to a boil		To finish cooking
Simmering: Stewed Chicken, Corned Beef, Tongue, etc.	<b>HI</b> – cover, bring liquid to a boil		<b>XLO</b> <sup>®</sup> – to simmer slowly <b>XLO</b> – to hold, cover
<b>PASTAS</b> Macaroni, Noodles, Spaghetti	<b>HI</b> – bring water to a boil, add pasta	<b>MED HI to HI</b> – to maintain a rolling boil	Same as for Standard Burners
<b>POPCORN</b> (use a heavy, flat bottom pan)	<b>HI</b> – cover, heat until kernels start to pop	<b>MED HI</b> – finish popping	Same as for Standard Burners
<b>PRESSURE COOKER</b> Meat	<b>MED HI to HI</b> – build up pressure	<b>SIM to MED</b> – maintain pressure	Same as for Standard Burners
Vegetables	<b>HI</b> – build up pressure	<b>SIM to MED</b> – maintain pressure	Same as for Standard Burners
<b>RICE</b>	<b>HI</b> – cover, bring water and rice to a boil	<b>SIM</b> – to maintain Low Boil. Cover and cook until water is absorbed	Same as for Standard Burners <b>XLO</b> – to hold, cover
<b>SAUCES</b> Tomato Base	<b>MED HI</b> – cook meat/vegetables, follow recipe	<b>SIM</b> – to maintain simmer	<b>XLO</b> – simmer to thicken sauce, uncovered
White, Cream, Bernaise,	<b>MED</b> – melt fat, follow recipe	<b>SIM</b> – finish cooking	<b>XLO</b> – to hold, cover*
Hollandaise	<b>XLO</b>		<b>XLO</b> – to hold, lowest setting for short period, stir frequently
<b>SOUPS, STOCK</b>	<b>HI</b> – cover, bring liquid to a boil	<b>SIM</b> to maintain simmer	Simmer <b>XLO</b> – to hold, cover*
<b>VEGETABLES</b> Fresh	<b>HI</b> – cover, bring water and vegetables to a boil	<b>SIM to MED</b> – cook 10 minutes, or until tender	Same as for Standard Burners <b>XLO</b> – to hold, cover
Frozen	<b>HI</b> – cover, bring water and vegetables to a boil	<b>SIM to MED</b> – cook according to package directions	Same as for Standard Burners
Deep Frying	<b>HI</b> – heat oil	<b>MED to MED HI</b> – maintain frying temperature	Same as for Standard Burners
In Pouch	<b>HI</b> – bring water and pouch to a boil	<b>SIM to MED</b> – cook according to package directions	Same as for Standard Burners
Saute	<b>HI</b> – heat oil or melt butter, add vegetables	<b>SIM to MED</b> – cook to desired doneness	Same as for Standard Burners
Stir Fry	<b>HI</b> – heat oil, add vegetables	<b>HI to MED HI</b> – finish cooking	Same as for Standard Burners

\* These foods should be stirred occasionally.

# Using the Electric Griddle

(available on some models)

## Description

The built-in griddle is made of restaurant-quality aluminum with a non-stick coating. This produces a surface with even heat that is easy to clean.

A maple chopping block, stainless steel cover, and coated-aluminum grill plate are available as accessories and are purchased separately. The maple chopping block and stainless steel cover are sized to fit on top of the surface when the griddle is not being used. The coated-aluminum grill plate accessory is designed to replace the griddle plate. See the instructions that come with the accessory for details.

The maple chopping block and stainless steel cover must be removed before turning the griddle on.

### ⚠ CAUTION

The griddle element is hot after use. Allow sufficient time for griddle components to cool before cleaning.

### ⚠ WARNING

To avoid risk of injury, **NEVER** operate griddle without the griddle plate installed. **NEVER** use griddle in a manner that is not prescribed by the Use and Care Guide.

The griddle plate (or grill plate accessory) must always be in place when the griddle is turned on.

- The electric griddle element is rated 120 volts AC, 1,630 watts.
- The griddle is electronically controlled with temperatures marked on the knob from 150 – 500°F (66 – 260°C).
- There are no fixed settings on the knob.
- Press and turn the knob clockwise to the temperature setting.

## Preparing the Griddle

If the range is equipped with an electric griddle, check the griddle frame adjustment by pouring two tablespoons of water on the back of the griddle plate. The water should slowly roll into the grease tray. If not, adjust the two screws under the back of the frame. Start with one half turn counterclockwise (CCW) of the screws. Further adjustment should be made by one-quarter turn until water slowly flows into the grease tray (*Figure 17*).

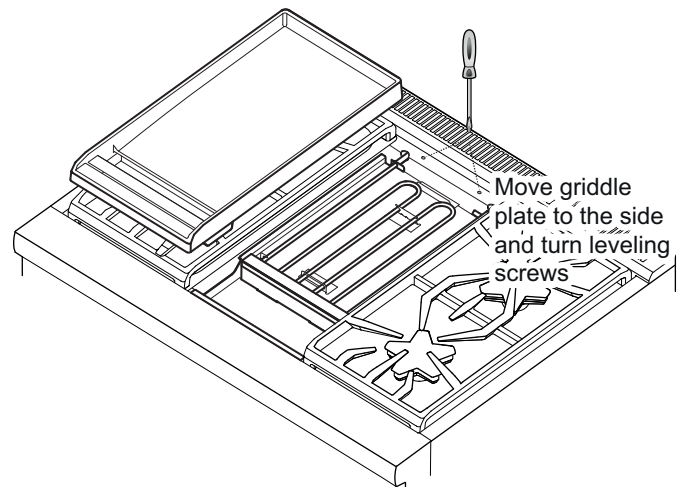


Figure 17: Griddle Plate Leveling Screws

The griddle plate should be washed with warm soapy water then rinsed with clear water prior to use. The griddle may be used without any butter, margarine or oil. However, a very small amount may be used to flavor foods.

**DO NOT** use metal utensils on the griddle surface. Care should be taken that the surface is not gouged when utensils are used. **DO NOT** cut directly on the griddle plate.

**NOTICE:** Griddle/Grill performance may vary if there is an excessive amount of airflow in the vicinity of the appliance. The excessive airflow could be from an air-conditioning register or ceiling fan blowing at the cooktop. This could create longer than normal heat-up time, or it could cause the Griddle/Grill temperature to be higher or lower than the knob setting.

**NOTE:** Having a properly installed ventilation hood is not considered a source of excessive airflow.

## Cooking on the Griddle

1. Turn the knob to the appropriate cooking temperature to preheat the griddle.
2. Preheat until the griddle light goes off.
3. Add butter, margarine, oil or shortening if desired.

## Griddle Cooking Recommendations

FOOD *	SETTING
Eggs	325°F – 350°F (160°C – 180°C)
Bacon, Breakfast Sausage	450°F – 475°F (230°C – 245°C)
Toasted Sandwiches	375°F – 400°F (190°C – 200°C)
Boneless Chicken Breasts	425°F – 450°F (220°C – 230°C)
Boneless Pork Chops, 1" (25.4 mm) thick	425°F – 450°F (220°C – 230°C)
Steaks, 1" (25.4 mm) thick	450°F – 475°F (230°C – 245°C)
Ground Beef Patties, 6 ounces	450°F – 475°F (230°C – 245°C)
Ground Turkey Patties, 6 ounces	450°F – 475°F (230°C – 245°C)
Hot Dogs	350°F – 375°F (180°C – 190°C)
Ham Slices, ½" (12.7 mm) thick	350°F – 375°F (180°C – 190°C)
Pancakes, French Toast	400°F – 425°F (200°C – 220°C)
Potatoes, Hash Browns	400°F – 425°F (200°C – 220°C)

\* Level foods to a uniform thickness to ensure even cooking.

Use the lowest cooking temperature possible. Recipes may need to be modified as the non-stick coating browns and sears at lower temperatures.

## Griddle Grease Tray

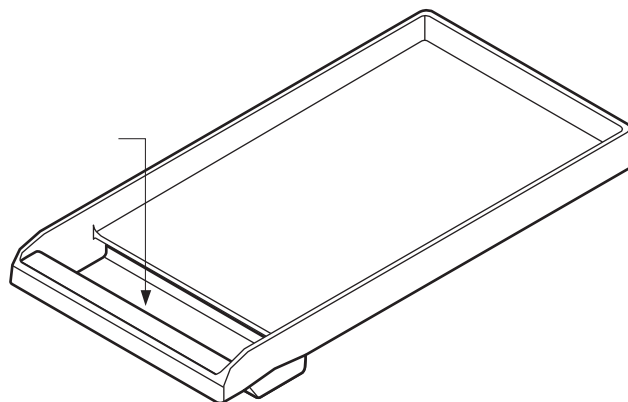


Figure 18: Grease Tray

- Clean the tray after every use. When removing the tray, use care when tipping it so that the contents do not spill.
- The griddle plate and its grease tray are dishwasher safe.
- After cooling, pour the grease into a grease-resistant container for disposal.

## Care and Cleaning the Griddle Plate

- **NEVER** flood a hot griddle plate with cold water. This can damage the griddle plate.
- **DO NOT** clean the griddle plate in a self-cleaning oven.
- Care should be taken to avoid scratching or gouging the surface.
  - **DO NOT** cut food directly on the griddle plate.
  - **DO NOT** use metal utensils.
  - Use plastic or wood utensils to avoid scratching the non-stick surface.
- The griddle plate is dishwasher safe, however, hand washing the griddle plate is recommended.

# Instructions for Seasoning the Griddle Plate

If the griddle plate seems to lose its non-stick abilities over time, the following instructions should help regain the griddle's non-stick properties. For optimal performance and long life of your griddle plate, follow these simple cleaning and seasoning instructions.

## Prepping the Griddle for Seasoning

The griddle plate must be clean and all residue removed before the griddle plate is seasoned.

1. Use a mixture of coarse salt and a small amount of white vinegar to buff off any residue from the griddle plate.

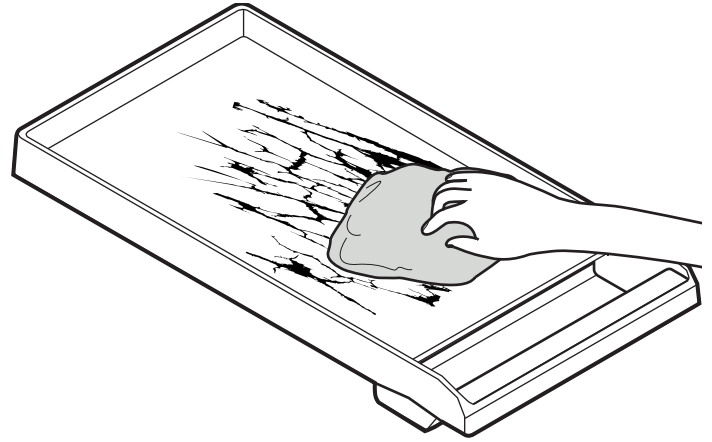


2. Rinse well with clean water.
3. Dry the griddle plate thoroughly.

## Griddle Seasoning

Seasoning is a process by which a layer of animal fat or vegetable oil is applied and baked into the cookware. The seasoning layer provides a non-stick surface for cooking.

1. Use a paper towel to apply a thin, even coating of lard, Crisco<sup>®</sup>, or olive oil to the griddle surface.



2. Bake the griddle plate in a 350°F oven for 1 hour.
3. Remove the griddle plate from the oven and allow to cool to room temperature.
4. Apply a second layer of fat or oil and bake at 350°F for 1 hour.
5. Repeat process at least one additional time – making 3 coats of oil or fat.

## After Seasoning

1. After cooking on your seasoned griddle, allow to cool and wipe clean with a damp cloth. Allow to dry.
2. Add a thin coating of oil or fat before storing your griddle in a cool, dry place.
3. Repeating this process will season the griddle and maintain non-stick properties. Performance will improve over time with more seasoning.
4. To strip the griddle to re-season, a mixture of salt and vinegar should be used to remove any oil layers from the previous seasoning process.

# Using the Electric Grill

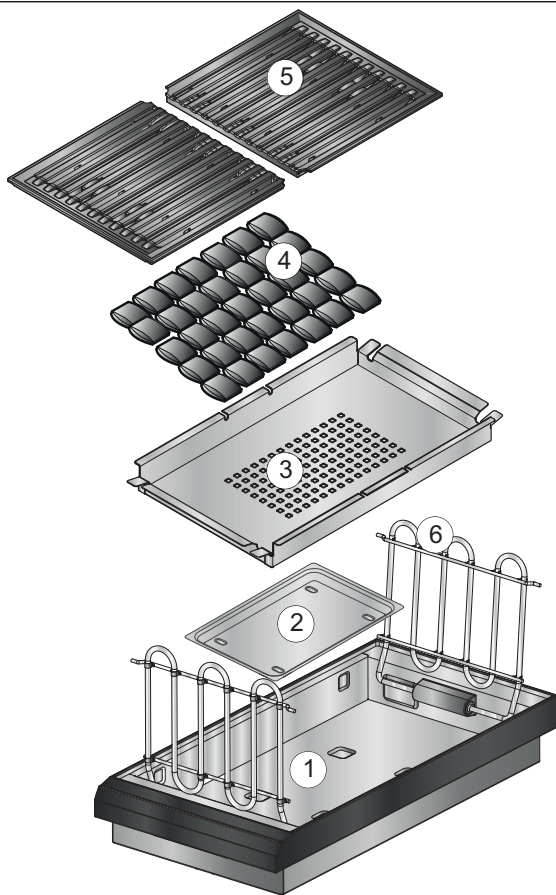
(available on some models)

## Description

The built-in grill is made of restaurant-quality cast iron grates. This produces a surface with even heat that is easy to clean.

A non-stick cast iron griddle plate (*PAGRIDDLEN*) is available as an accessory and may be purchased separately. See the instructions that come with the griddle plate accessory for more details.

## Assembling the Grill



1. Grill Housing
2. Drip Tray
3. Briquette Basket
4. Ceramic Briquettes
5. Grill Grate (x2)
6. Heating Element (x2)

1. Rotate heating elements (6) up and remove the briquette basket (3) stored inside the grill housing (1).
2. Place the drip tray (2) in the bottom of the grill housing (1). (Drip tray is packaged in the large cardboard box that was on top of the range.) Align the embosses of the drip tray (2) with the depressions on the bottom of the grill housing (1).
3. Place the briquette basket (3) in the grill housing (1).
4. Arrange the ceramic briquettes (4) on the briquette basket (3), in a single layer, with each briquette touching the edges of the surrounding briquettes. The ceramic briquettes should not contact the heating elements.
5. Fold both grill heating elements (6) down. The grill heating elements must lie flat. Supports should rest inside of side notches.
6. Install the grill grates (5). Ensure grates are seated level inside the grill housing (1).
  - The grill grates should be washed with warm soapy water then rinsed with clear water prior to use.

## Operating the Grill

### ⚠ WARNING

- To avoid risk of injury, **NEVER** operate grill without the grates or griddle plate accessory installed.
- **NEVER** leave grill unattended while cooking.
- Observe caution with oils and fats. Overheated oils and fats can easily cause fires.
- **DO NOT** use wood chips, lava rocks, or charcoal briquettes. Only use recommended ceramic briquettes (*PABRICKBKN*).
- **DO NOT** use dishes, pans, pots, or other cookware on the grill.
- **Never use aluminum foil to cover the grates or to line the grill.** It can damage the grill and cause a fire hazard if heat is trapped under it.
- Check grease tray before each use. Too much grease in the tray may cause a fire hazard.
- If flames appear, grease should be cleaned from grates, grease tray, briquette basket and other surfaces.
- Grease build up encourages flame and smoke development while cooking.
- Ceramic briquettes must be replaced when they begin to turn black. This means that they are saturated with fat and may smoke heavily during operation or the fat may catch fire.

## IMPORTANT:

- If flames appear while grilling, turn off heat and remove the food. Use caution to avoid any potential injury while removing food.
- Often, such flames will extinguish themselves within a few minutes once grease drippings have burned up. **DO NOT** leave the grill unattended until all flames are extinguished. If desired, flames can be extinguished by generously shaking baking soda or salt over them to smother fire.
- If flames appear, ceramic briquettes should be replaced and grease should be cleaned from grates, grease tray, briquette basket, and other surfaces before using the grill again. Built up grease which is allowed to remain encourages flame and smoke development while cooking.
- Moist food should be dried, before placing on grill.
- Marinated food may cause more smoke to be produced!
- During grilling, dripping fat may flare up briefly.

## WARNING

### TO AVOID RISK OF BURNS:

- Use proper utensils with long handles that allow the chef plenty of clearance from the heat and potential flare ups.
- **DO NOT** wear loose clothing while cooking.
- Never leave grill unattended while cooking.
- After each use, remove grease buildup from the grill surfaces and the trays below the grill to avoid risk of fire. Ventilation hoods should also be cleaned periodically as needed and as recommended by the User Manual as well as surrounding surfaces.
- Keep a fire extinguisher nearby and accessible.

3. During the initial use, heat the grill for about 10 minutes to eliminate manufacturing residues and smells.
4. For best results, allow the grill grates to preheat before placing food on them.

## CAUTION

Clean the grill after each use. Allow the appliance to cool before cleaning.

## Grilling Tips

- The grill should be preheated a minimum of 10 minutes before cooking. Depending on browning preference and the types of food being prepared, as much as 15 minutes of pre-heat time may be required.
- Soak wooden skewers in water a minimum 20 minutes before placing on the grill.
- Prior to grilling, you can coat the food with heat-resistant oil (e.g. peanut oil) or marinate it. Make sure not to use too much oil/marinade, as otherwise it may catch fire and generate thick smoke.
- Lay the food directly on the grill grates. **DO NOT** use aluminum foil or grill trays.
- Cured meat, such as ham or smoked pork chops, is not suitable for grilling. Unhealthy chemical compounds may form.
- To prevent flare-ups, remove excess fat from foods prior to grilling.
- **DO NOT** use cleaners on elements. Allow grease to burn off the elements.
- To soak up fat on the griddle plate, sprinkle coarse salt onto the grilling surface after use.

## Operation

1. Before turning on, make sure that there are ceramic briquettes in the appliance and both grill grates are correctly fitted. Turn on forced air ventilation.
2. Press and turn the knob to the desired temperature setting.
  - The grill is electronically controlled with power settings LOW through HIGH. There are no fixed settings on the knobs.
  - The two grill heating elements can be regulated separately. This allows you to grill food with different temperature requirements at the same time, or you can use one area to grill and the other to keep warm.



## Grill Cooking Recommendations

### IMPORTANT:

- **GRILL SHOULD NOT BE OPERATED WITHOUT PROPER VENTILATION.**
- **Foods with excessive fat or grease should not be prepared on an indoor grill. Grilling foods with high fat content (certain types of ground beef, sausage, etc) increases the chances of smoke and flames.**

FOOD*	SETTING**	COOK TIME (MINUTES)	NOTES
<b>BEEF</b>			
Hamburgers, ¾" (2 cm) (medium)	HIGH	12 – 14	Ready to turn once juices appear on the surface.
T-Bone Steak, 1½" (4 cm) (medium)	HIGH	20 – 22	Remove excess fat.
Ribeye or Sirloin, 1" (3 cm) (medium)	HIGH	10 – 12	Remove excess fat.
Kebabs, Steak (medium)	HIGH	24 – 28	Turn occasionally.
<b>PORK</b>			
Pork chops, ¾" (2 cm)	HIGH	16 – 20	Remove excess fat.
Sausages or Bratwurst	MED HIGH	16 – 20	Pierce before grilling.
Hot Dogs	HIGH	6 – 8	Place on grill horizontally.
<b>POULTRY</b>			
Legs and thighs	MED HIGH	34 – 38	Turn occasionally, remove excess skin.
Chicken wings, whole	MED HIGH	18 – 22	Turn occasionally.
Chicken breasts, ½" (1 cm), boneless	MED HIGH	20 – 24	Pound to an even thickness before cooking.
Kebabs, chicken	HIGH	30 – 33	Turn occasionally.
<b>SEAFOOD</b>			
Fish steak, 2" (6 cm)	MED HIGH	18 – 20	Brush with oil before grilling.
Fish fillet, ¾" (2 cm)	MED HIGH	16 – 20	Brush with oil before grilling.
Shrimp skewers	MED HIGH	10 – 14	Turn occasionally.
<b>PRODUCE</b>			
Portobello mushrooms	HIGH	8 – 10	Brush with oil.
Bell peppers, quartered	HIGH	8 – 10	Turn occasionally.
Eggplant, sliced, ½" (1 cm)	HIGH	8 – 10	Brush lightly with oil.
Tomatoes, halves	HIGH	8 – 10	Brush with oil.
Pineapple, sliced	HIGH	4 – 6	—
Peaches, halves	HIGH	4 – 6	—
<b>OTHER</b>			
Hamburger or hot dog buns	MED HIGH	4 – 6	Brush with butter.
Tofu, extra firm, sliced	MED HIGH	8 – 12	Skewer for easier grilling.

\* Level foods to a uniform thickness to ensure even cooking.

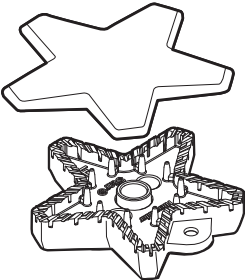
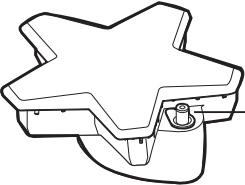
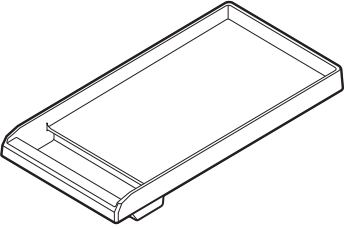
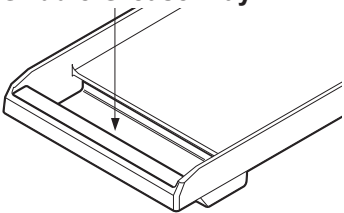
\*\* The values in the settings table should only be regarded as guidelines, since more or less heat may be required depending on the type and condition of the food.

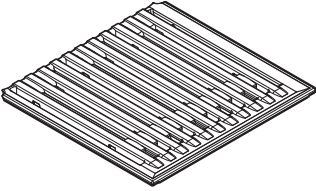
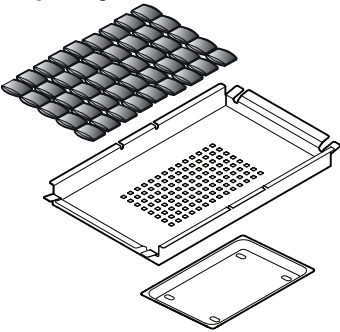
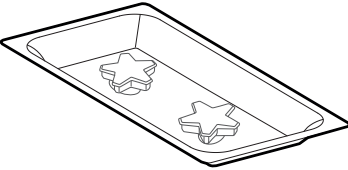
# Care and Maintenance

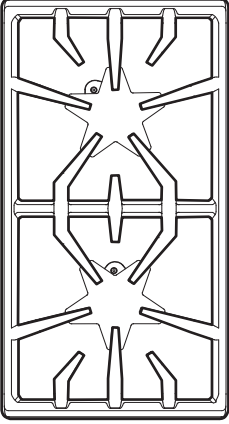
## Cleaning Recommendations

### Brand Names

The use of brand names is intended only to indicate a type of cleaner. This does not constitute an endorsement. The omission of any brand name cleaner does not imply its adequacy or inadequacy. Many products are regional in distribution and can be found in local markets. It is imperative that all cleaning products be used in strict accordance with the instructions on its package. The following chart gives directions for cleaning this rangetop.

PART/MATERIAL	CLEANING NOTES
<p><b>Brass Burner Base and Cast Iron Cap</b></p> 	<ul style="list-style-type: none"> <li>• A stiff nylon bristle tooth brush can be used to clean port openings.</li> <li>• After cleaning, make sure that the STAR<sup>®</sup> burner cap is correctly seated on the STAR burner base.</li> <li>• <b>DO NOT</b> scratch or gouge the port openings of burner cap.</li> <li>• <b>Suggested cleaners;</b> rinse and dry immediately:               <ul style="list-style-type: none"> <li>-- Hot water and detergent</li> <li>-- Bon-ami<sup>®</sup></li> <li>-- Barkeepers Friend<sup>®</sup></li> <li>-- Wright's<sup>®</sup> All Purpose Brass Polish</li> <li>-- Kleen King<sup>®</sup></li> </ul> </li> </ul>
<p><b>Igniters</b> Ceramic</p> 	<ul style="list-style-type: none"> <li>• <b>DO NOT</b> use sharp tools to scrape the igniters. The igniters are fragile. If an igniter is damaged, it may not light the burner.</li> <li>• <b>Suggested cleaners:</b> <ul style="list-style-type: none"> <li>-- Cotton swab dampened with soapy water</li> <li>-- Fantastik<sup>®</sup></li> </ul> </li> </ul>
<p><b>Control Knobs/ Metal Bezels/ Chrome</b></p>	<ul style="list-style-type: none"> <li>• <b>DO NOT</b> soak knobs.</li> <li>• <b>DO NOT</b> force knobs onto wrong valve shaft.</li> <li>• <b>Suggested cleaners;</b> rinse and dry immediately:               <ul style="list-style-type: none"> <li>-- Hot water and detergent</li> </ul> </li> </ul>
<p><b>Griddle</b> Aluminum with non-stick coating</p> 	<ul style="list-style-type: none"> <li>• <b>NEVER</b> flood a hot griddle with cold water. This can warp or crack the aluminum plate.</li> <li>• <b>DO NOT</b> clean any part of the griddle in a self-cleaning oven.</li> <li>• Wipe griddle surface with warm soapy water then rinse with warm water. Wipe dry with a soft cloth.</li> <li>• If food particles stick to the griddle plate, remove with a mild abrasive cleaner such as Soft Scrub<sup>®</sup>.</li> <li>• <b>Suggested cleaners;</b> rinse and dry immediately:               <ul style="list-style-type: none"> <li>-- Hot water and detergent</li> <li>-- Dishwasher safe</li> <li>-- Soft Scrub<sup>®</sup></li> </ul> </li> </ul>
<p><b>Griddle Grease Tray</b></p> 	<ul style="list-style-type: none"> <li>• Remove tray after grease has cooled. Be careful not to fill it so full that tipping to remove it spills the grease. Discard grease into a grease resistant container for disposal.</li> <li>• Clean the grease tray after each use.</li> <li>• <b>Suggested cleaners;</b> rinse and dry immediately:               <ul style="list-style-type: none"> <li>-- Hot water and detergent</li> <li>-- Dishwasher safe</li> <li>-- Soft Scrub<sup>®</sup></li> </ul> </li> </ul>

PART/MATERIAL	CLEANING NOTES
<p><b>Grill Grates</b></p> <p>Porcelain Enamel on Cast Iron</p> 	<ul style="list-style-type: none"> <li>• Clean the grates after each use.</li> <li>• Place the grill grate into a sink and pour boiling hot water over the grate. Lay a dish towel on top of the grate and pour more hot water over the towel. Allow the water to soak into the residue. Scrape away debris with a soap-filled scouring pad.</li> <li>• Stubborn soil: Soft Scrub<sup>®</sup>.</li> <li>• <b>Suggested cleaners;</b> rinse and dry immediately: <ul style="list-style-type: none"> <li>-- Hot water and detergent</li> <li>-- Dishwasher safe</li> <li>-- Soft Scrub<sup>®</sup></li> <li>-- Soft brass wire brush for stubborn residues. Hard steel wire brushes could scratch the porcelain grate coating and cause premature oxidation of the grate.</li> </ul> </li> <li>• <b>Stubborn stains;</b> rinse and dry immediately: <ul style="list-style-type: none"> <li>-- Soap-filled steel wool pad</li> <li>-- Lestoil<sup>®</sup></li> <li>-- Other degreaser</li> </ul> </li> </ul>
<p><b>Ceramic Briquettes, Briquette Basket, and Grill Drip Tray</b></p> 	<ul style="list-style-type: none"> <li>• <b>Suggested cleaning for ceramic briquettes;</b> <ol style="list-style-type: none"> <li>1) Gently place grease-saturated ceramic briquettes in a 6 quart or larger pot.</li> <li>2) Fill the pot with clean water so that all ceramic briquettes are covered at least 1/2" deep.</li> <li>3) Bring the water to a steady boil. Once reaching a steady boil, continue to boil for 10 minutes.</li> <li>4) Remove heat and allow ceramic briquettes to cool to a safe temperature.</li> <li>5) Pour water off of ceramic briquettes and pat them dry on old towels or paper towels.</li> <li>6) Allow ceramic briquettes to air dry for at least two hours. Some visible grease stains may remain on briquettes after cleaning.</li> <li>7) Reassemble clean, dry briquettes back into the grill before using the grill again.</li> </ol> </li> <li>• New ceramic briquettes can be purchased from the THERMADOR eShop (order number <i>PABRICKBKN</i>). See the back cover for support information.</li> <li>• <b>⚠ Caution:</b> <p>Ceramic briquettes must be replaced when they begin to turn black. This means that they are saturated with fat and may smoke heavily during operation or the fat may catch fire.</p> </li> <li>• <b>Suggested cleaners for basket and drip tray;</b> rinse and dry immediately: <ul style="list-style-type: none"> <li>-- Hot water and detergent</li> <li>-- Dishwasher safe</li> </ul> </li> </ul>
<p><b>Surface Spill Trays</b></p> <p>Porcelain Enamel (gloss finish)</p> 	<ul style="list-style-type: none"> <li>• The porcelain enamel finish is acid resistant, but not acid proof. Acidic foods, such as citrus juices, tomatoes, rhubarb, vinegar, alcohol or milk, should be wiped up and not allowed to bake onto the porcelain during the next use.</li> <li>• If mild abrasive cleaners are used, rub lightly as these cleansers may scratch the finish.</li> <li>• For burned on foods, soap filled fiber or steel wool pads may be used but care must be taken as these may scratch the finish.</li> <li>• <b>Suggested cleaners;</b> rinse and dry immediately: <ul style="list-style-type: none"> <li>-- Hot water and detergent</li> <li>-- Soft Scrub<sup>®</sup></li> <li>-- Bar Keeper's Friend<sup>®</sup></li> <li>-- Bon-ami<sup>®</sup></li> <li>-- Comet<sup>®</sup></li> <li>-- Ajax<sup>®</sup></li> <li>-- Soap-filled fiber or steel wool pad</li> </ul> </li> </ul>

PART/MATERIAL	CLEANING NOTES
<p><b>Grates</b> Porcelain Enamel on Cast Iron</p> 	<ul style="list-style-type: none"> <li>• The grates are heavy; use care when lifting. Place on a protected surface. <b>DO NOT</b> clean grates in a self-cleaning oven.</li> <li>• The rough texture of the grate can sometimes remove aluminum deposits from the bottom of pans and fill in areas between the high spots on the surface of the grate. Use special care when cooking with copper and aluminum pots and pans as this type of cookware can sometimes leave metal deposits on the grates.</li> <li>• Blisters/ crazing/ chips are common due to the extreme temperatures on grate fingers and rapid temperature changes.</li> <li>• Acidic and sugar-laden spills deteriorate the enamel. Remove soil immediately once the grate has cooled.</li> <li>• Abrasive cleaners, used too vigorously or too often can eventually mar the enamel.</li> <li>• <b>Suggested cleaners;</b> rinse and dry immediately: <ul style="list-style-type: none"> <li>-- Hot water and detergent</li> <li>-- Fantastik®</li> <li>-- Bon-ami®</li> <li>-- Soft Scrub®</li> </ul> </li> <li>• <b>Stubborn stains;</b> rinse and dry immediately: <ul style="list-style-type: none"> <li>-- Soap-filled steel wool pad</li> <li>-- Lestoil®</li> <li>-- Other degreaser</li> </ul> </li> <li>• <b>Metal deposits:</b> <ul style="list-style-type: none"> <li>-- Scotch Brite™ scrub sponge</li> <li>-- Course steel wool pad</li> </ul> </li> </ul>
<p><b>Exterior Finish/Backguard</b> Stainless Steel</p>	<ul style="list-style-type: none"> <li>• Stainless steel resists most food stains and pit marks providing the surface is kept clean and protected. Never allow food stains or salt to remain on stainless steel for any length of time.</li> <li>• Clean with mild, soapy water and soft cloth. Rinse with water and wipe dry with soft cloth. Always wipe in the direction of the stainless steel grain.</li> <li>• <b>DO NOT</b> use cleaners containing chlorine. Chlorine is corrosive to stainless steel. Check ingredients on label.</li> <li>• <b>Suggested cleaners;</b> rinse and dry immediately: <ul style="list-style-type: none"> <li>-- Hot water and detergent</li> <li>-- Fantastik®</li> <li>-- Siege® Stainless Steel and Aluminum Cleaner</li> <li>-- Kleen King® Stainless Steel Liquid Cleaner</li> <li>-- Cleaner polish: Stainless Steel Magic® to protect the finish from staining and pitting; enhances appearance.</li> <li>-- THERMADOR Stainless Steel Conditioner (00576697)</li> <li>-- For hard water spots use household vinegar.</li> </ul> </li> <li>• <b>For heat discoloration;</b> rinse and dry immediately: <ul style="list-style-type: none"> <li>-- Barkeepers Friend®</li> </ul> </li> </ul>

# Before Calling For Service

Before calling for service, check the following to avoid unnecessary service charges.

## Be sure to check these items first:

- Is there a power outage in the area?
- Is the household fuse blown or the circuit breaker tripped?
- Is the rangetop disconnected from the electrical supply?

## If the Burners do not Ignite:

- Are the burner caps properly aligned and seated in the burner bases?
- Are the burner ports clogged?
- Is a fuse blown or is the circuit breaker tripped?
- Is the manual shut-off valve closed, preventing the flow of gas?

## Data Rating Label

The data rating plate showing the model and serial numbers of your rangetop is located on the underside of the rangetop chassis near the front. This information is required if customer service is requested. Before installation, the model and serial numbers should be entered in the appropriate spaces on this page. After installation, accessing the information is difficult.

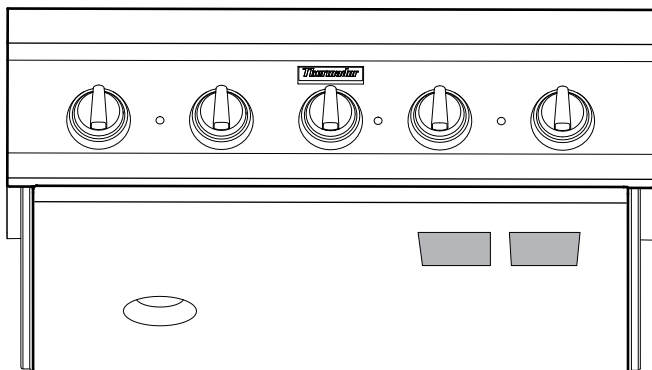


Figure 19: Rating Label Location

## Service Information

For handy reference, copy the information below from the data rating plate. Keep your invoice for Warranty validation.

**Model Number** \_\_\_\_\_

**Serial Number** \_\_\_\_\_

**Date of Purchase** \_\_\_\_\_

Also, enter this information on the Product Registration Form included with this product.

Register your BSH product to ensure timely service and access to your product related information. You may register your product through one of the following ways:

1. Mail in the completed THERMADOR® product registration card.
2. Register your product online at [www.thermador.com](http://www.thermador.com).
3. Call us at THERMADOR customer service at 1-800-735-4328.

## Troubleshooting

SYMPTOM	POSSIBLE CAUSE	REMEDY
Intermittent igniter sparking	<ul style="list-style-type: none"> <li>• Ceramic igniter is wet or dirty.</li> <li>• Burner ports are clogged.</li> </ul>	<ul style="list-style-type: none"> <li>• Carefully dry or clean igniter.</li> <li>• Clean ports on burner cap with a wire, a needle or straightened paper clip.</li> </ul>
More than four clicks of igniter before lighting	<ul style="list-style-type: none"> <li>• Improper fit of burner cap onto burner base.</li> </ul>	<ul style="list-style-type: none"> <li>• Align burner cap properly on burner base.</li> </ul>
Constant igniter sparking	<ul style="list-style-type: none"> <li>• Range is not properly grounded.</li> <li>• Electrical power supply is incorrectly polarized.</li> </ul>	<ul style="list-style-type: none"> <li>• Refer to the <i>Installation Manual</i>. Have a qualified electrician ground the range properly.</li> </ul>
Igniters sparking but no flame ignition.	<ul style="list-style-type: none"> <li>• Gas supply valve is in “OFF” position.</li> </ul>	<ul style="list-style-type: none"> <li>• Restore gas supply to the unit.</li> </ul>
Rangetop will not operate (lights and surface burners will not come on)	<ul style="list-style-type: none"> <li>• No power to the unit.</li> </ul>	<ul style="list-style-type: none"> <li>• Check for open circuit breaker.</li> <li>• Check that power supply line connection is connected to the proper voltage.</li> </ul>
Foods in oven are not cooking sufficiently.	<ul style="list-style-type: none"> <li>• Improper cookware.</li> <li>• Appliance not level.</li> </ul>	<ul style="list-style-type: none"> <li>• Refer to Cookware Recommendations in the <i>Use and Care Guide</i>.</li> <li>• Refer to the <i>Installation Manual</i> for instructions on how to level the appliance.</li> </ul>

# Statement of Limited Product Warranty

## What this Warranty Covers & Who it Applies to

The limited warranty provided by BSH Home Appliances Corporation (BSH) in this Statement of Limited Product Warranty applies only to the THERMADOR® appliance sold to you, the first using purchaser, provided that the Product was purchased:

- For your normal, household (non-commercial) use, and has in fact at all times only been used for normal household purposes.
- New at retail (not a display, "as is", or previously returned model), and not for resale, or commercial use.
- Within the United States or Canada, and has at all times remained within the country of original purchase.

The warranties stated herein apply only to the first purchaser of the Product and are not transferable.

Please make sure to return your registration card; while not necessary to effectuate warranty coverage, it is the best way for BSH to notify you in the unlikely event of a safety notice or product recall.

## How Long the Warranty Lasts

**Product built preceding January 1, 2012 with a number of FD911299999 or lower:** BSH warrants that the Product is free from defects in materials and workmanship for a period of three hundred and sixty-five (365) days from the date of purchase. The foregoing timeline begins to run upon the date of purchase, and shall not be stalled, tolled, extended, or suspended, for any reason whatsoever.

**Product built subsequent to January 1, 2012 with a number of FD920100000 or higher:** BSH warrants that the Product is free from defects in materials and workmanship for a period of seven hundred and thirty (730) days from the date of purchase. The foregoing timeline begins to run upon the date of purchase, and shall not be stalled, tolled, extended, or suspended, for any reason whatsoever.

This Product is also warranted to be free from cosmetic defects in material and workmanship (such as scratches of stainless steel, paint/porcelain blemishes, chips, dents, or other damage) to the finish of the Product, for a period of sixty (60) days from the date of purchase or closing date for new construction. This cosmetic warranty excludes slight color variations due to inherent differences in painted and porcelain parts, as well as differences caused by kitchen lighting, product location, or other similar factors. This

cosmetic warranty specifically excludes any display, floor, "As Is", or "B" stock appliances.

## Repair/Replace as Your Exclusive Remedy

During this warranty period, BSH or one of its authorized service providers will repair your Product without charge to you (subject to certain limitations stated herein) if your Product proves to have been manufactured with a defect in materials or workmanship. If reasonable attempts to repair the Product have been made without success, then BSH will replace your Product (upgraded models may be available to you, in the sole discretion of BSH, for an additional charge). All removed parts and components shall become the property of BSH at its sole option. All replaced and/or repaired parts shall assume the identity of the original part for purposes of this warranty and this warranty shall not be extended with respect to such parts. BSH's sole liability and responsibility hereunder is to repair manufacturer-defective Product only, using a BSH-authorized service provider during normal business hours. For safety and property damage concerns, BSH highly recommends that you do not attempt to repair the Product yourself, or use an un-authorized servicer; BSH will have no responsibility or liability for repairs or work performed by a non-authorized servicer. If you choose to have someone other than an authorized service provider work on your Product, THIS WARRANTY WILL AUTOMATICALLY BECOME NULL AND VOID. Authorized service providers are those persons or companies that have been specially trained on BSH products, and who possess, in BSH's opinion, a superior reputation for customer service and technical ability (note that they are independent entities and are not agents, partners, affiliates or representatives of BSH). Notwithstanding the foregoing, BSH will not incur any liability, or have responsibility, for the Product if it is located in a remote area (more than 100 miles from an authorized service provider) or is reasonably inaccessible, hazardous, threatening, or treacherous locale, surroundings, or environment; in any such event, if you request, BSH would still pay for labor and parts and ship the parts to the nearest authorized service provider, but you would still be fully liable and responsible for any travel time or other special charges by the service company, assuming they agree to make the service call.

## Out of Warranty Product

BSH is under no obligation, at law or otherwise, to provide you with any concessions, including repairs, pro-rates, or Product replacement, once this warranty has expired.

## Warranty Exclusions

The warranty coverage described herein excludes all defects or damage that are not the direct fault of BSH, including without limitation, one or more of the following:

- Use of the Product in anything other than its normal, customary and intended manner (including without limitation, any form of commercial use, use or storage of an indoor product outdoors, use of the Product in conjunction with air or water-going vessels).
- Any party's willful misconduct, negligence, misuse, abuse, accidents, neglect, improper operation, failure to maintain, improper or negligent installation, tampering, failure to follow operating instructions, mishandling, unauthorized service (including self-performed "fixing" or exploration of the appliance's internal workings).
- Adjustment, alteration or modification of any kind.
- A failure to comply with any applicable state, local, city, or county electrical, plumbing and/or building codes, regulations, or laws, including failure to install the product in strict conformity with local fire and building codes and regulations.
- Ordinary wear and tear, spills of food, liquid, grease accumulations, or other substances that accumulate on, in, or around the Product.
- Any external, elemental and/or environmental forces and factors, including without limitation, rain, wind, sand, floods, fires, mud slides, freezing temperatures, excessive moisture or extended exposure to humidity, lightning, power surges, structural failures surrounding the appliance, and acts of God.
- In no event shall BSH have any liability or responsibility whatsoever for damage to surrounding property, including cabinetry, floors, ceilings, and other structures or objects around the Product. Also excluded from this warranty are products on which the serial numbers have been altered, defaced, or removed; service visits to teach you how to use the Product, or visits where there is nothing wrong with the Product; correction of installation problems (you are solely responsible for any structure and setting for the Product, including all electrical, plumbing or other connecting facilities, for proper foundation/flooring, and for any alterations including without limitation cabinetry, walls, floors, shelving, etc.); and resetting of breakers or fuses.

**TO THE EXTENT ALLOWED BY LAW, THIS WARRANTY SETS OUT YOUR EXCLUSIVE REMEDIES WITH RESPECT TO PRODUCT, WHETHER THE CLAIM ARISES IN CONTRACT OR TORT (INCLUDING STRICT LIABILITY, OR NEGLIGENCE) OR OTHERWISE. THIS WARRANTY IS IN LIEU OF ALL OTHER WARRANTIES, WHETHER EXPRESS OR IMPLIED. ANY WARRANTY IMPLIED BY LAW, WHETHER FOR MERCHANTABILITY OR FITNESS FOR A PARTICULAR PURPOSE, OR OTHERWISE, SHALL BE EFFECTIVE ONLY FOR THE PERIOD THAT THIS EXPRESS LIMITED WARRANTY IS EFFECTIVE. IN NO EVENT WILL THE MANUFACTURER BE LIABLE FOR CONSEQUENTIAL, SPECIAL, INCIDENTAL, INDIRECT, "BUSINESS LOSS", AND/OR PUNITIVE DAMAGES, LOSSES, OR EXPENSES, INCLUDING WITHOUT LIMITATION TIME AWAY FROM WORK, HOTELS AND/OR RESTAURANT MEALS, REMODELLING EXPENSES IN EXCESS OF DIRECT DAMAGES WHICH ARE DEFINITELY CAUSED EXCLUSIVELY BY BSH, OR OTHERWISE. SOME STATES DO NOT ALLOW THE EXCLUSION OR LIMITATION OF INCIDENTAL OR CONSEQUENTIAL DAMAGES, AND SOME STATES DO NOT ALLOW LIMITATIONS ON HOW LONG AN IMPLIED WARRANTY LASTS, SO THE ABOVE LIMITATIONS MAY NOT APPLY TO YOU. THIS WARRANTY GIVES YOU SPECIFIC LEGAL RIGHTS, AND YOU MAY ALSO HAVE OTHER RIGHTS WHICH VARY FROM STATE TO STATE.**

No attempt to alter, modify or amend this warranty shall be effective unless authorized in writing by an officer of BSH.

**We reserve the right to make changes in the product or this manual without notification.**



# Table des matières

<b>Sécurité</b> .....	<b>1</b>
Consignes de sécurité importantes .....	1
<b>Description</b> .....	<b>6</b>
Identification des pièces .....	6
<b>Avant de commencer</b> .....	<b>7</b>
Mise en route .....	7
Plaque signalétique .....	7
Brûleurs de surface .....	7
<b>Utilisation de la table de cuisson</b> .....	<b>8</b>
Brûleurs STAR scellés .....	8
Brûleurs ExtraLow <sup>mc</sup> .....	10
Récipients recommandés .....	12
Conseils de cuisson - Brûleurs de la table de cuisson .....	14
Utilisation de la plaque chauffante électrique .....	16
Utilisation du gril électrique .....	19
<b>Entretien et Nettoyage</b> .....	<b>22</b>
Recommandations pour le nettoyage .....	22
<b>Avant d'appeler le service technique</b> .....	<b>26</b>
Renseignements pour le service technique .....	26
Dépannage .....	27
<b>Énoncé de garantie limitée du produit</b> .....	<b>28</b>
<b>Service à la clientèle, accessoires et pièces</b> .....	<b>dernière page</b>

## Définitions concernant la sécurité

### **▲ AVERTISSEMENT**

Ceci indique que le non respect de cet avertissement peut entraîner des blessures graves, voire la mort.

### **▲ ATTENTION**

Ceci indique que le non respect de cet avertissement peut entraîner des blessures légères ou modérées.

**NOTICE** : Ceci indique que la non-conformité à cet avis de sécurité peut entraîner des dégâts à l'appareil ou à la propriété.

**Note** : Ceci vous avertit que d'importantes informations et/ou conseils sont fournis.

Cet appareil électroménager de THERMADOR<sup>mc</sup>  
est fait par BSH Home Appliances Ltd  
6696 Financial Drive, Unit 3  
Mississauga, ON L5N 7J6

**Des questions?**  
1-800-735-4328  
[www.thermador.ca](http://www.thermador.ca)

**Nous attendons de vos nouvelles!**

# Sécurité



## INSTRUCTIONS DE SÉCURITÉ IMPORTANTES LISEZ ET CONSERVEZ CES INSTRUCTIONS

### AVERTISSEMENT



Si vous ne suivez pas rigoureusement les renseignements fournis dans le présent guide, des risques d'incendie ou d'explosion sont susceptibles de causer des dommages matériels, des blessures ou la mort.

- N'entreposez pas et n'utilisez pas d'essence ou d'autres produits inflammables sous forme de liquide ou de vapeur à proximité de la table de cuisson ou de tout autre appareil.
- **SI VOUS DÉTECTEZ UNE ODEUR DE GAZ**
  - N'allumez aucun appareil.
  - Ne touchez pas aux interrupteurs électriques.
  - N'utilisez pas les téléphones du bâtiment où vous trouvez.
  - Appelez immédiatement votre société gazière chez un voisin et suivez les instructions qu'elle vous donne.
  - Si vous n'arrivez pas à contacter votre société gazière, appelez le service d'incendie.
- L'installation et les travaux d'entretien doivent être réalisés par un installateur qualifié, un centre de réparation agréé ou une société gazière.

### AVERTISSEMENT

Tout installation, ajustement, modification, entretien ou nettoyage inadéquat peut causer des blessures ou des dommages matériels. Consultez le présent manuel. Pour obtenir de l'assistance ou des renseignements supplémentaires, consultez un installateur qualifié, un centre de réparation, le fabricant (ou le détaillant) ou une société gazière.

### Pour les installations au Massachusetts :

1. L'installation doit être réalisée par un entrepreneur qualifié ou accrédité, un plombier ou un installateur de gaz qualifié ou autorisée par l'État, la province ou la région dans laquelle cet appareil est installé.
2. La vanne d'arrêt de gaz doit être pourvue d'une poignée en « T ».
3. La longueur du tuyau de gaz ne doit pas excéder 36 po (914 mm).

### Vérification du type de gaz

Vérifiez le type de gaz fourni à votre emplacement. Assurez-vous que l'appareil est raccordé au type de gaz pour lequel il est certifié. Tous les modèles sont certifiés pour l'utilisation du gaz naturel. La conversion sur le terrain de l'appareil pour utilisation avec du gaz propane exigera une trousse de conversion incluse. Assurez-vous que le type de cuisinière et le type de gaz sont compatibles. Reportez-vous à l'étiquette de données qui se trouve à l'endroit indiqué à la "Avant d'appeler le service technique".

### ATTENTION

Lorsque vous branchez l'appareil au gaz propane, assurez-vous que le réservoir de gaz propane est muni de son propre mécanisme régulateur à haute pression en plus du régulateur à haute pression fourni avec l'appareil. La pression de gaz maximale ne devrait pas excéder 14,0 pouces de colonne d'eau (34,9 Mb) entre le réservoir de gaz propane et le régulateur à haute pression.

### IMPORTANT :

Hormis les modèles PCG305P, lors d'une installation contre une surface combustible, un dossier bas est requis. Vous devez acheter séparément un dossier bas Thermador. Vous pouvez acheter un dossier bas Thermador séparément. Consultez le manuel d'installation pour obtenir des instructions d'installation et des renseignements sur le dossier.

Lorsque vous utilisez une garniture d'îlot, Thermador recommande un espace libre minimal de 12 po (305 mm) entre l'appareil et la surface combustible (consultez le manuel d'installation pour connaître les exigences en matière d'espace libre). Les espaces libres pour les matières non combustibles ne font pas partie de la norme ANSI Z21.1 et ne sont pas mentionnés par la CSA. Les codes locaux ou les compétences ayant autorité doivent approuver les espaces libres de moins de 12 po (305 mm).

Avant d'utiliser la table de cuisson, assurez-vous qu'elle est munie d'un dossier adéquat. Consultez les instructions d'installation qui accompagnent cet appareil pour obtenir de plus amples renseignements.

Il est de la responsabilité de l'acheteur de s'assurer qu'un électricien qualifié branche cet appareil à l'alimentation électrique, conformément au code national de l'électricité ou aux codes et aux règlements locaux en vigueur.



# INSTRUCTIONS DE SÉCURITÉ IMPORTANTES

## LISEZ ET CONSERVEZ CES INSTRUCTIONS

### AVERTISSEMENT

Pour éviter tout risque de brûlure ou d'incendie, un dossieret conçu spécialement pour cette table de cuisson doit être installé au lieu d'installation.

## Exigences électriques

### AVERTISSEMENT

#### EN CAS DE PANNE ÉLECTRIQUE

Si, pour une raison quelconque, un bouton de commande de gaz est allumé et qu'il n'y a pas d'électricité pour actionner les allumeurs électroniques des brûleurs de la table de cuisson, mettez le bouton à OFF et attendez 5 minutes pour permettre au gaz de se dissiper avant d'allumer manuellement les brûleurs.

Pour allumer manuellement les brûleurs STAR, tenez une allumette allumée près des ports d'un brûleur STAR puis tournez le bouton de commande à HI. Vous pouvez utiliser les brûleurs STAR standards de la table de cuisson pendant une panne d'électricité, mais vous devez les allumer avec une allumette.

NE tentez PAS d'allumer manuellement les deux brûleurs XLO<sup>mc</sup> de gauche. Ces brûleurs STAR sont dotés de la fonction ExtraLow<sup>mc</sup> et ne peuvent être allumés manuellement.

### AVERTISSEMENT

POUR VOTRE SÉCURITÉ PERSONNELLE, CET APPAREIL DOIT ÊTRE CONNECTÉ À UNE ALIMENTATION ÉLECTRIQUE POLARISÉE AVEC UNE MISE À LA TERRE ADÉQUATE.

Débranchez toujours la fiche électrique de la prise murale avant de procéder à l'entretien de l'appareil.

Consultez les exigences d'alimentation électrique et de mise à la terre dans les *instructions d'installation*.

### Normes et codes de sécurité

- La norme américaine ANSI Z21.1 régissant les appareils électroménagers à gaz
- La norme américaine UL858 régissant les cuisinières électriques domestiques.

- La norme canadienne CAN/CSA-22.2 No. 61-M89 régissant les cuisinières domestiques.
- La norme canadienne CAN/CGA1.1-M81 régissant les cuisinières à gaz domestiques.

Consultez la réglementation locale du bâtiment qui s'applique à votre cas pour connaître la bonne méthode d'installation. S'il n'y a pas de réglementation, cet appareil doit être installé conformément au code national américain sur les gaz combustibles No Z223.1, édition actuelle, et au code américain de l'électricité ANSI/NFPA No 70, édition actuelle, ou bien au code canadien Can - B149 régissant l'installation des appareils à gaz et à la section 1 du code électrique canadien C22.1.

Il incombe au propriétaire et à l'installateur de déterminer si des exigences ou des normes additionnelles s'appliquent spécifiquement à l'installation.

Votre table de cuisson PROFESSIONAL<sup>mc</sup> de THERMADOR est conçue pour être fiable et sécuritaire si elle est bien entretenue. Néanmoins, vous devez faire preuve d'une grande prudence lorsque vous utilisez cette table de cuisson professionnelle, car ce type d'appareil produit une chaleur intense. L'utilisation d'appareils de cuisine doit se faire conformément aux consignes élémentaires de sécurité, y compris ce qui suit :

Lisez attentivement le présent guide d'utilisation et d'entretien avant d'utiliser votre nouvelle table de cuisson afin de réduire les risques d'incendie, de décharge électrique ou de blessures.

L'installation et l'entretien doivent être correctement effectués. Suivez les instructions du *manuel d'installation* fourni avec le produit. Assurez-vous qu'un électricien qualifié installe et effectue la mise à la terre de la table de cuisson.

Demandez à l'installateur de vous montrer où se trouvent le disjoncteur et la vanne d'arrêt de gaz pour savoir où et comment couper l'alimentation électrique et l'approvisionnement en gaz de la table de cuisson.

Si le brûleur STAR<sup>mc</sup> fuit et que du gaz s'en échappe, ouvrez une fenêtre ou une porte. NE tentez PAS d'utiliser la table de cuisson avant que le gaz ait eu le temps de se dissiper. Attendez au moins 5 minutes avant d'utiliser la table de cuisson.



# INSTRUCTIONS DE SÉCURITÉ IMPORTANTES

## LISEZ ET CONSERVEZ CES INSTRUCTIONS

Ne réparez et ne remplacez aucune pièce de l'appareil, sauf si le présent guide le recommande expressément. Toute autre réparation doit être effectuée par un technicien qualifié.

### AVERTISSEMENT

#### **POUR RÉDUIRE LES RISQUES DE BLESSURE LORS D'UN FEU DE FRITURE, OBSERVEZ LES CONSIGNES SUIVANTES :**

- Éteignez les flammes avec un couvercle, une plaque à biscuits ou un plateau de métal et éteignez ensuite le brûleur ou l'élément. Prenez garde aux risques de brûlure. Si les flammes ne disparaissent pas immédiatement, évacuez les lieux et appelez le service d'incendie.
- Ne prenez jamais un poêlon en feu – Vous pourriez vous brûler.
- N'UTILISEZ PAS D'EAU ou un linge à vaisselle mouillé – une violente explosion de vapeur s'ensuivra.
- Utilisez un extincteur seulement si :
  - Vous savez que vous possédez un extincteur de classe ABC et vous savez vous en servir.
  - Le feu est faible et ne s'est pas répandu depuis son point d'origine.
  - Vous avez appelé le service d'incendie.
  - Vous pouvez sortir facilement de l'endroit où vous combattez le feu.

## Sécurité des enfants

Lorsque les enfants sont assez âgés pour utiliser l'appareil, il est de la responsabilité légale des parents ou des tuteurs de veiller à ce que des personnes qualifiées leur enseignent des pratiques sécuritaires.

### AVERTISSEMENT

NE rangez PAS d'objets attirant l'attention d'enfants au-dessus ou derrière la table de cuisson. Ils risqueraient d'y monter pour s'en emparer et pourraient se blesser gravement.

NE permettez PAS que quiconque grimpe, se mette debout, s'assoit ou se pendre à une pièce de l'appareil. Cela pourrait endommager l'appareil et il pourrait basculer, infligeant possiblement de graves blessures.

NE permettez PAS à des enfants d'utiliser l'appareil à moins qu'ils ne soient surveillés de près par un adulte.

Les enfants et les animaux ne devraient pas être laissés seuls ou sans surveillance dans la salle où l'appareil est en cours d'utilisation. Ils ne devraient jamais avoir l'autorisation de jouer près de l'appareil, qu'il soit en cours d'utilisation ou non.

N'utilisez JAMAIS la table de cuisson comme espace de rangement. Les matières inflammables pourraient prendre feu et les objets en plastique pourraient fondre ou prendre feu. N'accrochez rien sur l'appareil. Certains tissus peuvent facilement s'enflammer.

Si la table de cuisson est placée près d'une fenêtre, assurez-vous que les courants d'air ne peuvent pas pousser les rideaux jusqu'au-dessus ou à proximité des brûleurs STAR; ils pourraient s'enflammer.

### AVERTISSEMENT

#### **POUR RÉDUIRE LES RISQUES DE FEU DE FRITURE :**

- Ne laissez jamais l'appareil sans surveillance lors de son utilisation à haute température. Les débordements par bouillonnement causent de la fumée et les déversements de graisse qui peuvent prendre feu. Faites chauffer l'huile à des températures basses ou moyennes.
- Allumez toujours la hotte lorsque vous cuisinez à haute température ou que vous faites flamber des aliments (c.-à-d. crêpes Suzette, cerises jubilé, bœuf flambé au poivre).
- Nettoyez fréquemment les ventilateurs. Ne laissez pas la graisse s'accumuler sur les ventilateurs ou les filtres.
- Utilisez des poêlons aux dimensions adéquates. Utilisez toujours une batterie de cuisine correspondant aux dimensions de l'élément ou du brûleur.

Assurez-vous qu'il y a TOUJOURS un détecteur de fumée fonctionnel près de la cuisine. Si vos vêtements ou vos cheveux prennent feu, jetez-vous immédiatement par terre et roulez pour éteindre les flammes.

Assurez-vous qu'il y a TOUJOURS un détecteur de fumée fonctionnel près de la cuisine. Si vos vêtements ou vos cheveux prennent feu, jetez-vous immédiatement par terre et roulez pour éteindre les flammes.

Ayez un extincteur approprié à portée de la main, visible et facile d'accès, tout près de l'appareil de cuisson.



# INSTRUCTIONS DE SÉCURITÉ IMPORTANTES

## LISEZ ET CONSERVEZ CES INSTRUCTIONS

Étouffez les flammes provenant d'aliments en feu, autre que les feux de friture, avec du bicarbonate de soude. N'utilisez jamais de l'eau pour éteindre des aliments en feu.

Dans la mesure du possible, ne faites pas fonctionner le système de ventilation lorsqu'il y a un feu sur la table de cuisson. Cependant, ne tentez pas de l'éteindre en passant votre main dans le feu.

Les vêtements, poignées, mitaines ou toute autre matière inflammable ne doivent JAMAIS toucher ni être placés à proximité des brûleurs ou des grilles des brûleurs avant que ceux-ci n'aient eu le temps de refroidir. Les tissus pourraient prendre feu et provoquer des blessures.

N'utilisez que des poignées et mitaines sèches : la vapeur qui se dégage de poignées et de mitaines mouillées ou humides posées sur des surfaces chaudes peut provoquer des blessures. N'utilisez PAS de serviettes ni de chiffons volumineux au lieu de poignées et de mitaines. Ne laissez pas de poignées ou de mitaines en contact avec des grilles ou des brûleurs chauds.

Pour votre sécurité, lorsque vous utilisez l'appareil, portez des vêtements adéquats et évitez ceux qui sont amples et qui ont des manches tombantes. Certains tissus synthétiques sont hautement inflammables. Vous ne devriez pas en porter lorsque vous cuisinez.

### AVERTISSEMENT

L'appareil sert à cuisiner. N'utilisez jamais la table de cuisson pour chauffer une pièce. Ceci peut causer un empoisonnement au monoxyde de carbone et surchauffer l'appareil en plus d'en endommager certaines pièces.

N'enveloppez aucune pièce de la table de cuisson dans du papier d'aluminium. L'utilisation de revêtement en aluminium pourrait causer une décharge électrique ou un incendie, ou encore obstruer la circulation d'air de la combustion et de l'aération. Le papier d'aluminium est un excellent isolateur et il retient la chaleur. Son utilisation aura une incidence sur la cuisson et pourrait endommager le fini de la table de cuisson.

Quand vous utilisez la table de cuisson : **NE TOUCHEZ PAS LES GRILLES DES BRÛLEURS OU LES ZONES ADJACENTES.** Les zones entourant les brûleurs peuvent devenir assez chaudes pour causer des brûlures.

Ne laissez jamais la table de cuisson sans surveillance quand vous utilisez une flamme intense. Les débordements produisent de la fumée et des

éclaboussures de graisse qui peuvent s'enflammer. Par ailleurs, si la flamme d'un brûleur s'éteint, du gaz s'échappera dans la pièce. Pour en savoir plus sur les fuites de gaz, consultez la *page 1*.

Seuls certains types de casseroles en verre, en vitrocéramique résistant à la chaleur, en céramique, en terre cuite ou en céramique vitrifiée peuvent être utilisés sur les brûleurs de la table de cuisson. Ce type de récipients peut se casser lors de changements de température brusques. N'utilisez que des réglages de flamme bas ou moyen et respectez les directives du fabricant.

Ne faites pas chauffer de récipients fermés. La pression s'accumulant dans le récipient pourrait le faire éclater et provoquer des blessures.

Lorsque vous cuisinez, réglez les brûleurs de façon à ce que la flamme ne chauffe que le fond du récipient sans déborder sur les côtés.

### AVERTISSEMENT

Évitez d'utiliser une flamme forte de façon prolongée avec un récipient plus grand que la grille ou couvrant plusieurs brûleurs, comme une plaque. Cela peut nuire à la combustion et produire des émanations dangereuses.

Soyez prudent et assurez-vous que les courants provenant de grilles d'aération ou de ventilateurs ne soufflent pas de matière inflammable vers les flammes ou ne poussent pas les flammes sur les côtés de la casserole ou du poêlon.

Utilisez toujours des casseroles et poêlons à fond plat et suffisamment larges pour couvrir le brûleur. L'utilisation de casseroles trop petites pourrait exposer une partie de la flamme et enflammer des vêtements.

Pour réduire les risques de brûlure, d'inflammation de matières inflammables et de renversements accidentels, placez les poignées des récipients vers l'intérieur de la table de cuisson pour qu'elles ne dépassent pas sur les surfaces de travail adjacentes, les zones de préparation ou le bord de la table de cuisson.

N'utilisez PAS de casseroles ou de poêlons sur l'accessoire du grill (vendu séparément). Vous ne devriez jamais utiliser de grandes casseroles, de plaques à biscuits, etc. sur la table de cuisson.

N'utilisez PAS de produits nettoyants inflammables pour nettoyer la table de cuisson.



# INSTRUCTIONS DE SÉCURITÉ IMPORTANTES

## LISEZ ET CONSERVEZ CES INSTRUCTIONS

Tenez la poignée du récipient pour l'empêcher de bouger quand vous remuez des aliments.

Avant d'utiliser la plaque chauffante ou les brûleurs à proximité, enlevez la planche à découper optionnelle ou l'accessoire de recouvrement de la plaque.

LA GRAISSE EST INFLAMMABLE. Laissez la graisse chaude refroidir avant d'essayer de la manipuler. Évitez de laisser de la graisse s'accumuler. Nettoyez après chaque utilisation.

Pour que les brûleurs s'allument et fonctionnent correctement, les orifices d'allumage doivent être gardés propres. Il faut les nettoyer après un débordement ou lorsque le brûleur ne s'allume pas même si le système d'allumage électronique s'actionne.

Nettoyez la table de cuisson avec soin. Faites attention de ne pas vous brûler avec la vapeur. N'utilisez PAS d'éponge ou de chiffon mouillé pour nettoyer la table de cuisson quand elle est chaude. Certains produits nettoyants dégagent des vapeurs toxiques s'ils sont appliqués sur une surface chaude. Suivez les indications fournies par le fabricant du produit nettoyant.

N'obstruez PAS la circulation d'air de combustion ou d'aération.

Assurez-vous que tous les boutons de la table de cuisson sont hors circuit et que la plaque chauffante est froide avant d'utiliser un produit nettoyant en aérosol sur celle-ci ou à proximité de celle-ci. Certains produits chimiques vaporisés peuvent, en présence de chaleur, prendre feu ou corroder les pièces métalliques.

### AVERTISSEMENT

Après un renversement ou une éclaboussure, éteignez le brûleur et nettoyez le pourtour et les orifices avec soin. Assurez-vous du bon fonctionnement de l'appareil après le nettoyage.

Toutes les réparations doivent être effectuées par des techniciens agréés, qui devront débrancher l'alimentation électrique de l'appareil avant de le réparer.

Pour éviter tout risque d'incendie, nettoyez fréquemment la hotte et les filtres afin d'empêcher les accumulations de graisse.

En cas d'incendie ou si vous faites flamber intentionnellement de l'alcool sur la table de cuisson,

suivez les instructions du fabricant. Faites preuve de prudence lorsque vous cuisinez avec de l'alcool (ex. : rhum, brandy, bourbon). L'alcool s'évapore à haute température. Les vapeurs d'alcool peuvent s'enflammer et présenter un risque de brûlure. Utilisez seulement une petite quantité d'alcool avec les aliments.

NE rangez PAS ou n'utilisez PAS de produits chimiques, corrosifs, inflammables, non alimentaires près ou dans cet appareil, lequel est spécifiquement conçu pour réchauffer ou faire cuire des aliments. L'utilisation de produits chimiques corrosifs pendant le réchauffage ou la cuisson peut endommager l'appareil et causer des blessures.

### AVERTISSEMENT

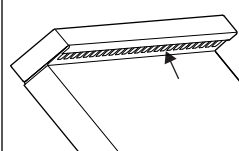
Vous ne devriez pas installer cet appareil avec un système de ventilation à aspiration descendante. Ce type de système de ventilation peut présenter des risques d'incendie et des problèmes de combustion et ainsi entraîner des blessures corporelles, des dommages matériels ou un fonctionnement involontaire. Aucune restriction ne s'applique aux systèmes de ventilation à aspiration ascendante.

### AVERTISSEMENT

#### Avertissements de la Proposition 65 de l'État de la Californie :

Ce produit contient des produits chimiques connus de l'État de la Californie pour causer le cancer, des anomalies congénitales ou d'autres problèmes de reproduction.

### AVERTISSEMENT



NE bloquez PAS et n'obstruez PAS les ouvertures du trou d'aération. Le trou d'aération est situé à l'arrière de l'appareil. Il doit être dégagé et ouvert pour fournir la circulation d'air

nécessaire au bon fonctionnement de l'appareil.

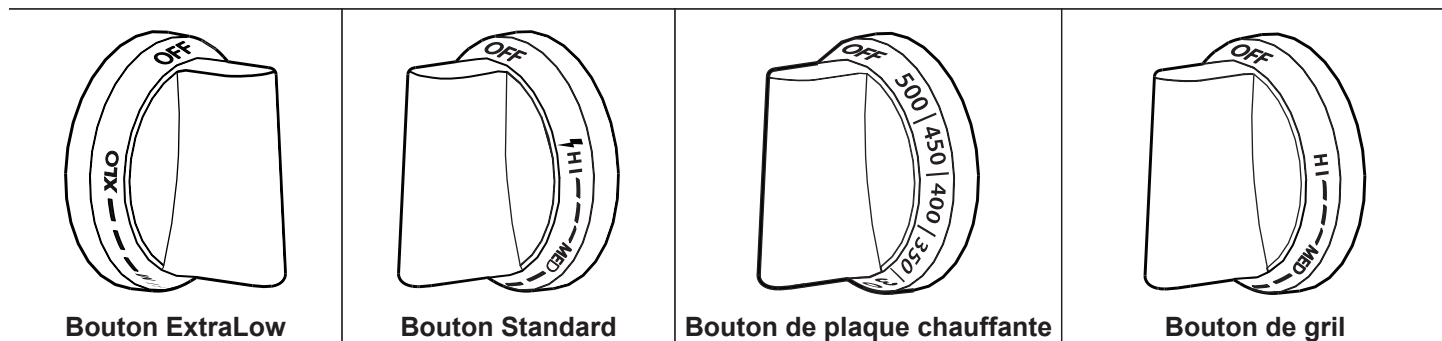
NE touchez PAS la zone entourant le trou d'aération lorsque l'appareil est en marche ou plusieurs minutes après son utilisation. Certaines pièces du trou d'aération et de la zone l'entourant deviennent assez chaudes pour causer des brûlures. Laissez passer assez de temps pour que l'appareil ait le temps de refroidir avant de toucher ou nettoyer le trou d'aération.

NE placez PAS d'objets de plastique ou d'autre matière sensible à la chaleur sur le trou d'aération ou près de celui-ci. Ils pourraient prendre feu.

# Description

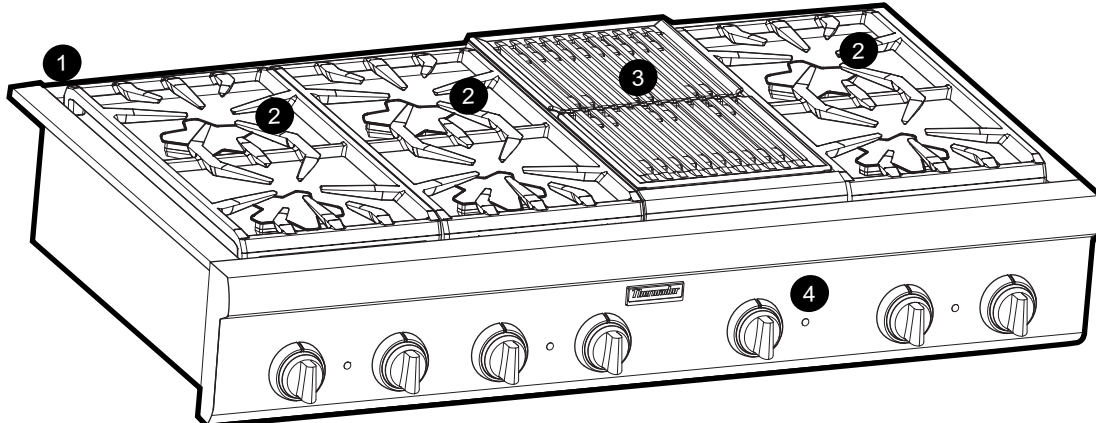
## Identification des pièces

### Description des tableaux de commande



### Tables de cuisson (les modèles varient)

Le modèle illustré est la tablas de cuisson de 48 po. avec grill (les modèles varient).



1. Garniture d'îlot ou dosseret bas
2. Grilles et brûleurs
3. Grill ou Plaque chauffante électrique (optionnelle)
4. Tableau de commande

Figure 1 : Tables de cuisson

# Avant de commencer

## Mise en route

Enlevez tout le matériel d'emballage et le ruban adhésif avant d'utiliser l'appareil. Débarrassez-vous du matériel d'emballage après l'installation. Ne laissez jamais des enfants jouer avec le matériel d'emballage.

## Plaque signalétique

Avant l'installation, vous devriez inscrire dans les espaces appropriés à la page 26 le numéro du modèle et le numéro de série. La plaque signalétique qui indique le numéro de modèle et le numéro de série de votre table de cuisson se trouve sous le rebord de la table de cuisson, près de la partie avant de la table de cuisson.

Ces renseignements sont requis si vous voulez recevoir du service à la clientèle. Avant l'installation, vous devriez inscrire dans les espaces appropriés de cette page le numéro du modèle et le numéro de série. Il est difficile d'avoir accès à ces renseignements une fois que l'installation est terminée.

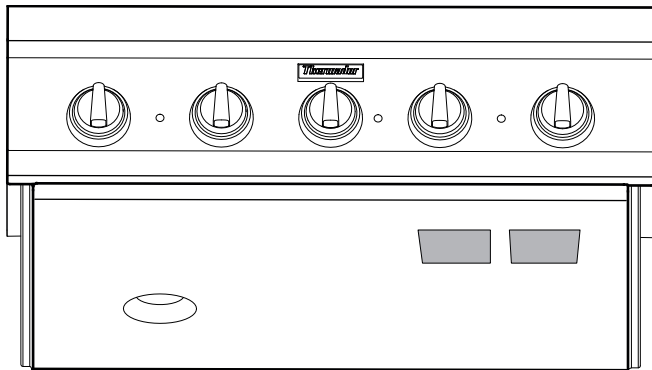


Figure 2 : Emplacement de la plaque signalétique

## Brûleurs de surface

1. **Assurez-vous que les chapeaux des brûleurs sont bien posés sur leurs bases sur la table de cuisson** (*“Vérification de la position des chapeaux des brûleurs.”*).
2. Allumez chaque brûleur pour vous assurer que la flamme est d'une couleur adéquate. Consultez la section *« Description de la flamme »* à la page 11 » pour plus de détails.

Les tables de cuisson PROFESSIONAL<sup>mc</sup> de THERMADOR dégagent parfois une odeur particulière ou de la fumée lors de la première utilisation. Ces odeurs ou cette fumée proviennent des résidus de fabrication qui brûlent, ce qui est caractéristique de toute nouvelle table de cuisson, indépendamment du fabricant.

Veillez noter que les oiseaux de compagnie peuvent être sensibles aux odeurs créées durant une cuisson à température élevée, qu'elles proviennent de la combustion de résidus de fabrication ou d'aliments. Il est donc recommandé de sortir les oiseaux de compagnie de la cuisine.

### IMPORTANT :

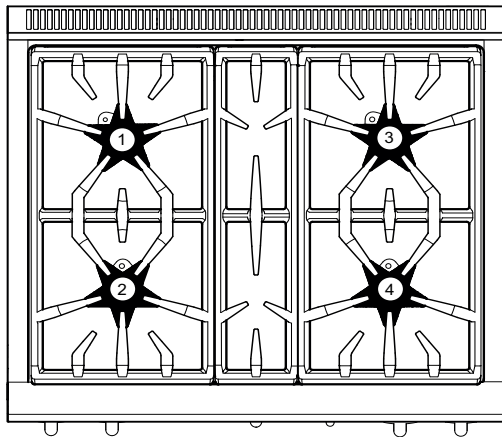
**Avant d'allumer la table de cuisson, assurez-vous que tous les boutons sont à la position OFF.**

Pour prévenir tout fonctionnement involontaire lorsque vous allumez l'appareil, veuillez placer tous les boutons à la position OFF.



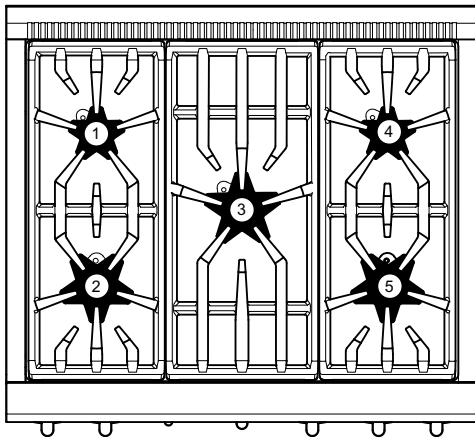
# Utilisation de la table de cuisson

## Brûleurs STAR scellés



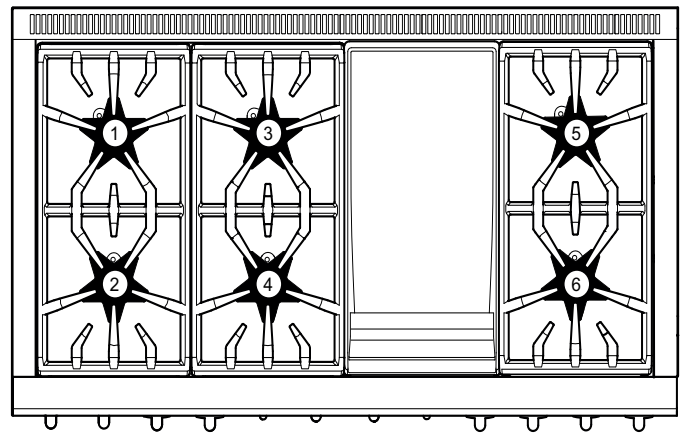
1. Brûleur arrière gauche (Gaz naturel 18 000 KW, GPL 15 000 KW) — Brûleur ExtraLow
2. Brûleur avant gauche (Gaz naturel 18 000 KW, GPL 15 000 KW) — Brûleur ExtraLow
3. Brûleur arrière droit (Gaz naturel 18 000 KW, GPL 15 000 KW)
4. Brûleur avant droit (Gaz naturel 18 000 KW, GPL 15 000 KW)

Figure 3 : Model PCG304



1. Brûleur arrière gauche (Gaz naturel 8 000 KW, GPL 6 000 KW) — Brûleur ExtraLow
2. Brûleur avant gauche (Gaz naturel 10 000 KW, GPL 9 100 KW)
3. Brûleur central (Gaz naturel 15 000 KW, GPL 11 000 KW)
4. Brûleur arrière droit (Gaz naturel 8000 KW, GPL 6 000 KW)
5. Brûleur avant droit (Gaz naturel 14 000 KW, GPL 15 000 KW) — Brûleur ExtraLow

Figure 4 : Model PCG305



1. Brûleur arrière gauche (Gaz naturel 18 000 KW, GPL 15 000 KW) — Brûleur ExtraLow
2. Brûleur avant gauche (Gaz naturel 18 000 KW, GPL 15 000 KW) — Brûleur ExtraLow
3. Brûleur central arrière (Gaz naturel 18 000 KW, GPL 15 000 KW)
4. Brûleur central avant (Gaz naturel 18 000 KW, GPL 15 000 KW)
5. Brûleur arrière droit (Gaz naturel 18 000 KW, GPL 15 000 KW)
6. Brûleur avant droit (Gaz naturel 18 000 KW, GPL 15 000 KW)

Figure 5: Modèles PCG364, PCG366, PCG486

## Mise en place des capuchons de brûleur

Chaque capuchon comporte une lettre (B, D, ou F) coulée dans la partie inférieure du capuchon correspondant à une lettre (B, D, ou F) coulée dans la base du brûleur solidaire de l'appareil.

- Placer chaque capuchon de brûleur sur la base du brûleur correspondant selon la lettre marquée sur chacun d'eux. Voir la figure ci-dessous.

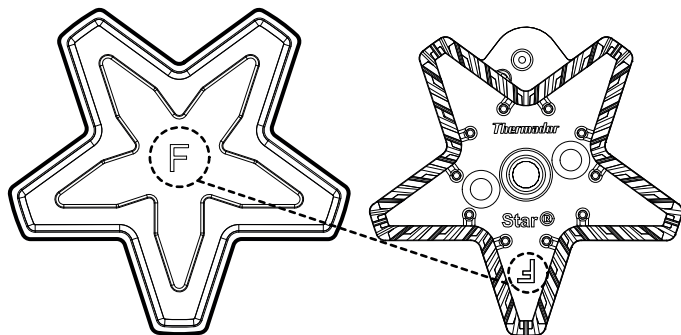


Figure 6 : Éléments du brûleur

- Placer le capuchon de brûleur délicatement sur la base de manière à ce que les pattes de la base du brûleur s'ajustent parfaitement dans la fente du capuchon de brûleur.

## Chapeaux des brûleurs

Pour assurer un fonctionnement approprié, les chapeaux des brûleurs STAR doivent être placés adéquatement sur leur base. Si le chapeau n'est pas placé adéquatement, l'un ou l'autre des problèmes suivants pourrait survenir :

- Les flammes du brûleur sont trop hautes.
- Des flammes excessives jaillissent du brûleur.
- Le brûleur ne s'allume pas.
- Les flammes du brûleur sont inégales.
- Le brûleur émet des odeurs.

### ⚠ AVERTISSEMENT

Pour prévenir toute brûlure, éviter de toucher les chapeaux et les grilles des brûleurs lorsqu'ils sont chauds. Éteignez la table de cuisson et laissez les brûleurs refroidir.

### ⚠ AVERTISSEMENT

Pour prévenir toute brûlure, éviter de toucher les chapeaux et les grilles des brûleurs lorsqu'ils sont chauds. Éteignez la table de cuisson et laissez les brûleurs refroidir.

## Vérification de la position des chapeaux des brûleurs.

- Vérifiez chaque brûleur pour vous assurer qu'il n'y a pas d'espace entre le chapeau et la base du brûleur. Voir *Figure 7* pour des exemples de chapeau de brûleur correctement ou incorrectement placés.
- Vous pouvez essayer de déplacer délicatement les chapeaux des brûleurs latéralement pour vous assurer qu'ils sont placés correctement sur leur base. Lorsqu'ils sont bien placés, les chapeaux des brûleurs sont droits sur la base et couvrent complètement la base du brûleur en forme d'étoile lorsque vous les regardez d'en haut, comme sur la *Figure 7*.

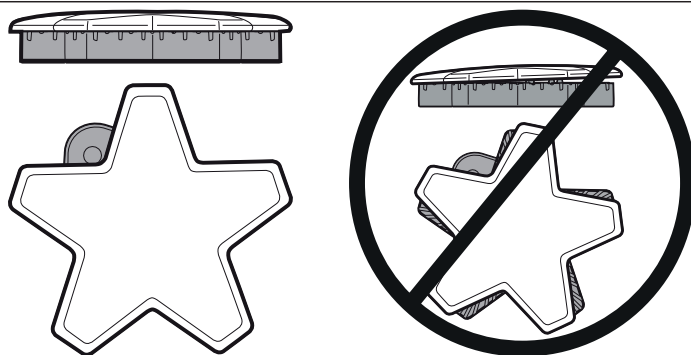


Figure 7 : Chapeau de brûleur correctement et incorrectement placé

## Positionnement des grilles des brûleurs

Assurez-vous que les grilles sont adéquatement positionnées sur la surface de cuisson avant d'utiliser les brûleurs. Les grilles sont conçues pour reposer dans la partie enfoncée de la surface de cuisson.

Pour installer les grilles des brûleurs, positionnez-les avec le côté plat vers le bas et alignez-les dans la partie enfoncée. Les grilles doivent s'appuyer les unes contre les autres et contre les côtés de la partie enfoncée.

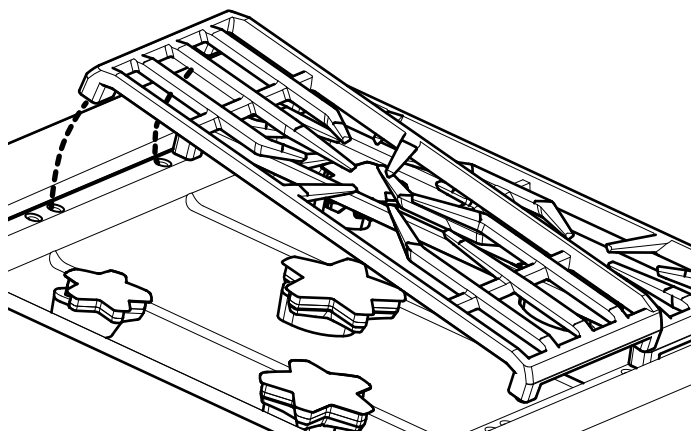


Figure 8 : Positionnement des grilles des brûleurs

## Boutons de commande

Le symbole au-dessus de chaque bouton identifie soit la position du brûleur sur la surface de cuisson ou le contrôle de la grille, selon le modèle.

## Fonctionnement des brûleurs

1. Poussez sur le bouton et tournez-le dans le sens antihoraire jusqu'au réglage **HI**.
  - L'allumeur du brûleur sélectionné émet des étincelles pour allumer le brûleur.
  - Une fois le brûleur allumé, l'allumeur cesse d'émettre des étincelles.
2. Tournez le bouton à n'importe quel réglage entre **HI** et **SIM**.
  - Un témoin lumineux bleu se trouve directement au-dessus de chaque bouton de commande de brûleur. Le témoin s'allume si le bouton de commande est tourné à un mode actif et s'éteint lorsqu'il est à la position **OFF**.

## Brûleurs ExtraLow<sup>mc</sup>

Les contrôles pour les brûleurs de gauche, avant et arrière, ont les mêmes réglages que les réglages standards **SIM**.

Le dessin montre la gamme supplémentaire de réglage du bouton entre les repères **SIM** et **XLO**. Lorsque le bouton est placé sur cette gamme, la flamme s'allume et s'éteint. La modification des durées pendant lesquelles la flamme reste allumée/éteinte permet de réduire davantage la quantité de chaleur et de cuire des aliments délicats. Le réglage très bas est utile pour faire mijoter, pocher, fondre du chocolat et du beurre, maintenir la température des plats préparés sans qu'ils roussissent ou brûlent, etc.

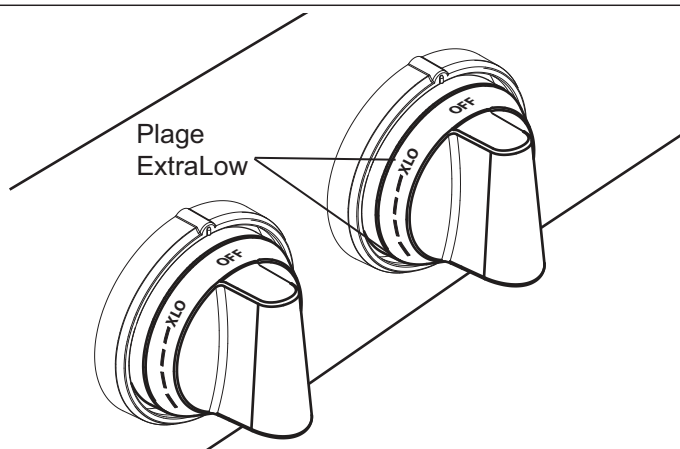


Figure 9 : Bouton de contrôle de brûleur ExtraLow

## Fonctionnement du brûleur ExtraLow<sup>mc</sup>

- **XLO**, le réglage le plus bas, fonctionne par cycles d'une minute avec alternance de flamme allumée pendant environ 7 secondes suivies d'environ 53 secondes de flamme éteinte.
- Lorsque le bouton est réglé juste en dessous du repère **SIM**, la flamme reste allumée pendant environ 53 secondes et s'éteint pendant environ 7 secondes.
- Pour faire varier la faible chaleur requise en fonction de l'aliment et de la quantité, vous pouvez régler la commande à n'importe quel point entre **SIM** et **XLO** sur le bouton.

## Techniques ExtraLow<sup>mc</sup>

- Le type et la quantité d'aliments déterminent le réglage à utiliser.
- Le réglage est également déterminé par le type de récipient choisi. Ses dimensions, sa forme, le matériau et l'utilisation ou non d'un couvercle sont des facteurs qui influent sur l'homogénéité de la température de cuisson.
- Pour maintenir une chaleur basse ou pour faire mijoter, portez les aliments à ébullition. Remuez bien, couvrez le récipient, puis baissez le réglage en plaçant le bouton juste en dessous de **SIM**.
- Vérifiez régulièrement s'il est nécessaire de modifier le réglage.
- Si vous utilisez un récipient surdimensionné, vos aliments mijoteront principalement au centre de celui-ci. Pour homogénéiser la température de l'ensemble, remuez pour ramener les aliments se trouvant sur les bords vers le centre.
- Quand un plat mijote, il est normal de le brasser de temps à autre, surtout s'il doit mijoter pendant plusieurs heures, comme dans le cas de haricots ou d'une sauce à spaghetti maison.
- Quand vous baissez le réglage de la flamme, faites-le par petites étapes.
- Si le réglage est trop bas pour faire mijoter, portez de nouveau à ébullition avant de ramener le bouton sur un réglage plus fort.
- Il est normal de ne pas voir de bulles à la surface après avoir remué les aliments.
- Il peut y avoir des bulles quand la flamme est allumée, qui disparaissent quand elle est éteinte. Même quand elle est éteinte, de la vapeur et un léger frémissement seront perceptibles à la surface du liquide.

## Rallumage automatique

Chaque brûleur STAR comporte son propre allumeur électronique qui produit des étincelles lorsque le bouton est activé. Les brûleurs doivent s'allumer en 4 secondes ou moins. Si le brûleur ne s'allume pas, assurez-vous que le chapeau est correctement posé sur sa base.

Si un ou plusieurs brûleurs s'éteignent, l'allumeur électronique produit automatiquement des étincelles pour rallumer la flamme. Ne touchez pas aux brûleurs pendant que les allumeurs produisent des étincelles.

### ⚠ ATTENTION

Ne touchez pas les brûleurs pendant que les allumeurs produisent des étincelles.

## Panne de courant

- En cas de panne de courant, seuls les brûleurs standards peuvent être allumés manuellement. Chacun d'eux doit être allumé individuellement.
- Si une panne de courant survient pendant que vous utilisez la cuisinière, tournez tous les boutons à la position OFF.
- Vous pouvez allumer les brûleurs STAR<sup>mc</sup> standards en approchant une allumette enflammée près des orifices et en tournant le bouton à la position HI. Attendez que la flamme soit allumée tout autour du chapeau du brûleur avant de la régler à la hauteur voulue.
- N'essayez pas d'allumer les deux brûleurs XLO<sup>mc</sup> de gauche et les deux brûleurs XLO de droite pendant une panne de courant. Ces brûleurs sont munis de la fonction ExtraLow<sup>mc</sup> et ne peuvent être allumés manuellement.
- Si un brûleur ExtraLow est allumé pendant une panne de courant, il ne peut être remis en circuit tant que le bouton n'est pas réglé à la position OFF.
- La plaque chauffante et le gril ne peuvent être utilisés pendant une panne de courant.
- Si vous détectez une odeur de gaz, consultez les instructions de sécurité de la *page 1*.

### ⚠ AVERTISSEMENT

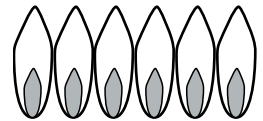
En cas de panne de courant, mettez tous les boutons à la position OFF. Seuls les brûleurs standards STAR peuvent être allumés manuellement.

## Hauteur de la flamme

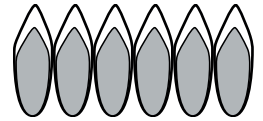
- La hauteur correcte de la flamme dépend : (1) de la taille et du matériau du récipient utilisé; (2) des aliments à cuire; et (3) de la quantité de liquide dans le récipient.
- La flamme ne doit pas dépasser les côtés de la base du récipient.
- Utilisez une flamme basse ou moyenne pour les récipients dont le matériau conduit lentement la chaleur, comme l'acier émaillé ou la vitrocéramique.

## Description de la flamme

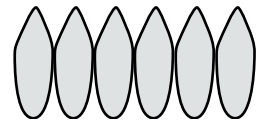
**Flamme jaune :**  
Réglage nécessaire



**Pointe jaune sur cône extérieur :**  
Normal pour gaz LP



**Flamme bleue :**  
Normal pour gaz naturel



Si la flamme est complètement ou presque jaune, assurez-vous que le régulateur est réglé pour le combustible approprié. Après le réglage, vérifiez de nouveau.

Des rayures de couleur orangée sont normales pendant la mise en marche initiale. Laissez l'appareil fonctionner de 4 à 5 minutes et évaluez de nouveau avant d'effectuer les réglages.

**Figure 10 : Caractéristiques des flammes**

- La flamme des brûleurs doit être bleue sans pointe jaune. Elle devient parfois partiellement orange : cela indique que des impuretés flottant dans l'air sont en train de se consumer. Elles disparaîtront avec l'usage.
- Avec le gaz propane, il est normal qu'il y ait un peu de jaune dans le cône primaire.
- La flamme doit brûler tout autour du chapeau du brûleur. Si ce n'est pas le cas, assurez-vous que le chapeau est bien posé sur la base et que les orifices ne sont pas bouchés.
- La flamme doit être stable, ne pas voltiger ni faire de bruit excessif.

# Récipients recommandés

## ▲ MISE EN GARDE

Pour éviter tout risque de dommages sérieux à l'appareil ou à un récipient, observez les consignes suivantes:

- Les grands récipients, les plaques à biscuits, etc. ne doivent pas être utilisés sur la surface de cuisson.
- Placez les grandes casseroles de façon décalée lorsque vous utilisez la surface de cuisson.

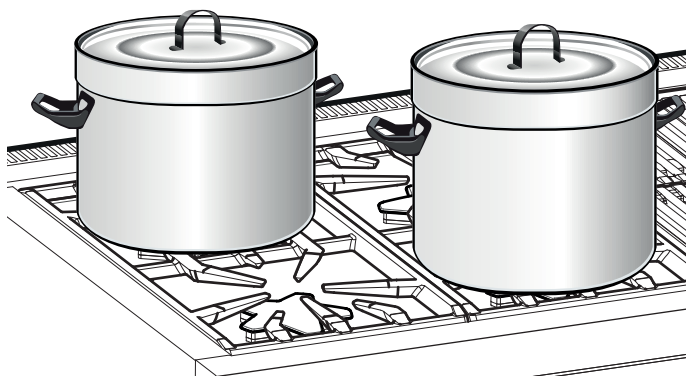


Figure 11 : Placez les grandes casseroles de façon décalée

- Choisissez une casserole dont la base correspond au diamètre de la flamme. La flamme doit être égale ou légèrement plus petite que la base du récipient. Des récipients surdimensionnés ou sous-dimensionnés nuisent aux résultats de la cuisson. Une base d'un diamètre de 5½ po (14 cm) est généralement la plus petite taille conseillée.
- Évitez d'utiliser un réglage de flamme intense lors de l'utilisation d'un poêlon plus grand que la grille ou qui occupe plus que l'espace d'un seul brûleur, comme une plaque, pour de longues périodes. Cela peut générer une mauvaise combustion et des vapeurs nocives.
- L'assise du récipient est un facteur important de stabilité et d'uniformité de la cuisson. La poignée ne doit pas être plus lourde que le récipient, car celui-ci pourrait pencher sur un côté. Le récipient doit reposer bien à plat sur la grille sans se balancer ni être instable.

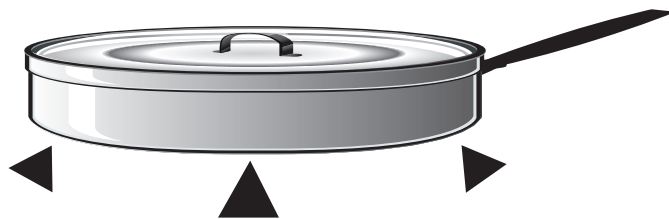


Figure 12 : Récipient stable

- Les aliments enveloppés dans du papier aluminium ne doivent pas être placés directement sur la grille du brûleur, car l'aluminium peut fondre pendant la cuisson.
- Ne laissez pas du plastique, du papier ou du tissu entrer en contact avec une grille de brûleur chaude. Ils pourraient fondre ou s'enflammer.
- Ne laissez jamais une casserole cuire à sec. Vous pourriez endommager la casserole et la surface de cuisson.
- Des récipients de qualité professionnelle à poignée métallique sont recommandés, car les poignées en plastique risquent de fondre ou de se déformer si la flamme déborde du récipient. Des récipients de qualité professionnelle sont en vente dans les magasins de fournitures pour restaurant et dans les boutiques gastronomiques. Tous les récipients utilisés doivent posséder les caractéristiques suivantes : bonne conductivité de la chaleur, bonne assise, dimensions adéquates du diamètre de la base, base lourde et fond plat, et couvercle bien adapté.
- Pour de meilleurs résultats de cuisson, la flamme ne doit pas déborder du fond de la casserole.
- L'aluminium et le cuivre sont des matériaux qui conduisent la chaleur rapidement et uniformément. Le fond des récipients est souvent fabriqué avec ces métaux. Ils peuvent également être insérés entre des couches d'acier inoxydable.
- Un fond plat et lourd est plus stable lorsque chauffé. Les casseroles déformées, légères et bosselées ne permettent pas une cuisson uniforme. Chauffez et refroidissez les casseroles graduellement pour éviter les changements soudains de température, qui peuvent déformer les casseroles. Ne mettez pas d'eau froide dans une casserole chaude.

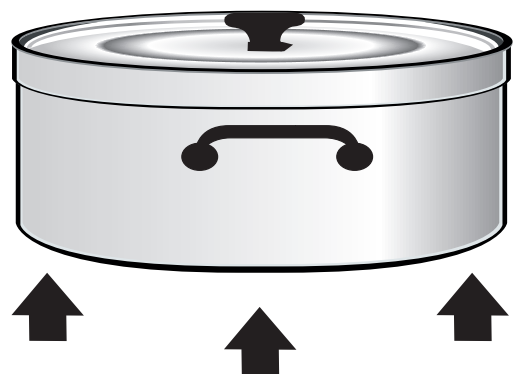


Figure 13 : Récipient à fond plat

- Un couvercle adapté au diamètre d'un récipient raccourcit le temps de cuisson et permet l'utilisation de réglages plus bas.

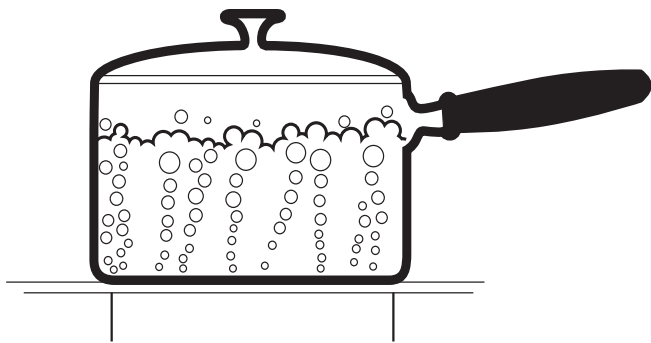


Figure 14 : Récipient à fond plat

## Récipients pour spécialités

### Woks

- Les woks à fond plat ou rond avec un anneau de support peuvent être utilisés sur tous les modèles. Un anneau de support doit être utilisé avec les woks à fond rond. Le wok et l'anneau à wok en fonte revêtu d'une couche de porcelaine sont vendus séparément.

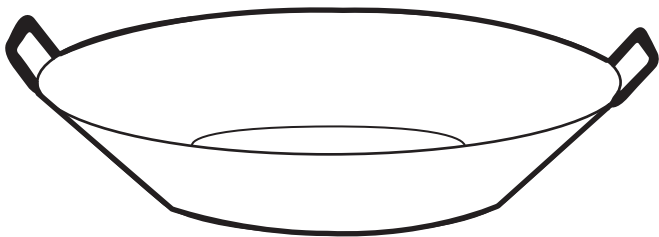


Figure 15 : Wok à fond plat

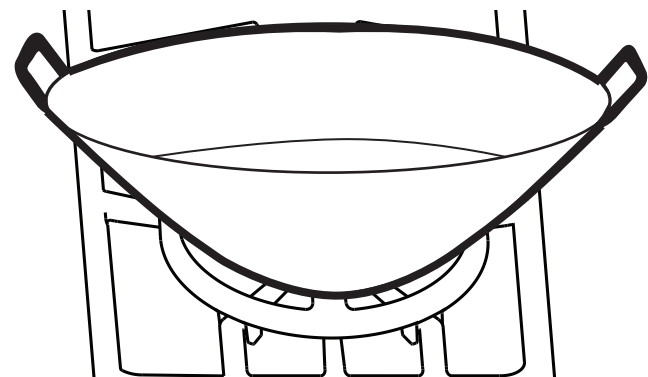


Figure 16 : Wok à fond rond dans un anneau de support

### Cocottes et marmites

- Choisissez une base dont le diamètre dépasse au maximum de 2 po (51 mm) de la grille.

### Bain-marie de dimensions standards

- 21 à 22 pintes (19,95 à 20,9 litres) avec une base de 11-12 po (279 à 305 mm) et une hauteur de 9 à 11 po (229 à 279 mm).

### Cocotte-Minute de dimensions standards

- 8 à 22 pintes (7,6 à 20,9 litres) avec une base de 8 à 11 po (20,3 à 27,9 cm) et une hauteur de 6,5 à 12 po (165 à 305 mm).

### Conseils d'utilisation:

- Il est préférable d'utiliser un récipient à fond plat qu'un récipient à fond concave, convexe ou ondulé.
- Si vous utilisez deux cocottes en même temps, placez-les sur des brûleurs décalés. Ne bloquez pas la circulation d'air autour des brûleurs. La flamme a besoin d'une certaine quantité d'air pour bien brûler.
- Mettez un couvercle sur la cocotte lorsque vous portez son contenu à ébullition.
- Quand le contenu bout au réglage HI, baissez la flamme le plus possible pour maintenir à ébullition ou maintenir la pression.
- La cuisson à la cocotte produit de grandes quantités de vapeur. Faites attention pour ne pas vous brûler.

## Conseils de cuisson

Consultez le tableau des *page 14* pour vous guider. Les réglages à utiliser varient selon l'ustensile choisi et la température initiale des aliments.

Dans le tableau, le « Réglage final » est séparé pour les brûleurs standards et les brûleurs ExtraLow<sup>mc</sup>. Selon le cas, ce réglage sera identique ou différent.

Le réglage ExtraLow des brûleurs STAR<sup>mc</sup> peut être un réglage de cuisson ou de maintien de température.

Augmentez ou diminuez la flamme progressivement. Laissez le temps au récipient et aux aliments de réagir au nouveau réglage.

## Conseils de cuisson – Brûleurs de la table de cuisson

ALIMENTS	RÉGLAGE INITIAL	RÉGLAGE FINAL – BRÛLEURS STANDARDS	RÉGLAGE FINAL – BRÛLEURS EXTRALOW <sup>MC</sup> (XLO)
<b>BOISSONS</b> Cacao	<b>MED</b> – Chauffer le lait, couvrir	<b>SIM</b> – Finir de chauffer	<b>XLO</b> – Maintenir au chaud, couvrir
<b>PAIN</b> Pain doré Crêpes Sandwiches grillés	<b>MED</b> – Préchauffer le poêlon	<b>SIM à MED</b> – cuire	Identique aux brûleurs standards
<b>BEURRE</b> À fondre	<b>SIM</b> – pour commencer à faire fondre		Laisser fondre pendant 5 à 10 minutes
<b>CÉRÉALES</b> Semoule de maïs, gruau, avoine	<b>HI</b> – Couvrir, porter l'eau à ébullition, ajouter les céréales	<b>SIM à MED</b> – terminer la cuisson selon les instructions sur l'emballage.	<b>XLO</b> – Pour maintenir la température, couvrir*
<b>CHOCOLAT</b> À fondre	<b>XLO</b> – peut être remué pour faire fondre plus vite		<b>XLO</b> – Laisser fondre pendant 10 à 15 minutes. <b>XLO</b> – Pour maintenir la température
<b>DESSERTS</b> Bonbons	<b>SIM à MED</b> – cuire selon la recette	<b>SIM à MED</b>	Identique aux brûleurs standards
Pouding et mélange pour garniture à tarte	<b>SIM à MED SIM</b> – suivre les indications sur l'emballage	<b>SIM</b>	Identique aux brûleurs standards
Pudding	<b>SIM à MED SIM</b> – Faire bouillir le lait	<b>SIM</b>	Identique aux brûleurs standards
<b>OEUFS</b> À la coque	<b>MED HI</b> – couvrir les œufs avec de l'eau, couvrir, porter l'eau à ébullition		<b>XLO</b> – 3 à 4 minutes pour œufs mollets; 15 à 20 minutes pour œufs durs
Frits, brouillés	<b>SIM à MED</b> – Faire fondre le beurre, ajouter les œufs	<b>SIM</b> – pour terminer la cuisson	Identique aux brûleurs standards
Pochés	<b>HI</b> – Porter à ébullition, ajouter les œufs	<b>SIM à MED</b> – pour terminer la cuisson	Identique aux brûleurs standards
<b>VIANDE, POISSON, VOLAILLES</b> Bacon, Saucisses, galettes	<b>HI</b> – Jusqu'à ce que la viande commence à grésiller	<b>SIM à MED</b> – pour terminer la cuisson	Identique aux brûleurs standards
Braiser : steak suisse, rôti à la cocotte, ragoût	<b>MED HI</b> – Faire fondre la graisse, faire revenir à <b>MED HI</b> à <b>HI</b> , ajouter du liquide, couvrir		<b>XLO</b> Laisser mijoter jusqu'à ce que la viande soit tendre
Grillade rapide au poêlon; steaks pour déjeuner	<b>MED HI</b> – préchauffer le poêlon	<b>MED à MED HI</b> – frire rapidement au poêlon	Identique aux brûleurs standards
Friture : poulet	<b>MED HI</b> – Faire chauffer l'huile puis faire dorer à <b>MED</b>	<b>SIM</b> – couvrir pour terminer la cuisson	Identique aux brûleurs standards
Grande friture : crevettes	<b>MED HI</b> – Faire chauffer l'huile	<b>MED à MED HI</b> – pour maintenir la température	Identique aux brûleurs standards

ALIMENTS	RÉGLAGE INITIAL	RÉGLAGE FINAL – BRÛLEURS STANDARDS	RÉGLAGE FINAL – BRÛLEURS EXTRALOW <sup>MC</sup> (XLO)
Grillade au poêlon : côtelettes d'agneau, steaks minces, hamburgers, saucisses en chapelet	<b>MED HI</b> – Préchauffer le poêlon	<b>MED</b> – pour brunir la viande	Identique aux brûleurs standards <b>XLO</b> – pour maintenir
Pocher : poulet, entier ou morceaux, poisson	<b>MED HI</b> – Couvrir, porter à ébullition		Pour terminer la cuisson
Faire mijoter : poulet à l'étouffée, corned-beef, langue, etc.	<b>HI</b> – Couvrir, porter à ébullition		<b>XLO</b> - Pour mijoter lentement <b>XLO</b> - Pour maintenir la chaleur, couvrir
<b>PÂTES</b> Macaronis, nouilles, spaghettis	<b>HI</b> – Porter l'eau à ébullition, ajouter les pâtes	<b>MED à HI</b> – pour maintenir à ébullition	Identique aux brûleurs standards
<b>COCOTTE-MINUTE</b> Viande	<b>MED HI à HI</b> – faire monter la pression	<b>SIM à MED</b> – maintenir la pression	Identique aux brûleurs standards
Légumes	<b>HI</b> – faire monter la pression	<b>MED SIM à MED</b> – maintenir la pression	Identique aux brûleurs standards
<b>RIZ</b>	<b>HI</b> – Couvrir, porter l'eau et le riz à ébullition.	Réduire la chaleur à <b>SIM</b> . Couvrir et faire cuire jusqu'à ce que l'eau soit absorbée	Faire cuire selon les instructions du sachet <b>XLO</b> – Pour maintenir la chaleur, couvrir
<b>SAUCES</b> Sauce tomate	<b>MED HI</b> – cuire la viande/les légumes selon la recette	<b>SIM</b> pour faire mijoter	<b>XLO</b> – laisser mijoter sans couvercle pour que la sauce épaississe
Sauce blanche, à la crème, béarnaise	<b>MED</b> – Faire fondre la graisse, suivre la recette	<b>SIM</b> – pour terminer la cuisson	<b>XLO</b> – Pour maintenir la chaleur, couvrir
Hollandaise	<b>XLO</b>		<b>XLO</b> – Pour maintenir la chaleur, réglage le plus bas
<b>SOUPES, BOUILLONS</b>	<b>HI</b> – Couvrir, porter à ébullition	<b>SIM</b> pour faire mijoter	Mijoter à <b>XLO</b> – Pour maintenir la chaleur, couvrir
<b>LÉGUMES</b> Frais	<b>HI</b> – Couvrir, porter l'eau et les légumes à ébullition	<b>SIM à MED</b> – faire cuire 10 minutes ou jusqu'à ce qu'ils soient tendres	Identique aux brûleurs standards <b>XLO</b> – pour maintenir la chaleur, couvrir
Congelés	<b>HI</b> – Couvrir, porter l'eau et les légumes à ébullition	<b>SIM à MED</b> – faire cuire selon les instructions du paquet	Identique aux brûleurs standards
Grande friture	<b>HI</b> – Faire chauffer l'huile	<b>MED à MED HI</b> – pour conserver la température de friture	Identique aux brûleurs standards
Sautés	<b>MED HI</b> – Faire chauffer l'huile ou faire fondre le beurre, ajouter les légumes	<b>SIM à MED</b> – laisser cuire jusqu'au point de cuisson désiré	Identique aux brûleurs standards
Revenus à la poêle	<b>HI</b> – Faire chauffer l'huile, ajouter les légumes	<b>HI à HI</b> – pour terminer la cuisson	Identique aux brûleurs standards



# Utilisation de la plaque chauffante électrique

(disponible avec certains modèles)

## Description

La plaque chauffante encastrée est faite d'aluminium de qualité professionnelle avec un fini antiadhésif. Cela donne une surface facile à nettoyer où la chaleur se répand de façon uniforme.

Une planche à découper en érable, un couvercle en acier inoxydable et un grill avec revêtement en aluminium sont disponibles comme accessoires et peuvent être achetés séparément. La planche à découper en érable et le couvercle en acier inoxydable sont conçus pour s'ajuster à la surface lorsque la plaque n'est pas utilisée. Le grill avec revêtement en aluminium est conçu pour remplacer la plaque chauffante. Consultez les instructions de la plaque chauffante pour obtenir de plus amples détails.

La planche à découper et le couvercle doivent être enlevés avant d'utiliser la plaque chauffante.

### **⚠ AVERTISSEMENT**

L'élément de la plaque chauffante reste chaud après utilisation. Prévoyez suffisamment de temps pour que tous ses composants refroidissent avant de les nettoyer.

### **⚠ MISE EN GARDE**

Pour éviter tout risque de blessure, n'utilisez **JAMAIS** la plaque chauffante sans sa plaque. N'utilisez **JAMAIS** la plaque chauffante d'une manière non indiquée dans le guide d'utilisation et d'entretien.

N'utilisez jamais la plaque d'une façon autre que ce qui est indiqué dans le guide d'utilisation et d'entretien.

Le plateau (ou le grill) doit toujours être en place lors de l'utilisation de la plaque chauffante.

- La tension d'alimentation nominale de l'élément de la plaque chauffante est de 120 VAC, 1630 watts.
- La plaque chauffante est ajustée électroniquement aux températures indiquées sur les boutons, de 150°F à 500°F (66°C à 260°C).
- Il n'y a pas de réglages fixes sur les boutons.
- Appuyez et tournez les boutons dans le sens horaire pour obtenir le réglage désiré.

## Préparation de la plaque

Assurez-vous que la plaque chauffante est bien ajustée en versant deux cuillerées d'eau à l'arrière de la plaque. L'eau devrait lentement couler vers les collecteurs de graisse. Autrement, ajustez les deux vis situées sous la plaque, à l'arrière de celle-ci. Commencez par dévisser les vis d'un demi-tour. Les ajustements subséquents devraient se faire par quart de tour jusqu'à ce que l'eau coule dans les collecteurs de graisse (*Figure 17*).

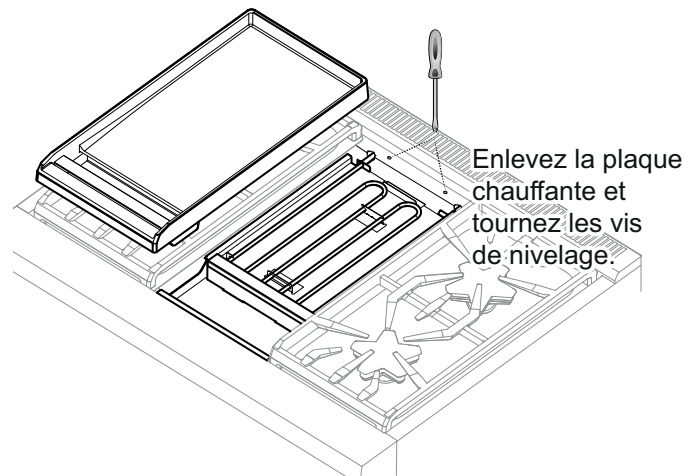


Figure 17 : Vis de nivelage de la plaque chauffante

Avant d'être utilisée, la plaque chauffante doit être lavée à l'eau chaude savonneuse, puis rincée à l'eau claire. La plaque peut être utilisée sans beurre, margarine ou huile. Toutefois, une petite quantité peut être utilisée pour donner du goût aux aliments.

N'utilisez PAS des ustensiles métalliques sur la surface de la plaque chauffante. Prenez garde de ne pas endommager la surface avec les ustensiles. Ne coupez pas directement d'aliments sur la plaque chauffante.

**AVIS :** Le rendement de la plaque chauffante ou du grill peut varier si la circulation d'air près de l'appareil est trop élevée. Une circulation d'air excessive pourrait provenir d'un ventilateur de plafond ou d'un appareil de climatisation soufflant sur la surface de cuisson. Cela pourrait prolonger le temps d'échauffement ou faire en sorte que la température de la plaque chauffante ne corresponde pas à ce que le réglage des boutons de commande indique.

**NOTE :** Une hotte dûment installée n'est pas considérée comme une source de circulation d'air excessive.

## Conseils de cuisson plaque chauffante

ALIMENT	RÉGLAGE
Œufs	325°F – 350°F (160°C – 180°C)
Bacon, saucisses à déjeuner	450°F – 475°F (230°C – 245°C)
Sandwichs grillés	375°F – 400°F (190°C – 200°C)
Poitrines de poulet désossées	425°F – 450°F (220°C – 230°C)
Côtelettes de porc désossées de 1 po (25,4 mm) d'épaisseur	425°F – 450°F (220°C – 230°C)
Steaks de 1 po (25,4 mm) d'épaisseur	450°F – 475°F (230°C – 245°C)
Boulettes de bœuf haché de 6 onces	450°F – 475°F (230°C – 245°C)
Boulettes de dinde hachée, 6 onces	450°F – 475°F (230°C – 245°C)
Hot Dogs	350°F – 375°F (180°C – 190°C)
Tranches de jambon de 1/2 po (12,7 mm) d'épaisseur	350°F – 375°F (180°C – 190°C)
Crêpes, pain doré	400°F – 425°F (200°C – 220°C)
Pommes de terre, pommes de terre rissolées	400°F – 425°F (200°C – 220°C)

\* Pour garantir une cuisson uniforme, assurez-vous que l'épaisseur des aliments est uniforme.

Utilisez le réglage de température le plus bas possible. Vous pourriez avoir à modifier les recettes, car le revêtement antiadhérent brunit et saisit les aliments à de basses températures.

## Recommandations pour le nettoyage

- N'immergez **JAMAIS** une plaque chauffante chaude dans l'eau froide. La plaque d'aluminium pourrait gondoler ou se fissurer.
- Ne nettoyez **AUCUNE** partie du gril ou de la plaque chauffante dans le four en mode autonettoyage.

- Prenez garde de ne pas endommager la surface avec les ustensiles.
  - Ne coupez pas directement d'aliments sur la plaque chauffante.
  - Ne pas utiliser des ustensiles en métal.
  - Utilisez des ustensiles de plastique ou de bois pour éviter d'égratigner la surface antiadhérente.
- Vous pouvez laver la plaque chauffante au lave-vaisselle. Cependant, nous recommandons de la laver à la main.

## Plateau à graisse de la plaque chauffante

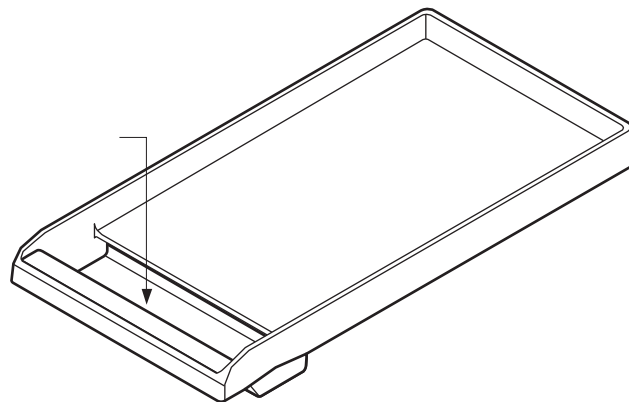


Figure 18 : Plateau à graisse

- Nettoyez le plateau à graisse après chaque utilisation. Lorsque vous le retirez en l'inclinant, faites attention pour ne pas que son contenu se déverse.
- Le plateau de la plaque chauffante et son plateau à graisse sont lavables au lave-vaisselle.
- Lorsqu'elle a refroidi, versez la graisse dans un contenant résistant à la graisse avant de la jeter.

## Cuisson sur la plaque chauffante

1. Tournez le bouton à la température de cuisson appropriée pour préchauffer la plaque chauffante.
2. Préchauffez-la jusqu'à ce que le témoin de la plaque s'éteigne.
3. Ajoutez du beurre, de la margarine, de l'huile ou de la graisse végétale, si désiré.

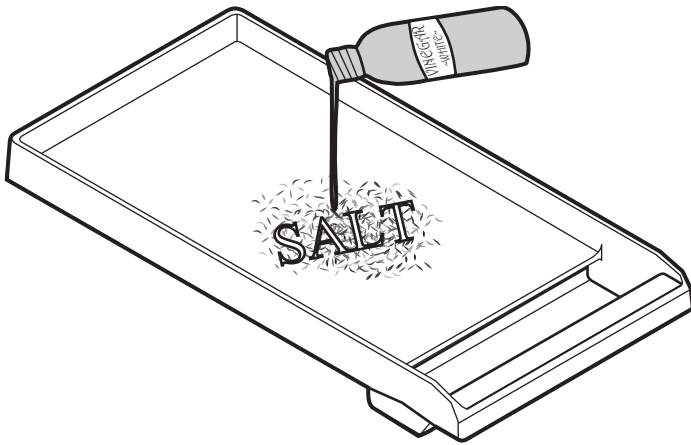
# Instructions de graissage de la plaque chauffante

Si la plaque chauffante perd ses propriétés antiadhérentes au fil du temps, suivez les instructions suivantes pour les lui redonner. Pour assurer le rendement optimal et la longévité de votre plaque chauffante, suivez ces instructions simples de nettoyage et de graissage.

## Préparation de la plaque chauffante pour le graissage

La plaque chauffante doit être propre et tous les résidus doivent être enlevés avant de procéder au graissage.

1. Utilisez un mélange de gros sel avec un peu de vinaigre blanc pour déloger les résidus de la plaque chauffante..

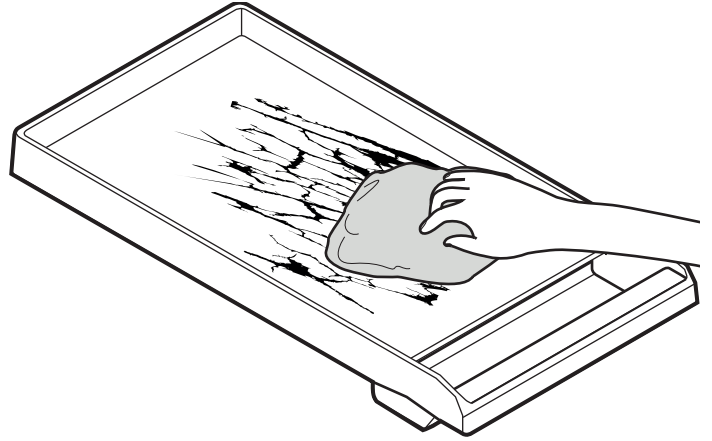


2. Rincez en profondeur avec de l'eau claire.
3. Séchez totalement la plaque chauffante.

## Graissage de la plaque chauffante

Le graissage est un processus par lequel une couche de graisse animale ou d'huile végétale est appliquée et cuite sur un ustensile de cuisson. La couche d'huile fournit une surface antiadhérente.

1. Utilisez un essuie-tout pour appliquer une couche mince et uniforme de lard, de Crisco<sup>mc</sup>, ou d'huile d'olive sur la surface de la plaque chauffante..



2. Faites cuire la plaque chauffante à 350 °F pendant une heure.
3. Retirez la plaque chauffante du four et laissez-la refroidir à la température ambiante.
4. Appliquez une deuxième couche de graisse ou d'huile et faites cuire la plaque chauffante à 350 °F pendant une autre heure.
5. Répétez le processus au moins une autre fois pour un total de trois couches d'huile ou de graisse.

## Après le graissage

1. Après avoir fait cuire votre plaque chauffante, laissez-la refroidir et nettoyez-la avec un chiffon humide. Laissez-la sécher.
2. Ajoutez une mince couche d'huile ou de graisse avant d'entreposer la plaque chauffante dans un endroit frais et sec.
3. Ce processus redonnera à la plaque chauffante ses propriétés antiadhérentes. Le rendement de la plaque chauffante s'améliorera avec d'autres graissages.
4. Pour dégraisser la plaque chauffante avant de procéder à son graissage, utilisez un mélange de sel et de vinaigre.

# Utilisation du gril électrique

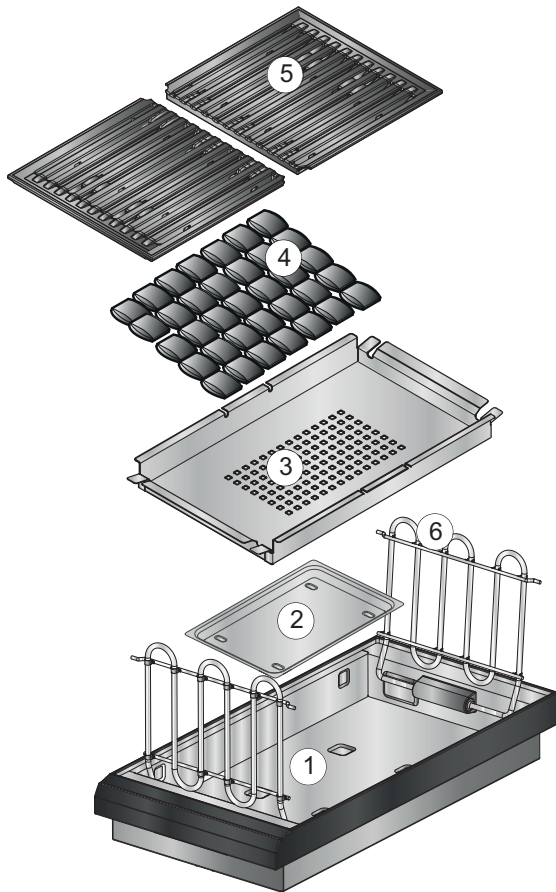
(disponible sur certains modèles)

## Description

Les grilles du gril encastrable sont faites de fonte de qualité professionnelle. Ce métal fait en sorte que les grilles répartissent uniformément la chaleur et sont faciles à nettoyer.

Il est possible d'installer une plaque chauffante de fonte antiadhérente (*PAGRIDDLEN*), vendue séparément. Consultez les instructions de l'accessoire de la plaque chauffante pour obtenir plus de détails.

## Assemblage du gril



1. Boîtier du gril
2. Plateau à graisse
3. Panier des briquettes de céramique
4. Briquettes de céramique
5. Grilles du gril (x2)
6. Éléments (x2)

1. Effectuez la rotation des éléments (6) et enlevez le briquettes de céramique (3) se trouvant à l'intérieur du boîtier du gril (1).
2. Installez le plateau à graisse (2) sous le boîtier du gril (1). (Le plateau à graisse est emballé dans la grande boîte en carton qui se trouvait sur le dessus de la cuisinière.) Alignez les saillies du plateau à graisse (2) avec les cavités situées sous le boîtier (1).
3. Mettez le briquettes de céramique (4) dans le boîtier du gril (1).
4. Disposez les briquettes de céramique (4) dans le panier à briquettes (3), en une seule couche, de façon à ce que chacune d'elles touche les autres briquettes adjacentes. Les briquettes de céramique ne doivent pas entrer en contact avec les éléments chauffants.
5. Rabattez les deux éléments chauffants du gril vers le bas (6). Les éléments chauffants du gril doivent être à plat. Les supports doivent reposer à l'intérieur des crans latéraux.
6. Installez les grilles du gril (5). Assurez-vous que les grilles sont installées de niveau dans le boîtier du gril (1).

### ⚠ AVERTISSEMENT

- Pour éviter tout risque de blessure, ne faites **JAMAIS** fonctionner le gril s'il n'y a pas de grilles ou de plaque chauffante installées.
- Ne laissez **JAMAIS** le gril sans surveillance lorsque vous cuisinez.
- Faites attention lorsque vous utilisez de l'huile et de la graisse. Lorsqu'ils sont surchauffés, les huiles et la graisse peuvent provoquer des incendies.
- N'utilisez **PAS** de copeaux de bois, pierres de lave, ou de briquettes de charbon. N'utilisez que les briquettes de céramique (*PABRICKBKN*) recommandées.
- N'utilisez **PAS** de plats, casseroles, poêlons ou autre ustensile sur le gril.
- **N'utilisez jamais du papier d'aluminium pour couvrir les grilles ou envelopper le gril.** Vous pourriez endommager le gril et causer un incendie si de la chaleur reste emprisonnée.
- Vérifiez le plateau à graisse avant chaque utilisation. Une trop grande quantité de graisse dans le plateau peut causer un risque d'incendie.
- Si des flammes apparaissent, nettoyez le gras accumulé sur les grilles, le plateau à graisse, le panier des briquettes de céramique et les autres surfaces.
- L'accumulation de graisse favorise la formation de flammes et de fumée pendant la cuisson.
- Vous devez remplacer les briquettes de céramique lorsqu'elles sont noires, ce qui signifie qu'elles sont saturées de gras. Elles peuvent alors générer beaucoup de fumée ou prendre feu pendant le fonctionnement de l'appareil.

- Lavez les grilles du gril avec de l'eau chaude savonneuse, puis rincez-les à l'eau claire avant chaque utilisation.

#### IMPORTANT :

- Si des flammes se forment pendant l'utilisation du gril, éteignez l'appareil et retirez les aliments. Prenez garde de ne pas vous blesser lorsque vous retirez les aliments.
- Souvent, les flammes s'éteignent d'elles-mêmes en quelques minutes une fois que les accumulations de graisse se sont consumées. Ne laissez pas le gril sans surveillance avant que les flammes ne se soient éteintes. Vous pouvez étouffer les flammes en les saupoudrant d'une généreuse couche de bicarbonate de soude ou de sel.
- Si des flammes se forment, vous devriez remplacer les pierres à lave ou les briquettes de céramique et nettoyer le gras accumulé sur les grilles, le plateau à graisse, le panier briquettes de céramique et les autres surfaces avant d'utiliser à nouveau le gril. Les accumulations de graisse favorisent la formation de flammes et de fumée pendant la cuisson.
- Séchez les aliments humides avant de les mettre sur le gril.
- Plus un aliment est humide, plus il est susceptible de produire de la fumée.
- Lorsque vous utilisez le gril, la graisse qui s'échappe des aliments peut s'enflammer brièvement.

#### AVERTISSEMENT

##### POUR ÉVITER TOUT RISQUE DE BRÛLURE :

- Utilisez les ustensiles appropriés avec de longues poignées qui vous permettent de manier les aliments loin de la chaleur et des flammes.
- **NE** portez **PAS** de vêtements amples lorsque vous cuisinez.
- Ne laissez jamais le gril sans surveillance lorsque vous cuisinez.
- Après chaque utilisation, enlevez les accumulations de graisse sur la surface du gril et dans les plateaux à graisse pour réduire les risques d'incendie. Vous devriez également nettoyer régulièrement la hotte et les surfaces adjacentes au gril selon les recommandations du manuel d'utilisation.
- Gardez un extincteur à portée de la main.

- Les commandes électroniques du gril permettent d'ajuster l'intensité de LOW à HIGH. Les boutons ne sont pas munis de réglages fixes.
- Les deux éléments chauffants du gril peuvent être ajustés séparément. Cela vous permet de faire griller des aliments à deux températures différentes en même temps. Aussi, vous pouvez utiliser une partie pour faire griller les aliments et l'autre partie pour les garder chauds.

3. Lors de la première utilisation, faites chauffer le gril pendant environ dix minutes pour éliminer les résidus de fabrication et libérer les mauvaises odeurs.
4. Pour obtenir de meilleurs résultats, préchauffez le gril avant de faire cuire des aliments.

#### ATTENTION

Nettoyez le gril après chaque utilisation. Laissez à l'appareil le temps de refroidir avant de le nettoyer.

#### Conseils de grillade

- Préchauffez toujours le gril. Lorsque vous cuisinez à la puissance maximale, préchauffez le gril à HIGH pendant dix minutes. Lorsque vous cuisinez à intensité moyenne, préchauffez le gril à HIGH pendant cinq minutes, puis réduisez la température une fois que les aliments sont sur le gril.
- Faites tremper les brochettes de bois dans de l'eau pendant au moins 20 minutes avant de les mettre sur le gril.
- Avant de faire griller des aliments, vous pouvez les badigeonner d'huile résistant à la chaleur (comme de l'huile d'arachides) ou les faire mariner. Assurez-vous de ne pas utiliser trop d'huile ou de marinade, sans quoi les aliments pourraient prendre feu et produire beaucoup de fumée.
- Déposez les aliments directement sur les grilles du gril. N'utilisez pas de papier d'aluminium ou de plateaux.
- La viande salaisonnée, comme le jambon ou les côtelettes de porc fumées, n'est pas faite pour être grillée. Des composés chimiques mauvais pour la santé peuvent se former lors de leur cuisson sur le gril.
- Pour éviter que les aliments ne s'enflamment, enlevez l'excédent de gras avant de les faire griller.
- N'utilisez PAS de produits nettoyants sur les éléments. S'il y a de la graisse sur les éléments, laissez-leur le temps de brûler.
- Pour absorber le gras de la plaque chauffante, saupoudrez-la avec du gros sel après chaque utilisation.

## Fonctionnement du gril

1. Avant d'allumer l'appareil, assurez-vous qu'il y a des briquettes de céramique l'appareil et que les deux grilles du gril sont correctement installées.
2. Appuyez sur le bouton de réglage de température et tournez-le à la température souhaitée.

## Recommandations pour la cuisson sur le gril

### IMPORTANT :

- **VOUS NE DEVRIEZ PAS UTILISER LE GRIL SANS UNE VENTILATION ADÉQUATE.**
- **Vous ne devriez pas préparer d'aliments à forte teneur en gras sur un gril intérieur. Le fait de faire griller des aliments à forte teneur en gras (comme certains types de bœuf haché, saucisses, etc.) augmente les possibilités de formation de fumées et de flammes.**

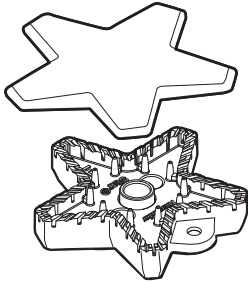
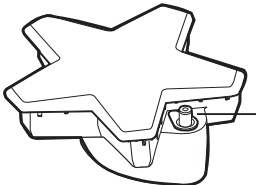
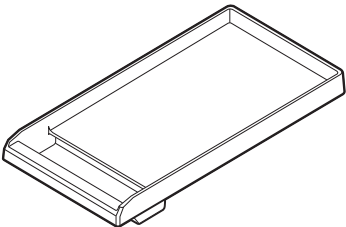
ALIMENT*	RÉGLAGE**	TEMPS DE CUISSON (MINUTES)	NOTES
<b>BŒUF</b>			
Hamburgers, ¾" (2 cm) (à point)	HIGH	12 – 14	Tourner une fois que du jus apparaît à la surface.
Steak d'ailon, 1½" (4 cm) (à point)	HIGH	20 – 22	Enlever l'excédent de graisse.
Faux-filet ou surlonge, 1" (3 cm) (à point)	HIGH	10 – 12	Enlever l'excédent de graisse.
Brochettes, steak (à point)	HIGH	24 – 28	Tourner de temps en temps.
<b>PORC</b>			
Côtelettes de porc, ¾" (2 cm)	HIGH	16 – 20	Enlever l'excédent de graisse.
Saucisses ou Bratwurst	MED HIGH	16 – 20	Percer avant de griller.
Hot Dogs	HIGH	6 – 8	Placer horizontalement sur le gril.
<b>VOLAILLE</b>			
Cuisses et pilons	MED HIGH	34 – 38	Tourner de temps en temps, enlever l'excédent de peau.
Ailes de poulet, entières	MED HIGH	18 – 22	Tourner de temps en temps.
Poitrines de poulet sans os, ½" (1 cm)	MED HIGH	20 – 24	Couper en filets de la même épaisseur avant de faire cuire.
Brochettes, poulet	HIGH	30 – 33	Tourner de temps en temps.
<b>FRUITS DE MER</b>			
Darnes, 2" (6 cm)	MED HIGH	18 – 20	Badigeonner d'huile avant de faire griller.
Filets de poisson, ¾" (2 cm)	MED HIGH	16 – 20	Badigeonner d'huile avant de faire griller.
Brochettes de crevettes	MED HIGH	10 – 14	Tourner de temps en temps.
<b>FRUITS ET LÉGUMES FRAIS</b>			
Champignons portobello	HIGH	8 – 10	Badigeonner d'huile.
Poivrons, quartiers	HIGH	8 – 10	Tourner de temps en temps.
Aubergine en tranches, ½" (1 cm)	HIGH	8 – 10	Badigeonner avec un peu d'huile.
Tomates, coupées en deux	HIGH	8 – 10	Badigeonner d'huile.
Ananas en tranches	HIGH	4 – 6	—
Pêches, coupées en deux	HIGH	4 – 6	—
<b>AUTRE</b>			
Pains à hot dog ou hamburger	MED HIGH	4 – 6	Badigeonner de beurre.
Tofu ferme en tranches	MED HIGH	8 – 12	Mettre en brochette pour une grillade facile.
* Pour une cuisson uniforme, veuillez bien répartir les aliments sur la surface de cuisson.			
** Les réglages apparaissant dans le tableau ne devraient être considérés que comme des lignes directrices puisque la quantité de chaleur requise peut varier selon le type et l'état des aliments.			

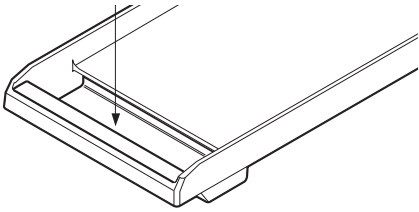
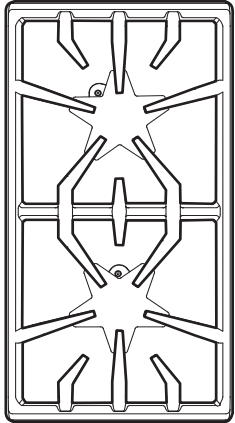
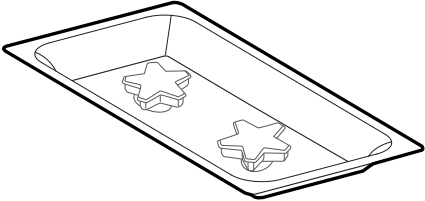
# Entretien et Nettoyage

## Recommandations pour le nettoyage

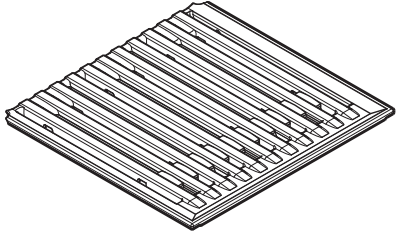
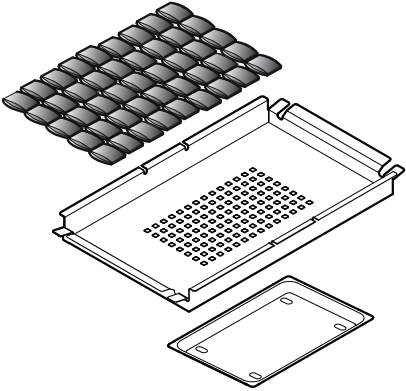
### Marques de produit

Les marques de produits utilisées sont destinées à indiquer un type de produit nettoyant et non à en faire la promotion. L'omission d'une marque ne signifie pas qu'elle convient ou ne convient pas. De nombreux produits sont distribués à grande échelle et il est possible de les trouver localement. Il est essentiel que les produits soient utilisés conformément à leur mode d'emploi. Le tableau suivant fournit des directives pour nettoyer la cuisinière.

PIÈCE/MATÉRIAU	NOTES CONCERNANT LE NETTOYAGE
<p><b>Couvercle en fonte et base des brûleurs STAR<sup>mc</sup> en laiton</b></p> 	<ul style="list-style-type: none"><li>• Brosse à dents à soies dures en nylon pour le nettoyage des orifices.</li><li>• Une fois le nettoyage terminé, veillez à ce que le couvercle du brûleur STAR soit correctement logé sur sa base.</li><li>• Ne frottez <b>PAS</b> et n'agrandissez pas les orifices du couvercle de brûleur STAR.</li><li>• <b>Produits nettoyants suggérés</b>; rincez et séchez à fond :<ul style="list-style-type: none"><li>-- Eau chaude savonneuse</li><li>-- Bon-ami<sup>®</sup></li><li>-- Barkeepers Friend<sup>®</sup></li><li>-- Wright's<sup>®</sup> All Purpose Brass Polish</li><li>-- Kleen King<sup>®</sup></li></ul></li></ul>
<p><b>Allumeurs</b> Céramique</p> 	<ul style="list-style-type: none"><li>• N'employez <b>PAS</b> d'outils pointus pour frotter les allumeurs. Les allumeurs sont fragiles. Si l'un d'entre eux est endommagé, il se pourrait qu'il ne puisse allumer le brûleur STAR.</li><li>• <b>Produits nettoyants suggérés</b> :<ul style="list-style-type: none"><li>-- Utilisez un coton-tige trempé dans l'eau</li><li>-- Fantastik<sup>®</sup></li></ul></li></ul>
<p><b>Boutons de commande / métal</b> <b>Enjoliveurs / chrome</b> <b>Grilles de four coulissantes / chrome</b></p>	<ul style="list-style-type: none"><li>• Ne faites <b>PAS</b> tremper les boutons.</li><li>• Ne forcez <b>PAS</b> les boutons sur une mauvaise tige de valve.</li><li>• <b>Produits nettoyants suggérés</b> :<ul style="list-style-type: none"><li>-- Utilisez un coton-tige trempé dans l'eau</li></ul></li></ul>
<p><b>Plaque chauffante</b> Aluminium avec revêtement anti-adhésif</p> 	<ul style="list-style-type: none"><li>• N'immergez <b>JAMAIS</b> une plaque chauffante chaude dans l'eau froide. La plaque d'aluminium pourrait gondoler ou se fissurer.</li><li>• Ne nettoyez <b>AUCUNE</b> partie du gril ou de la plaque chauffante dans le four en mode autonettoyage.</li><li>• Essuyez la surface de la plaque chauffante à l'eau tiède savonneuse, puis rincez à l'eau tiède. Essuyez avec un chiffon doux.</li><li>• Si des particules alimentaires collent à la plaque, éliminez-les à l'aide d'un nettoyant abrasif doux comme Soft Scrub<sup>mc</sup>.</li><li>• <b>Produits nettoyants suggérés</b>; rincez et séchez à fond :<ul style="list-style-type: none"><li>-- Eau chaude savonneuse</li><li>-- mettez-le au lave-vaisselle</li><li>-- Soft Scrub<sup>®</sup></li></ul></li></ul>

PIÈCE/MATÉRIAU	NOTES CONCERNANT LE NETTOYAGE
<p><b>Plateau récupérateur de graisse de la plaque chauffante</b></p> <p>Aluminium avec revêtement anti-adhésif</p> 	<ul style="list-style-type: none"> <li>Retirez le plateau collecteur de graisse et versez la graisse dans un contenant résistant aux graisses pour mise au rebut. Lavez le plateau collecteur dans l'eau tiède savonneuse ou mettez-le au lave-vaisselle.</li> <li>Videz le plateau collecteur de graisse après chaque utilisation.</li> <li><b>Produits nettoyants suggérés;</b> rincez et séchez à fond : <ul style="list-style-type: none"> <li>-- Eau chaude savonneuse</li> <li>-- Mettez-le au lave-vaisselle</li> <li>-- Soft Scrub®</li> </ul> </li> </ul>
<p><b>Grilles</b></p> <p>Porcelaine émaillée sur fonte</p> 	<ul style="list-style-type: none"> <li>Les grilles sont lourdes ; soyez prudent lorsque vous les soulevez. Déposez-les sur une surface protégée.</li> <li>Compte tenu de la texture rugueuse des grilles, des dépôts en aluminium du dessous des poêlons peuvent parfois se détacher et remplir les espaces entre les rayures des grilles. Faites attention lorsque vous cuisinez avec des poêlons et casseroles en laiton et en aluminium, car ces types de plats peuvent parfois laisser des dépôts de métal sur les grilles.</li> <li>Lors de températures extrêmes et de change-ments rapides de température, on retrouve couramment des ampoules/craquelures/éclats sur les tiges des grilles.</li> <li>Les déversements acides et chargés en sucre détériorent l'émail. Éliminez-les sans tarder.</li> <li>Les produits nettoyants abrasifs, utilisés trop vigoureusement ou trop souvent, peuvent éventuellement rayer l'émail.</li> <li><b>Produits nettoyants suggérés;</b> rincez et séchez à fond : <ul style="list-style-type: none"> <li>-- Eau chaude savonneuse</li> <li>-- Fantastik®</li> <li>-- Bon-ami®</li> <li>-- Soft Scrub®</li> </ul> </li> <li><b>Abrasifs pour les taches tenaces;</b> rincez et séchez à fond : <ul style="list-style-type: none"> <li>-- Tampon de laine d'acier savonneux</li> <li>-- Lestoil®</li> <li>-- Autre produit dégraissant</li> </ul> </li> <li><b>Dépôts de métal :</b> <ul style="list-style-type: none"> <li>-- Éponge à récurer Scotch Brite</li> <li>-- Laine d'acier</li> </ul> </li> </ul>
<p><b>Plateau collecteur de surface / bandes de garniture</b></p> <p>Porcelaine émaillée (fini lustré)</p> 	<ul style="list-style-type: none"> <li>Frottez délicatement car ces produits pourraient érafler le fini. Rincez à fond et essuyez avec un chiffon doux.</li> <li>Pour les aliments carbonisés, utilisez des tampons de fibre ou de laine d'acier imbibés de savon, tels que S.O.S.<sup>mc</sup> ou Brillo<sup>mc</sup>. Humidifiez le tampon et frottez délicatement. Soyez prudent car les tampons peuvent érafler le fini. Rincez à fond et essuyez avec un chiffon doux.</li> <li><b>Produits nettoyants suggérés;</b> rincez et séchez à fond : <ul style="list-style-type: none"> <li>-- Eau chaude savonneuse</li> <li>-- Soft Scrub®</li> <li>-- Bar Keeper's Friend®</li> <li>-- Bon-ami®</li> <li>-- Comet®</li> <li>-- Ajax®</li> </ul> </li> <li><b>Abrasifs pour les taches tenaces;</b> rincez et séchez à fond : <ul style="list-style-type: none"> <li>-- Utilisez des tampons de fibre ou de laine d'acier imbibés de savon</li> </ul> </li> </ul>



PIÈCE/MATÉRIAU	NOTES CONCERNANT LE NETTOYAGE
<p><b>Grilles du grill</b> Porcelaine émaillée sur fonte</p> 	<ul style="list-style-type: none"> <li>• Nettoyez les grilles après chaque utilisation.</li> <li>• Placez la grille du grill dans l'évier et versez de l'eau bouillante sur la grille. Mettez un linge à vaisselle sur la grille et versez de l'eau bouillante sur le linge. Laissez tremper les résidus. Grattez tous les débris avec un tampon à récurer savonneux.</li> <li>• <b>Abrasifs pour les taches tenaces</b> : Soft Scrub®.</li> <li>• <b>Produits nettoyants suggérés</b>; rincez et séchez à fond : <ul style="list-style-type: none"> <li>-- Eau chaude savonneuse</li> <li>-- Mettez-le au lave-vaisselle</li> <li>-- Soft Scrub®</li> <li>-- Brosse à fils en laiton doux pour les taches tenaces. Les brosses à fils de fer rigides peuvent égratigner le recouvrement de porcelaine des grilles et causer leur oxydation prématurée.</li> </ul> </li> <li>• <b>Abrasifs pour les taches tenaces</b>; rincez et séchez à fond : <ul style="list-style-type: none"> <li>-- Tampon de laine d'acier savonneux</li> <li>-- Lestoil®</li> <li>-- Autre produit dégraissant</li> </ul> </li> </ul>
<p><b>Briquettes de céramique, Briquettes de céramique, et Plateau à graisse du grill</b></p> 	<ul style="list-style-type: none"> <li>• <b>Briquettes de céramique de nettoyage</b> <ol style="list-style-type: none"> <li>1) Placez doucement les briquettes de céramique saturées de gras dans un grand contenant de six litres ou plus.</li> <li>2) Remplissez le contenant d'eau propre de façon à ce que les briquettes soient couvertes par au moins un demi-pouce d'eau.</li> <li>3) Portez l'eau à ébullition et laissez-la bouillir pendant 10 minutes.</li> <li>4) Éteignez le feu et laissez l'eau refroidir jusqu'à une température sécuritaire.</li> <li>5) Débarrassez-vous de l'eau et tapotez les briquettes avec de vieilles serviettes ou des essuie-tout pour les sécher.</li> <li>6) Laissez sécher les briquettes à l'air ambiant pendant au moins deux heures. Il se peut qu'il y ait des taches de graisse permanentes sur les briquettes après le nettoyage.</li> <li>7) Remettez les briquettes propres et sèches dans le grill avant de le réutiliser.</li> </ol> </li> <li>• Vous pouvez vous procurer de nouvelles briquettes de céramique à la boutique électronique de THERMADOR (numéro de commande : <i>PABRICKBKN</i>). Consultez le verso pour obtenir des renseignements sur le soutien technique.</li> <li>• <b>! MISE EN GARDE :</b> <ul style="list-style-type: none"> <li>• Vous devez remplacer les briquettes de céramique lorsqu'elles sont noires, ce qui signifie qu'elles sont saturées de gras. Elles peuvent alors générer beaucoup de fumée ou prendre feu pendant le fonctionnement de l'appareil.</li> <li>• <b>Produits nettoyants recommandés pour le panier et le plateau à graisse</b>; rincez et séchez à fond : <ul style="list-style-type: none"> <li>-- Eau chaude savonneuse</li> <li>-- Mettez-le au lave-vaisselle</li> </ul> </li> </ul> </li> </ul>

PIÈCE/MATÉRIAU	NOTES CONCERNANT LE NETTOYAGE
<b>Fini extérieur/protecteur arrière</b> Acier inoxydable	<ul style="list-style-type: none"> <li>• L'acier inoxydable résiste à la plupart des taches d'aliments et piqûres, pourvu que la surface soit gardée propre et protégée.</li> <li>• Frottez légèrement dans le sens du poli.</li> <li>• Le chlore ou les composés de chlore de certains produits nettoyants sont corrosifs pour l'acier inoxydable. Vérifiez les ingrédients sur l'étiquette.</li> <li>• <b>Produits nettoyants suggérés</b>; rincez et séchez à fond :             <ul style="list-style-type: none"> <li>-- Eau chaude savonneuse</li> <li>-- Fantastik®</li> <li>-- Siege® Stainless Steel and Aluminum Cleaner</li> <li>-- Kleen King® Stainless Steel Liquid Cleaner</li> <li>-- Poli de nettoyage : Stainless Steel Magic<sup>mc</sup> pour protéger le fini des taches et piqûres ; améliore l'apparence.</li> <li>-- THERMADOR Stainless Steel Conditioner (0057669)</li> <li>-- Taches d'eau dure : Vinaigre.</li> </ul> </li> <li>• <b>Décoloration due à la chaleur</b>; rincez et séchez à fond :             <ul style="list-style-type: none"> <li>-- Barkeepers Friend®</li> <li>-- Wright's® All Purpose Brass Polish</li> </ul> </li> </ul>

# Avant d'appeler le service technique

Avant d'appeler le service technique, vérifiez les points suivants afin d'éviter des frais inutiles.

## Vérifiez d'abord les points suivants :

- Y a-t-il une panne de courant dans le quartier?
- Les fusibles ont-ils sauté ou le disjoncteur s'est-il déclenché?
- La table de cuisson est-elle débranchée?

## Si les brûleurs ne s'allument pas

- Les chapeaux des brûleurs sont-ils correctement alignés et posés sur les bases des brûleurs?
- Les orifices des brûleurs sont-ils bouchés?
- Un fusible a-t-il sauté ou le disjoncteur s'est-il déclenché?
- Le robinet manuel de coupure du gaz est-il fermé, empêchant l'arrivée de gaz?

## Plaque signalétique

La plaque signalétique qui indique le numéro de modèle et le numéro de série de votre table de cuisson se trouve sous le rebord de la table de cuisson, près de la partie avant de la table de cuisson. Ces renseignements sont requis si vous voulez recevoir du service à la clientèle. Avant l'installation, vous devriez inscrire dans les espaces appropriés de cette page le numéro du modèle et le numéro de série. Il est difficile d'avoir accès à ces renseignements une fois que l'installation est terminée.

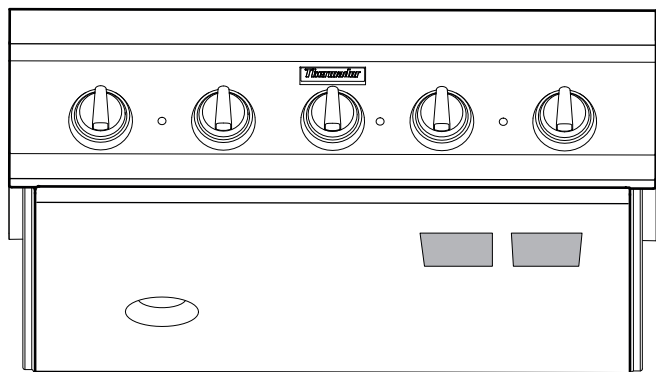


Figure 19 : Emplacement de la plaque signalétique

## ⚠ AVERTISSEMENT

Avant d'ôter la plaque d'habillage, débranchez l'alimentation électrique de la cuisinière. Réinstallez la plaque de base avant de rébrancher l'alimentation électrique de la cuisinière et de l'utiliser.

## Renseignements pour le service technique

Pour une consultation facile, copiez les renseignements ci-dessous se trouvant sur la plaque signalétique. Conservez votre facture pour que votre garantie soit valide.

Numéro du modèle \_\_\_\_\_

Numéro de série \_\_\_\_\_

Date d'achat \_\_\_\_\_

Complétez également la carte d'enregistrement du produit comprise avec ce produit.

Enregistrez votre appareil auprès de BSH afin de vous assurer un service rapide et l'accès aux renseignements qui concernent votre appareil. Vous pouvez enregistrer votre appareil de l'une des façons suivantes :

1. Envoyez par la poste votre carte d'enregistrement de produit THERMADOR<sup>mc</sup> complétée.
2. Enregistrez votre produit en ligne à l'adresse [www.thermador.ca](http://www.thermador.ca).
3. Communiquez avec le service à la clientèle de THERMADOR au numéro 1-800-735-4328.

## Dépannage

SYMPTÔME	CAUSE PROBABLE	SOLUTION
Production intermittente d'étincelles	<ul style="list-style-type: none"> <li>• L'allumeur en céramique est mouillé ou sale.</li> <li>• Les orifices du brûleur sont bouchés.</li> </ul>	<ul style="list-style-type: none"> <li>• Séchez ou nettoyez soigneusement l'allumeur.</li> <li>• Nettoyez les orifices de répartition de la flamme à l'aide d'un fil métallique, d'une aiguille ou d'un trombone déplié.</li> </ul>
Plus de quatre déclics de l'allumeur avant que la flamme ne s'allume	<ul style="list-style-type: none"> <li>• Le chapeau du brûleur est mal posé sur sa base.</li> </ul>	<ul style="list-style-type: none"> <li>• Alignez bien le chapeau du brûleur sur la base du brûleur.</li> </ul>
Production constante d'étincelles	<ul style="list-style-type: none"> <li>• La mise à la terre de la cuisinière a été mal faite.</li> <li>• L'alimentation électrique est mal polarisée.</li> </ul>	<ul style="list-style-type: none"> <li>• Consultez les Instructions d'installation. Appelez un électricien qualifié pour qu'il effectue une mise à la terre adéquate pour la cuisinière.</li> </ul>
Les dispositifs d'allumage produisent des étincelles, mais pas de flamme.	<ul style="list-style-type: none"> <li>• La vanne de l'approvisionnement en gaz est à la position « OFF ».</li> </ul>	<ul style="list-style-type: none"> <li>• Ouvrez la vanne d'approvisionnement en gaz de l'appareil.</li> </ul>
Les lumières et les brûleurs ne s'allument pas	<ul style="list-style-type: none"> <li>• Pas d'alimentation électrique.</li> </ul>	<ul style="list-style-type: none"> <li>• Assurez-vous que le disjoncteur est à la bonne position.</li> <li>• Assurez-vous que la tension de la ligne d'alimentation électrique est adéquate.</li> </ul>
Les aliments ne cuisent pas suffisamment dans le four.	<ul style="list-style-type: none"> <li>• Le plat utilisé n'est pas adéquat.</li> <li>• L'appareil n'est pas de niveau.</li> </ul>	<ul style="list-style-type: none"> <li>• Consultez la section « Récipients recommandés » dans le <i>Guide d'utilisation et d'entretien</i>.</li> <li>• Consultez le <i>Manuel d'installation</i> pour obtenir des instructions sur le nivelage de l'appareil.</li> </ul>

# Énoncé de Garantie Limitée du Produit

## Couverture de la garantie et à qui elle s'applique

La garantie limitée offerte par BSH Home Appliances Corporation (BSH) dans cet énoncé de garantie limitée du produit ne s'applique qu'à l'appareil THERMADOR® qui vous a été vendu, à titre de premier acheteur, pourvu que le produit ait été acheté :

- Pour une utilisation domestique normale (non commerciale) et qu'il n'ait été utilisé qu'à des fins domestiques normales.
- Neuf au détail (qu'il ne soit pas un modèle précédemment retourné, un modèle « tel-quel » ou un modèle de plancher) et non destiné à la revente ou à un usage commercial.
- Aux États-Unis ou au Canada, et qu'il soit demeuré en tout temps dans le pays de l'achat d'origine.

Les garanties énoncées dans les présentes ne s'appliquent qu'au premier acheteur du produit et ne sont pas transférables.

Veillez vous assurer de retourner votre carte d'enregistrement ; bien que ce ne soit pas indispensable à la couverture de garantie. C'est toutefois le meilleur moyen pour BSH de communiquer avec vous, dans le cas peu probable d'un rappel de produit ou d'un avis de sécurité.

## Durée de la garantie

**Produit fabriqué avant le 1<sup>er</sup> janvier 2012 dont le numéro est égal ou inférieur à FD911299999** : BSH garantit que le produit est exempt de défauts autant dans les matériaux que dans la main-d'oeuvre pour une période de (365) jours à partir de la date d'achat. Cette période commence dès la date de l'achat et ne peut pas être arrêtée, prolongée ou suspendue pour quelque raison que ce soit.

**Produit fabriqué après le 1<sup>er</sup> janvier 2012 dont le numéro est égal ou supérieur à FD920100000** : BSH garantit que le produit est exempt de défauts autant dans les matériaux que dans la main-d'oeuvre pour une période de sept cent trente (730) jours à partir de la date d'achat. Cette période commence dès la date de l'achat et ne peut pas être arrêtée, prolongée ou suspendue pour quelque raison que ce soit.

Ce Produit est également garanti contre tout défaut de matériau et de fabrication apparent (tels les éraflures sur l'acier inoxydable, les défauts d'aspect de la peinture ou de la porcelaine, les ébréchures, les bosselures, ou autres dégâts au fini du Produit), pendant une période de trente (30) jours à compter de la date d'achat ou de la date de clôture pour une nouvelle construction. Cette garantie

relative à l'apparence exclut les légères variations de couleur découlant des différences inhérentes aux pièces peintes et en porcelaine, ainsi que découlant des différences causées par l'éclairage de cuisine, l'emplacement du produit ou d'autres facteurs similaires. Cette garantie relative à l'apparence exclut plus particulièrement tout appareil électroménager en exposition, de plancher, « En l'état » ou de stock « B ».

## Réparation ou remplacement comme recours exclusif

Durant cette période de garantie, BSH ou l'un de ses fournisseurs de service autorisés réparera votre appareil sans frais (sujet à certaines limitations établies dans les présentes) s'il est prouvé qu'une défektivité dans les matériaux ou la main-d'oeuvre affecte le fonctionnement de votre appareil. Si tous les efforts entrepris pour réparer l'appareil ont échoués, BSH remplacera votre appareil (un modèle plus récent pourrait vous être livré, à la seule discrétion de BSH, pour des frais additionnels). Toutes les pièces et composants deviendront la propriété de BSH. Toutes les pièces remplacées et/ou réparées assumeront l'identité de la pièce d'origine aux fins de cette garantie et cette garantie ne sera pas prolongée suite au remplacement de ces pièces. La seule responsabilité de BSH telle que décrite dans les présentes est de réparer un produit défectueux à la fabrication, en mandatant un fournisseur de service autorisé de BSH durant les heures d'affaire. Pour des raisons de sécurité et de dommages aux biens, BSH recommande de ne pas tenter de réparer vous-même le produit ou d'employer un fournisseur de services non autorisé. BSH n'accepte aucune responsabilité pour les réparations ou le travail effectué par un fournisseur de service non autorisé. Si vous acceptez qu'une personne autre qu'un fournisseur de service autorisé travaille à réparer votre produit, CETTE GARANTIE DEVIENDRA AUTOMATIQUEMENT NULLE ET NON AVENUE. Les fournisseurs de service autorisés sont les personnes morales ou sociétés spécialement formées pour réparer les produits BSH et qui possèdent, selon BSH, une réputation supérieure au niveau du service à la clientèle et des compétences techniques (notez qu'il s'agit d'entités indépendantes et non d'agents, partenaires, sociétés affiliées ou représentants de BSH). En dépit des énoncés ci-dessus, BSH n'accepte aucune responsabilité pour un appareil se trouvant dans une région éloignée (à plus de 200 km d'un fournisseur de service autorisé), ou dans un lieu ou un environnement inaccessible, dangereux, menaçant ou hasardeux ; dans un tel cas, si vous le demandez, BSH paiera pour les pièces et la main-d'oeuvre, et expédiera le tout au fournisseur de service autorisé le plus près. Vous serez toutefois entièrement responsable des frais de déplacement ou autres frais spéciaux engagés par la société de service, assumant que cette dernière accepte d'effectuer la réparation.

## Appareil hors garantie

BSH n'est assujettie à aucune obligation, au titre de la loi ou autrement, de vous offrir des concessions, incluant les réparations, prorata ou remplacement de produit une fois cette garantie expirée.

## Exclusions de la garantie

La garantie décrite dans les présentes exclut toutes les défauts ou dommages qui ne sont pas du fait direct de BSH, incluant, mais sans s'y limiter, un ou plusieurs des éléments suivants :

- Utilisation du produit pour quelque raison autre que son usage normal de la façon prévue (incluant mais sans s'y limiter, toute forme d'usage commercial, d'usage ou d'entreposage d'appareils pour l'intérieur à l'extérieur, d'usage de l'appareil avec tout moyen de transport maritime ou aérien).
- Toute conduite inappropriée, négligence, mauvais usage, abus, accident, utilisation inadéquate, absence d'entretien, installation inadéquate ou négligente, modification, non-respect des instructions d'utilisation, manutention inappropriée, réparations non autorisées (incluant les réparations « maison » ou l'exploration des mécanismes internes de l'appareil).
- L'ajustement, l'altération ou la modification de toute forme que ce soit.
- Le non-respect des codes du bâtiment, règlements ou lois de la ville, de la province ou du pays en matière d'électricité, de plomberie, incluant une installation non conforme aux règlements et codes du bâtiment et des services d'incendie.
- L'usure normale, les déversements d'aliments ou de liquides, les accumulations de graisse ou d'autres substances qui s'accumulent sur, dans ou autour de l'appareil.
- Toute force et facteur extérieur causé par les éléments ou l'environnement, incluant, mais sans s'y limiter, la pluie, le vent, le sable, les inondations, les coulées de boue, les températures extrêmes, l'humidité excessive ou l'exposition prolongée à l'humidité, la foudre, les pannes de courant, les défaillances structurales autour de l'appareil et les catastrophes naturelles.
- En aucun cas BSH ne peut être tenu responsable de dommages aux biens environnants, incluant les armoires de cuisine, les planchers, les plafonds et toute autre structure ou objet entourant l'appareil. Également exclus de cette garantie sont les appareils dont les numéros de série ont été modifiés, effacés ou rendus illisibles ; les visites de service visant à vous enseigner comment utiliser l'appareil ou les visites qui ne révèlent aucune défaillance à l'appareil ; la correction des problèmes d'installation (vous êtes seul responsable de la mise en place de l'appareil, notamment au niveau de l'électricité, de la plomberie et des autres installations de raccordement, des

fondations et planchers et des modifications incluant, mais sans s'y limiter, les armoires, les murs, les planchers, les étagères, etc.) et le réenclenchement des disjoncteurs ou le changement des fusibles.

**SELON LES LIMITES PERMISES PAR LA LOI, CETTE GARANTIE VOUS ACCORDE DES RECOURS EXCLUSIFS RELATIVEMENT AU PRODUIT, QUE LA RÉCLAMATION SURVIENNENT DE PAR LE CONTRAT OU PAR DÉLIT CIVIL (INCLUANT LA RESPONSABILITÉ STRICTE OU LA NÉGLIGENCE) OU DE TOUTE AUTRE FAÇON. CETTE GARANTIE REMPLACE TOUTE AUTRE GARANTIE, QU'ELLE SOIT EXPRESSE OU IMPLICITE. TOUTE GARANTIE IMPLICITE EN VERTU DE LA LOI, QU'ELLE CONCERNE LA QUALITÉ MARCHANDE OU L'ADAPTATION À DES FINS PARTICULIÈRES, OU AUTREMENT, NE SERA EN VIGUEUR QUE POUR LA PÉRIODE PENDANT LAQUELLE LA GARANTIE EXPRESSE LIMITÉE EST EN VIGUEUR. EN AUCUN CAS LE FABRICANT NE PEUT ÊTRE TENU RESPONSABLE DES DOMMAGES INDIRECTS, PARTICULIERS, CONSÉCUTIFS, DÉCOULANT D'UNE « PERTE COMMERCIALE » ET/OU PUNITIFS, DES PERTES OU DÉPENSES, INCLUANT, MAIS SANS S'Y LIMITER, LE TEMPS PASSÉ LOIN DU TRAVAIL, LES HÔTELS ET/OU LES REPAS AU RESTAURANT, LES FRAIS DE REMODELAGE QUI DÉPASSENT LES DOMMAGES DIRECTS DÉFINITIVEMENT ET EXCLUSIVEMENT CAUSÉS PAR BSH OU AUTREMENT. CERTAINS ÉTATS OU PROVINCES NE PERMETTENT PAR L'EXCLUSION OU LA LIMITATION DES DOMMAGES CORRÉLATIFS OU IMPRÉVUS ET CERTAINS ÉTATS OU PROVINCES NE PERMETTENT PAS D'ACCORDER UNE LIMITE DE DURÉE À LA GARANTIE IMPLICITE. PAR CONSÉQUENT LES LIMITATIONS CI-DESSUS POURRAIENT NE PAS S'APPLIQUER À VOUS. CETTE GARANTIE VOUS ACCORDE DES DROITS LÉGAUX SPÉCIFIQUES ET VOUS POURRIEZ ÉGALEMENT DISPOSER D'AUTRES DROITS QUI VARIENT D'UN ÉTAT À L'AUTRE ET D'UNE PROVINCE À L'AUTRE.**

Aucune tentative de modifier ou d'amender cette garantie ne sera considérée comme applicable à moins qu'elle n'ait été autorisée par écrit par un responsable de BSH.

Enregistrez votre appareil auprès de BSH afin de vous assurer un service rapide et l'accès aux renseignements qui concernent votre appareil. Vous pouvez enregistrer votre appareil de l'une des façons suivantes :

1. Envoyez par la poste votre carte d'enregistrement de produit THERMADOR complétée.
2. Enregistrez votre produit en ligne à l'adresse [www.thermador.ca](http://www.thermador.ca).
3. Communiquez avec le service à la clientèle de THERMADOR au numéro 1-800-735-4328.

# Índice de materias

<b>Introducción</b> .....	<b>1</b>
Instrucciones de seguridad importantes .....	1
<b>Descripción</b> .....	<b>6</b>
Identificación de las piezas .....	6
<b>Antes de Comenzar</b> .....	<b>6</b>
Cómo comenzar .....	7
Placa de señalización .....	7
Hornilla de superficie .....	7
<b>Usar la placa de cocción</b> .....	<b>8</b>
Quemadores STAR® sellados .....	8
Quemadores ExtraLow® .....	10
Recomendaciones para los utensilios de cocina .....	12
Recomendaciones para cocinar - Quemadores de la placa de cocción .....	14
Utilización de la plancha eléctrica .....	16
Uso de la parrilla eléctrica .....	19
<b>Limpieza</b> .....	<b>22</b>
Recomendaciones de limpieza .....	22
<b>Antes de solicitar servicio</b> .....	<b>42</b>
Resolución de problemas .....	43
<b>Declaración de garantía limitada del producto</b> .....	<b>28</b>
<b>Atención al cliente, accesorios y piezas</b> .....	<b>última página</b>

## Definiciones de seguridad

### **⚠ ADVERTENCIA**

Esto indica que se pueden producir lesiones graves o la muerte si no se cumple con esta advertencia.

### **⚠ PRECAUCIÓN**

Esto indica que pueden producirse lesiones leves o moderadas si no se cumple con esta advertencia.

**NOTA:** Esto indica que puede producirse un daño al electrodoméstico o a la propiedad como resultado de la falta de cumplimiento de este aviso.

**Nota:** Esto lo alerta sobre información y/o consejos importantes.

Este electrodoméstico de  
THERMADOR® está hecho por  
BSH Home Appliances Corporation  
1901 Main Street, Suite 600  
Irvine, CA 92614

### **¿Preguntas?**

1-800-735-4328  
www.thermador.com

**¡Esperamos oír de usted!**

# Seguridad



## INSTRUCCIONES IMPORTANTES DE SEGURIDAD LEA Y GUARDE ESTAS INSTRUCCIONES

### ADVERTENCIA



Si no sigue rigurosamente la información contenida en este manual podría provocar un incendio o una explosión, y como resultado podría causar daños a la propiedad, lesiones o la muerte.

- No guarde o use materiales combustibles, gasolina u otros productos inflamables, bajo cualquier tipo de envase cerca de esta placa de cocción o de cualquier otro aparato.
- QUÉ HACER EN CASO DE OLER A GAS
  - No trate de encender ningún aparato.
  - No toque ningún interruptor eléctrico.
  - No use ningún teléfono en su casa.
  - Llame de inmediato a su proveedor de gas desde el teléfono de algún vecino y siga las instrucciones de su proveedor de gas.
  - Cuando no pueda localizar a su proveedor de gas, llame a los bomberos.
- Un instalador cualificado, una agencia de servicio autorizada o el proveedor de gas debe realizar la instalación y el servicio.

### ADVERTENCIA

La instalación, ajuste, reparación y mantenimiento incorrectos del aparato pueden causar lesiones a personas o daños a la propiedad. Consulte este manual. Para obtener asistencia y consejos adicionales, consulte a un técnico cualificado, una agencia de servicio, el fabricante (o el distribuidor) o un proveedor de gas.

#### Para instalaciones en Massachusetts:

1. La instalación debe realizarse por un contratista, un fontanero o un técnico de gas cualificado o autorizado por el estado, la provincia o región donde se esté instalando este aparato.
2. La válvula de cierre debe ser un grifo de gas en T.
3. El conducto flexible de gas no debe medir más de 36 pulg. (914 mm).

### Verificación del tipo de gas

Verifique el tipo de gas del suministro. Asegúrese de que el aparato esté conectado al tipo de gas para el cual está certificado. Los modelos vienen de fábrica con certificado para un uso con gas natural o gas propano. Asegúrese de que su estufa y el tipo de gas sean el mismo. Consulte la placa de señalización del producto que se encuentra como se indica en la (*"Placa de señalización"*).

### PRECAUCIÓN

Cuando conecte el aparato con gas propano, asegúrese de que el tanque de gas propano venga con su propio regulador de alta presión además del regulador de presión que se incluye con la placa de cocción. La máxima presión de gas de este aparato no debe exceder 14,0 pulgadas de columna de agua (34 mb) del tanque de gas propano al regulador de presión.

### IMPORTANTE:

Excepto en los modelos PCG305P, se debe utilizar una consola trasera baja en las instalaciones contra las superficies combustibles. Puede comprar por separado una consola de protección baja THERMADOR. Consulte el manual de instalación para obtener instrucciones de instalación e información sobre la consola de protección.

Para las instalaciones de tipo isla, THERMADOR recomienda dejar un espacio horizontal mínimo de 12 pulgadas (305 mm) entre los materiales combustibles y la parte trasera de la placa de cocción. Consulte el manual de instalación para conocer las exigencias relativas al espacio libre. Los espacios libres necesarios para los materiales no combustibles no forman parte de la norma ANSI Z21.1 y no se mencionan en las normas de la CSA. Los códigos locales o las autoridades locales deben aprobar los espacios libres de menos de 12 pulg. (305 mm).

Antes de usar la placa de cocción, asegúrese de que tenga una consola de protección apropiada. Consulte las instrucciones de instalación incluidas para obtener más información.





# INSTRUCCIONES IMPORTANTES DE SEGURIDAD

## LEA Y GUARDE ESTAS INSTRUCCIONES

### ADVERTENCIA

Para evitar un posible riesgo de quemaduras o fuego se debe instalar una consola de protección diseñada específicamente para esta placa de cocción antes de utilizarla.

### Exigencias eléctricas

### PRECAUCIÓN

#### EN CASO DE FALLO ELÉCTRICO

Si por algún motivo una perilla de gas está prendida y no hay corriente eléctrica para utilizar los encendedores eléctricos en los quemadores de gas de la placa de cocción, apague la perilla de control y espere 5 minutos para que se disipe el gas antes de prender el quemador manualmente.

Para prender los quemadores STAR manualmente, sostenga un cerillo prendido cerca de los orificios del quemador STAR y gire la perilla de control de gas hasta HI. Durante un fallo de luz, puede usar los quemadores STAR estándares de la placa de cocción, pero debe encenderlos con un cerillo.

NO trate de encender los dos quemadores XLO<sup>®</sup> de la izquierda y la derecha manualmente. Estos quemadores STAR vienen equipados con la opción ExtraLow<sup>®</sup> y no se pueden encender manualmente.

Es responsabilidad y obligación del usuario asegurarse de que un electricista cualificado conecte este aparato a la alimentación eléctrica conforme al código eléctrico nacional y/o a los códigos y regulaciones locales vigentes.

### PRECAUCIÓN

**POR CUESTIÓN DE SEGURIDAD PERSONAL, ESTE APARATO DEBE ESTAR CONECTADO A UNA ALIMENTACIÓN ELÉCTRICA POLARIZADA CON UNA TOMA DE TIERRA ADECUADA.**

Quite siempre el enchufe eléctrico del enchufe de la pared antes de dar servicio a la placa de cocción.

Lea las instrucciones de instalación para conocer los requisitos de alimentación eléctrica y de toma de tierra.

### Normas y códigos de seguridad

Este aparato cumple con una o más de las siguientes normas:

- ANSI Z21.1 para Aparatos Domésticos de Gas
- UL858 para Estufas Eléctricas de Uso Doméstico
- CAN/CSA-22.2 No. 61-M89 para Estufas Domésticas
- CAN/CGA 1.1-M81 Estufas Domésticas de Gas

Consulte los códigos locales que se apliquen en su caso de construcción para una instalación correcta. Si no hay códigos locales, se debe instalar esta unidad conforme al Código Nacional de Gas americano No. Z223.1, edición actual, y el Código Eléctrico Nacional americano ANSI/NFPA No. 70, edición actual, o bien al Código de instalación Can - B149 para aparatos de gas y al Código Eléctrico Canadiense C22.1 Parte 1.

Incumbe al dueño y al instalador determinar si se deben aplicar requisitos o normas adicionales a la instalación específica.

Con un cuidado adecuado, su nueva placa de cocción PROFESSIONAL<sup>®</sup> de THERMADOR ha sido diseñada para ser un aparato seguro y fiable. Sin embargo, tenga mucho cuidado cuando use esta placa de cocción de rendimiento comercial ya que este tipo de aparato genera mucho calor. Cuando use aparatos de cocina, se deben tener en cuenta precauciones básicas, incluyendo las siguientes:

Lea atentamente este manual de uso y cuidado antes de usar su nueva placa de cocción para reducir el riesgo de fuego, de descarga eléctrica o de lesiones.

Se deben efectuar correctamente la instalación y el mantenimiento de este aparato. Siga las instrucciones de instalación que se incluyen con el producto. Asegúrese de que un técnico cualificado instale el aparato y realice la toma de tierra de la placa de cocción.

Pídale al instalador que le muestre dónde se encuentra la válvula de cierre de gas y el disyuntor, de manera que usted sepa cómo y dónde apagar el suministro de gas y la alimentación eléctrica de la placa de cocción.

Al cocinar alimentos grasientos sobre los quemadores, la parrilla o la plancha: los quemadores adyacentes pueden arder y provocar humo. Tenga cuidado de no quemarse.



# INSTRUCCIONES IMPORTANTES DE SEGURIDAD

## LEA Y GUARDE ESTAS INSTRUCCIONES

En el caso de que haya un escape de gas en un quemador STAR, abra una ventana o una puerta. NO intente usar la placa de cocción antes de que el gas se haya disipado. Espere como mínimo cinco minutos antes de usar la placa de cocción.

No repare o reemplace ninguna parte del aparato a menos que haya sido recomendado específicamente en este manual. Para cualquier otro servicio, contrate a un técnico cualificado.

### ADVERTENCIA

#### PARA REDUCIR LOS RIESGOS DE LESIONES, EN CASO DE INFLAMACIÓN DE GRASA, LEA LO SIGUIENTE:

- Sofoque las llamas con una tapa ajustada, una hoja u otra bandeja metálica, luego apague el quemador de gas o el fogón. Tenga cuidado de no quemarse. Si las llamas no desaparecen enseguida, evacue la cocina y llame al servicio de incendios.
- Nunca tome una sartén en llamas – Podría quemarse.
- NO USE AGUA o un trapo o una toalla mojada: se producirá una explosión de vapor.
- Use un extintor sólo si:
  - Sabe que tiene un extintor de tipo ABC y sabe cómo usarlo.
  - El fuego es pequeño y se limita al sitio donde comenzó.
  - Ya ha llamado al servicio de incendios.
  - Puede luchar contra el fuego y tiene acceso a una salida.

### Seguridad de los niños

Cuando los niños lleguen a la edad suficiente para operar el aparato, es responsabilidad legal de los padres o de los tutores legales asegurar que personas cualificadas los instruyan sobre prácticas seguras.

### PRECAUCIÓN

NO almacene objetos de interés para los niños encima de la placa de cocción o en la parte trasera de ésta. Podrían subir sobre la placa de cocción para alcanzarlos y sufrir heridas serias.

NO permita que nadie se ponga de pie, se siente o se cuelgue de alguna pieza del aparato, esto podría dañar el aparato o hacerlo volcar, causando posiblemente graves lesiones.

Cuando se les permita usar la placa de cocción a los niños, éstos deben estar supervisados de cerca por un adulto.

Nunca deje niños o animales solos o sin supervisión en el cuarto donde está funcionando el aparato. Nunca deberían tener la autorización de jugar cerca del aparato, esté funcionando o no.

Nunca use la placa de cocción para almacenar cosas. Los materiales inflamables pueden arder y los artículos de plástico pueden derretirse o quemarse. No cuelgue artículos de ninguna parte del aparato. Algunas telas son muy inflamables y pueden prender fuego. Si la placa de cocción está cerca de una ventana, asegúrese de que las cortinas no alcancen los quemadores STAR ya que podrían arder.

### ADVERTENCIA

#### PARA REDUCIR LOS RIESGOS DE INFLAMACIÓN DE LA GRASA:

- Nunca deje la placa de cocción sin atención cuando cocine a fuego alto. Los derrames causan humo y la grasa derramada puede arder. Caliente el aceite lentamente, a fuego lento o medio. encienda Siempre la campana cuando cocine a fuego alto o flamee alimentos (p.e. crepes Suzette, cerezas al jubileo, carne flameada a la pimienta).
- Limpie los ventiladores frecuentemente. No deje que la grasa se acumule sobre los ventiladores o los filtros.
- Use ollas de tamaño adecuado. Siempre use utensilios de cocina adecuados para el tamaño del fogón o del quemador.

Asegúrese de que siempre haya un detector de humo en funcionamiento cerca de la cocina. Si sus prendas o sus cabellos prenden fuego, tírese al suelo inmediatamente y dé vueltas para apagar las llamas.

Tenga un extintor apropiado a su disposición, cerca, muy visible y fácilmente accesible al lado del aparato.

Sofoque las llamas de los alimentos ardiendo, que no sea fuego de grasa, con bicarbonato sódico. Nunca utilice agua en incendios de cocina.



# INSTRUCCIONES IMPORTANTES DE SEGURIDAD

## LEA Y GUARDE ESTAS INSTRUCCIONES

Cuando sea posible, apague el sistema de ventilación si hay fuego en su placa de cocción. No intente alcanzar las perillas a través del fuego para apagarlas.

NUNCA permita el contacto de la ropa, asas de ollas u otros materiales inflamables con ningún quemador o rejilla de quemador hasta que se haya enfriado. Las telas pueden arder y causar lesiones serias.

Siempre use asas secas para las ollas: Las asas mojadas o húmedas pueden causar quemaduras por el vapor. No use una toalla u otro trapo que estorbe en lugar de las asas. No permita que las asas toquen rejillas de quemadores, quemadores infrarrojos, o quemadores calientes.

Por cuestiones de seguridad use ropa adecuada. No use ropa holgada o mangas que cuelguen cuando use este aparato. Algunas telas sintéticas son muy inflamables y no deben usarse mientras cocina.

No use papel de aluminio para forrar ninguna parte de la placa de cocción. De lo contrario podría causar una descarga eléctrica o un fuego, o se podría obstruir el flujo del aire de combustión y de ventilación. El aluminio es un excelente aislante térmico y retiene el calor. Su utilización afectará a la cocción y podría dañar el acabado de la placa de cocción.

### ADVERTENCIA

Este aparato sirve para cocinar. Nunca utilice esta unidad como un calentador para calentar el cuarto. De lo contrario podría sufrir una intoxicación por monóxido de carbono, sobrecalentar el aparato y dañar piezas.

Cuando use la placa de cocción: **NO TOQUE LAS REJILLAS DE LOS QUEMADORES O EL ÁREA CERCANA.** Las áreas cercanas a los quemadores pueden calentarse lo suficiente como para causar quemaduras.

Nunca deje el aparato desatendido cuando cocine a altas temperaturas. Los derrames causan humo y puede inflamar la grasa derramada. Además, si se sofocan las llamas de un quemador, se escapará gas a la habitación. Vea la *página 1* para tener más información sobre fugas de gas.

Use solamente ciertos tipos de utensilios de vidrio, vidrio cerámico refractario, cerámica, barro u otros vidrios que estén disponibles para cocinar con los quemadores de la placa de cocción. Este tipo de utensilio puede romperse con cambios repentinos de temperatura. Utilice solamente

llama media o baja según las indicaciones del fabricante del utensilio.

No caliente recipientes cerrados. La presión acumulada puede causar que el contenedor explote y provocar lesiones.

Al cocinar, ajuste los quemadores para que las llamas sólo calienten el fondo de la olla sin extenderse más allá de la base.

### ADVERTENCIA

Evite el uso de llamas altas con una olla más grande que la rejilla o con una olla que abarque más de un quemador, como una plancha, por periodos largos de tiempo. Esto puede causar una mala combustión que genere derivados nocivos.

Tenga cuidado y asegúrese de que las corrientes de aire producidas por aberturas de ventilación o ventiladores no lleven material inflamable hacia las llamas ni empujen las llamas de modo que éstas se extiendan más allá de los bordes de la olla.

Siempre use ollas con un fondo plano suficientemente grandes para cubrir el quemador. El uso de ollas muy pequeñas podría dejar expuesta una parte de la llama y causar que la ropa prenda.

Para minimizar el riesgo de quemaduras, el encendido de materiales inflamables y derrames por accidente, coloque los mangos de los utensilios hacia adentro de modo que no se extiendan encima de áreas cercanas de trabajo, áreas de cocinar o el borde de la placa de cocción.

NO use ollas o sartenes en la parrilla (vendida por separado). Nunca se deben usar ollas grandes, las bandejas para galletas, etc. en la placa de cocción.

No use detergentes inflamables para limpiar la placa de cocción.

Agarre el mango de la olla para evitar que se mueva el utensilio cuando remueva o voltee alimentos.

Quite la tabla de cortar opcional de la cubierta de la plancha antes de utilizar la plancha o los quemadores adyacentes.



# INSTRUCCIONES IMPORTANTES DE SEGURIDAD

## LEA Y GUARDE ESTAS INSTRUCCIONES

LA GRASA ES INFLAMABLE. Permita que la grasa caliente se enfríe antes de tratar de manipularla. Evite la acumulación de depósitos de grasa. Limpie después de cada uso.

Para que se enciendan y funcionen correctamente los quemadores, mantenga limpios los orificios de los encendedores. Límpielos cuando se derramen alimentos hervidos o cuando el quemador no se encienda bien, aunque funcione el sistema de encendido electrónico.

Limpie la placa de cocción cuidadosamente. Evite quemaduras de vapor: NO use una esponja o un trapo húmedo para limpiar la placa de cocción cuando esté caliente. Algunos detergentes producen vapores nocivos cuando son aplicados a una superficie caliente. Siga las indicaciones del fabricante del detergente.

### ADVERTENCIA

Apague el quemador después de un derrame de alimentos y limpie el área alrededor de los orificios de los quemadores. Después de la limpieza, asegúrese de que funcione normalmente.

### ADVERTENCIA

No se debería instalar este aparato con un sistema de ventilación de corriente descendente. Este tipo de sistema de ventilación puede presentar riesgo de ignición y problemas de combustión, provocando lesiones corporales, daños materiales o un funcionamiento involuntario. No se aplica ninguna restricción a los sistemas de ventilación de corriente ascendente.

Asegúrese de que todos los controles de la placa de cocción estén apagados y que la plancha esté fría antes de usar algún tipo de detergente aerosol encima o alrededor de la placa de cocción. Los químicos provocados por la acción del spray podrían inflamarse o causar la corrosión de partes metálicas en presencia de calor.

Solamente técnicos autorizados deben dar servicio. Los técnicos deben desconectar la fuente de alimentación antes de dar servicio a esta unidad.

Para evitar el riesgo de incendio, limpie frecuentemente la campana y sus filtros para impedir las acumulaciones de grasa.

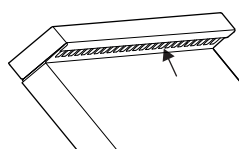
En caso de incendio, si flamea intencionalmente alcohol en la placa de cocción, siga las instrucciones del fabricante.

Tenga cuidado al cocinar con alcohol (ej.: ron, brandy, bourbon). El alcohol se evapora a altas temperaturas.

Los vapores de alcohol pueden arder y causar riesgo de quemadura. Sólo use pequeñas cantidades de alcohol con los alimentos.

NO obstruya el flujo del aire de combustión o de ventilación.

### ADVERTENCIA



**NO bloquee** y NO obstruya las aberturas de la rejilla de ventilación. La rejilla de ventilación se sitúa detrás del aparato. La rejilla de ventilación debe estar

despejada y abierta para permitir la circulación de aire necesaria para el buen funcionamiento del aparato.

**NO toque** la zona de alrededor de la rejilla de ventilación cuando esté funcionando el aparato ni durante varios minutos después de la utilización del mismo. Algunas piezas de la rejilla de ventilación y de la zona adyacente llegan a estar suficientemente calientes como para provocar quemaduras. Deje tiempo suficiente para que el aparato pueda enfriarse antes de tocarlo o limpiarlo.

**No coloque** objetos de plástico o de otras materias sensibles al calor en la rejilla de ventilación o cerca de ella. Podrían prender fuego.

NO almacene o use químicos corrosivos, vapores, productos inflamables o no alimenticios en o cerca de este aparato. Este tipo de placa de cocción está diseñada específicamente para calentar o cocinar alimentos. El uso de químicos corrosivos cuando caliente o limpie la placa de cocción puede dañar el aparato y causar lesiones.

### ADVERTENCIA

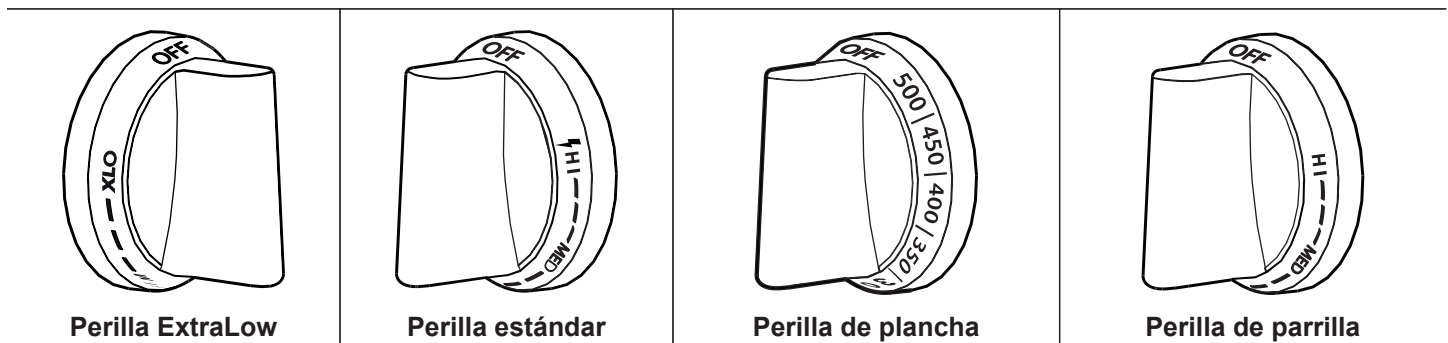
#### Advertencias en virtud de la Proposición 65 del estado de California:

Este producto contiene una o más sustancias químicas que el estado de California sabe que provocan cáncer, defectos congénitos, u otro daño reproductivo.

# Descripción

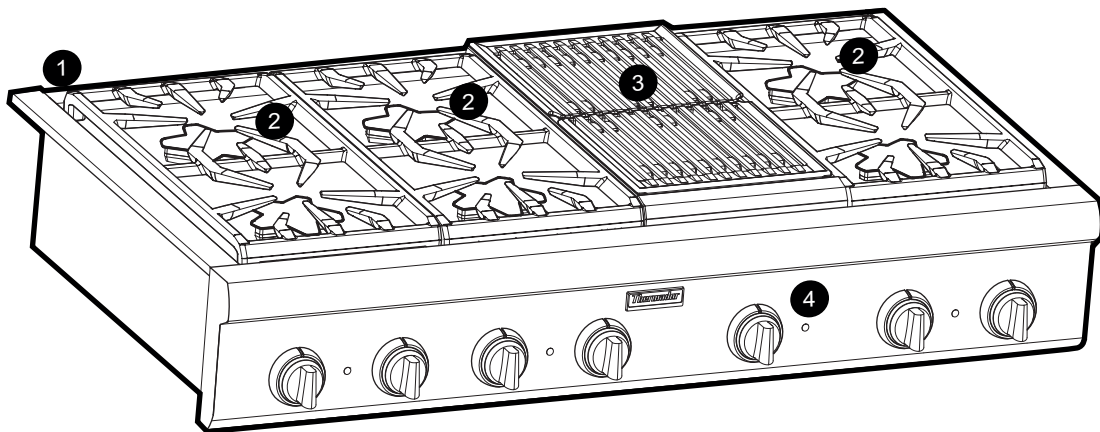
## Identificación de las piezas

Descripción de los tableros de control



Identificación de la placas de cocción (varios modelos)

El modelo mostrado es la placas de cocción de 48 pulg. con parrilla (los modelos varían)



1. Adorno de tipo isla o consola de protección baja (vendidos por separado)
2. Rejillas y quemadores
3. Parrilla eléctrica o plancha eléctrica (opción)
4. Luz del panel de control

Figura 1: Identificación de la placas de cocción

# Antes de comenzar

## Cómo comenzar

Quite toda la cinta y el material de embalaje antes de utilizar el aparato. Tire el material de embalaje después de la instalación. Nunca deje que los niños jueguen con el material de embalaje.

## Placa de señalización

Antes de la instalación, escriba en los espacios apropiados de el número de modelo y el número de serie (*"Placa de señalización" en la página 26*). La placa de señalización, que indica el número de modelo y el número de serie de su placa de cocción, se encuentra en la parte inferior del armazón, cerca de la parte delantera de la placa de cocción.

Esa información es necesaria si se requiere ayuda técnica en atención al cliente. Antes de la instalación, escriba en los espacios apropiados de esta página el número de modelo y el número de serie. Es difícil tener acceso a esta información una vez el aparato ha sido instalado.

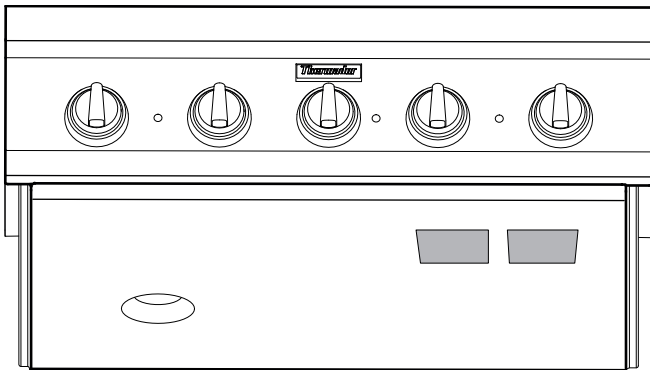


Figura 2: Ubicación de la placa de señalización

## Hornilla de superficie

1. **Asegúrese de que las tapas de los quemadores STAR® estén bien colocados en sus bases** (vea *"Verificación de la posición de las tapas de los quemadores" en la página 9.*)
2. Encienda cada quemador para asegurarse de que el color de la llama es correcto. Consulte la sección *"Descripción de la llama"* para obtener más detalles.

Las placas de cocción PROFESSIONAL® de THERMADOR emiten a veces olores particulares o humo cuando se usan por primera vez. Esos olores o este humo provienen de residuos de fabricación al ser quemados, lo que es típico en una nueva placa de cocción, sin importar el fabricante.

Tenga en cuenta que los pájaros domésticos pueden ser sensibles a los olores producidos durante la utilización de la hornilla a temperaturas altas, provenientes de la combustión de residuos de fabricación o de alimentos. Por eso, se recomienda no dejar los pájaros domésticos en la cocina.

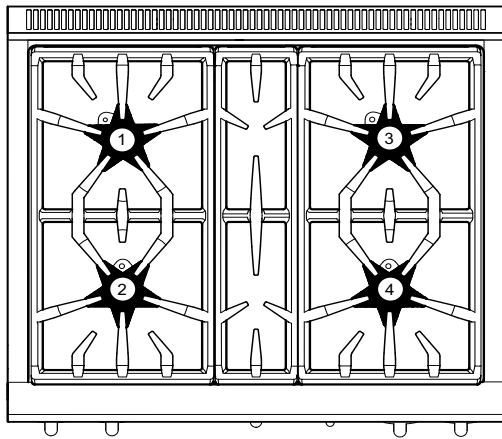
### IMPORTANTE:

**Todas las perillas de control deben estar a la posición OFF antes de encender la placa de cocción.**

Para evitar un funcionamiento no deseado, gire todas las perillas de control a la posición OFF.

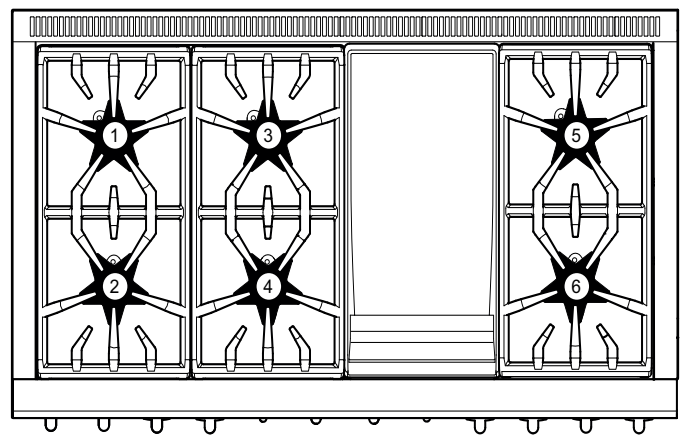
# Usar la Parilla

## Quemadores STAR<sup>®</sup> sellados



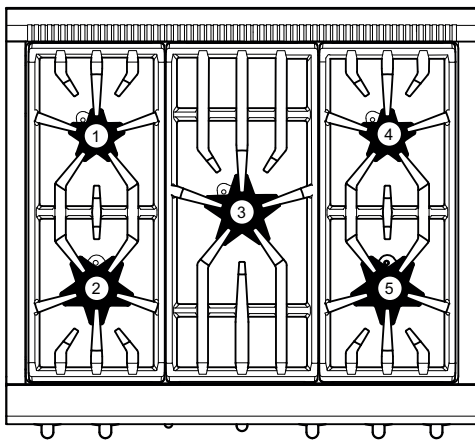
1. Trasero izquierdo (Gas Natural 18000 BTUs, LP 15000 BTUs) — Quemador ExtraLow<sup>®</sup>
2. Delantero izquierdo (Gas Natural 18000 BTUs, LP 15000 BTUs) — Quemador ExtraLow<sup>®</sup>
3. Trasero derecho (Gas Natural 18000 BTUs, LP 15000 BTUs)
4. Delantero derecho (Gas Natural 18000 BTUs, LP 15000 BTUs)

Figure 3: Model PCG304



1. Trasero izquierdo (Gas Natural 18000 BTUs, LP 15000 BTUs) — Quemador ExtraLow<sup>®</sup>
2. Delantero izquierdo (Gas Natural 18000 BTUs, LP 15000 BTUs) — Quemador ExtraLow<sup>®</sup>
3. Trasero central (Gas Natural 18000 BTUs, LP 15000 BTUs)
4. Delantero Central (Gas Natural 18000 BTUs, LP 15000 BTUs)
5. Trasero derecho (Gas Natural 18000 BTUs, LP 15000 BTUs)
6. Delantero derecho (Gas Natural 18000 BTUs, LP 15000 BTUs)

Figure 5: Model PCG364, PCG366, PCG486



1. Trasero izquierdo (Gas Natural 8000, LP 6000 BTUs) — Quemador ExtraLow<sup>®</sup>
2. Delantero izquierdo (Gas Natural 10000, LP 9100 BTUs)
3. Central (Gas Natural 15000, LP 11000 BTUs)
4. Trasero derecho (Gas Natural 8000, LP 6000 BTUs)
5. Delantero derecho (Gas Natural 14000 BTUs, LP 15000 BTUs) — Quemador ExtraLow<sup>®</sup>

Figure 4: Model PCG305

## Colocación de las tapas de los quemadores

Cada tapa tiene una letra (B, D o F) grabada en la parte inferior de la tapa que corresponde a una letra (B, D o F) grabada en la base de la hornilla que está unida al electrodoméstico.

- Coloque la tapa de cada hornilla en la base de la hornilla correcta según la designación de letra correspondiente.

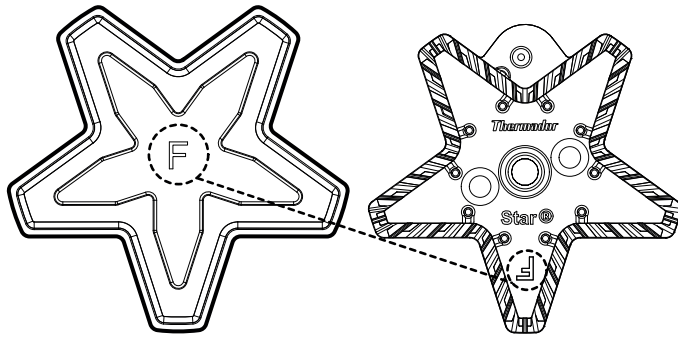


Figura 6: Componentes de los quemadores STAR

- Coloque la tapa de la hornilla suavemente sobre la base, de modo que los dientes de la base de la hornilla calcen bien en la ranura de la tapa de la hornilla.

## Tapas de los quemadores

Para asegurar un funcionamiento correcto, se deben colocar correctamente las tapas de los quemadores STAR® sobre su base. Si la tapa no se coloca correctamente, podría ocurrir uno de los siguientes problemas:

- Las llamas del quemador son demasiado altas
- Llamas excesivas salen del quemador
- El quemador no se enciende
- Las llamas del quemador son irregulares
- El quemador desprende olores.

### ⚠ ADVERTENCIA

Para evitar que los productos se prendan fuego o que se creen gases nocivos, no use la superficie de la estufa si las tapas y las rejillas no están todas colocadas correctamente.

### ⚠ ADVERTENCIA

Para prevenir quemaduras, evite tocar las tapas y las rejillas de los quemadores cuando estén calientes. Apague la estufa y deje los quemadores enfriarse.

## Verificación de la posición de las tapas de los quemadores

- Compruebe cada quemador para asegurarse de que no hay espacio entre la tapa y la base del quemador. Vea *Figura 7* para ejemplos de tapa de quemador instalada correctamente e incorrectamente.
- Puede intentar mover con cuidado las tapas de los quemadores lateralmente para asegurarse de que estén colocadas correctamente en su base. Cuando es el caso, las tapas están rectas en la base y cubren completamente la base del quemador en forma de estrella al mirarla desde arriba, como se muestra en la *Figura 7*.

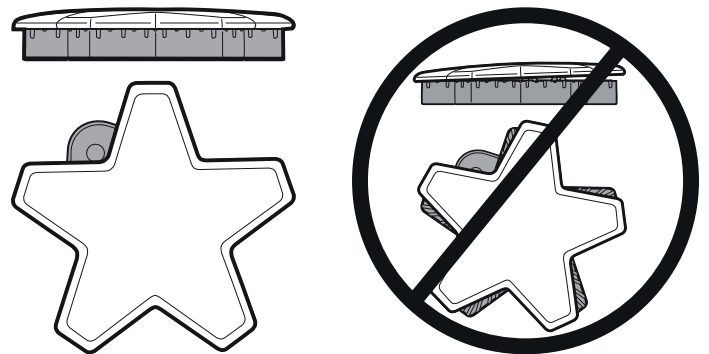


Figura 7: Tapa de quemador colocado correctamente

## Colocación de las rejillas de los quemadores

Asegúrese de que las rejillas de los quemadores estén adecuadamente colocadas en la tabla de cocción antes de utilizar los quemadores de los fogones. Las rejillas están diseñadas para apoyarse en el hueco de la tabla de cocción.

Para instalar las rejillas de los quemadores, colóquelas con el lado plano hacia abajo y alinéelas en el hueco de la tabla de cocción. Las rejillas tienen que apoyarse las unas sobre las otras y descansar en los bordes del hueco.

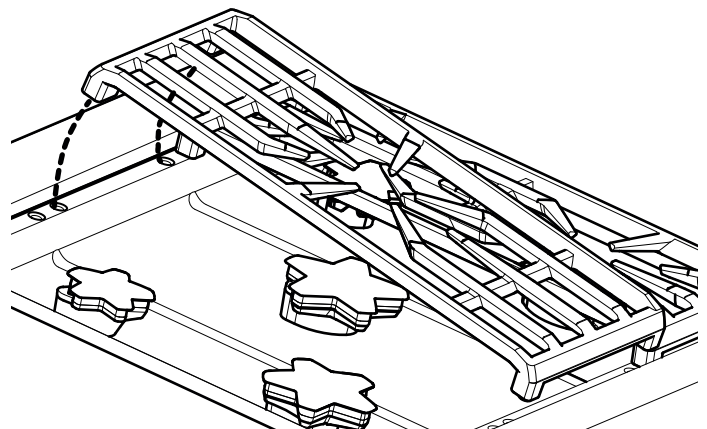


Figura 8: Colocación de las rejillas de los quemadores



## Perillas de Control

Las perillas de control para dos quemadores sellados de gas, uno en la parte delantera y uno en el fondo, se encuentran directamente en frente de y debajo del par de quemadores en el panel de control.

## Operación de los quemadores

1. Oprima la perilla y gírela en sentido opuesto a las agujas del reloj a la posición **HI**.
  - El encendedor del quemador seleccionado hace un chasquido y echa chispas.
  - Después de encender la llama, el chasquido del encendedor se detiene.
2. Gire la perilla a cualquier ajuste de la llama entre **HI** y **SIM**.
  - Se prende la luz azul de señal entre las perillas de los quemadores. Se enciende la luz cuando uno de los quemadores queda prendido y se apaga cuando está en la posición **OFF**.

## Quemadores ExtraLow®

El control para el quemador XLO tiene ajustes de las llamas aún más bajos que los ajustes estándar para el modo **SIM** (hervir a fuego lento).

El dibujo muestra que la perilla de control tiene un rango adicional entre el ajuste **SIM** y **XLO**. Cuando se ajusta la perilla dentro de este rango, la llama se prende y se apaga. Variando la duración de tiempo que se prende y apaga la llama, se puede reducir el calor aún más para cocinar alimentos delicados. Por ejemplo, estos ajustes de calor muy bajo son apropiados para hervir a fuego lento y para escalfar, derretir chocolate y mantequilla, mantener calientes alimentos cocidos a temperaturas sin quemarlos, etc.

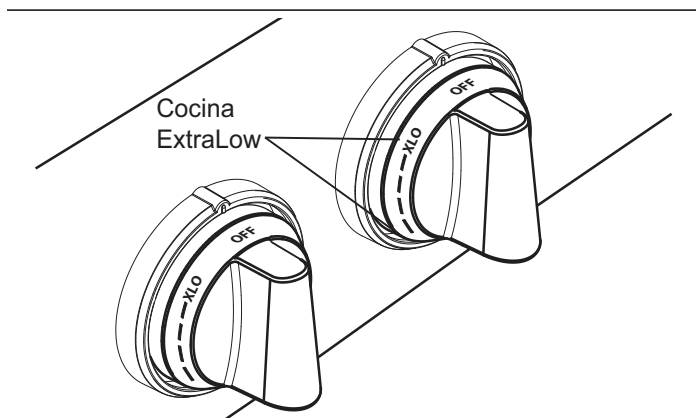


Figura 9: Perilla de control del quemador ExtraLow

## Operación del quemador ExtraLow

- Se logra el ajuste más bajo de calor, **XLO**, al prender la llama por aprox. 7 segundos y apagarla por 53 segundos de cada minuto.
- Cuando se ajusta la perilla justamente debajo de la posición **SIM**, se prende la llama por aprox. 7 segundos y se apaga por 53 segundos de cada minuto.
- Para variar la cantidad de bajo calor y para adecuarse a los alimentos y las cantidades, se puede ajustar el control en cualquier posición dentro del rango de **SIM** y **XLO** marcado en la perilla.

## Técnicas ExtraLow

- El tipo y la cantidad de alimentos afectan al ajuste que se debe usar.
- La olla seleccionada afecta al ajuste de calor. Su tamaño, tipo, material y si se usa una tapa, todos afectan la consistencia de la temperatura de cocinar.
- Para mantener un bajo calor, se debe calentar el alimento hasta hervir. Revuelva bien, luego tape la olla y baje el calor a un ajuste un poco abajo de **SIM**.
- Revise periódicamente para ver si se debe girar la perilla de control a otro ajuste.
- Cuando se usa una olla extra grande, la acción de hervir a fuego lento (SIM) puede ocurrir principalmente en el centro de la olla. Para igualar la temperatura en todo el alimento, revuélvalo bien en los extremos exteriores de la olla hacia el centro del alimento.
- Es normal revolver el alimento de vez en cuando mientras lo hierva a fuego lento. Esto es muy importante cuando lo hace por varias horas, como para una salsa casera de espaguetis o frijoles.
- Cuando baja el ajuste de la llama, hágalo poco a poco.
- Si el ajuste está muy bajo para seguir hirviendo a fuego lento, vuelva a hervir el alimento antes de reajustar a un calor más fuerte.
- Es normal ver burbujas del fuego lento inmediatamente después de revolver el alimento.
- Puede haber burbujas cuando la llama se prende y se apaga en ciclos y ninguna burbuja cuando la llama está apagada. Aún cuando la llama está apagada, habrá vapor y una ligera agitación en la superficie del líquido.

## Reencendido Automático

Cada quemador STAR® tiene su propio encendedor electrónico que echa chispas cuando se activa la perilla. Los quemadores deben encenderse en 4 segundos o menos. Si un quemador no se enciende, asegúrese de que la tapa esté colocada correctamente sobre la base.

Si se apagan las llamas de uno o más quemadores, el encendedor electrónico echa chispas automáticamente para volver a encender la llama. No toque los quemadores cuando los encendedores echen chispas.

### ⚠ PRECAUCIÓN

No toque los quemadores cuando los encendedores echan chispas.

### IMPORTANTE:

- Para una combustión adecuada, no use la estufa sin tener las rejillas de los quemadores en su lugar.
- Hay un ligero sonido asociado con la combustión de gas y el encendido. Esto es normal.

## Apagón

### ⚠ ADVERTENCIA

En el caso de un apagón, se deben girar todas las perillas a la posición OFF. Solamente se pueden encender manualmente los quemadores estándares STAR.

- Solamente en el caso de una falla de electricidad pueden encenderse manualmente los quemadores estándares. Es necesario encender cada uno individualmente.
- Si se está usando la parrilla cuando se va la luz, gire **todas** las perillas a la posición **OFF** (Apagado).
- Se pueden encender los quemadores estándar con un cerillo prendido cerca de los puertos y girando la perilla de control a la posición **HI**. Espere hasta que la llama envuelva toda la tapa del quemador antes de ajustar la llama a la altura deseada.
- No se puede usar el quemador ExtraLow durante una falla de electricidad. **Asegúrese de apagarlo.**
- Si el quemador ExtraLow está prendido cuando se va la luz, no se puede volver a prender hasta no apagar primero la perilla.
- No se pueden usar la plancha durante una falla de luz.
- Si huele a gas, consulte las precauciones de seguridad listadas dentro de la portada.

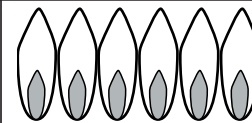
## Altura de la llama

- La altura correcta de la llama depende de: 1) tamaño y material de la olla utilizada; 2) alimento que se está preparando; 3) cantidad de líquido en la olla.
- La llama nunca se debe extender más allá de la base de la olla.
- Use una llama baja o mediana para ollas de materiales que conduzcan el calor lentamente, como el acero esmaltado o la vitrocerámica.

## Descripción de la llama

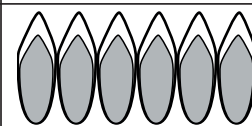
### Flama amarilla:

Se requiere más ajuste.



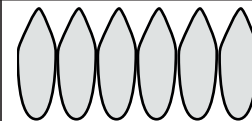
### Puntas amarillas sobre conos:

Normal para Gas LP.



### Flama azul suave:

Normal para Gas Natural.



Si la flama es casi o completamente amarilla, verifique que el regulador está establecido para el combustible correcto. Posterior al ajuste, vuelva a probar.

Se pueden producir algunas rayas anaranjadas en el encendido inicial. Permita que la unidad trabaje durante 4-5 minutos y vuelva a evaluar antes de realizar ajustes.

**Figura 10: Características de las llamas**

- La llama de los quemadores debe ser de color azul sin puntas amarillas. A veces, toma parcialmente un color naranja: esto indica que se están quemando impurezas suspendidas en el aire. Desaparecerá con el uso.
- Con gas propano (LP), es normal tener algunas puntas de color amarillo en el cono principal.
- La llama debe quemar completamente alrededor de la tapa del quemador. En caso contrario asegúrese de que la tapa esté colocada correctamente sobre la base y que los puertos no estén tapados.
- La llama debe estar estable sin ruido o flameado excesivo.

# Recomendaciones para los utensilios de cocina

## ▲ PRECAUCIÓN

Para evitar dañar seriamente el aparato o las ollas, lea las siguientes instrucciones:

- Nunca se deben usar grandes utensilios en la superficie de la estufa, como cazuelas grandes, bandejas para galletas, etc.
- Las ollas grandes para caldos deben colocarse en forma escalonada cuando se usan en la estufa.

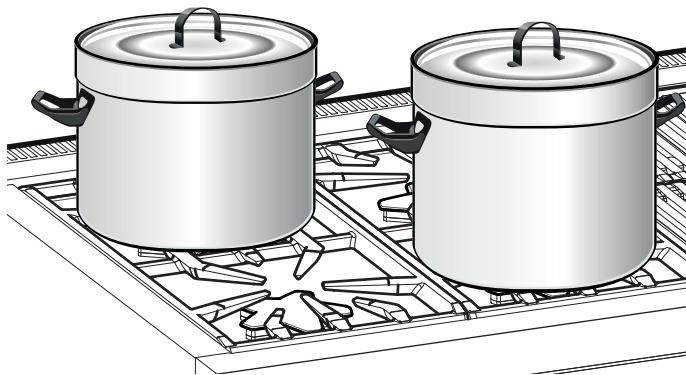


Figura 11: Diámetro de base

- Seleccione ollas cuyo diámetro coincida con el diámetro de la llama. El diámetro de la llama debe ser del mismo tamaño que la base de la olla o ligeramente más pequeña. Ollas demasiado grandes o pequeñas perjudican el rendimiento. Generalmente un tamaño de olla de 5½ pulg. (140 mm) es el más pequeño que se recomienda.
- Evite usar durante demasiado tiempo un ajuste de llama intenso cuando utilice una olla cuyo diámetro sea más grande que la rejilla o que ocupe el espacio de más de un quemador, como una bandeja. Esto puede generar una mala combustión y gases nocivos.
- La base de la olla es un factor importante para la estabilidad y uniformidad de la cocción. El asa no debe ser más pesada que la olla para que ésta no se incline. La olla debe ponerse al ras sobre la rejilla sin balancearse ni estar inestable.

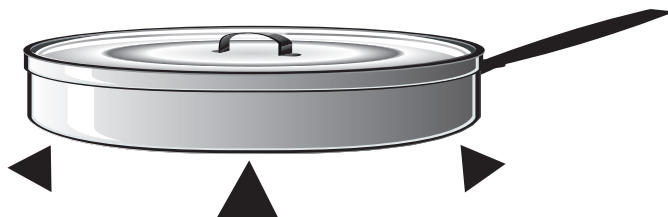


Figura 12: Olla balanceada

- No se deben colocar alimentos envueltos en papel de aluminio directamente sobre la rejilla del quemador. El papel de aluminio puede derretirse durante la cocción.

- No permita que artículos de plástico, papel o tela entren en contacto con la rejilla caliente de un quemador. Podrían derretirse o prender fuego.
- Nunca hierva una olla hasta quedar seca. Esto puede dañar su olla y la superficie de la estufa.
- Recomendamos utilizar ollas de calidad profesional con asas de metal porque las asas de plástico pueden derretirse o bullir cuando la llama sube por el costado de la olla. Se pueden encontrar ollas de calidad profesional en tiendas de suministro para restaurantes y tiendas especiales. Todos los utensilios de cocina deben tener estas características: buena conductividad de calor, buen balance de peso, diámetro de la base de tamaño correcto, una base plana, pesada y una tapa que cierre bien.
- Para lograr mejores resultados, se debe mantener la llama bajo el fondo de la olla.
- El aluminio y el cobre son materiales de ollas que conducen el calor de un modo rápido y uniforme. Estos metales se encuentran a veces en la base de la olla o entre las capas de acero inoxidable.

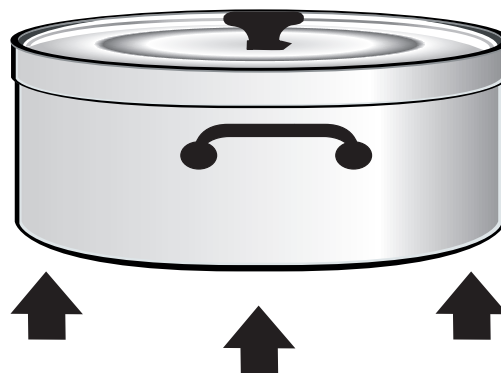


Figura 13: Olla de base plana

- Una base plana y pesada es estable cuando se calienta. Bases de ollas deformadas, dentadas, estriadas o muy ligeras se calientan de un modo poco uniforme. Caliente y enfríe las ollas gradualmente para evitar cambios repentinos de temperatura, lo cual tiende a deformarlas. No ponga agua fría en una olla caliente.
- Una tapa bien ajustada al diámetro de la olla acorta el tiempo de cocción y permite cocinar a temperaturas más bajas.

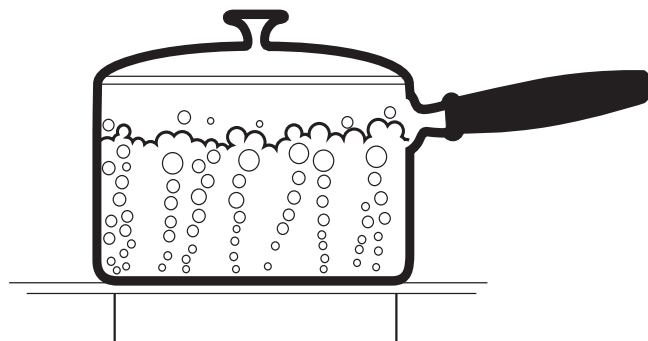


Figura 14: Olla tapada

# Utensilios especiales de cocina

## Wok

- Se pueden usar tanto woks de base plana como redonda con el anillo de soporte en todos los modelos. Para los woks de base redonda se debe usar un anillo de soporte. El wok y el anillo de soporte para wok de hierro fundido esmaltado de porcelana se venden por separado.

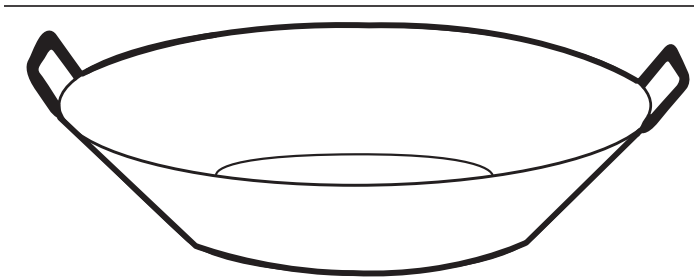


Figura 15: Olla tipo wok con base plana

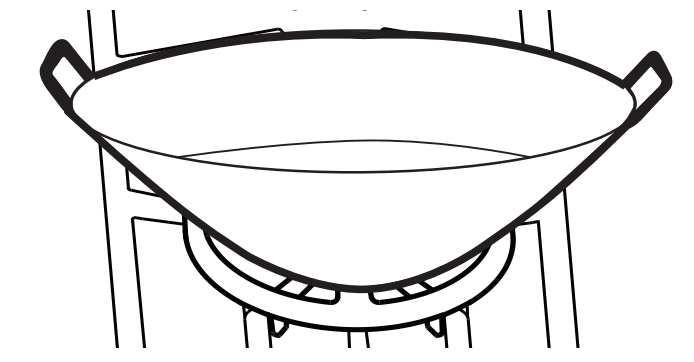


Figura 16: Wok con base redonda en un anillo de soporte

## Olla grande para caldos y olla a presión

- Seleccione una con un diámetro de base que no salga más de 2 pulgadas (51 mm) de la rejilla.

## Baño María de dimensiones estándares

- 21 a 22 cuartos de galón (19,95 a 20,9 litros), con una base de 11 a 12 pulg. (279 a 305 mm) y una altura de 9 a 11 pulg. (229 a 279 mm).

## Olla a presión de tamaño estándar

- 8 a 22 cuartos de galón (7,6 a 20,9 litros), con una base de 8 a 11 pulg. (203 a 279 mm) y una profundidad de 6,5 a 12 pulg. (165 – 305 mm).

## Consejos para usar ollas a presión

- Es preferible usar una base plana que una cóncava, convexa o estriada.
- Cuando use dos ollas a presión al mismo tiempo, use quemadores escalonados. No bloquee la circulación de aire alrededor de los quemadores. Una llama necesita el aire suficiente para que la combustión se haga bien.
- Use una tapa sobre las ollas a presión cuando lleve el contenido a ebullición.
- Una vez que el contenido haya hervido en la posición HI, use la llama más baja posible para mantener la ebullición o la presión.
- Las ollas a presión producen grandes cantidades de vapor. Tenga cuidado para evitar quemaduras.

## Sugerencias para utilizar los quemadores recomendaciones para la cocción

- Consulte la tabla de la página 14. Los ajustes de temperaturas varían dependiendo de las ollas seleccionadas y de la temperatura inicial de los alimentos.
- En la tabla se ha separado el "Ajuste final" para los quemadores estándares y los quemadores ExtraLow<sup>®</sup>. Según el caso, puede haber un cambio entre los ajustes de los dos tipos de quemadores.
- El ajuste ExtraLow de los quemadores STAR<sup>®</sup> puede servir para cocinar o para mantener alimentos calientes.
- Suba o baje el ajuste de la llama gradualmente. Dé tiempo para que la olla y el alimento se puedan ajustar al nuevo ajuste de calor.

# Recomendaciones de cocción con los quemadores de la estufa

ALIMENTO	AJUSTE INICIAL	AJUSTE FINAL – QUEMADOR ESTÁNDAR	AJUSTE FINAL –QUEMADOR EXTRALOW® (XLO)
<b>BEBIDAS</b> Cacao (Chocolate)	<b>MED</b> – calentar la leche, cubrir	<b>SIM</b> – terminar de calentar	<b>XLO</b> – para mantener caliente, tapar*
<b>PANES</b> Pan Francés, Crepas, Sándwich a la plancha	<b>MED</b> – precalentar la sartén	<b>SIM a MED</b> – cocinar	Igual que el quemador estándar
<b>MANTEQUILLA</b> Derretir	<b>SIM</b> – para empezar el derretimiento	<b>XLO</b> – Para mantener la temperatura*	5 a 10 minutos para que se derrita
<b>CEREALES</b> Harina de maíz, Sémola, Avena	<b>HI</b> – tapar, hervir el agua, agregar los cereales	<b>SIM a MED</b> – terminar la cocción según las indicaciones en el embalaje	<b>XLO</b> – mantener, tapar*
<b>CHOCOLATE</b> Derretir	<b>XLO</b> – se puede revolver para acelerar el proceso	Usar <b>XLO</b>	<b>XLO</b> –10 a 15 minutos para que se derrita <b>XLO</b> – mantener*
<b>POSTRES</b> Caramelos	<b>SIM a MED</b> – cocinar según la receta	<b>MED SIM a MED</b>	Igual que el quemador estándar
Pudín y Relleno para tartas	<b>SIM a MED SIM</b> – cocinar según las indicaciones	<b>SIM a MED</b>	Igual que el quemador estándar
Pudín	<b>SIM a MED SIM</b> – hervir la leche	<b>SIM</b>	Igual que el quemador estándar
<b>HUEVOS</b> Cocidos con la cáscara	<b>MED HI</b> – tapar, hervir el agua, agregar huevos, tapar	Usar <b>XLO</b>	<b>XLO</b> – cocinar 3 a 4 minutos para quedar suave; o 15 a 20 minutos para quedar duros
Fritos, Revueltos	<b>SIM a MED</b> – derretir mant., agr. huevos	<b>SIM</b> – terminar la cocción	Igual que el quemador estándar
Escalfados	<b>HI</b> – hervir agua, agregar huevos	<b>MED a MED</b> – terminar la cocción	Igual que el quemador estándar
<b>CARNE, PESCADO, AVE</b> Tocino, Salchichas	<b>MED HI</b> – hasta que la carne empieza a chisporrotear	<b>MED a MED</b> – terminar la cocción	Igual que el quemador estándar
En su jugo: Filete Suizo, Estofado, Guisar carne	<b>MED HI</b> – derretir grasa, dorar en <b>MED HI</b> , agr. líquido, tapar		<b>XLO</b> – Dejar a fuego lento hasta que la carne está tierna
Fritura rápida: Filetes de desayuno	<b>MED HI</b> – precalentar sartén	<b>MED a MED HI</b> – freír rápidamente en la sartén	Igual que el quemador estándar
Fritura: Pollo	<b>MED HI</b> – calentar aceite, dorar en <b>MED</b>	<b>SIM</b> – cubrir, terminar la cocción	Igual que el quemador estándar
Fritura con aceite abundante: Camarones	<b>MED HI</b> – calentar aceite	<b>MED a MED HI</b> – mantener la temperatura	Igual que el quemador estándar

\*Se recomienda revolver los alimentos de vez en cuando.

ALIMENTO	AJUSTE INICIAL	AJUSTE FINAL – QUEMADOR ESTÁNDAR	AJUSTE FINAL –QUEMADOR EXTRALOW® (XLO)
Fritura: chuletas de cordero, filetes delg., hamburguesas., salchichas enteras	<b>MED HI</b> – precalentar sartén	<b>MED</b> – dorar la carne	Igual que el quemador estándar
Escalfado: pollo, entero o piezas, pescado	<b>MED HI</b> – tapar, hervir los líquidos		Para terminar de cocinar
Hervido a fuego lento: Pollo estofado, carne curada, Lengua, etc.	<b>HI</b> – tapar, hervir los líquidos		Dejar a fuego lento
<b>PASTA</b> Macarrones, Fideos, Espaguetis	<b>HI</b> – hervir el agua, agregar la pasta	<b>MED a HI</b> – para q siga hirviendo	Igual que el quemador estándar
<b>OLLA DE PRESIÓN</b> Carne	<b>MED HI a HI</b> – aumentar presión	<b>SIM a MED</b> – mantener presión	Igual que el quemador estándar
Verduras	<b>HI</b> – aumentar presión	<b>MED SIM a MED</b> – mantener presión	Igual que el quemador estándar
Arroz	<b>HI</b> – cubrir, calentar el agua y el arroz hasta que hierva	mantener hirviendo a <b>SIM</b> , cubrir hasta que se evapore el agua.	Cocinar según las indicaciones del embalaje <b>XLO</b> – mantener, tapar
<b>SALSAS</b> A base de tomate	<b>MED HI</b> – cocinar carne / verduras, seguir la receta	<b>SIM</b> para cocinar a fuego lento	<b>XLO</b> – fuego lento para espesar la salsa, destapado
Blanca, Crema, Bernesa	<b>MED</b> – derretir la grasa, seguir la receta	<b>SIM a MED SIM</b> – terminar la cocción	<b>XLO</b> –mantener, tapar*
Holandesa	<b>XLO</b>		<b>XLO</b> – mantener el ajuste de calor más bajo por un período corto, revolver frecuentemente
<b>SOPAS, CALDOS</b>	<b>HI</b> – tapar, hervir el líquido	<b>SIM</b> para cocinar a fuego lento	Fuego lento <b>XLO</b> – mantener, tapar*
<b>VERDURAS</b> Frescas	<b>HI</b> – tapar, hervir el agua y las verduras	<b>SIM a MED</b> – cocinar 10 min., o hasta quedar suave	<b>XLO</b> – mantener, tapar
Congeladas	<b>HI</b> – tapar, hervir el agua y las verduras	<b>SIM a MED</b> – cocinar según las indicaciones del embalaje	Igual que el quemador estándar
Fritura en aceite abundante	<b>HI</b> – calentar aceite	<b>MED a MED HI</b> – mantener temperatura de fritura	Igual que el quemador estándar
Salteadas	<b>MED HI</b> – calentar aceite o derretir mantequilla y agregar verduras	<b>SIM a MED</b> – cocinar al término deseado	Igual que el quemador estándar
Sofritas	<b>HI</b> – calentar aceite, agregar verduras	<b>HI</b> – terminar la cocción	Igual que el quemador estándar

\*Se recomienda revolver los alimentos de vez en cuando.

# Uso de la plancha eléctrica (disponible con algunos modelos)

## Descripción

La plancha empotrada está hecha de aluminio de calidad profesional con un acabado antiadherente. Esto crea una superficie fácil de limpiar que conduce el calor uniformemente.

Se venden por separado como accesorios: una tabla de cortar de arce, una cubierta de acero inoxidable y una bandeja con revestimiento de aluminio. La tabla de cortar de arce y la cubierta en acero inoxidable están diseñadas para encajar sobre la superficie de la plancha cuando no se utiliza la plancha. La bandeja con revestimiento de aluminio está diseñada para reemplazar a la plancha. Para obtener más detalles, vea las instrucciones de los accesorios de la plancha.

Antes de encender la plancha se deben quitar la tabla de cortar de arce y la cubierta de acero inoxidable.

### ⚠ PRECAUCIÓN

La plancha está caliente después de cada utilización. Déjela enfriar completamente antes de limpiarla.

### ⚠ ADVERTENCIA

Para evitar lesionarse, no utilice nunca la plancha si la bandeja o la parrilla no están instaladas. No utilice la plancha de una forma distinta de lo que está indicado en el manual de uso y cuidado.

La bandeja de la plancha (o el accesorio de la parrilla) siempre debe estar instalada cuando se usa la plancha.

- La plancha eléctrica tiene una potencia de 120 VCA, 1630 vatios.
- La plancha se ajusta electrónicamente a las temperaturas indicadas en las perillas, de 150°F a 500°F (66°C a 260°C).
- No hay ajustes fijos en la perilla.
- Oprima y gire la perilla en el sentido de las agujas del reloj para obtener la temperatura deseada.

## Preparación de la plancha

Si la estufa está equipada con una plancha eléctrica, compruebe el ajuste de la tabla de la plancha echando dos cucharadas de agua en la parte trasera de la plancha. El agua debería correr lentamente hasta la bandeja de grasa. Si no es el caso, ajuste los dos tornillos que están debajo de la tabla. Empiece girando los tornillos de una media vuelta en el sentido contrario a las agujas del reloj. Los ajustes siguientes se deben hacer por cuarto de giro hasta que el agua corra lentamente hacia la bandeja para grasa.

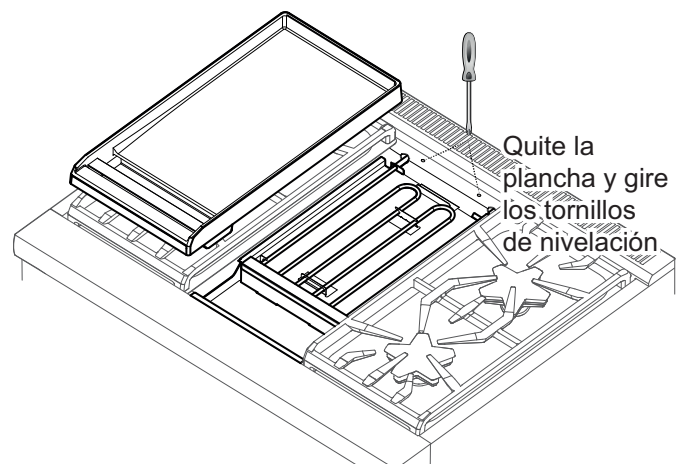


Figura 17: Tornillos de nivelación de la plancha

Antes de usarla, se debe lavar la bandeja de la plancha con agua caliente jabonosa y luego enjuagarla con agua limpia. Se puede usar la plancha sin mantequilla, margarina o aceite, o se puede echar una cantidad pequeña para dar sabor a los alimentos.

NO utilice utensilios metálicos en la plancha. Tenga cuidado de no dañar la superficie. No corte alimentos directamente sobre la plancha.

**AVISO:** El rendimiento de la plancha / estufa puede variar si el flujo de aire alrededor del aparato es demasiado elevado. El flujo de aire excesivo podría provenir de un registro de aire acondicionado o de un ventilador de techo que sopla hacia el aparato. Esto podría prolongar el tiempo de calentamiento o provocar temperaturas en la plancha/estufa que no corresponden con el ajuste indicado por los botones.

**NOTA:** Una campana adecuadamente instalada no se considera como una fuente de flujo de aire excesiva.

## Recomendaciones para usar la plancha

ALIMENTO	AJUSTE
Huevos	325°F – 350°F (160°C – 180°C)
Tocino, salchichas de desayuno	450°F – 475°F (230°C – 245°C)
Sándwich tostado	375°F – 400°F (190°C – 200°C)
Pechuga pollo sin hueso	425°F – 450°F (220°C – 230°C)
Chuletas de 1 pulg. (25,4 mm)	425°F – 450°F (220°C – 230°C)
Filete de 1 pulg. (25,4 mm)	450°F – 475°F (230°C – 245°C)
Carne molida (hamburguesas 6 onzas)	450°F – 475°F (230°C – 245°C)
Albóndigas de carne de pavo picada, 6 onzas	450°F – 475°F (230°C – 245°C)
Perritos calientes	350°F – 375°F (180°C – 190°C)
Lonchas de jamón de 1/2 pulg. (12,7 mm)	350°F – 375°F (180°C – 190°C)
Crepes, Pan Francés	400°F – 425°F (200°C – 220°C)
Papas; papas doradas	400°F – 425°F (200°C – 220°C)

\* Para obtener una cocción uniforme, asegúrese de que los alimentos sean más o menos igual de gruesos por todas partes.

Utilice el ajuste de temperatura más bajo. Es posible que tenga que modificar las recetas ya que el revestimiento antiadherente dora y chamusca los alimentos a bajas temperaturas.

## Bandeja de grasa de la plancha

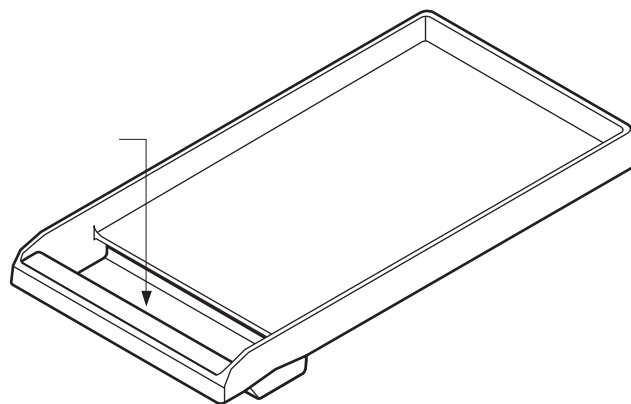


Figura 18: Bandeja de grasa

- Limpie la bandeja después de cada uso. Al quitar la bandeja, tenga cuidado para que no se derrame el contenido.
- La placa y la bandeja de grasa de la plancha se pueden lavar en el lavavajillas.
- Cuando se ha enfriado, ponga la grasa en un recipiente resistente a la grasa antes de tirarlo.

## Cocinar en la plancha

1. Gire la perilla a la temperatura de cocción apropiada para precalentar la plancha.
2. Precaliéntela hasta que la luz de la plancha se apague.
3. Añada mantequilla, margarina, aceite o grasa vegetal si lo desea.

## Recomendaciones de limpieza

- No vierta **NUNCA** agua fría sobre una plancha caliente. Podría deformarse o agrietarse.
- **NO** limpie ninguna parte de la parrilla o la plancha en un horno con autolimpieza.
- Tenga cuidado de no dañar la superficie.
  - No corte alimentos directamente sobre la plancha.
  - No utilice utensilios de metal.
  - Utilice utensilios de plástico o madera para evitar rayar la superficie antiadherente.
- Se puede lavar la plancha en el lavaplatos. Sin embargo, recomendamos lavarla a mano.



# Instrucciones de engrasado de la placa de la plancha

Si la placa de la plancha parece perder sus propiedades antiadherentes con el paso del tiempo, las instrucciones siguientes deberían devolverle dichas propiedades. Para asegurar el rendimiento óptimo de la placa de su plancha y alargar su vida útil, siga estas sencillas instrucciones de limpieza y engrasado.

## Preparación de la plancha para el engrasado

Se debe limpiar la placa de la plancha y quitar todos los residuos antes de proceder al engrasado de la plancha.

1. Utilice una mezcla de sal gorda y de vinagre blanco para quitar todos los residuos de la placa de la plancha.

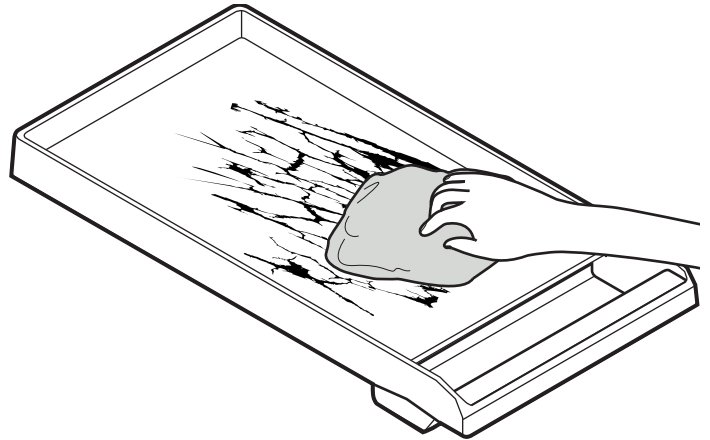


2. Enjuague bien con agua clara.
3. Seque la plancha.

## Engrasado de la plancha

El engrasado es un proceso en el que se aplica y cuece una capa de grasa animal o de aceite vegetal en un instrumento de cocción. La capa de grasa proporciona una superficie antiadherente para cocinar.

1. Utilice una servilleta de papel para aplicar una capa fina y uniforme de manteca, Crisco® o aceite de oliva sobre la superficie de la plancha.



2. Cueza la placa de la plancha en el horno a 350°F durante una hora.
3. Saque la placa de la plancha del horno y déjela enfriar a temperatura ambiente.
4. Aplique una segunda capa de grasa o aceite y cuézela de nuevo a 350°F durante una hora.
5. Repita el proceso por lo menos otra vez hasta un total de tres capas de grasa o aceite.

## Después del engrasado

1. Después de cocer su plancha engrasada, déjela enfriar y límpiela con un trapo húmedo. Déjela secar.
2. Añada una capa fina de aceite o grasa antes de almacenarla en un lugar fresco y seco.
3. El hecho de repetir este proceso engrasará la plancha y le ayudará a conservar sus propiedades antiadherentes. El rendimiento mejorará con más engrasados a lo largo del tiempo.
4. Para quitar las capas de aceite de la plancha antes de volver a engrasarla, utilice una mezcla de sal y vinagre.

# Uso de la parrilla eléctrica

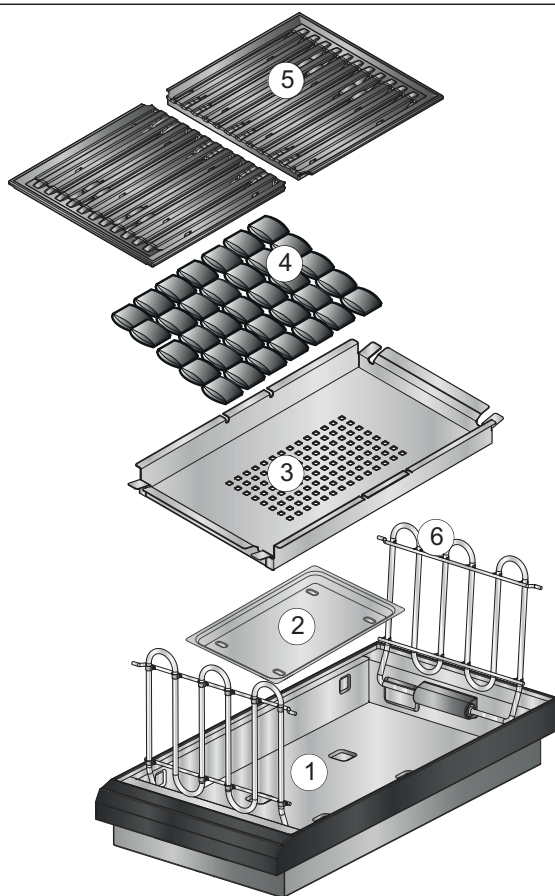
## (parrilla disponible con algunos modelos)

### Descripción

Las rejas de la parrilla empotrable están hechas de hierro colado de calidad profesional. Este material da a las rejillas una superficie que reparte uniformemente el calor y que es fácil de limpiar.

Se puede instalar una plancha de hierro colado antiadherente (*PAGRIDDLEN*), vendida por separado. Consulte las instrucciones del accesorio de la plancha para saber más detalles.

### Ensamblaje de la parrilla



1. Caja de la parrilla
2. Bandeja para la grasa de la parrilla
3. Cesta de briquetas de cerámica
4. Briquetas de cerámica
5. Rejillas de la parrilla (x2)
6. Resistencias (x2)

1. Rote las resistencias (6) y quite la cesta de briquetas de cerámica situada dentro de la caja de la parrilla (1).
2. Instale la bandeja para grasa (2) debajo de la caja de la parrilla (1). (La bandeja de grasa está empaquetada en la caja de cartón grande de la estufa.) Alinee los salientes de la bandeja de grasa (2) con los huecos situado debajo de la caja (1).
3. Ponga la cesta de briquetas de cerámica (3) en la caja de la parrilla (1).
4. Coloque las briquetas de cerámica (4) en la cesta de briquetas (3), en una sola capa, para que cada una toque las briquetas adyacentes. Las briquetas de cerámica no deben estar en contacto con los elementos térmicos.
5. Empuje hacia abajo las dos resistencias de la parrilla (6). Las resistencias deben estar niveladas. Los soportes deben descansar dentro de los pestillos laterales.
6. Instale las rejillas de la parrilla (5). Asegúrese de que las rejillas estén instaladas a nivel con la caja de la parrilla (1).
  - Antes de usarla, se deben lavar las rejillas de la parrilla con agua caliente jabonosa y luego enjuagarla con agua limpia.

### Funcionamiento de la parrilla

#### ⚠ ADVERTENCIA

- Para evitar todo riesgo de lesión, **NUNCA** use la parrilla si no hay rejillas o una plancha.
- **NUNCA** deje la parrilla sin atención mientras cocine.
- Tenga cuidado con el aceite y la grasa. Los aceites y grasas sobrecalentados pueden provocar incendios.
- NO utilice virutas, piedras de lava, o briquetas de carbón. Utilice sólo las briquetas de cerámica (*PABRICKBKN*) recomendadas.
- NO utilice platos, cacerolas, sartenes u otros utensilios sobre la parrilla.
- **Nunca utilice papel de aluminio para forrar las rejillas o la parrilla.** Esto puede dañar la parrilla y provocar un riesgo de incendio si el calor queda atrapado debajo.
- Compruebe las bandejas de grasa antes de cada utilización. La acumulación de mucha grasa puede presentar un riesgo de incendio.
- Si se producen llamas, limpie la grasa acumulada sobre las rejillas, la bandeja de grasa, la cesta de briquetas de cerámica y las otras superficies.
- Las acumulaciones de grasa favorecen la formación de llamas y de humo durante la cocción.
- Se deben sustituir las briquetas de cerámica cuando estén negras, lo que significa que están saturadas de grasa y pueden producir mucho humo o incluso prenderse.

## IMPORTANTE:

- Si aparecen llamas mientras cocina con la parrilla, apague el aparato y quite los alimentos. Tenga cuidado de no lesionarse cuando quite los alimentos.
- A menudo, las llamas se apagan por sí solas al cabo de unos minutos, una vez se han quemado las acumulaciones de grasa. No deje la parrilla sin supervisión antes de que se hayan apagado las llamas. Se pueden sofocar las llamas espolvoreándolas con una generosa capa de bicarbonato de sodio o sal.
- Si aparecen llamas, sustituya las briquetas de cerámica y limpie las acumulaciones de grasa sobre las rejillas, la bandeja de grasa, la cesta de briquetas de cerámica y las otras superficies antes de volver a utilizar la parrilla. Las acumulaciones de grasa sin limpiar favorecen la formación de llamas y humo durante la cocción.
- Seque los alimentos húmedos antes de colocarlos sobre la parrilla.
- Cuanto más húmedo es un alimento, más humo es susceptible de producir.
- Durante la utilización de la parrilla, las acumulaciones de grasa pueden arder brevemente.

### ADVERTENCIA

#### PARA EVITAR RIESGOS DE QUEMADURAS:

- Utilice utensilios apropiados con mangos largos que le permitan manejar los alimentos evitando el calor y las posibles llamas.
- NO lleve ropa suelta cuando cocine.
- Nunca deje la parrilla sin supervisión cuando cocine.
- Después de cada utilización, quite las acumulaciones de grasa de las superficies de la parrilla y de las bandejas de grasa para evitar riesgo de incendio. Debería limpiar periódicamente la campana y las superficies alrededor de la parrilla según las recomendaciones del manual de uso.
- Tenga un extintor cerca y fácilmente accesible.

## Funcionamiento de la parrilla

1. Antes de encender el aparato, asegúrese de que haya briquetas de cerámica en el aparato y que las dos rejillas de la parrilla estén instaladas correctamente.

2. Pulse la perilla de ajuste de temperatura y gírela.
  - Los mandos electrónicos de la parrilla permiten ajustar la potencia de LOW a HIGH. Las perillas no tienen ajustes fijos.
  - Las dos resistencias de la parrilla se pueden ajustar por separado, lo que le permite preparar alimentos a dos temperaturas distintas a la vez. También, puede usar una parte para preparar alimentos y la otra parte para mantenerlos calientes.
3. Durante el primer uso, caliente la parrilla durante unos diez minutos para eliminar los residuos y olores de fabricación.
4. Para obtener mejores resultados, deje que las rejillas se calienten antes de cocinar alimentos.

### PRECAUCIÓN

Limpie la parrilla después de cada uso. Deje tiempo suficiente para que el aparato pueda enfriarse antes de limpiarlo.

## Consejos para cocinar a la parrilla

- Siempre precaliente la parrilla. Para cocinar a potencia máxima, precaliente la parrilla a HIGH durante diez minutos. Para cocinar a potencia media, precaliente la parrilla a HIGH durante cinco minutos, luego reduzca la temperatura cuando los alimentos estén sobre la parrilla.
- Remoje los palos de las brochetas en agua durante 20 minutos o más antes de ponerlos sobre la parrilla.
- Antes de cocinar alimentos a la parrilla, los puede untar con aceite resistente al calor (como aceite de cacahuetes) o adobarlos. Tenga cuidado de no usar demasiado aceite o adobo; los alimentos podrían prenderse o generar mucho humo.
- Ponga los alimentos directamente sobre las rejillas de la parrilla. No use papel de aluminio o bandejas.
- La carne curada, como el jamón o las chuletas de cerdo ahumadas, no está hecha para ser cocida a la parrilla y puede generar la formación de compuestos químicos poco saludables.
- Para evitar que los alimentos se prendan, quite el exceso de grasa antes de cocinarlos.
- NO utilice productos de limpieza sobre las resistencias. Si hay grasa sobre las resistencias, deje el fogón encendido para que se queme.
- Para absorber la grasa de las rejillas de la parrilla, eche sal gorda después de cada uso.

## Recomendaciones para cocinar con la parrilla

### IMPORTANTE:

- **NO SE DEBERÍA USAR LA PARRILLA SIN UNA VENTILACIÓN ADECUADA.**
- **No deberían prepararse alimentos muy grasientos sobre una parrilla interior. La cocción de alimentos grasientos (como algunas variedades de carne picada o de salchichas, etc.) aumenta las posibilidades de formación de humo y llamas.**

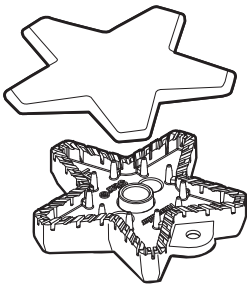
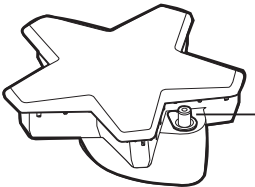
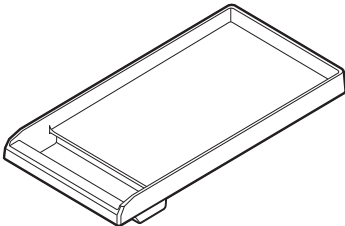
ALIMENTO*	AJUSTE**	TIEMPO DE COCCIÓN (MINUTOS)	NOTAS
<b>BUEY</b>			
Hamburguesas, ¾" (2 cm) (al punto)	HIGH	12 – 14	Dar la vuelta cuando el jugo aparece en la superficie.
Solomillo, 1½" (4 cm) (al punto)	HIGH	20 – 22	Quitar el exceso de grasa.
Solomillo bajo o lomo, 1" (3 cm) (al punto)	HIGH	10 – 12	Quitar el exceso de grasa.
Brochetas de bistec (al punto)	HIGH	24 – 28	Dar la vuelta de vez en cuando.
<b>CERDO</b>			
Chuletas de cerdo, ¾" (2 cm)	HIGH	16 – 20	Quitar el exceso de grasa.
Salchichas o Bratwurst	MED HIGH	16 – 20	Perforar antes de cocinar.
Perritos calientes	HIGH	6 – 8	Colocar horizontalmente sobre la parrilla.
<b>AVES DE CORRAL</b>			
Muslos	MED HIGH	34 – 38	Dar la vuelta de vez en cuando, quitar la piel que sobra.
Alas de pollo, enteras	MED HIGH	18 – 22	Dar la vuelta de vez en cuando.
Pechugas de pollo sin hueso, ½" (1 cm)	MED HIGH	20 – 24	Cortar en filetes del mismo tamaño.
Brochetas, pollo	HIGH	30 – 33	Dar la vuelta de vez en cuando.
<b>MARISCO</b>			
Rodajas de pescado, 2" (6 cm)	MED HIGH	18 – 20	Untar con aceite antes de cocinar.
Fish fillet, ¾" (2 cm)	MED HIGH	16 – 20	Untar con aceite antes de cocinar.
Brochetas de gambas	MED HIGH	10 – 14	Dar la vuelta de vez en cuando.
<b>FRUTA Y VERDURA FRESCA</b>			
Champiñones portobello	HIGH	8 – 10	Untar con aceite antes.
Pimientos, cuartos	HIGH	8 – 10	Dar la vuelta de vez en cuando
Berenjenas, rodajas, ½" (1 cm)	HIGH	8 – 10	Untar con un poco de aceite
Tomates, mitades	HIGH	8 – 10	Untar con aceite
Piña, rodajas	HIGH	4 – 6	—
Melocotones, mitades	HIGH	4 – 6	—
<b>OTRO</b>			
Panecillos de perrito caliente o hamburguesa	MED HIGH	4 – 6	Untar con mantequilla.
Tofu, extra firm, sliced	MED HIGH	8 – 12	Para un cocción fácil, hacer brochetas.
* Para una cocción uniforme, distribuya los alimentos sobre la superficie.			
** Los ajustes utilizados en la tabla deberían considerarse como referencia, ya que la cantidad de calor necesario puede variar según el tipo y las condiciones de los alimentos.			

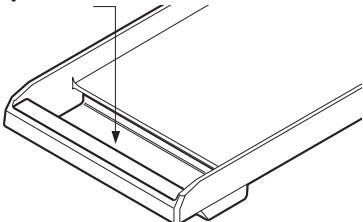
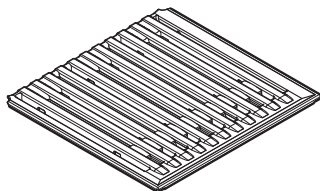
# Limpieza

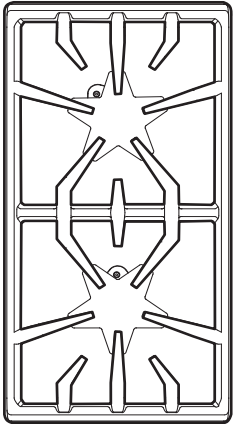
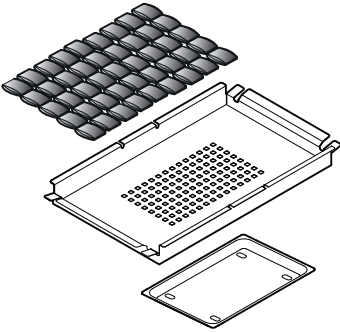
## Nombres de marcas

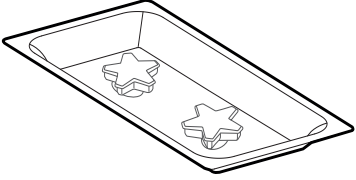
El uso de nombres de marcas sirve únicamente para indicar un tipo de detergente y no constituye ninguna promoción. La omisión de un nombre de marca no implica su aptitud o insuficiencia. Muchos de los productos mencionados se pueden encontrar en los mercados locales. Es imprescindible usar todos los productos rigurosamente conforme a las instrucciones del empaque. La siguiente tabla da indicaciones para limpiar la estufa.

## Recomendaciones de limpieza

PARTE/MATERIAL	NOTAS ACERCA DE LA LIMPIEZA
<b>Base de quemador de latón STAR® y tapa de hierro fundido</b> 	<ul style="list-style-type: none"><li>• Cepillo dental de cerdas de nylon duras para limpiar los orificios.</li><li>• Después de limpiar, comprobar que la tapa de quemador STAR® queda bien colocada sobre la base de quemador STAR.</li><li>• <b>Limpiadores sugeridos;</b> enjuagar y secar bien<ul style="list-style-type: none"><li>-- Agua caliente y detergente</li><li>-- Bon-ami®</li><li>-- Cameo® Aluminum and Stainless Steel Cleaner</li><li>-- Wright's® All Purpose Brass Polish</li><li>-- Kleen King®</li></ul></li></ul>
<b>Generadores de chispas</b> Cerámica 	<ul style="list-style-type: none"><li>• <b>NO</b> utilice utensilios afilados para raspar los generadores de chispas. Son frágiles. Si se daña un generador de chispas, no podrá encender el quemador STAR®.</li><li>• <b>Limpiadores sugeridos:</b><ul style="list-style-type: none"><li>-- Utilice un hisopo de algodón humedecido con agua</li><li>-- Fantastik®</li></ul></li></ul>
<b>Perillas de control / Metal Engastes / Cromado</b> <b>Rejillas Full Access® / Cromado</b>	<ul style="list-style-type: none"><li>• <b>NO</b> sumergir las perillas.</li><li>• <b>NO</b> colocar las perillas en el eje de válvula erróneo.</li><li>• <b>Limpiadores sugeridos;</b> enjuagar y secar bien<ul style="list-style-type: none"><li>-- Utilice un hisopo de algodón humedecido con agua</li></ul></li></ul>
<b>Plancha</b> Aluminio con revestimiento antiadherente 	<ul style="list-style-type: none"><li>• No vierta <b>NUNCA</b> agua fría sobre una plancha caliente. Podría deformarse o agrietarse.</li><li>• <b>NO</b> limpie ninguna parte de la parrilla o la plancha en un horno con autolimpieza.</li><li>• Limpie la superficie de la plancha con agua caliente jabonosa y enjuáguela con agua caliente. Séquela con un paño suave.</li><li>• Si se adhieren partículas de comida en la placa de la plancha, elimínelas con un limpiador abrasivo suave como Soft Scrub®.</li><li>• <b>Limpiadores sugeridos;</b> enjuagar y secar bien:<ul style="list-style-type: none"><li>-- Utilice un hisopo de algodón humedecido con agua</li><li>-- Póngala en el lavavajillas</li><li>-- Soft Scrub®</li></ul></li></ul>

PARTE/MATERIAL	NOTAS ACERCA DE LA LIMPIEZA
<p><b>Bandeja de grasa de la plancha</b></p> 	<ul style="list-style-type: none"> <li>• Extraiga la bandeja cuando se haya enfriado la grasa. Procure que no se llene tanto que al ladearla para extraerla se vierta la grasa.</li> <li>• Limpie la bandeja para grasa después de cada uso.</li> <li>• <b>Limpiadores sugeridos;</b> enjuagar y secar bien: <ul style="list-style-type: none"> <li>-- Utilice un hisopo de algodón humedecido con agua</li> <li>-- Póngala en el lavavajillas</li> <li>-- Soft Scrub®</li> </ul> </li> </ul>
<p><b>Rejillas de la parrilla</b></p> <p>Esmalte de porcelana en hierro fundido</p> 	<ul style="list-style-type: none"> <li>• Limpie las rejillas después de cada uso.</li> <li>• Coloque la rejilla de la parrilla en el fregadero y eche agua hirviendo sobre la rejilla. Coloque un trapo de cocina sobre ella y eche más agua sobre el trapo. Deje que los residuos se remojen. Rasque todos los residuos con un estropajo jabonoso.</li> <li>• <b>Manchas difíciles;</b> Soft Scrub®.</li> <li>• <b>Limpiadores sugeridos;</b> enjuagar y secar bien: <ul style="list-style-type: none"> <li>-- Utilice un hisopo de algodón humedecido con agua</li> <li>-- Póngala en el lavavajillas</li> <li>-- Soft Scrub®</li> <li>-- Cepillo con hilos de latón suaves para las manchas tenaces. Los cepillos de alambres rígidos pueden arañar el revestimiento de porcelana de las rejillas y provocar que se oxiden antes de tiempo.</li> </ul> </li> <li>• <b>Manchas difíciles;</b> enjuagar y secar bien: <ul style="list-style-type: none"> <li>-- Estropajo de lana de acero enjabonado</li> <li>-- Lestoil®</li> <li>-- Otro desengrasante</li> </ul> </li> </ul>
<p><b>Acabado exterior / Protección trasera</b></p> <p>Acero inoxidable</p>	<ul style="list-style-type: none"> <li>• El acero inoxidable es resistente a la mayoría de manchas y marcas de comida, siempre que se mantenga la superficie limpia y protegida.</li> <li>• Frótelo ligeramente en la dirección de las líneas de pulido.</li> <li>• El cloro y los compuestos clorados de algunos limpiadores son corrosivos para el acero inoxidable. Compruebe los ingredientes en la etiqueta.</li> <li>• <b>Limpiadores sugeridos;</b> enjuagar y secar bien: <ul style="list-style-type: none"> <li>-- Agua caliente y detergente</li> <li>-- Fantastik®</li> <li>-- Siege® Stainless Steel and Aluminum Cleaner</li> <li>-- Kleen King® Stainless Steel Liquid Cleaner</li> <li>-- Lustrador: Stainless Steel Magic® para proteger el acabado contra las manchas y marcas; mejora el aspecto.</li> <li>-- THERMADOR Stainless Steel Conditioner (0057669)</li> <li>-- Manchas de agua difíciles: vinagre doméstico.</li> </ul> </li> <li>• <b>Decoloración por calor;</b> enjuagar y secar bien: <ul style="list-style-type: none"> <li>-- Cameo®</li> <li>-- Barkeepers Friend®</li> <li>-- Zud®</li> <li>-- Wright's® All Purpose Brass Polish</li> </ul> </li> </ul>

PARTE/MATERIAL	NOTAS ACERCA DE LA LIMPIEZA
<p><b>Rejillas</b> Esmalte de porcelana en hierro fundido</p> 	<ul style="list-style-type: none"> <li>• Las parrillas son pesadas; levántelas con cuidado. Colóquelas sobre una superficie protegida.</li> <li>• A veces, la textura áspera de las rejillas puede arrancar virutas de aluminio de la parte inferior de las sartenes y rellenar los espacios entre las ranuras elevadas de la superficie de las rejillas. Ponga especial atención cuando cocine con sartenes y ollas de latón y de aluminio, ya que esos tipos de utensilios suelen dejar depósitos de metal sobre las rejillas.</li> <li>• Las ampollas, grietas y descascarados son comunes debido a las temperaturas extremas en las garras de la parrilla y los súbitos cambios de temperatura.</li> <li>• Los productos muy ácidos o con mucha azúcar derramados deterioran el esmalte. Elimine los restos inmediatamente.</li> <li>• Los limpiadores abrasivos pueden deteriorar el esmalte si se utilizan con demasiada frecuencia o vigor.</li> <li>• <b>Limpiadores sugeridos;</b> enjuagar y secar bien: <ul style="list-style-type: none"> <li>-- Agua caliente y detergente</li> <li>-- Bar Keeper's Friend<sup>®</sup></li> <li>-- Fantastik<sup>®</sup></li> <li>-- Bon-ami<sup>®</sup></li> <li>-- Soft Scrub<sup>®</sup></li> </ul> </li> <li>• <b>Manchas difíciles;</b> enjuagar y secar bien: <ul style="list-style-type: none"> <li>-- Estropajo de lana de acero enjabonado</li> <li>-- Lestoil<sup>®</sup></li> <li>-- Otro desengrasante</li> </ul> </li> <li>• <b>Depósitos de metal:</b> <ul style="list-style-type: none"> <li>-- Estropajo de restregar Scotch Brite<sup>®</sup></li> <li>-- Estropajo de acero</li> </ul> </li> </ul>
<p><b>Briquetas de cerámica, Cesta de briquetas de cerámica, y Bandeja para la grasa de la parrilla</b></p> 	<ul style="list-style-type: none"> <li>• <b>Sugerencia de limpieza para las briquetas de cerámica;</b> <ol style="list-style-type: none"> <li>1) Coloque cuidadosamente las briquetas de cerámica saturadas de grasa en un recipiente grande de seis litros o más.</li> <li>2) Rellene el recipiente con agua limpia para que las briquetas estén cubiertas por al menos media pulgada de agua.</li> <li>3) Lleve el agua a ebullición y déjela hervir durante 10 minutos.</li> <li>4) Apague el fuego y deje que el agua se enfríe hasta una temperatura segura.</li> <li>5) Tire el agua y seque las briquetas con un trapo viejo o servilletas de papel.</li> <li>6) Deje que las briquetas se sequen al aire ambiente durante un mínimo de dos horas. Es posible que las briquetas tengan manchas de grasa permanentes después de la limpieza.</li> <li>7) Vuelva a colocar las briquetas limpias y secas en la parrilla antes de volver a utilizarla.</li> </ol> </li> <li>• Puede comprar nuevas briquetas de cerámica en la tienda electrónica de THERMADOR (número de pieza: <i>PABRICKBKN</i>). Consulte el dorso para obtener más información sobre el soporte técnico.</li> <li>▲ <b>PRECAUCIÓN:</b> <ul style="list-style-type: none"> <li>-- Se deben sustituir las briquetas de cerámica cuando estén negras, lo que significa que están saturadas de grasa y pueden producir mucho humo o incluso prenderse.</li> </ul> </li> <li>• <b>Detergentes recomendados para la cesta y la bandeja de grasa;</b> enjuagar y secar bien: <ul style="list-style-type: none"> <li>-- Agua caliente y detergente</li> <li>-- Bar Keeper's Friend<sup>®</sup></li> <li>-- Póngala en el lavavajillas</li> </ul> </li> </ul>

PARTE/MATERIAL	NOTAS ACERCA DE LA LIMPIEZA
<p><b>Bandejas de protección de la superficie</b></p> <p>Esmalte de porcelana (acabado brillante)</p> 	<ul style="list-style-type: none"> <li>• Si se usan limpiadores como Bar Keeper's Friend<sup>®</sup>, Bon-ami<sup>®</sup>, Comet<sup>®</sup> o Ajax<sup>®</sup>, frote suavemente, ya que estos limpiadores pueden rayar el acabado.</li> <li>• Para comidas quemadas, pueden usarse estropajos enjabonados o de lana de acero. Hay que tener cuidado, ya que pueden rayar el acabado.</li> <li>• <b>Limpiadores sugeridos;</b> enjuagar y secar bien: <ul style="list-style-type: none"> <li>-- Agua caliente y detergente</li> <li>-- Soft Scrub<sup>®</sup></li> <li>-- Bar Keeper's Friend<sup>®</sup></li> <li>-- Bon-ami<sup>®</sup></li> <li>-- Comet<sup>®</sup></li> <li>-- Ajax<sup>®</sup></li> </ul> </li> <li>• <b>Manchas difíciles;</b> enjuagar y secar bien: <ul style="list-style-type: none"> <li>-- Estropajo de lana de acero enjabonado</li> </ul> </li> </ul>



# Antes de solicitar servicio

Antes de solicitar servicio, compruebe lo siguiente para evitar cargos innecesarios de servicio.

## Asegúrese de comprobar primero estos puntos:

- ¿Hay un apagón en el área?
- ¿Se quemó un fusible en la casa o se activó el disyuntor?
- ¿Está conectada la placa de cocción a la alimentación eléctrica?

## Cuando no se prenden los quemadores

- ¿Las tapas de los quemadores están bien alineados y asentados en sus bases?
- ¿Están tapados los puertos de los quemadores?
- ¿Se quemó un fusible en la casa o se activó el disyuntor?
- ¿Está cerrada la válvula de cierre del gas, impidiendo el suministro de gas?

## Placa de señalización

La placa de señalización, que indica el número de modelo y el número de serie de su placa de cocción, se encuentra en la parte inferior del armazón, cerca de la parte delantera de la placa de cocción.

Esa información es necesaria si se requiere ayuda técnica en atención al cliente. Antes de la instalación, escriba en los espacios apropiados de esta página el número de modelo y el número de serie. Es difícil tener acceso a esta información una vez el aparato ha sido instalado.

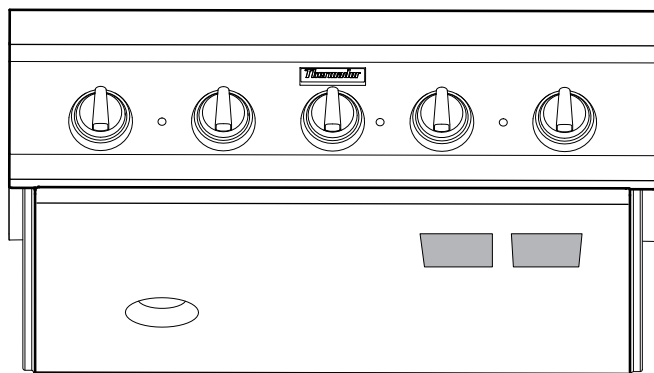


Figura 19: Ubicación de la placa de señalización

## ⚠ PRECAUCIÓN

Antes de quitar el rodapié, desenchufe la estufa. Reinstale el rodapié antes de conectar de nuevo el aparato a la fuente de alimentación eléctrica y usar la estufa.

## Información para el servicio técnico

Para una consulta útil, anote aquí abajo la información de la placa de señalización. Conserve su factura para que su garantía sea válida.

Número de modelo \_\_\_\_\_

Número de serie \_\_\_\_\_

Fecha de compra \_\_\_\_\_

Además, anote esta información en el formulario de registro del producto que se incluye con esta estufa.

Registre su producto BSH para asegurarse de recibir un servicio oportuno y de tener acceso a la información relativa a su producto. Puede registrar su producto de las siguientes formas:

1. Enviando por correo la carta de registro del producto THERMADOR.
2. Registrando su producto en línea [www.thermador.com](http://www.thermador.com).
3. Llamando al teléfono de atención al cliente de THERMADOR 1-800-735-4328.

## Resolución de problemas

SÍNTOMA	CAUSA POSIBLE	REMEDIO
Chispas intermitentes	<ul style="list-style-type: none"> <li>Encendedor sucio o húmedo.</li> <li>Puertos del quemador tapados.</li> </ul>	<ul style="list-style-type: none"> <li>Secar o limpiar bien el encendedor.</li> <li>Limpiar puertos de la tapa del quemador con un alambre, una aguja o un clip enderezado.</li> </ul>
Más de cuatro chasquidos del encendedor antes de prender	<ul style="list-style-type: none"> <li>La tapa del quemador no cabe en la base del quemador.</li> </ul>	<ul style="list-style-type: none"> <li>Alinear la tapa del quemador sobre la base del quemador.</li> </ul>
Chispas constantes	<ul style="list-style-type: none"> <li>La toma de tierra de la estufa está mal hecha.</li> <li>Alimentación eléctrica está mal polarizada.</li> </ul>	<ul style="list-style-type: none"> <li>Consultar instrucciones de instalación. Contratar a un eléctrico cualificado para realizar la toma de tierra.</li> </ul>
Los encendedores producen chispas, pero no se encienden las llamas.	<ul style="list-style-type: none"> <li>La válvula del suministro de gas está en la posición "OFF".</li> </ul>	<ul style="list-style-type: none"> <li>Abra la válvula de suministro de gas del aparato.</li> </ul>
Las luces y los quemadores no se encienden	<ul style="list-style-type: none"> <li>No hay alimentación eléctrica.</li> </ul>	<ul style="list-style-type: none"> <li>Asegúrese de que el automático esté en la posición adecuada.</li> <li>Asegúrese de que el voltaje de la línea de alimentación eléctrica sea el adecuado.</li> </ul>
Los alimentos no cuecen lo suficiente en la hornilla.	<ul style="list-style-type: none"> <li>El plato utilizado no es adecuado.</li> <li>El aparato no está nivelado.</li> </ul>	<ul style="list-style-type: none"> <li>Consulte la sección "Recomendaciones para los utensilios de cocina" en el Manual de uso y cuidado.</li> <li>Consulte el Manual de instalación para obtener instrucciones de nivelación del aparato.</li> </ul>

# Declaración de Garantía Limitada del Producto

## Cobertura de esta garantía y a quiénes se aplica

La garantía limitada otorgada por BSH Home Appliances Corporation (BSH) en esta Declaración de Garantía Limitada del Producto se aplica únicamente al electrodoméstico THERMADOR® vendido a usted, el primer comprador usuario, siempre que el Producto haya sido Comprado:

- Para uso doméstico (no comercial) normal y que haya sido utilizado en todo momento únicamente para fines domésticos normales.
- Nuevo en una tienda minorista (que no sea un producto de exhibición, ni un producto vendido "en las condiciones en que se encuentra" ni un modelo devuelto anteriormente) y no esté destinado para reventa ni uso comercial.
- Dentro de los Estados Unidos o Canadá, y permanezca en todo momento dentro del país de compra original.

Las garantías incluidas en el presente se aplican únicamente al primer comprador del Producto y no son transferibles.

Asegúrese de devolver su tarjeta de registro; si bien no es necesario para hacer efectiva la cobertura de la garantía, es la mejor manera para que BSH le notifique en el caso poco probable de que se emita un aviso de seguridad o se retire del mercado un producto.

## Duración de la garantía

**Producto fabricado después del 1 de enero de 2012 cuyo número es igual o superior a FD920100000:** BSH garantiza que el producto está exento de defectos de materiales y mano de obra por un período de (365) días desde la fecha de compra. El período mencionado precedentemente empieza a contarse en la fecha de compra y no se interrumpe, demora, amplía ni suspende por ninguna razón.

**Producto fabricado después del 1 de enero de 2012 cuyo número es igual o superior a FD920100000:** BSH garantiza que el producto está exento de defectos de materiales y mano de obra por un período de setecientos treinta (730) días desde la fecha de compra. El período mencionado precedentemente empieza a contarse en la fecha de compra y no se interrumpe, demora, amplía ni suspende por ninguna razón.

También se garantiza que este Producto no presenta defectos estéticos en el material ni en la mano de obra (como rayas en el acero inoxidable, imperfecciones en la pintura/porcelana, astillas, abolladuras ni ningún otro daño

en el acabado del Producto) durante un período de treinta (30) días desde la fecha de compra o fecha de cierre para una nueva construcción. Se excluyen de esta garantía por defectos estéticos las variaciones leves de color que se deban a diferencias inherentes a las piezas pintadas y de porcelana, así como diferencias provocadas por la iluminación de la cocina, la ubicación del producto u otros factores similares. Se excluye específicamente de esta garantía por defectos estéticos cualquier electrodoméstico en exposición, de piso, vendido "en el estado en que se encuentra" o de segunda selección.

## Reparación / reemplazo como único recurso

Durante el período de esta garantía, BSH o uno de sus proveedores de servicio técnico autorizados reparará su Producto sin cargo para usted (con sujeción a determinadas limitaciones especificadas en el presente documento) si se prueba que su Producto ha sido fabricado con un defecto en los materiales o en la mano de obra. Si se ha intentado de manera razonable reparar el Producto sin éxito, BSH reemplazará su Producto (es posible que usted tenga disponibles modelos mejorados, a entera discreción de BSH, con un cargo adicional). Todas las piezas y los componentes extraídos serán propiedad de BSH, a su entera discreción. Todas las piezas reemplazadas o reparadas se considerarán como la pieza original a los fines de esta garantía, y esta garantía no será extensible a dichas piezas. En virtud del presente documento, la única y exclusiva responsabilidad y obligación de BSH es únicamente reparar el Producto defectuoso de fábrica, a través de un proveedor de servicio técnico autorizado por BSH durante el horario de oficina. Por cuestiones de seguridad y daños materiales, BSH recomienda encarecidamente que no intente reparar el Producto usted mismo ni usar un proveedor de servicio técnico no autorizado; BSH no será responsable ni tendrá obligación alguna sobre las reparaciones o trabajos realizados por un centro de servicio técnico no autorizado. Si usted prefiere que una persona que no sea proveedor de servicio técnico autorizado trabaje en su Producto, **ESTA GARANTÍA SE ANULARÁ AUTOMÁTICAMENTE.** Los proveedores de servicio técnico autorizados son aquellas personas o compañías que han sido especialmente capacitadas para manejar los productos de BSH y que tienen, según el criterio de BSH, una reputación superior de servicio con el cliente y capacidad técnica (debe tener en cuenta que son entidades independientes y no son agentes, socios, afiliados ni representantes de BSH). Sin perjuicio de lo anterior, BSH no tendrá responsabilidad ni obligación alguna sobre el Producto que se encuentre en un área remota (a más de 100 millas de un proveedor de servicio técnico autorizado) o en un lugar, área circundante o entorno que no sea accesible por medios razonables o que sea peligroso, hostil o arriesgado; en cualquier caso, cuando lo solicite, BSH de

todas maneras pagará por la mano de obra y las piezas, y enviará las piezas al proveedor de servicio técnico autorizado más cercano, pero usted seguirá siendo totalmente responsable del tiempo de viaje y demás cargas especiales de la compañía de servicio técnico, suponiendo que acepte hacer la visita de servicio técnico.

## Producto fuera de garantía

BSH no tiene obligación alguna, en virtud de la ley o por otro motivo, de otorgarle ninguna concesión, incluidos reparaciones, prorrates o reemplazo del Producto, con posterioridad al vencimiento de la garantía.

## Exclusiones de la garantía

La cobertura de garantía descrita en el presente documento excluye todos los defectos o daños que no fueron provocados directamente por BSH, incluidos, entre otros, alguno de los siguientes:

- Uso del Producto de maneras distintas del uso normal, habitual y previsto (incluidos, entre otros, cualquier forma de uso comercial, uso o almacenamiento en exteriores de un producto diseñado para interiores, uso del Producto en aeronaves o embarcaciones).
- Conducta indebida, negligencia, uso indebido, abuso, accidentes, descuido, operación inadecuada, omisión de mantenimiento, instalación inadecuada o negligente, adulteración, omisión de seguir las instrucciones de operación, manipulación inadecuada, servicio técnico no autorizado (incluidos "arreglos" o exploración de los mecanismos internos del electrodoméstico realizados por uno mismo) por parte de cualquier persona.
- Ajuste, alteración o modificación de cualquier tipo.
- Incumplimiento de los códigos, reglamentaciones o leyes de electricidad, fontanería o construcciones locales estatales, municipales o de condado, incluida la omisión de instalar el producto cumpliendo estrictamente con los códigos y las reglamentaciones locales de construcción y protección contra incendios.
- Desgaste habitual, derrames de alimentos, líquidos, acumulaciones de grasa u otras sustancias que se acumulen sobre el Producto, dentro o alrededor de este.
- Y cualquier fuerza o factor externo, elemental o ambiental, incluidos, entre otros, lluvia, viento, arena, inundaciones, incendios, aludes de lodo, temperaturas bajas extremas, humedad excesiva o exposición prolongada a la humedad, rayos, sobrecargas eléctricas, fallos estructurales alrededor del electrodoméstico y caso fortuito, circundantes, incluidos los gabinetes, pisos, techos y demás estructuras u objetos que se encuentren alrededor del producto. También se excluyen de esta garantía productos en los que los números de serie hayan sido alterados, modificados o eliminados; visitas del servicio técnico para enseñarle a usar el Producto o visitas en las que se determine que no hay ningún

problema con el Producto; corrección de los problemas de instalación (usted es el único responsable de cualquier estructura y soporte del Producto, incluidas todas las instalaciones de electricidad y fontanería o demás instalaciones de conexión, de la correcta instalación en bases / pisos y de cualquier alteración, incluidos, entre otros, gabinetes, paredes, pisos, repisas, etc.); y el restablecimiento de disyuntores o fusibles.

EN LA MEDIDA PERMITIDA POR LA LEY, ESTA GARANTÍA ESTABLECE SUS RECURSOS EXCLUSIVOS CON RESPECTO AL PRODUCTO, INDEPENDIENTEMENTE DE QUE LA RECLAMACIÓN SEA CONTRACTUAL O EXTRA CONTRACTUAL (INCLUIDA LA RESPONSABILIDAD OBJETIVA O LA NEGLIGENCIA), O DE CUALQUIER OTRO MODO. ESTA GARANTÍA REEMPLAZA TODAS LAS DEMÁS GARANTÍAS EXPRESAS O IMPLÍCITAS. LAS GARANTÍAS IMPLÍCITAS POR LEY, YA SEA DE COMERCIABILIDAD O APTITUD PARA UN FIN ESPECÍFICO, O DE CUALQUIER OTRO TIPO, TENDRÁN VIGENCIA ÚNICAMENTE DURANTE EL PERÍODO DE VIGENCIA DE LA PRESENTE GARANTÍA LIMITADA EXPRESA. EN NINGÚN CASO, EL FABRICANTE SERÁ RESPONSABLE DE LOS DAÑOS CONSECUENTES, ESPECIALES, INCIDENTALES, INDIRECTOS, POR "PÉRDIDAS COMERCIALES" O DAÑOS PUNITIVOS, PÉRDIDAS O GASTOS, INCLUIDOS, ENTRE OTROS, TIEMPO FUERA DEL TRABAJO, HOTELES O COMIDAS EN RESTAURANTES, GASTOS DE REMODELACIÓN QUE SUPEREN LOS DAÑOS DIRECTOS, QUE DEFINITIVAMENTE HAYAN SIDO CAUSADOS DE MANERA EXCLUSIVA POR BSH O DE OTRO MODO. ALGUNOS ESTADOS NO PERMITEN LA EXCLUSIÓN O LIMITACIÓN DE DAÑOS INCIDENTALES O CONSECUENTES, Y ALGUNOS ESTADOS NO PERMITEN LIMITACIONES CON RESPECTO AL PLAZO DE VIGENCIA DE UNA GARANTÍA IMPLÍCITA; POR LO TANTO, ES POSIBLE QUE LAS LIMITACIONES ANTERIORES NO SE APLIQUEN A USTED. ESTA GARANTÍA LE OTORGA DERECHOS LEGALES ESPECÍFICOS, Y TAMBIÉN PUEDEN CORRESPONDERLE OTROS DERECHOS QUE PUEDEN VARIAR SEGÚN EL ESTADO.

Cualquier intento de alterar, modificar o enmendar la presente garantía no tendrá vigencia, a menos que fuera autorizado por escrito por un ejecutivo de BSH.

Nos reservamos el derecho a modificar el producto sin previo aviso.

# THERMADOR® Service/Entretien/Mantenimiento

## Service

We realize that you have made a considerable investment in your kitchen. We are dedicated to supporting you and your appliance so that you have many years of creative cooking.

Please don't hesitate to contact our excellent STAR™ Customer Support Department if you have any questions or in the unlikely event that your THERMADOR® appliance needs service. Our service team is ready to assist you.

### USA:

800-735-4328

[www.thermador.com/support](http://www.thermador.com/support)

### Canada:

800-735-4328

[www.thermador.ca](http://www.thermador.ca)

## Parts & Accessories

Parts, filters, descalers, stainless steel cleaners and more can be purchased in the THERMADOR eShop or by phone.

### USA:

[www.thermador-eshop.com](http://www.thermador-eshop.com)

### Canada:

Marcone 800-287-1627

or

Reliable Parts 800-663-6060

## Entretien

Nous savons bien que vous avez investi une somme considérable dans votre cuisine. Nous nous faisons un devoir de vous soutenir pour que vous puissiez profiter pleinement d'une cuisine où vous pourrez exprimer toute votre créativité de nombreuses années durant.

N'hésitez pas à communiquer avec l'un des membres chevronnés de notre équipe de soutien au client si vous avez des questions ou dans le cas plutôt improbable où votre appareil THERMADOR<sup>MC</sup> aurait besoin d'entretien. Notre équipe sera prête à vous aider.

### É.-U. :

800-735-4328

[www.thermador.com/support](http://www.thermador.com/support)

### Canada :

800-735-4328

[www.thermador.ca](http://www.thermador.ca)

## Pièces et Accessoires

Vous pouvez vous procurer par téléphone ou à notre boutique THERMADOR en ligne des pièces, des filtres, des produits nettoyants pour acier inoxydable et plus encore.

### É.-U. :

[www.thermador-eshop.com](http://www.thermador-eshop.com)

### Canada :

Marcone 800-287-1627

or

Reliable Parts 800-663-6060

## Mantenimiento

Nos damos cuenta que Usted invirtió una suma considerable en su cocina. Nos dedicamos a atenderle para que pueda sacar provecho de una cocina donde podrá expresar toda su creatividad durante muchos años.

Por favor, no dude en ponerse en contacto con uno de nuestros empleados ESTRELLAS™ de atención al cliente si tiene preguntas o en el caso más bien improbable que su aparato THERMADOR® necesite mantenimiento. Nuestro equipo estará listo para ayudarle.

### EEUU:

800-735-4328

[www.thermador.com/support](http://www.thermador.com/support)

### Canadá:

800-735-4328

[www.thermador.ca](http://www.thermador.ca)

## Piezas y Accesorios

Usted puede comprar piezas, filtros, productos de limpieza para acero inoxidable por teléfono o en nuestra tienda THERMADOR en línea.

### EEUU:

[www.thermador-eshop.com](http://www.thermador-eshop.com)

### Canadá:

Marcone 800-287-1627

or

Reliable Parts 800-663-6060

**Thermador** 

**REAL INNOVATIONS FOR REAL COOKS®**

1901 Main Street, Suite 600, Irvine, CA 92614 • 800-735-4328 • [www.thermador.com](http://www.thermador.com)  
9001061951 • Rev. A • 5U06P0 • © BSH Home Appliances Corporation, 03/15