

48" Professional Series Rangetop  
PCG486NL



**PCG486NL Stainless steel**

**INNOVATION**

- Exclusive, patented Star® Burner – most even heating, unsurpassed flame coverage
- QuickClean Base® designed for easy surface cleaning
- Every burner 18,000 BTU (NG)
- Precision simmering capabilities as low as 100°F (375 BTU) with 2 ExtraLow® Simmer burners

**PERFORMANCE**

- Professional style, continuous cast iron grates
- Continuous porcelain, easy to clean cooking surface
- Widest range of simmer options from 375 BTU to 3,000 BTU
- Star® design delivers superior heat spread for any size pan
- Simmer without stirring/scorching with exclusive ExtraLow®
- Fusion coating surface non-stick, non-PTFE, rust-proof cast-aluminum removable griddle
- Grill accessory-thermostatically controlled for even heating
- Superior grilling results, 1630 watt electric grill
- Fusion coating surface non-stick, non-PTFE rust-proof cast-aluminum grill accessory

**DESIGN**

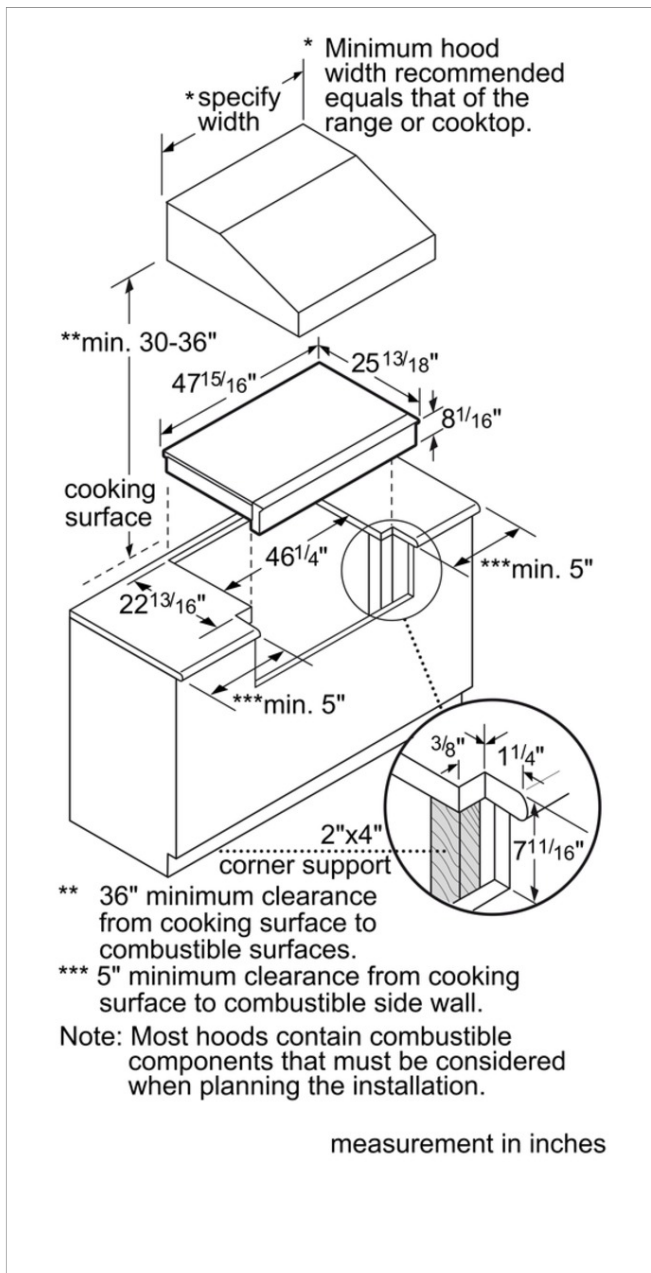
- Bold Professional design
- Patented Pedestal Star® Burner with QuickClean Base®
- Restaurant style metal knobs
- Signature blue indicator lighting
- Island trim shipped standard with rangetop
- Removable griddle and grill accessory for easy clean-up

**Optional accessories**

PA12CHPBLK 12" Professional Chopping Block Acc  
PA12LCVRN 12" Professional Grill Cover Accessory  
PABRICKBKN Bk Briquettes and Basket for Pro Grill  
PAGRIDDLE Professional Griddle Accessory  
PAGRIDDLEN Pro Griddle Accessory for Grill Module  
PAKNOBLUNH Blue Knob Kit Acc Pro-Harm and Cktp

825225908449

# 48" Professional Series Rangetop PCG486NL



## Product Features

Knob Material: Full metal  
Sealed Burners: Yes  
Type of grate: Cast iron  
Natural Gas Connection Rating (BTU): 108000  
LP Gas Connection Rating (BTU): 90000  
: 0.1-5.27  
Power of 1st burner (BTU): 18000  
Power of 2nd heating element (W): 0.1-5.27  
Power of 2nd burner (BTU): 18000  
Power of 3rd burner (BTU): 18000  
Power of 4th heating element (W): 0.62-5.27  
Power of 4th burner (BTU): 18000

## Consumption and connection features

UPC code: 825225908449  
Variant color: Stainless steel  
Energy source: Gas  
Gas type: Natural gas 15 mbar (USA)  
Alternative gas type: Liquid gas 27,5 mbar (USA)  
Watts (W):  
Current (A): 15  
Volts (V): 120  
Frequency (Hz): 60  
Approval certificates: CSA  
Power cord length (in): 96"  
Power cord length (cm): 244  
Plug type: 120V-3 prong  
Required cutout size (HxWxD) (in):  $10\frac{9}{16}$ " x  $46\frac{1}{4}$ " x  $7\frac{11}{16}$ "  
Required cutout size (HxWxD) (mm): 268.3 x 1175 x 195  
Minimum distance from counter front (in):  
Minimum distance from rear wall (in): 12"  
Overall appliance dimensions (HxWxD) (in):  $+10\frac{9}{16}$ " x  $47\frac{15}{16}$ " x  $25\frac{13}{16}$ "  
Overall appliance dimensions (HxWxD) (mm): 268.3 x 1218 x 656  
Product packaging dimensions (HxWxD) (in):  $21\frac{1}{2}$ " x  $52\frac{3}{4}$ " x  $30\frac{3}{4}$ "  
Net weight (lbs): 172  
Net weight (kg): 78.0  
Gross weight (lbs): 191  
Gross weight (kg): 87.0  
Total number of cooktop burners:

2015-04-10