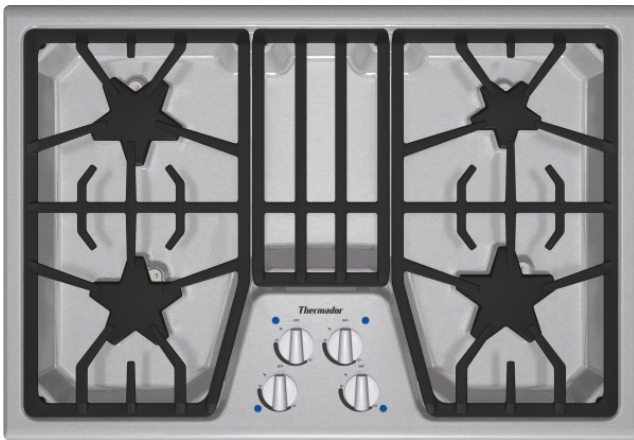


30" Masterpiece® Series Gas Cooktop

SGS304FS



SGS304FS Stainless steel

INNOVATION

- Patented and exclusive Star® Burner provides superior performance
- Unique shape of the Star® Burner offers wider heat coverage resulting in smaller cold spots

PERFORMANCE

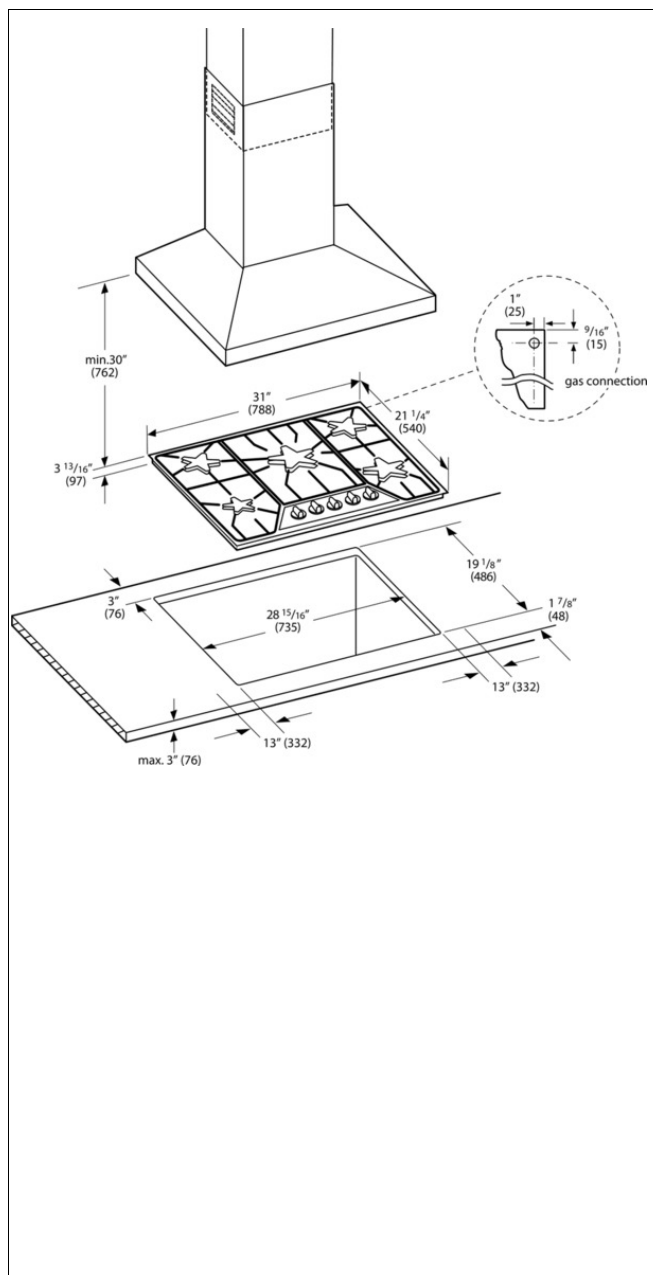
- Powerful 16,000 BTU Burner
- Continuous grates allow pots and pans to glide smoothly across the cooktop
- Automatic electronic re-ignition
- Knobs feature a safety "push to turn" system

DESIGN

- Chiseled, angular design coordinates with the suite of Thermador Masterpiece™ Collection appliances
- High-grade, quality die cast metal knobs

825225853244

30" Masterpiece® Series Gas Cooktop SGS304FS



Product Features

Knob Material: Full metal
 Sealed Burners: Yes
 Type of grate: Cast iron
 Natural Gas Connection Rating (BTU): 44000
 LP Gas Connection Rating (BTU): 39200
 Power of 1st burner (BTU): 10000
 Power of 2nd burner (BTU): 10000
 Power of 3rd burner (BTU): 8000
 Power of 4th burner (BTU): 16000

Consumption and connection features

UPC code: 825225853244
 Variant color: Stainless steel
 Energy source: Gas
 Gas type: Natural gas 15 mbar (USA)
 Alternative gas type: Liquid gas 27,5 mbar (USA)
 Watts (W): 1800
 Current (A): 15
 Volts (V): 120
 Frequency (Hz): 60
 Approval certificates: CSA
 Power cord length (in): 60"
 Power cord length (cm): 152.4
 Plug type: 120V-3 prong
 Required cutout size (HxWxD) (in): 3 13/16" x 28 15/16" x 19 1/8"
 Required cutout size (HxWxD) (mm): 96.8 x 735 x 486
 Minimum distance from counter front (in): 1 7/8"
 Minimum distance from rear wall (in): 3"
 Overall appliance dimensions (HxWxD) (in): +3 13/16" x 31" x 21 1/4"
 Overall appliance dimensions (HxWxD) (mm): 96.8 x 787 x 546
 Product packaging dimensions (HxWxD) (in): 8 3/8" x 37 1/8" x 24 3/4"
 Net weight (lbs): 37
 Net weight (kg): 17.000
 Gross weight (lbs): 45
 Gross weight (kg): 20.000
 Total number of cooktop burners:

2013-07-12