

VCIB54JP

54-INCH CUSTOM INSERT WITH BLOWER

PROFESSIONAL SERIES



48-inch model VCIB48JP shown



FEATURES & BENEFITS

- A unique all in one box solution that includes the hood, a 1,000 CFM blower, liner, baffle filters, lights, transition and a back-draft damper
- Suitable for wall or island applications
- Three fan speeds with a delayed shut-off that tackles lingering odors for up to 10 minutes
- Auto function senses heat from the cooking surface and adjusts fan speeds
- Built-in 'clean filter' reminder light illuminates after 40 hours of operation

ACCESSORIES (OPTIONAL)

| | |
|----------------------|-----------|
| Remote Control Panel | VCI2REMKS |
|----------------------|-----------|



Remote Control Panel

GENERAL PROPERTIES

| | |
|------------------------------|--|
| Operating Mode | Ducted |
| Number of Speed Settings | 3-Stage |
| Motor Location | Integrated Motor In Hood Body |
| Number of Lights | 4 |
| Bulb Type | Halogen |
| Total Power of the Lamps (W) | 40 W |
| Damper Included | Yes |
| Grease Filter Material | Washable Stainless Steel |
| Grease Filter Type | Stainless-Steel Commercial Style Baffle Filter |

TECHNICAL DETAILS

| | |
|----------------------------------|-----------------------------|
| Watts (W) | 1,020 W |
| Current (A) | 15 A |
| Volts (V) | 120 V |
| Frequency (Hz) | 60 Hz |
| Plug Type | Fixed Connection |
| Power Cord / Conduit Length (in) | Direct Wire at Junction Box |

DIMENSIONS & WEIGHT

| | |
|--|------------------------------|
| Overall Appliance Dimensions (Width of Canopy Included) (HxWxD) (in) | 14 5/16" x 58 1/2" x 24 3/4" |
| Required Distance Above Cooktop/Range Cooking Surface | 30" Electric / 30" Gas |
| Diameter of Air Duct (in.) Top | 10" |
| Net Weight (lbs) | 109 lbs |

BLOWER OPTIONS

| | |
|--|-----|
| Remote Blowers (Mounted to Roof or External Wall) | N/A |
| | N/A |
| | N/A |
| Inline Blowers (Mounted Between Kitchen and External Wall) | N/A |
| | N/A |
| Integrated Blower (Mounted in Hood) | N/A |

WARRANTY

| | |
|----------------------------------|--------|
| Limited Warranty Parts and Labor | 2 Year |
|----------------------------------|--------|

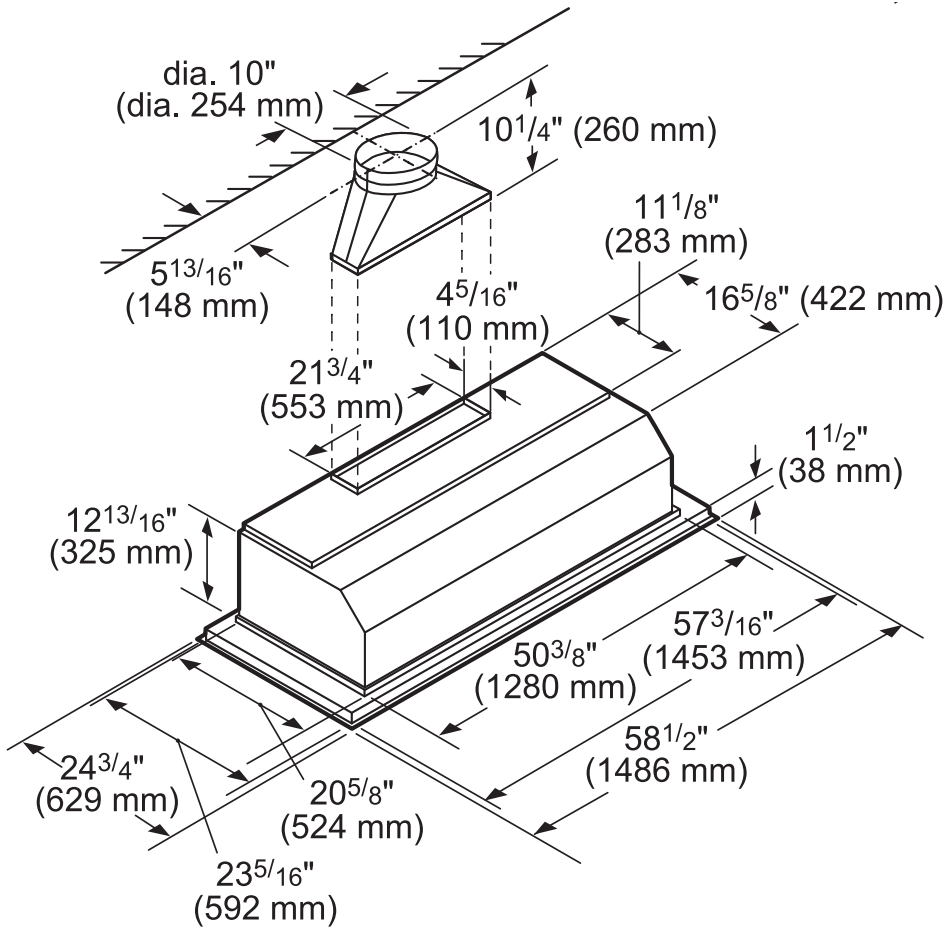
VCIB54JP

54-INCH CUSTOM INSERT WITH BLOWER

PROFESSIONAL SERIES



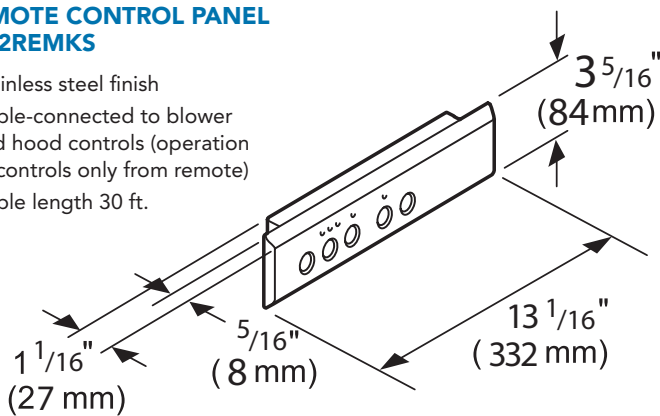
HOOD DIMENSIONS



OPTIONAL ACCESSORIES

REMOTE CONTROL PANEL VC12REMKS

- Stainless steel finish
- Cable-connected to blower and hood controls (operation of controls only from remote)
- Cable length 30 ft.



measurements in inches and mm

VCIB54JP

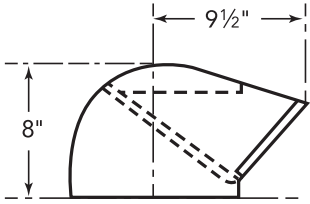
54-INCH CUSTOM INSERT WITH BLOWER

PROFESSIONAL SERIES

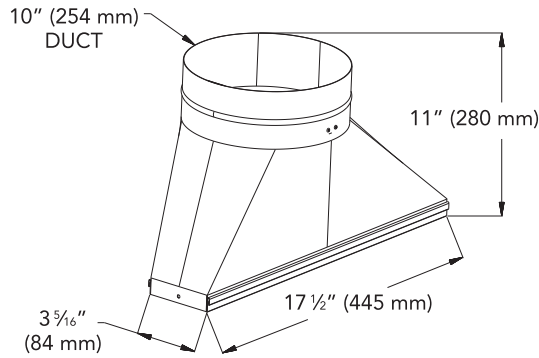


ROOF JACK & TRANSITION

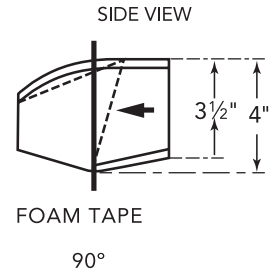
ROOF JACK-RJ310



TRANSITION

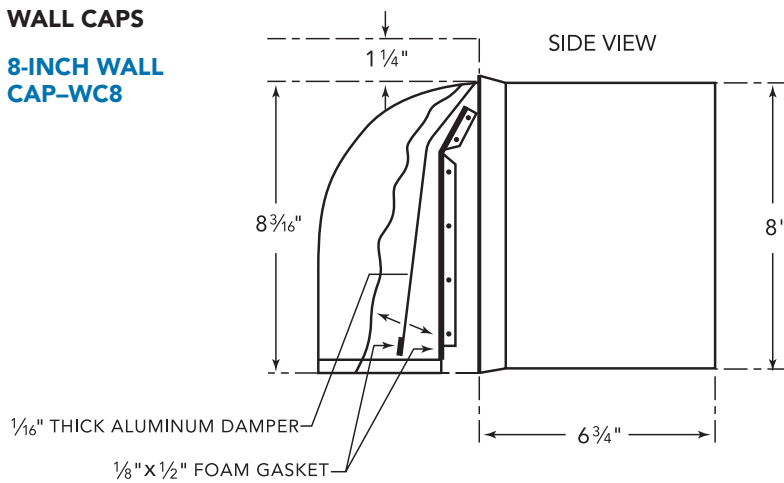


WALL CAP-WC310

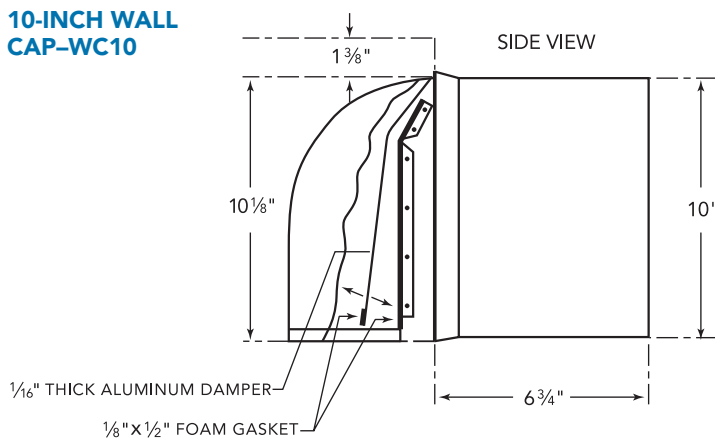


WALL CAPS

8-INCH WALL CAP-WC8



10-INCH WALL CAP-WC10



These warranties give you specific legal rights and you may have other rights that vary from state to state. Full warranty and limited warranty from date of installation. For complete warranty details, refer to your Use & Care manual, or ask your dealer.

Specifications are for planning purposes only. Refer to installation instructions and consult your countertop supplier prior to making counter opening. Consult with a heating and ventilation engineer for your specific ventilation requirements. For the most detailed information, refer to installation instructions accompanying product or write to Thermador indicating the model number. Specifications are correct at time of printing. Thermador reserves the right to change product specifications or design without notice. Some models are certified for use in Canada. Thermador is not responsible for products that are transported from the U.S. for use in Canada.