

48" Professional Series Pro Grand Commercial Depth Dual Fuel Range

PRD486JDGC



PRD486JDGC Stainless steel

INNOVATION

- Patented Pedestal Star® Burner with QuickClean Base® designed for easy surface cleaning and superior heat spread for any size pan
- Powerful 22,000 BTU (NG) burner (front right)
- Precision simmering capabilities as low as 100°F (375 BTU) with 4 ExtraLow® Simmer burners
- SoftClose® hinges for ultra smooth closing of the oven door
- Cleans both ovens simultaneously in just 2 hours

PERFORMANCE

- 18,000 BTU (NG) Star® Burners
- Titanium surface non-stick, rust-proof cast-aluminum griddle and grill, removable for easy clean-up
- Electronic oven display interfaces to cook timer, CookControl™ meat probe and preheat status with audible alert
- Full featured small oven with convection, broil, self clean and CookControl™ meat probe
- Powerful, 8-pass bake and broil elements in large oven and 6-pass elements in small oven
- Third Element Convection offers precise airflow for cooking on multiple levels without flavor transfer
- Large oven 5.7 cu.ft.-accommodates commercial sheet pan plus 2.5 cu.ft. in small oven
- Full Access® telescopic racks, integrated easy-grip handle
- Six rack levels in each oven for multiple item cooking
- Star-K Kosher certified

DESIGN

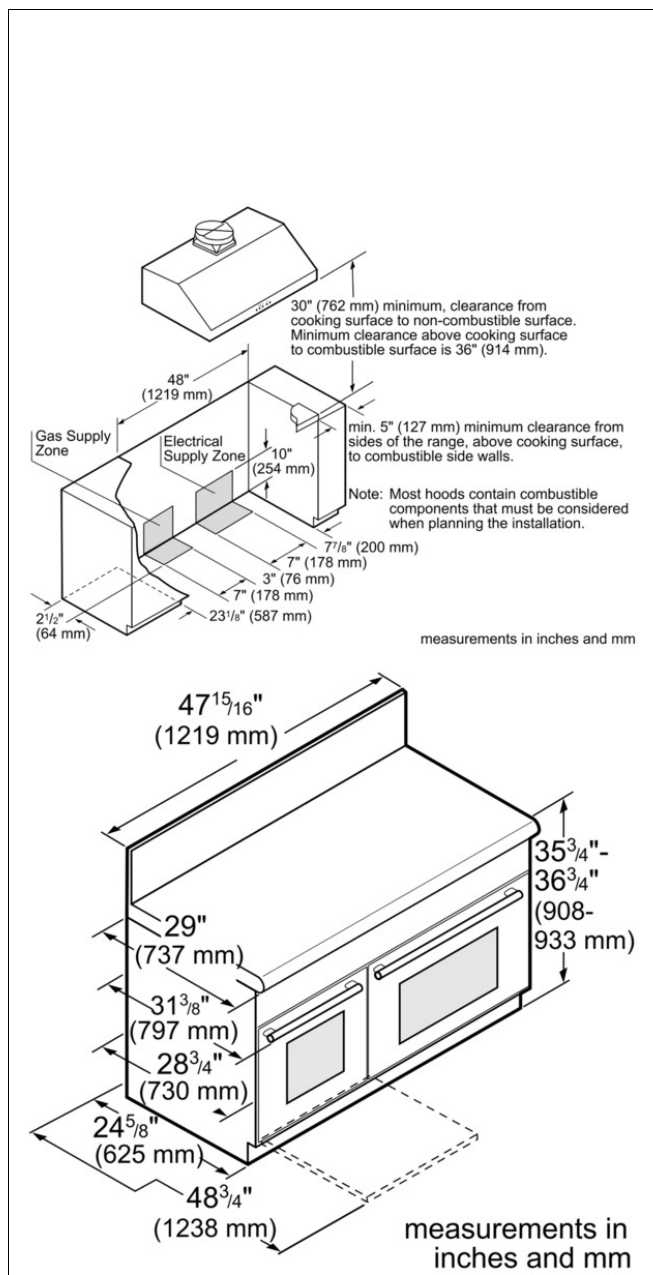
- Bold Professional design
- Pinhole and panel lighting concepts provide functional and stylish aesthetics
- Restaurant style metal knobs
- Professional style, continuous cast iron grates
- Continuous porcelain, easy to clean cooking surface
- Hidden bake element makes clean-up one smooth surface
- Large oven door window for maximum viewing
- Powerful halogen lighting illuminates the oven cavity
- Signature blue indicator lighting

Optional accessories

PA12CVRJ 12" Professional Griddle Cover Accessory

48" Professional Series Pro Grand Commercial Depth Dual Fuel Range

PRD486JDGC



Product Features

Construction type: Freestanding
 Product color: Stainless steel
 Power cord length (cm): 137.0
 Net weight (kg): 226.000
 Gross weight (kg): 250.000

Consumption and connection features

Energy consumption conventional (kWh) - cavity 1:
 Energy consumption forced air convection (kWh) - cavity 1:
 Watts (W): 40580
 Current (A): 50
 Volts (V): 240/208
 Frequency (Hz): 60
 Plug type: 240V-4 prong

2013-07-12