

36" Professional Series Pro Grand Commercial Depth Liquid Propane Range
PRL364NLG



PRL364NLG Stainless steel

INNOVATION

- Patented Pedestal Star® Burner with QuickClean Base® designed for easy surface cleaning and superior heat spread for any size pan
- Powerful 18,000 BTU (LP) burner (front right)
- Precision simmering capabilities as low as 100°F (375 BTU) with 4 ExtraLow® Simmer burners
- SoftClose® hinges for ultra smooth closing of the oven door
- Superfast 2-hour self-clean mode - fastest in the industry

PERFORMANCE

- 15,000 BTU (LP) Star® Burners
- Superior grilling results, 1630 watt electric grill
- Electronic oven display interfaces to cook timer, CookControl™ meat probe and preheat status with audible alert
- Powerful, 25,000 BTU bake and 17,000 BTU broil burners
- Convection Bake offers precise multi-level baking results
- Large oven 5.5 cu.ft.-accommodates commercial sheet pan
- Full Access® telescopic rack, with integrated easy-grip handle
- Six rack levels for multiple item cooking
- Star-K Kosher certified

DESIGN

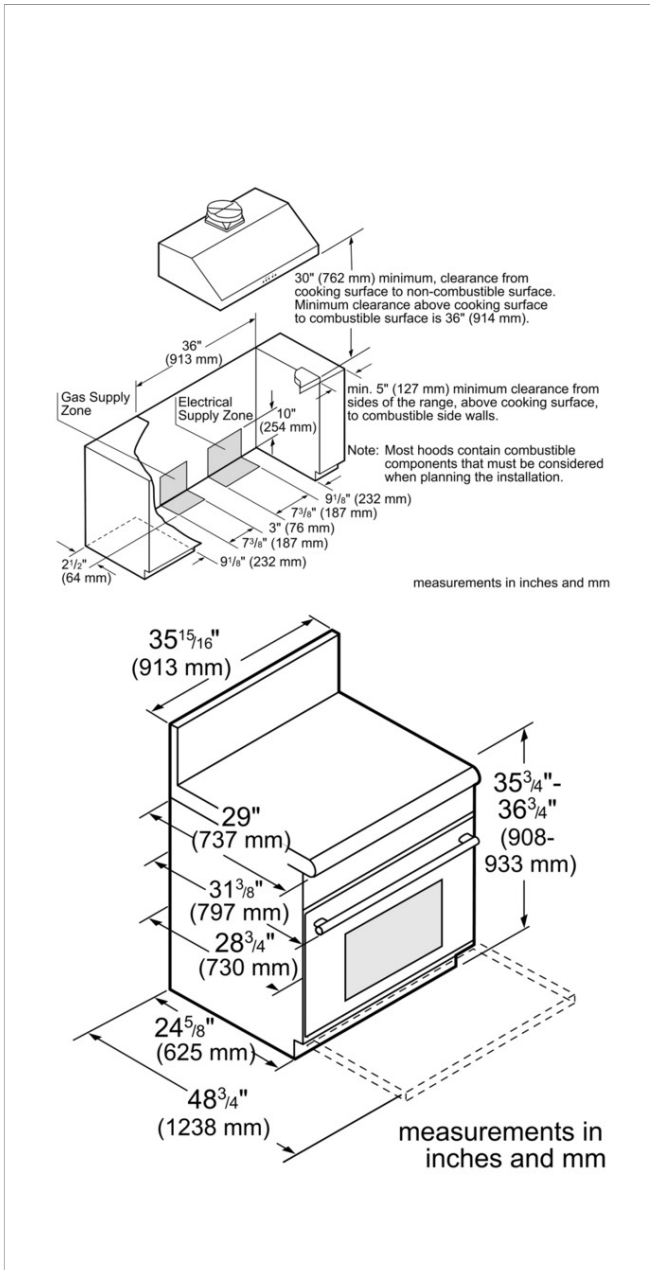
- Bold Professional design
- Pinhole and panel lighting concepts provide functional and stylish aesthetics
- Restaurant style metal knobs
- Professional style, continuous cast iron grates
- Continuous porcelain, easy to clean cooking surface
- Large oven door window for maximum viewing
- Powerful halogen lighting illuminates the oven cavity
- Signature blue indicator lighting

Optional accessories

PA12CHPBLK 12" Professional Chopping Block Acc
PA12LCVRN 12" Professional Grill Cover Accessory
PA36JHSG 36" High Shelf for Pro Grand Ranges
PA36JLBG 36" Low Backguard for Pro Grand Ranges
PA36JTKG 36" Toe Kick for Pro Grand Ranges
PABRICKBKN Bk Briquettes and Basket for Pro Grill
PAGRIDDLE Professional Griddle Accessory
PAGRIDDLEN Pro Griddle Accessory for Grill Module
PAKNOBLUNG Blue Knob Kit for Pro Grand Ranges

825225908661

36" Professional Series Pro Grand Commercial Depth Liquid Propane Range PRL364NLG



Product Features

- Construction type: Freestanding
- Product color: Stainless steel
- Power cord length (cm): 168
- Net weight (kg): 171.0
- Gross weight (kg): 190.0

Consumption and connection features

- Energy consumption conventional (kWh) - cavity 1:
- Energy consumption forced air convection (kWh) - cavity 1:
- Watts (W): 2480
- Current (A): 20
- Volts (V): 120
- Frequency (Hz): 60
- Plug type: 120V-3 prong

2015-04-10