

HPCN48NS

48-INCH CHIMNEY WALL HOOD

PROFESSIONAL SERIES



FEATURES & BENEFITS

- Three fan speeds
- Powerfully Quiet ventilation systems
- Dimmer lighting – for a soft lighting effect
- Commercial-Style Stainless Steel Baffle Filter
- Dishwasher safe grease collection trays are easily removed

ACCESSORIES (OPTIONAL)

25 ft. Blower Connector Cable - EXTNCB25

For use with the following Inline and Remote Blowers:
VTR630D, VTR1030D, VTR1330E, VTI610D, VTI1010D

Roofplates

RFPLT600 - For use with 600 CFM Remote Blower VTR630D

RFPLT1000 - For use with 1000 CFM Remote Blower VTR1030D and VTR1330E

48" W Keep-Hot Shelf	KHS48QS
6" High Duct Cover	CHMHP486N
12" High Duct Cover	CHMHP4812N
18" - 35" High Duct Cover	CHMHP48TSN
48" W Stainless Steel Backsplash	PA48JBS

GENERAL PROPERTIES

Operating Mode	Ducted
Maximum CFM	Blower Sold Separately
Sones	N/A
Number of Speed Settings	3-Stage
Motor Location	Blower Sold Separately
Number of Lights	4
Bulb Type	Halogen
Total Power of the Lamps (W)	40 W
Damper Included	Yes
Grease Filter Material	Washable Stainless Steel
Grease Filter Type	Commercial-Style Stainless Steel Baffle Filter

TECHNICAL DETAILS

Watts (W)	N/A
Current (A)	15 A
Volts (V)	120 V
Frequency (Hz)	60 Hz
Plug Type	Fixed Connection, No Plug
Conduit Length	N/A

DIMENSIONS & WEIGHT

Overall Appliance Dimensions (Width of Canopy Included) (HxWxD) (in)	18" x 47 15/16" x 24"
Height of The Chimney (in)	Duct Covers Sold Separately
Required Distance Above Cooktop / Range Cooking Surface	30" / 30"
Diameter of Air Duct (in) Top	10"
Net Weight (lbs)	88 lbs

ACCESSORIES (REQUIRED)

Blower (Sold Separately)

BLOWER OPTIONS

Remote Blower (Mounted to Roof or External Wall)	VTR630D - 600 CFM
	VTR1030D - 1000 CFM
	VTR1330E - 1300 CFM
Inline Blower (Mounted Between Kitchen and External Wall)	VTI610D - 600 CFM
	VTI1010D - 1000 CFM
Integrated Blower (Mounted in Hood)	VTN1080N - 1000 CFM

WARRANTY

Limited Warranty Parts and Labor	2 Year
----------------------------------	--------

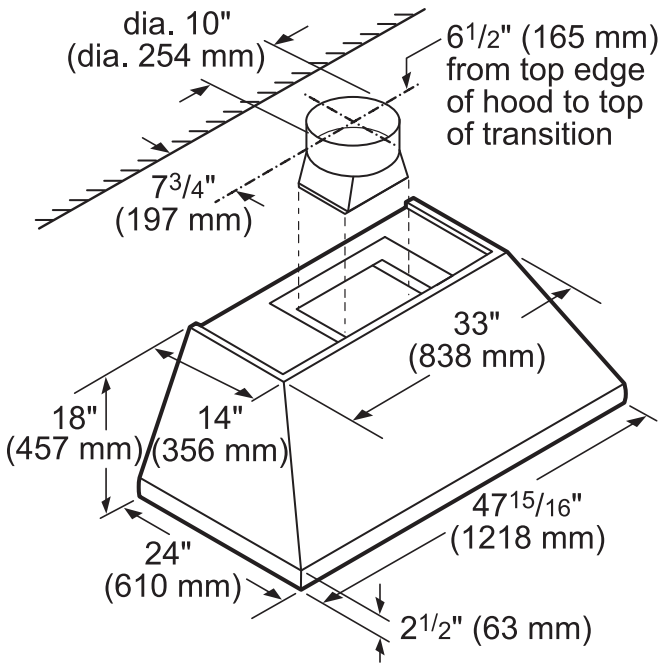
HPCN48NS

48-INCH CHIMNEY WALL HOOD

PROFESSIONAL SERIES

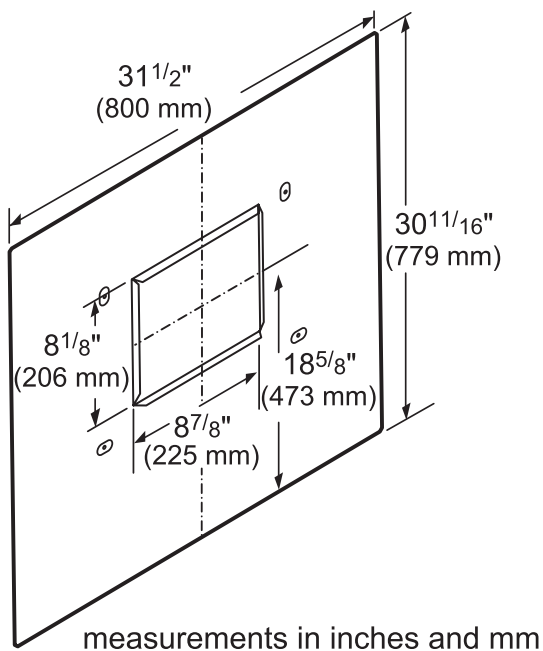


HOOD DIMENSIONS

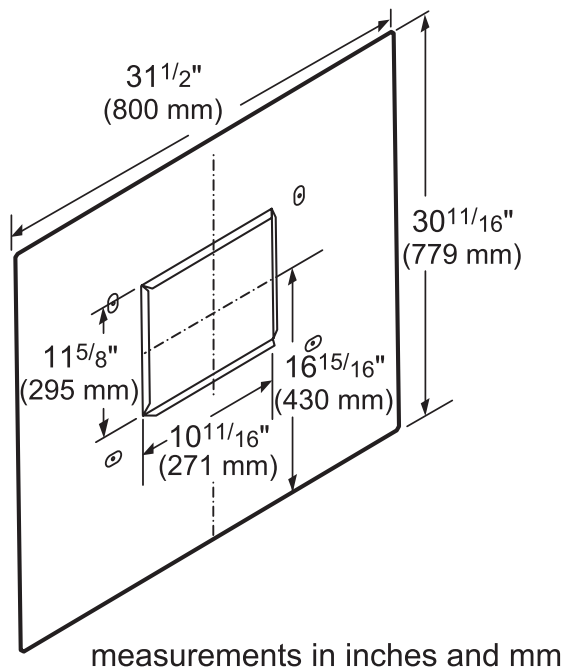


REMOTE BLOWER ACCESSORIES

ROOFPLATE RFPLT600



ROOFPLATE RFPLT1000



EXTNCB25

25 ft. Blower Connector Cable for use with the following Inline and Remote blowers: VTR630D, VTR1030D, VTR1330E, VTI610D, VTI1010D

HPCN48NS

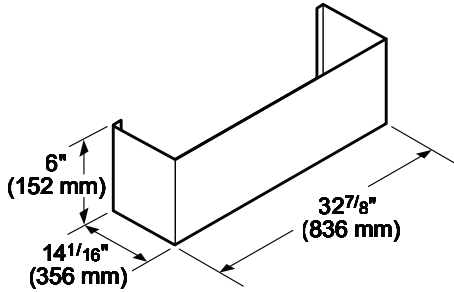
48-INCH CHIMNEY WALL HOOD

PROFESSIONAL SERIES

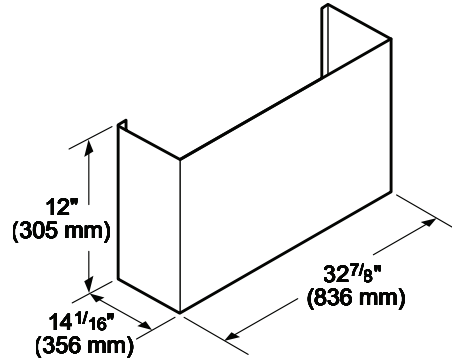


OPTIONAL ACCESSORIES

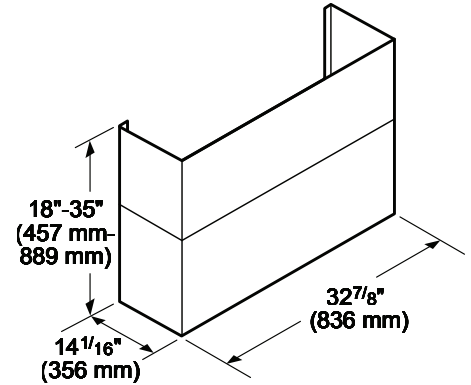
6" HIGH DUCT COVER
CHMHP486N



12" HIGH DUCT COVER
CHMHP4812N

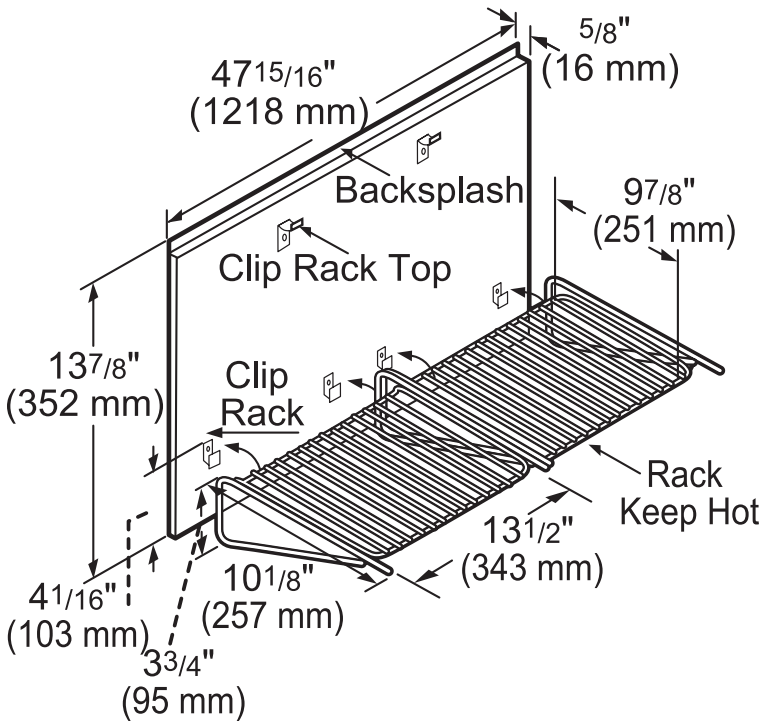


18" - 35" HIGH DUCT COVER
CHMHP48TSN

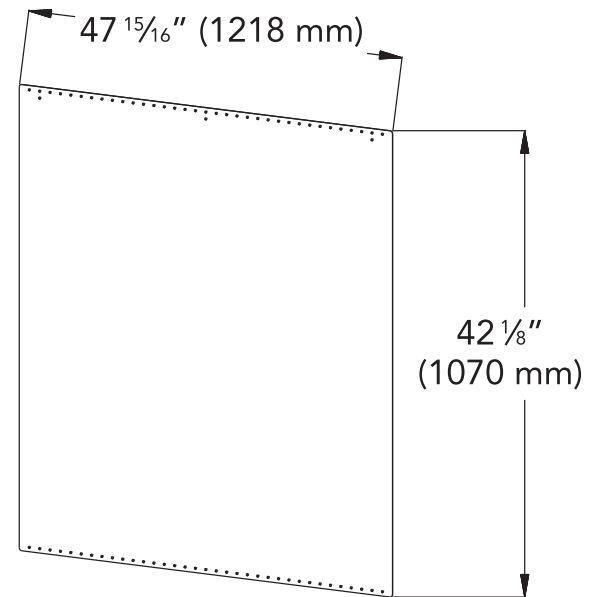


KEEP-HOT SHELF
KHS48QS 48" WIDE

- Stainless steel finish
- Convenient shelf allows dishes to keep hot at serving temperature.
- Includes stainless steel backguard and two shelves.



STAINLESS STEEL BACKSPLASH
PA48JBS 48" WIDE



measurements in inches and mm

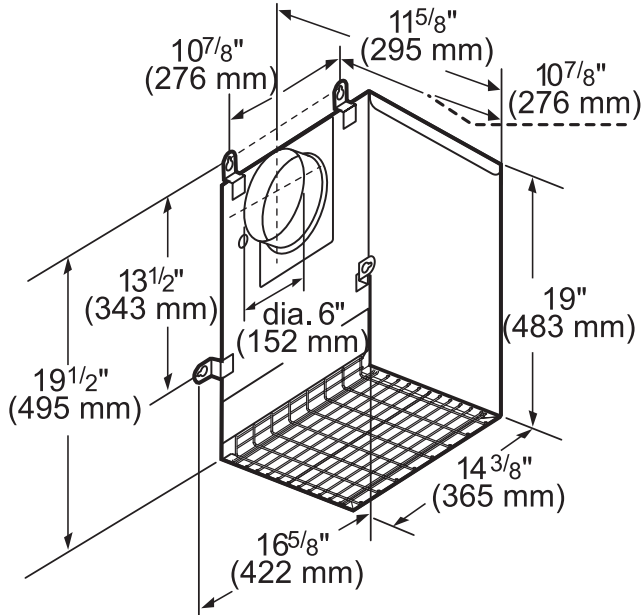
HPCN48NS
48-INCH CHIMNEY WALL HOOD
 PROFESSIONAL SERIES



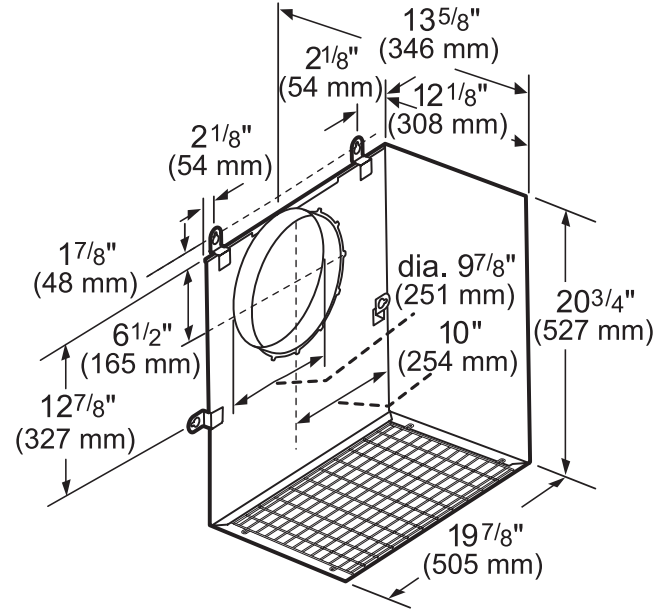
REMOTE BLOWERS (MOUNTED TO ROOF OR EXTERNAL WALL)

VTR630D-600 CFM

VTR1030D-1000 CFM

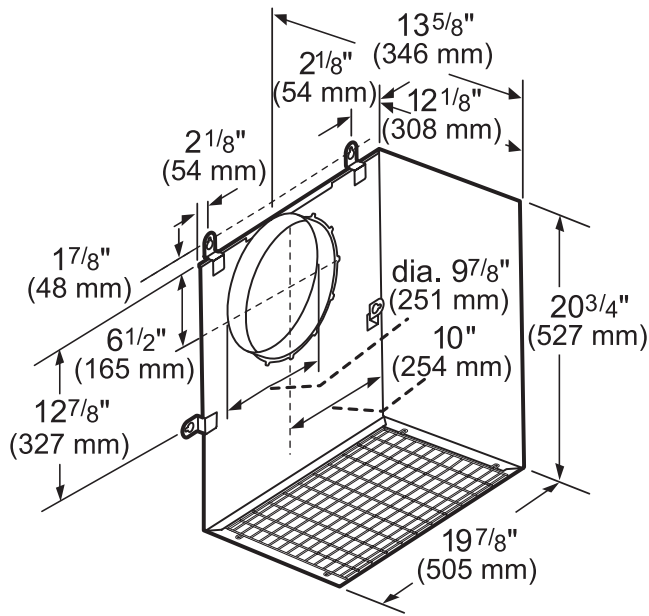


measurements in inches and mm



measurements in inches and mm

VTR1330E-1300 CFM



measurements in inches and mm

HPCN48NS

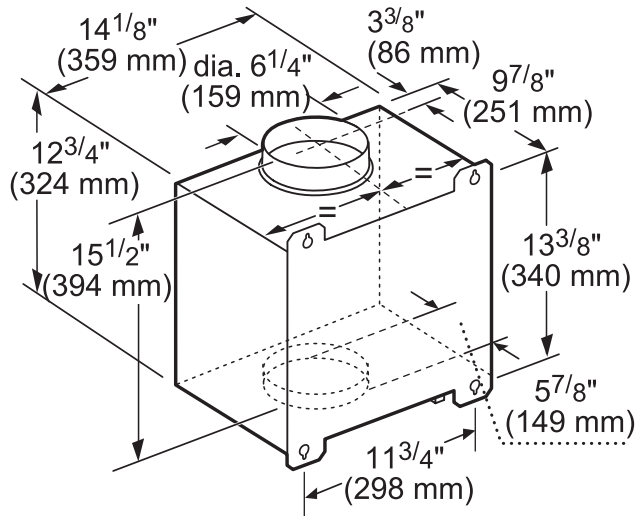
48-INCH CHIMNEY WALL HOOD

PROFESSIONAL SERIES



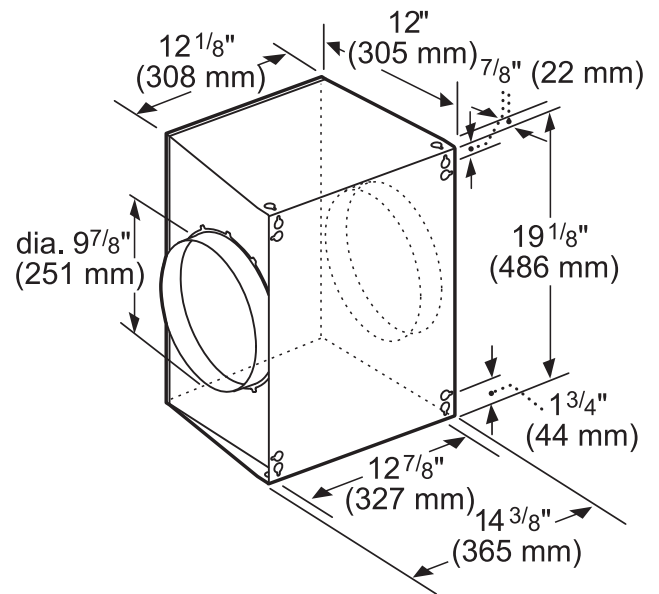
INLINE BLOWERS (MOUNTED BETWEEN KITCHEN AND EXTERNAL WALL)

VTI610D-600 CFM



measurements in inches and mm

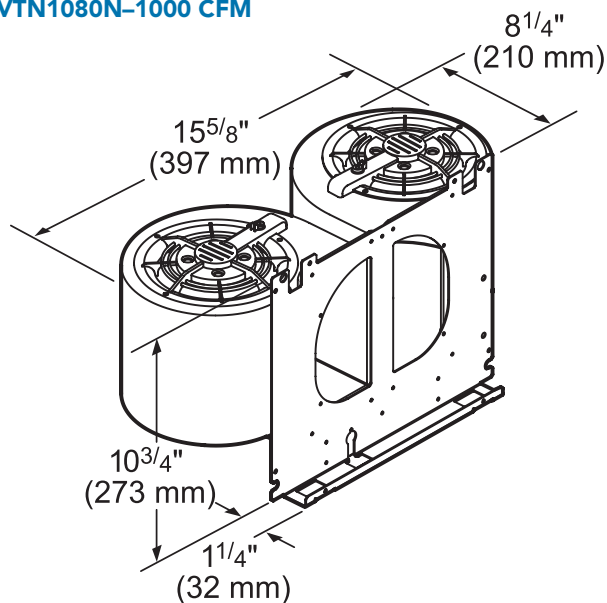
VTI1010D-1000 CFM



measurements in inches and mm

INTEGRATED BLOWERS (MOUNTED IN HOOD)

VTN1080N-1000 CFM



measurements in inches and mm

These warranties give you specific legal rights and you may have other rights that vary from state to state. Full warranty and limited warranty from date of installation. For complete warranty details, refer to your Use & Care manual, or ask your dealer.

Specifications are for planning purposes only. Refer to installation instructions and consult your countertop supplier prior to making counter opening. Consult with a heating and ventilation engineer for your specific ventilation requirements. For the most detailed information, refer to installation instructions accompanying product or write to Thermador indicating the model number. Specifications are correct at time of printing. Thermador reserves the right to change product specifications or design without notice. Some models are certified for use in Canada. Thermador is not responsible for products that are transported from the U.S. for use in Canada.