

# PH36HS 24-INCH DEPTH WALL HOOD (36-INCH WIDTH)

PROFESSIONAL SERIES



## FEATURES & BENEFITS

- Three fan speeds
- Delayed shut-off tackles lingering odors for up to 10 minutes
- Built-in 'Clean Filter' reminder light illuminates after 40 hours of operation
- Filter systems are highly efficient at capturing grease
- Dishwasher-safe grease collection trays are easily removed
- 24" depth hood is 18" tall and a perfect companion with Pro Harmony Ranges and Rangetops

## ACCESSORIES (OPTIONAL)

25 ft. Blower Connector Cable - EXTNCB25

For use with the following Inline and Remote Blowers:  
VTR630D, VTR1030D, VTR1330E, VTI610D, VTI1010D

Roofplates

RFPLT600 - For use with 600 CFM Remote Blower VTR630D

RFPLT1000 - For use with 1000 CFM Remote Blower VTR1030D and 1300 CFM Blower VTR1330E

36" W Keep-Hot Shelf	KHS36QS
36" W, 6" H Stainless Steel Duct Cover	DC36US
36" W, 12" H Stainless Steel Duct Cover	DCT36US
36" W Stainless Steel Backsplash	PA36JBS
Roof Jack	RJ310
Wall Cap	WC10

## GENERAL PROPERTIES

Operating Mode	Ducted
Maximum CFM	N/A
Number of Speed Settings	3-Stage
Motor Location	Blower (Sold Separately)
Number Of Lights	2
Bulb Type	20 W - G9 Base
Total Power Of The Lamps (W)	40 W
Damper Included	Yes
Grease Filter Material	Washable Stainless Steel
Grease Filter Type	Commercial-Style Baffle

## TECHNICAL DETAILS

Watts (W)	N/A
Current (A)	15; 20 A
Volts (V)	120 V
Frequency (Hz)	60 HZ
Plug Type	120V-3 Prong

## DIMENSIONS & WEIGHT

Overall Appliance Dimensions (Width Of Canopy Included) (HxWxD) (in)	18" x 35 15/16" x 24"
Required Distance Above Cooktop / Range Cooking Surface	30" / 30"
Diameter of Air Duct (in) Top	10"
Diameter of Air Duct (in) Back	10"
Net Weight (lbs)	75 lbs

## ACCESSORIES (REQUIRED)

Blower (Sold Separately)

## BLOWER OPTIONS

Remote Blower (Mounted to Roof or External Wall)	VTR630D - 600 CFM
	VTR1030D - 1000 CFM
	VTR1330E - 1300 CFM
Inline Blower (Mounted Between Kitchen and External Wall)	VTI610D - 600 CFM
	VTI1010D - 1000 CFM
Integrated Blower (Mounted in Hood)	VTN630N - 600 CFM
	VTN1030N - 1000 CFM

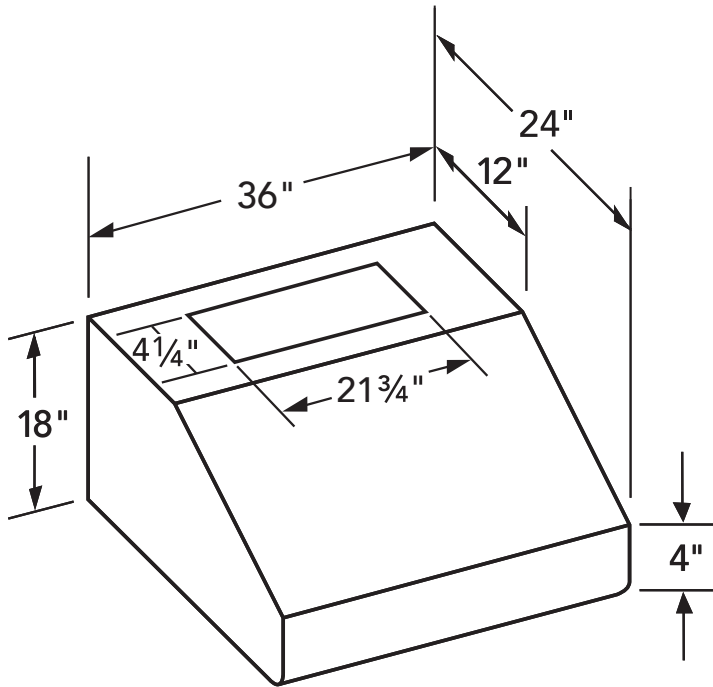
## WARRANTY

Limited Warranty Parts And Labor	2 Year
----------------------------------	--------

**PH36HS**  
**24-INCH DEPTH WALL HOOD (36-INCH WIDTH)**  
PROFESSIONAL SERIES



**HOOD DIMENSIONS**



# PH36HS 24-INCH DEPTH WALL HOOD (36-INCH WIDTH)

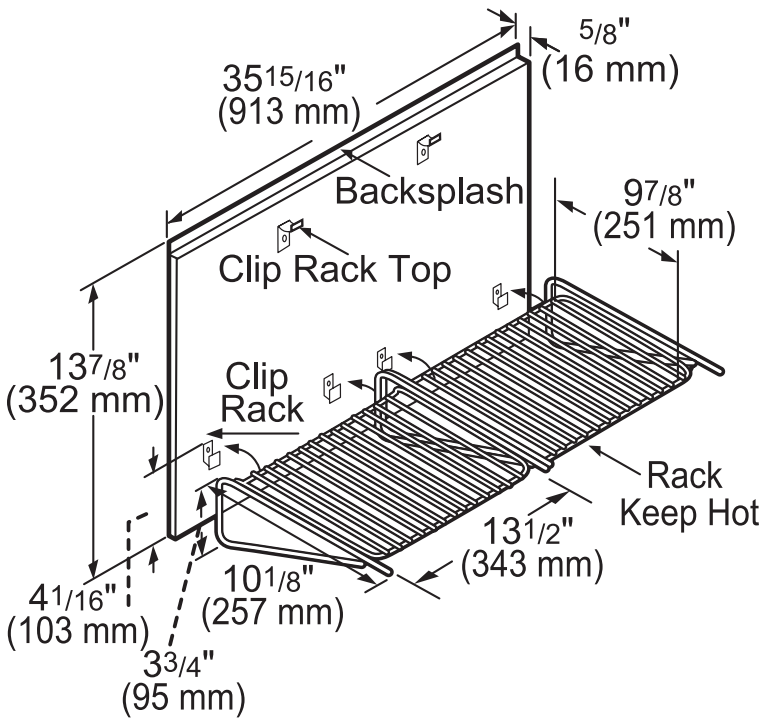
PROFESSIONAL SERIES



## OPTIONAL ACCESSORIES

### KEEP-HOT SHELF KHS36QS 36" WIDE

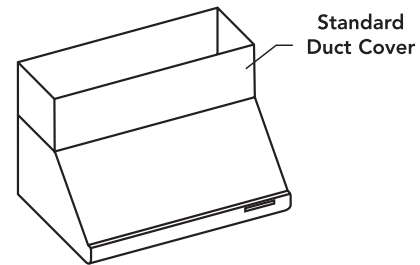
- Stainless steel finish
- Convenient shelf allows dishes to keep hot at serving temperature.
- Includes stainless steel backguard and two shelves.



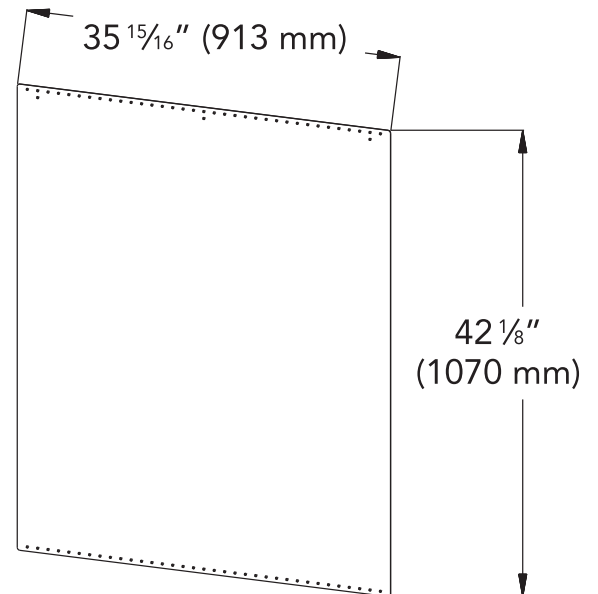
measurements in inches and mm

### 36" WIDE DUCT COVER DC36US 6" HIGH DCT36US 12" HIGH

Stainless steel duct cover for wall hood applications



### STAINLESS STEEL BACKSPLASH PA36JBS 36" WIDE



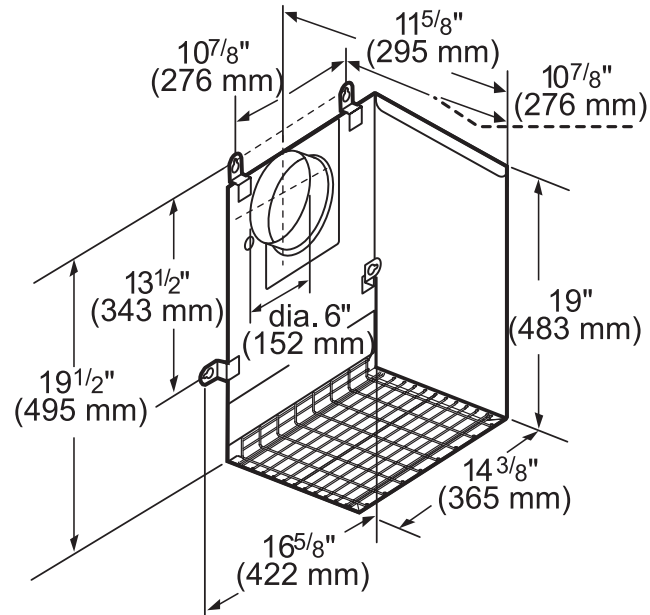
# PH36HS 24-INCH DEPTH WALL HOOD (36-INCH WIDTH)

PROFESSIONAL SERIES



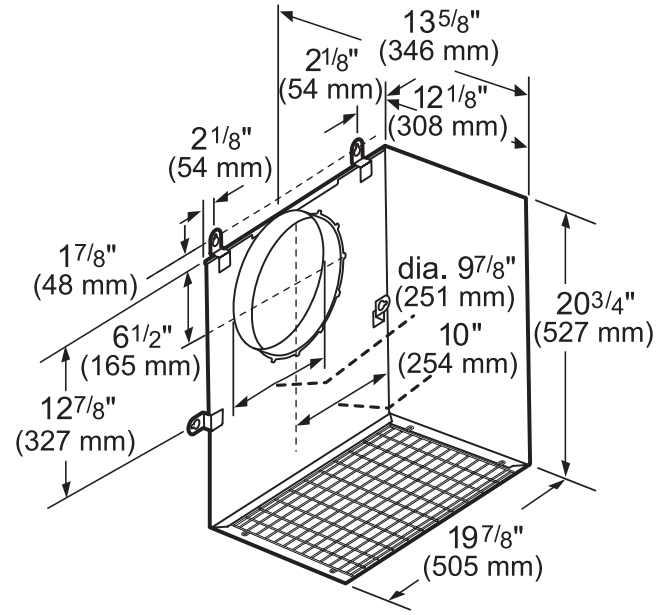
## REMOTE BLOWERS (MOUNTED TO ROOF OR EXTERNAL WALL)

### VTR630D-600 CFM



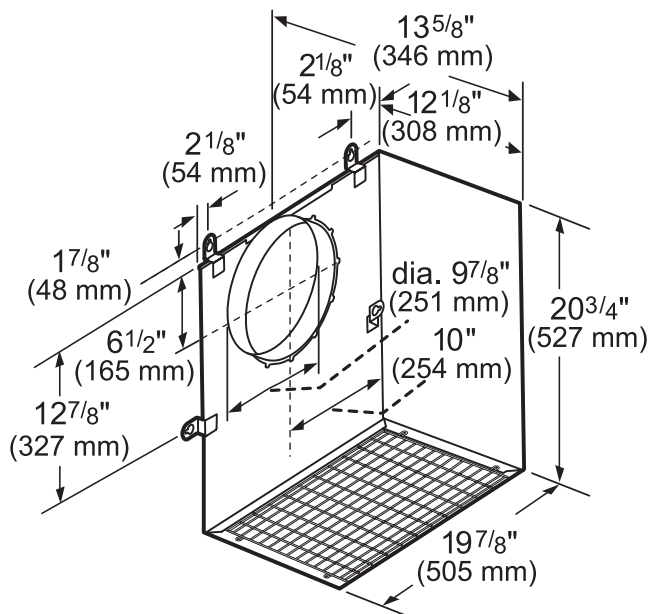
measurements in inches and mm

### VTR1030D-1000 CFM



measurements in inches and mm

### VTR1330E-1300 CFM



measurements in inches and mm

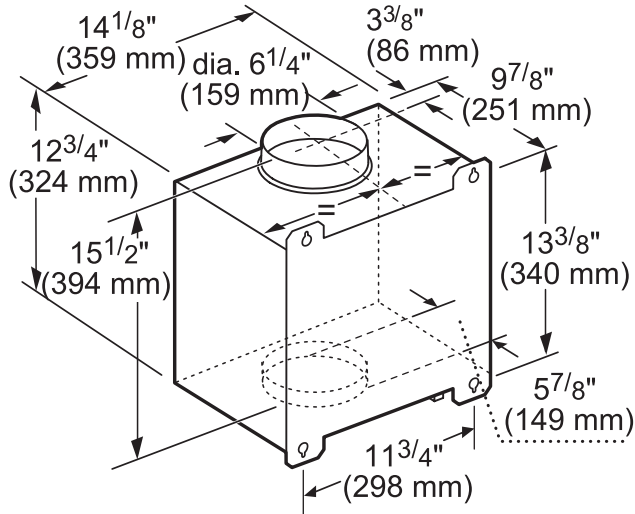
# PH36HS 24-INCH DEPTH WALL HOOD (36-INCH WIDTH)

PROFESSIONAL SERIES



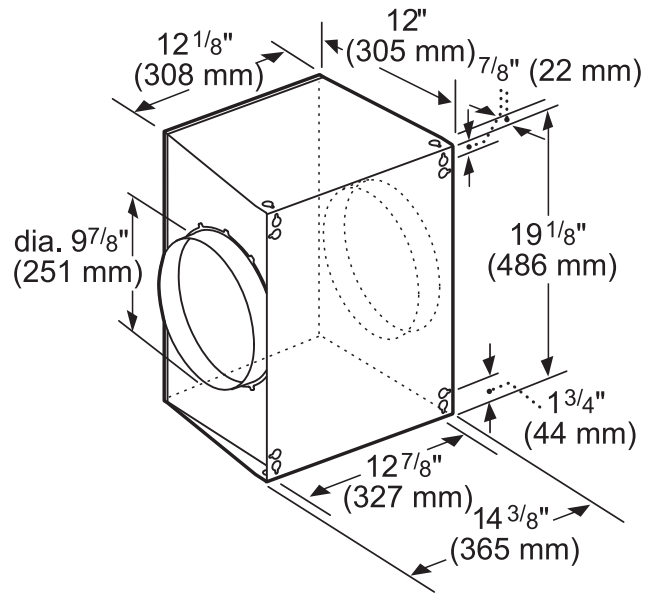
## INLINE BLOWERS (MOUNTED BETWEEN KITCHEN AND EXTERNAL WALL)

### VTI610D-600 CFM



measurements in inches and mm

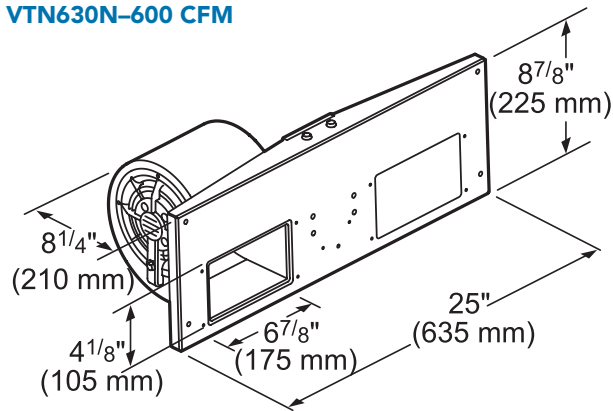
### VTI1010D-1000 CFM



measurements in inches and mm

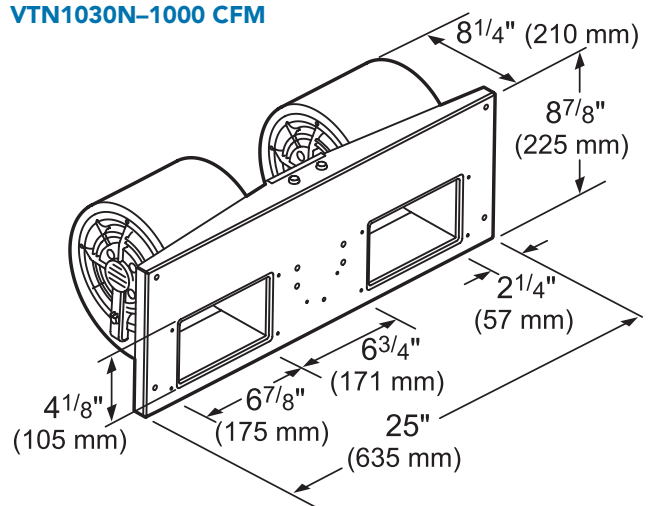
## INTEGRATED BLOWERS (MOUNTED IN HOOD)

### VTN630N-600 CFM



measurements in inches and mm

### VTN1030N-1000 CFM



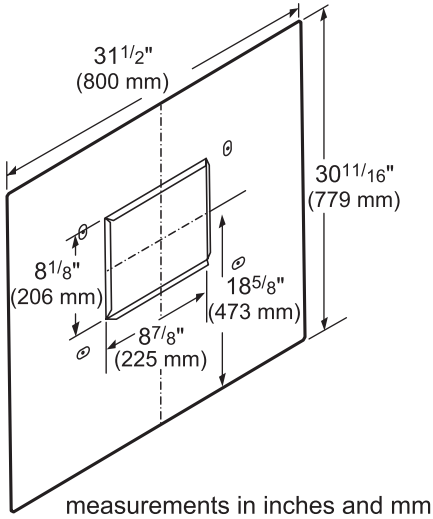
# PH36HS 24-INCH DEPTH WALL HOOD (36-INCH WIDTH)

PROFESSIONAL SERIES

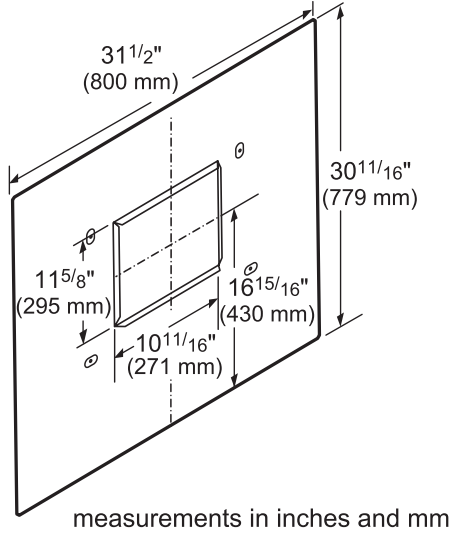


## REMOTE BLOWER ACCESSORIES

### ROOFPLATE RFPLT600



### ROOFPLATE RFPLT1000

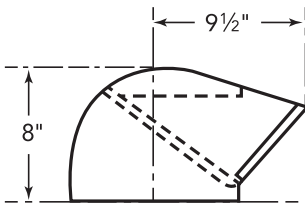


### EXTNCB25

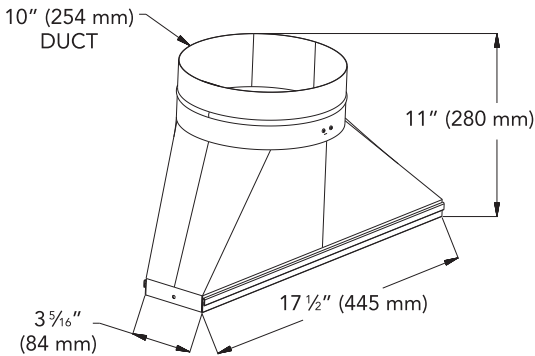
25 ft. Blower Connector Cable for use with the following Inline and Remote blowers: VTR630D, VTR1030D, VTR1330E, VT1610D, VT11010D

## ROOF JACK & TRANSITION

### ROOF JACK-RJ310

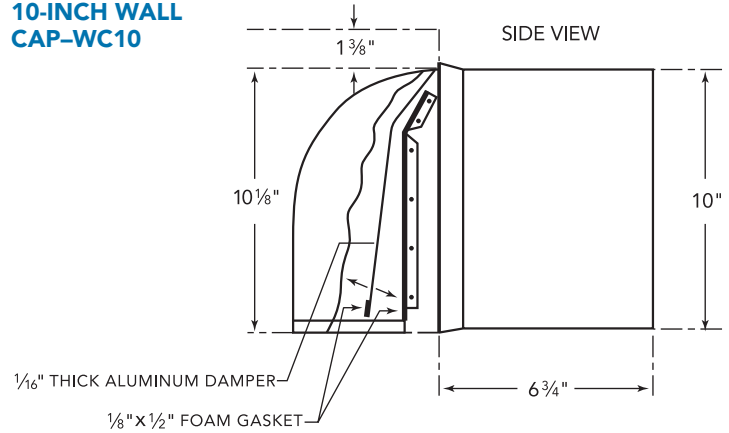


### TRANSITION



## WALL CAPS

### 10-INCH WALL CAP-WC10



These warranties give you specific legal rights and you may have other rights that vary from state to state. Full warranty and limited warranty from date of installation. For complete warranty details, refer to your Use & Care manual, or ask your dealer.

Specifications are for planning purposes only. Refer to installation instructions and consult your countertop supplier prior to making counter opening. Consult with a heating and ventilation engineer for your specific ventilation requirements. For the most detailed information, refer to installation instructions accompanying product or write to Thermador indicating the model number. Specifications are correct at time of printing. Thermador reserves the right to change product specifications or design without notice. Some models are certified for use in Canada. Thermador is not responsible for products that are transported from the U.S. for use in Canada.