

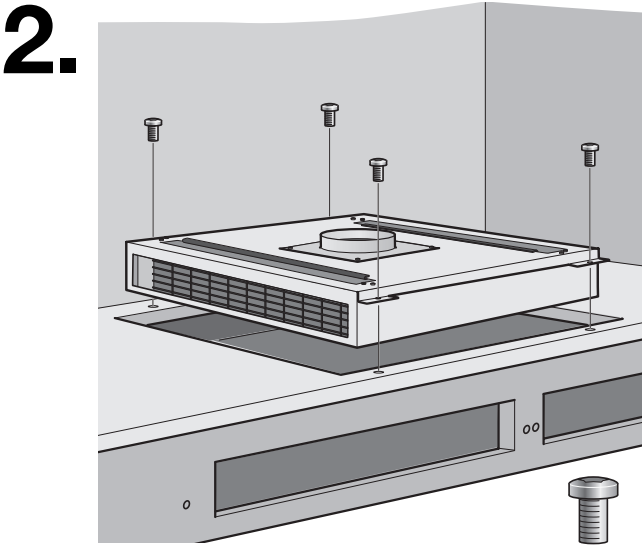
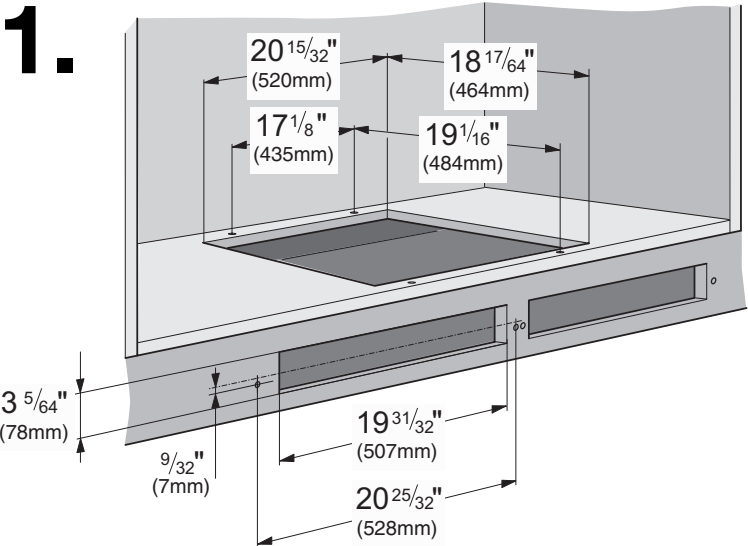
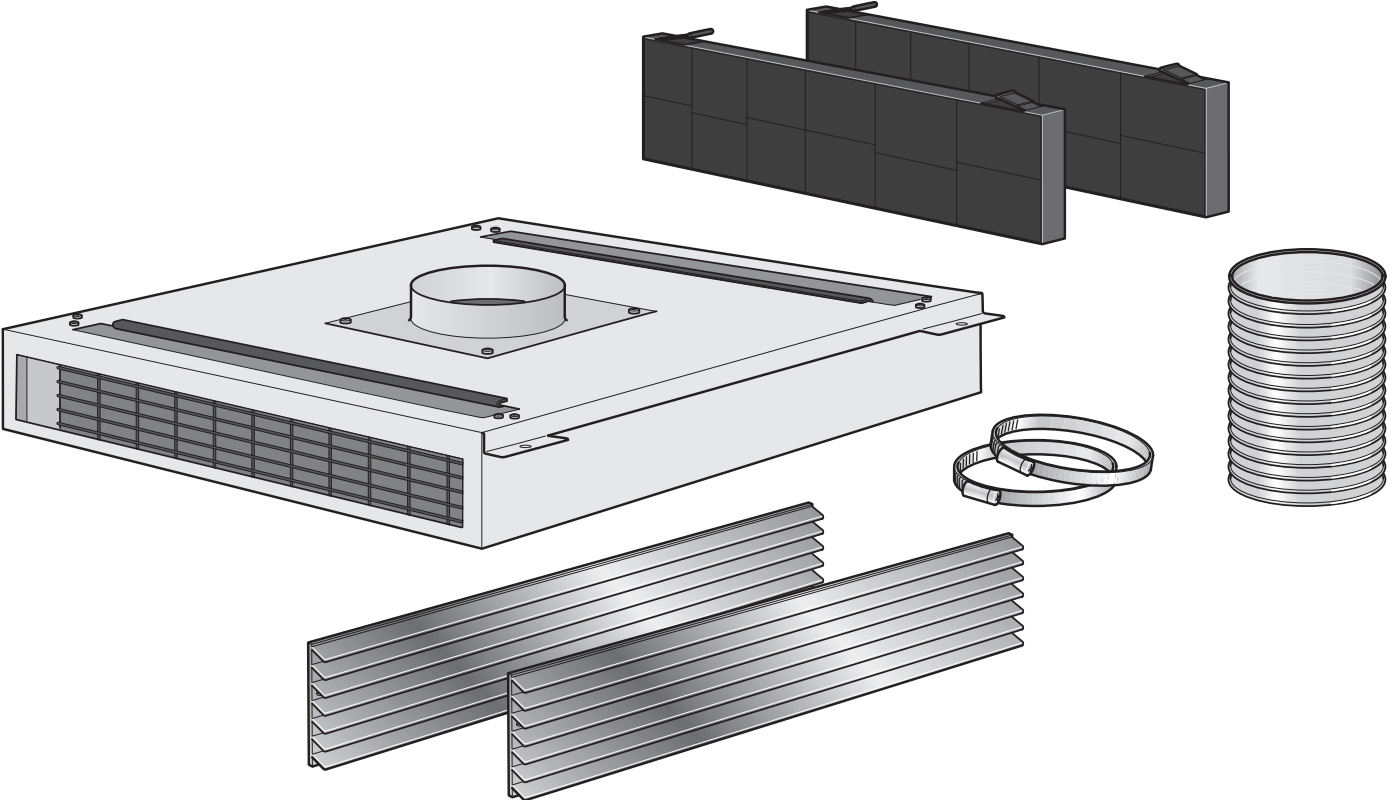
**Thermador**® | *An American Icon*™

# INSTALLATION MANUAL

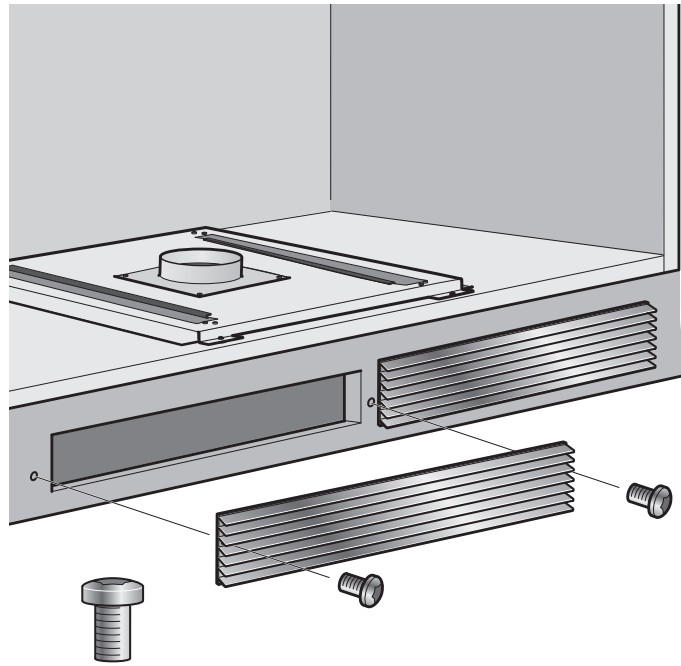
MODEL: RECIRC36DF



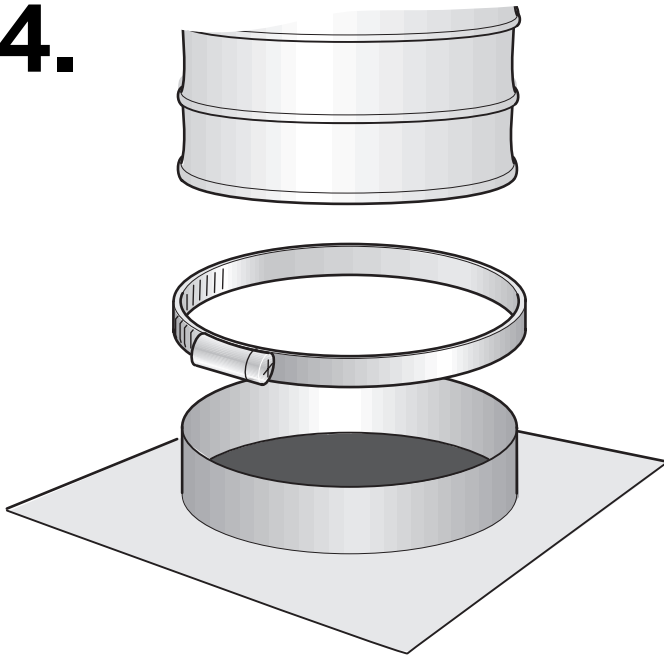
# INSTALLATION



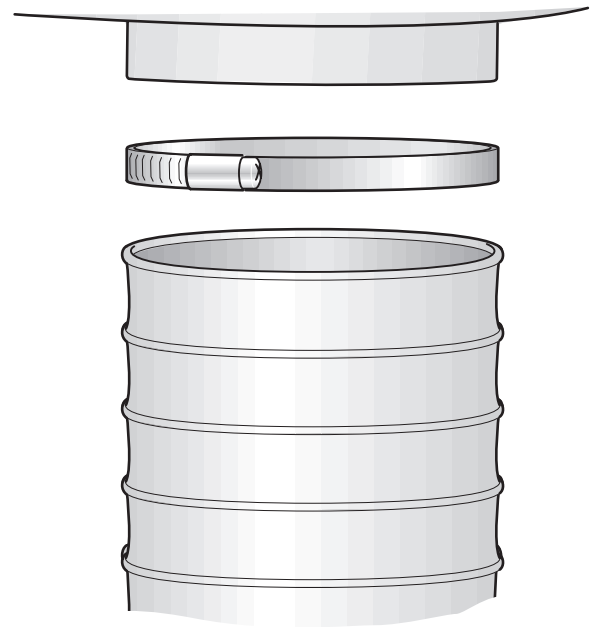
**3.**



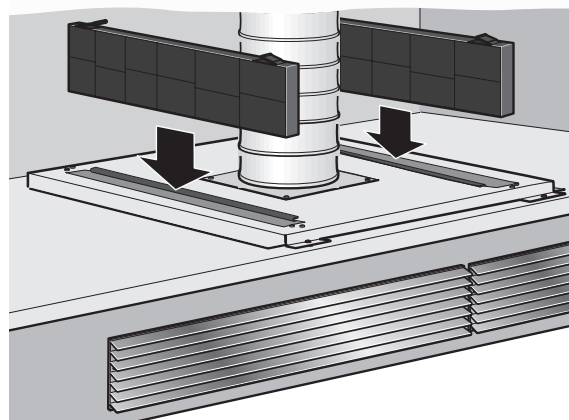
**4.**



**5.**



**6.**



**Thermador**<sup>®</sup> | *An American Icon*<sup>™</sup>

5551 McFadden Avenue, Huntington Beach CA, 92649 • 800-735-4328 • [www.thermador.com](http://www.thermador.com)  
9000343506 • 10013 RevB • 05/08 © BSH Home Appliances Corporation • Litho in U.S.A.