

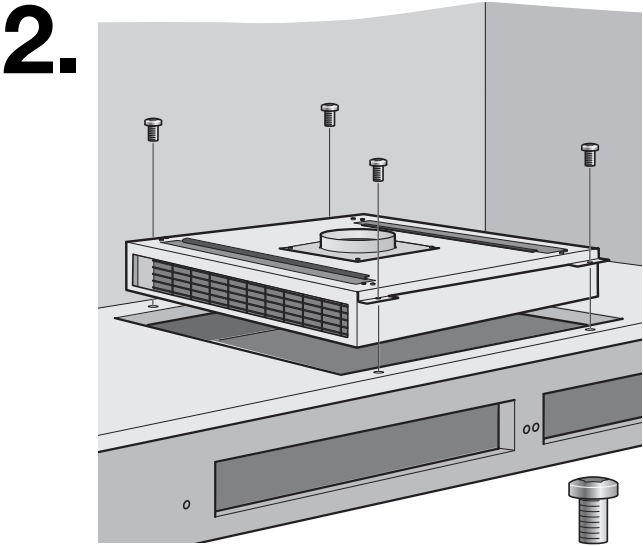
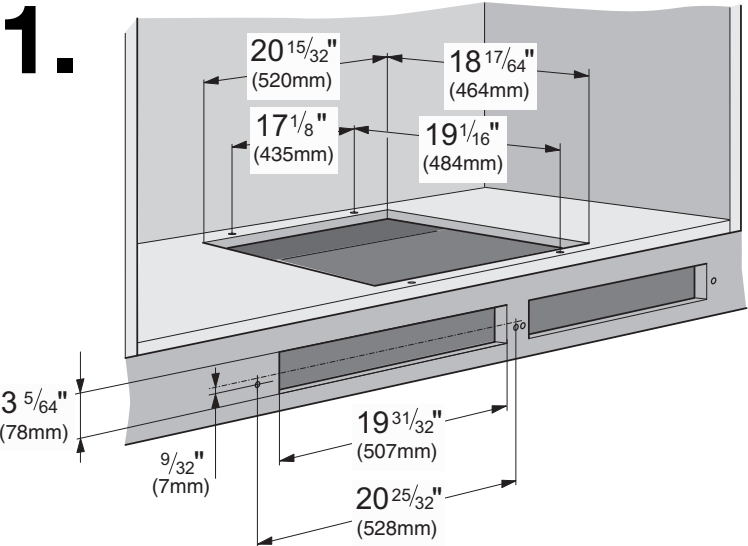
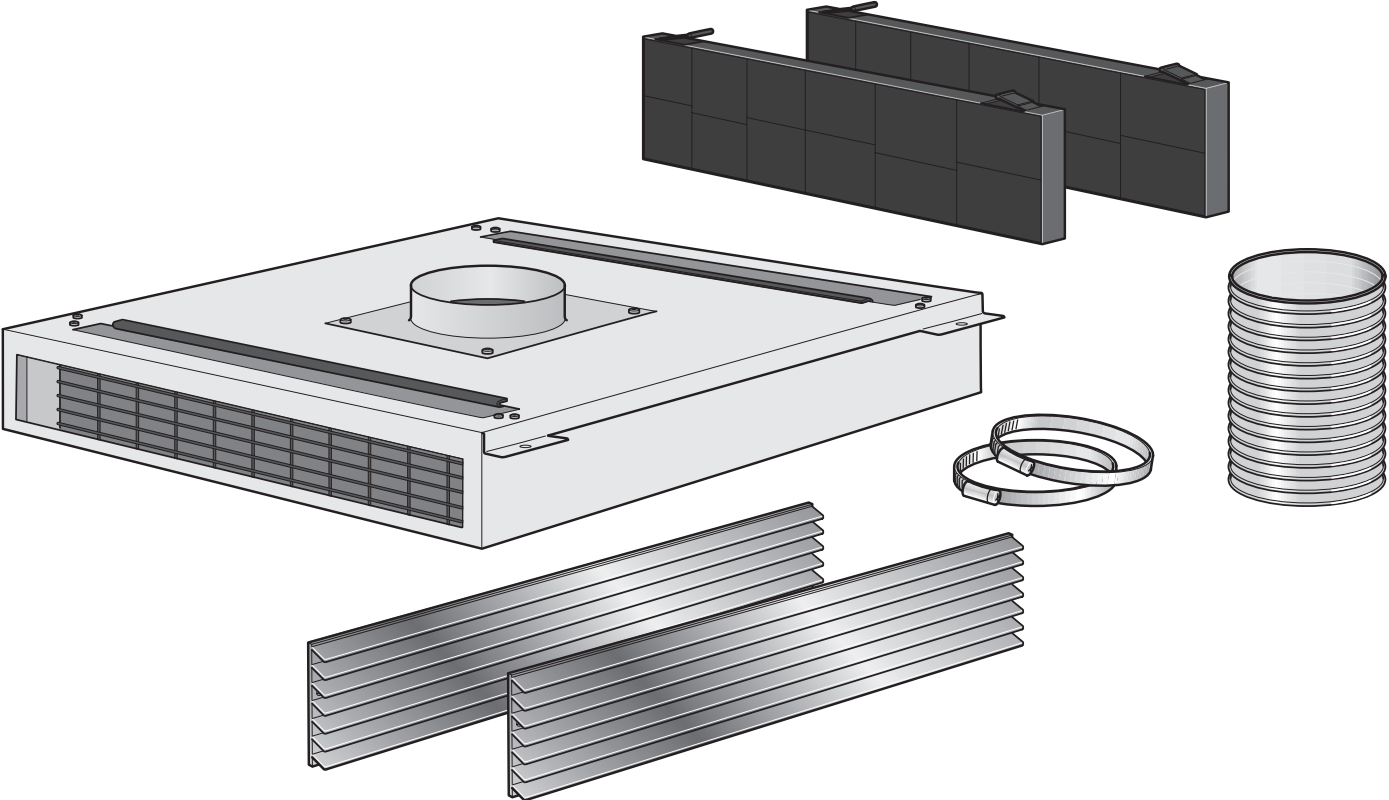
Thermador® | *An American Icon*™

INSTALLATION MANUAL

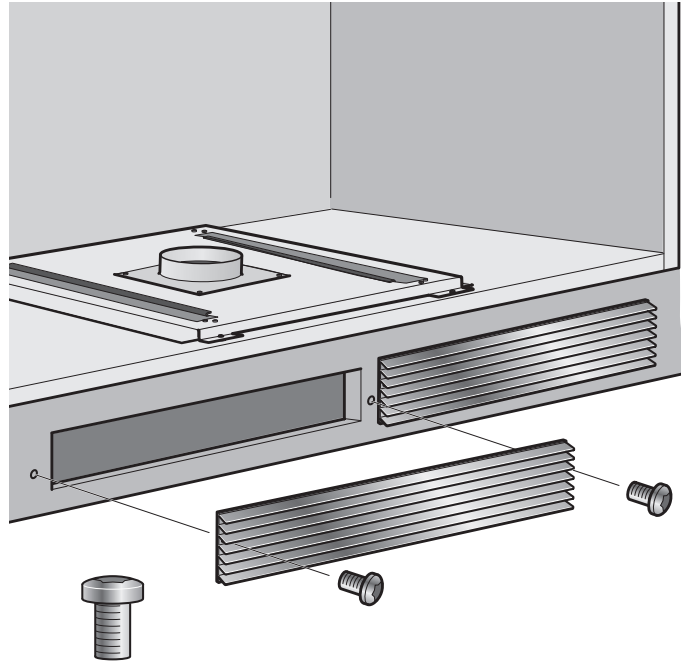
MODEL: RECIRC36DF



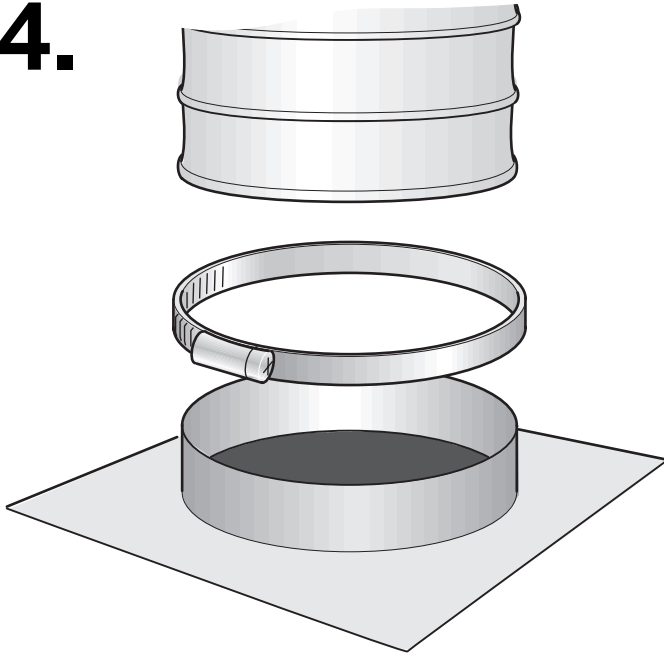
INSTALLATION



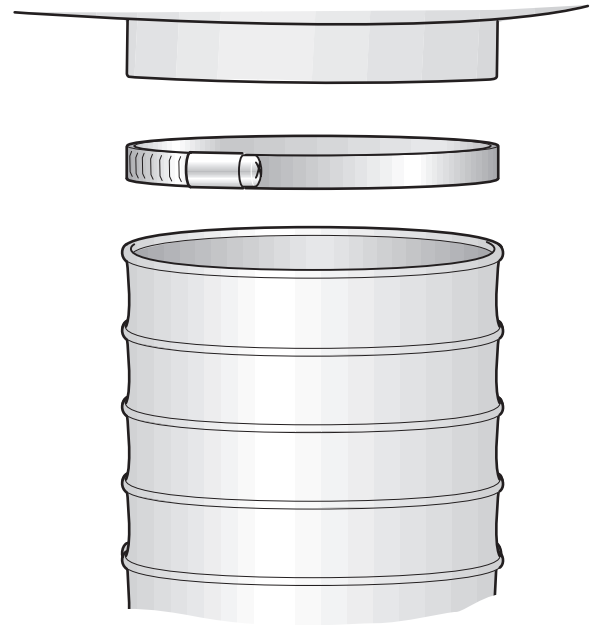
3.



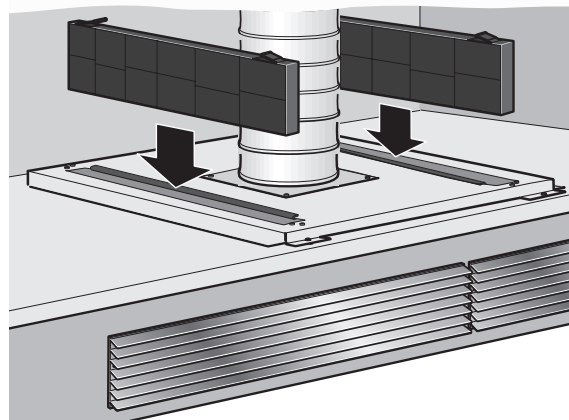
4.



5.



6.



Thermador[®] | *An American Icon*[™]

5551 McFadden Avenue, Huntington Beach CA, 92649 • 800-735-4328 • www.thermador.com
9000343506 • 10013 RevB • 05/08 © BSH Home Appliances Corporation • Litho in U.S.A.