



Thermador

Control panel with digital display and touch-sensitive buttons.

Water and ice dispenser.

REFRIGERATION SIDE-BY-SIDE

Thermador® Side-by-Side Refrigerators, equipped with legendary Thermador performance and quietness, embody a timeless configuration that puts convenience first. Available in popular 42- and 48-inch widths, these built-in refrigerators make a bold statement in the kitchen. The robust, all-stainless steel exteriors and elegant lines, along with the clean metal frame, complete the classic built-in look and make installation in any standard cutout a simple matter.

SIDE-BY-SIDE FEATURES & BENEFITS

EXCEPTIONAL BUILT-IN PERFORMANCE

Perfect for the more traditional 42- and 48-inch cutouts, side-by-side refrigerator-freezers provide classic built-in performance and aesthetics.



IMPRESSIVE CAPACITY PRECISE PERFORMANCE

On the interior, the impressive capacity is complemented by easy access door bins, drawers and frameless glass shelves. Contents are kept perfectly chilled with precise electronic temperature controls making food preservation effortless for the culinary enthusiast.

FILTERED EXTERNAL ICE AND WATER DISPENSER

A must for active kitchens. Fully filtered ice and water are provided by this convenient through-the-door dispenser (dispenser models only).

FILTERED ICE MAKER

An easily replaceable water filter ensures a continuously refreshed supply of pure ice.

ADJUSTABLE TEMPERATURE DELI DRAWER

Set the ideal storage temperature for fresh meat, poultry and seafood, ensuring that they are ready for preparation at a moment's notice.

FRAMELESS GLASS SHELVES

Elegant frameless glass shelves offer the maximum usable capacity while providing enhanced visibility of stored items at all levels. Cantilevered for easy adjustability.

ELECTRONIC TOUCH CONTROLS

Consistent temperatures—courtesy of precise electronic controls—keep contents of fresh food and freezer compartments well preserved.



HOLIDAY MODE

A special holiday mode acts as an auto shut-off feature to comply with certain religious holiday observances.





Thermador

SIDE-BY-SIDE 48-INCH



PROFESSIONAL

- External Ice and Water Dispenser
- 29.7 cu. ft. Capacity
- Professional Grille and Handles

48-Inch – T48BD820NS



PROFESSIONAL

- Internal Ice Maker
- 29.2 cu. ft. Capacity
- Professional Grille and Handles

48-Inch – T48BR820NS



MASTERPIECE®

- External Ice and Water Dispenser
- 29.7 cu. ft. Capacity
- Masterpiece® Grille and Handles

48-Inch – T48BD810NS



MASTERPIECE®

- Internal Ice Maker
- 29.2 cu. ft. Capacity
- Masterpiece® Grille and Handles

48-Inch – T48BR810NS

SIDE-BY-SIDE 42-INCH



PROFESSIONAL

- External Ice and Water Dispenser
- 25.3 cu. ft. Capacity
- Professional Grille and Handles

42-Inch – T42BD820NS



PROFESSIONAL

- Internal Ice Maker
- 24.8 cu. ft. Capacity
- Professional Grille and Handles

42-Inch – T42BR820NS



MASTERPIECE®

- External Ice and Water Dispenser
- 25.3 cu. ft. Capacity
- Masterpiece® Grille and Handles

42-Inch – T42BD810NS



MASTERPIECE®

- Internal Ice Maker
- 24.8 cu. ft. Capacity
- Masterpiece® Grille and Handles

42-Inch – T42BR810NS

SIDE-BY-SIDE PLANNING INFORMATION

MODEL OPTIONS

Select a 42" or 48" side-by-side refrigerator, either with a fully filtered internal ice maker or an external ice and water dispenser. Masterpiece® or Professional Handles are available to match the complete Thermador family of appliances.

INSTALLATION CONSIDERATIONS

The information in this design guide provides key features, product dimensions, cutouts and installation specifications. Before installing a Thermador Side-by-Side, be sure to verify the cabinet dimensions and electrical connections.

SIDE PANELS

Although the refrigerator will typically be installed in a cutout enclosed by cabinetry, custom side panels may be needed when not enough space is available to have cabinets on both sides of the refrigerator or when the refrigerator is placed at the end of a cabinet run. For proper planning, please refer to page 283.

WARRANTY

Limited two-year warranty—for two years from date of original purchase, we will provide, free of charge, parts and service labor in your home to repair or replace any part of the refrigerator that fails because of a manufacturing defect.



Limited warranty on sealed refrigeration system**; parts and labor (3rd–6th year)

Limited warranty on sealed refrigeration system; parts only (7th–12th year)

See page 310 for additional warranty details.

**Sealed refrigeration system includes compressor, evaporator, condenser, dryer / strainer and connecting tubing.

ELECTRICAL SPECIFICATIONS

Before you move your refrigerator into its final location, it is important to make sure you have the proper electrical connection.

RECOMMENDED GROUNDING METHOD

A 115 Volt, 60 Hz., AC only, 15- or 20-Amp fused, grounded electrical supply is required. It is recommended that a separate circuit serving only your refrigerator be provided. Use an outlet that cannot be turned off by a switch. Do not use an extension cord.

IMPORTANT: If this product is connected to a GFCI (Ground Fault Circuit Interrupter) protected outlet, nuisance tripping of the power supply may occur, resulting in loss of cooling. Food quality and flavor may be affected. If nuisance tripping has occurred, and if the condition of the food appears poor, dispose of it.

NOTE: Before performing any type of installation, cleaning or removing a light bulb, turn the master power switch to "OFF" or disconnect power at the circuit breaker box. When you are finished, turn "ON" the master power switch or reconnect power at the circuit breaker box. Then reset the control to the desired setting.

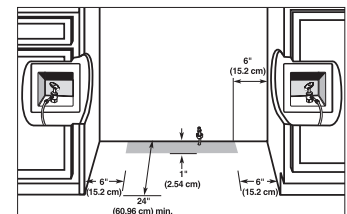
ELECTRICAL LOCATION

Be sure your appliance is properly installed and grounded by a qualified technician. Installation, electrical connections and grounding must comply with all applicable local codes.

WATER LOCATION

All installations must meet local plumbing code requirements.

The water shut-off should be located in the base cabinet on either side of the refrigerator or some other easily accessible area. The right-hand side is recommended. The access hole through the cabinet must be within 1/2" (13 mm) of the rear wall.



NOTE: If the water shutoff valve is in the back wall behind the refrigerator, it must be at an angle so that the tube is not kinked when the refrigerator is pushed into its final location.

If the water shut-off valve is not in the cabinets, the plumbing for the water line can come through the floor. A 1/2" (13 mm) hole for plumbing should be drilled at least 6" (152 mm) from the right or left hand side cabinet or panel. On the floor, the hole should be no more than 1" (25 mm) away from the back wall.

If additional tubing is needed, use copper tubing and check for leaks. Install the copper tubing only in areas where the household temperatures will remain above freezing.

Do not use a piercing-type or 3/16" (4.76 mm) saddle valve which reduces water flow and clogs more easily.

The refrigerator dealer has a kit available with a 1/4" (6.35 mm) saddle-type shut-off valve, a union, and copper tubing. Before purchasing, make sure a saddle-type valve complies with your local plumbing codes.

SIDE PANELS

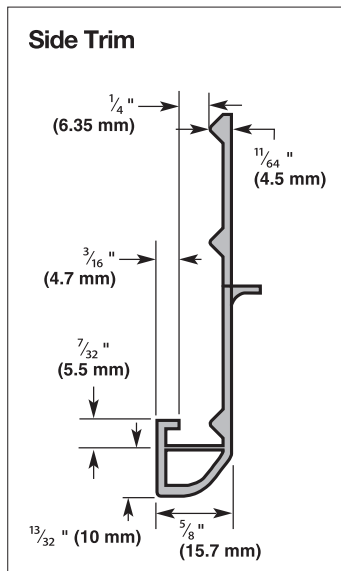
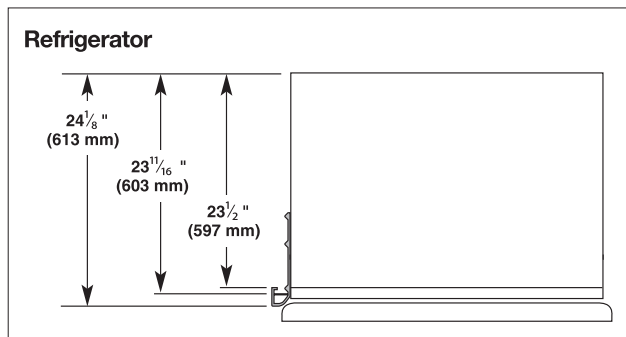
Custom side panels may be needed when not enough space is available to have cabinets on both sides of the refrigerator or when the refrigerator is placed at the end of a cabinet run. You may choose an inset, flush, or recessed inset panel installation.

REFRIGERATOR AND SIDE TRIM DIMENSIONS

The width and height of a side panel are determined by the type of installation you are planning.

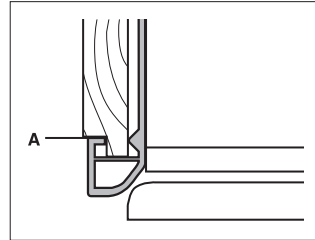
NOTES:

- The dimensions shown are actual product dimensions and may not reflect the needed panel installation dimensions.
- The side panel should be a minimum of 1/2" (13 mm) thick to avoid warping.
- If the opening depth is 25" (635 mm) or more, you may want to install a support board on rear wall.



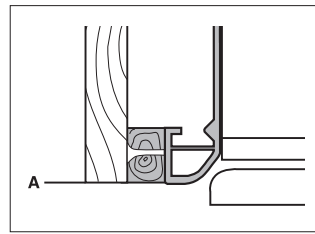
INSET INSTALLATION DIMENSIONS

1. Measure the distance from point A (as shown) to the back wall. Add 7/32" (5.6 mm) to this measurement to allow the side panel to fit into the trim.
2. If the panel is more than 1/4" (6.35 mm) thick, rout the front edge to allow the side panel to fit into the trim.



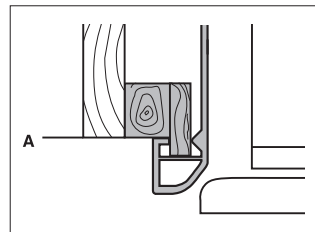
FLUSH INSTALLATION DIMENSIONS

1. Measure the distance from point A (as shown) to the back wall.
2. Attach the support board with a screw or adhesive that is compatible with aluminum and wood.



RECESSED INSET INSTALLATION DIMENSIONS

1. Measure the distance from point A (as shown) to the back wall.
2. Rout the front edge of the support board or attach a 1/4" (6.35 mm) board to hold the panel in the cabinet side trim.



REFRIGERATION

42-INCH SIDE-BY-SIDE

T42BR810NS / T42BR820NS / T42BD810NS / T42BD820NS



Stainless Steel Side-by-Side with Ice Maker



Stainless Steel Side-by-Side with Ice and Water Dispenser

T42BR810NS / T42BR820NS

DESIGN

- Timeless built-in stainless steel refrigerator
- Masterpiece® handle and flat ventilation grille design (T42BR810NS)
- Professional handle and lowered ventilation grille design (T42BR820NS)

PERFORMANCE

- Electronic controls for precise temperature management
- FlexTemp® Drawer optimized for fish, meat and produce
- Crisper drawers
- Gallon door bins
- Frameless glass shelves
- Height adjustable glass shelves
- All-metal freezer baskets
- Filtered ice maker
- SuperCool – Chills food quickly
- Sabbath mode
- Door open alarm
- 24.8 Cu. Ft.

T42BD810NS / T42BD820NS

DESIGN

- Timeless built-in stainless steel refrigerator
- Masterpiece® handle and flat ventilation grille design (T42BD810NS)
- Professional handle and lowered ventilation grille design (T42BD820NS)

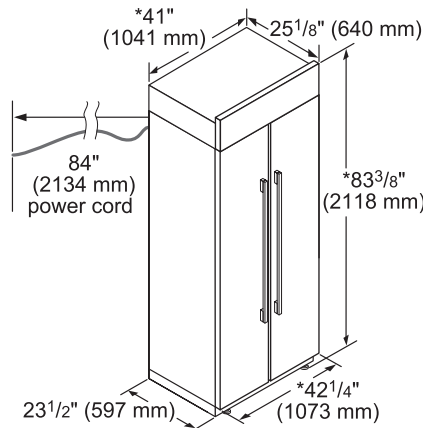
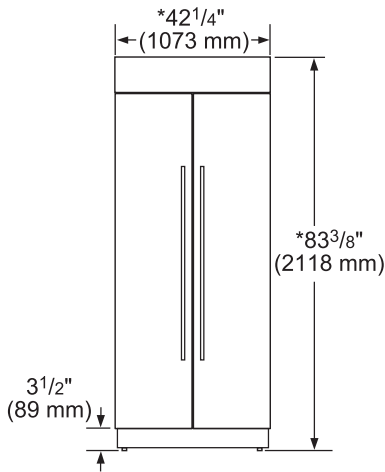
PERFORMANCE

- Full-Filtered external Water and Ice water Dispenser
- FlexTemp® Drawer optimized for fish, meat and produce
- Crisper drawers
- Gallon door bins
- Frameless glass shelves
- Height adjustable glass shelves
- All-metal freezer baskets
- Filtered ice maker
- SuperCool – Chills food quickly
- Sabbath mode
- Door open alarm
- 25.3 Cu. Ft.

	42-INCH			
Model Number	T42BD820NS	T42BR820NS	T42BD810NS	T42BR810NS
Series	Professional		Masterpiece®	
Total Capacity (cu. ft.)	25.3	24.8	25.3	24.8
Refrigerator Capacity (cu. ft.)	16			
Freezer Capacity (cu. ft.)	9			
Product Width (Incl. Trim Edge to Edge)	42 1/4"			
Product Height	83 3/8"			
Product Depth (Front of Grille to the Back)	25 1/8"			
Cutout Width (Min – Max)	41 1/2" – 41 3/4"			
Cutout Height (Min – Max)	83 1/2" – 84 3/4"			
Cutout Depth	24"			
Annual Energy Consumption	826 kWh	772 kWh	826 kWh	772 kWh
Electrical Supply	115V 60Hz / 6.5 Amp			
Power Cord Included	120V 3-Wire			
Shipping Weight (lbs.)	606	600	606	600

REFRIGERATION 42-INCH SIDE-BY-SIDE

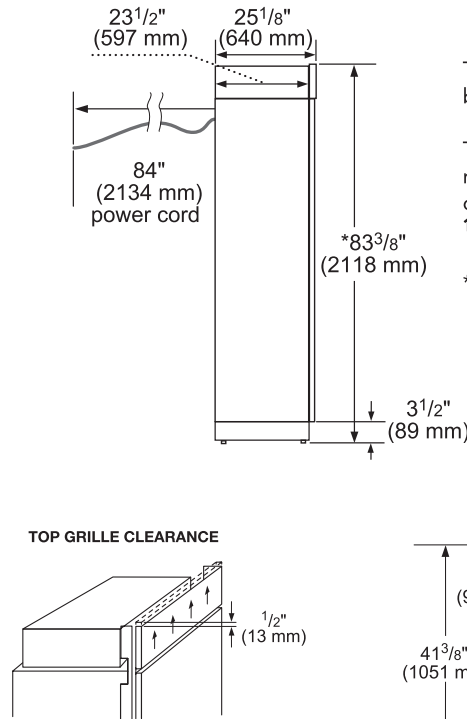
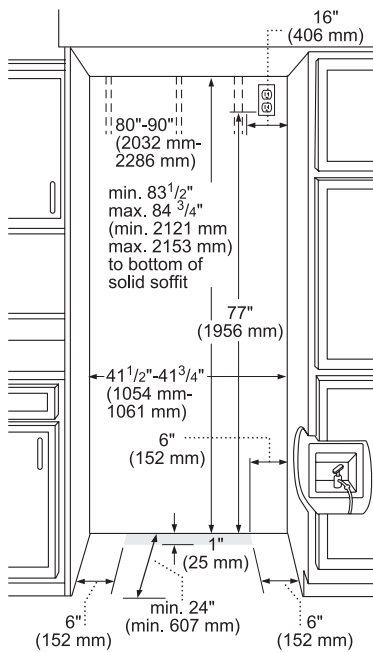
T42BD820NS / T42BR820NS / T42BD810NS / T42BR810NS



Width dimensions are measured from trim edge to trim edge.

Height dimensions are shown with leveling legs extended $\frac{1}{8}$ " (3 mm) below the rollers.

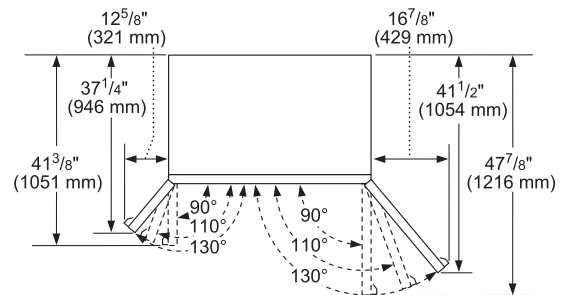
*When leveling legs are fully extended to $1\frac{1}{4}$ " (32 mm) below rollers, add $1\frac{1}{8}$ " (29 mm) to the height dimensions.



The depth from the front of the top grille to the back of the refrigerator cabinet is $25\frac{1}{8}$ " (638 mm).

The water line attached to the back of the refrigerator is 5 ft (1524 mm) long. Height dimensions are shown with leveling legs extended $\frac{1}{8}$ " (3 mm) below rollers.

*When leveling legs are fully extended to $1\frac{1}{4}$ " (32 mm) below rollers, add $1\frac{1}{8}$ " (29 mm) to the height dimensions.

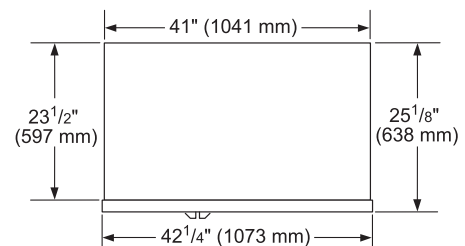


To avoid tipping during use, the solid soffit must be within 1 " (25 mm) maximum above the refrigerator. If the solid soffit is higher than 1 " (25 mm) or one is not available, then the refrigerator must be braced.

If the anti-tip boards are needed, they must be attached to the rear wall studs 80 " to 90 " (2032 to 2286 mm) above the floor.

NOTE: A clearance of $\frac{1}{2}$ " (13 mm) must be maintained above the top grille in order for the top grille to be removed. A grounded 3-wire electrical outlet should be placed within 16 " (406 mm) of the right side cabinets or end panel. The water shut-off should be located in the base cabinet on either side of the refrigerator or some other easily accessible area. If the water shut-off valve is not in the cabinets, the plumbing for the water line can come through the floor or the back wall.

The location must permit both doors to open to a minimum of 90° . Allow $4\frac{1}{2}$ " (114 mm) minimum space between the side of the refrigerator and a corner wall.



All refrigerators are UL and CUL approved.

REFRIGERATION

48-INCH SIDE-BY-SIDE

T48BR810NS / T48BR820NS / T48BD810NS / T48BD820NS



Stainless Steel Side-by-Side with Ice Maker



Stainless Steel Side-by-Side with Ice and Water Dispenser

T48BR810NS / T48BR820NS

DESIGN

- Timeless built-in stainless steel refrigerator
- Masterpiece® handle and flat ventilation grille design (T48BR810NS)
- Professional handle and lowered ventilation grille design (T48BR820NS)

PERFORMANCE

- Electronic controls for precise temperature management
- FlexTemp® Drawer optimized for fish, meat and produce
- Crisper drawers
- Gallon door bins
- Frameless glass shelves
- Height adjustable glass shelves
- All-metal freezer baskets
- Filtered ice maker
- SuperCool – Chills food quickly
- Sabbath mode
- Door open alarm
- 29.2 Cu. Ft.

T48BD810NS / T48BD820NS

DESIGN

- Timeless built-in stainless steel refrigerator
- Masterpiece® handle and flat ventilation grille design (T48BD810NS)
- Professional handle and lowered ventilation grille design (T48BD820NS)

PERFORMANCE

- Full-Filtered external Water and Ice water Dispenser
- FlexTemp® Drawer optimized for fish, meat and produce
- Crisper drawers
- Gallon door bins
- Frameless glass shelves
- Height adjustable glass shelves
- All-metal freezer baskets
- Filtered ice maker
- SuperCool – Chills food quickly
- Sabbath mode
- Door open alarm
- 29.7 Cu. Ft.

	48-INCH			
Model Number	T48BD820NS	T48BR820NS	T48BD810NS	T48BR810NS
Series	Professional		Masterpiece®	
Total Capacity (cu. ft.)	29.7	29.2	29.7	29.2
Refrigerator Capacity (cu. ft.)	19			
Freezer Capacity (cu. ft.)	11			
Product Width (Incl. Trim Edge to Edge)	48 1/4"			
Product Height	83 3/8"			
Product Depth (Front of Grille to the Back)	25 1/8"			
Cutout Width (Min – Max)	47 1/2" – 47 3/4"			
Cutout Height (Min – Max)	83 1/2" – 84 3/4"			
Cutout Depth	24"			
Annual Energy Consumption	885 kWh	832 kWh	885 kWh	832 kWh
Electrical Supply	115V 60Hz / 6.5 Amp			
Power Cord Included	120V 3-Wire			
Shipping Weight (lbs.)	652	638	652	638

