

ME301JP

30-INCH SINGLE BUILT-IN OVEN

MASTERPIECE® SERIES WITH PROFESSIONAL HANDLE



FEATURES & BENEFITS

- ★ - SoftClose® door ensures ultra smooth closing of the oven door
- ★ - Fastest preheat in the luxury segment
- ★ - Superfast 2-hour self clean mode-fastest on the market
 - 1 Full Access® telescopic rack
 - No preheat Speed Convection mode

ACCESSORIES (OPTIONAL)



TLSCPCK30
30-Inch Oven Telescopic Rack

GENERAL PROPERTIES

Modes

(18) Bake, Roast, True Convection, Convection Bake, Convection Roast, No Preheat Speed Convection, Warm, EasyCook®, Broil, Convection Broil, Pizza, Proof, Dehydrate, Cook Control™ Cook Control™ Probe, Self Clean, Sabbath, Favorites, Fast Preheat

Cleaning Type	Self Clean
Telescopic Rack(s)	1
Illumination Type	Halogen
Interior Lights	3

OVEN PERFORMANCE

Bake Element Wattages	2,000 W
Broil Element Wattages	3,600 W
Convection Element Wattages	2,000 W

TECHNICAL DETAILS

Watts (W)	7,300 W
Circuit Breaker (A)	30 A
Volts (V)	240 / 208 V
Frequency (Hz)	60 Hz
Plug Type	Fixed Connection, No Plug
Conduit	66" Flexible 4-Wire
Energy Source	Electric

DIMENSIONS & WEIGHT

Overall Appliance Dimensions (HxWxD) (in)	29 1/16" x 29 3/4" x 23 7/8"
Required Cutout Size (HxWxD) (in)	28 1/4" x 28 1/2" x 24"
Oven Cavity Size (cu. ft.)	4.7 cu. ft.
Overall Oven Interior Dimensions (HxWxD) (in)	17 7/8" x 25" x 17 7/8"
Usable Oven Interior Dimensions (HxWxD) (in)	12 3/4" x 22 3/4" x 17 1/4"
Net Weight (lbs)	166 lbs

ACCESSORIES (INCLUDED)

1 Telescopic and 2 Standard Oven Rack, Temperature Probe, Broiler Pan

WARRANTY

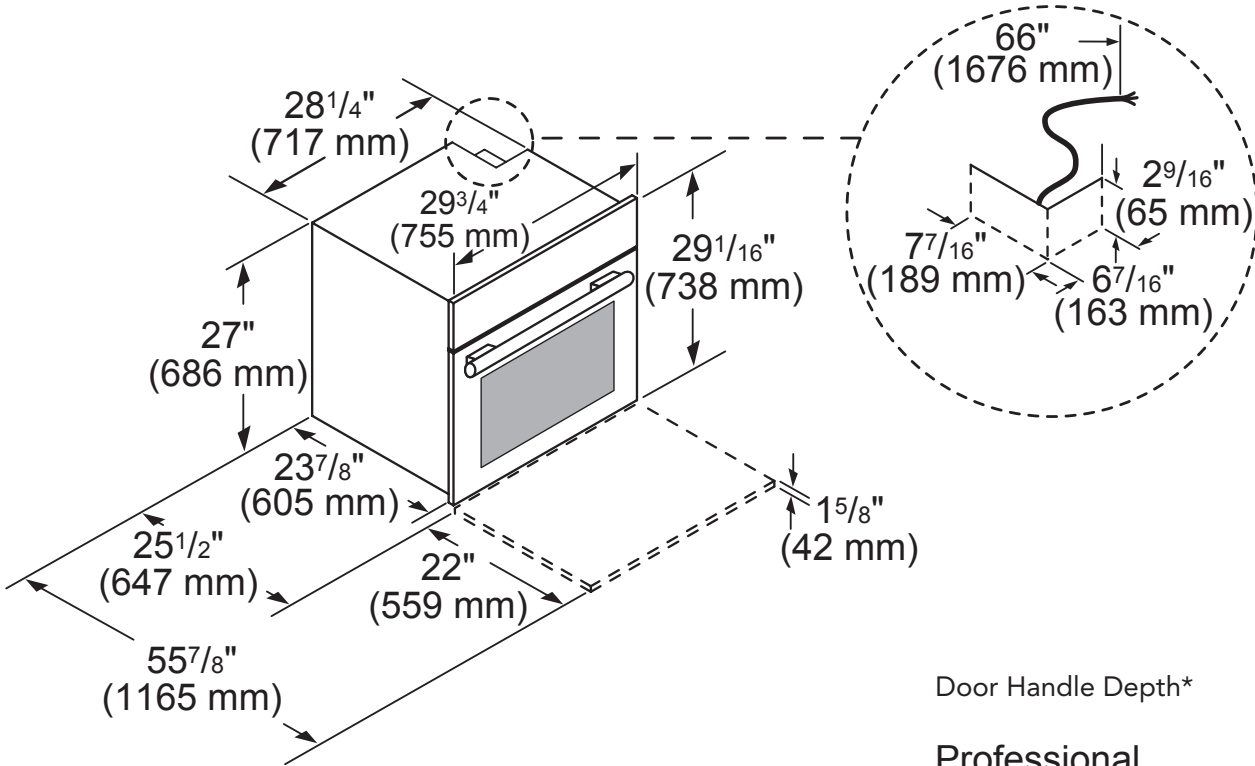
Limited Warranty Parts and Labor	2 Year
----------------------------------	--------

ME301JP 30-INCH SINGLE BUILT-IN OVEN

MASTERPIECE® SERIES WITH PROFESSIONAL HANDLE

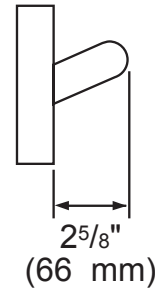


30-INCH SINGLE OVEN—WALL-MOUNTED

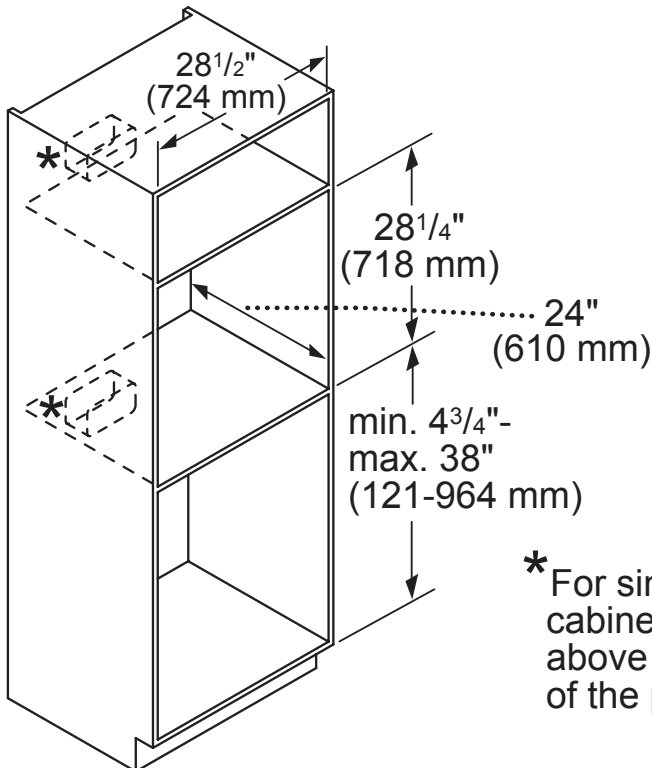


Door Handle Depth*

Professional Handle



*Protrusion of handle from outer part of door. Does not include thickness of door

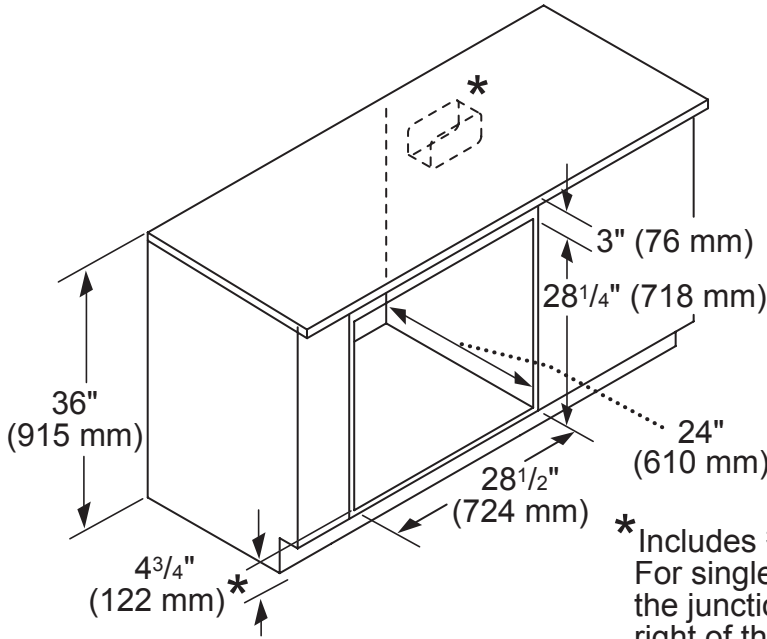


* For single ovens installed into a wall cabinet, the junction box may be located above or beneath the unit within reach of the power cord.

ME301JP
30-INCH SINGLE BUILT-IN OVEN
 MASTERPIECE® SERIES WITH PROFESSIONAL HANDLE

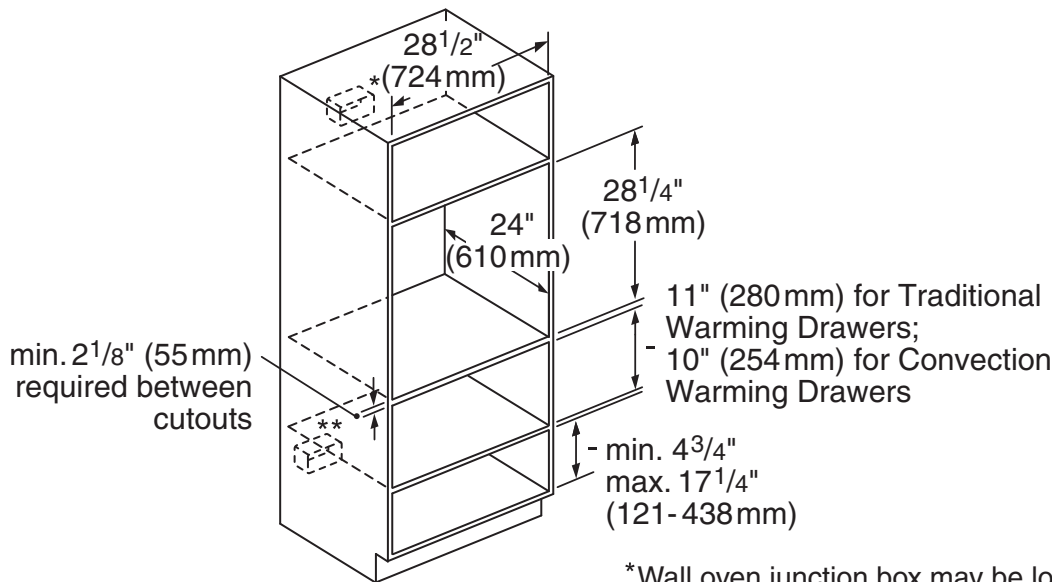


30-INCH SINGLE OVEN—UNDER-COUNTER



* Includes 3/4" (19 mm) base plate.
 For single ovens installed under a cabinet, the junction box should be located to the right of the unit with reach of the power cord.

30-INCH SINGLE OVEN OVER WARMING DRAWER



* Wall oven junction box may be located above or right or left of the unit within reach of the power conduit.

** Electrical hook up may be located below (depending on space) or next to the drawer within the reach of the power cord.

These warranties give you specific legal rights and you may have other rights that vary from state to state. Full warranty and limited warranty from date of installation. For complete warranty details, refer to your Use & Care manual, or ask your dealer.

Specifications are for planning purposes only. Refer to installation instructions and consult your countertop supplier prior to making counter opening. Consult with a heating and ventilation engineer for your specific ventilation requirements. For the most detailed information, refer to installation instructions accompanying product or write to Thermador indicating the model number. Specifications are correct at time of printing. Thermador reserves the right to change product specifications or design without notice. Some models are certified for use in Canada. Thermador is not responsible for products that are transported from the U.S. for use in Canada.