

30" Masterpiece® Series Single Oven with professional handle MED301JP



MED301JP Stainless steel

INNOVATION

- NEW The only SoftClose® door on the market. Thermador exclusive feature
- Massive Capacity - Largest oven cavity at 4.7 cu.ft. (AHAM)
- Fastest preheat in the luxury segment (around 7 minutes). Thermador exclusive feature
- Superfast 2-hour self clean mode - fastest on the market. Thermador exclusive feature

PERFORMANCE

- True Convection offers precise airflow for cooking on multiple levels without flavor transfer
- NEW 2 Full Access® telescopic racks hold up to 45 pounds each, integrated easy grip handle
- No preheat needed. Industry leading Speed Convection system reduces cooking time by 30%
- CookControl™ temperature probe
- EasyCook offers 20 pre-programmed recipes
- Powerful halogen light with automatic dimming
- 10-pass recessed broil element with 3,500 Watt
- 14 advanced cooking modes
- Advanced culinary modes - Warm, Proof and Dehydrate
- Fast Preheat available for 5 cooking modes
- Large oven door window for maximum viewing
- Timer offers automatic delay start mode
- Hidden bake element for easy cleaning
- Digital indicator shows progress of preheat cycle
- Six adjustable rack levels for multiple item cooking
- NEW Star-K certified

DESIGN

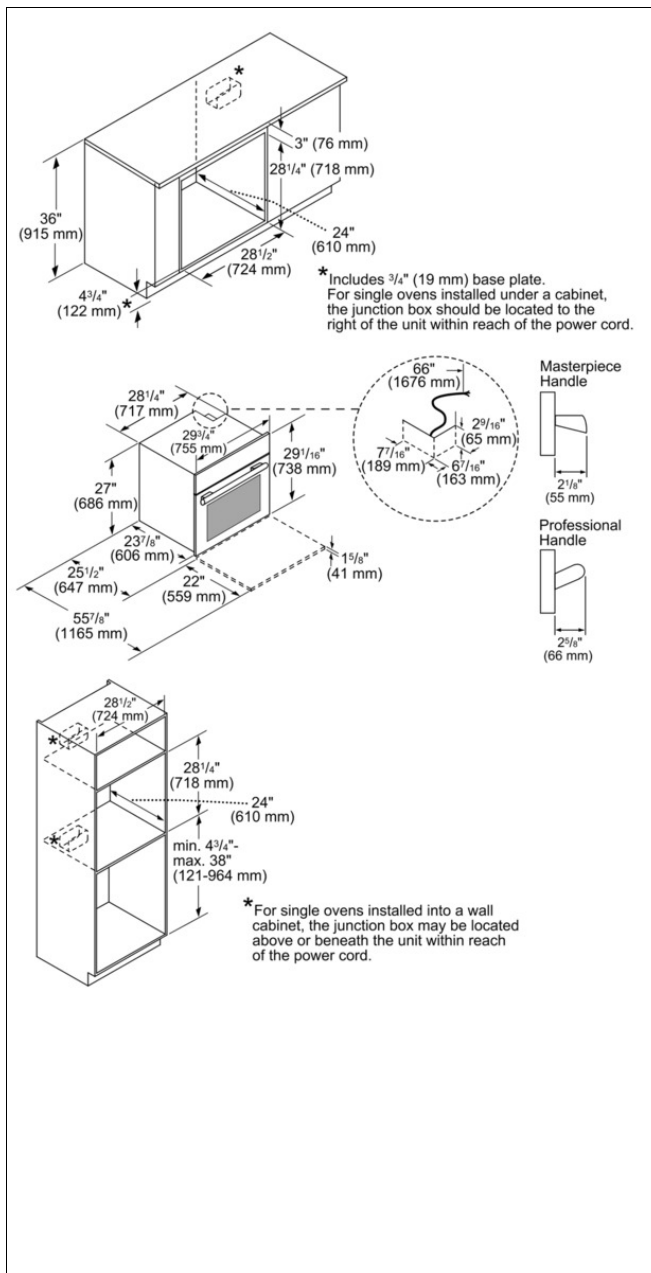
- NEW Side strips, manifold and exhaust baffle now in bold stainless steel design
- Professional style handle
- Modern angular design
- Premium glass touch control
- Striking blue full text display

Optional accessories

TLSCPRCK30 Telescopic Oven Rack 30"

825225899907

30" Masterpiece® Series Single Oven with professional handle MED301JP



Product Features

Cooking method first cavity: Bake, Broil, Convection Bake, Convection Broil, Convection Roast, Dehydrate, Pizza, Proof, Sabbath function, Speed Convection, Top heating, 1/3 bottom heat., True Convection, Warm
 Cleaning system - cavity 1: Self Clean
 Interior Lights - cavity 1: 3
 Timer settings: Alarm, Off, On, timer
 Included accessories: 3 x Oven racks /upper, 1 x Broiler pan /upper, 1 x Temperature probe /upper
 Bake Element Wattages cavity 1 (W): 2000
 Broil Element Wattages cavity 1 (W): 3600
 Convection Element Wattages cavity 1 (W): 2000

Consumption and connection features

UPC code: 82522589907
 Product color: Stainless steel
 Alternative colors available:
 Energy source: Electric
 Watts (W): 7300
 Current (A): 30
 Volts (V): 240/208
 Frequency (Hz): 60
 Approval certificates: CSA, STAR-K
 Power cord length (in): 66"
 Power cord length (cm): 1676.0
 Plug type: fixed connection, no plug
 Required cutout size (HxWxD) (in): 28 1/4" x 28 1/2" x 24"
 Required cutout size (HxWxD) (mm): 718 x 724 x 610
 Overall appliance dimensions (HxWxD) (mm): 738 x 755 x 606
 Product packaging dimensions (HxWxD) (in): 33 3/4" x 34" x 31"
 Net weight (lbs): 166
 Net weight (kg): 75.000
 Gross weight (lbs): 192
 Gross weight (kg): 87.000

2013-07-12