

# T30IF900SP

## 30-INCH BUILT-IN FREEZER COLUMN WITH INTERNAL ICE MAKER

FREEDOM® COLLECTION, PANEL-READY



### FEATURES & BENEFITS

- Freedom® Hinge enables true flush design
- Auto Door Opening provides the opening of the door with just a slight push or pull
- SoftClose® Drawers and Produce Bins for easy and controlled storage
- Sleek clean design for the perfect symmetry when paired with additional columns
- TFT control panel managing all your columns functions

### TEMPERATURE RANGES

Freezer	-11°F (-24°C) to 7°F (-14°C)
SuperFreeze®	-22°F (-30°C) for approximately 52 hours
Energy Saving (Economy) Mode	3°F (-16°C)

### GENERAL PROPERTIES

Panel Ready	Yes
Reversible Door Swing	Yes
SoftClose® Door	Yes*
SoftClose® Drawers	Yes
Lighting	LED Sidewall and Theater Lighting
Freezer Shelves	4
Adjustable Shelves	3
Shelf Material	Glass w/Aluminum Profile
Full Extension Drawers @ 115° Door Opening Angle	Yes
General Use Drawer	2
Door Bins	4
External LED Proximity Sensor	No
Oversized Dispenser Opening	No
Chilled Water, Crushed and Cubed Ice	No
Rapid Water Replenishment System	No
Ice Maker with Diamond Ice System	Yes
Door Open Alarm	Yes
Open Door Assist	Yes
Special Modes	Sabbath, Economy, Vacation

### CAPACITY

Total Capacity (cu. ft.)	15.8 cu. ft.
--------------------------	--------------

### PERFORMANCE

Dedicated Evaporator & Compressor System	Yes
SuperFreeze®	Yes
Defrost Process	Frost-Free

### TECHNICAL DETAILS

Watts (W)	350 W
Current (A)	15 A
Volts (V)	110-120 V
Frequency (Hz)	60 Hz
Power Cord Length (in.)	118
Plug Type	120V-3 Prong

### DIMENSIONS & WEIGHT

Appliance Dimensions (H x W x D) (in.)	84"*** x 29 3/4" x 24"
Required Cutout Size (H x W x D) (in.)	84" x 30" x 25"
Net / Gross Weight (lbs)	362 / 398 lbs

### EFFICIENCY

ENERGY STAR® Qualified	Yes
Annual Energy Consumption	493 kWh

\*To verify if you have a refrigeration unit with Soft-Close capability please contact our customer team by calling 1-800-735-4328.  
 \*\*Height adjustable + / -1/2" (+ / -13 mm)

# T30IF900SP

## 30-INCH BUILT-IN FREEZER COLUMN WITH INTERNAL ICE MAKER

FREEDOM® COLLECTION, PANEL-READY

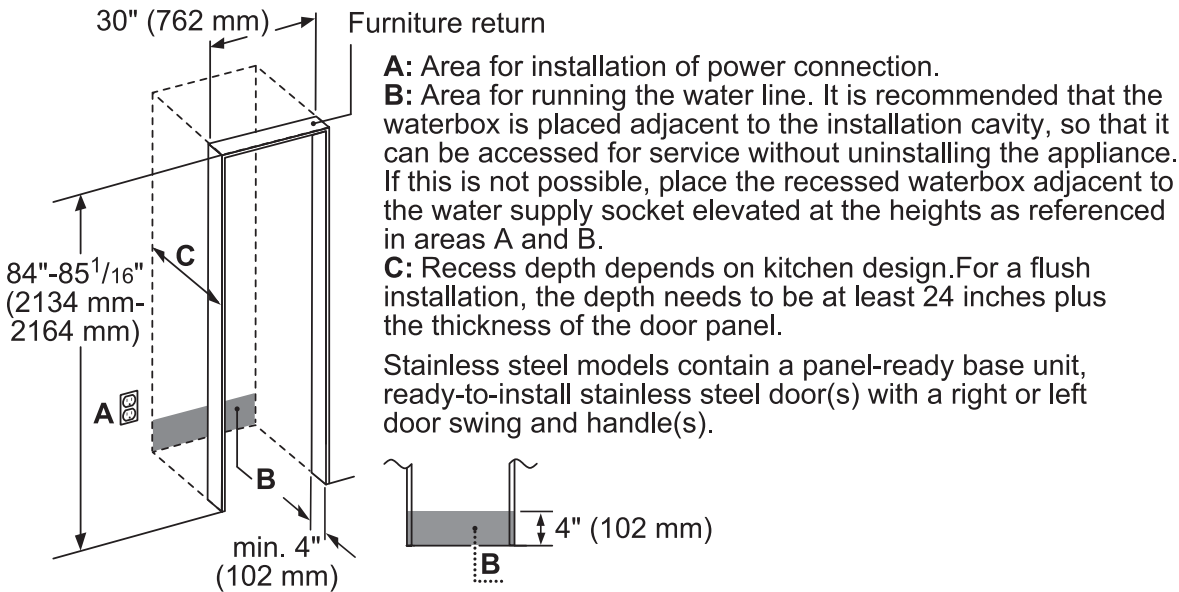


### WARRANTY

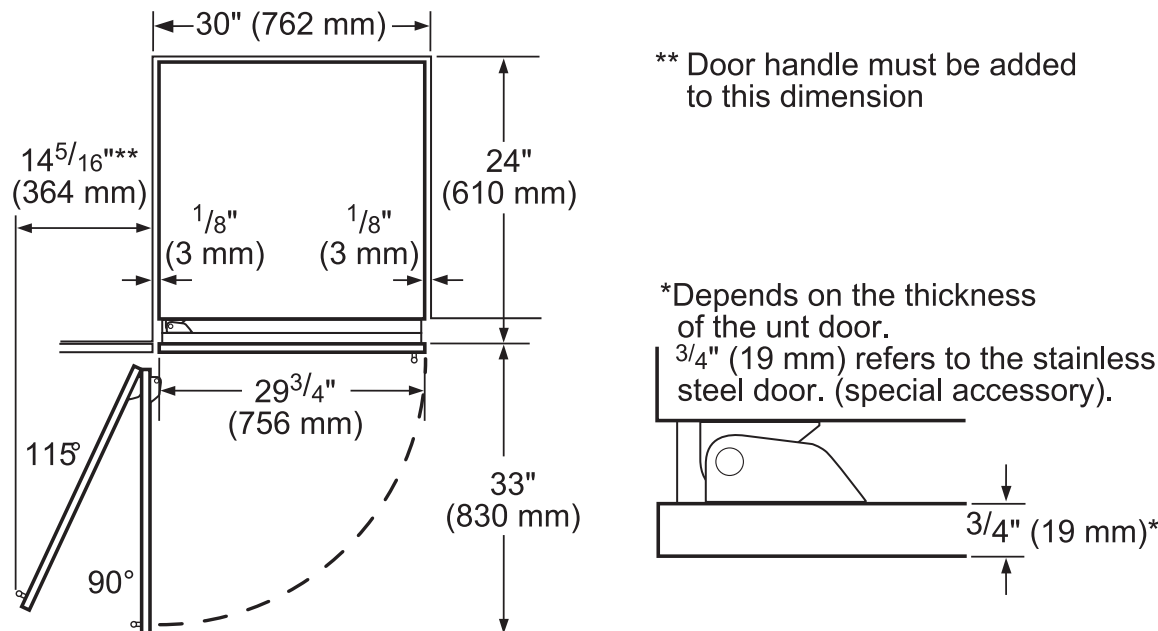
Limited, Entire Appliance, Parts and Labor on Any Part of the Refrigerator that Fails Because of a Manufacturing Defect	2 Year
Limited Warranty for Sealed Refrigeration System*; Parts and Labor	3rd to 6th Year
Limited Warranty for Sealed Refrigeration System*; Parts Only	7th to 12th Year
Limited Warranty for Stainless Steel Rust-Through	Lifetime

\*Sealed refrigeration system includes compressor, evaporator, condenser, dryer / strainer and connection tubing

### CUTOUT DIMENSIONS



### TOP VIEW CLEARANCE



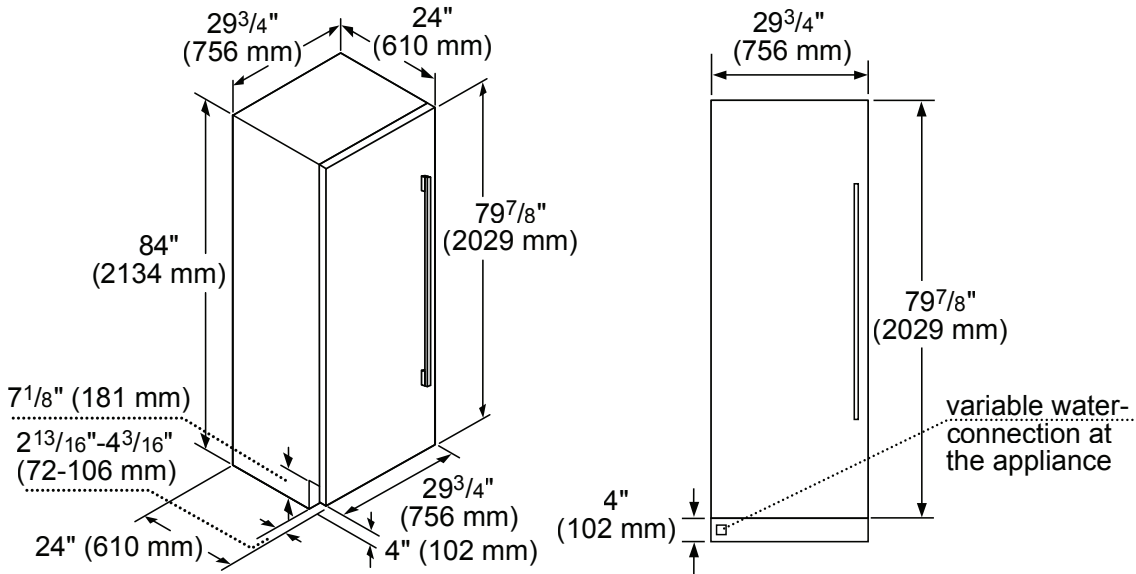
# T30IF900SP

## 30-INCH BUILT-IN FREEZER COLUMN WITH INTERNAL ICE MAKER

FREEDOM® COLLECTION, PANEL-READY



### PRODUCT AND PANEL DIMENSIONS



### ACCESSORIES (OPTIONAL)

#### FLAT STAINLESS STEEL DOOR PANELS

30-Inch Flat Stainless Steel Door Panel  
Without Dispenser



-  TFL30IR800  
For use with Handle
- TFL30IR905\*  
Handleless

\*Available Summer 2019



**NOTE:** Handleless Panels should not be installed on units without the Soft-Close capability. If you are uncertain if you have a refrigeration unit with Soft-Close capability please contact our customer team by calling 1-800-735-4328.

#### HANDLES

NOTE: Choose one handle for each column, choose 2 handles for each 2-door bottom freezer and choose 3 handles for each French Door bottom freezer.

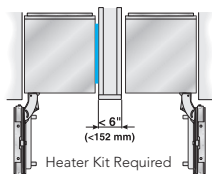
-  PR36HNDL20  
36-Inch Professional Series Handle
- PR30HNDL20  
30-Inch Professional Series Handle
-  MS36HNDL20  
36-Inch Masterpiece® Series Handle
- MS30HNDL20  
30-Inch Masterpiece® Series Handle

#### FILTERS

-  REPLFLTR10  
Freedom® Water Filter  
Replacement water filter for use in all freezer and bottom freezer models
-  SCRNFLTR10  
By-Pass Filter for use with existing in-home water filtration systems in all freezers and bottom freezer models

#### STORAGE

-  ICEBUCKETL  
Large Ice Bucket



#### HEATRKIT20 – 13W @ 120V

Freedom® Heater Kit

When two appliances are installed side-by-side a sealing kit must be used. For combinations that involve a freezer column, this kit is included. For all other (non-traditional, i.e. two wine columns, two bottom freezers, etc.) side-by-side combinations or instances where any appliances are installed less than 6-inches (152 mm) apart from one another but not connected side-by-side, purchase this kit. This kit is recommended for use with any installation in areas that are subject to humidity, or located next to an outside wall.

These warranties give you specific legal rights and you may have other rights that vary from state to state. Full warranty and limited warranty from date of installation. For complete warranty details, refer to your Use & Care manual, or ask your dealer.

Specifications are for planning purposes only. Refer to installation instructions and consult your countertop supplier prior to making counter opening. Consult with a heating and ventilation engineer for your specific ventilation requirements. For the most detailed information, refer to installation instructions accompanying product or write to Thermador indicating the model number. Specifications are correct at time of printing. Thermador reserves the right to change product specifications or design without notice. Some models are certified for use in Canada. Thermador is not responsible for products that are transported from the U.S. for use in Canada.