

INSTALLATION
GUIDE

GUIDE
D'INSTALLATION

GUIA DE
INSTALACION

Model/Modele/Modelo

T24UW820LS

T24UW810LS

T24UW820RS

T24UW810RS

T24UW800LP

T24UW800RP

Glass Door Wine Reserve
Cellier avec porte en verre
Enfriador de vinos

Thermador[®]

IMPORTANT: Before you begin, read these instructions completely and carefully.

INSTALLER: Please leave this manual with owner for future reference.

OWNER: Save these installation instructions for local electrical inspector's use and for future reference.

Table of Contents

| | |
|---|-----------|
| Introduction | 3 |
| - Inspect the Wine Reserve | |
| Tools needed for installation | 4 |
| Materials supplied | 4 |
| Installing the appliance | 5 |
| - Transporting | |
| - General measures | |
| - Installation location | |
| - Installing Side-by-Side | |
| Ventilation | 9 |
| Connecting the appliance | 9 |
| - Electrical connection | |
| Door opening | 11 |
| Installing the anti-tip-brackets | 13 |
| Installing the overlay frame | 17 |
| Customer Service Information | 21 |
| Addendum A | 22 |

Introduction

These installation instructions are intended for use by qualified installers.

In addition to these instructions, the appliance shall be installed:

- In the United States, in accordance with the National Electric Code/State and municipal codes and/or local codes.
- In Canada, in accordance with the Canadian Electric Code C22.1 – latest edition/Provincial and Municipal codes and/or local codes.

Please read these installation instructions completely and carefully.

They will save you time and effort and help to ensure optimum performance.

Be sure to observe all listed warnings and cautions.

Look for the triangles with exclamation marks inside.



WARNING:

This indicates that death or serious injury may result due to non-observance of this warning.



CAUTION:

This indicates that minor or moderately severe injury may result due to non-observance of this warning.

Important

- **NEW INSTALLATION** – If the appliance is a new installation, most of the work must be done before the unit is moved into place.
- **REPLACEMENT** – If the appliance is replacing another appliance, the connections for the appliance being replaced **must be checked for compatibility** with the new unit and replaced as necessary.

Inspect the Wine Reserve

Remove all tape, packaging and plastic covers.

After unpacking the appliance and prior to installation, thoroughly inspect the Wine Reserve for possible freight or cosmetic damage. Report any damage immediately.

NOTE: Please do not discard any bags or items that come with the original package until after the entire installation has been completed!

Tools needed for installation



Tape Measure



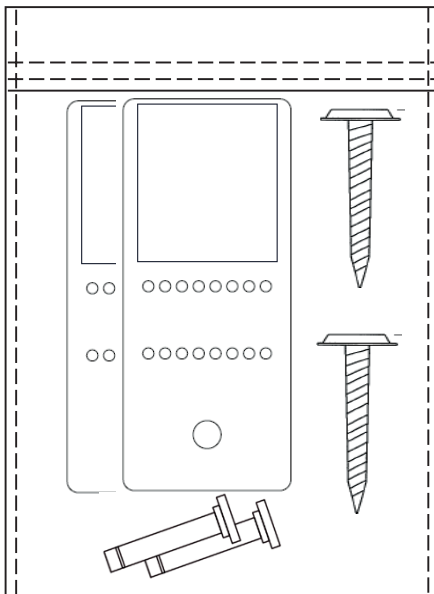
Philips Screwdriver



Level

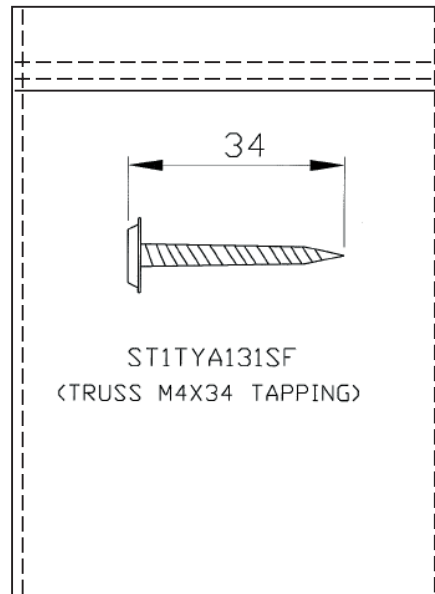
These are the tools that you may need for the installation of the appliance. However, if you need to modify the counter or cabinetry to fit the unit, you may need other tools to make counter/cabinetry modifications before installing the appliance.

Materials supplied



Anti-tip-bracket. 2 pieces.
Screws: 2 pieces.
Door Stopper Pin: 2

1 Insulating Foam
(Not illustrated) 20 1/2"
(520mm) x 29 1/8" (740mm)
x 1/8" (3mm)



Screws for Overlay Panel: ST1TYA131SF
(TRUSS M4X34 TAPPING). 8 pieces.
ONLY FOR T24UW800LP MODELS.

Installing the appliance

Most of the installation work must be done before the Wine Reserve is moved into place. Have a technician install and connect the appliance according to the enclosed installation instructions.

WARNING:

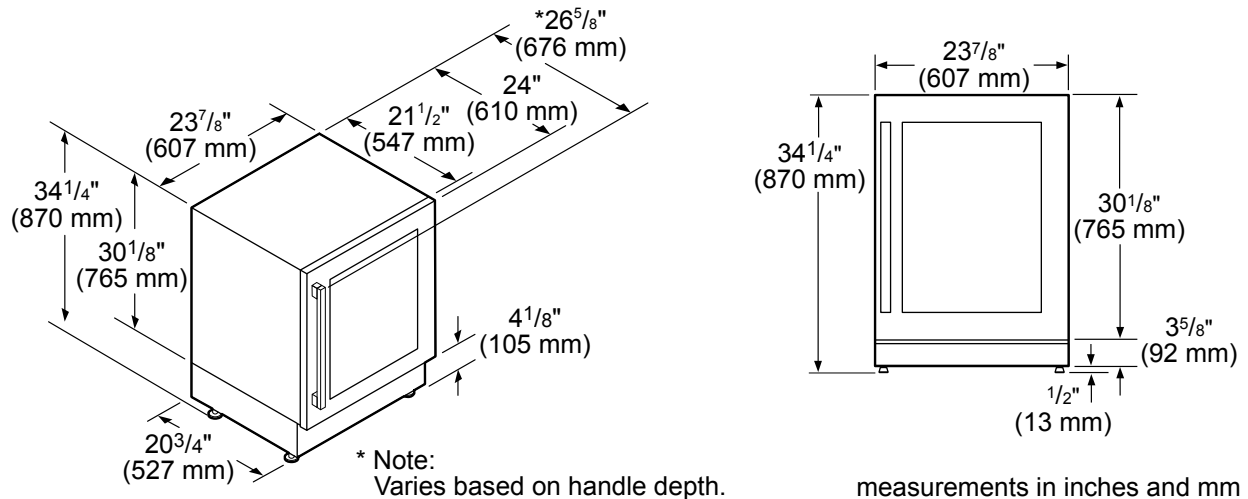
Do not install this appliance:

- Outdoors
- In an environment with dripping water
- In rooms where there is a risk of frost

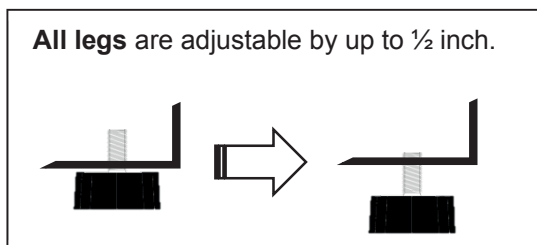
Transporting

The appliance is heavy and must be handled with caution during transportation and installation. Because of the weight and dimensions of the appliance, at least two persons are necessary to move the appliance into position securely and avoid injuries to people or damage to the appliance.

General measures



Note: With the legs fully retracted the product has a minimum dimension of 34 1/4" from top to bottom. The legs can be extended up to 1/2".



Installation location

A dry, well ventilated room is suitable as an installation location. The installation location should not be exposed to direct sunlight and not placed near a heat source, e.g. a cooker, radiator, etc.

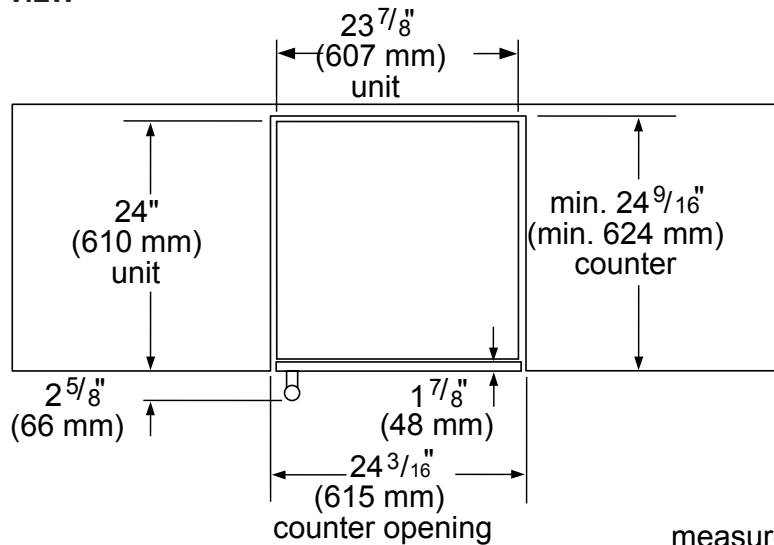
If installation next to a heat source is unavoidable, use a suitable insulating plate or observe the following minimum distance from the heat source:

- To electric or gas oven/range $1\frac{1}{4}$ " (3 cm).
- To an oil or coal-fired cooker $11\frac{13}{16}$ " (30cm).
- To another Wine Reserve or Refrigerator 1" (2.54cm)

The floor of the installation location must not give way; if necessary, reinforce floor. The appliance must be upright to function correctly.

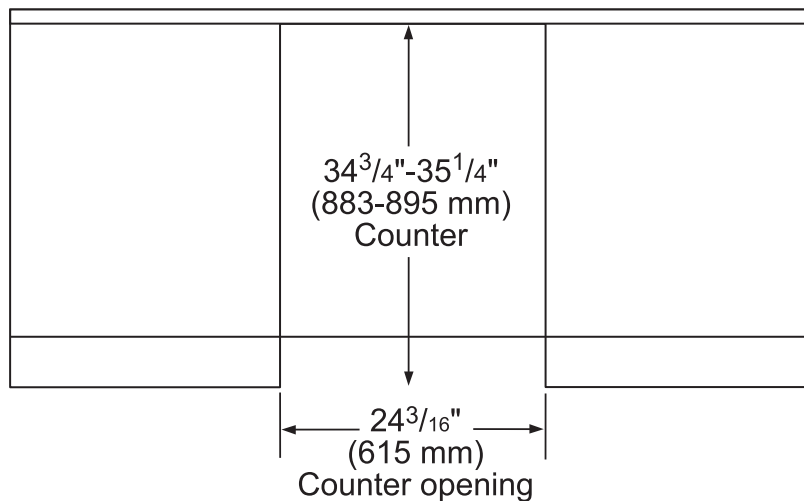
For proper operation and appearance of the unit, the cabinet opening should be square and have dimensions as shown in the next diagrams

TOP VIEW



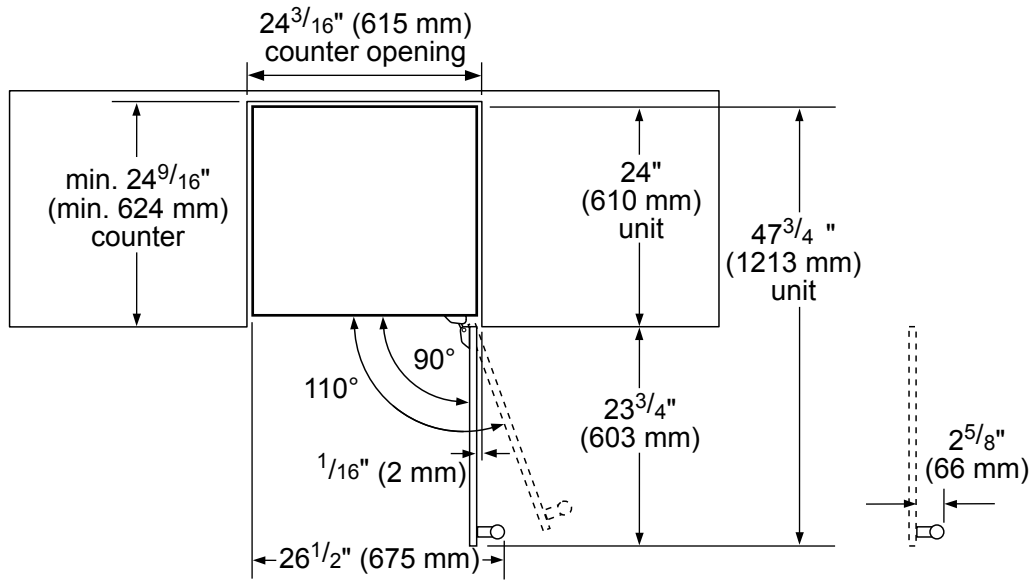
measurements in inches and mm

FRONTAL VIEW



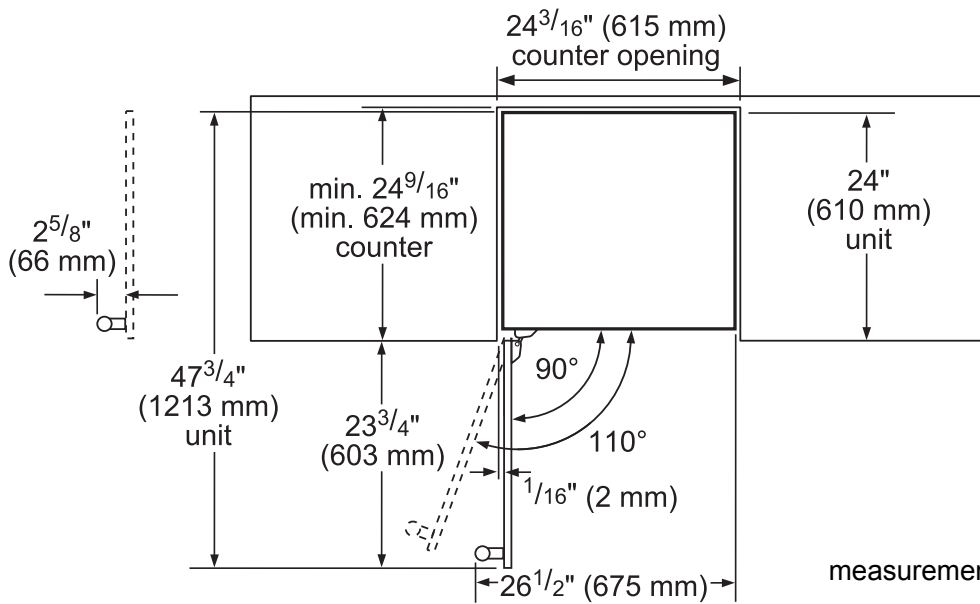
measurements in inches and mm

TOP VIEW OPEN RIGHT SWING



measurements in inches and mm

TOP VIEW OPEN LEFT SWING

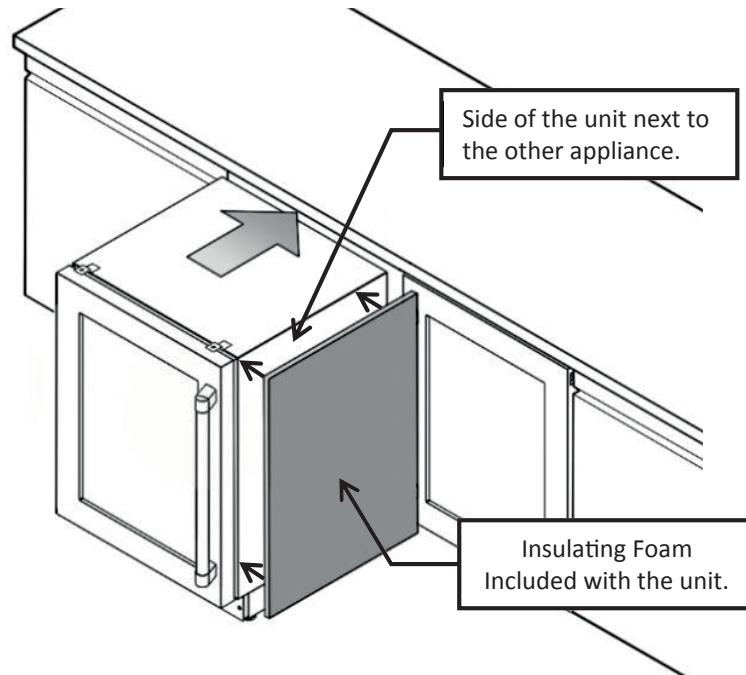


measurements in inches and mm

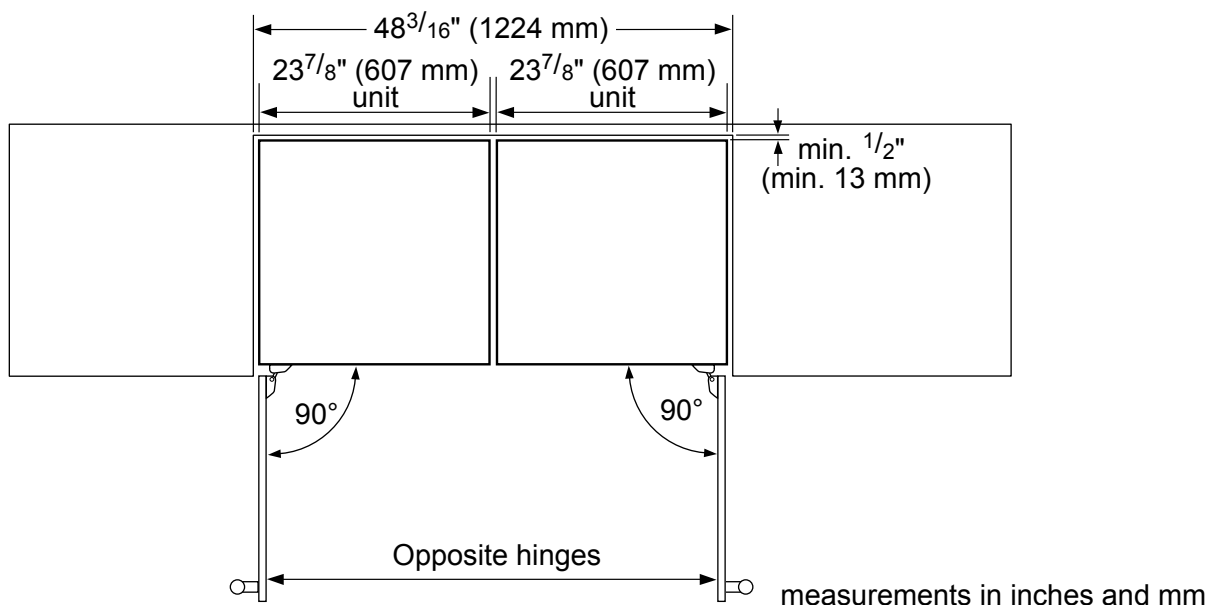
Installing Side-by-Side

The appliance can be installed next to another Thermador appliance. Follow the next dimensions and notes for the correct installation of the appliance in a side-by-side layout.

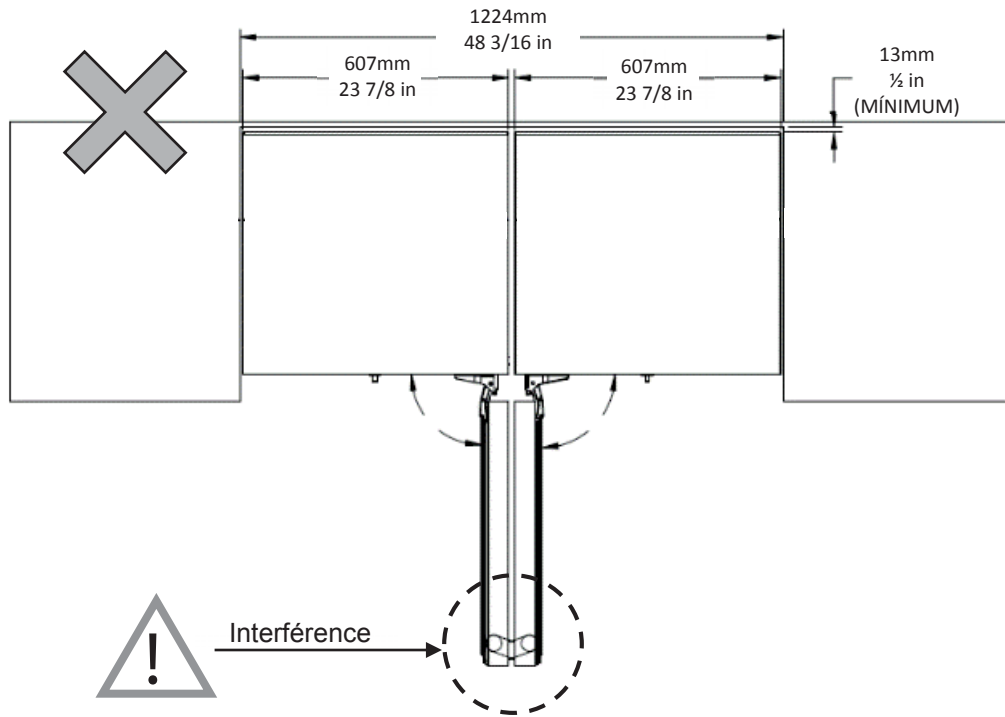
NOTE: Before placing the unit into the niche, adhere the Insulating Foam (included with the product) on the side of the unit that will be placed next to the additional appliance. Be sure that the Insulating Foam is even with the surface of the unit and that there are no bubbles or bumps on the Insulation Foam after adhering it to the unit.



Install the appliances in a “French Door” configuration; appliances with Left Hinge should be opposite to another with Right Hinge.



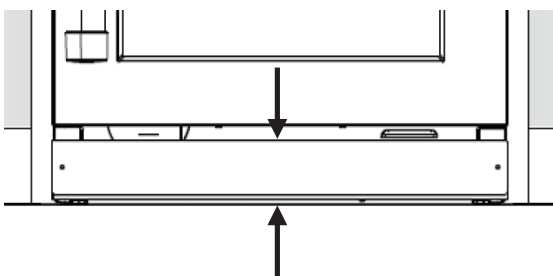
Do not place one appliance with Right Hinge next to an appliance with a Left Hinge.



Ventilation

The Wine Reserve unit is ventilated only at the Toe-Kick in the base. Never cover that area or place anything in front of it. Otherwise the refrigeration cooling performance will be affected and the unit must work harder increasing power consumption.

Additionally, make certain **all 4 leveling legs are extended** (unit height approximately 34 $\frac{3}{4}$ "), so that there is sufficient airflow underneath the appliance.



Connecting the appliance

After installing the appliance, wait at least 1 hour to turn on the appliance. During transportation the oil in the compressor may have flowed into the refrigeration system.

Before switching ON the appliance for the first time, clean the interior of the appliance (see chapter "**Cleaning the appliance**" in the Use & Care Guide).

Electrical connection

WARNING:

These installation instructions are intended for use by qualified installers.

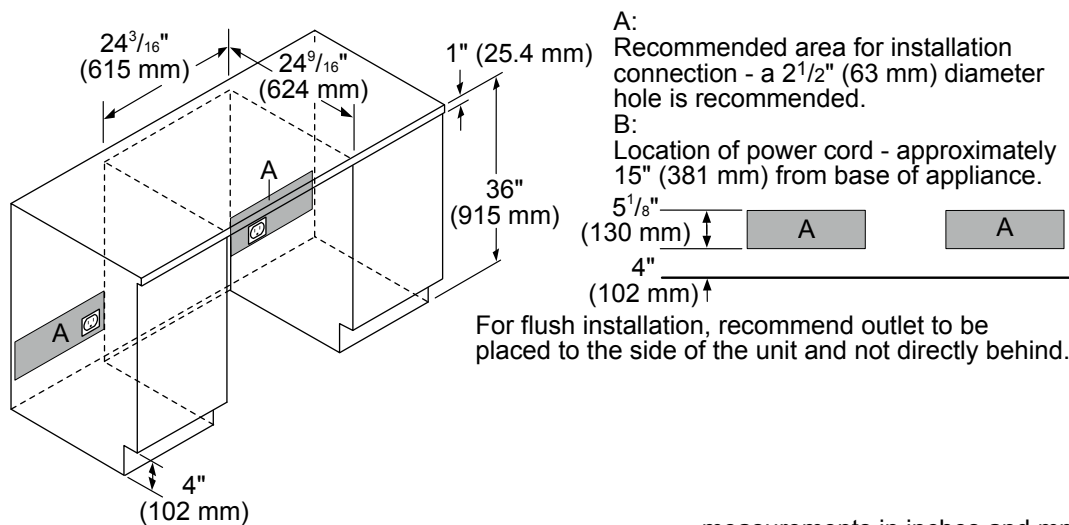
WARNING:

Avoid the risk of an electric shock!
Insert into a grounded receptacle.
Never remove grounding phase.
Do not use any adapters.
Do not use any extension cords.

WARNING:

It is the customer's responsibility to insure that the appliance installation is in compliance with all national and local electrical codes and ordinances. Non-compliance with these instructions may result in death, fire or an electric shock.

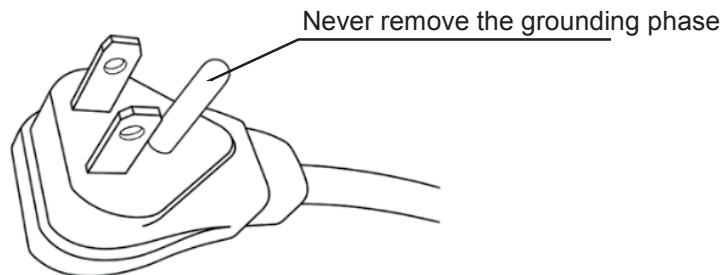
The receptacle must be near the appliance, 61" (1550mm) to the right of the appliance or 37" (940mm) to the left of the appliance, and also freely accessible following installation of the appliance for future service.



measurements in inches and mm

The appliance complies with protection class I. Connect the appliance to 115 V/ 60Hz alternating current via a correctly installed receptacle with grounded terminal.

The appliance comes with a UL registered 3-wire power cord NEMA 5-15p type. The appliance requires a 3-pole receptacle.

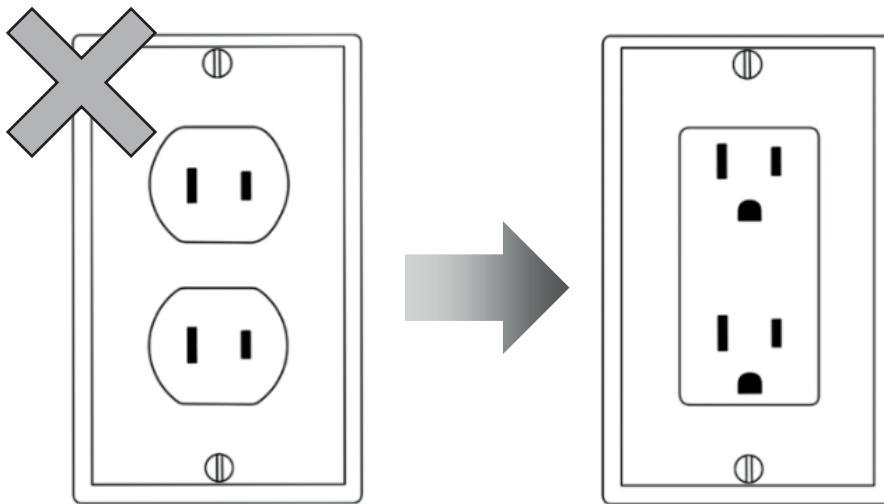


⚠ WARNING:

Never connect the appliance to electronic energy saver plugs. This appliance can be used with mains and sine-controlled inverters. Main controlled inverters are used for photovoltaic systems which are connected directly to the national grid. Sine-controlled inverters must be used for isolated applications (e.g. on ships or in mountain lodges) which are not connected directly to the national grid.

The appliance requires a 3-pole socket. The socket should be connected by an electrician only. Where there is a 2-pole standard wall socket, it is the responsibility of the customer to have this socket replaced with a correctly grounded 3-pole wall socket. Do not use any adapter plugs.

Be sure that the location of your Wine Reserve has a near and accessible electric socket.



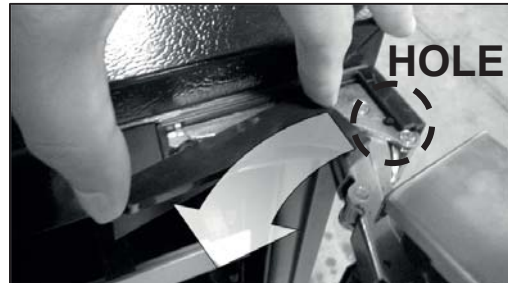
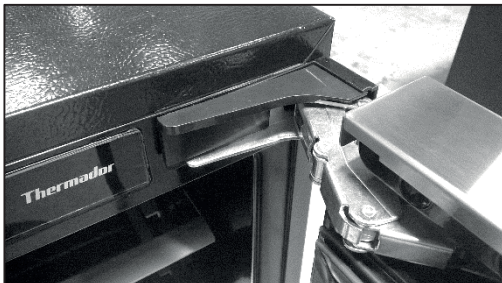
2-pole standard wall socket must be replaced with a 3-pole grounded socket. Do not use adapters.

Door opening.

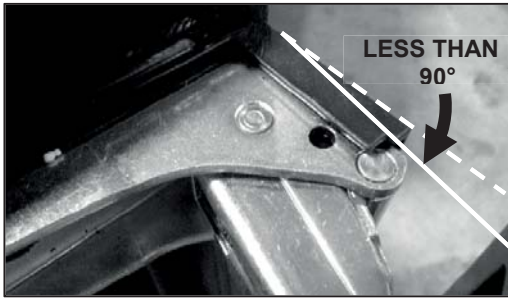
The door of your Wine Reserve is configured by default to have an aperture up to 110°. This makes for easy access to the wine racks for loading or cleaning. However, if the appliance is installed under counter, it is recommended to install the Door Stopper Pins in the hinge to avoid hitting the wall, cabinets or another appliance installed next to the Wine Reserve.

To install the Door Stopper Pin follow the next instructions:

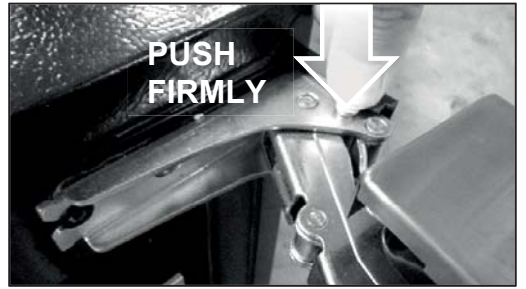
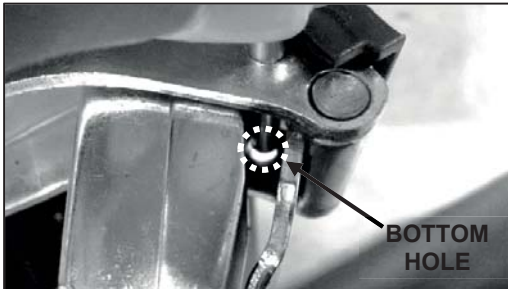
1. Remove the Top Hinge Cover by pulling it to the opposite direction of the Hinge. This will uncover the Hinge mechanism and the hole for the Door Stopper Pin.



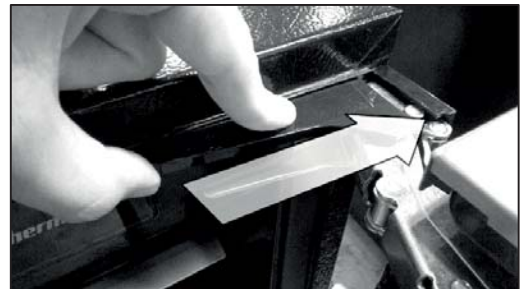
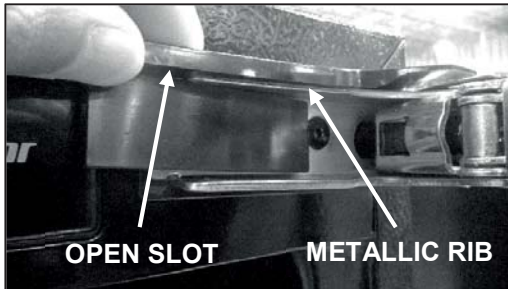
- Position the door at less than 90° so the mechanism of the hinge does not obstruct the hole and insert the Door Stopper Pin into the hole.



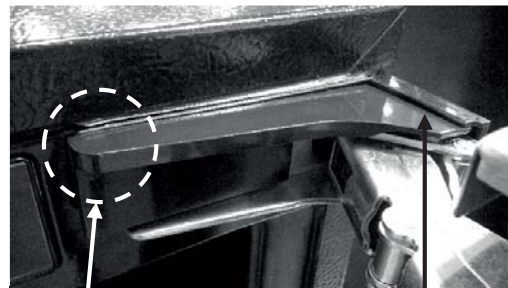
- Align the Pin with the bottom hole of the hinge and push the Pin firmly until it gets locked.



- Now place back the Hinge Cover to protect the Hinge mechanism. First, be sure that the metallic rib of the hinge is into the open slot of the Hinge Cover. Then, push and slide the Cover firmly in the direction of the Hinge until it locks into its original place.

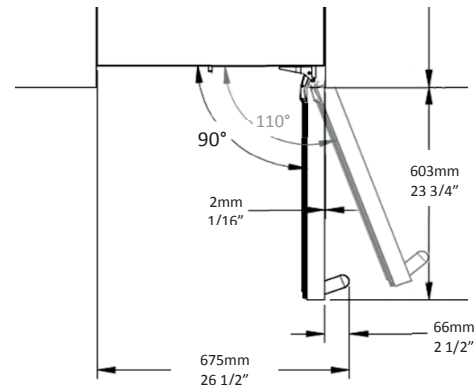


- Be sure that the Hinge Cover is locked in its place. It is important to place the Hinge Cover back because it helps to protect the mechanism of the Hinge and also your fingers from the mechanism.



The Cover locks here

And locks under this tab.



Now, the door opens only 90°

Installing the anti-tip-brackets

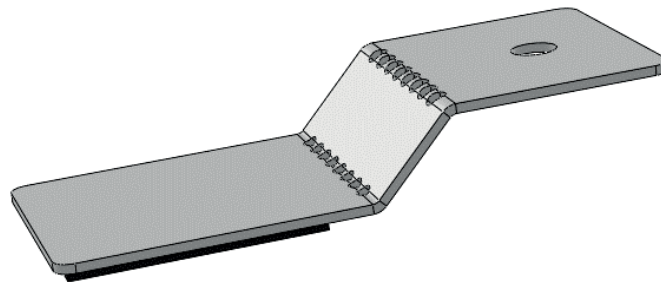
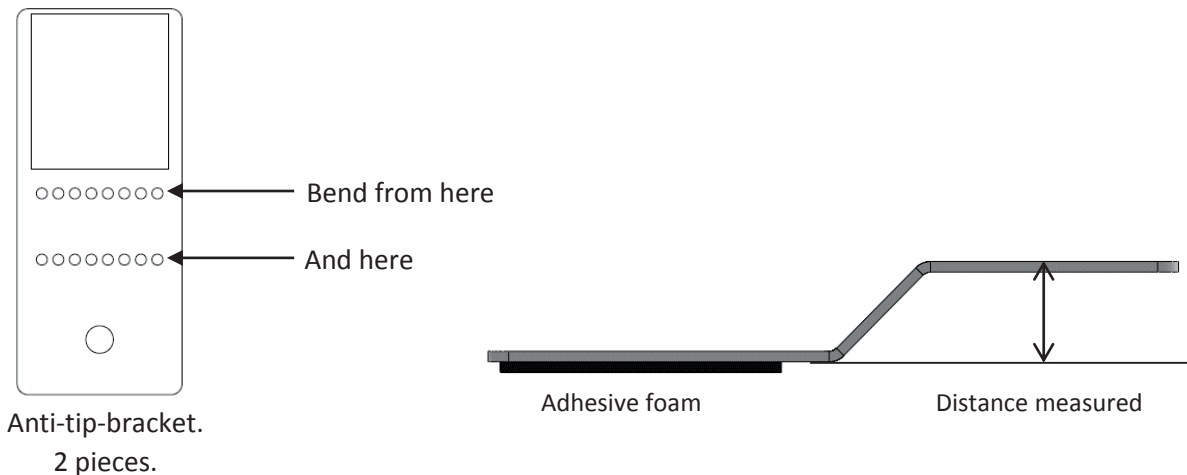
The appliance includes two anti-tip-brackets. If your cabinetry is not designed for the specific dimensions of your appliance, or if you plan to use the appliance as a free-standing unit, you should use these brackets to avoid your appliance tilting due to unbalanced overweight in situations where the door is open and several Wine Racks are pulled out.

WARNING

To avoid the appliance tilting due to unbalanced overweight do not pull out all the Wine Racks at the same time. Always push the Wine Rack into the cabinet before pulling out another Wine Rack.

For free-standing use

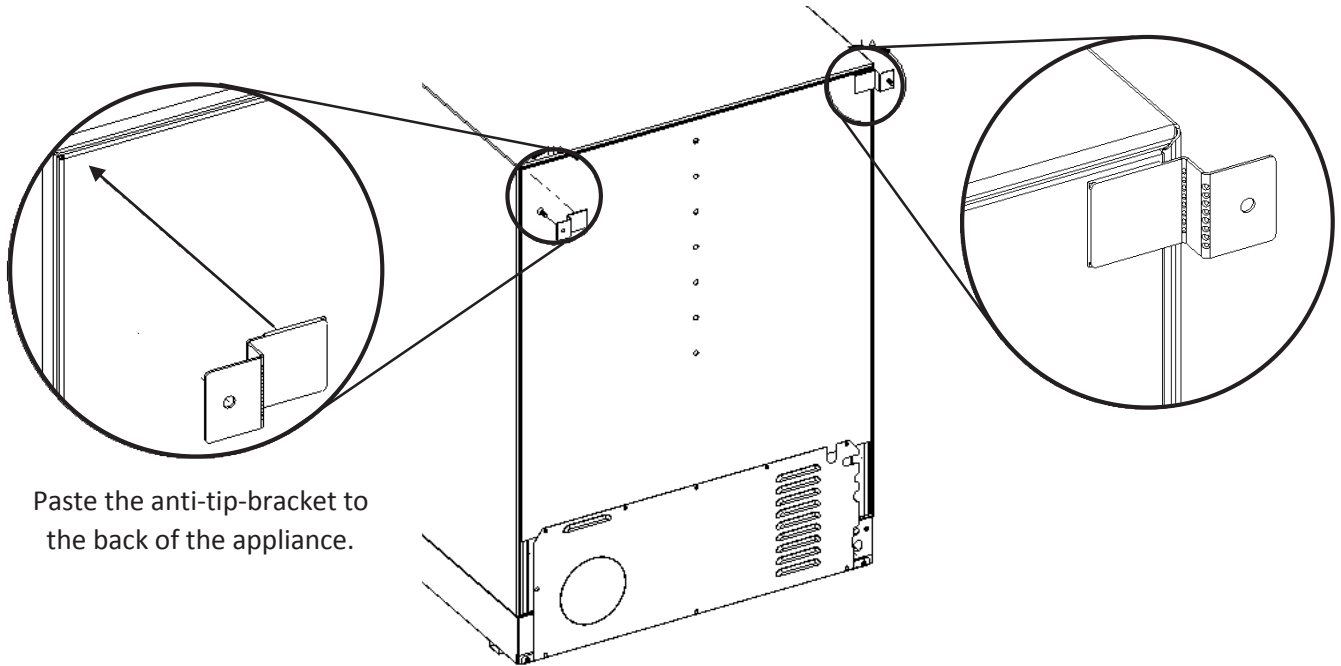
1. Consider the distance necessary for the appliance to be flush with the front of your cabinetry. If there is no cabinetry, put the unit close to the wall, then take the measurement of the space at the back, between the unit and the wall.
2. Based on the measured distance between the back of the unit and the wall, bend the anti-tip bracket (included with the unit) from the pointed lines to form a “step” with the same Distance measured.



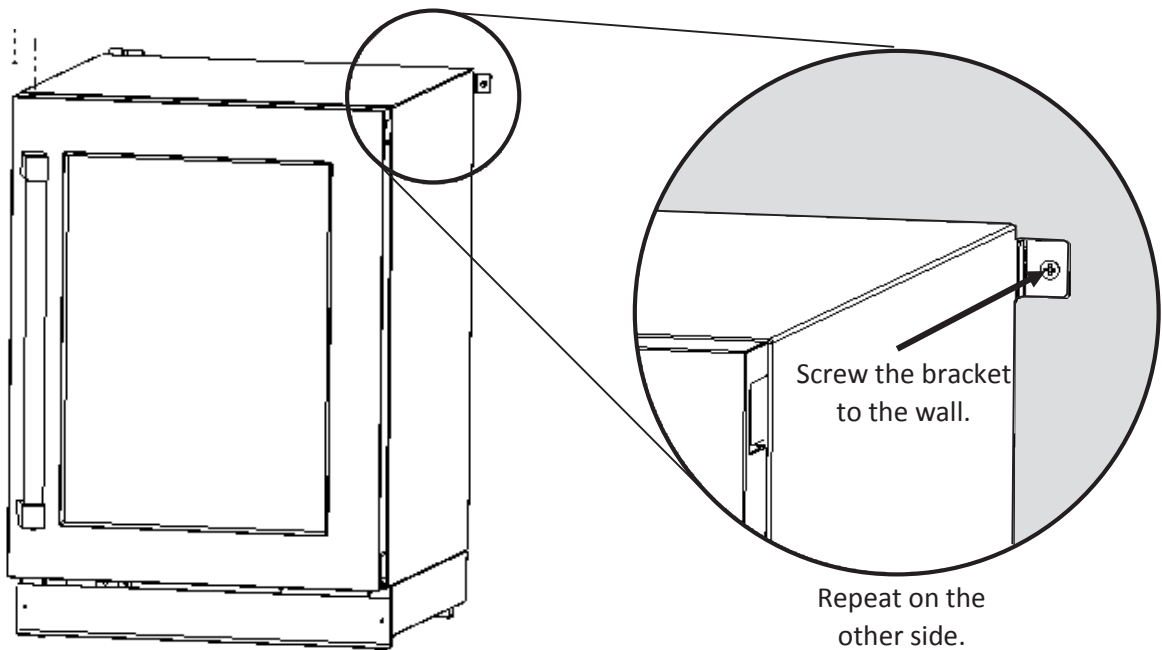
Resultant formed “step”.

NOTE: The adhesive foam must be at the bottom of the step, never on the reverse side.

3. Peel the adhesive foam and paste the anti-tip-bracket at both sides on the back of the appliance as shown in the illustrations.

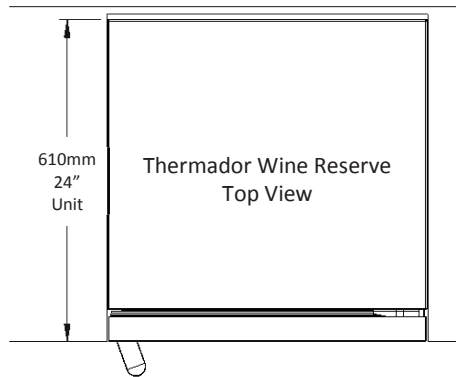


4. With the anti-tip-brackets pasted on the back of the appliance, slide the appliance to the wall until the anti-tip-bracket is touching the wall. Using the screws provided, fasten the anti-tip-bracket to the wall for both sides.
NOTE: Do not fasten the unit to dry wall. Be sure to attach the unit to a solid surface.

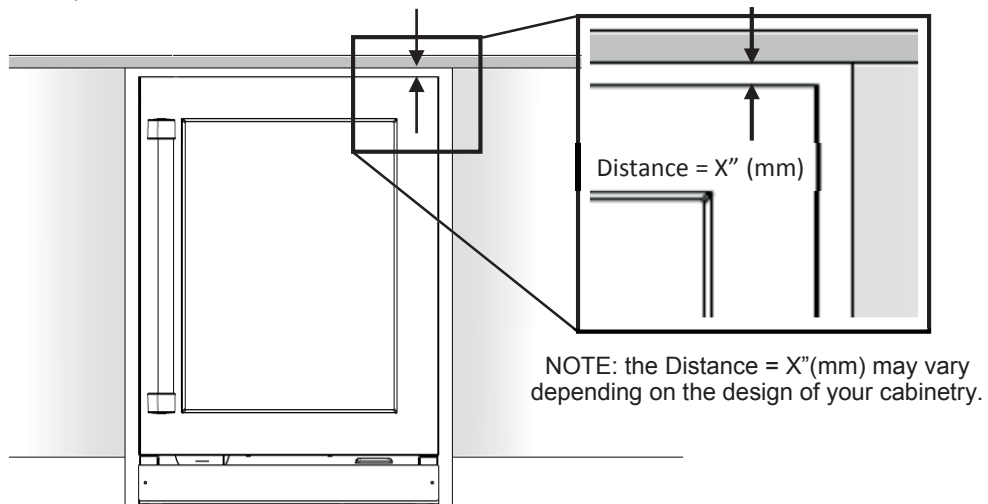


For under counter use

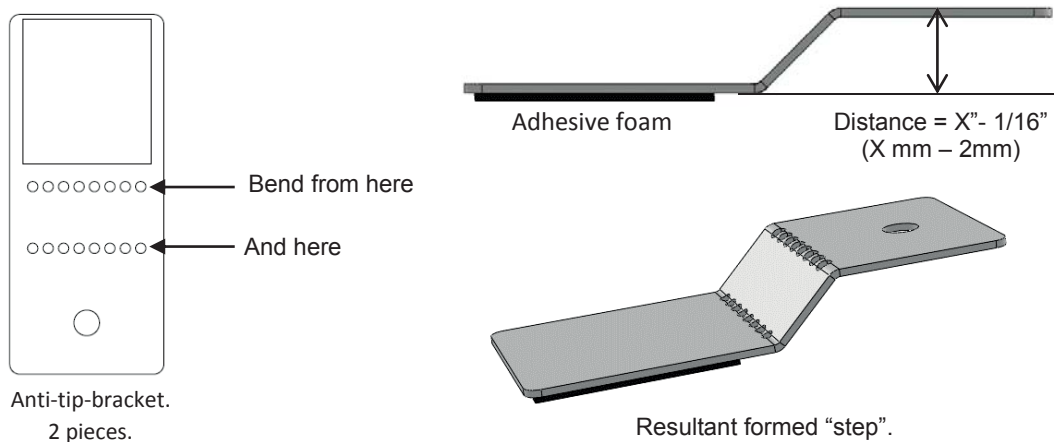
1. Consider the distance necessary for the appliance to be flush with the front of your cabinetry.



2. Take the measurement from the top of the cabinet of the unit to the bottom of the counter. The measurement X"(mm) may vary depending on the design of the counter, extension of the legs of the product, etc.

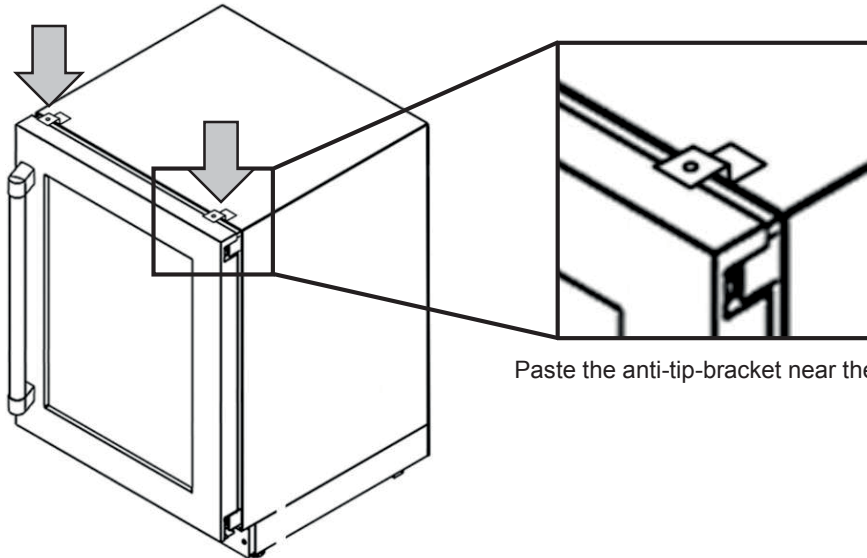


3. Based on the Distance = X" (mm) between the appliance and the counter, bend the anti-tip-brackets included with the appliance on the pointed lines to form a "step" 1/16" (2mm) smaller than the Distance = X" (mm) measured.



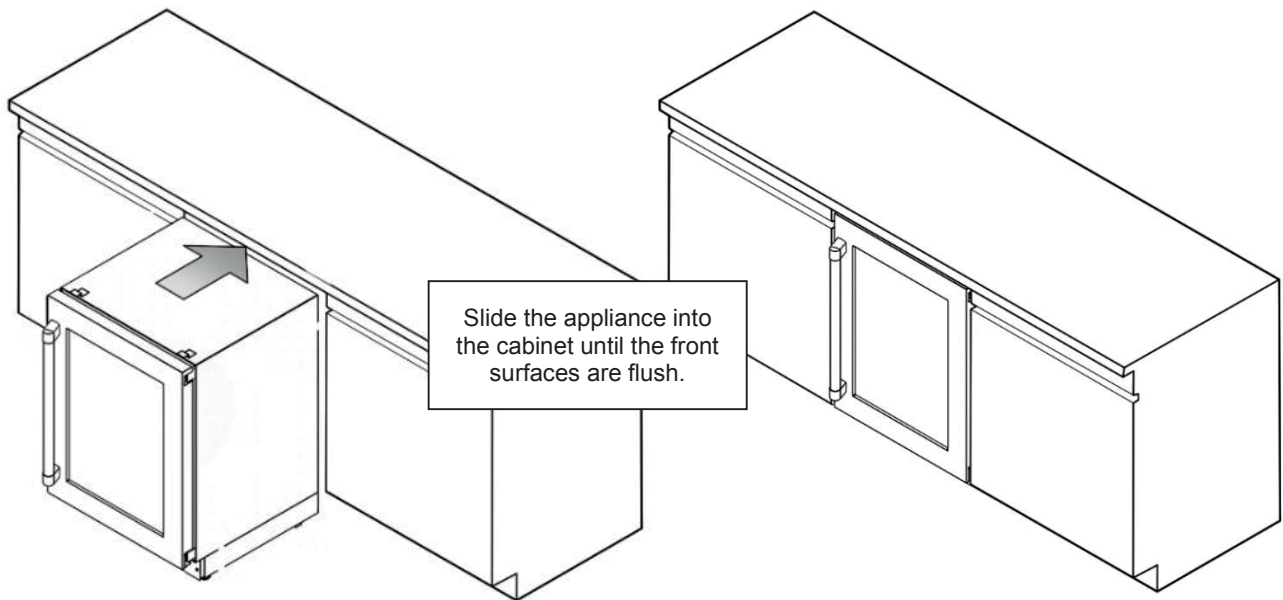
Resultant formed "step".
NOTE: The adhesive foam must be at the bottom of the step, never on the reverse side.

4. Peel the adhesive foam and paste the anti-tip-bracket at the front on the top of the cabinet of the appliance, near the corners as shown in the picture:

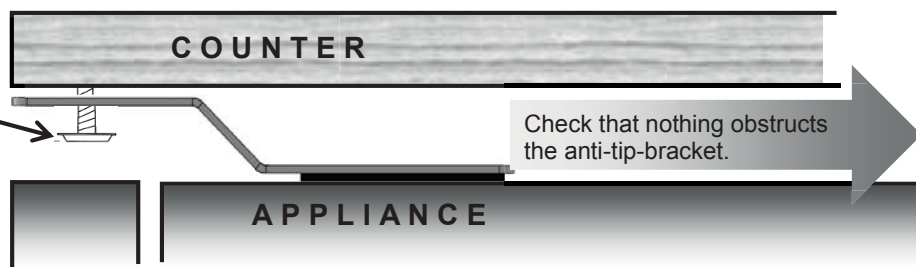


Paste the anti-tip-bracket near the corners.

5. Slide the appliance into the cabinet until the front of the appliance is flush with the front of the cabinetry. Check that nothing interferes or obstructs the anti-tip-bracket while sliding under the counter.



Using the screws provided, screw the anti-tip bracket to the counter to fix the unit.



Installing the overlay frame

(For T24UW800LP and T24UW800RP models only)

If you plan to install a custom overlay frame, you will need to create the frame yourself or consult a qualified cabinetmaker or carpenter.

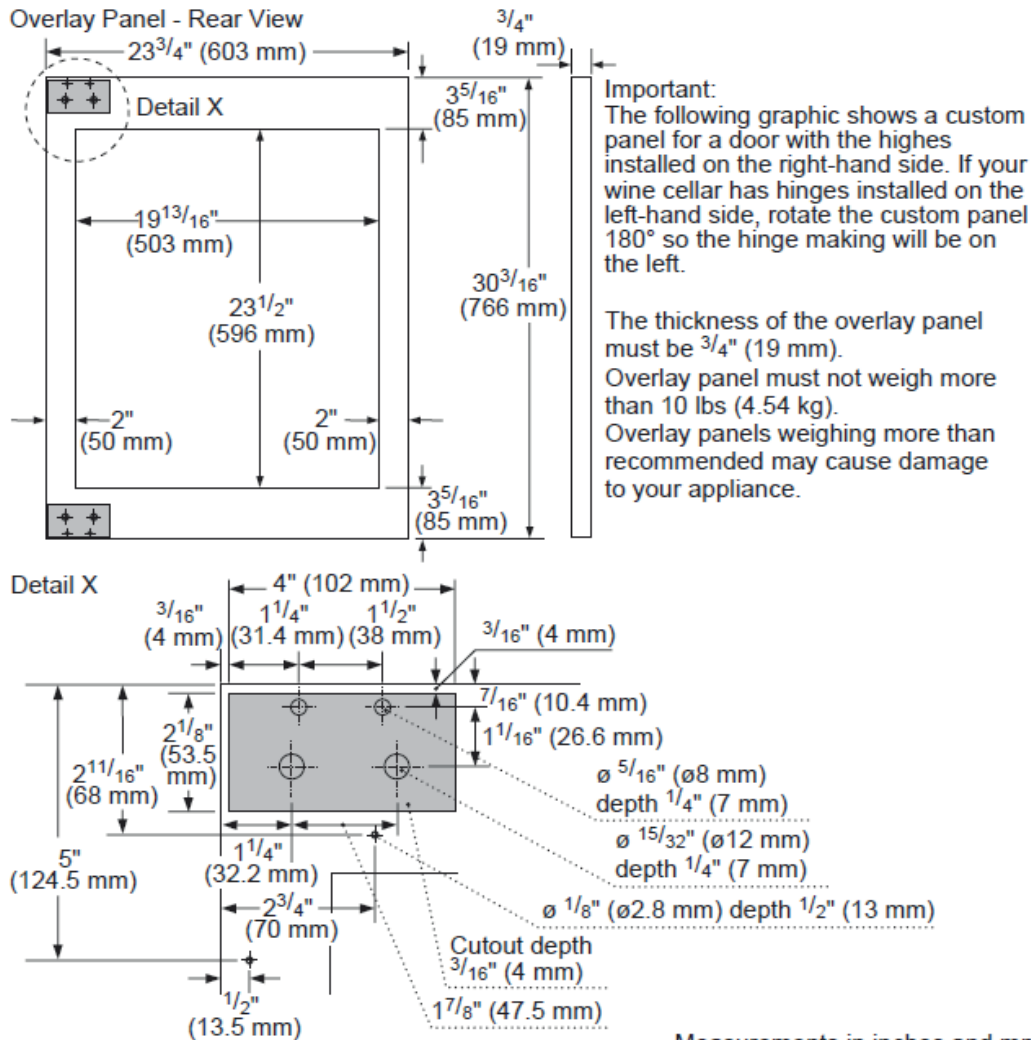
A printable template to help with custom panel construction is available on the Thermador website.

IMPORTANT:

- The thickness of the overlay frame must be $\frac{3}{4}$ " (19mm).
- Overlay frame must not weight more than 10lbs (4.54kg).
- Overlay frame weighting more than recommended may cause damage to your appliance.
- To install the frame, use only the screws included in the "installation kit".

Create the custom overlay frame using the dimensions shown.

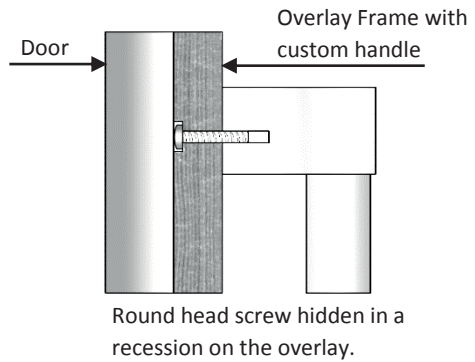
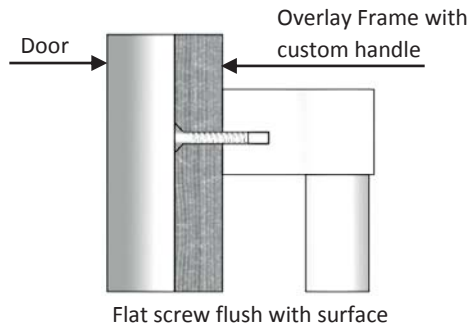
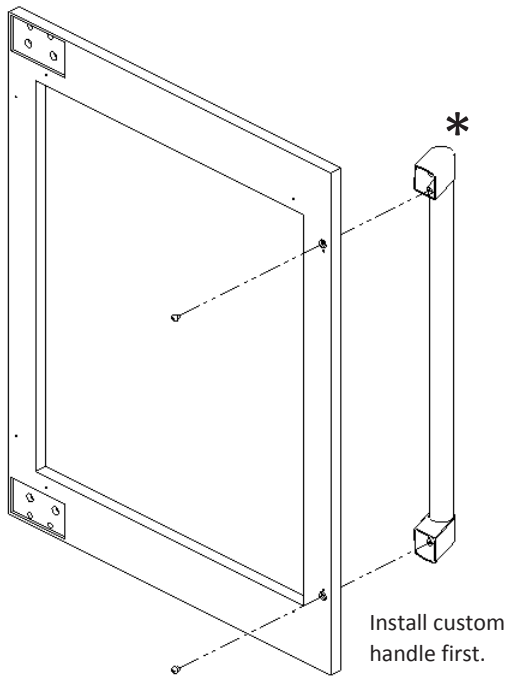
IMPORTANT: The following graphics shows a custom frame for a door with hinges installed on the right-hand side. If your Wine Reserve has hinges installed on the left-hand side, rotate the custom frame 180° so the makings will be on the left.



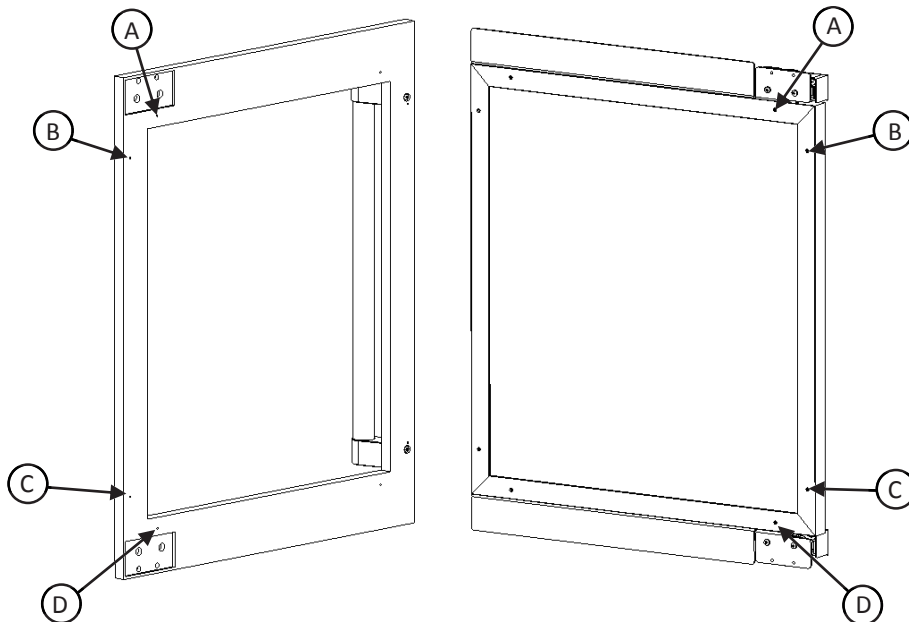
For detailed dimensions, see the frame specifications in **Addendum A**.

IMPORTANT: It is recommended to install the custom overlay frame with the help of another person.

1. Install the custom handle of your preference on the overlay frame before installing the frame on the door.
 * Every custom handle is different and it is the responsibility of the customer to make the necessary adjustments to place the handle on the overlay frame.
 The screws used to affix the custom handle to the frame must be flat and flush with the surface of the frame; if the screws are not flat, then consider making a recession on the overlay, enough to hide the head of the screw below the surface of the overlay, otherwise the screws will interfere with the correct placement of the overlay on the door.

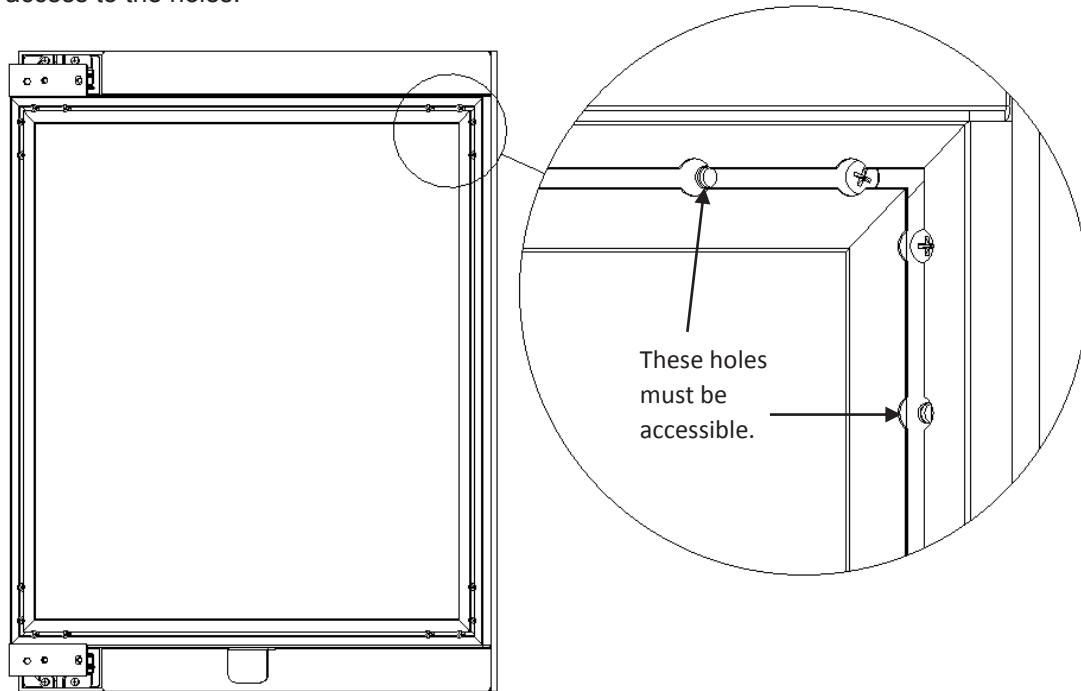


2. Locate and identify every pair of holes on the overlay frame corresponding with the holes on the door. Every hole must be aligned to screw and fasten the overlay to the door.

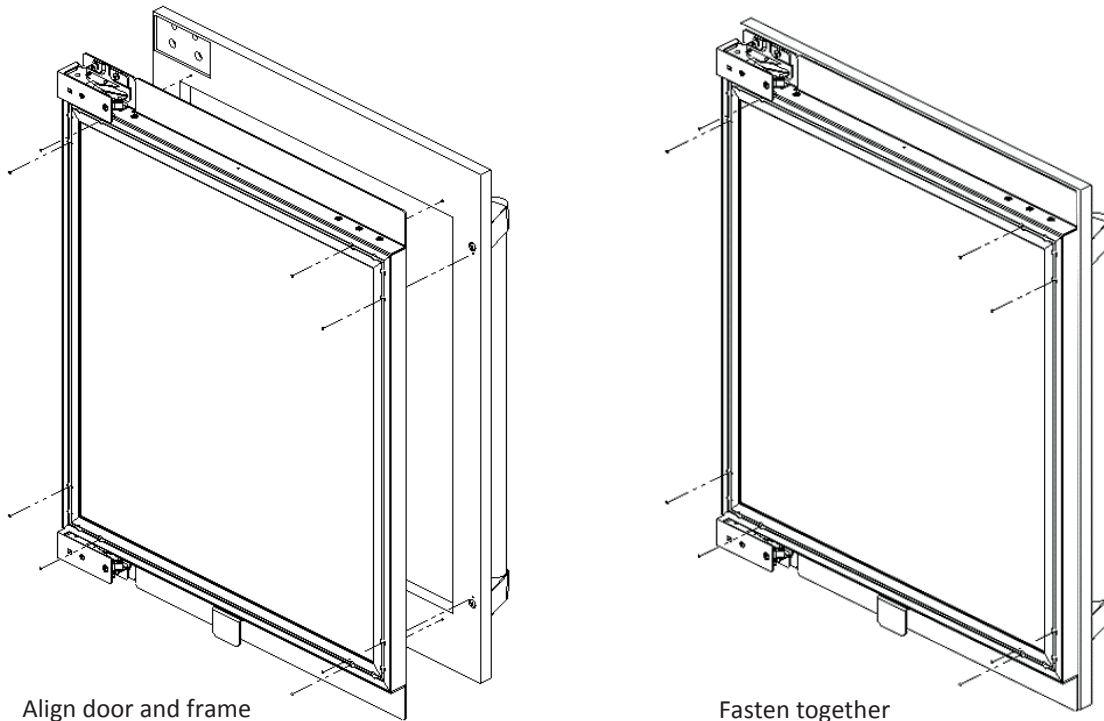


3. Remove the gasket from the corners of the door pulling it gently until the two screws and two holes are visible. The two holes must be accessible to screw the overlay frame to the door. There are 8 holes total, two per corner.

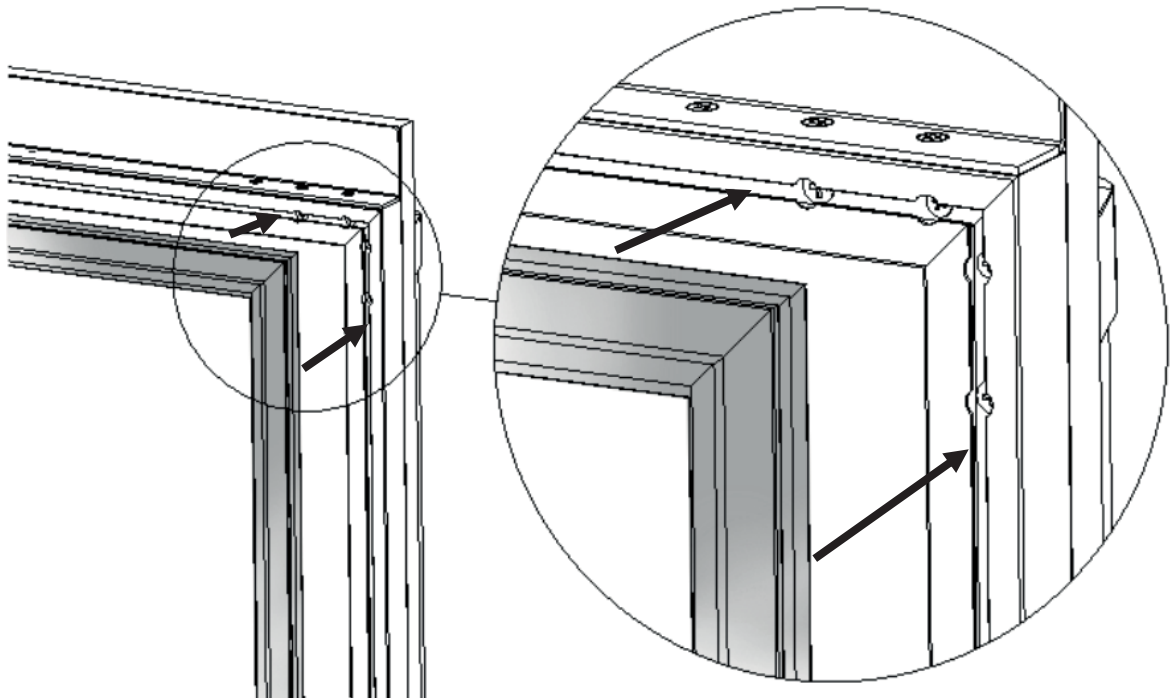
NOTE: It is not necessary to remove the entire gasket from the door, just from the corner, enough to access to the holes.



4. Align the overlay frame with the door and hold them firmly together while screwing them. It may be easier with the help of another person to hold and keep the frame in place while fastening. Using the 8 screws included in the installation kit, fasten the overlay frame to the door.



5. Once the overlay frame is securely attached to the door with the 8 screws, put the gasket back in its place pressing it against the door until all is even and firm into its channel.



Put gasket back in its place

6. Now, the overlay frame is ready.



Customer Service Information

If service becomes necessary, contact your dealer or an authorized service center. Do not attempt to repair the appliance yourself. Any work performed by unauthorized personnel may void the warranty. If problem persists, take the following steps (in the order listed below) until the problem is corrected to your satisfaction.

1. Contact your dealer or the Thermador Authorized Servicer in your area.
2. E-mail us from the Customer Service section of our web site, www.Thermador.com.
3. Write to us at the address below:

BSH Home Appliances Corporation.
1901 Main Street, Suite 600
Irvine, CA 92614

4. Call us at: 1-800-735-4328

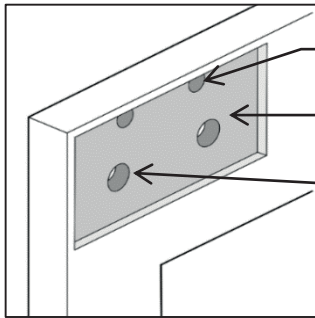
Please be sure to include (if writing), or have available (if calling), the following information:

- Model Number
- Serial Number
- Date of Original Purchase
- Date Problem Originated
- Explanation of Problem

Also, if writing, please be sure to include a daytime phone number. (You will find the model number and serial number information on the label located inside the cabinet on the opposite side of the hinge).

Addendum A.

Detailed dimensions for Overlay Frame.



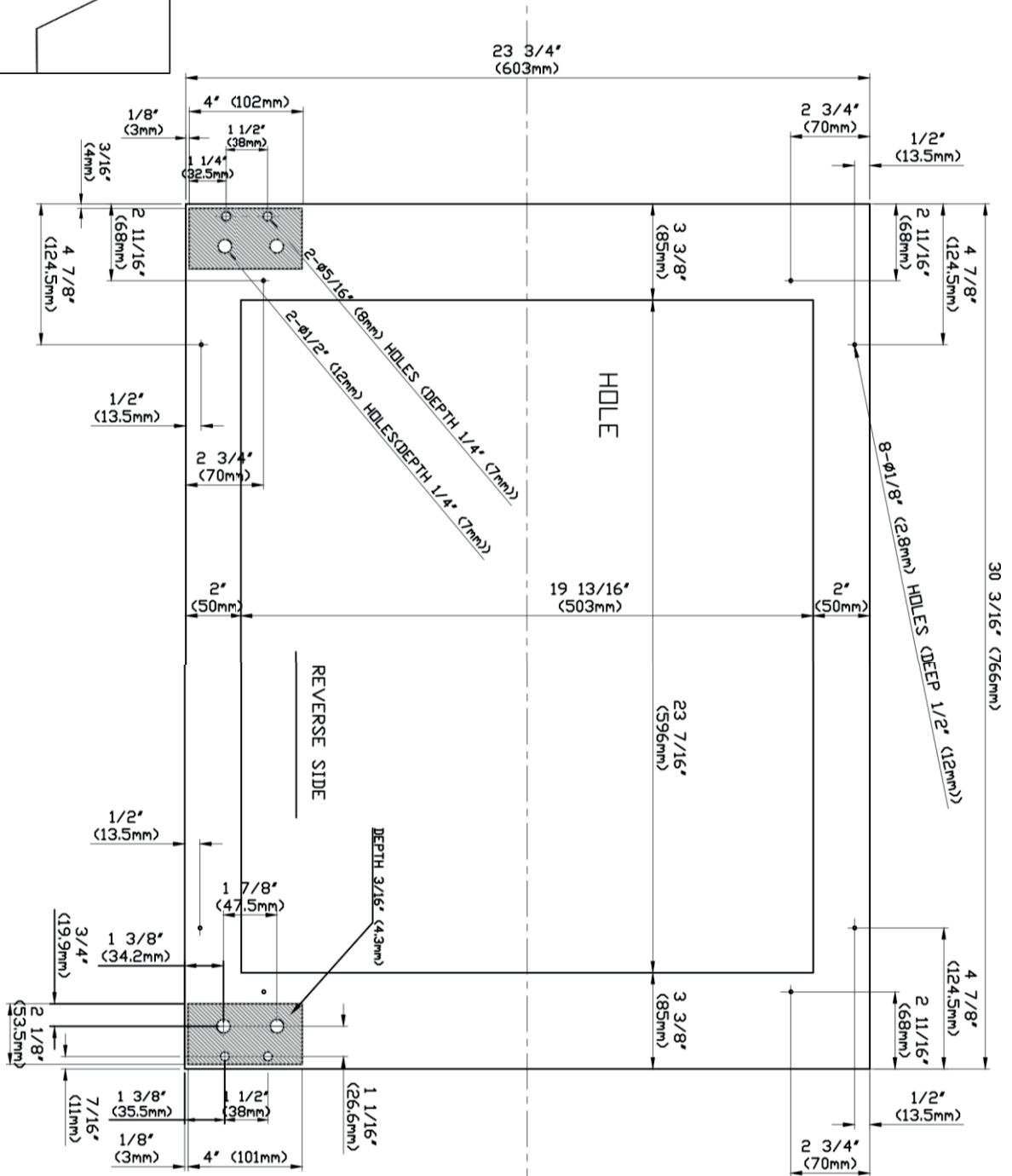
Ø5/16" (8mm) Hole. Depth: 1/4" (7mm)

Cutout depth: 3/16" (4mm)

Ø1/2" (12mm) Hole. Depth: 1/4" (7mm)

Important

- The thickness of the overlay frame must be 3/4" (19mm).
- Overlay frame must not weight more than 10lbs (4.54kg).



Data Rating Label

The data rating label shows the model and serial number of your appliance. It is located on the top of the right side of the liner compartment.

Service Information

For handy reference, copy the information in the form below from the data rating plate located on the top of the right side of the liner compartment. Keep your invoice for Warranty validation.

Model Number _____

Serial Number _____

Date of Purchase _____

Dealer's Name _____

Dealer's Phone Number _____

Service Center's Name _____

Service Center's Phone Number _____

IMPORTANT: Avant de commencer, veuillez lire attentivement toutes ces consignes.

INSTALLATEUR: Veuillez remettre ce manuel au propriétaire pour consultation ultérieure.

PROPRIÉTAIRE: Conservez ces consignes d'installation pour consultation ultérieure et pour l'inspecteur local de l'électricité.

Table des matières

| | |
|---|-----------|
| Introduction | 25 |
| - Inspection du cellier | |
| Outils requis pour l'installation | 26 |
| Matériel compris | 26 |
| Installation de l'appareil | 27 |
| - Transport | |
| - Mesures générales | |
| - Lieu de l'installation | |
| - Installation côte à côte | |
| Aération | 31 |
| Branchement de l'appareil | 31 |
| - Raccordement électrique | |
| Ouverture de la porte | 33 |
| Installation du support antibasculement | 35 |
| Installation du panneau de revêtement | 39 |
| Renseignements sur le service à la clientèle | 43 |
| Annexe A | 44 |

Introduction

Ces consignes d'installation sont destinées à des installateurs qualifiés.

En plus de ces consignes, l'appareil doit être installé:

- Aux États-Unis, conformément au Code national de l'électricité, aux codes municipaux et de l'état, et/ou aux codes locaux.
- Au Canada, conformément à la plus récente édition du Code canadien de l'électricité C22.1, aux codes municipaux et provinciaux, et/ou aux codes locaux.

Veillez lire attentivement toutes ces consignes d'installation.

Elles vous permettront d'économiser du temps et des efforts, et vous aideront à obtenir un rendement optimum de l'appareil.

Veillez respecter toutes les mises en garde énoncées.

Portez attention aux triangles dans lesquels se trouve un point d'exclamation.



MISE EN GARDE:

Ceci indique que des blessures graves voire mortelles peuvent découler du non-respect de cette mise en garde.



ATTENTION:

Ceci indique que des blessures mineures ou modérément graves peuvent découler du non-respect de cette mise en garde.

Important

- **NOUVELLE INSTALLATION** – Si l'appareil est une nouvelle installation, une grande partie du travail doit être effectuée avant de mettre l'appareil en place.
- **REMPLACEMENT** – Si l'appareil sert à remplacer un autre appareil, les raccordements de l'appareil qui sont remplacés **doivent faire l'objet d'une vérification de compatibilité** avec le nouvel appareil et être remplacés si nécessaire.

Inspection du cellier

Retirez le ruban adhésif, l'emballage et les housses de plastique.

Après avoir déballé l'appareil et avant l'installation, inspectez minutieusement le réfrigérateur au cas où il aurait été endommagé durant le transport ou comporterait des dommages cosmétiques. Signalez immédiatement tous dommages.

REMARQUE : Veuillez ne pas jeter les sacs ou articles compris dans l'emballage original avant d'avoir terminé l'installation!

Outils requis pour l'installation



Ruban à mesurer



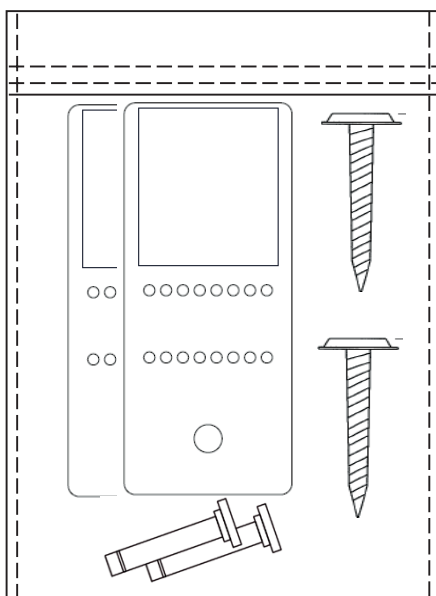
Tournevis cruciforme



Niveau

Ce sont les outils dont vous aurez besoin pour l'installation de l'appareil. Cependant, si vous devez modifier le comptoir ou l'aménagement pour mettre l'appareil en place, vous pourriez avoir besoin d'autres outils pour effectuer les modifications au comptoir/à l'aménagement avant d'installer l'appareil.

Matériel compris

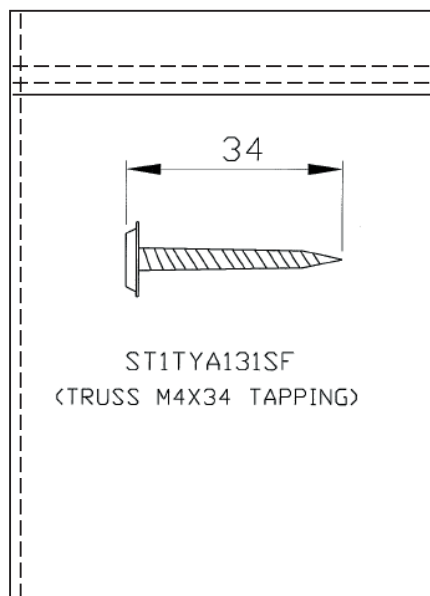


Support antibasculement. 2 pièces.

Vis : 2 pièces.

Butoir de porte : 2

1 mousse isolante (non illustrée)
de 20 ½ po (520 mm) x 29 1/8 po
(740 mm) x 1/8 po (3 mm)



Vis pour le panneau de revêtement :
ST1TYA131SF (ENTRETOISE DE M4X34). 8 pièces.

**UNIQUEMENT POUR LES MODÈLES
T24UW800LP.**

Installation de l'appareil

Une grande partie du travail doit être effectuée avant que le réfrigérateur ne soit mis en place. Demandez à un technicien d'installer et de raccorder l'appareil conformément aux consignes d'installation comprises.



MISE EN GARDE:

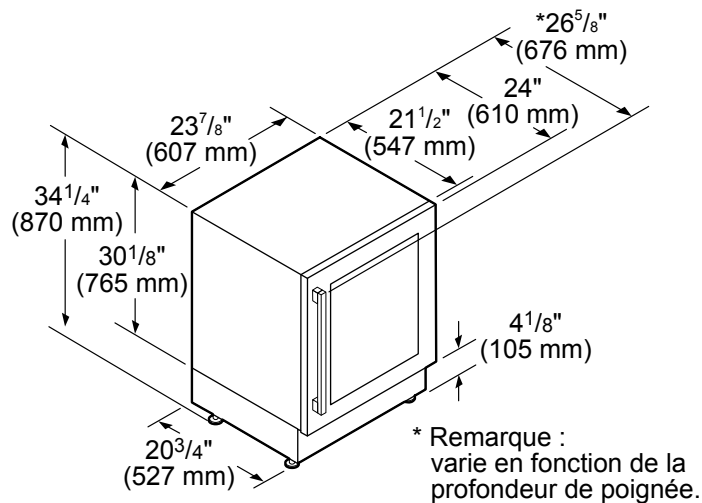
Ne pas installer l'appareil :

- À l'extérieur.
- Dans un endroit où l'eau dégoutte.
- Dans des pièces où il y a risque de gel.

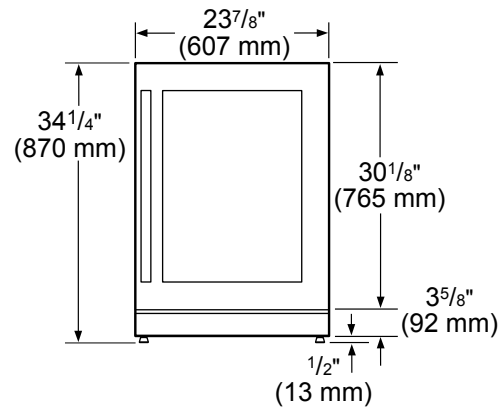
Transport

L'appareil est lourd et doit être manipulé avec précaution durant le transport et l'installation. En raison du poids et des dimensions de cet appareil, la présence d'au moins deux personnes est nécessaire pour mettre l'appareil en place en toute sécurité et éviter les blessures ou les dégâts matériels.

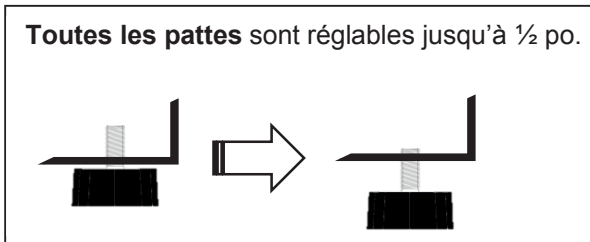
Mesures générales



Remarque : Une fois les pieds entièrement rentrés, le produit a une dimension minimale de 34 1/4" de la partie supérieure à la partie inférieure. Les pieds peuvent être rentrés de 1/2" au maximum.



Toutes les pattes sont réglables jusqu'à 1/2 po.



Lieu de l'installation

Une pièce bien aérée où l'air est sec convient à l'installation. Le lieu de l'installation ne doit pas être exposé directement aux rayons du soleil et se trouver à proximité d'une source de chaleur, p. ex., une cuisinière, un radiateur, etc.

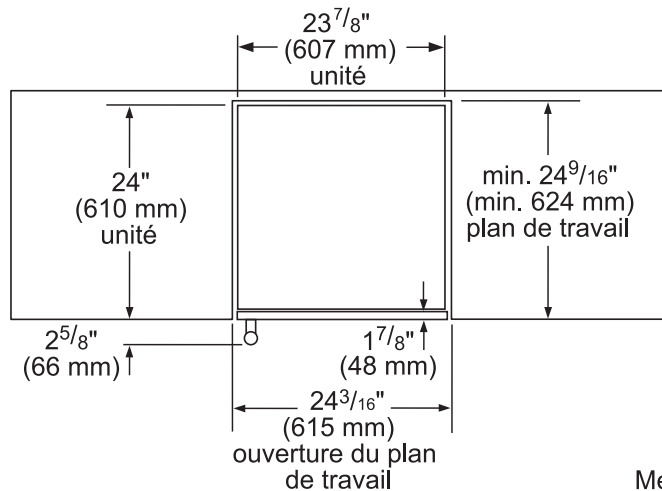
Si l'installation se trouve à proximité d'une source de chaleur, utilisez une plaque isolante adéquate ou respectez la distance minimum entre l'appareil et la source de chaleur:

- Cuisinière/four à gaz ou électrique 1 ¼ po (3 cm).
- Cuiser à l'huile ou au charbon 11 13/16 po (30 cm).
- Autre cellier ou réfrigérateur 1 po (2,54 cm).

Le plancher du lieu de l'installation doit être capable de résister au poids de l'appareil. Si nécessaire, renforcez le plancher. L'appareil doit être à la verticale pour fonctionner correctement.

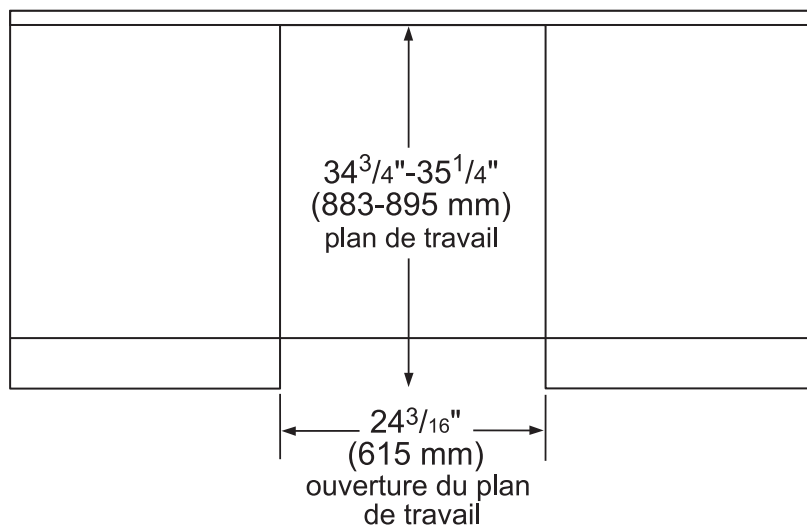
Pour des raisons d'esthétique et de fonctionnement adéquat de l'appareil, l'ouverture réservée au réfrigérateur doit être carrée et ses dimensions doivent être telles qu'indiquées ci-dessous.

VUE DE DESSUS



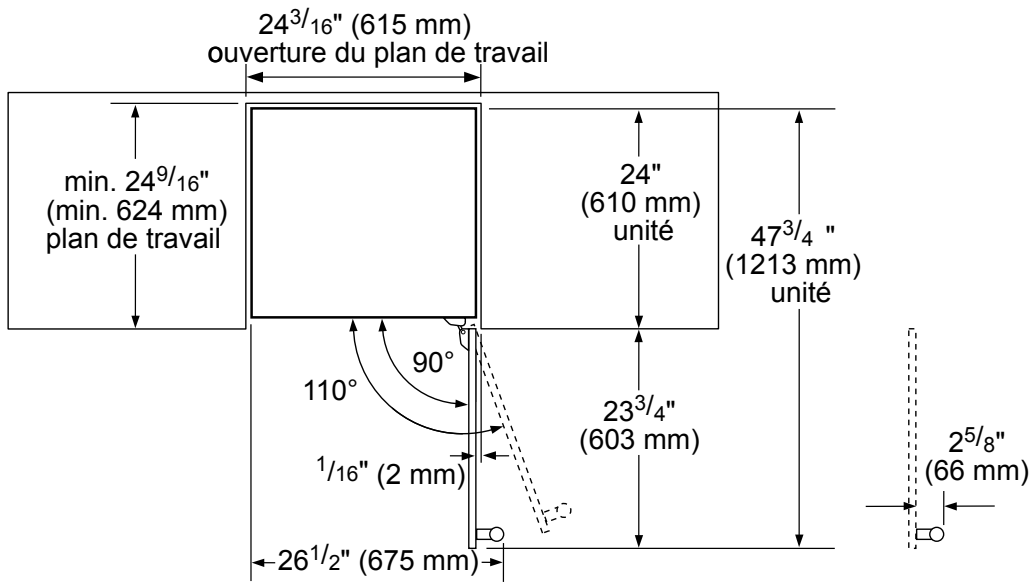
Mesures en pouces et en mm

VUE DE FACE

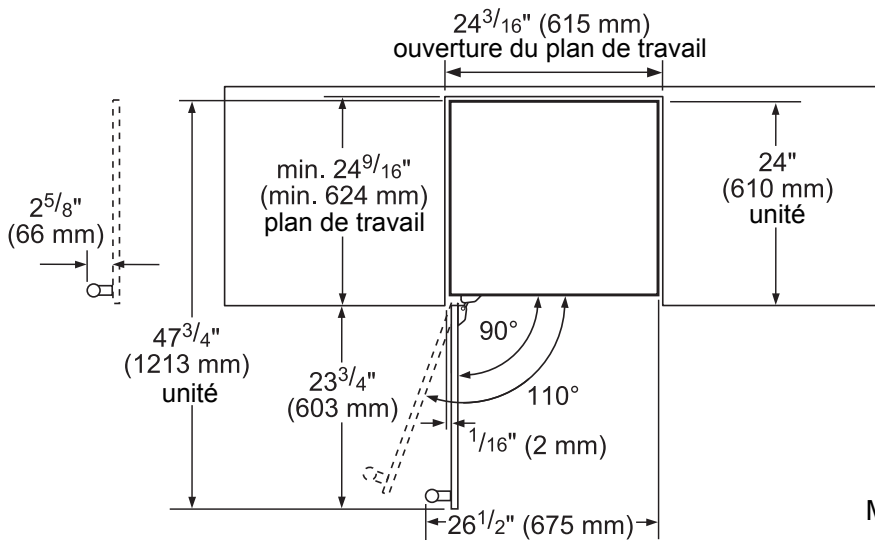


Mesures en pouces et en mm

VUE DE DESSUS OUVERT



Mesures en pouces et en mm

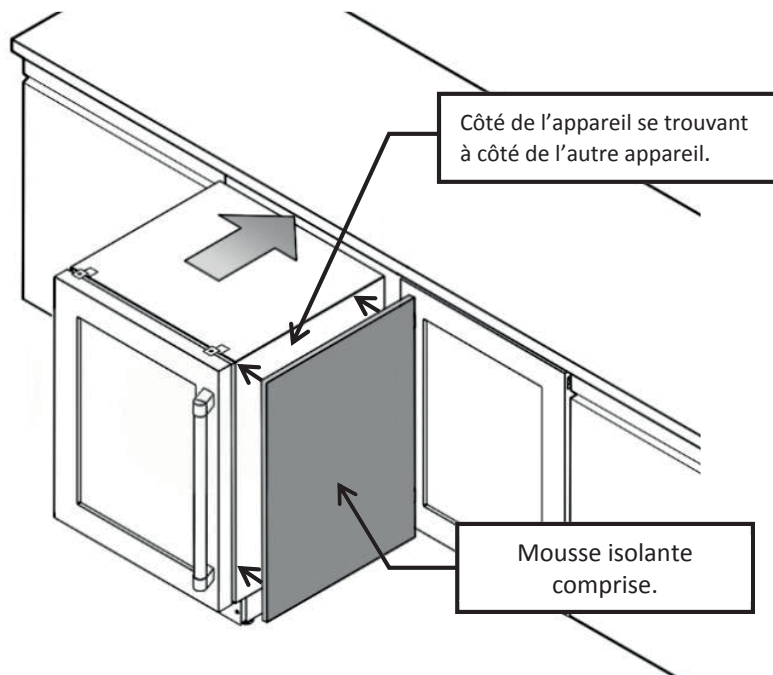


Mesures en pouces et en mm

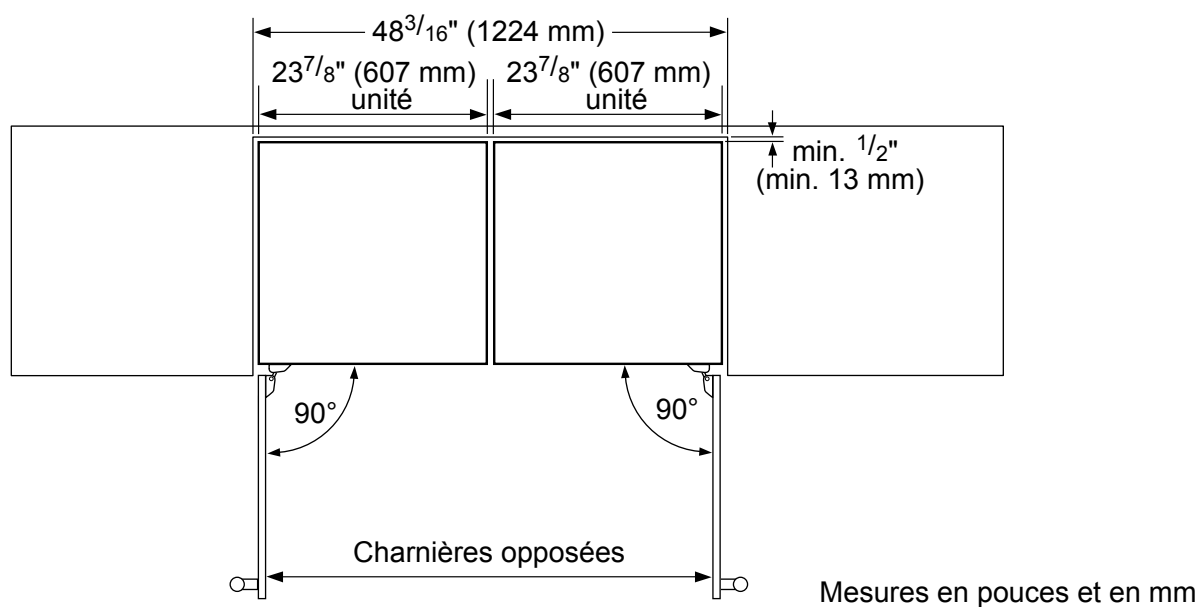
Installation côte à côte

L'appareil peut être installé à côté d'un autre appareil Thermador. Veuillez respecter les dimensions et les remarques pour installer correctement l'appareil à côté d'un autre.

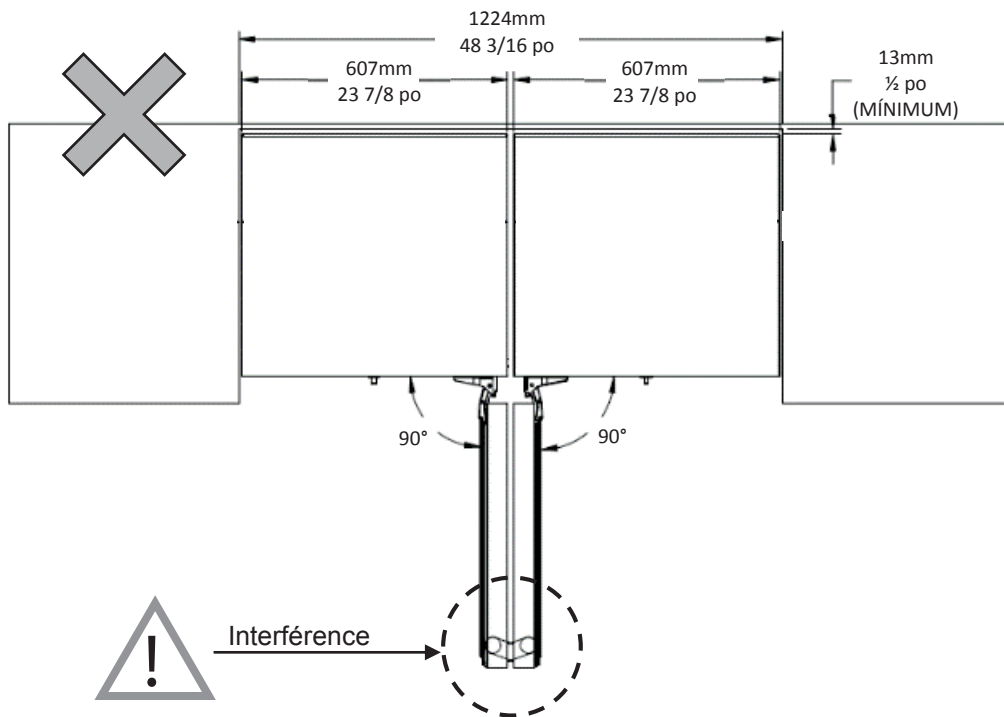
REMARQUE : Avant de mettre l'appareil dans sa niche, collez la mousse isolante (comprise) sur le côté de l'appareil qui sera placé à côté de l'appareil supplémentaire. Veillez à ce que la mousse isolante soit de niveau avec la surface de l'appareil et qu'il n'y ait pas de bulles ou de bosses sur la mousse isolante après l'avoir collée sur l'appareil.



Installez les appareils selon la configuration des « portes françaises »; les appareils avec charnière à gauche doivent se trouver du côté opposé à l'autre dont la charnière est à droite.



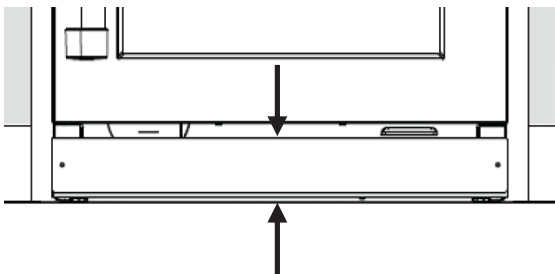
Ne pas mettre un appareil avec charnière à droite à côté d'un appareil dont la charnière est à gauche.



Aération

Le réfrigérateur est aéré uniquement à la base, au niveau du bandeau de socle. Ne jamais couvrir cette partie ou placer un objet devant, car cela pourrait nuire au rendement du système de refroidissement de l'appareil et augmenter la consommation d'électricité.

En outre, veillez à ce que les **4 pieds de nivellement soient allongés** (la hauteur de l'appareil est d'environ 34 3/4 po) afin que la circulation d'air soit suffisante sous l'appareil.



Branchement de l'appareil

Après avoir installé l'appareil, attendez au moins une heure avant de le mettre en marche. Durant le transport, l'huile du compresseur a peut-être coulé dans le système de réfrigération.

Avant de mettre l'appareil en marche pour la première fois, nettoyez l'intérieur de l'appareil (consultez la rubrique « **Nettoyage de l'appareil** » dans le guide d'utilisation et d'entretien).

Raccordement électrique

⚠ MISE EN GARDE :

Ces consignes d'installation sont destinées aux installateurs qualifiés.

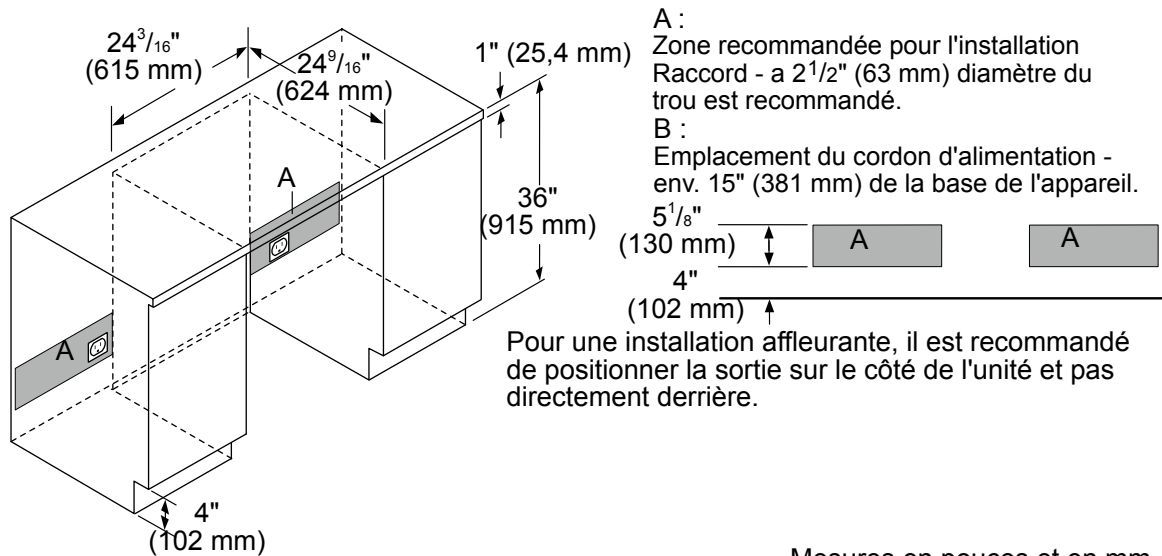
⚠ MISE EN GARDE :

Évitez tout risque d'électrocution!
Insérez dans une prise de courant mise à la terre.
Ne jamais retirer la prise de terre.
Ne pas utiliser d'adaptateur.
Ne pas utiliser de rallonge.

⚠ MISE EN GARDE :

Il incombe au client de veiller à ce que l'installation de l'appareil soit conforme à tous les codes et ordonnances électriques locaux et nationaux. Le non-respect de ces consignes peut causer la mort, un incendie ou une électrocution.

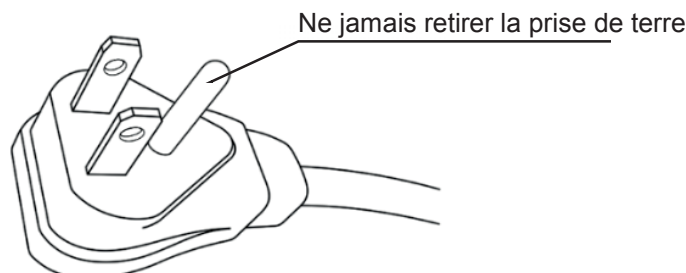
La prise de courant doit se trouver à proximité de l'appareil, 61 po (1550 mm) à droite de l'appareil ou 37 po (940 mm) à gauche de l'appareil, et être facilement accessible suite à l'installation de l'appareil.



L'appareil est conforme à la protection de classe I. Branchez l'appareil dans une prise de courant alternatif de 115 V/60 Hz correctement installée et avec une borne de mise à la terre.

L'appareil comprend un cordon d'alimentation à 3 broches homologué UL de type NEMA 5-15p.

L'appareil exige une prise à 3 broches.



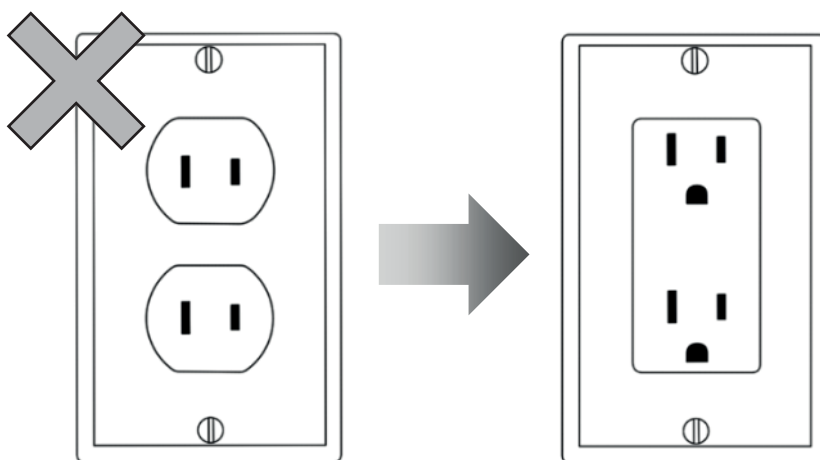
MISE EN GARDE :

Ne jamais brancher l'appareil dans une prise permettant d'économiser l'énergie. Cet appareil peut être utilisé avec des onduleurs sinusoïdaux et de réseaux. Les onduleurs contrôlés par les réseaux sont utilisés pour les systèmes photovoltaïques raccordés directement au réseau national.

Les onduleurs sinusoïdaux doivent être utilisés pour des applications isolées (p. ex., sur les navires ou dans les cabines en montagne) qui ne sont pas directement raccordées au réseau national.

L'appareil exige une prise de courant à 3 broches. La prise doit être raccordée par un électricien qualifié seulement. S'il n'y a qu'une prise murale standard à 2 broches, il incombe au client de faire remplacer cette prise par une prise murale à 3 broches correctement mise à la terre. Ne pas utiliser d'adaptateur de fiche.

Veillez à ce que le cellier se trouve à proximité d'une prise de courant accessible.



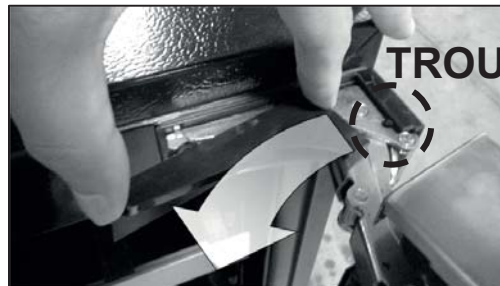
La prise de courant standard à 2 broches doit être remplacée par une prise de courant à 3 broches mise à la terre. Ne pas utiliser d'adaptateur.

Ouverture de la porte.

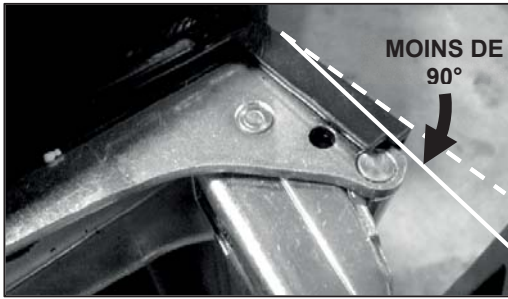
La porte de votre cellier est configurée par défaut pour une ouverture de 110°. Cela facilite l'accès aux clayettes pour le chargement ou le nettoyage. Cependant, si l'appareil est installé sous le comptoir, il est préférable d'installer les butoirs de porte dans la charnière pour éviter de frapper le mur, les meubles ou tout autre appareil installé à côté du cellier.

Pour installer le butoir de porte, procédez comme suit :

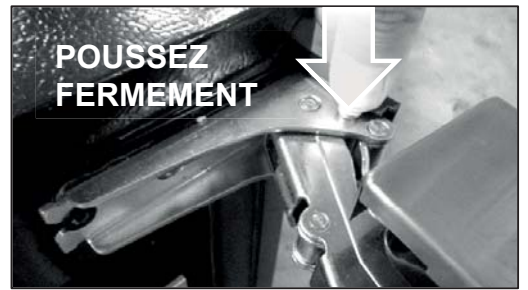
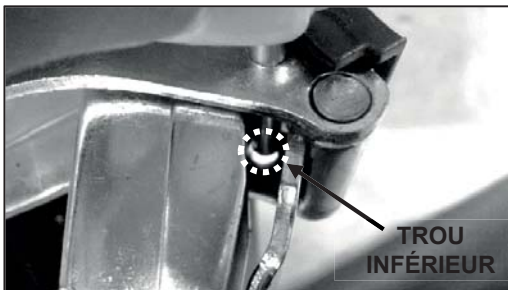
1. Retirez le couvre-charnière supérieur en le tirant dans le sens opposé à la charnière. Cela permettra de découvrir le mécanisme de charnière et le trou destiné au butoir de porte.



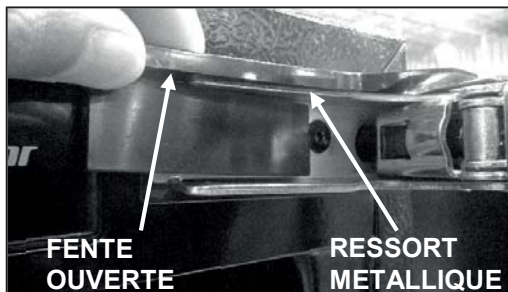
- Mettez la porte à moins de 90° afin que le mécanisme de la charnière n'obstrue pas le trou et insérez le butoir de porte dans le trou.



- Alignez le butoir avec le trou inférieur de la charnière et enfoncez le butoir jusqu'à ce qu'il soit bien enclenché.



- Remettez en place le couvre-charnière afin de protéger le mécanisme de la charnière. Assurez-vous d'abord que le ressort métallique de la charnière se trouve dans la fente ouverte du couvre-charnière. Ensuite, poussez et glissez le couvercle fermement en direction de la charnière jusqu'à ce qu'il soit verrouillé en place.

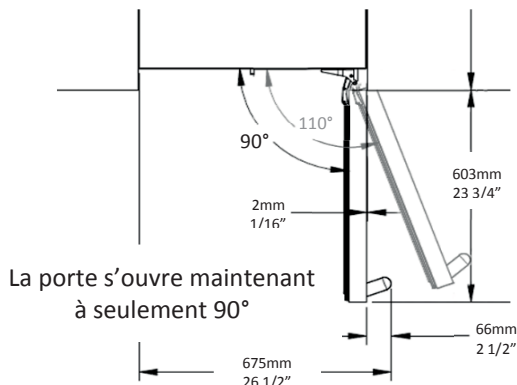


- Veillez à ce que le couvre-charnière soit bien enclenché. Il est important de remettre le couvre-charnière en place, car cela aide à protéger le mécanisme de la charnière ainsi que vos doigts.



Le couvre-charnière se verrouille ici.

Et sous cette languette.



Installation du support antibasculement

L'appareil comprend deux supports antibasculement. Si votre aménagement n'est pas conçu pour les dimensions spécifiques de votre appareil, ou si vous prévoyez utiliser l'appareil de façon autonome, vous devez utiliser des supports pour éviter que l'appareil ne bascule en raison d'un déséquilibre de poids lorsque les deux tiroirs sont ouverts en même temps.

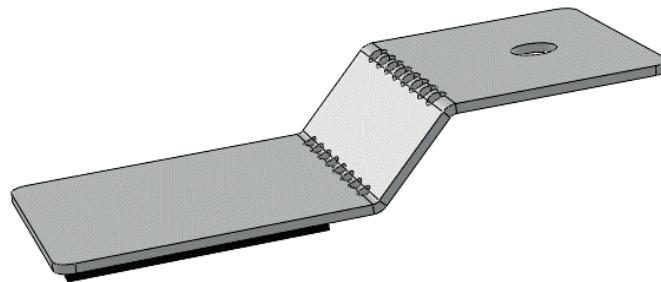
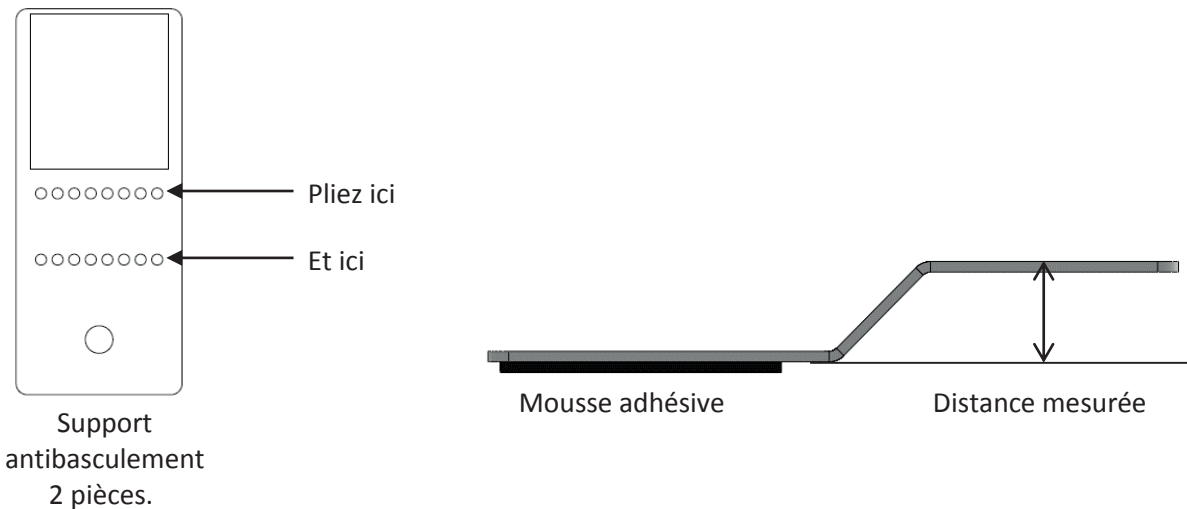


MISE EN GARDE :

Pour éviter que l'appareil ne bascule en raison d'un déséquilibre de poids, ne pas ouvrir les deux tiroirs en même temps. Fermez toujours un tiroir avant d'ouvrir l'autre.

Usage autonome

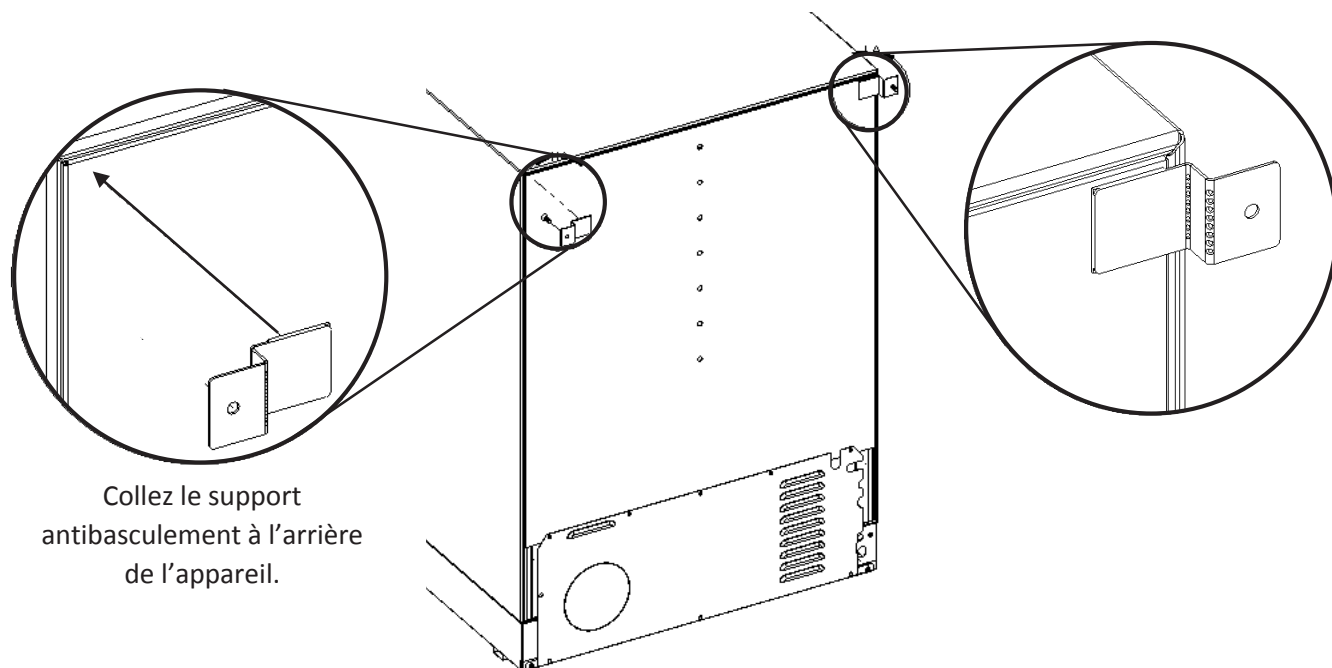
1. Considérez la distance nécessaire pour que l'appareil soit vis-à-vis le devant de votre aménagement. S'il n'y a pas d'aménagement, mettez l'appareil près du mur, puis mesurez l'espace à l'arrière entre l'appareil et le mur.
2. Selon la distance mesurée entre l'arrière de l'appareil et le mur, pliez le support antibasculement (compris avec l'appareil) à partir des lignes pointillées pour créer une « marche » avec la distance mesurée.



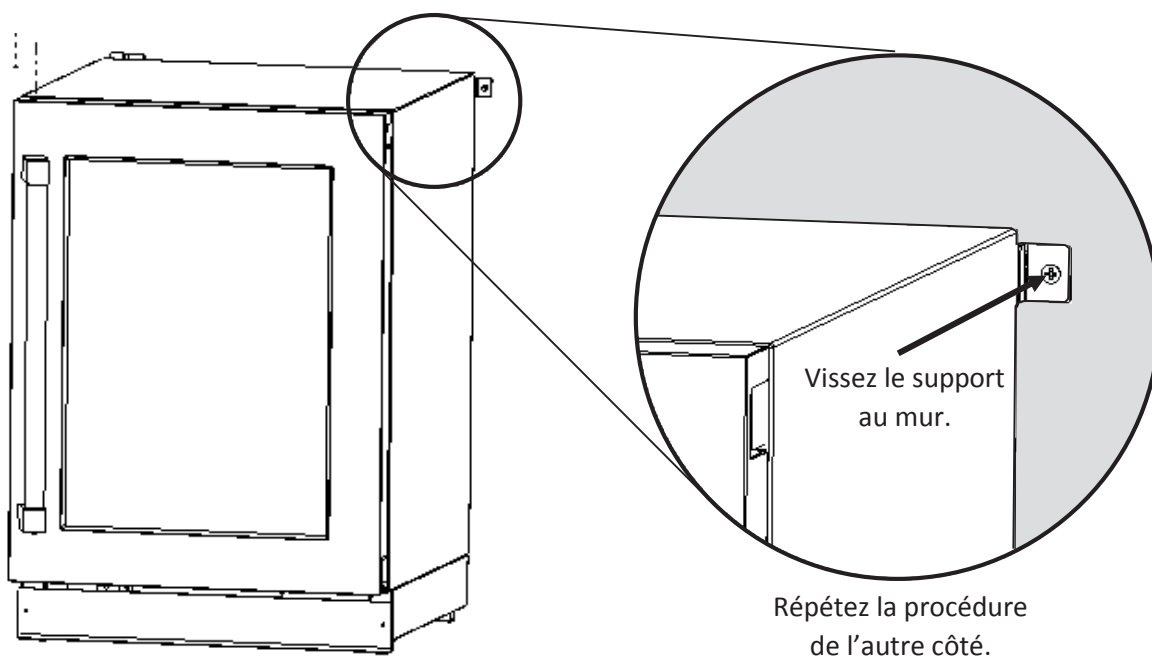
« Marche » créée.

REMARQUE : La mousse adhésive doit se trouver dans le fond de la marche, et non sur le côté inverse.

3. Pelez la mousse adhésive et collez le support antibasculement des deux côtés à l'arrière de l'appareil, tel qu'illustré ci-dessous.

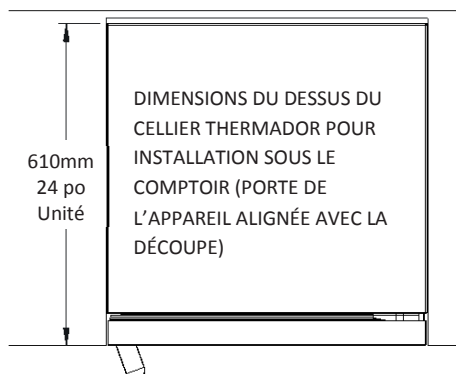


4. Après avoir collé les supports antibasculement à l'arrière de l'appareil, faire glisser l'appareil vers le mur jusqu'à ce que le support antibasculement touche au mur.
À l'aide des vis fournies, fixez le support antibasculement au mur des deux côtés.
REMARQUE : Ne pas fixer l'appareil à la cloison sèche. Fixez l'appareil sur une surface solide.

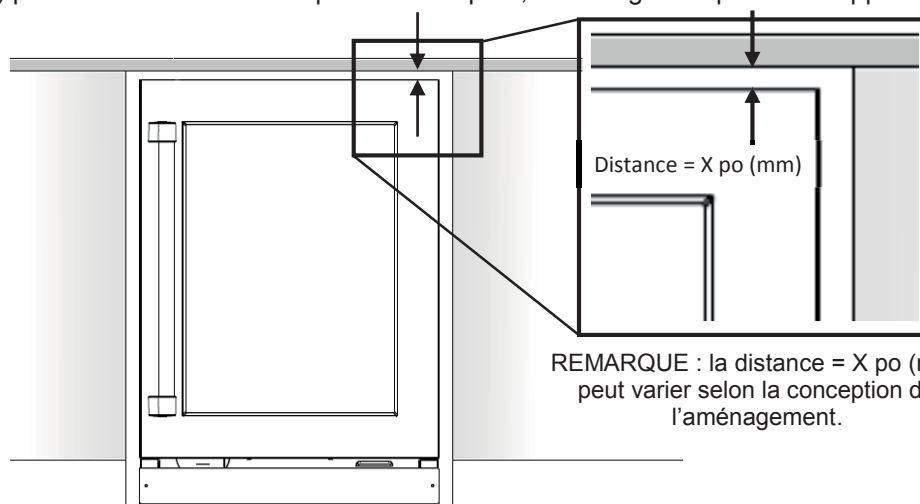


Installation sous le comptoir

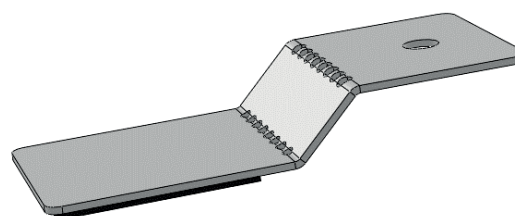
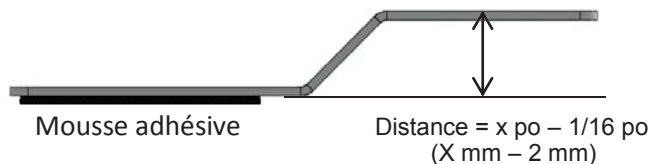
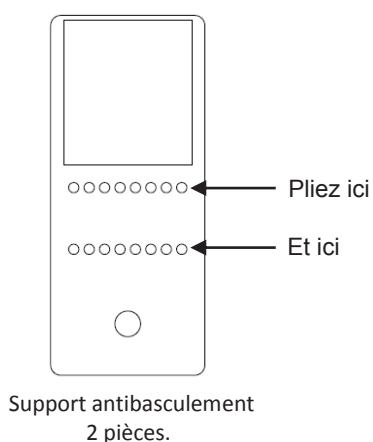
1. Considérez la distance nécessaire pour que l'appareil soit vis-à-vis le devant de votre aménagement.



2. Mesurez la distance entre le dessus de l'appareil et le dessus du comptoir. La mesure X po (mm) peut varier selon la conception du comptoir, la rallonge des pieds de l'appareil, etc.



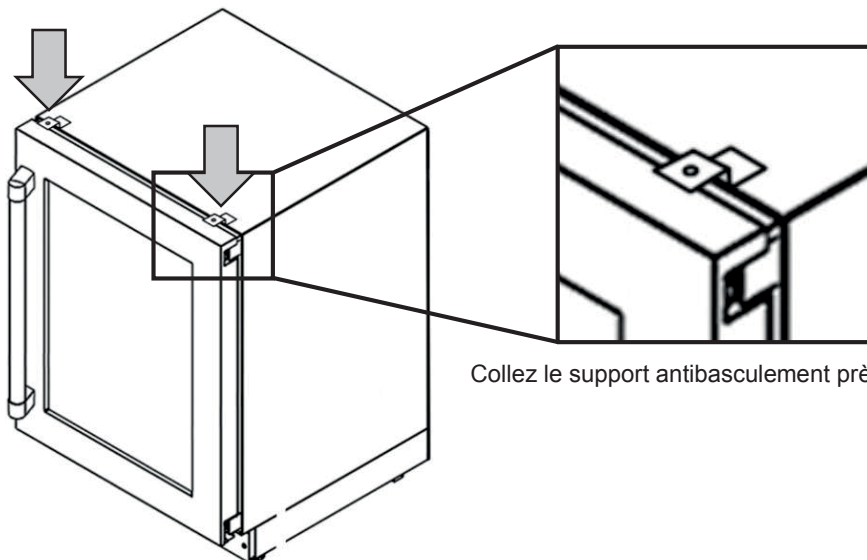
3. Selon la distance = X po (mm) entre l'appareil et le comptoir, pliez les supports antibasculement compris avec l'appareil sur les lignes pointillées afin de former une « marche » de 1/16 po (2 mm) plus petite que la distance = X po (mm) mesurée.



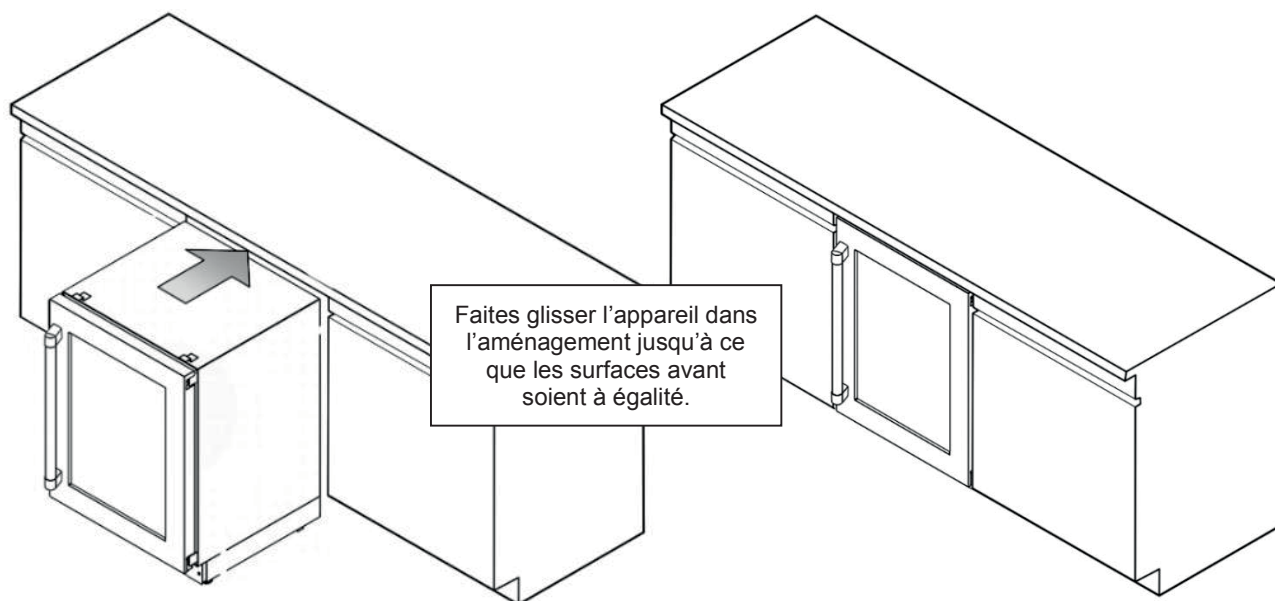
« Marche » créée.

REMARQUE : La mousse adhésive doit se trouver dans le fond de la marche, et non sur le côté inverse.

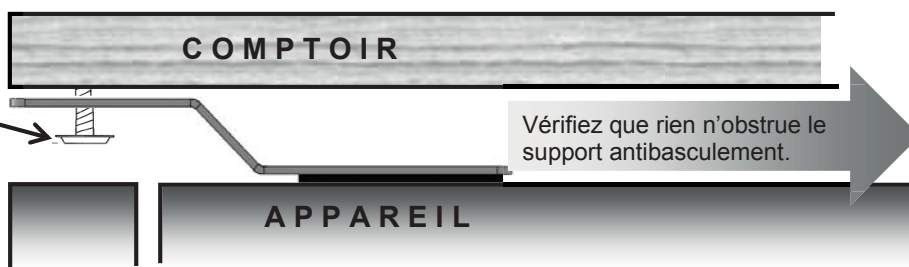
4. Pelez la mousse adhésive et collez le support antibascullement à l'avant, sur le dessus du meuble de l'appareil, près des coins, tel qu'illustré ci-dessous :



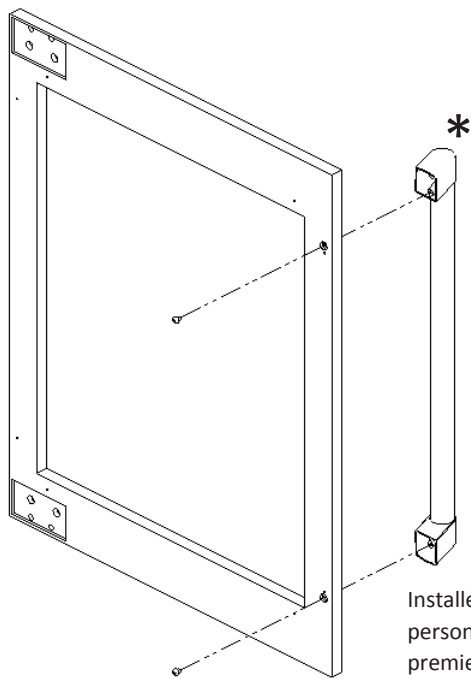
5. Faites glisser l'appareil dans l'aménagement jusqu'à ce que le devant de l'appareil soit vis-à-vis le devant de l'aménagement. Vérifiez que rien n'obstrue le support antibascullement lorsqu'il glisse sous le comptoir.



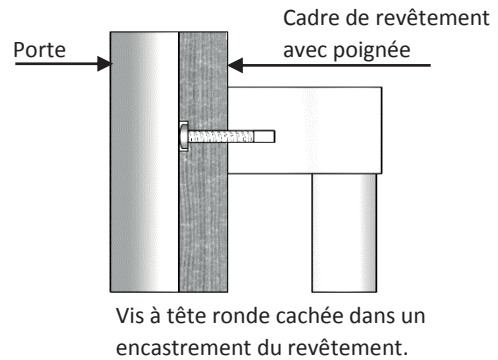
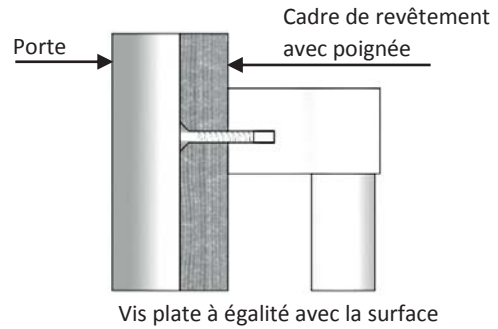
À l'aide des vis fournies, vissez le support antibascullement au comptoir pour fixer l'appareil.



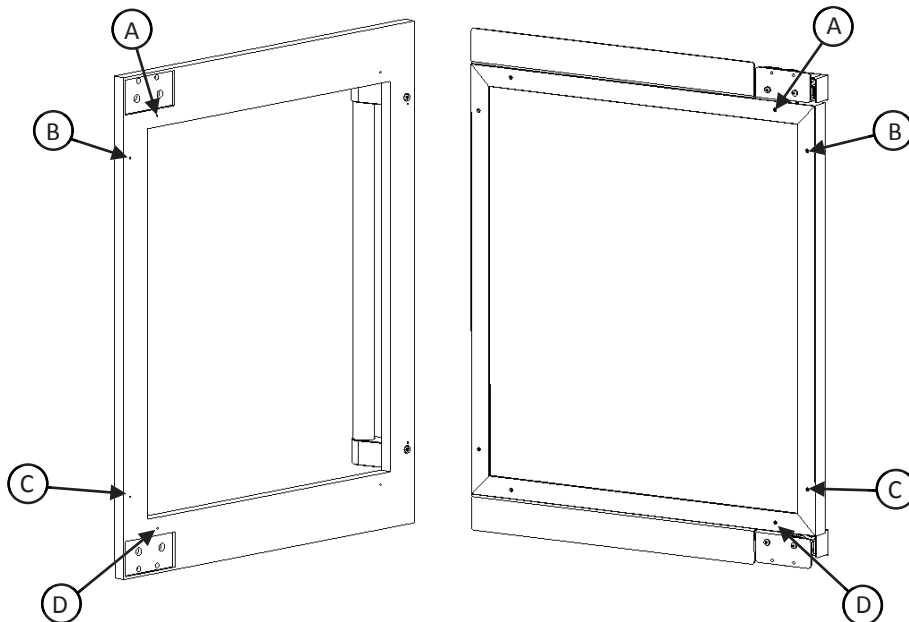
1. Installez la poignée de votre choix sur le cadre de revêtement avant d'installer le cadre sur la porte.
 * Chaque poignée est différente. Il incombe au client de procéder aux modifications nécessaires pour fixer la poignée sur le cadre de revêtement.
 Les vis utilisées pour fixer la poignée au cadre doivent être plates et vis-à-vis la surface du cadre. Si les vis ne sont pas plates, songez à créer un encastrement dans le revêtement pour cacher la tête de la vis sous la surface du revêtement, sans quoi les vis nuiront au placement exact du revêtement sur la porte.



Installez la poignée personnalisée en premier.

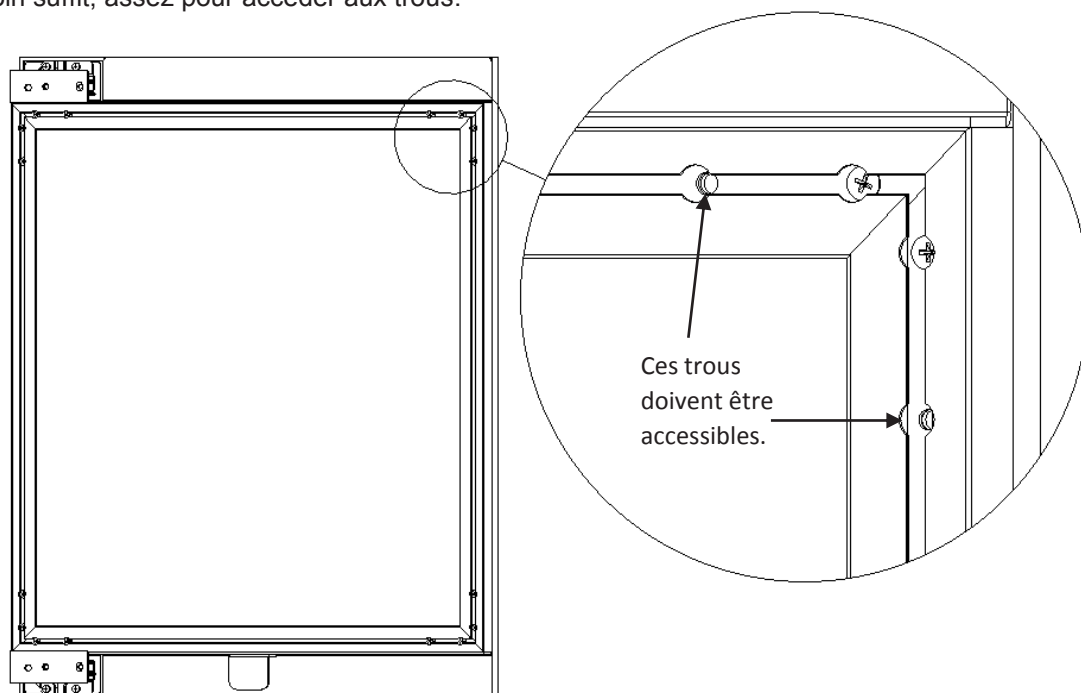


2. Repérez et identifiez chaque paire de trous sur le cadre de revêtement correspondant aux trous sur la porte. Chaque trou doit être aligné avec une vis afin de fixer le revêtement sur la porte.

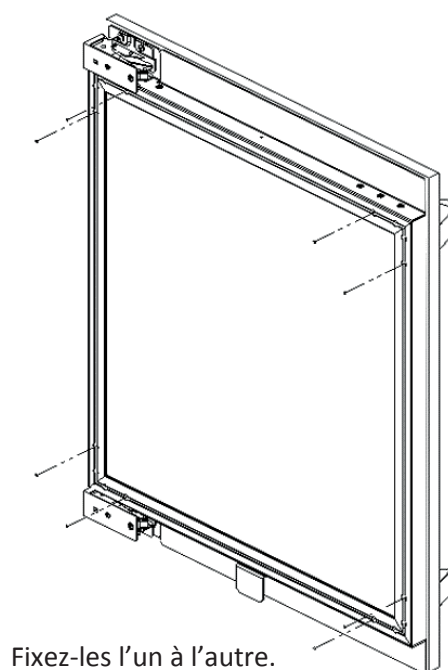
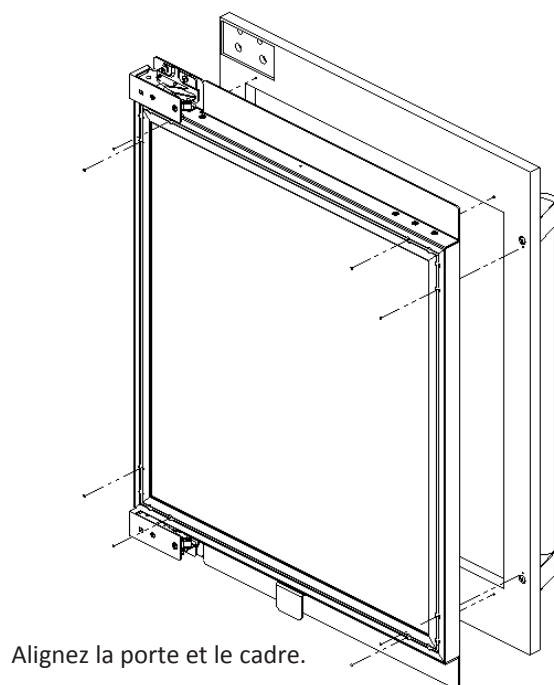


3. Retirez le joint d'étanchéité des coins de la porte en le tirant doucement jusqu'à ce que les deux vis et les deux trous soient visibles. Les deux trous doivent être accessibles pour visser le cadre de revêtement à la porte. Il y a 8 trous au total, deux par coin.

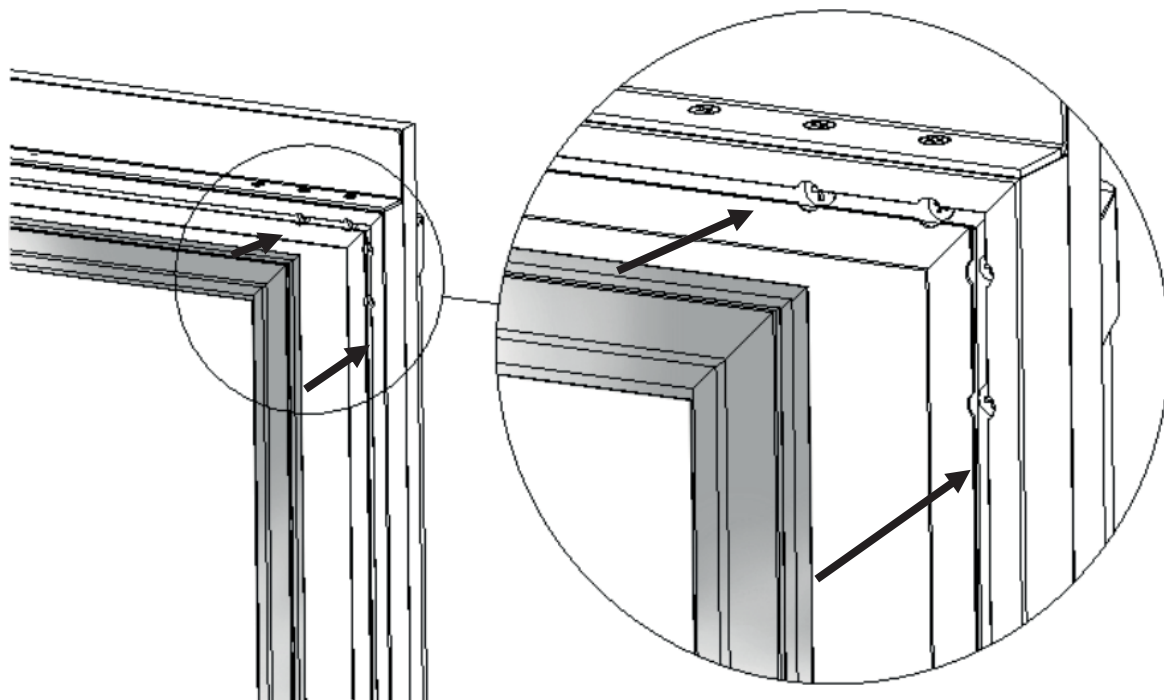
REMARQUE : Il n'est pas nécessaire de retirer tout le joint d'étanchéité de la porte. Celui du coin suffit, assez pour accéder aux trous.



4. Alignez le cadre de revêtement avec la porte et tenez-les fermement ensemble tout en les vissant. Il est peut-être plus facile de travailler avec une autre personne pour tenir le cadre en place pendant que vous le vissez. À l'aide des 8 vis comprises dans la trousse d'installation, serrez le cadre de revêtement à la porte.

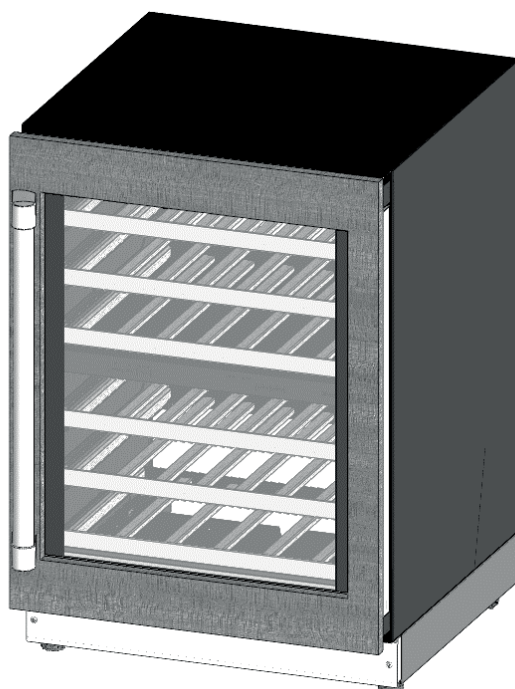


5. Lorsque le cadre de revêtement est bien fixé à la porte avec les 8 vis, remettez le joint d'étanchéité en place en appuyant dessus contre la porte jusqu'à ce qu'il soit bien enfoncé dans son canal.



Remettez le joint d'étanchéité en place

6. Le cadre de revêtement est maintenant prêt.



Renseignements sur le service à la clientèle

Si une réparation s'avère nécessaire, veuillez appeler votre revendeur ou centre de service après-vente agréé. Ne cherchez pas à réparer l'appareil vous-même. Tout travail exécuté par du personnel non autorisé peut annuler la garantie. Si le problème persiste, prendre les mesures suivantes (dans l'ordre indiqué ci-dessous) jusqu'à ce que le problème ait été résolu à votre entière satisfaction.

1. Appelez votre revendeur ou le prestataire de service après-vente agréé par Thermador de votre région.
2. Écrivez-nous à partir de la page du service à la clientèle de notre site Web. www.Thermador.com.
3. Écrivez-nous à l'adresse ci-dessous :

BSH Home Appliances Corporation.
1901 Main Street, Suite 600
Irvine, CA 92614

4. Appelez-nous au : 1-800-735-4328

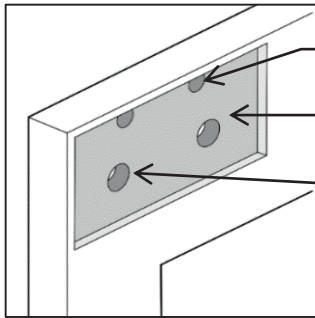
Veuillez indiquer (si vous écrivez) ou avoir à portée de main (si vous appelez) les renseignements suivants :

- Numéro de modèle
- Numéro de série
- Date d'achat original
- Date à laquelle le problème est survenu
- Explication du problème

Si vous nous écrivez, veuillez indiquer votre numéro de téléphone de jour. (Le numéro de modèle et le numéro de série sont indiqués sur l'étiquette se trouvant du côté droit du compartiment inférieur).

Annexe A.

Dimensions en détail du cadre de revêtement.



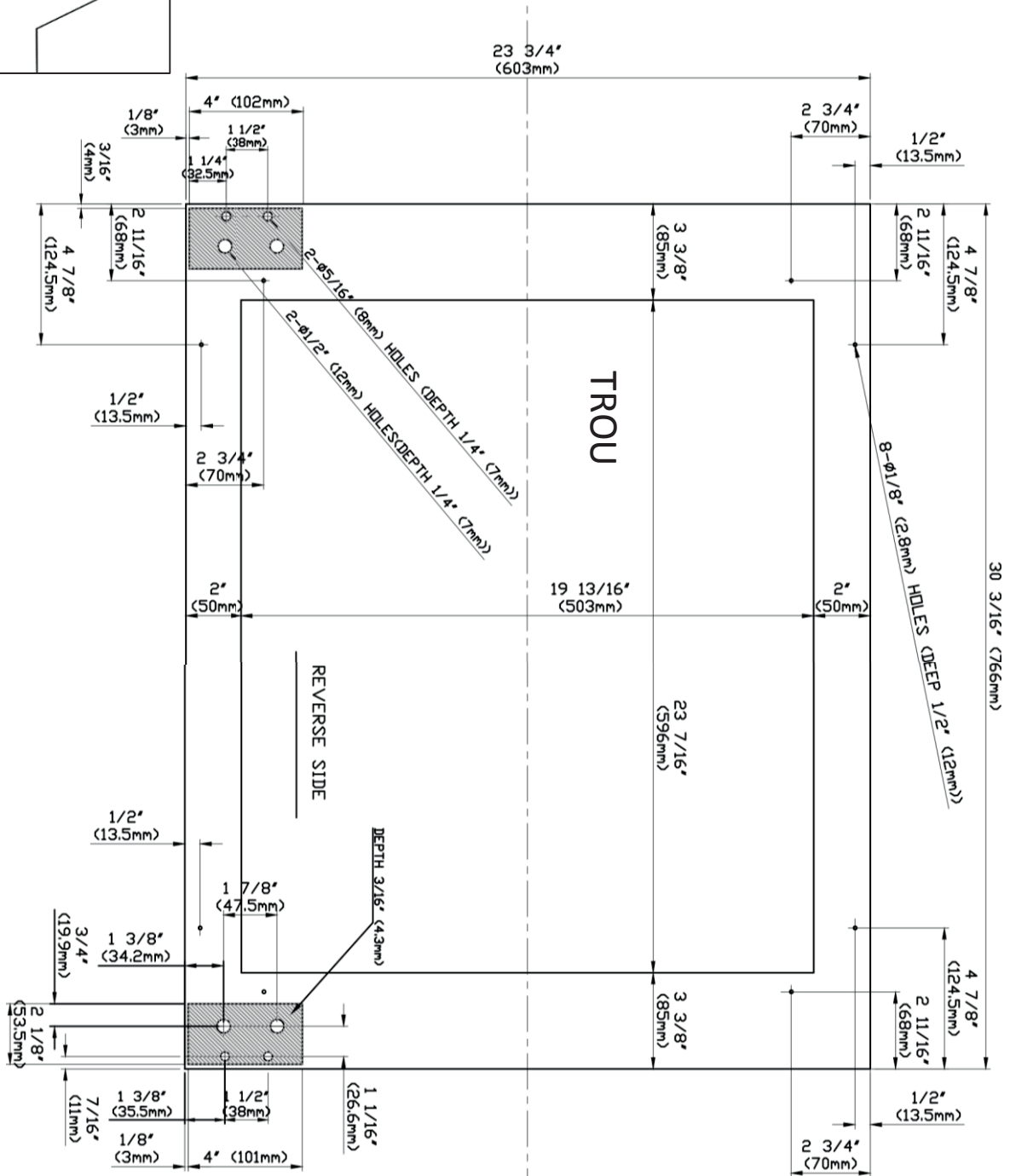
Trou de 5/16 po (8mm). Profondeur : ¼ po (7mm)

Profondeur de découpe : 3/16 po (4mm)

Trou de ½ po (12mm) Profondeur : ¼ po (7mm)

Important

- L'épaisseur du cadre de revêtement doit être de ¾ po (19 mm).
- Le cadre de revêtement ne doit pas peser plus de 10 lb (4,54 kg).



Plaque signalétique

La plaque signalétique indique le numéro de série et le modèle de l'appareil. Elle se trouve sur le dessus du compartiment avec revêtement, du côté droit.

Renseignements pour le service après-vente

Veillez copier sur le formulaire ci-dessus les renseignements se trouvant sur la plaque signalétique se trouvant sur le dessus du compartiment avec revêtement, du côté droit. Conservez votre facture pour valider la garantie.

Numéro de modèle _____

Numéro de série _____

Date d'achat _____

Nom du revendeur _____

Numéro de téléphone du revendeur _____

Nom du centre de service après-vente _____

Numéro de téléphone du service après-vente _____

IMPORTANTE: Antes de comenzar, lea estas instrucciones completamente y con cuidado.

INSTALADOR: Por favor, entregue este manual al dueño para futura referencia.

DUEÑO: Guarde estas instrucciones de instalación para el uso del inspector eléctrico local y para futura referencia.

Tabla de contenidos

| | |
|--|-----------|
| Introducción | 47 |
| - Inspeccionar el Enfriador de Vinos | |
| Herramientas necesarias para la instalación | 48 |
| Materiales provistos | 48 |
| Instalar el electrodoméstico | 49 |
| - Transportación | |
| - Medidas generales | |
| - Lugar de instalación | |
| - Instalación uno al lado del otro | |
| Ventilación | 53 |
| Conectar el electrodoméstico | 53 |
| - Conexión eléctrica | |
| Apertura de puerta | 55 |
| Instalar los soportes anti-vuelco | 57 |
| Instalar el marco de revestimiento | 61 |
| Información de servicio al cliente | 65 |
| Anexo A | 66 |

Introducción

Estas instrucciones de instalación son para el uso de instaladores calificados.

Además de estas instrucciones, el electrodoméstico se debe instalar:

- En los Estados Unidos, de acuerdo con el Código Nacional Eléctrico / códigos estatales y municipales y/o códigos locales.
- En Canadá, de acuerdo con el Código Eléctrico C22.1 Canadiense – última edición/códigos provinciales y municipales y/o códigos locales.

Por favor, lea estas instrucciones de instalación completamente y con cuidado.

Le ahorrarán tiempo y esfuerzo y lo ayudará a asegurar el óptimo rendimiento.

Asegúrese de seguir todas las advertencias y precauciones que se mencionan.

Preste atención a los triángulos con signos de exclamación adentro.



ADVERTENCIA:

Esto indica que el incumplimiento de esta advertencia podría resultar en una lesión grave o fallecimiento.



PRECAUCIÓN:

Esto indica que el incumplimiento de esta advertencia podría resultar en lesión menor o moderadamente grave.

Importante

- **NUEVA INSTALACIÓN** – Si se trata de una nueva instalación del electrodoméstico, la mayor parte del trabajo se debe realizar antes de poner la unidad en el lugar.
- **REEMPLAZO** – Si se trata del reemplazo de otro electrodoméstico, las conexiones para el electrodoméstico que se está reemplazando **se deben verificar para asegurar la compatibilidad** con la nueva unidad y reemplazar según sea necesario.

Inspeccionar el Enfriador de Vinos

Retire la cinta adhesiva, el empaquetado y las cubiertas plásticas.

Luego de desempacar el electrodoméstico y antes de la instalación, inspeccione detenidamente el Enfriador de vinos en busca de posibles daños estéticos o a causa del transporte. Notifique sobre cualquier daño inmediatamente.

NOTA: Por favor, ¡no deseche las bolsas o elementos que vienen con el empaquetado original hasta después de finalizar la instalación completa!

Herramientas necesarias para la instalación



Cinta métrica



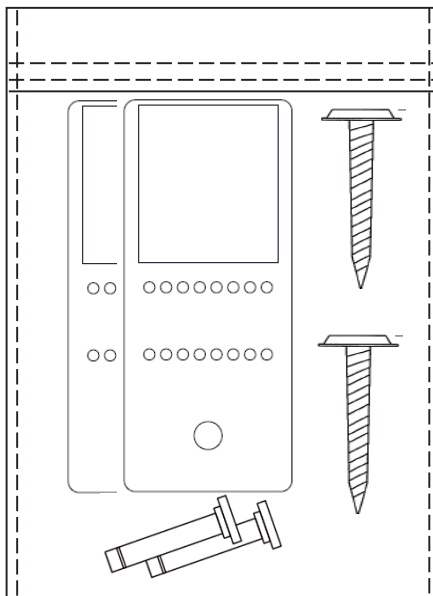
Destornillador Philips



Nivel

Estas son las herramientas que probablemente necesitará para la instalación del electrodoméstico. Sin embargo, si necesita modificar la mesada o ebanistería para encajar la unidad, probablemente necesitará otras herramientas para realizar las modificaciones a la mesada/ebanistería antes de instalar el electrodoméstico.

Materiales provistos

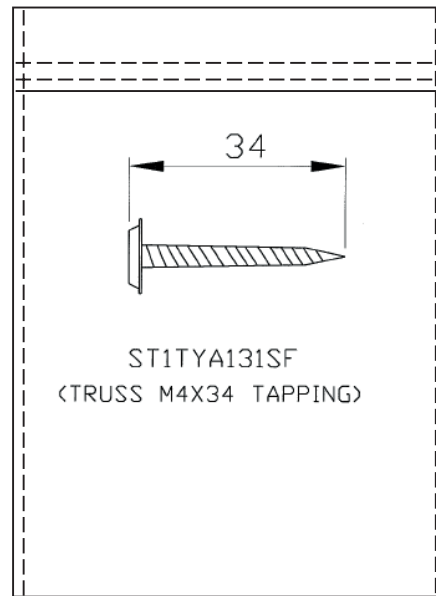


Soporte anti-vuelco. 2 piezas.

Tornillos: 2 piezas.

Clavija tope de puerta: 2

1 espuma aislante (no ilustrada)
de 20 1/2" (520mm) x 29 1/8"
(740mm) x 1/8" (3mm)



Tornillos para el panel de revestimiento:
ST1TYA131SF (TRUSS M4X34 TAPPING).

8 piezas.

**Sólo para los modelos:
T24UW800RP and T24UW800LP.**

Instalar el electrodoméstico

La mayor parte del trabajo de instalación se debe realizar antes de colocar el Enfriador de Vinos en su lugar. Se requiere que un técnico instale y conecte el electrodoméstico de acuerdo con las instrucciones de instalaciones adjuntas.

ADVERTENCIA:

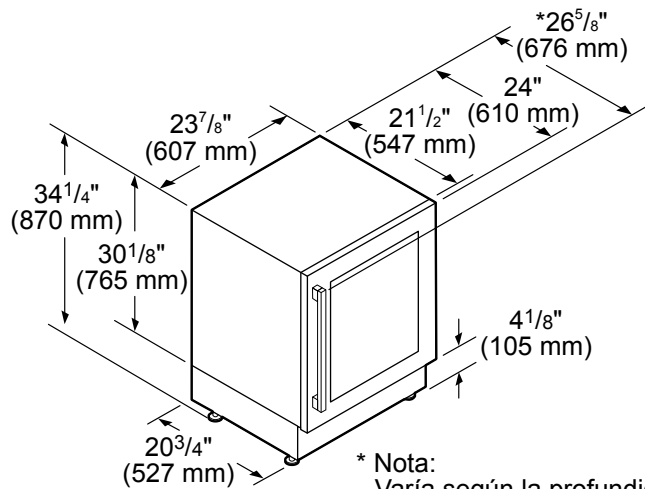
No instale este electrodoméstico:

- En el exterior
- En un lugar donde gotee agua
- En salas donde pueda haber riesgo de congelación

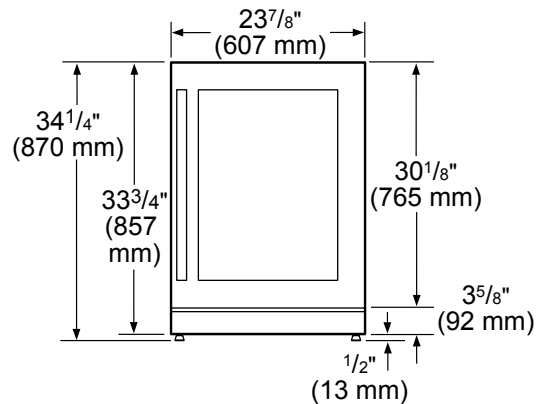
Transportación

El electrodoméstico es pesado y se debe manejar con precaución durante el transporte e instalación. Debido al peso y las dimensiones del electrodoméstico, se necesitan al menos dos personas para mover el electrodoméstico de manera segura y evitar lesiones a las personas o daño al electrodoméstico.

Medidas generales

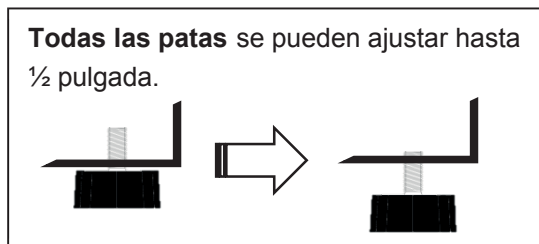


* Nota:
Varía según la profundidad
de la agarradera.



Dimensiones en pulgadas y mm

Nota: con los pies totalmente retraídos, el producto tiene un tamaño mínimo de $34\frac{1}{4}"$ desde el lado superior al lado inferior. Los pies se pueden extraer unas $\frac{1}{2}"$.



Lugar de instalación

El mejor lugar de instalación es un cuarto seco y bien ventilado. El lugar de instalación no debe estar expuesto directamente a los rayos del sol y no debe estar ubicado cerca de una fuente de calor, por ejemplo, horno, radiador, etc.

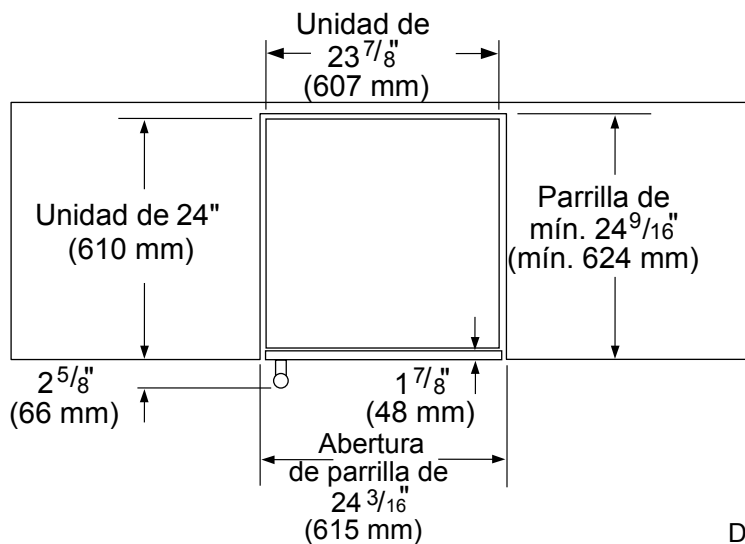
Si no se puede evitar la instalación cerca de una fuente de calor, utilice una placa aislante adecuada o cumpla con lo siguiente distancia mínima entre el electrodoméstico y la fuente de calor:

- De un horno/estufa eléctrica o a gas $1\frac{1}{4}$ " (3 cm).
- De una parrilla de aceite o a carbón $11\frac{13}{16}$ " (30 cm).
- De otro Enfriador de vinos o Refrigerador 1" (2.54 cm)

El piso del lugar de instalación no debe ceder; si es necesario, refuerce el piso. El electrodoméstico debe estar en posición vertical para que funcione correctamente.

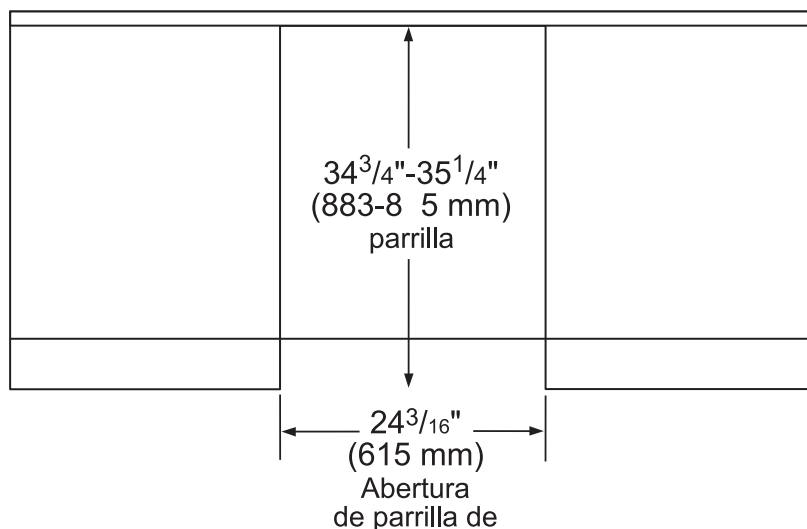
Para la operación y apariencia adecuadas de la unidad, la apertura del gabinete debe ser cuadrada y con las dimensiones como se muestra en los siguientes diagramas.

VISTA SUPERIOR



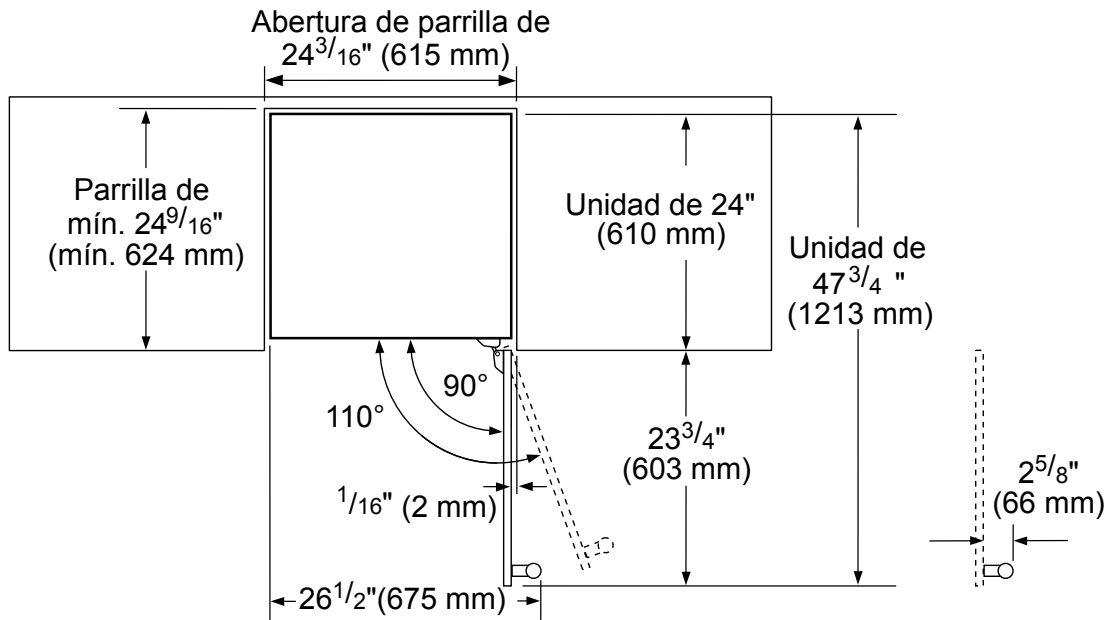
Dimensiones en pulgadas y mm

VISTA FRONTAL

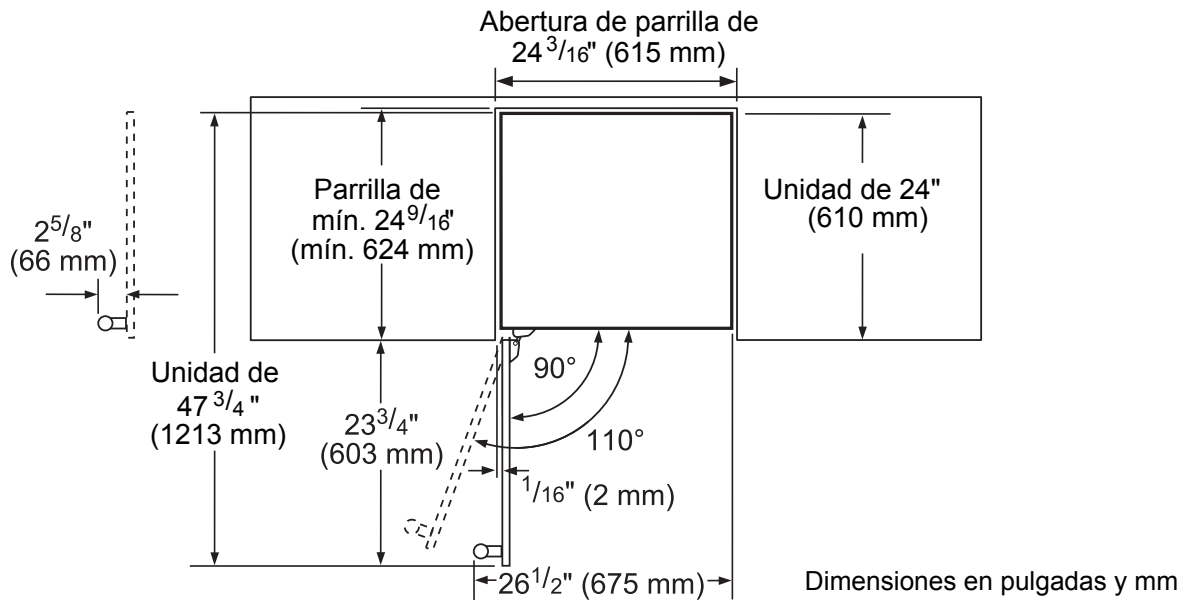


Dimensiones en pulgadas y mm

VISTA SUPERIOR ABIERTA



Dimensiones en pulgadas y mm

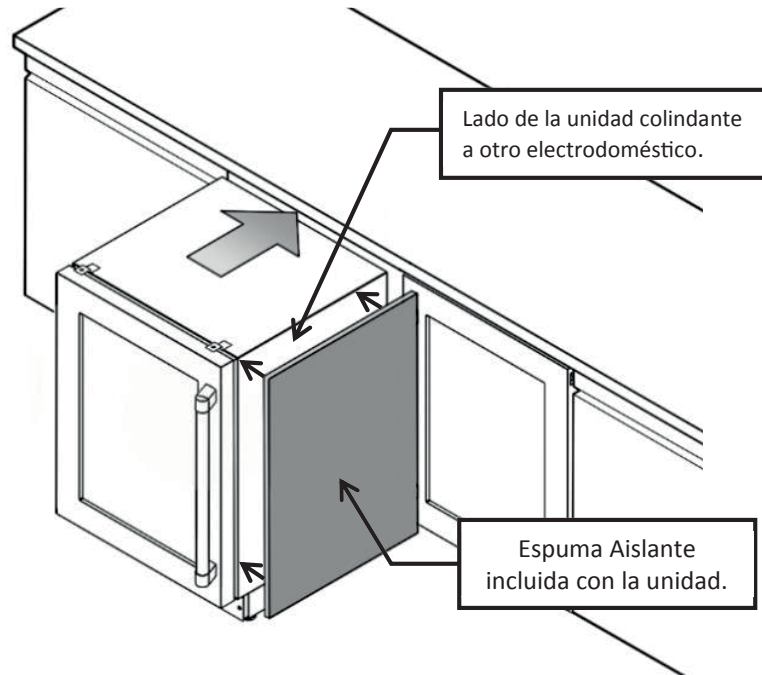


Dimensiones en pulgadas y mm

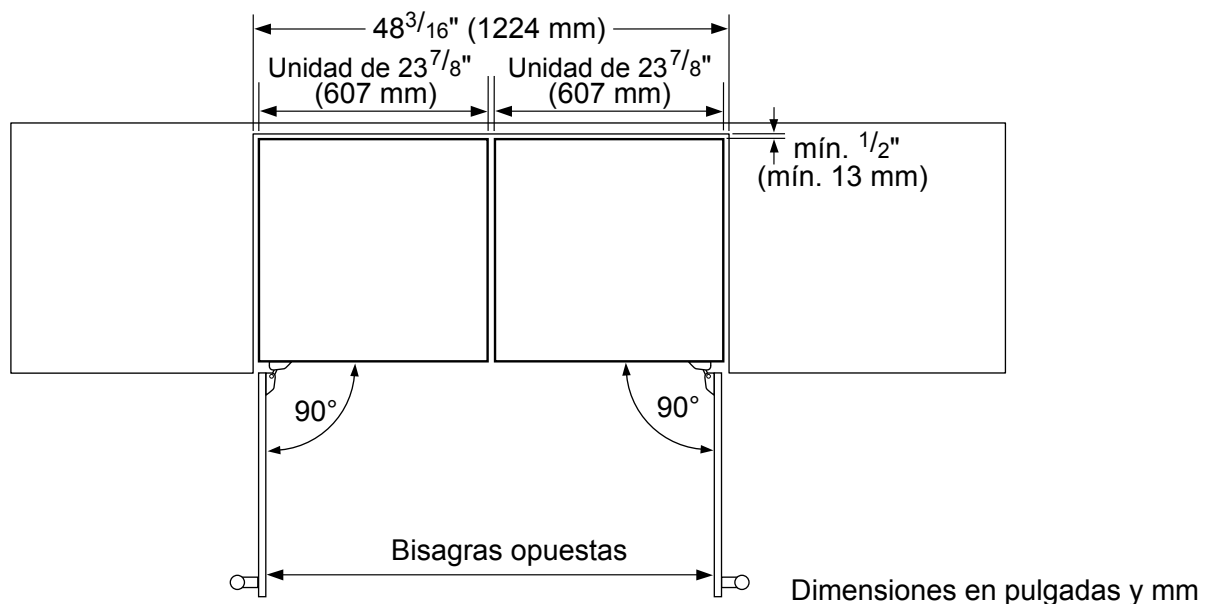
Instalación uno al lado del otro

El electrodoméstico se puede instalar al lado de otro electrodoméstico Thermador. Siga las siguientes dimensiones y notas para la instalación correcta del electrodoméstico en un diseño uno al lado del otro.

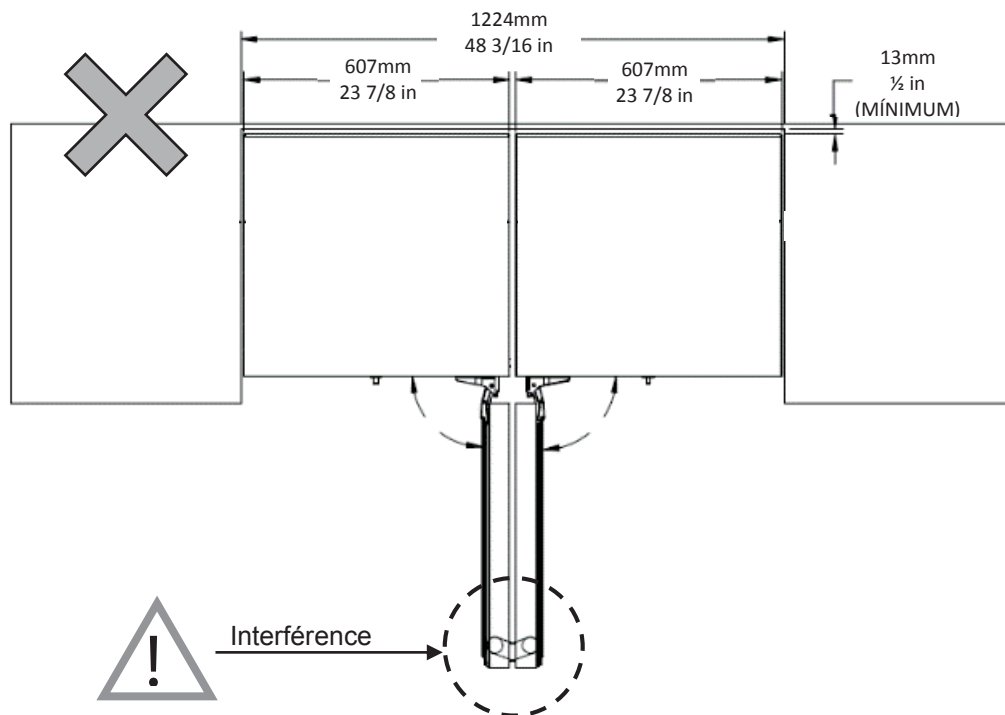
NOTA: Antes de colocar la unidad en su lugar, adhiera la Espuma Aislante (que se incluye con el producto) en el lateral de la unidad que se colocará al lado del electrodoméstico adicional. Asegúrese de que la Espuma Aislante esté pareja con la superficie de la unidad y que no haya burbujas o protuberancias en la Espuma Aislante luego de adherirlo a la unidad.



Instale los electrodomésticos con una configuración de "puerta francesa"; los electrodomésticos con la bisagra a la izquierda debe colocarse del lado opuesto a uno con la bisagra a la derecha.



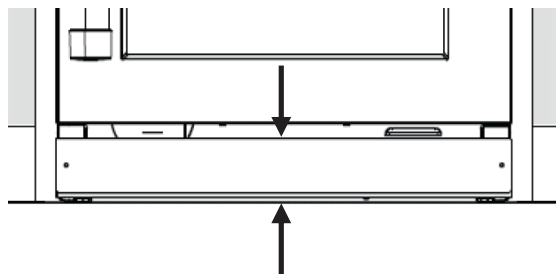
No coloque un electrodoméstico con la bisagra a la derecha junto a un electrodoméstico con una bisagra a la izquierda.



Ventilación

La unidad de Enfriador de Vinos únicamente se ventila a través del rodapié de la base. Nunca cubra esa área ni coloque nada allí. En caso contrario, el rendimiento de refrigeración se verá afectado y la unidad deberá hacer un mayor esfuerzo aumentando el consumo de energía.

Además, asegúrese de que **las 4 patas de nivelación estén extendidas** (la altura de la unidad es aproximadamente de 34³/₄") para que haya suficiente circulación de aire debajo del electrodoméstico.



Conectar el electrodoméstico

Después de instalar el electrodoméstico, espere al menos 1 hora para encender el refrigerador.

Durante su transporte, el aceite en el compresor posiblemente fluyó al sistema de refrigeración.

Antes de ENCENDER el electrodoméstico por primera vez, limpie el interior del refrigerador (ver capítulo "Limpiar el electrodoméstico" en la Guía de uso y cuidado).

Conexión eléctrica

ADVERTENCIA:

Estas instrucciones de instalación son para el uso de instaladores calificados.

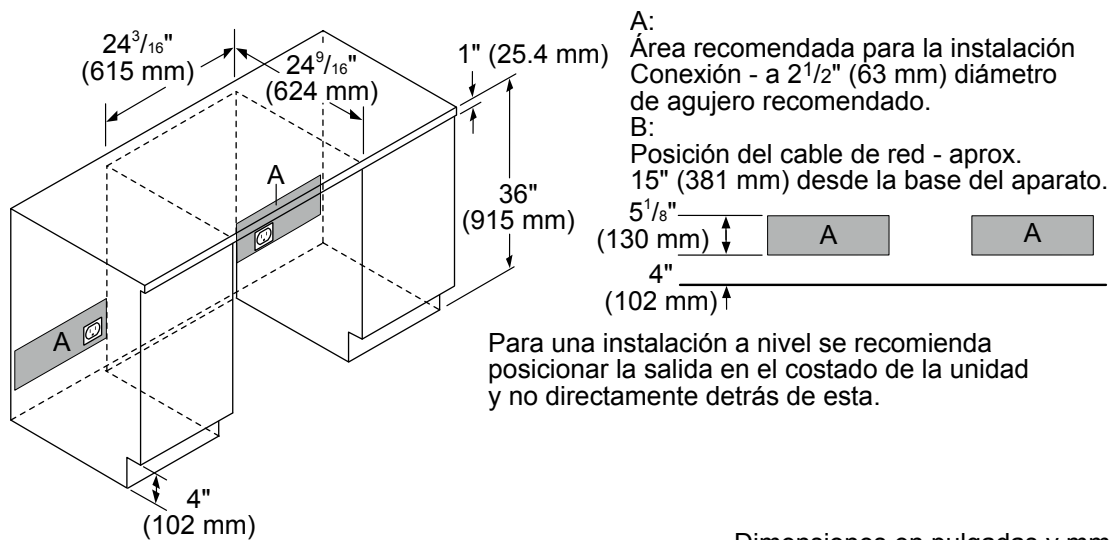
ADVERTENCIA:

¡Evite el riesgo de una descarga eléctrica!
Inserte en una toma con conexión a tierra.
Nunca retire la fase a tierra.
No utilice adaptadores.
No utilice cables de extensión.

ADVERTENCIA:

Es responsabilidad del cliente asegurar que la instalación del electrodoméstico cumpla con todos los códigos y ordenanzas eléctricas nacionales y locales. No cumplir con estas instrucciones puede ocasionar muerte, incendio o descarga eléctrica.

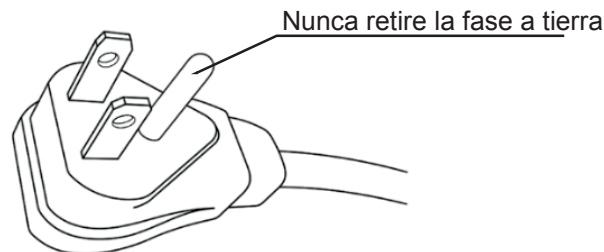
El tomacorriente debe estar cerca del electrodoméstico, a 61" (1550mm) a la derecha del electrodoméstico o 37" (940mm) a la izquierda del electrodoméstico, y también debe ser de fácil acceso luego de la instalación del electrodoméstico para realizar servicios futuros.



Dimensiones en pulgadas y mm

El electrodoméstico cumple con la clase de protección I. Conecte el electrodoméstico a una corriente alterna de 115 V/ 60Hz a través de una tomacorriente correctamente instalada con terminal a tierra.

El electrodoméstico viene con un cable de alimentación de tres patas UL registrado de tipo NEMA 5-15p. El electrodoméstico requiere un tomacorriente de 3 polos.



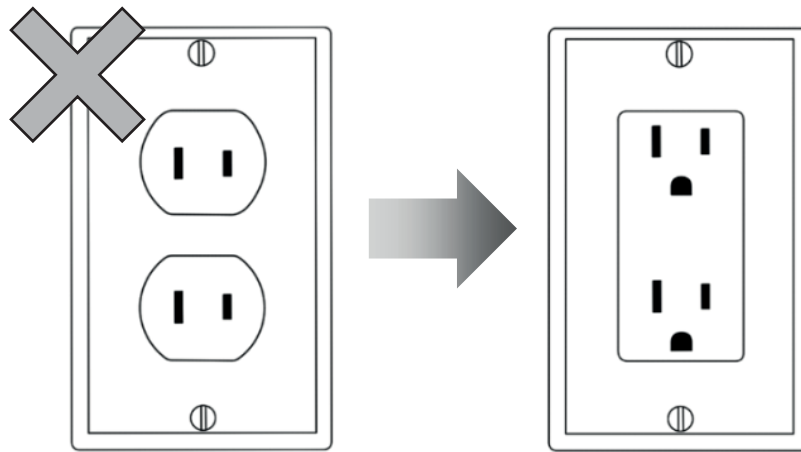
⚠ ADVERTENCIA:

Nunca conecte el electrodoméstico a enchufes eléctricos de ahorro de energía. Este electrodoméstico se puede utilizar con inversores de alimentación de red y sinusoidales. Los inversores de alimentación de red se utilizan para sistemas fotovoltaicos que se conectan directamente a la red nacional. Los inversores sinusoidales se deben usar para aplicaciones aisladas (por ejemplo, en barcos o refugios de montaña) que no se conectan directamente a la red nacional.

El electrodoméstico requiere un enchufe de 3 polos. El enchufe debe ser conectado únicamente por un electricista.

Cuando solo hay un enchufe de pared estándar de 2 polos, es responsabilidad del cliente reemplazar este enchufe por un enchufe de pared de 3 polos debidamente conectado a tierra. No utilice enchufes adaptadores.

Asegúrese de que la ubicación de su Enfriador de vinos tenga un enchufe eléctrico cercano y accesible.



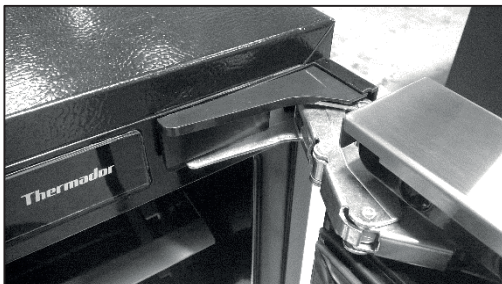
El enchufe de pared estándar de 2 polos debe reemplazarse con un enchufe de 3 polos con conexión a tierra. No utilice adaptadores.

Apertura de la puerta.

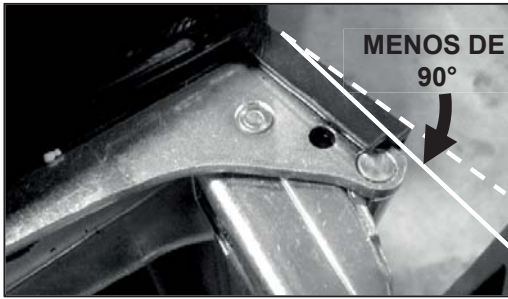
La puerta de su Enfriador de Vinos está configurada por defecto para que se abra 110°. Esto facilita el acceso a la estantería para cargar o limpiar. Sin embargo, si el electrodoméstico está instalado debajo de la mesada, se recomienda instalar clavijas tope de puerta en la bisagra para que no golpee la pared, los gabinetes u otro electrodoméstico instalado al lado del Enfriador de Vinos.

Para instalar la clavija tope de puerta, siga las siguientes instrucciones:

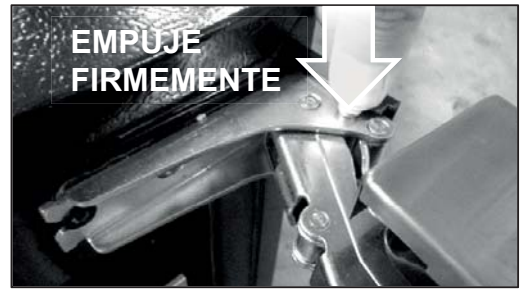
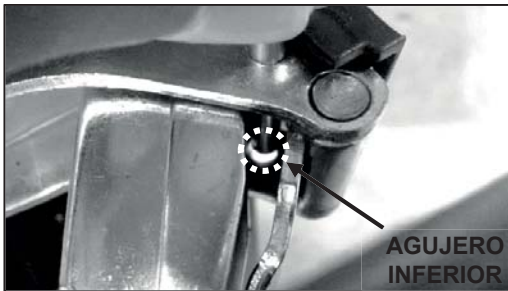
1. Retire la tapa de la bisagra superior tirando de ella en la dirección opuesta de la bisagra. De esta manera se destapará el mecanismo de la bisagra y el agujero para colocar la clavija tope de puerta.



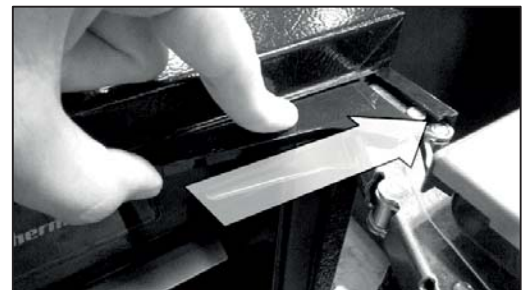
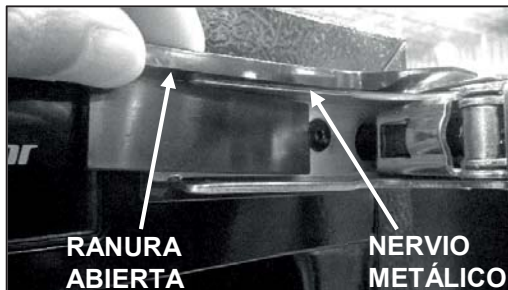
2. Posicione la puerta a menos de 90° para que el mecanismo de la bisagra no obstruya el agujero e inserte la clavija tope de puerta en el agujero.



3. Alinee la clavija con el agujero inferior y empuje la clavija firmemente hasta que quede firme.



4. Ahora vuelva a colocar la tapa de la bisagra para proteger el mecanismo de la bisagra. Primero, asegúrese de que el nervio metálico de la bisagra se encuentra en la ranura abierta de la tapa. Luego, empuje y deslice la tapa firmemente en la dirección de la bisagra hasta que quede firme en su lugar original.

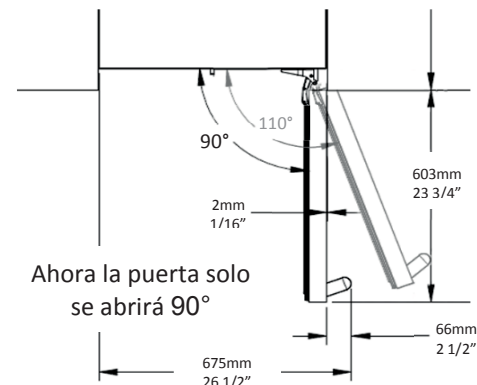


5. Asegúrese de que la tapa de la bisagra se encuentra firme en su lugar. Es importante colocar nuevamente la tapa de la bisagra porque ayuda a proteger el mecanismo de la bisagra y también protege los dedos.



La tapa se ajusta aquí.

Y queda firme debajo de esta lengüeta.



Instalar los soportes anti-vuelco

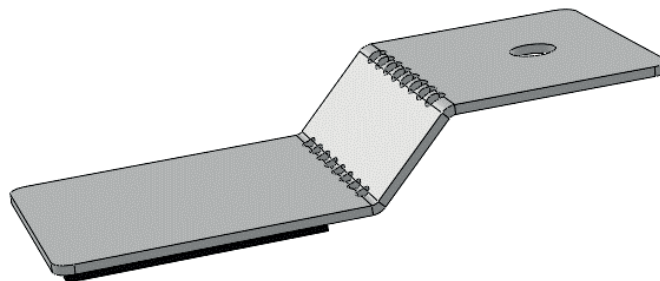
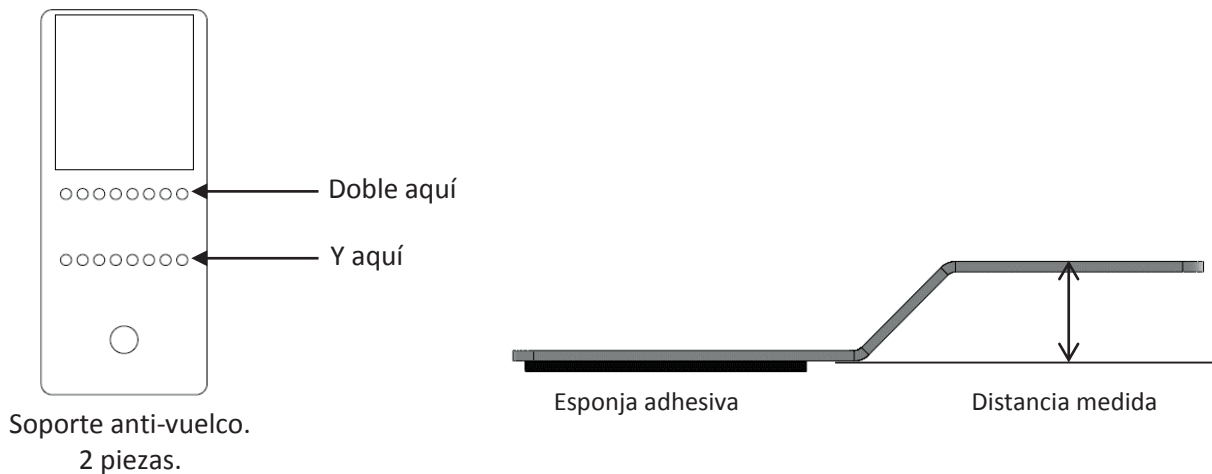
El electrodoméstico incluye dos soportes anti-vuelco. Si su ebanistería no está diseñada para las dimensiones específicas de su electrodoméstico, o si tiene la intención de usar el electrodoméstico como una unidad independiente, debe usar estos soportes anti-vuelco para evitar que su electrodoméstico se incline debido a sobrepeso desequilibrado en situaciones cuando la puerta está abierta y se abren varios estantes.

ADVERTENCIA:

Para evitar que el electrodoméstico se incline debido a sobrepeso desequilibrado, no abra todos los estantes al mismo tiempo. Siempre cierre un estante en el gabinete antes de abrir otro.

Uso como unidad independiente

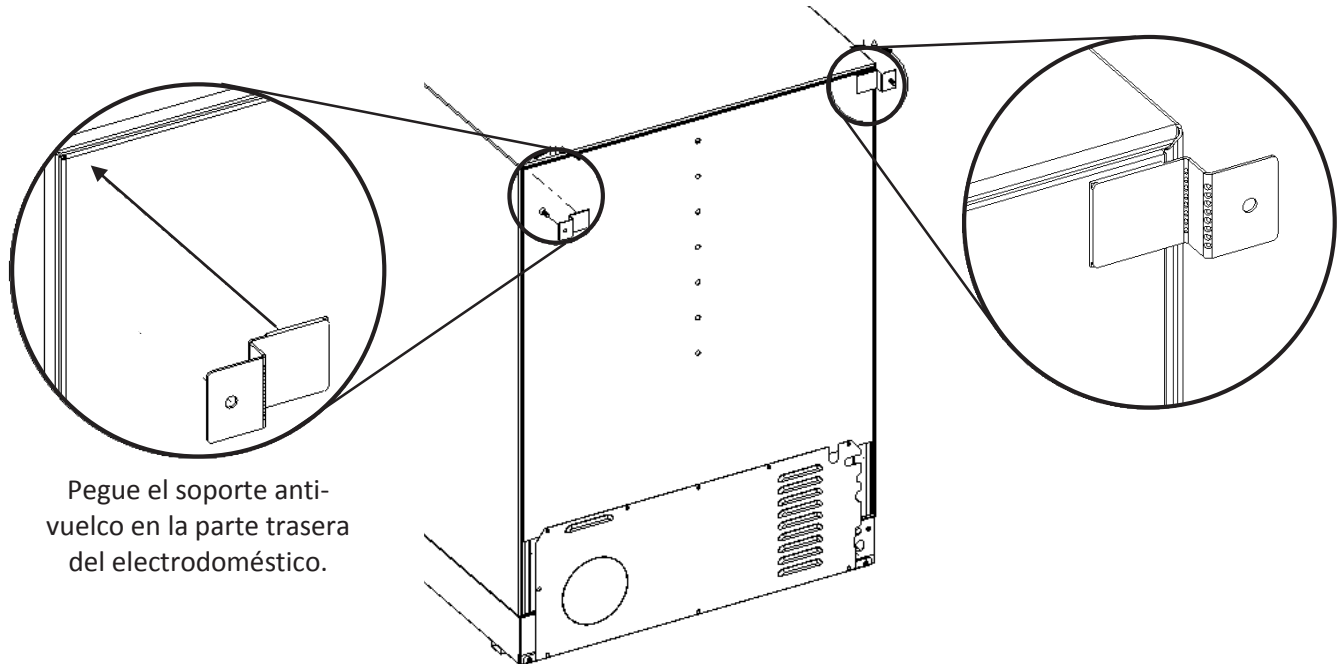
1. Tome en cuenta la distancia necesaria para que el electrodoméstico esté alineado con la parte delantera de su ebanistería. Si no tiene una ebanistería, coloque la unidad cerca de la pared, luego tome la medida del espacio de atrás, entre la unidad y la pared.
2. Según la distancia medida entre la parte de atrás de la unidad y la pared, doble el soporte anti-vuelco (incluido con la unidad) sobre la línea de puntos para formar un "escalón" con la misma Distancia medida.



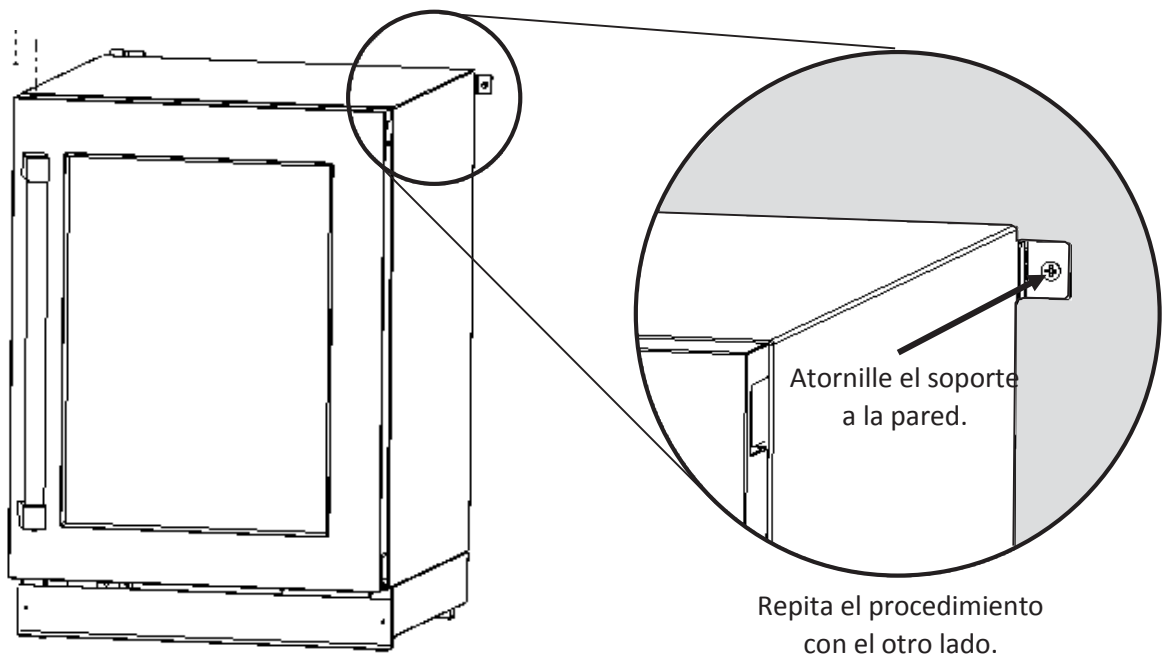
El resultado es una forma de "escalón".

NOTA: Se debe colocar la esponja adhesiva en el fondo del escalón, nunca del otro lado.

3. Retire el protector de la espuma adhesiva y péguela en el soporte anti-vuelco en ambos lado en la parte trasera del electrodoméstico como se muestra en las ilustraciones.

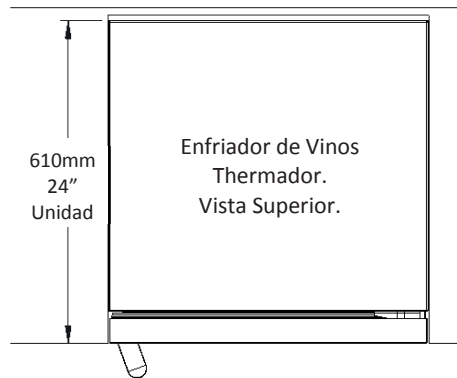


4. Con los soportes anti-vuelco pegados en la parte trasera del electrodoméstico, deslice el electrodoméstico hacia la pared hasta que el soporte anti-vuelco toque la pared. Con los tornillos provistos, ajuste el soporte anti-vuelco a la pared en ambos lados.
NOTA: No ajuste la unidad a una pared en seco. Asegúrese de adjuntar la unidad a una superficie sólida.

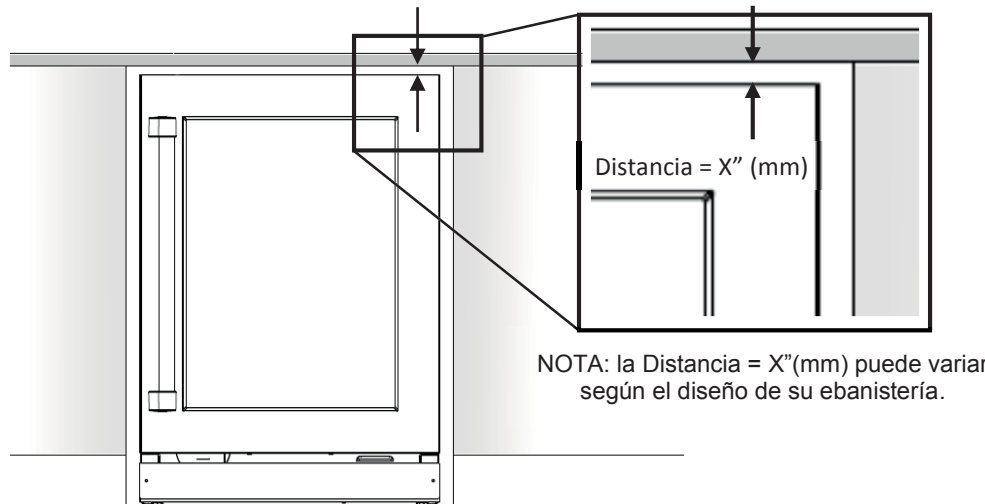


Para uso debajo de la mesada

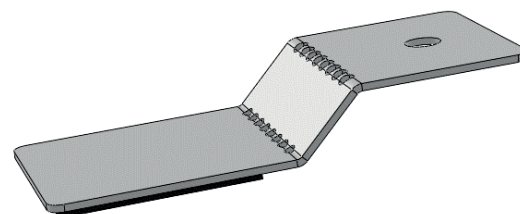
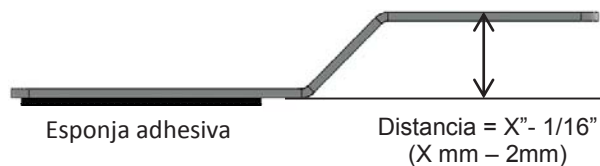
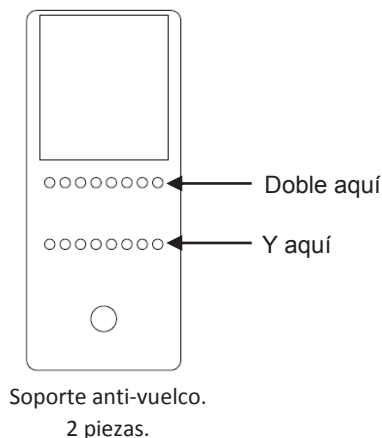
1. Tome en cuenta la distancia necesaria para que el electrodoméstico esté alineado con la parte delantera del mueble de su cocina.



2. Tome la medida desde la parte superior del gabinete de la unidad hasta la parte inferior de la mesada. La medida X"(mm) puede variar según el diseño de la mesada, la extensión de las patas del producto, etc.

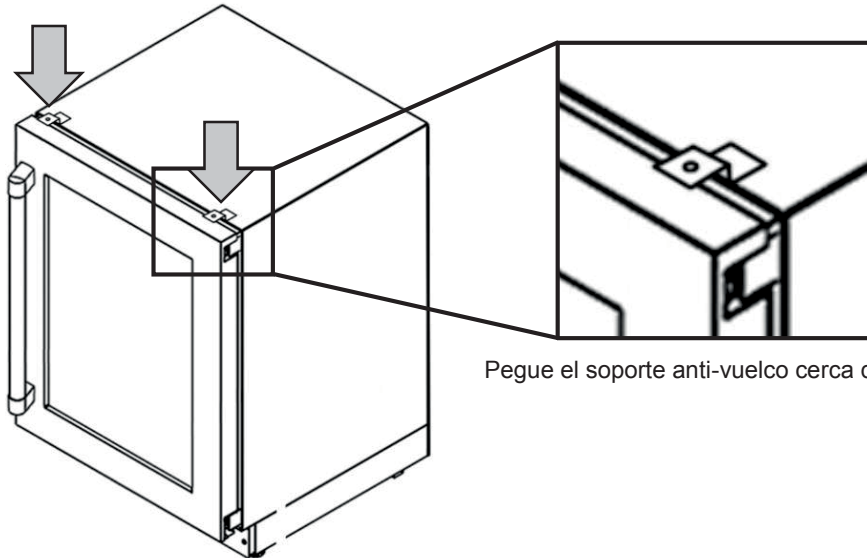


3. Según la Distancia = X" (mm) entre el electrodoméstico y la mesada, doble los soportes anti-vuelco incluidos con el electrodoméstico sobre las líneas de puntos para formar un "escalón" de 1/16" (2mm) más pequeño que la Distancia = X" (mm) medida.



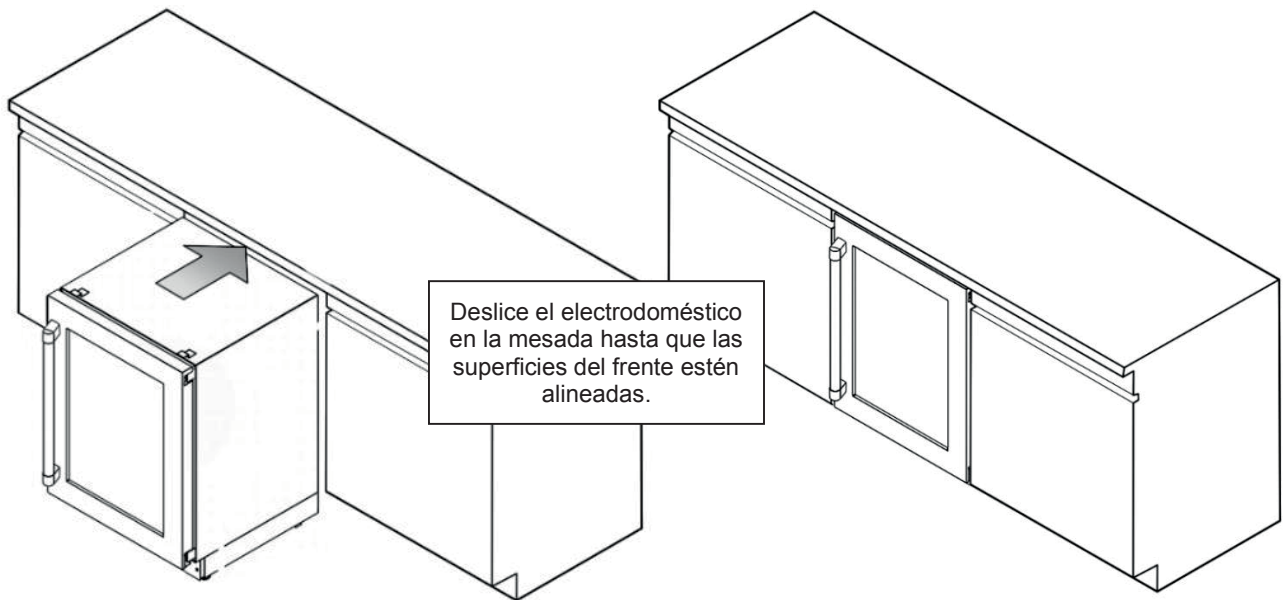
El resultado es una forma de "escalón".
NOTA: Se debe colocar la espuma adhesiva al fondo del escalón, nunca del otro lado.

4. Retire el protector de la esponja adhesiva y pegue el soporte anti-vuelco en la parte superior frontal del electrodoméstico, cerca de las esquinas como se muestra en esta ilustración:

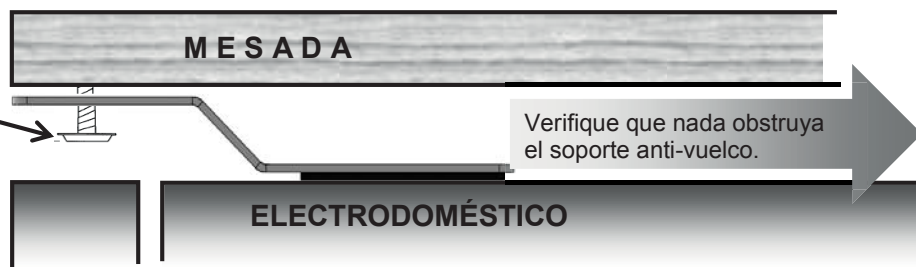


Pegue el soporte anti-vuelco cerca de las esquinas.

5. Deslice el electrodoméstico en el gabinete hasta que la parte delantera del electrodoméstico esté alineado con la parte delantera de la ebanistería. Verifique que nada interfiera u obstruya el soporte anti-vuelco mientras los desliza debajo de la mesada.



Con los tornillos provistos, atornille el soporte anti-vuelco en la mesada para fijar la unidad .



Instalar el marco de revestimiento

(Sólo para modelos T24UW800LP y T24UW800RP)

Si planea instalar un marco de revestimiento personalizado, necesitará crear el marco usted mismo o consultar con un ebanista o carpintero.

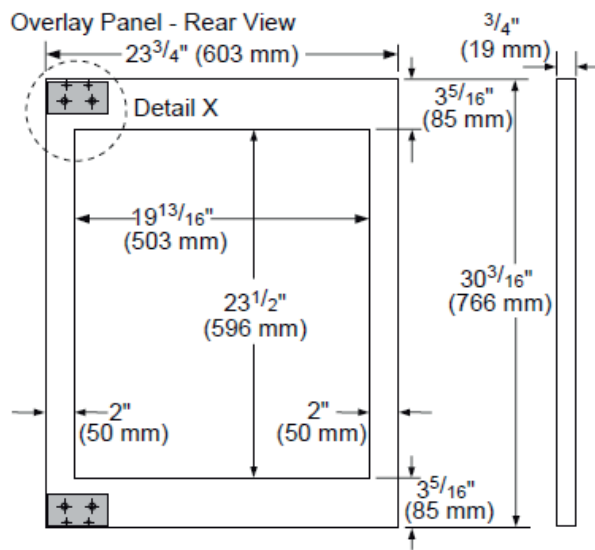
Para obtener las dimensiones detalladas, consulte las especificaciones del marco en el **Anexo A**.

IMPORTANTE:

- El grosor del marco de revestimiento debe ser de $\frac{3}{4}$ " (19mm).
- El marco de revestimiento no debe pesar más de 10lbs (4.54kg).
- Los marcos de revestimiento que pesan más de lo recomendado pueden dañar su electrodoméstico.
- Para instalar el marco, use solo los tornillos incluidos en el "Kit de instalación".

Arme el marco de revestimiento personalizado usando las dimensiones que se muestran.

IMPORTANTE: Los siguientes gráficos muestran un marco personalizado para una puerta con bisagras instaladas a la derecha. Si el Enfriador de vinos tiene bisagras instaladas a la izquierda, rote el marco personalizado 180° para que quede a la izquierda.



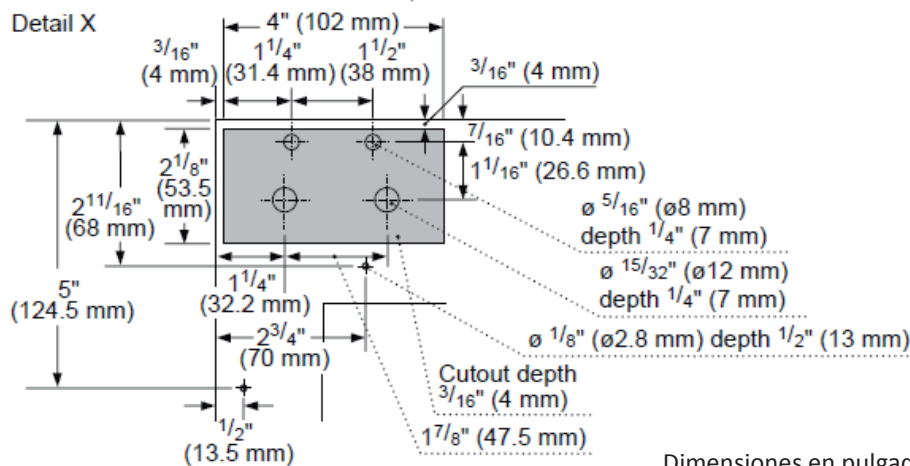
Importante:

La gráfica muestra un marco personalizado para una puerta con las bisagras a mano derecha. Si su Enfriador de Vinos tiene las bisagras instaladas a mano izquierda, gire el marco personalizado 180° para que las preparaciones para las bisagras queden del lado izquierdo.

El grosor del marco personalizado debe ser de $\frac{3}{4}$ " (19mm).

El marco no debe pesar más de 10lbs (4.54 kg).

Marcos que pesen más de lo recomendado



Dimensiones en pulgadas y mm

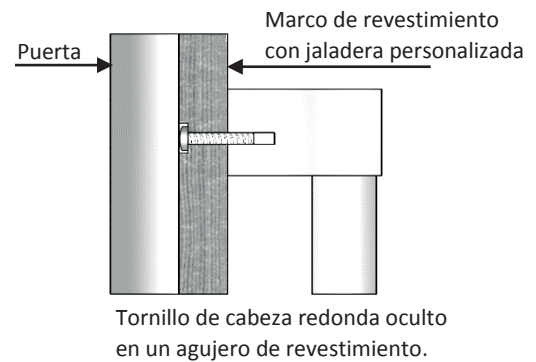
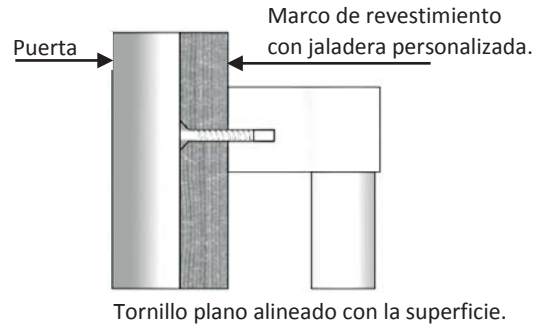
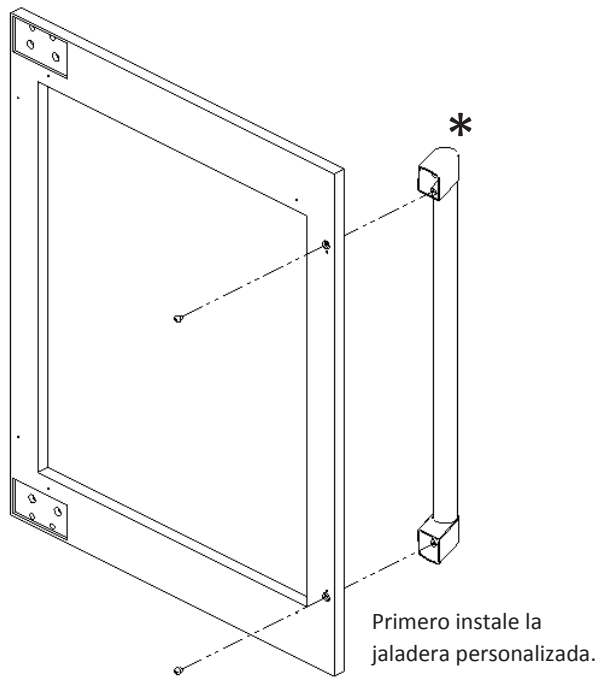
Para obtener las dimensiones detalladas, consulte las especificaciones del marco en el **Anexo A**.

IMPORTANTE: Se recomienda instalar el marco de revestimiento personalizado con la ayuda de otra persona.

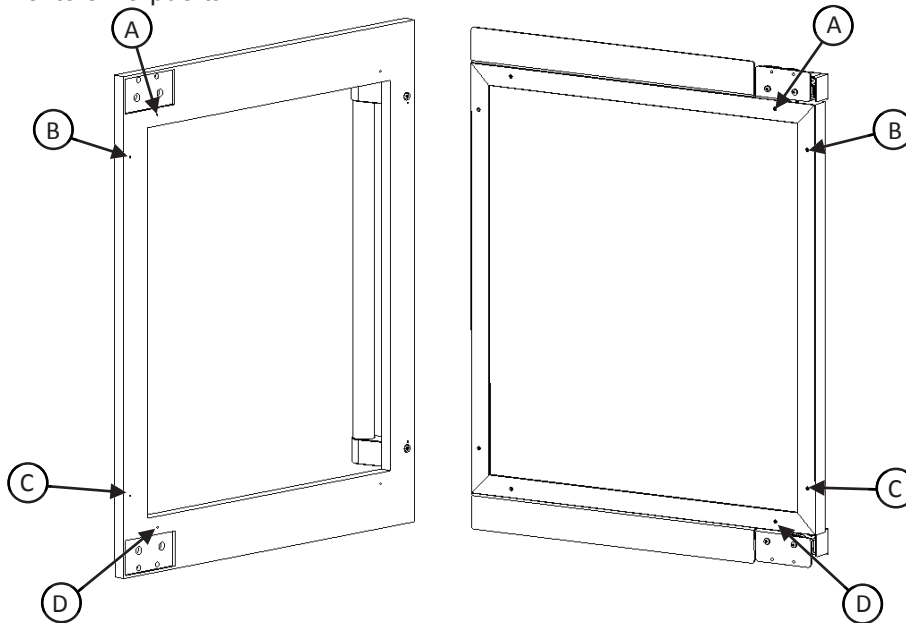
1. Instale la jaladera personalizada de su preferencia en el marco de revestimiento antes de instalar el marco en el cajón.

* Cada jaladera personalizada es diferente y es responsabilidad del cliente realizar los ajustes necesarios para colocar la jaladera en el marco de revestimiento.

Los tornillos que se usan para fijar la jaladera personalizada en el marco deben ser planos y deben quedar a paño con la superficie del marco; si los tornillos no son planos, entonces considere hacer una recesión en el revestimiento, para ocultar la cabeza del tornillo debajo de la superficie del revestimiento, para que los tornillos no interfieran con la ubicación correcta del revestimiento en la puerta.

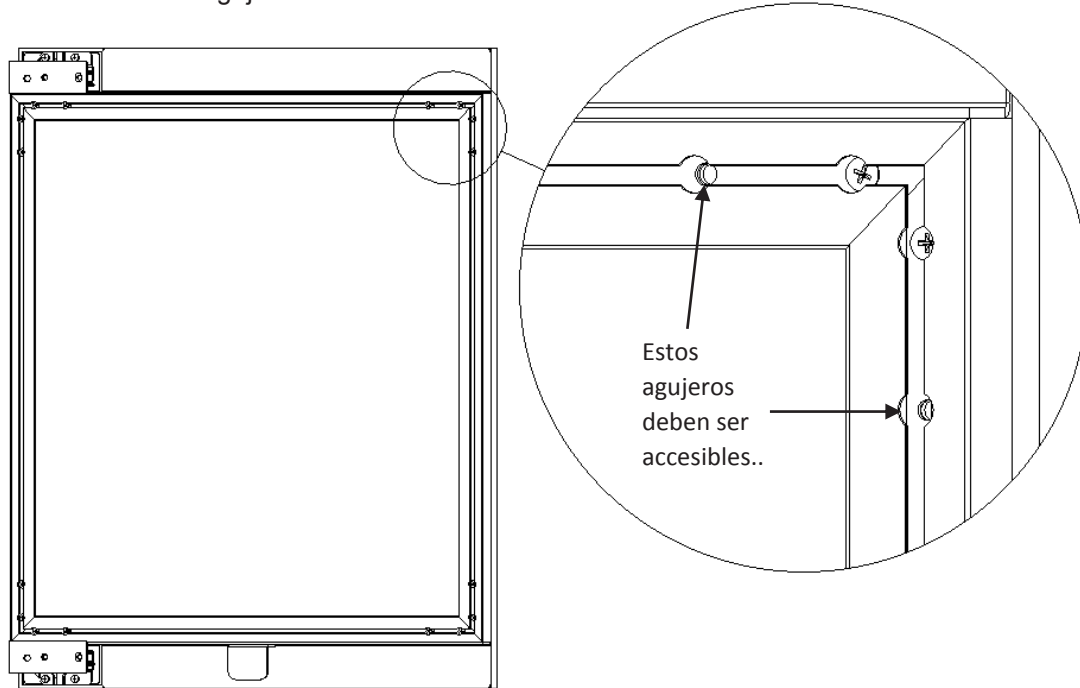


2. Encuentre e identifique cada par de agujeros en el marco de revestimiento que corresponde con los agujeros de la puerta. Cada agujero debe estar alineado para atornillar y ajustar el revestimiento en la puerta.

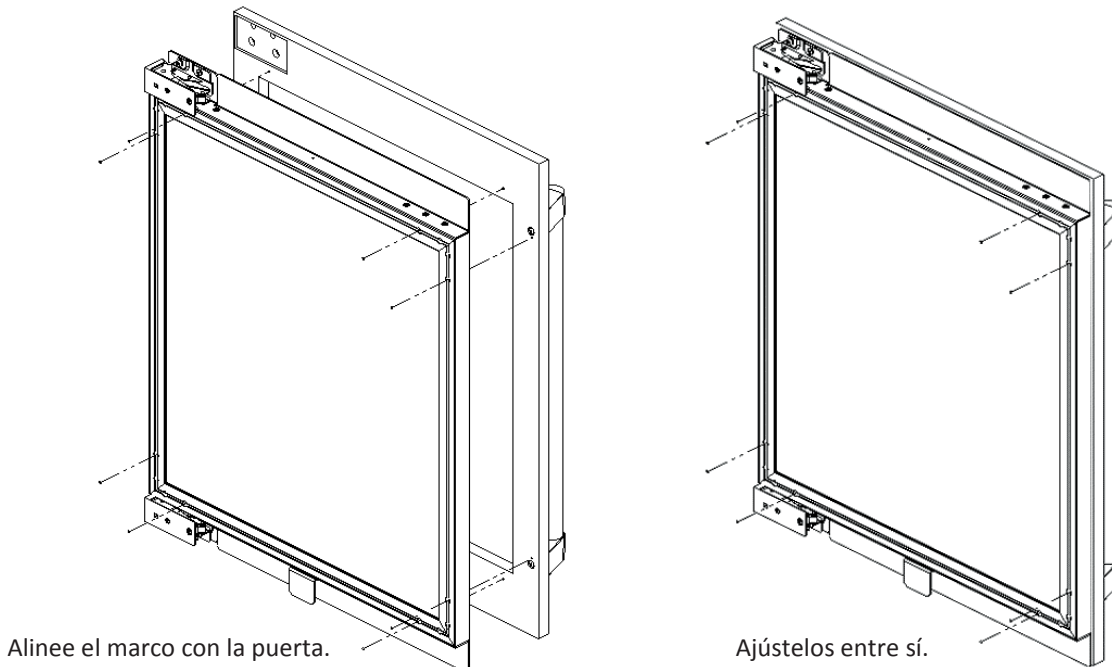


3. Retire el sello magnético de las esquinas de la puerta tirando suavemente hasta que pueda ver los dos tornillos y los dos agujeros. Los dos agujeros deben ser accesibles para atornillar el marco de revestimiento en la puerta. Hay 8 agujeros en total, dos por esquina.

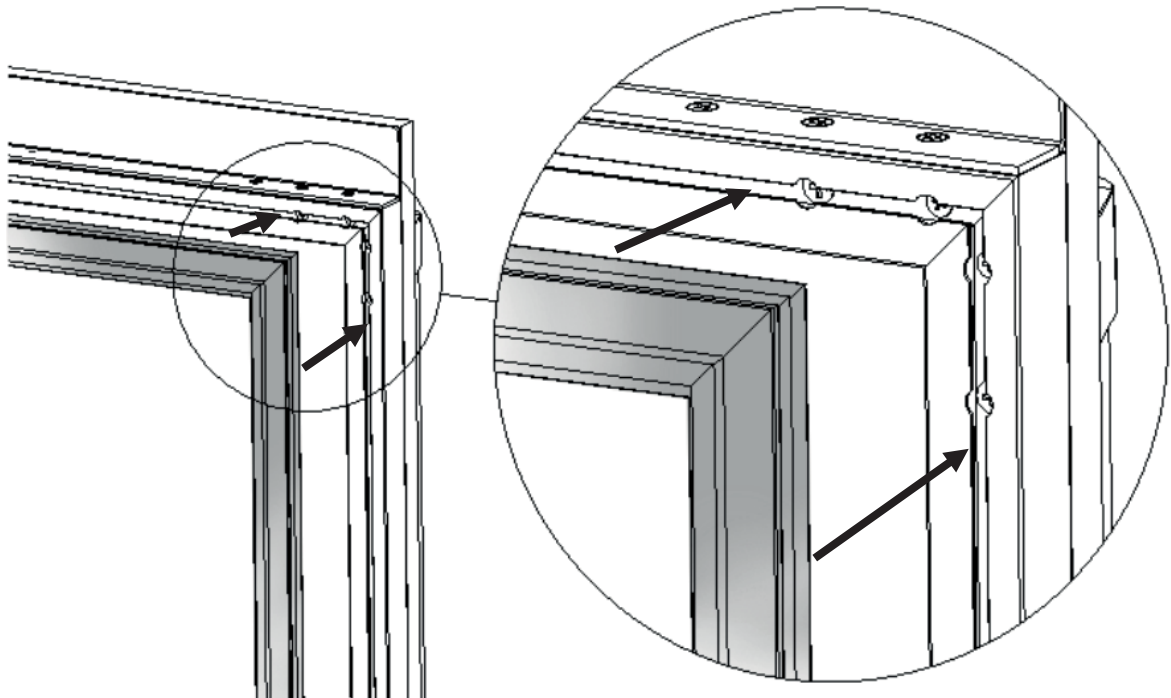
NOTA: No es necesario retirar todo el sello de la puerta, solo retire las esquinas lo suficiente para acceder a los agujeros.



4. Alinee el marco de revestimiento con la puerta y sosténgalo firmemente mientras lo atornilla. Este procedimiento puede ser más fácil con la ayuda de otra persona que sostenga firmemente el marco en su lugar mientras se ajusta. Con los 8 tornillos que se incluyen en el kit de instalación, atornille el marco de revestimiento a la puerta.



- Una vez que el marco de revestimiento esté ajustado firmemente a la puerta con los 8 tornillos, coloque nuevamente el sello magnético en su lugar presionándolo contra la puerta hasta que todo quede alineado y firme en su canal.



Coloque el sello nuevamente en su lugar.

- Ahora, el marco de revestimiento está en su lugar.



Información de servicio al cliente

Si necesita servicio, contacte a su distribuidor o un centro autorizado de servicio. No intente reparar el electrodoméstico usted mismo. Cualquier trabajo realizado por personal no autorizado podrá cancelar la garantía. Si el problema persiste, siga los siguientes pasos (en el orden que se describe a continuación) hasta corregir el problema a su satisfacción.

1. Contacte a su distribuidor o a Servicio al cliente autorizado de Thermador en su área.
2. Envíenos un correo electrónico desde la sección Servicio al Cliente de nuestro sitio web, www.Thermador.com.
3. Escribanos a la siguiente dirección:

BSH Home Appliances Corporation.
1901 Main Street, Suite 600
Irvine, CA 92614

4. Llámenos al: 1-800-735-4328

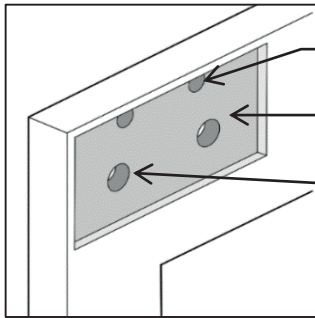
Por favor, incluya (si nos escribe) o tenga a mano (si nos llama) la siguiente información:

- Número de modelo
- Número de serie
- Fecha original de compra
- Fecha en que se originó el problema
- Explicación del problema

Además, si nos escribe, por favor incluya un número de teléfono para contactarlo durante el día. (Encontrará la información sobre el número de modelo y el número de serie en la etiqueta ubicada dentro del gabinete en el lado opuesto a la bisagra).

Anexo A.

Dimensiones detalladas para el marco de revestimiento.



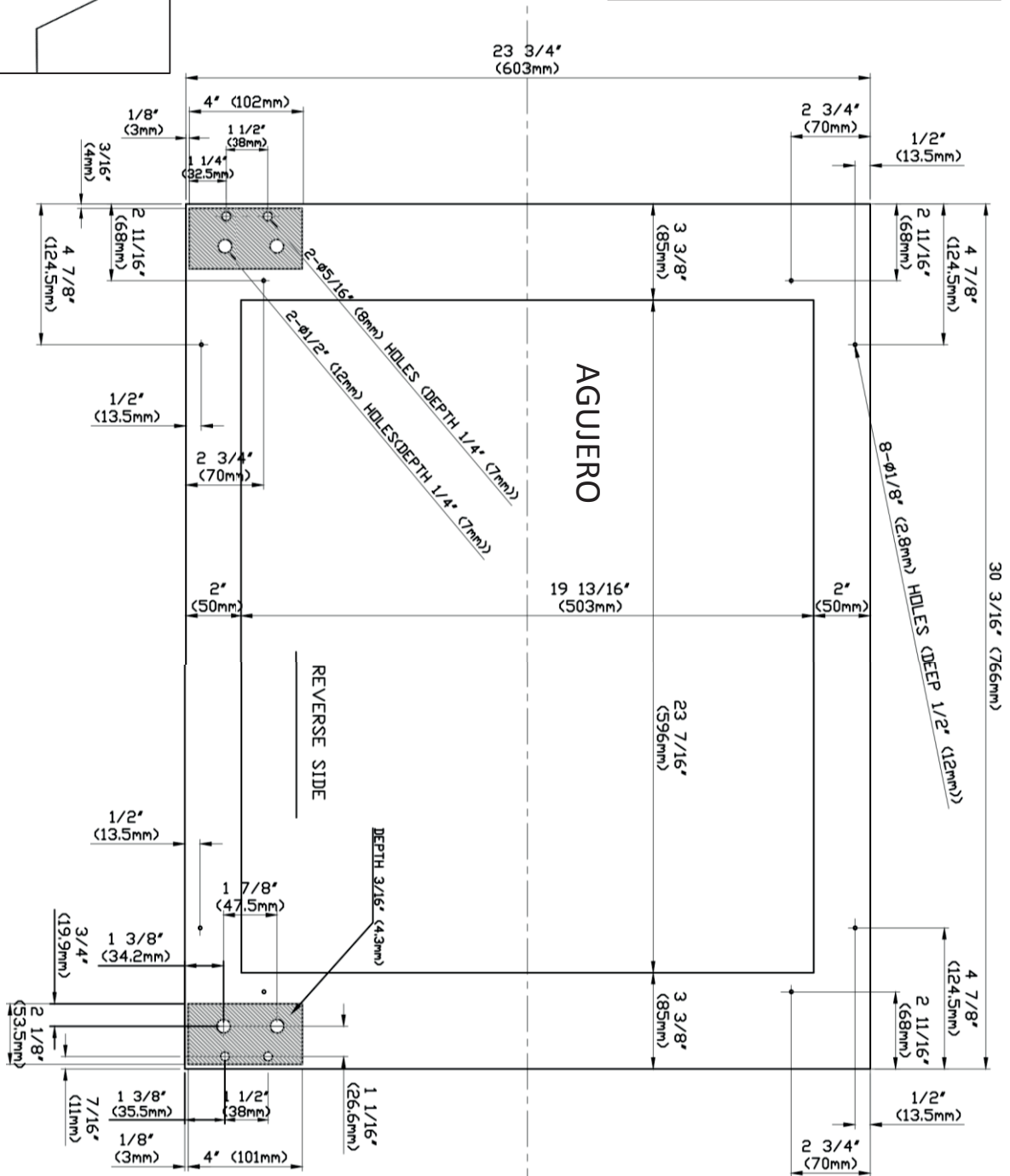
Agujero de $\text{Ø}5/16''$ (8mm). Profundidad: $1/4''$ (7mm)

Profundidad de recorte: $3/16''$ (4mm)

Agujero de $\text{Ø}1/2''$ (12mm) Profundidad: $1/4''$ (7mm)

Importante

- El grosor del marco de revestimiento debe ser de $3/4''$ (19mm).
- El marco de revestimiento no debe pesar más de 10lbs (4.54kg).



Etiqueta de clasificación de datos

La etiqueta de clasificación de datos muestra el número de modelo y de serie de su electrodoméstico. Se encuentra en la parte superior del lado derecho del interior del compartimiento.

Información de servicio

Para tener la referencia a mano, copie la información en el formulario a continuación de la etiqueta de clasificación de datos que se encuentra en la parte superior del lado derecho del interior del compartimiento. Guarde su factura para validar la Garantía.

Número de modelo _____

Número de serie _____

Fecha de compra _____

Nombre del distribuidor _____

Número de teléfono del distribuidor _____

Nombre del centro de servicio _____

Número de teléfono del centro de servicio _____



PN: 8336411965100 / 8001025783

T24UW820LS

T24UW810LS

T24UW820RS

T24UW810RS

T24UW800LP

T24UW800RP

5/2017

Printed in Mexico

Impreso en México

Imprime au Mexique