

24" Wide Bottom Mount Refrigerator

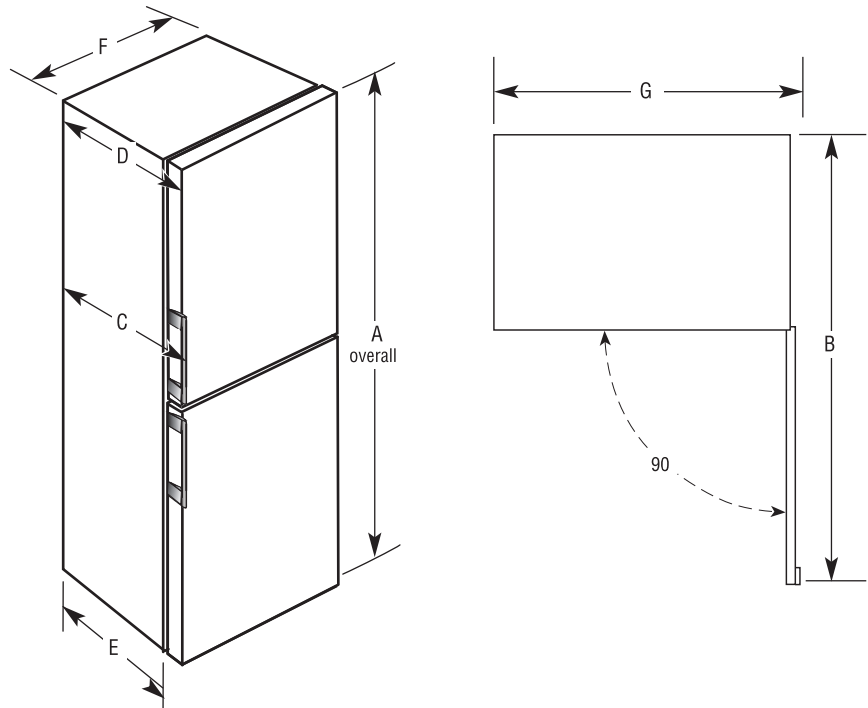
PRODUCT MODEL NUMBERS

URB551WNEM

Electrical: A 115-volt, 60-Hz, AC-only, 15- or 20-amp fused, grounded electrical supply is required. It is recommended that a separate circuit serving only your refrigerator be provided. Use an outlet that cannot be turned off by a switch. Do not use an extension cord.

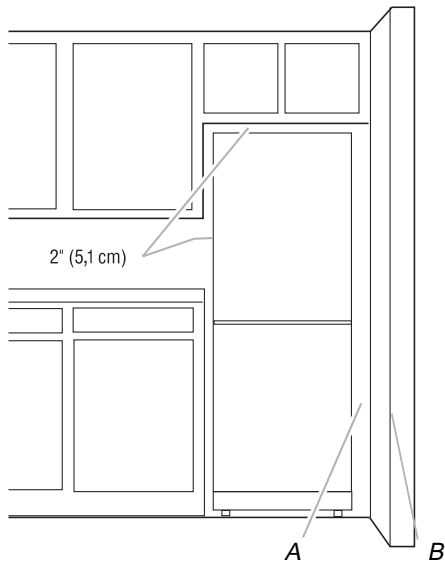
NOTE: Before performing any type of installation, cleaning, or removing a light bulb, disconnect the refrigerator from the electrical source. When you are finished, reconnect the refrigerator to the electrical source.

PRODUCT DIMENSIONS



Model Number	Model Size	Height - Overall "A"	Depth - Door Open 90° "B"	Depth - With Handles "C"	Depth - Overall "D"	Depth - Cabinet Only "E"	Width - Cabinet "F"	Width - Door open 90° "G"
URB551WNEM	11.32 cu. ft.	74 ² / ₅ " (189 cm)	47 ⁹ / ₁₀ " (121.7 cm)	27 ⁹ / ₁₀ " (68.8 cm)	25 ⁴ / ₅ " (65.6 cm)	23 ¹ / ₂ " (59.7 cm)	23 ² / ₅ " (59.5 cm)	23 ² / ₅ " (59.5 cm)

LOCATION REQUIREMENTS



IMPORTANT: This refrigerator is designed for indoor, household use only. To ensure proper ventilation, allow for 2" (5,1 cm) of space between the top of the refrigerator and overhead cabinets and between the back of the refrigerator and the wall. If your refrigerator has an ice maker, allow extra space at the back for the water line connections. When installing your refrigerator next to a fixed wall, leave a 0.2" (0.5cm) minimum space between the refrigerator and wall to allow the door to swing open.

NOTES:

- Keep the refrigerator ventilation openings clear.
- This refrigerator is intended for use in a location where the temperature ranges from a minimum of 50°F (10°C) to a maximum of 110°F (43°C). The preferred room temperature range for optimum performance, which reduces electricity usage and provides superior cooling, is between 61°F (16°C) and 110°F (43°C). It is recommended that you do not install the refrigerator near a heat source, such as an oven or radiator.

Fixed Wall (B)

Minimum Space (A)

less than 47 ⁷/₈" (121.6 cm)

02" (0.5cm)

47 ⁷/₈" (121.6 cm) or more

1.57" (4 cm)