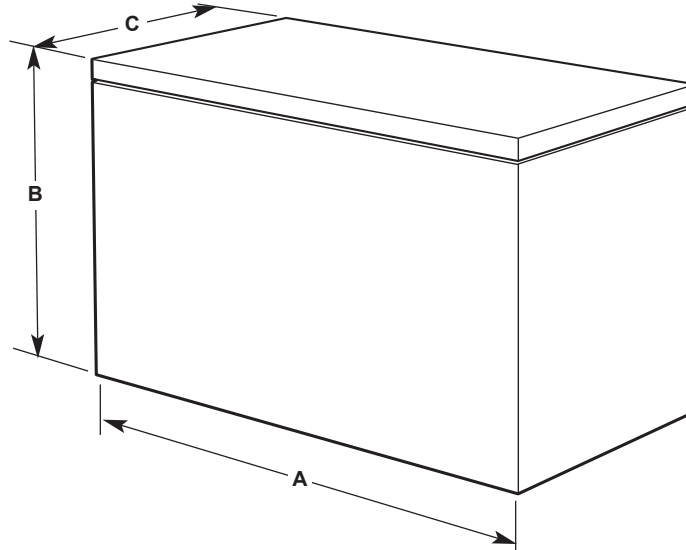


Whirlpool® Chest Freezer

PRODUCT MODEL NUMBERS

EH050FXR	EH150FXR
EH070FXR	EH151FXR
EH101FXR	EH221FXR

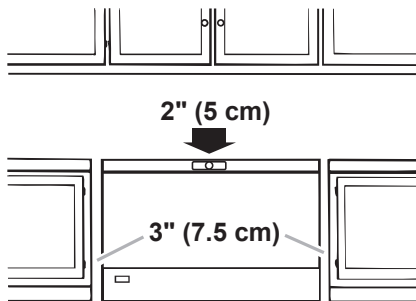
OVERALL DIMENSIONS



Electrical: A 115 Volt, 60 Hz., AC only 15 or 20 amp fused (or circuit breaker), grounded electrical supply is required. It is recommended that a separate circuit serving only your freezer be provided. Use an outlet that cannot be turned off by a switch. Do not use an extension cord.

Model	Width "A"	Height "B"	Depth "C"
EH050FXR	23.5"	34.8"	30.0"
EH070FXR	31.5"	34.7"	24.2"
EH101FXR	42.1"	34.7"	24.2"
EH150FXR	46.1"	34.7"	29.5"
EH151FXR	46.1"	34.7"	29.5"
EH221FXR	64.9"	34.7"	29.5"

LOCATION REQUIREMENTS



Allow at least 3 in. (7.5 cm) of air space on both sides of the freezer and 2 in. (5 cm) between the back of the freezer and the wall. Leave room above the freezer to open the lid.

Your freezer operates most efficiently when located in an area where the temperature is normally between 32°F (0°C) and 110°F (43°C).

Do not install the freezer near an oven, radiator or other heat source.