



Undercounter Dishwasher

PRODUCT MODEL NUMBERS

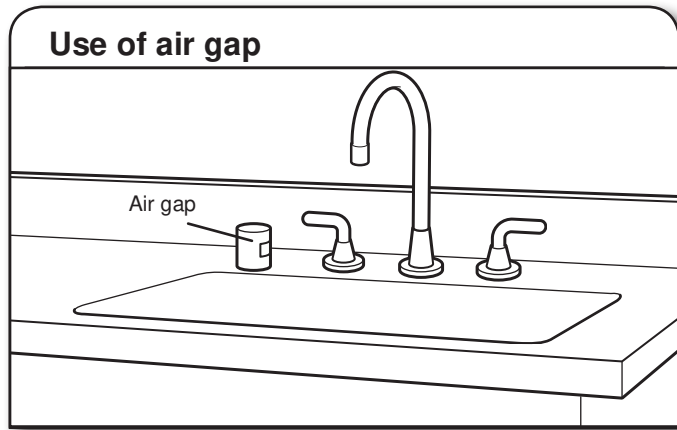
WDF110PAB	WDF320PAD	WDT710PAH
WDF111PAB	WDF330PAH	WDT720PAD
WDF120PAF	WDF331PAH	WDT730PAH
WDF121PAF	WDF520PAD	WDT735PAG
WDF130PAH	WDF540PAD	WDT735PAH
WDF131PAH	WDF545PAF	

DRAIN REQUIREMENTS

A new drain hose is supplied with your dishwasher. If drain hose is not long enough, use a new drain hose with a maximum length of 12 ft (3.7 m) that meets all current AHAM/IAPMO test standards, is resistant to heat and detergent, and fits the 1" (25 mm) drain connector of the dishwasher. See the "Tools and Parts" section at the front of the guide for part details and orders.

Make sure to connect drain hose to waste tee or disposer inlet above drain trap in house plumbing and 20" (508 mm) minimum above the floor. It is recommended that the drain hose either be looped up and securely fastened to the underside of the counter or be connected to an air gap.

Make sure to use an air gap if the drain hose is connected to house plumbing lower than 20" (508 mm) above subfloor or floor.



If required, the air gap should be installed in accordance with the air gap installation instructions. When you are connecting the air gap, a rubber hose (not provided) will be needed to connect to the waste tee or disposer inlet.

Use 1/2" minimum I.D. drain line fittings.

WATER SUPPLY REQUIREMENTS

This dishwasher has a water heating feature and also requires a connection to a hot water supply line.

A hot water line with 20 to 120 psi (138 to 862 kPa) water pressure can be verified by a licensed plumber.

120°F (49°C) water at dishwasher

3/8" O.D. copper tubing with compression fitting or flexible braided water supply line. See the "Tools and Parts" section at the front of the guide for part details and orders.

NOTE: 1/2" minimum plastic tubing is not recommended.

A 90° elbow with 3/4" hose connection with rubber washer. See the "Tools and Parts" section at the front of the guide for part details and orders.

Do not solder within 6" (152 mm) of the water inlet valve.

If installed in new construction, make sure the house water supply lines have been flushed prior to connecting the dishwasher to remove any debris that may exist in the supply line.

NOTE: If replacing an existing dishwasher, it is recommended to install a new water line (see the "Tools and Parts" section at the front of the guide for part details) and drain hose (supplied) with the new dishwasher.

ELECTRICAL REQUIREMENTS

You Must Have:

120-volt, 60 Hz, AC-only, 15- or 20-amp, fused electrical supply

Copper wire only

A maximum of 2 field wiring supply conductors (12 AWG largest size) plus 1 grounding conductor are permitted in the terminal box.

We Recommend:

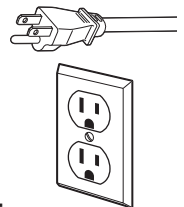
A time-delay fuse or circuit breaker

A separate circuit

If Connecting Dishwasher with a Power Cord:

Use a UL Listed power cord kit marked for use with dishwasher. See the "Tools and Parts" section at the front of the guide for part details and orders.

Plug into a grounded 3 prong outlet. Outlet must meet all local codes and ordinances.



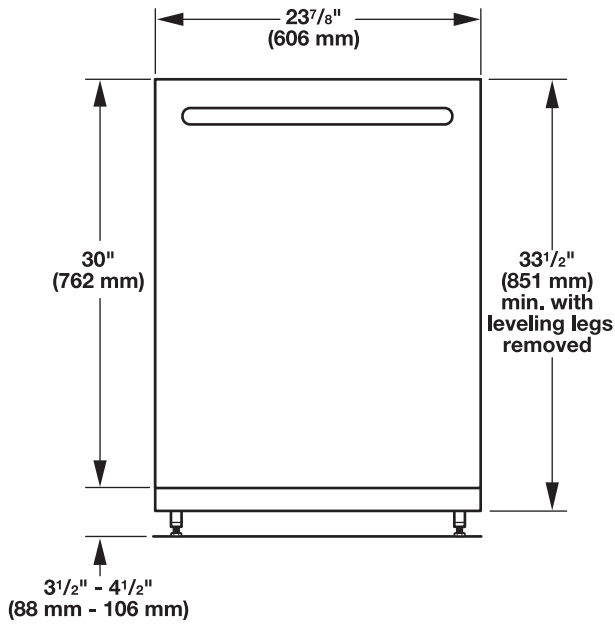
If Connecting Dishwasher with Direct Wiring:

Use flexible, armored, or nonmetallic sheathed copper wire with grounding wire that meets the wiring requirements for your home and local codes and ordinances.

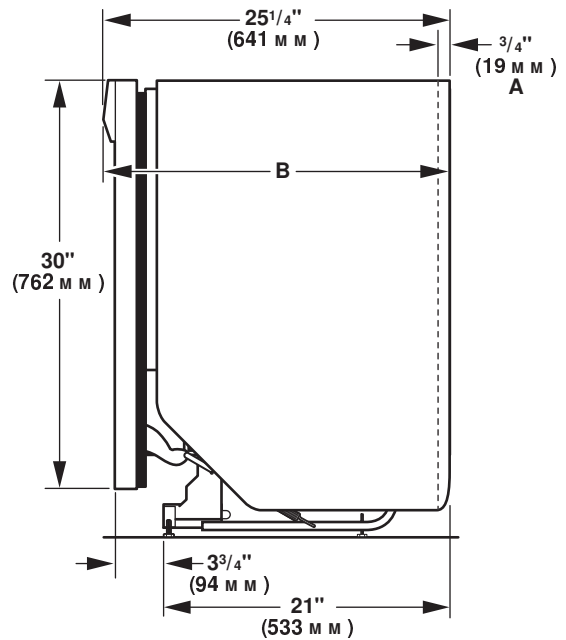
Use a UL Listed/CSA Approved metallic strain relief.



PRODUCT AND CABINET OPENING DIMENSIONS

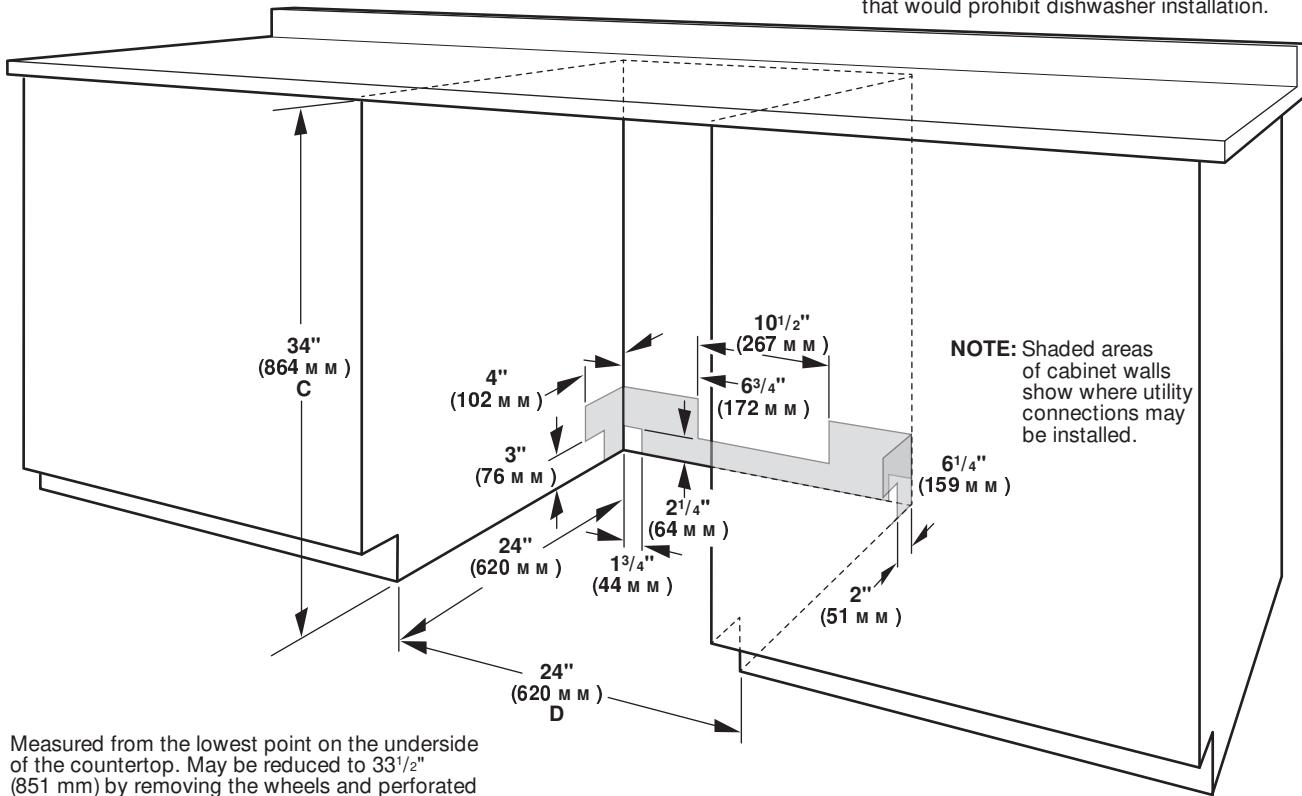


For 4" (100 mm) toe kick, height of cabinet opening is 34¹/₂" (863 mm).



- A. Insulation may be compressed (not used on all models).
- B. Door handles may protrude forward of the face of the dishwasher, (varies by model).

Check that all surfaces have no protrusions that would prohibit dishwasher installation.



NOTE: Shaded areas of cabinet walls show where utility connections may be installed.

- C. Measured from the lowest point on the underside of the countertop. May be reduced to 33¹/₂" (851 mm) by removing the wheels and perforated area of insulation (blanket) on dishwasher.
- D. Minimum, measured from narrowest point of opening.