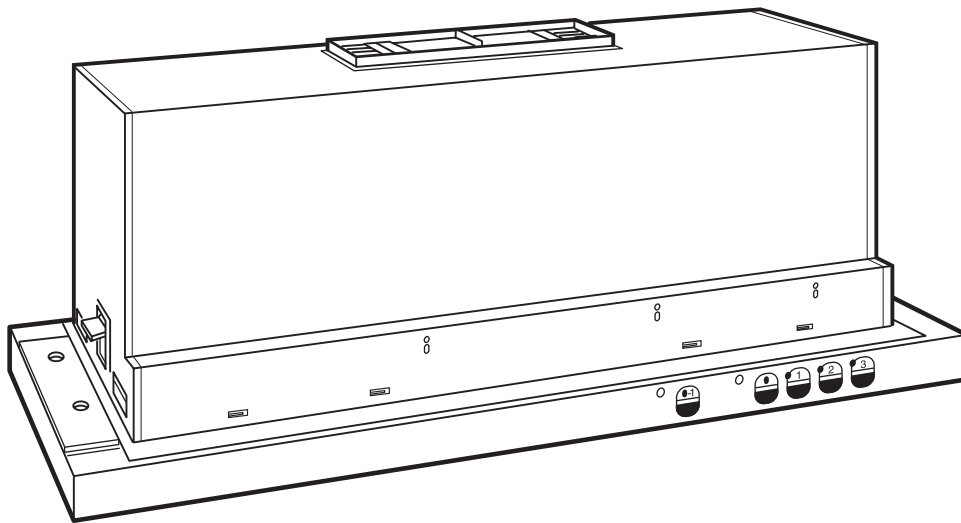

30" (76.2 CM) AND 36" (91.4 CM) SLIDE-OUT RANGE HOOD

Installation Instructions and Use & Care Guide

HOTTE D'ASPIRATION AVEC MODULE DE COMMANDE EXTRACTIBLE DE 30" (76,2 CM) ET 36" (91,4 CM)

Instructions d'installation et Guide d'utilisation et d'entretien

Table of Contents/Table des matières..... 2



**IMPORTANT: READ AND SAVE THESE INSTRUCTIONS.
FOR RESIDENTIAL USE ONLY.**
**IMPORTANT : LIRE ET CONSERVER CES INSTRUCTIONS.
POUR UTILISATION RÉSIDENIELLE UNIQUEMENT.**

TABLE OF CONTENTS

RANGE HOOD SAFETY	3
INSTALLATION REQUIREMENTS	4
Tools and Parts	4
Location Requirements	4
Venting Requirements	5
Electrical Requirements	7
INSTALLATION INSTRUCTIONS	7
Prepare Location	7
Install Range Hood	10
Electrical Connection	11
Connect the Vent System	11
Optional Front Trim Kits	12
RANGE HOOD USE	12
KVVU Model Series	12
GZ and IH Model Series	13
RANGE HOOD CARE	13
Cleaning	13
Replacing the Bulb	14
WIRING DIAGRAMS	15
ASSISTANCE OR SERVICE	17
In the U.S.A.	17
In Canada	17
WARRANTY	18

TABLE DES MATIÈRES

SÉCURITÉ DE LA HOTTE D'ASPIRATION	19
EXIGENCES D'INSTALLATION	21
Outils et composants	21
Exigences d'emplacement	21
Exigences concernant l'évacuation	22
Spécifications électriques	24
INSTRUCTIONS D'INSTALLATION	24
Préparation de l'emplacement	24
Installation de la hotte	27
Raccordement électrique	28
Raccordement du circuit d'évacuation	28
Ensembles de garniture avant (facultatif)	29
UTILISATION DE LA HOTTE	29
Modèles de série KVVU	29
Modèles de série GZ et IH	30
ENTRETIEN DE LA HOTTE	30
Nettoyage	30
Remplacement de l'ampoule	31
SCHÉMAS DE CÂBLAGE	32
ASSISTANCE OU SERVICE	34
GARANTIE	35

RANGE HOOD SAFETY

Your safety and the safety of others are very important.

We have provided many important safety messages in this manual and on your appliance. Always read and obey all safety messages.



This is the safety alert symbol.

This symbol alerts you to potential hazards that can kill or hurt you and others.

All safety messages will follow the safety alert symbol and either the word "DANGER" or "WARNING."

These words mean:

⚠ DANGER

You can be killed or seriously injured if you don't immediately follow instructions.

⚠ WARNING

You can be killed or seriously injured if you don't follow instructions.

All safety messages will tell you what the potential hazard is, tell you how to reduce the chance of injury, and tell you what can happen if the instructions are not followed.

IMPORTANT SAFETY INSTRUCTIONS

WARNING: TO REDUCE THE RISK OF FIRE, ELECTRIC SHOCK, OR INJURY TO PERSONS, OBSERVE THE FOLLOWING:

- Use this unit only in the manner intended by the manufacturer. If you have questions, contact the manufacturer.
- Before servicing or cleaning the unit, switch power off at service panel and lock the service disconnecting means to prevent power from being switched on accidentally. When the service disconnecting means cannot be locked, securely fasten a prominent warning device, such as a tag, to the service panel.
- Installation work and electrical wiring must be done by qualified person(s) in accordance with all applicable codes and standards, including fire-rated construction.
- Sufficient air is needed for proper combustion and exhausting of gases through the flue (chimney) of fuel burning equipment to prevent backdrafting. Follow the heating equipment manufacturer's guideline and safety standards such as those published by the National Fire Protection Association (NFPA), the American Society for Heating, Refrigeration and Air Conditioning Engineers (ASHRAE), and the local code authorities.
- When cutting or drilling into wall or ceiling; do not damage electrical wiring and other utilities.
- Ducted fans must always be vented outdoors.

CAUTION: For general ventilating use only. Do not use to exhaust hazardous or explosive materials and vapors.

CAUTION: To reduce risk of fire and to properly exhaust air, be sure to duct air outside - do not vent exhaust air into spaces within walls or ceilings, attics or into crawl spaces, or garages.

WARNING: TO REDUCE THE RISK OF FIRE, USE ONLY METAL DUCTWORK.

WARNING: TO REDUCE THE RISK OF A RANGE TOP GREASE FIRE:

- Never leave surface units unattended at high settings. Boilovers cause smoking and greasy spillovers that may ignite. Heat oils slowly on low or medium settings.
- Always turn hood ON when cooking at high heat or when flambeing food (i.e. Crepes Suzette, Cherries Jubilee, Peppercorn Beef Flambé).
- Clean ventilating fans frequently. Grease should not be allowed to accumulate on fan or filter.
- Use proper pan size. Always use cookware appropriate for the size of the surface element.

WARNING: TO REDUCE THE RISK OF INJURY TO PERSONS IN THE EVENT OF A RANGE TOP GREASE FIRE, OBSERVE THE FOLLOWING:^a

- SMOTHER FLAMES with a close fitting lid, cookie sheet, or metal tray, then turn off the burner. BE CAREFUL TO PREVENT BURNS. If the flames do not go out immediately, EVACUATE AND CALL THE FIRE DEPARTMENT.
- NEVER PICK UP A FLAMING PAN - you may be burned.
- DO NOT USE WATER, including wet dishcloths or towels - a violent steam explosion will result.
- Use an extinguisher ONLY if:
 - You know you have a class ABC extinguisher, and you already know how to operate it.
 - The fire is small and contained in the area where it started.
 - The fire department is being called.
 - You can fight the fire with your back to an exit.

^aBased on "Kitchen Fire Safety Tips" published by NFPA.

SAVE THESE INSTRUCTIONS

INSTALLATION REQUIREMENTS

Tools and Parts

Gather the required tools and parts before starting installation. Read and follow the instructions provided with any tools listed here.

Tools needed

- Level
- Drill
- 1¼" drill bit
- ⅜" (8 mm) nut driver or ratchet
- Pencil
- Pliers
- Wire stripper or utility knife
- Tape measure or ruler
- Caulking gun and weatherproof caulking compound
- Phillips screwdriver
- Flat-blade screwdriver
- Saber or keyhole saw
- Vent clamps
- Metal snips

Parts needed

- Home power supply cable
- Two ½" (12.7 mm) UL listed or CSA approved strain reliefs

For vented installations, you will also need:

- 1 wall or roof cap
- Metal vent system

For non-vented (recirculating) installations, you will also need:

- Charcoal Filter Kit Part Number 883140. See "Assistance or Service" section to order.

Optional parts needed:

- Wood filler strips for cabinets with recessed bottoms. Length and thickness determined by recess dimensions. See "Prepare Location" section.
- Two, 1" x 1" x 5" (25.4 x 25.4 x 127 mm) wood pieces for cabinet floor. See "Prepare Location" section.
- Four, 1¼" (31.8 mm) wood screws

Parts supplied

Remove parts from packages. Check that all parts are included.

- 2 screws
- Damper
- Plastic cover (used for customized front panel)
- Hardware package

Location Requirements

IMPORTANT: Observe all governing codes and ordinances.

Have a qualified technician install the range hood. It is the installer's responsibility to comply with installation clearances specified on the model/serial rating plate. The model/serial rating plate is located behind the left filter on the rear wall of the range hood.

Range hood location should be away from strong draft areas, such as windows, doors, and strong heating vents.

Cabinet opening dimensions that are shown must be used. Given dimensions provide minimum clearance. Consult your cooktop/range manufacturer installation instructions before making any cutouts.

Grounded electrical outlet is required. See "Electrical Requirements" section.

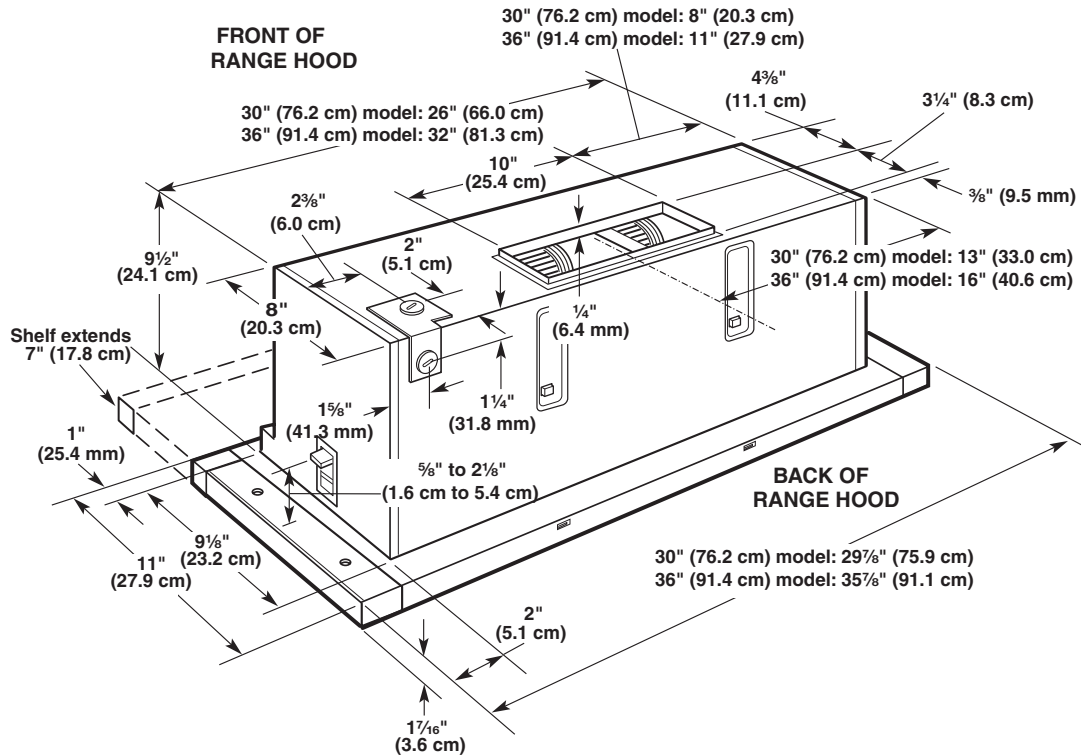
The range hood is factory set for vented installations through the roof or wall. For non-vented (recirculating) installations see "Non-Vented (recirculating) Installation Through the Soffit/Cabinet" in the "Prepare Location" section. Charcoal Filter Kit Part Number 883140 is available from your dealer or an authorized parts distributor.

All openings in ceiling and wall where range hood will be installed must be sealed.

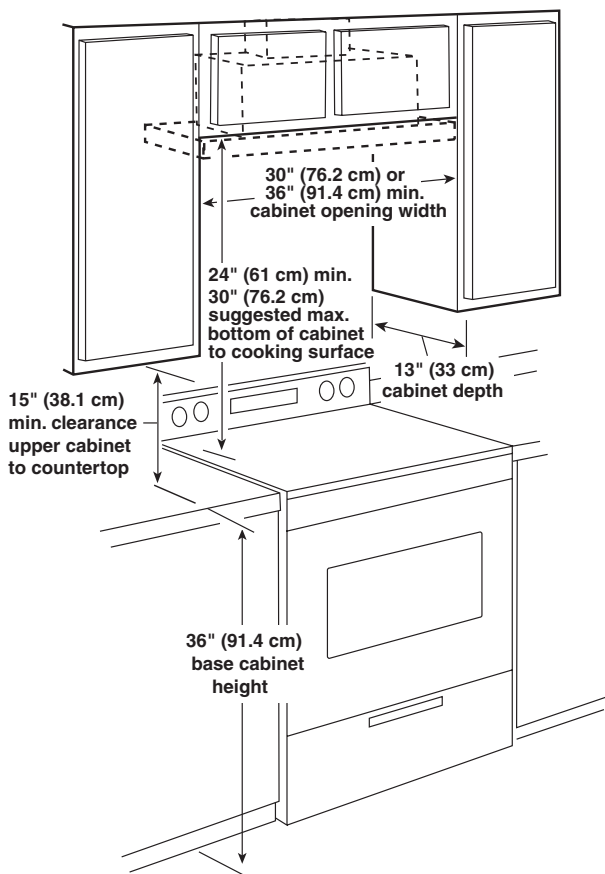
For Mobile Home Installations

The installation of this range hood must conform to the Manufactured Home Construction Safety Standards, Title 24 CFR, Part 328 (formerly the Federal Standard for Mobile Home Construction and Safety, title 24, HUD, Part 280) or when such standard is not applicable, the standard for Manufactured Home Installation 1982 (Manufactured Home Sites, Communities and Setups) ANSI A225.1/NFPA 501A*, or latest edition, or with local codes.

Product Dimensions



Cabinet Dimensions



Venting Requirements (vented models only)

- Vent system must terminate to the outside, except for non-vented (recirculating) installations.
- Do not terminate the vent system in an attic or other enclosed area.
- Do not use a 4" (10.2 cm) laundry-type wall caps.
- Use a metal vent only. A rigid metal vent is recommended. Plastic or metal foil vent is not recommended.
- The length of vent system and number of elbows should be kept to a minimum to provide efficient performance.

For the most efficient and quiet operation:

- Use no more than three 90° elbows.
- Make sure there is a minimum of 24" (61.0 cm) of straight vent between the elbows if more than 1 elbow is used.
- Do not install 2 elbows together.
- The vent system must have a damper. If the roof or wall cap has a damper, do not use the damper supplied with the range hood.
- Use clamps to seal all joints in the vent system.
- Use caulking to seal exterior wall or roof opening around the cap.
- The size of the vent should be uniform.

Cold weather installations

An additional back draft damper should be installed to minimize backward cold air flow and a thermal break should be installed to minimize conduction of outside temperatures as part of the vent system. The damper should be on the cold air side of the thermal break.

The break should be as close as possible to where the vent system enters the heated portion of the house.

Makeup air

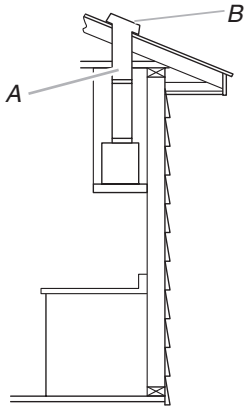
Local building codes may require the use of makeup air systems when using ventilation systems with greater than specified CFM of air movement. The specified CFM varies from locale to locale. Consult your HVAC professional for specific requirements in your area.

Venting Methods

This range hood is factory set for venting through the roof or through the wall.

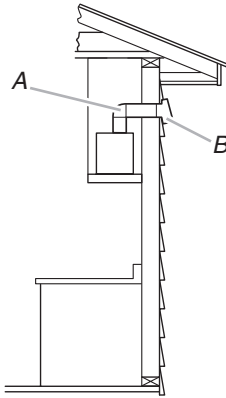
The vent system needed for installation is not included. A 3¼" x 10" (8.3 cm x 25 cm) rectangular vent system is recommended.

Roof Venting



A. 3¼" x 10" (8.3 cm x 25 cm) vent through the roof
B. Roof cap

Wall Venting



A. 3¼" x 10" (8.3 cm x 25 cm) vent through the wall
B. Wall cap

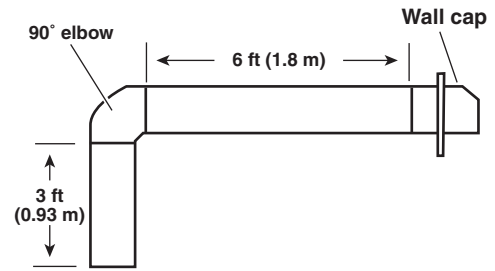
Calculate Vent System Length

The recommended vent system length is 3¼" x 10" (8.3 cm x 25 cm) vent with maximum length of 26 ft (8 m) for vent system. For the best performance, use no more than three 90° elbows.

To calculate the length of the system, add the equivalent feet (meters) for each of the vent pieces used in the system.

Vent Piece	3¼" x 10" (8.3 cm x 25 cm)	
3¼" x 10" (8.3 cm x 25.4 cm) 90° elbow	5.0 ft (1.5 m)	
3¼" x 10" (8.3 cm x 25.4 cm) flat elbow	12.0 ft (3.7 m)	
3¼" x 10" (8.3 cm x 25.4 cm) wall cap	0.0 ft (0.0 m)	

Example vent system 3¼" x 10" (8.3 cm x 25 cm)

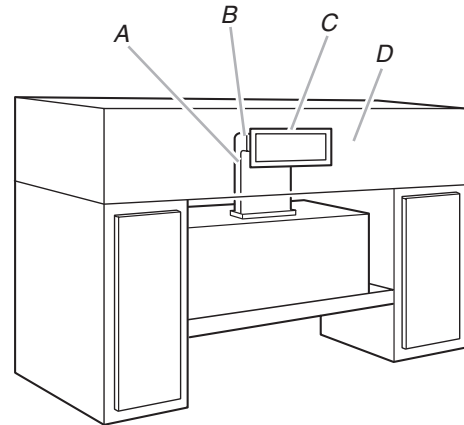


Maximum Length = 26 ft (8 m)

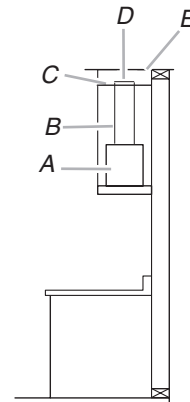
1 - 90° elbow	= 5 ft (1.5 m)
1 - wall cap	= 0 ft (0 m)
9 ft (2.8 m) straight	= 9 ft (2.8 m)
System length	= 14 ft (4.3 m)

Non-Vented (recirculating) Installations Through the Soffit/Cabinet

If it is not possible to vent cooking fumes and vapors to the outside, the range hood can be used in the non-vented (recirculating) version, using an activated carbon filter. Charcoal Filter Kit Part Number 883140 is available from the dealer or an authorized parts distributor. Damper installation is not required.



A. 3¼" x 10" (8.3 cm x 25 cm) vent
B. 3¼" x 10" (8.3 cm x 25 cm) elbow
C. Vent cover
D. Soffit



A. Range hood
B. Vent system
C. Top of cabinet
D. Vent cover
E. Ceiling or soffit

Electrical Requirements

For GZ or IH model series:

WARNING: To reduce the risk of fire or electrical shock, do not use this fan with any solid state speed control device.

For KWWU model series:

This fan is suitable for use with solid state speed controls.

Observe all governing codes and ordinances.

Ensure that the electrical installation is adequate and in conformance with National Electrical Code, ANSI/NFPA 70 (latest edition), or CSA Standards C22.1-94, Canadian Electrical Code, Part 1 and C22.2 No. 0-M91 (latest edition) and all local codes and ordinances.

If codes permit and a separate ground wire is used, it is recommended that a qualified electrician determine that the ground path is adequate.

A copy of the above code standards can be obtained from:

National Fire Protection Association
One Batterymarch Park
Quincy, MA 02269
CSA International
8501 East Pleasant Valley Road
Cleveland, OH 44131-5575

- A 120 Volt, 60 Hz., AC only, 15-amp, fused electrical circuit is required.
- If the house has aluminum wiring, follow the procedure below:
 1. Connect a section of solid copper wire to the pigtail leads.
 2. Connect the aluminum wiring to the added section of copper wire using special connectors and/or tools designed and UL listed for joining copper to aluminum.Follow the electrical connector manufacturer's recommended procedure. Aluminum/copper connection must conform with local codes and industry accepted wiring practices.
- Wire sizes and connections must conform with the rating of the appliance as specified on the model/serial rating plate. The model/serial plate is located behind the filter on the rear wall of the range hood.
- Wire sizes must conform to the requirements of the National Electrical Code, ANSI/NFPA 70 (latest edition), or CSA Standards C22.1-94, Canadian Electrical Code, Part 1 and C22.2 No. 0-M91 (latest edition) and all local codes and ordinances.

INSTALLATION INSTRUCTIONS

Prepare Location

- It is recommended that the vent system be installed before the range hood is installed.
 - Before making cutouts, make sure there is proper clearance within the ceiling or wall for vent fittings.
1. Disconnect power.
 2. Determine which venting method to use: roof, wall, or non-vented.
 3. Select a flat surface for assembling the range hood. Place covering over that surface.

⚠ WARNING

Excessive Weight Hazard

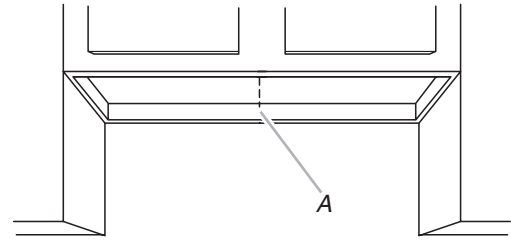
Use two or more people to move and install range hood.

Failure to do so can result in back or other injury.

4. Using 2 or more people, lift range hood onto covered surface.

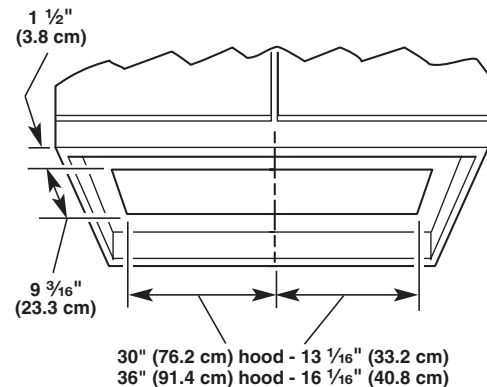
Range Hood Cabinet Cutout

1. Determine and clearly mark a centerline on the underside of the cabinet.



A. Centerline

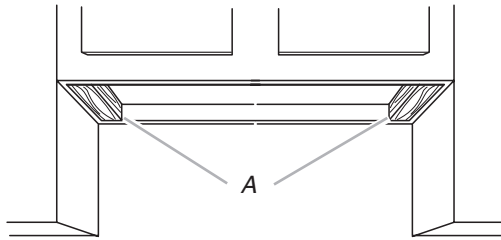
2. Measure and mark lines as shown for your size of range hood. Use a saber saw or keyhole saw to cut an opening through the underside of the cabinet.



The finished cutout size will be:

30" (76.2 cm) range hood - 9 3/16" x 26 1/8" (23.3 cm x 66.4 cm)
36" (91.4 cm) range hood - 9 3/16" x 32 1/8" (23.3 cm x 81.6 cm)

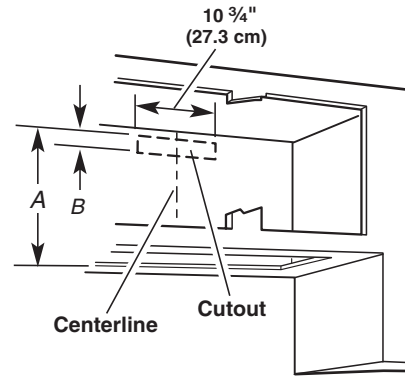
3. If the cabinet bottom is recessed above a support frame, wood filler strips need to be installed on the right and left sides of the cutout to provide sides of clearance for the sliding screen. Wood filler strips should be flush with or recessed $\frac{1}{16}$ " to $\frac{1}{8}$ " (1.6 mm to 3.2 mm) from the bottom of the support frame.



A. Wood filler strips

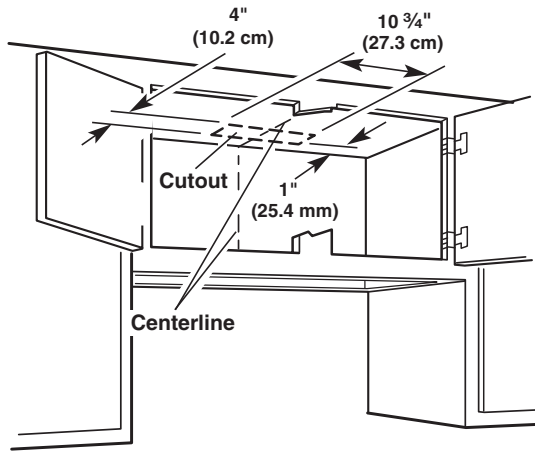
4. Complete cabinet preparation following the instructions for your type of installation.

Transfer measurement A and B to the cabinet back wall. Measure from the underside of the cabinet or wood filler strips, if used. Mark the cutout as shown. Use a saber saw or keyhole saw to cut a rectangular opening for the vent.



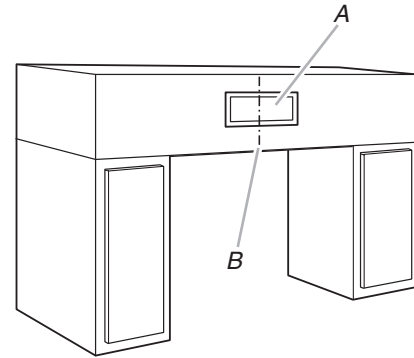
Venting Outside Through the Roof

Measure and mark the lines as shown. Use a saber saw or keyhole saw to cut a rectangular opening for the vent.



Non Vented (recirculating) Installation Through the Soffit/Cabinet

Measure and mark a rectangular vent opening in the soffit using the method shown for venting through the wall. Measure and mark the same centerline on the soffit above the range hood area.



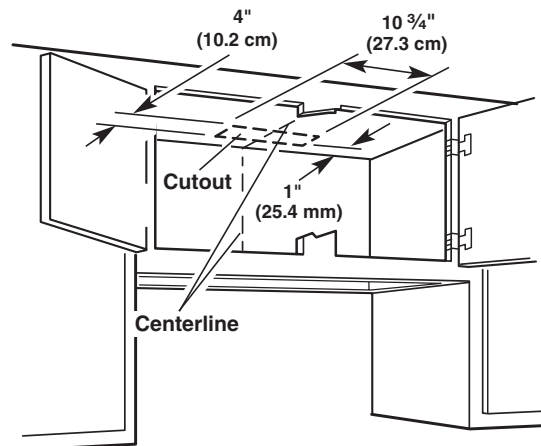
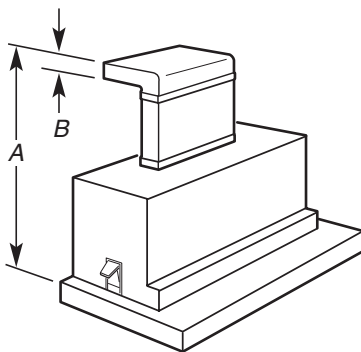
A. Vent cover
B. Centerline

Use the vent cover from the Charcoal Filter Kit or other vent cover as a template to outline an opening for the vent. Use a saber saw or keyhole saw to cut a rectangular opening for the vent system.

The range hood can be vented inside through the top of the cabinet.

Venting Outside Through the Wall

Assemble the vent that you will use over the vent opening. Do not attach the vent at this time. Measure from the top of the screen housing to the top of the vent opening (A) and back to the bottom of the vent opening (B). Remove the vent.

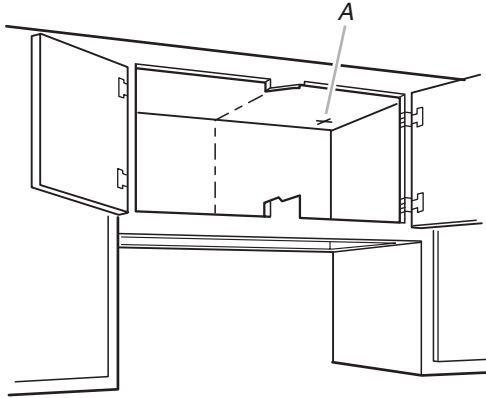


The Charcoal Filter Kit Part Number 883140 must be used.

5. Install the vent system according to the method needed. Use caulking to seal the exterior wall or roof opening.
6. Determine wiring knockout.

To wire through the top wiring knockout:

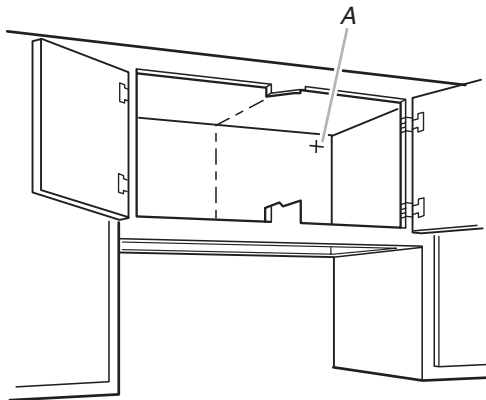
Measure and mark a parallel line either 10 $\frac{5}{8}$ " (27.0 cm) for the 30" (76.2 cm) range hood or 11 $\frac{5}{8}$ " (29.5 cm) for the 36" (91.4 cm) range hood to the right of the centerline on the cabinet ceiling. Mark a point on this line that is 4" (10.2 cm) from the back wall of the cabinet. Drill a 1 $\frac{1}{4}$ " (3.2 cm) diameter hole through the cabinet ceiling.



A. Wiring cutout

To wire through the rear wiring knockout:

Measure and mark a parallel line either 11 $\frac{3}{8}$ " (29.8 cm) for the 30" (76.2 cm) range hood or 14 $\frac{3}{8}$ " (36.5 cm) for the 36" (91.4 cm) range hood to the right of the centerline on the cabinet back wall. Mark a point on this line that is 8 $\frac{1}{4}$ " (21.0 cm) from the bottom of the cabinet. Drill a 1 $\frac{1}{4}$ " (3.2 cm) diameter hole through the wall.

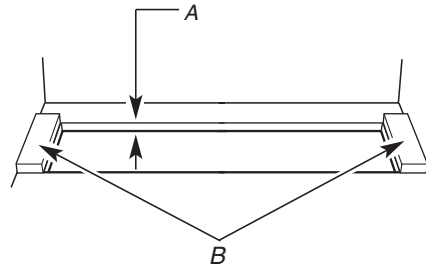


A. Wiring cutout

7. Run the wiring through the wall or cabinet according to the national Electrical Code and all local codes and ordinances. Use caulking to seal around wire opening.

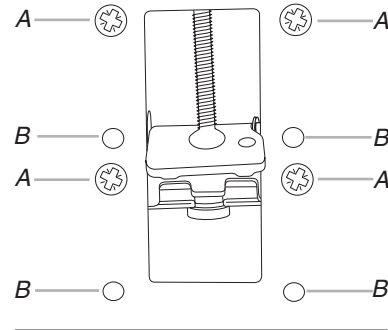
NOTE: Do not turn on power until installation is complete.

8. Measure the thickness of the cabinet floor, including the filler strips, if used. If the thickness is less than $\frac{5}{8}$ " (15.9 mm), install wood filler strips that are a minimum length of 5" (12.7 cm) onto the cabinet floor. The mounting bracket adjusts from $\frac{5}{8}$ " (15.9 mm) to 2 $\frac{1}{8}$ " (54.0 mm) for the wood filler strips.



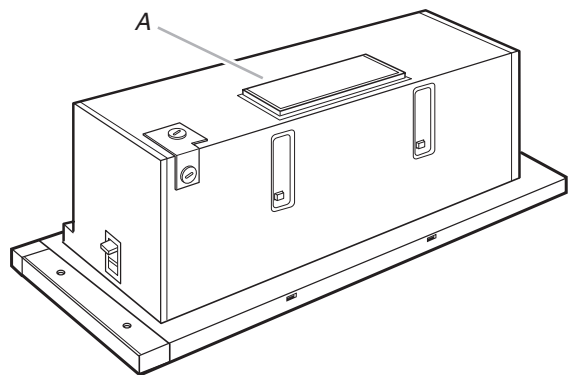
A. Less than $\frac{5}{8}$ " (15.9 mm)
B. Wood fillers (thickness as required)

9. The spring loaded brackets are factory set to accommodate a thickness between 1 $\frac{3}{16}$ " and 2 $\frac{1}{4}$ ". If your cabinet bottom is less than 1 $\frac{3}{16}$ " thick, the spring loaded brackets can be removed and repositioned down from the top setting (A), to the bottom setting (B), by removing the 4 Phillips screws.



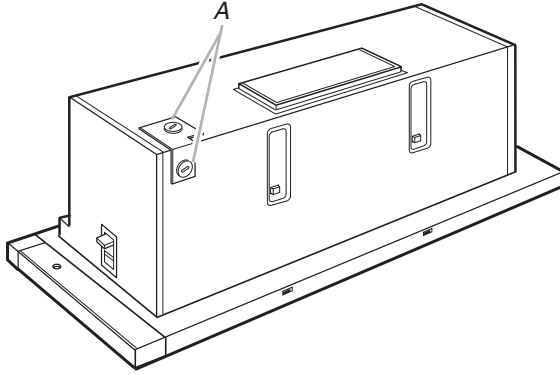
A. Top setting - factory installed
B. Bottom setting

10. Attach the damper to the vent opening. If the roof cap or wall cap has a damper, do not attach the damper to the range hood.



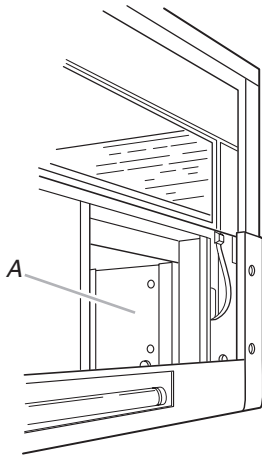
A. Damper

- Remove the top or rear knockout from the wiring opening, depending on which one will be used. Install a UL listed or CSA approved ½" strain relief.



A. Wiring knockouts

- Place the range hood on its back side on a covered surface.
 - Slide the range hood screen forward.
 - Remove the metal grease filters. See "Range Hood Care" section.
 - Remove the terminal box cover.
 - Close the range hood screen.
 - Screw the mounting brackets up to the top position.

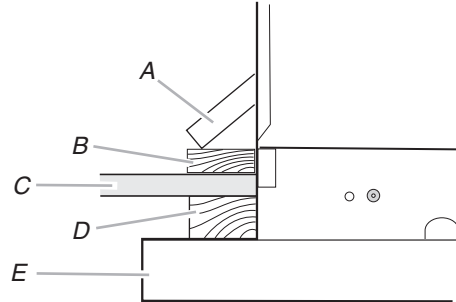


A. Terminal box cover

NOTE: For some non-vented (recirculating) installations using the charcoal filter kit, it may be easier to attach the vent system to the range hood before lifting the range hood into its final position. Seal the connection with clamps.

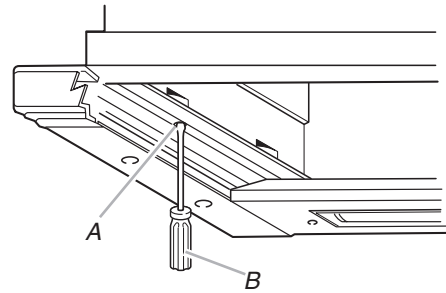
Install Range Hood

- Using 2 or more people, lift the range hood into its final position and feed the home power supply cable through the wiring opening in the range hood.
- Check that the mounting brackets overlap the cabinet bottom or wood filler strips.
- Center the range hood.



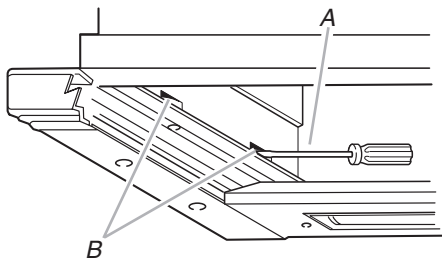
A. Mounting bracket
 B. Optional wood filler strip
 C. Cabinet bottom
 D. Optional wood filler strip for recessed cabinet
 E. Slide-out range hood

- Check that the front panel is parallel with the cabinet front when the screen is pushed in. Slide the screen forward. Tighten the mounting bracket screws so that the range hood is secured to the cabinet.



A. Mounting bracket screw
 B. Flat-blade screwdriver

- Align the range hood front panel with the cabinet. Slide the screen forward. Locate the 2 screws on each side and turn them counterclockwise to loosen the screws. Adjust the front of the vent vertically, $\frac{3}{8}$ " (9.5 mm) up or down, or horizontally, $\frac{3}{4}$ " (19 mm) front to back, until the front is flush with the cabinet. Tighten the screws. If it is necessary to adjust the given dimensions, lower and add or remove the filler strips or redrill mounting holes.



A. Phillips screwdriver
B. Adjustment screws

Electrical Connection

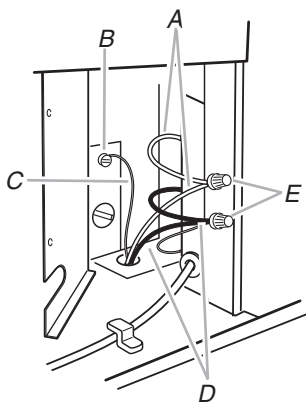
⚠ WARNING



Electrical Shock Hazard

Disconnect power before servicing.
Replace all parts and panels before operating.
Failure to do so can result in death or electrical shock.

- Disconnect power.
- Use UL listed wire connectors and connect black wires (D) together.
- Use UL listed wire connectors and connect white wires (A) together.



A. White wires
B. Green ground screw
C. Ground wire
D. Black wires
E. Wire connectors

⚠ WARNING



Fire Hazard

Electrically ground the blower.
Use copper wire.
Connect ground wire to green ground screw in terminal box.
Failure to do so can result in death, fire, or electrical shock.

- Connect the green (or bare) ground wire from the home power supply to the green ground screw inside the range hood terminal box.
- Tighten strain relief screw.
- Install terminal box cover.

Connect the Vent System

Vented Installations

- Replace the metal filters. See "Range Hood Care" section.
- Connect the vent system to the range hood vent opening. Seal the connection with clamps.
- Reconnect power.
- Check the operation of the range hood fan and light.
- Push the range hood screen back in.

Non-Vented (recirculating) Installations

- Connect the vent system to the range hood vent opening. Seal the connection with clamps.
- Install Charcoal Filter Kit Part Number 883140. See "Range Hood Care" section.
- Replace metal grease filters. See "Range Hood Care" section.
- Reconnect power.
- Check the operation of the range hood fan and light.
- Push the range hood screen back in.

To order replacement kits, see the "Assistance or Service" section.

Optional Front Trim Kits

Front trim kits for matching the front panel to your range or cooktop color are available from your dealer.

For ordering information see the "Assistance or Service" section.

For 30" (76.2 cm) model series

KWVU205:

Part No. 4360201 (white)
Part No. 4360203 (black)
Part No. 4392855 (biscuit)

For 36" (91.4 cm) model series

KWVU265:

Part No. 4360202 (white)
Part No. 4360204 (black)
Part No. 4392856 (biscuit)

For 30" (76.2 cm) model series

GZ7730:

Part No. 4396067 (white)
Part No. 4396066 (black)
Part No. 8171368 (biscuit)

IH5302:

Part No. 4396844 (white)

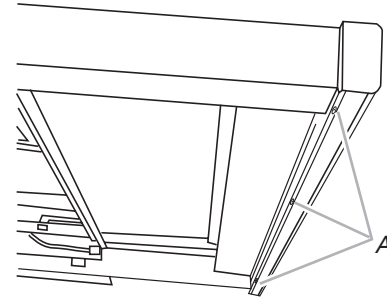
For 36" (91.4 cm) model series

GZ7736:

Part No. 4396069 (white)
Part No. 4396068 (black)
Part No. 8171369 (biscuit)

Install Front Trim Kit

1. Pull out on the range hood screen for easier access to the screws.
2. Remove the 3 mounting screws directly behind the front panel, and remove the front panel from the range hood screen.



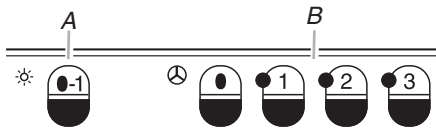
A. Three mounting screws

3. Remove existing trim piece and insert new trim piece.
4. Reattach front panel using the 3 mounting screws.
5. Push the range hood screen back in.

RANGE HOOD USE

The range hood is designed to remove smoke, cooking vapors and odors from the cooktop area. For best results, start the range hood before cooking and allow it to operate several minutes after the cooking is complete to clear all smoke and odors from the kitchen.

KWVU Model Series



A. Light button
B. Speed buttons

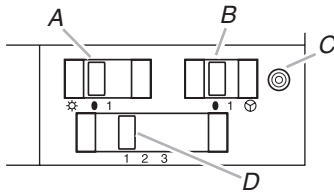
Operating the Fan

1. Slide the range hood screen forward.
2. Press the speed buttons for the desired speed.
Speed may be increased, decreased, or turned off at anytime during the range hood operation. The indicator light next to the speed button selected should be on when the fan is running.
3. Press the 0 button or close the screen to shut off the fan.
The fan will shut off when the screen is about 2" (5.1 cm) from the closed position. When the screen is opened the fan will operate at the last setting.

Operating the Light

1. Open the range hood screen about 1" (2.5 cm).
2. Press the light button.
The light will be on each time the screen is opened. The light can be used for a night light by opening the screen about 1" (2.5 cm).
3. Press the light button to turn off the light.
Another option for turning off the range hood light is to close the screen.

GZ and IH Model Series



- A. Light switch
- B. Fan switch
- C. Indicator light
- D. Speed switch

Operating the Fan

- Slide the range hood screen forward.
- Move the fan switch to 1.
- Move the speed switch to the desired setting.
The speed may be increased, decreased, or turned off at anytime during the range hood operation. The indicator light should be on when the fan is running.

- Move the fan switch to 0 or close the glass screen.
The fan will shut off when the screen is about 2" (5.1 cm) from the closed position. When the screen is opened, the fan will operate at the last settings.

Operating the Light

- Open the range hood screen about 1" (2.5 cm).
- Move the light switch to the 1 position.
The light will be on each time the screen is opened. The light can be used for a night light by opening the glass screen about 1" (2.5 cm).
- Move the light switch to the 0 position.
Another option for turning the range hood light off is to close the screen.

RANGE HOOD CARE

Cleaning

IMPORTANT: Clean the range hood and grease filters frequently according to the following instructions. Replace grease filters before operating range hood.

Be sure light is cool before cleaning the range hood.

Exterior Surfaces

Clean the range hood with a mild detergent and soft cloth. To avoid damage to the exterior surface, do not use abrasive cleansers or steel-wool pads

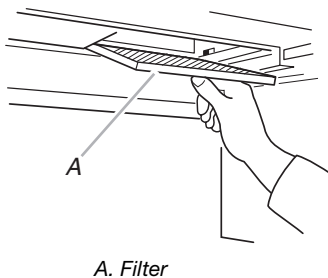
Metal Grease Filters

The filters should be washed frequently. Place filters in dishwasher or hot, soapy water to clean.

Drain water through edge holes and let each filter dry thoroughly before replacing it.

To Remove Metal Grease Filters

- Pull out on the range hood screen to expose the filters.
- Using the filter tabs, push back and pull downward to remove filters.



A. Filter

To Replace Metal Grease Filters

- Insert back edge of filter into rear channel of the filter opening.
- Push filter toward the rear.

- Push filter up and place behind the 2 tabs on the front edge of the filter opening and release.

Charcoal Filters - For Non-Vented (recirculating) Installations

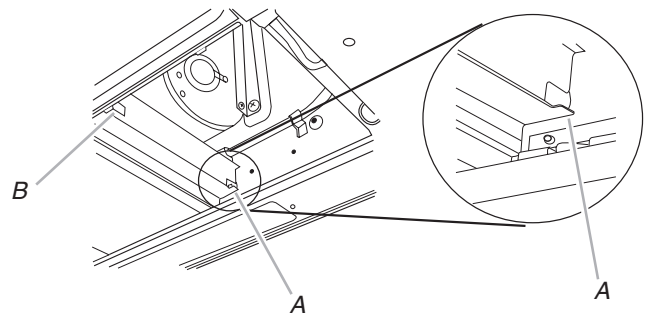
The charcoal filters are not washable nor reusable.

They should be changed every 6 months in normal use or more frequently in heavy use.

The charcoal filters capture unpleasant cooking odors.

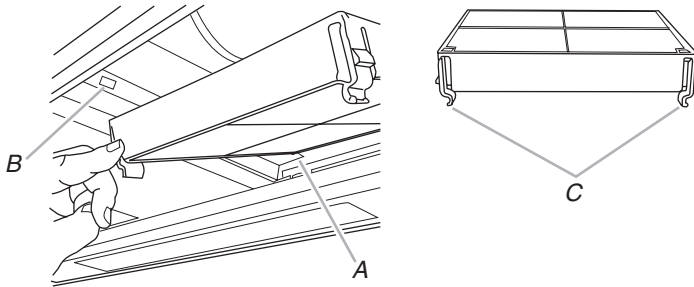
To Install Charcoal Filters

- Turn fan and lights off.
- Pull out on the range hood screen to expose the filters.
- Remove the 2 metal grease filters. See "To Remove Metal Grease Filters" section.
- Set metal grease filters aside.
- Locate tabs "A" and slots "B" in the opening. This is where the filter will fit into place.



A. Tab
B. Slot

- Place charcoal filter into opening, resting the back of the filter on tabs "A," then clip filter tabs "C" into slots "B."



A. Tab
B. Slot
C. Filter tabs

- Repeat to install other charcoal filter.
- Replace metal grease filters. See "Metal Grease Filters" section.

To Replace Charcoal Filters

- Turn fan and lights off.
- Pull out on the range hood screen to expose the filters.
- Remove the 2 metal grease filters. See "To Remove Metal Grease Filters" section.
- Set metal grease filters aside.
- Remove and discard both charcoal filters.
- Install replacement charcoal filters by placing charcoal filter into opening, resting the back of the filter on tabs "A," then clip filter tabs "C" into slots "B."
- Replace metal grease filters. See "Metal Grease Filters" section.

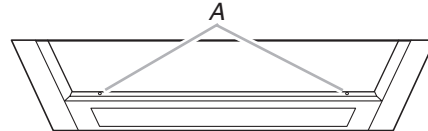
Replacing the Bulb

Turn off the range hood and allow the bulb to cool.

Use a 15-watt fluorescent bulb with 30" (76.2 cm) unit and 18-watt bulb with 36" (91.4 cm) unit.

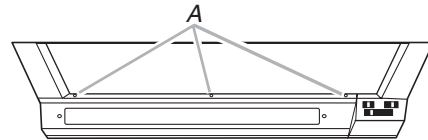
- Disconnect power.
- Remove the screws above the light cover and set them aside.
- Pull the light cover forward slightly and then downward to remove the cover.
- Replace the light bulb.
- Lift cover back into position.
- Replace the screws.

KWVU Model Series



A. Screws

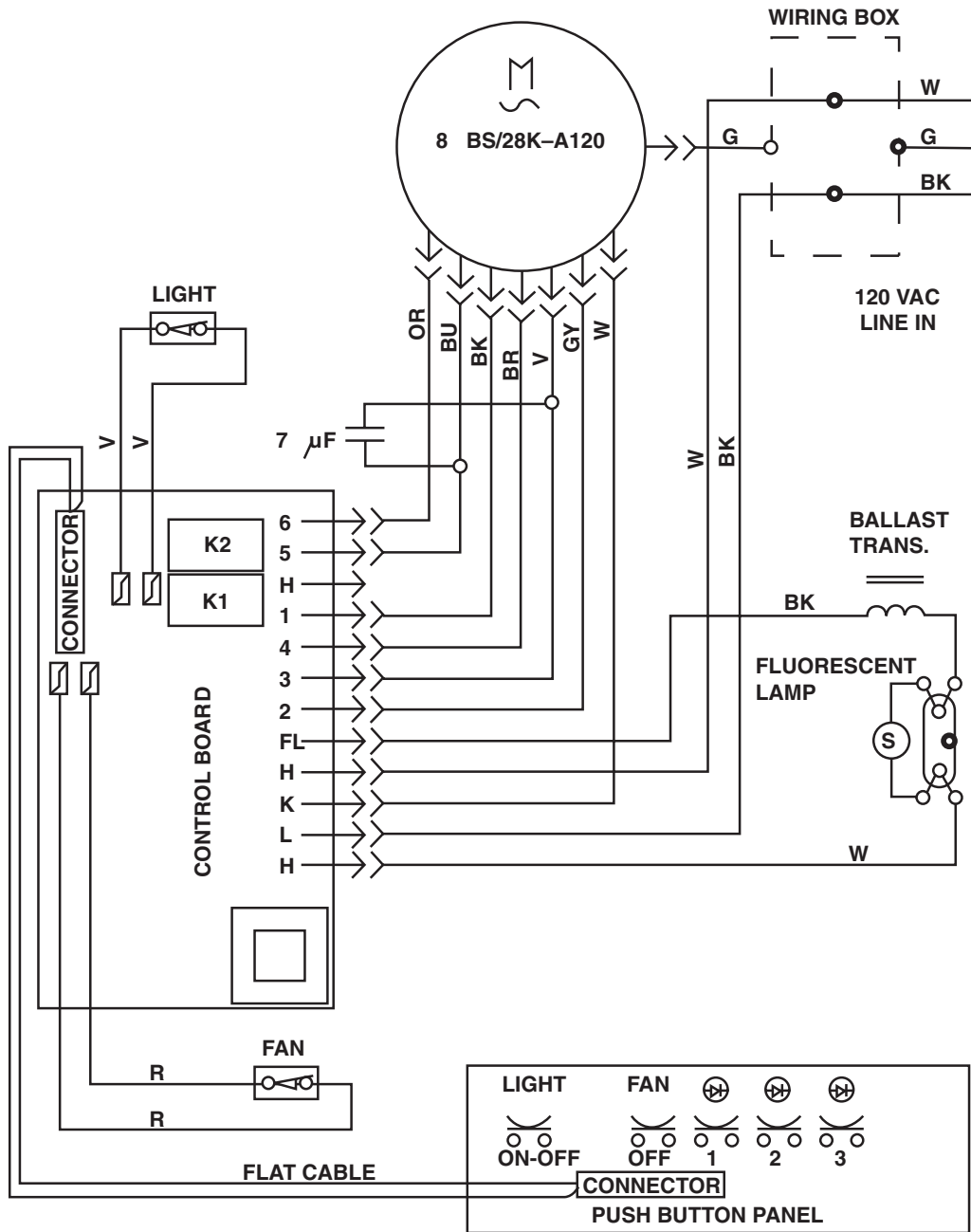
GZ & IH Model Series

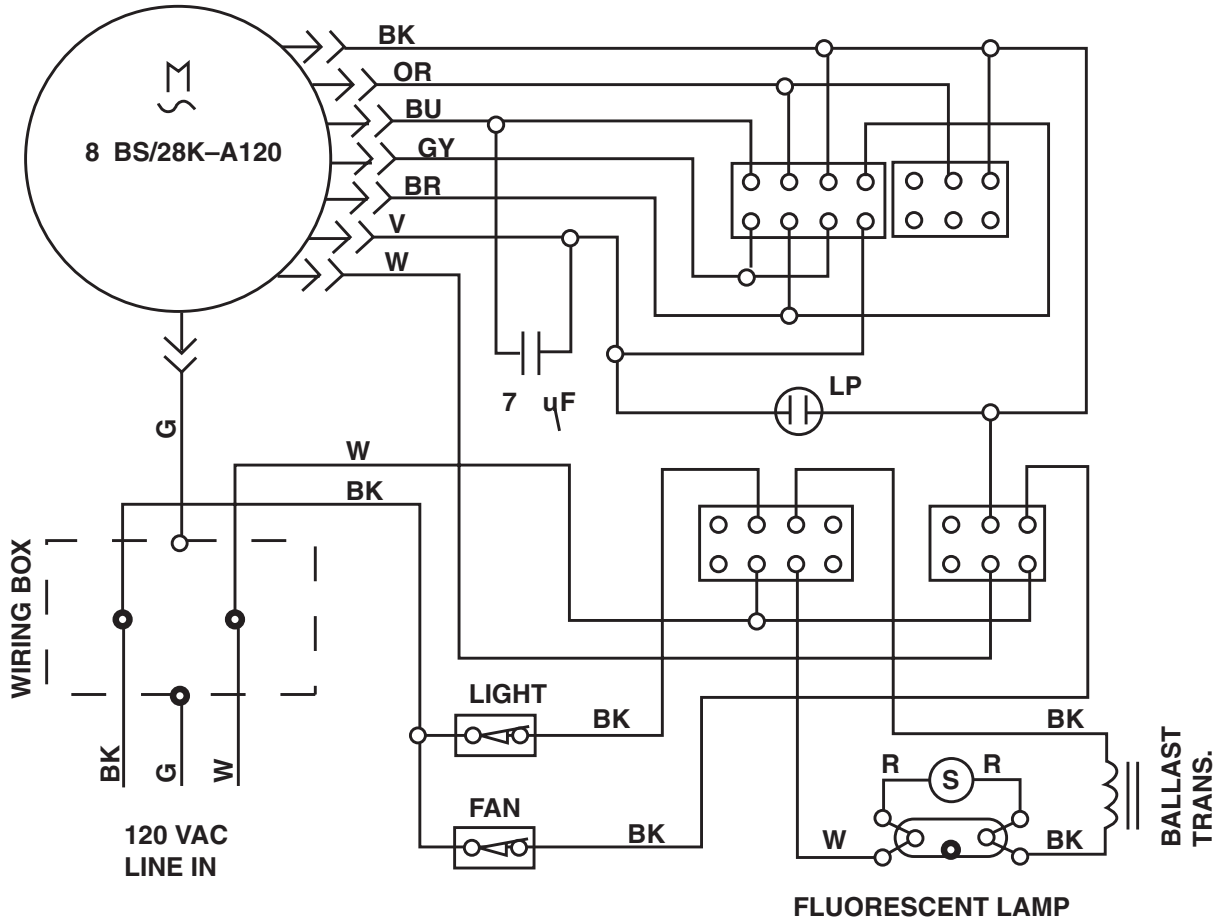


A. Screws

WIRING DIAGRAMS

KWVU Model Series





ASSISTANCE OR SERVICE

When calling for assistance or service, please know the purchase date and the complete model and serial number of your appliance. This information will help us to better respond to your request.

If you need replacement parts

If you need to order replacement parts, we recommend that you use only factory specified parts. Factory specified parts will fit right and work right because they are made with the same precision used to build every new appliance. To locate factory specified parts replacement parts in your area, call us or your nearest Whirlpool designated service center.

In the U.S.A.

Call the Whirlpool Customer eXperience Center toll free: **1-800-253-1301**.

Our consultants provide assistance with:

- Features and specifications on our full line of appliances.
- Installation information.
- Use and maintenance procedures.
- Accessory and repair parts sales.
- Specialized customer assistance (Spanish speaking, hearing impaired, limited vision, etc.).
- Referrals to local dealers, repair parts distributors and service companies. Whirlpool designated service technicians are trained to fulfill the product warranty and provide after-warranty service, anywhere in the United States.

To locate the Whirlpool designated service company in your area, you can also look in your telephone directory Yellow Pages.

For further assistance

If you need further assistance, you can write to Whirlpool Corporation with any questions or concerns at:

Whirlpool Brand Home Appliances
Customer eXperience Center
553 Benson Road
Benton Harbor, MI 49022-2692

Please include a daytime phone number in your correspondence.

In Canada

Call the Whirlpool Canada LP Customer eXperience Centre toll free: **1-800-807-6777**.

Our consultants provide assistance with:

- Features and specifications on our full line of appliances.
- Use and maintenance procedures.
- Accessory and repair parts sales.
- Referrals to local dealers, repair parts distributors, and service companies. Whirlpool Canada LP designated service technicians are trained to fulfill the product warranty and provide after-warranty service, anywhere in Canada.

For further assistance

If you need further assistance, you can write to Whirlpool Canada LP with any questions or concerns at:

Customer eXperience Centre
Whirlpool Canada LP
1901 Minnesota Court
Mississauga, Ontario L5N 3A7

Please include a daytime phone number in your correspondence.

WHIRLPOOL CORPORATION MAJOR APPLIANCE WARRANTY

LIMITED WARRANTY

For one year from the date of purchase, when this major appliance is operated and maintained according to instructions attached to or furnished with the product, Whirlpool Corporation or Whirlpool Canada LP (hereafter "Whirlpool") will pay for Factory Specified Parts and repair labor to correct defects in materials or workmanship. Service must be provided by a Whirlpool designated service company. This limited warranty is valid only in the United States or Canada and applies only when the major appliance is used in the country in which it was purchased. Outside the 50 United States and Canada, this limited warranty does not apply. Proof of original purchase date is required to obtain service under this limited warranty.

ITEMS EXCLUDED FROM WARRANTY

This limited warranty does not cover:

1. Service calls to correct the installation of your major appliance, to instruct you on how to use your major appliance, to replace or repair house fuses, or to correct house wiring or plumbing.
2. Service calls to repair or replace appliance light bulbs, air filters or water filters. Consumable parts are excluded from warranty coverage.
3. Repairs when your major appliance is used for other than normal, single-family household use or when it is used in a manner that is contrary to published user or operator instructions and/or installation instructions.
4. Damage resulting from accident, alteration, misuse, abuse, fire, flood, acts of God, improper installation, installation not in accordance with electrical or plumbing codes, or use of consumables or cleaning products not approved by Whirlpool.
5. Cosmetic damage, including scratches, dents, chips or other damage to the finish of your major appliance, unless such damage results from defects in materials or workmanship and is reported to Whirlpool within 30 days from the date of purchase.
6. Any food loss due to refrigerator or freezer product failures.
7. Costs associated with the removal from your home of your major appliance for repairs. This major appliance is designed to be repaired in the home and only in-home service is covered by this warranty.
8. Repairs to parts or systems resulting from unauthorized modifications made to the appliance.
9. Expenses for travel and transportation for product service if your major appliance is located in a remote area where service by an authorized Whirlpool servicer is not available.
10. The removal and reinstallation of your major appliance if it is installed in an inaccessible location or is not installed in accordance with published installation instructions.
11. Major appliances with original model/serial numbers that have been removed, altered or cannot be easily determined. This warranty is void if the factory applied serial number has been altered or removed from your major appliance.

The cost of repair or replacement under these excluded circumstances shall be borne by the customer.

DISCLAIMER OF IMPLIED WARRANTIES; LIMITATION OF REMEDIES

CUSTOMER'S SOLE AND EXCLUSIVE REMEDY UNDER THIS LIMITED WARRANTY SHALL BE PRODUCT REPAIR AS PROVIDED HEREIN. IMPLIED WARRANTIES, INCLUDING WARRANTIES OF MERCHANTABILITY OR FITNESS FOR A PARTICULAR PURPOSE, ARE LIMITED TO ONE YEAR OR THE SHORTEST PERIOD ALLOWED BY LAW. WHIRLPOOL SHALL NOT BE LIABLE FOR INCIDENTAL OR CONSEQUENTIAL DAMAGES. SOME STATES AND PROVINCES DO NOT ALLOW THE EXCLUSION OR LIMITATION OF INCIDENTAL OR CONSEQUENTIAL DAMAGES, OR LIMITATIONS ON THE DURATION OF IMPLIED WARRANTIES OF MERCHANTABILITY OR FITNESS, SO THESE EXCLUSIONS OR LIMITATIONS MAY NOT APPLY TO YOU. THIS WARRANTY GIVES YOU SPECIFIC LEGAL RIGHTS, AND YOU MAY ALSO HAVE OTHER RIGHTS WHICH VARY FROM STATE TO STATE OR PROVINCE TO PROVINCE.

If outside the 50 United States and Canada, contact your authorized Whirlpool dealer to determine if another warranty applies.

If you need service, first see the "Troubleshooting" section of the Use & Care Guide. After checking "Troubleshooting," you may find additional help by checking the "Assistance or Service" section or by calling Whirlpool. In the U.S.A., call **1-800-253-1301**. In Canada, call **1-800-807-6777**.

9/07

Keep this book and your sales slip together for future reference. You must provide proof of purchase or installation date for in-warranty service.

Write down the following information about your major appliance to better help you obtain assistance or service if you ever need it. You will need to know your complete model number and serial number. You can find this information on the model and serial number label located on the product.

Dealer name _____

Address _____

Phone number _____

Model number _____

Serial number _____

Purchase date _____

SÉCURITÉ DE LA HOTTE D'ASPIRATION

Votre sécurité et celle des autres est très importante.

Nous donnons de nombreux messages de sécurité importants dans ce manuel et sur votre appareil ménager. Assurez-vous de toujours lire tous les messages de sécurité et de vous y conformer.



Voici le symbole d'alerte de sécurité.

Ce symbole d'alerte de sécurité vous signale les dangers potentiels de décès et de blessures graves à vous et à d'autres.

Tous les messages de sécurité suivront le symbole d'alerte de sécurité et le mot "DANGER" ou "AVERTISSEMENT". Ces mots signifient :

⚠ DANGER

Risque possible de décès ou de blessure grave si vous ne suivez pas immédiatement les instructions.

⚠ AVERTISSEMENT

Risque possible de décès ou de blessure grave si vous ne suivez pas les instructions.

Tous les messages de sécurité vous diront quel est le danger potentiel et vous disent comment réduire le risque de blessure et ce qui peut se produire en cas de non-respect des instructions.

IMPORTANTES INSTRUCTIONS DE SÉCURITÉ

AVERTISSEMENT : POUR RÉDUIRE LE RISQUE D'INCENDIE, CHOC ÉLECTRIQUE OU DOMMAGES CORPORELS, RESPECTER LES INSTRUCTIONS SUIVANTES :

- Utiliser cet appareil uniquement dans les applications envisagées par le fabricant. Pour toute question, contacter le fabricant.
- Avant d'entreprendre un travail d'entretien ou de nettoyage, interrompre l'alimentation de la hotte au niveau du tableau de disjoncteurs, et verrouiller le tableau de disjoncteurs pour empêcher tout rétablissement accidentel de l'alimentation du circuit. Lorsqu'il n'est pas possible de verrouiller le tableau de disjoncteurs, placer sur le tableau de disjoncteurs une étiquette d'avertissement proéminente interdisant le rétablissement de l'alimentation.
- Tout travail d'installation ou câblage électrique doit être réalisé par une personne qualifiée, dans le respect des prescriptions de tous les codes et normes applicables, y compris les codes du bâtiment et de protection contre les incendies.
- Une source d'air de débit suffisant est nécessaire pour le fonctionnement correct de tout appareil à gaz (combustion et évacuation des gaz à combustion par la cheminée), pour qu'il n'y ait pas de reflux des gaz de combustion. Respecter les directives du fabricant de l'équipement de chauffage et les prescriptions des normes de sécurité - comme celles publiées par la National Fire Protection Association (NFPA) et l'American Society for Heating, Refrigeration and Air Conditioning Engineers (ASHRAE), et les prescriptions des autorités réglementaires locales.
- Lors d'opérations de découpage et de perçage dans un mur ou un plafond, veiller à ne pas endommager les câblages électriques ou canalisations qui peuvent s'y trouver.
- Les ventilateurs d'évacuation doivent toujours décharger l'air à l'extérieur.

MISE EN GARDE : Cet appareil est conçu uniquement pour la ventilation générale. Ne pas l'utiliser pour l'extraction de matières ou vapeurs dangereuses ou explosives.

MISE EN GARDE : Pour minimiser le risque d'incendie et évacuer adéquatement les gaz, veiller à acheminer l'air aspiré par un conduit jusqu'à l'extérieur - ne pas décharger l'air aspiré dans un espace vide du bâtiment comme une cavité murale, un plafond, un grenier, un vide sanitaire ou un garage.

AVERTISSEMENT : POUR RÉDUIRE LE RISQUE D'INCENDIE, UTILISER UNIQUEMENT DES CONDUITS MÉTALLIQUES.

AVERTISSEMENT : POUR MINIMISER LE RISQUE D'UN FEU DE GRAISSE SUR LA CUISINIÈRE :

- Ne jamais laisser un élément de surface fonctionner à puissance de chauffage maximale sans surveillance. Un renversement/débordement de matière grasseuse pourrait provoquer une inflammation et la génération de fumée. Utiliser une puissance de chauffage moyenne ou basse pour le chauffage d'huile.
- Veiller à toujours faire fonctionner le ventilateur de la hotte lors de la cuisson avec une puissance de chauffage élevée ou lors de la cuisson d'un mets à flamber (à savoir crêpes Suzette, cerise jubilee, steak au poivre flambé).
- Nettoyer fréquemment les ventilateurs d'extraction. Veiller à ne pas laisser la graisse s'accumuler sur les surfaces du ventilateur ou des filtres.
- Utiliser toujours un ustensile de taille appropriée. Utiliser toujours un ustensile adapté à la taille de l'élément chauffant.

AVERTISSEMENT: POUR RÉDUIRE LE RISQUE DE DOMMAGES CORPORELS APRÈS LE DÉCLENCHEMENT D'UN FEU DE GRAISSE SUR LA CUISINIÈRE, APPLIQUER LES RECOMMANDATIONS SUIVANTES :^a

- Placer sur le récipient un couvercle bien ajusté, une tôle à biscuits ou un plateau métallique **POUR ÉTOUFFER LES FLAMMES**, puis éteindre le brûleur. **VEILLER À ÉVITER LES BRÛLURES**. Si les flammes ne s'éteignent pas immédiatement, **ÉVACUER LA PIÈCE ET APPELER LES POMPIERS**.
- **NE JAMAIS PRENDRE EN MAIN UN RÉCIPENT ENFLAMMÉ** - vous risquez de vous brûler.
- **NE PAS UTILISER D'EAU**, ni un torchon humide - ceci pourrait provoquer une explosion de vapeur brûlante.
- Utiliser un extincteur **SEULEMENT** si :
 - Il s'agit d'un extincteur de classe ABC, dont on connaît le fonctionnement.
 - Il s'agit d'un petit feu encore limité à l'endroit où il s'est déclaré.
 - Les pompiers ont été contactés.
 - Il est possible de garder le dos orienté vers une sortie pendant l'opération de lutte contre le feu.

^aRecommandations tirées des conseils de sécurité en cas d'incendie de cuisine publiés par la NFPA.

CONSERVEZ CES INSTRUCTIONS

EXIGENCES D'INSTALLATION

Outils et composants

Rassembler les outils et composants nécessaires avant d'entreprendre l'installation. Lire et observer les instructions fournies avec chacun des outils énumérés ci-dessous.

Outils nécessaires

- Niveau
- Perceuse
- Foret de ¼"
- Tourne-écrou ou clé à cliquet de ⅜" (8,0 mm)
- Crayon
- Pince
- Pince à dénuder ou couteau utilitaire
- Mètre-ruban ou règle
- Pistolet à calfeutrage et composé de calfeutrage résistant aux intempéries
- Tournevis Phillips
- Tournevis à lame plate
- Scie sauteuse ou scie à guichet
- Brides de serrage pour conduit d'évacuation
- Cisaille de ferblantier

Pièces nécessaires

- Câble d'alimentation électrique du domicile
- Deux serre-câble approuvés de ½" (12,7 mm) (homologation UL ou CSA)

Pour les installations avec décharge à l'extérieur, il faudra aussi :

- 1 bouche de décharge (décharge à travers le mur ou à travers le toit)
- Circuit d'évacuation métallique

Pour les installations sans décharge à l'extérieur (recyclage), il faudra aussi :

- Ensemble de filtre à charbon - pièce numéro 883140. Voir "Assistance ou service" pour commander.

Pièces facultatives éventuellement nécessaires :

- Tringles d'appui en bois pour placards avec fond en retrait. Longueur et épaisseur selon les dimensions de l'encastrement. Voir la section "Préparation de l'emplacement".
- Deux tringles de bois 1" x 1" x 5" (25,4 x 25,4 x 127,0 mm) pour le plancher du placard. Voir la section "Préparation de l'emplacement".
- Quatre vis à bois, 1¼" (31,8 mm)

Pièces fournies

Retirer les pièces des emballages. Vérifier que toutes les pièces sont présentes.

- 2 vis
- Clapet
- Feuille de protection en plastique (pour panneau avant personnalisé)
- Sachet de quincaillerie

Exigences d'emplacement

IMPORTANT : Observer les dispositions de tous les codes et règlements en vigueur.

Confier l'installation de la hotte à un technicien qualifié. C'est à l'installateur qu'incombe la responsabilité de respecter les distances de séparation exigées, spécifiées sur la plaque signalétique de l'appareil. La plaque signalétique de l'appareil est située derrière le filtre de gauche, sur la paroi arrière de la hotte.

Installer la hotte de cuisinière à distance de toute zone exposée à des courants d'air, comme fenêtres, portes et bouches de chauffage.

Respecter les dimensions indiquées pour les ouvertures à découper dans les placards. Ces dimensions tiennent compte des valeurs minimales des dégagements de séparation. Avant d'effectuer des découpages, consulter les instructions d'installation de la table de cuisson/cuisinière.

On doit disposer d'une prise de courant électrique reliée à la terre. Voir la section "Spécifications électriques".

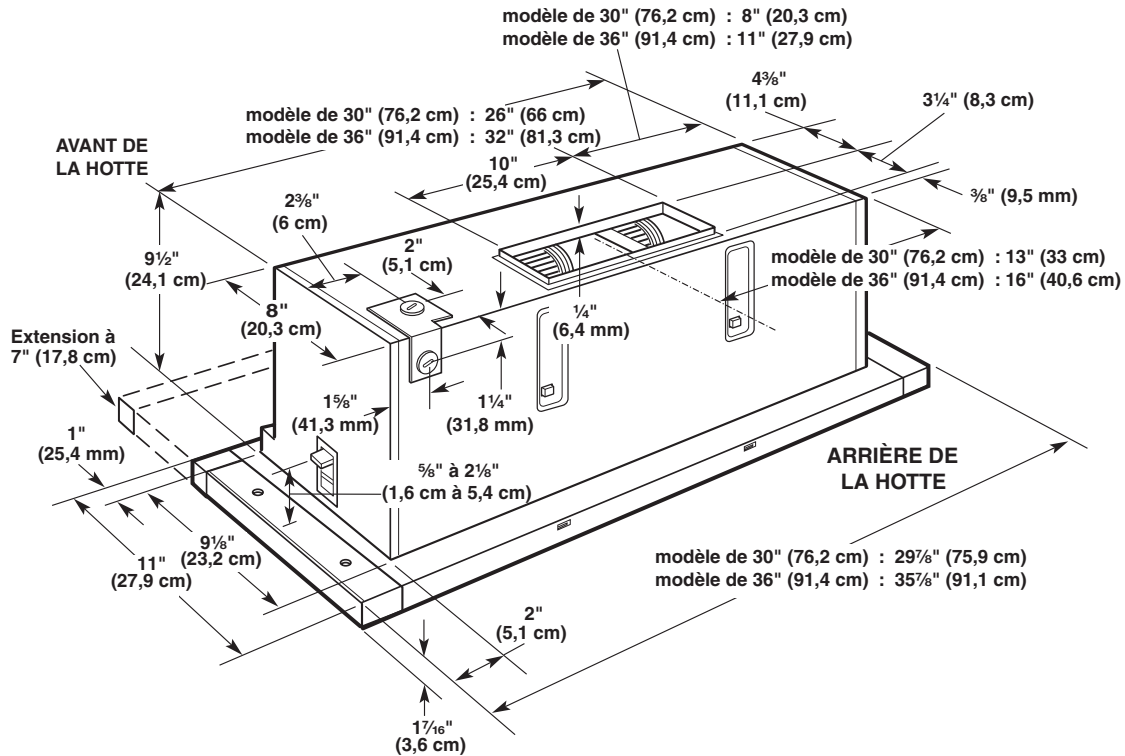
La hotte a été configurée à l'usine pour une installation avec décharge à l'extérieur à travers le toit ou le mur. Pour une installation sans décharge à l'extérieur (recyclage), voir "Installation sans décharge à l'extérieur (recyclage) à travers le soffite/placard", à la section "Préparation de l'emplacement". L'ensemble de filtre à charbon (pièce numéro 883140) est disponible chez votre marchand ou chez un distributeur de pièces autorisé.

Assurer l'étanchéité au niveau de chaque ouverture découpée dans le plafond ou le mur pour l'installation de la hotte de cuisinière.

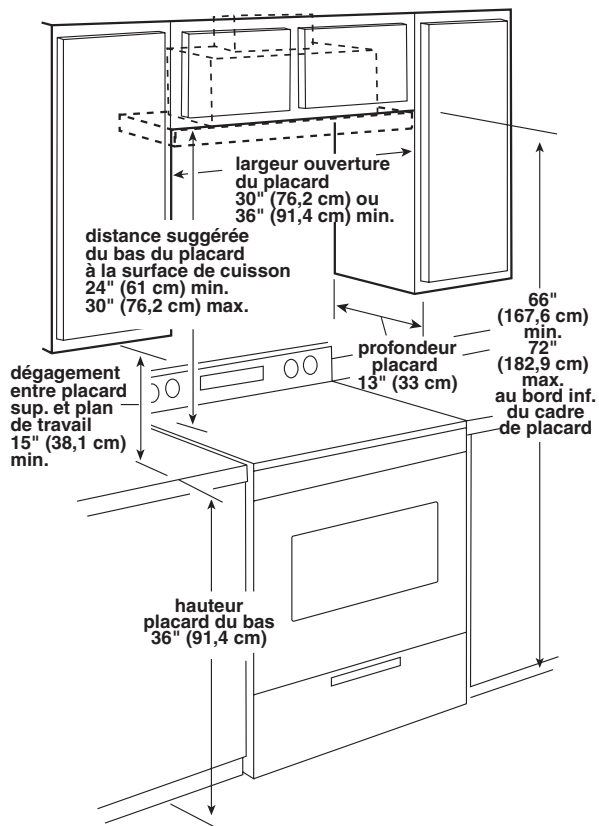
Installation dans une résidence mobile

L'installation de cette hotte doit satisfaire aux exigences de la norme Manufactured Home Construction Safety Standards, Titre 24 CFR, partie 328 (anciennement Federal Standard for Mobile Home Construction and Safety, titre 24, HUD, partie 280); lorsque cette norme n'est pas applicable, l'installation doit satisfaire aux critères de la plus récente édition de la norme Manufactured Home Installation 1982 (Manufactured Home Sites, Communities and Setups) ANSI A225.1/NFPA 501A*, ou des codes locaux.

Dimensions du produit



Dimensions du placard



Exigences concernant l'évacuation

(modèles avec décharge à l'extérieur uniquement)

- Le circuit d'évacuation doit décharger l'air à l'extérieur, excepté pour les installations sans décharge à l'extérieur (recyclage).
- Ne pas terminer le circuit d'évacuation dans un grenier ou dans un autre espace fermé.
- Ne pas utiliser une bouche de décharge murale de 4" (10,2 cm) normalement utilisée pour un équipement de buanderie.
- Utiliser un conduit métallique uniquement. Un conduit en métal rigide est recommandé. Ne pas utiliser de conduit de plastique ou en feuille métallique.
- La longueur du système d'évacuation et le nombre de coudes doit être réduit au minimum pour une performance efficace.

Pour un fonctionnement efficace et silencieux :

- Ne pas utiliser plus de trois coudes à 90°.
- Veiller à ce qu'il y ait une section droite de conduit d'un minimum de 24" (61,0 cm) entre les raccords coudés, si on doit en utiliser plus d'un.
- Ne pas installer 2 coudes ensemble.
- Le circuit d'évacuation doit comporter un clapet anti-reflux. Si la bouche de décharge murale ou par le toit comporte un clapet anti-reflux, ne pas utiliser le clapet fourni avec la hotte de cuisinière.
- Au niveau de chaque jointure du circuit d'évacuation, assurer l'étanchéité avec les brides de serrage.
- À l'aide d'un produit de calfeutrage, assurer l'étanchéité autour de la bouche de décharge à l'extérieur (à travers le mur ou le toit).
- La taille du conduit doit être uniforme.

Installations pour régions à climat froid

On doit installer un clapet anti-reflux supplémentaire à l'arrière pour minimiser le reflux d'air froid, et incorporer un élément d'isolation thermique pour minimiser la conduction de chaleur par l'intermédiaire du conduit d'évacuation, de l'intérieur de la maison à l'extérieur. Le clapet anti-reflux doit être placé du côté air froid par rapport à l'élément d'isolation thermique.

L'élément d'isolation thermique doit être aussi proche que possible de l'endroit où le circuit d'évacuation s'introduit dans la partie chauffée de la maison.

Air d'appoint

Les codes de locaux du bâtiment peuvent exiger l'emploi d'un système de renouvellement de l'air/introduction d'air d'appoint, lors de l'utilisation d'un système d'aspiration de débit supérieur à une valeur (pieds cubes par minute) spécifiée. Le débit spécifié en pieds cubes par minute varie d'une juridiction à l'autre. Consulter un professionnel des installations de CVCA au sujet des exigences spécifiques applicables dans la juridiction locale.

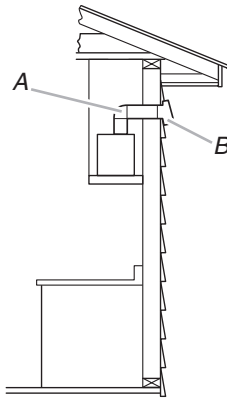
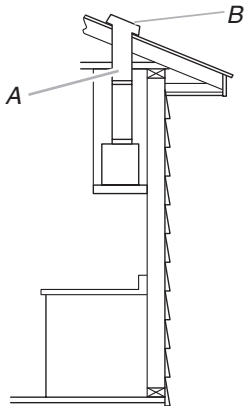
Méthodes d'évacuation

Cette hotte a été configurée à l'usine pour la décharge à travers le toit ou à travers le mur.

Le système de décharge requis pour l'installation n'est pas fourni. L'utilisation d'un circuit d'évacuation rectangulaire de A 3 1/4" x 10" (8,3 cm x 25,0 cm) est recommandée.

Décharge à travers le toit

Décharge à travers le mur



A. 3 1/4" x 10" (8,3 cm x 25,0 cm) conduit à travers le toit
B. Bouche de décharge sur toit

A. 3 1/4" x 10" (8,3 cm x 25,0 cm) conduit à travers le mur
B. Bouche de décharge murale

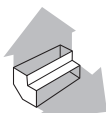
Calcul de la longueur effective du circuit d'évacuation

On recommande une longueur du système d'évacuation de 3 1/4" x 10" (8,3 cm x 25 cm) avec un maximum de 26 pi (8,0 m). Pour une performance optimale, ne pas utiliser plus de trois coudes à 90°.

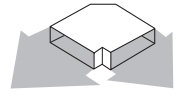
Pour calculer la longueur effective du circuit d'évacuation nécessaire, additionner les longueurs équivalentes (en pieds/mètres) de tous les composants utilisés dans le circuit.

Composant 3 1/4" x 10" (8,3 cm x 25 cm)

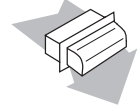
Coude à 90° de 3 1/4" x 10" (8,3 cm x 25,4 cm) 5 pi (1,5 m)



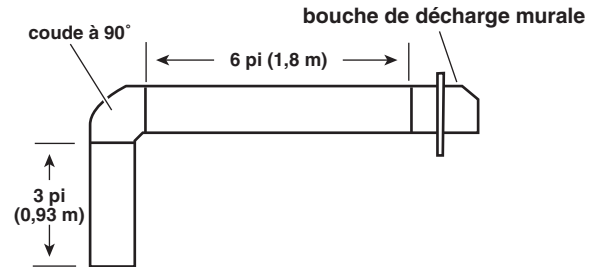
Coude plat de 3 1/4" x 10" (8,3 cm x 25,4 cm) 12 pi (3,7 m)



3 1/4" x 10" (8,3 cm x 25,4 cm) bouche de décharge murale 0 pi (0,0 m)



Exemple de circuit de décharge 3 1/4" x 10" (8,3 cm x 25,0 cm)



Longueur maximum = 26 pi (8 m)

1 - coude à 90° = 5 pi (1,5 m)

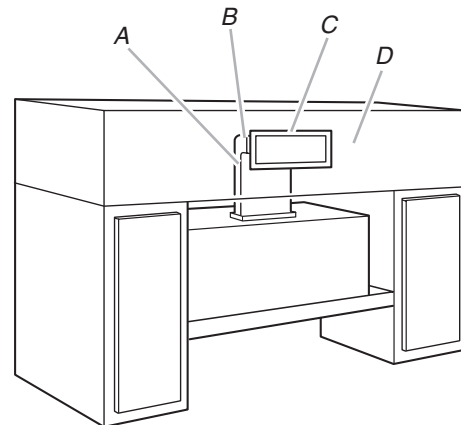
1 - bouche de décharge murale = 0 pi (0,0 m)

section droite de 9 pi (2,8 m) = 9 pi (2,8 m)

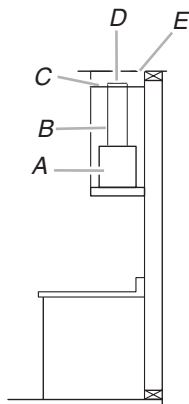
Longueur totale = 14 pi (4,3 m)

Installations sans décharge à l'extérieur (recyclage) à travers le soffite/placard

S'il n'est pas possible d'évacuer les fumées et vapeurs de cuisson à l'extérieur, on peut employer la version, installation sans décharge à l'extérieur (recyclage), de la hotte dotée d'un filtre à charbon actif. L'ensemble de filtre à charbon (pièce numéro 883140) est disponible chez votre marchand ou chez un distributeur de pièces autorisé. L'installation d'un clapet anti-reflux n'est pas nécessaire.



A. Conduit de 3 1/4" x 10" (8,3 cm x 25,0 cm)
B. Coude de 3 1/4" x 10" (8,3 cm x 25,0 cm)
C. Couvercle du conduit d'évacuation
D. Soffite



A. Hotte de cuisinière D. Couverture du conduit
B. Circuit d'évacuation d'évacuation
C. Dessus du placard E. Plafond ou soffite

Spécifications électriques

Pour les modèles de série GZ ou IH :

AVERTISSEMENT : Pour minimiser le risque d'incendie ou de choc électrique, ne pas utiliser ce ventilateur avec un dispositif de réglage de vitesse à semi-conducteurs.

Pour les modèles de série KVVU :

Ce ventilateur convient à une utilisation avec un dispositif de réglage de vitesse à semi-conducteurs.

Observer les dispositions de tous les codes et règlements en vigueur.

S'assurer que l'installation électrique est correcte et qu'elle satisfait aux exigences de la plus récente édition de la norme National Electrical Code, ANSI/NFPA 70, ou de la norme CSA C22.1-94, Code canadien de l'électricité, partie 1 et C22.2 N°0-M91 (dernière édition) et de tous les codes et règlements en vigueur.

Si les codes le permettent et si on utilise un conducteur distinct de liaison à la terre, il est recommandé qu'un électricien qualifié vérifie la qualité de la liaison à la terre.

Pour obtenir un exemplaire des normes des codes ci-dessus, contacter :

National Fire Protection Association
One Batterymarch Park
Quincy, MA 02269
CSA International
8501 East Pleasant Valley Road
Cleveland, OH 44131-5575

- L'appareil doit être alimenté par un circuit de 120 V, CA seulement, 60 Hz, 15 ampères, protégé par fusible.
- Si le domicile possède un câblage en aluminium, suivre la procédure ci-dessous :

1. Raccorder une section de câble en cuivre massif aux conducteurs en queue de cochon.
2. Connecter le câblage en aluminium à la section ajoutée de câblage en cuivre en utilisant des connecteurs et/ou des outils spécialement conçus et homologués UL pour fixer le cuivre à l'aluminium.

Suivre la procédure recommandée par le fabricant de connecteurs électriques. La connexion aluminium/cuivre doit être conforme aux codes locaux et aux pratiques de câblage acceptées par l'industrie.

- Le calibre des conducteurs et les connexions doivent être compatibles avec les caractéristiques électriques de l'appareil spécifiées sur la plaque signalétique. La plaque signalétique de l'appareil est située derrière le filtre, sur la paroi arrière de la hotte.
- Le calibre des conducteurs doit être conforme aux exigences du National Electrical Code, de la plus récente édition de la norme ANSI/NFPA 70 ou des normes CSA C221-94, Code canadien de l'électricité, partie 1 et C22.2 N°0-M91 (édition la plus récente) et de tous les codes et règlements en vigueur. 1-94, Canadian Electrical Code, Part 1 and C22.2 N°0-M91 (latest edition) and all local codes and ordinances.

INSTRUCTIONS D'INSTALLATION

Préparation de l'emplacement

- Il est recommandé que l'installation du circuit d'évacuation soit réalisée avant celle de la hotte.
 - Avant de procéder aux découpes, vérifier que les distances de séparation pour les raccords dans les cavités du plafond ou du mur sont adéquates.
1. Déconnecter la source de courant électrique.
 2. Déterminer la méthode d'évacuation à utiliser : décharge à travers le mur ou le toit, ou recyclage.
 3. Sélectionner une surface plane pour l'assemblage de la hotte. Placer le matériau de protection sur cette surface.

⚠ AVERTISSEMENT

Risque du poids excessif

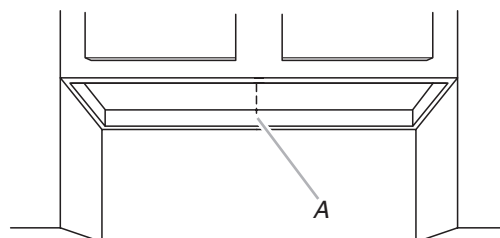
Utiliser deux ou plus de personnes pour déplacer et installer la hotte de la cuisinière.

Le non-respect de cette instruction peut causer une blessure au dos ou d'autre blessure.

4. À l'aide de deux personnes ou plus, soulever la hotte et la poser sur la surface couverte.

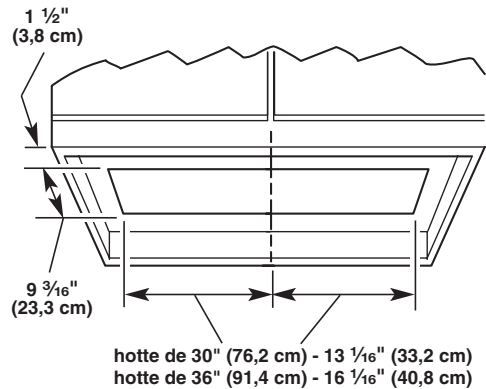
Ouverture découpée du placard pour la hotte

1. Repérer et tracer clairement l'axe central sur la face inférieure du placard.



A. Axe central

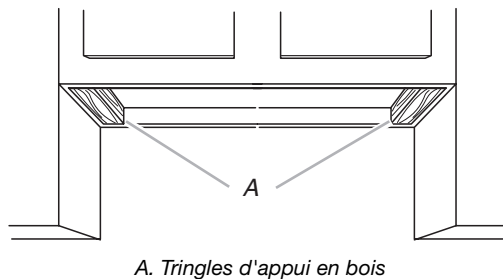
2. Relever les mesures appropriées et tracer les lignes indiquées sur l'illustration, selon la taille de la hotte. Utiliser une scie sauteuse ou scie à guichet pour découper l'ouverture à travers le fond du placard.



Dimensions de l'ouverture finie :

30" (76,2 cm) hotte - 9 3/16" x 26 1/8" (23,3 cm x 66,4 cm)
36" (91,4 cm) hotte - 9 3/16" x 32 1/8" (23,3 cm x 81,6 cm)

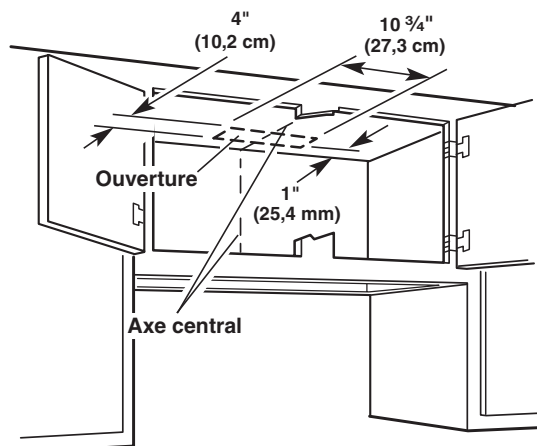
3. Si le fond du placard forme une cavité au-dessus d'un cadre de support, on devra installer des tringles d'appui en bois à droite et à gauche de l'ouverture découpée afin de laisser suffisamment d'espace pour pouvoir manœuvrer l'élément coulissant. Les tringles d'appui en bois doivent être en affleurement ou en retrait de 1/16" to 1/8" (1,6 mm à 3,2 mm) par rapport au fond du cadre de support.



4. Terminer la préparation du placard conformément aux instructions, selon le type d'installation.

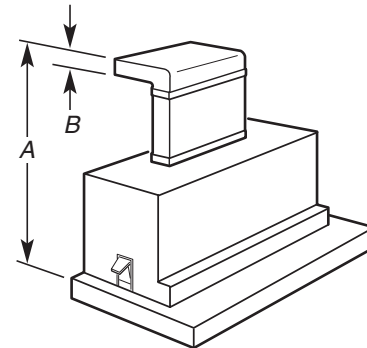
Décharge à l'extérieur, à travers le toit

Relever les mesures appropriées et tracer les lignes indiquées sur l'illustration. Utiliser une scie sauteuse ou scie à guichet pour découper une ouverture rectangulaire pour le passage du conduit d'évacuation.

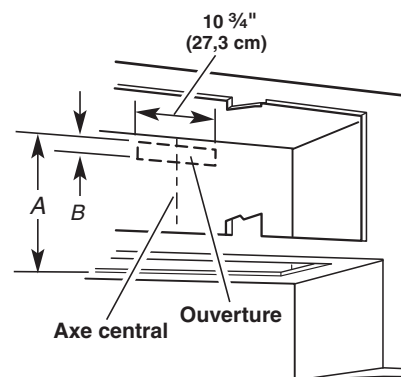


Décharge à l'extérieur, à travers le mur

Assembler le circuit d'évacuation qui sera utilisé sur l'ouverture de décharge. Ne pas raccorder le circuit d'évacuation à la hotte tout de suite. Mesurer la distance entre le sommet du logement de l'élément coulissant et le sommet du conduit d'évacuation (A), et l'épaisseur du conduit d'évacuation (B). Enlever le conduit d'évacuation.

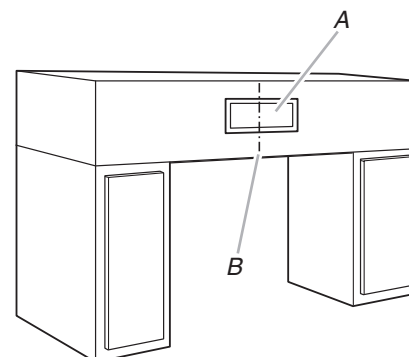


Reporter les dimensions A et B sur la paroi arrière du placard. Mesurer depuis la face inférieure du placard, ou la face inférieure des tringles d'appui en bois, le cas échéant. Marquer le périmètre de l'ouverture à découper – voir l'illustration. Utiliser une scie sauteuse ou scie à guichet pour découper une ouverture rectangulaire pour le passage du conduit d'évacuation.



Installation sans décharge à l'extérieur (recyclage) à travers le soffite/placard

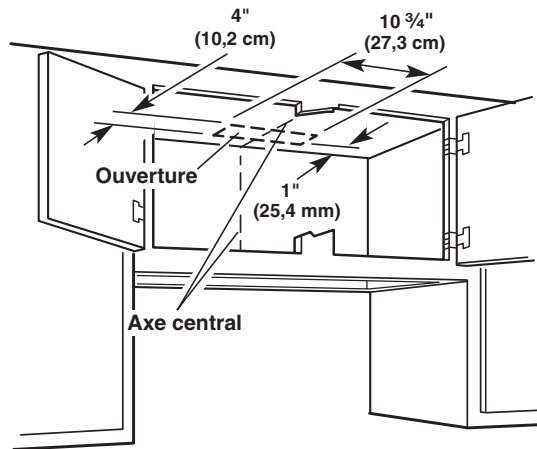
Relever les mesures appropriées et marquer le périmètre de l'ouverture rectangulaire à découper dans le soffite - employer la méthode décrite pour la décharge à travers le mur. Relever les mesures appropriées et tracer le même axe central sur le soffite au-dessus de zone de la hotte.



A. Couverture du conduit d'évacuation
B. Axe central

Utiliser le couvercle de décharge de l'ensemble de filtre à charbon ou un autre couvercle de décharge comme modèle pour tracer le périmètre de l'ouverture. Utiliser une scie sauteuse ou scie à guichet pour découper une ouverture rectangulaire pour le passage du circuit d'évacuation.

L'air aspiré par la hotte peut être déchargé à l'intérieur, à travers le sommet du placard.

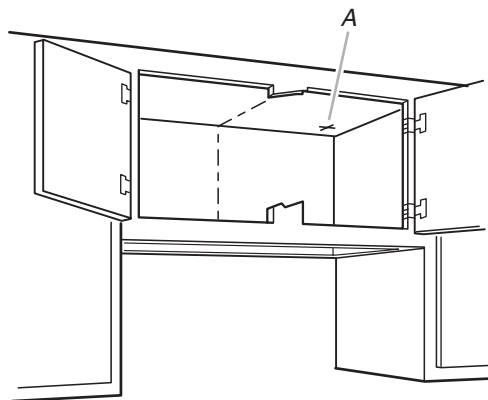


On doit utiliser l'ensemble de filtre à charbon - pièce numéro 883140.

5. Installer le circuit d'évacuation selon la méthode requise. Utiliser un calfeutrant pour assurer l'étanchéité au point de traversée du mur extérieur ou du toit.
6. Déterminer quel opercule arrachable du trou de passage du câblage doit être enlevé pour le passage du câble d'alimentation.

Câblage à travers l'opercule arrachable du sommet :

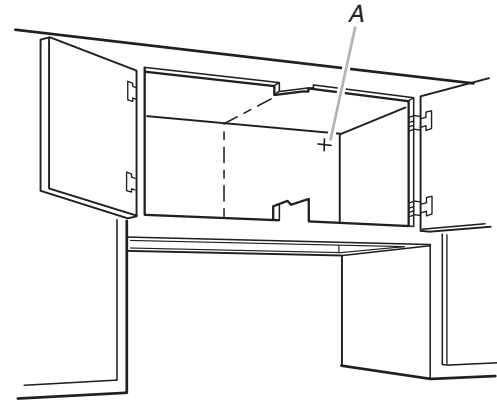
Mesurer et tracer un ligne parallèle soit à $10\frac{5}{8}$ " (27,0 cm) pour la hotte de 30" (76,2 cm) ou à $11\frac{5}{8}$ " (29,5 cm) pour la hotte de 36" (91,4 cm), à droite de l'axe central, au plafond du placard. Sur cette ligne, marquer un point à 4" (10,2 cm) de la paroi arrière du placard. Percer un trou d'un diamètre de $1\frac{1}{4}$ " (3,2 cm) à travers le plafond du placard.



A. Trou de passage du câble

Câblage à travers l'opercule arrachable de passage du câblage :

Mesurer et tracer un ligne parallèle soit à $11\frac{3}{8}$ " (29,8 cm) pour la hotte de 30" (76,2 cm) ou à $14\frac{3}{8}$ " (36,5 cm) pour la hotte de 36" (91,4 cm), à droite de l'axe central, sur la paroi arrière du placard. Sur cette ligne, marquer un point à $8\frac{1}{4}$ " (21,0 cm) du fond du placard. Percer un trou d'un diamètre de $1\frac{1}{4}$ " (3,2 cm) à travers la paroi.



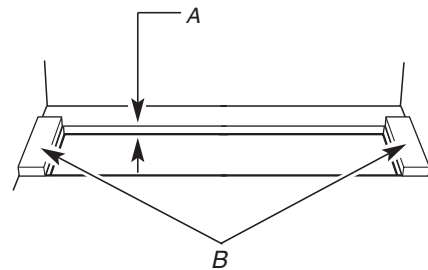
A. Trou de passage du câble

7. Acheminer le câblage à travers le mur ou le placard; veiller à respecter les prescriptions du Code de l'électricité et de tous les codes et règlements locaux.

Utiliser un calfeutrant pour assurer l'étanchéité au point de traversée du câblage.

REMARQUE : Ne pas mettre le système sous tension avant d'avoir complètement terminé l'installation.

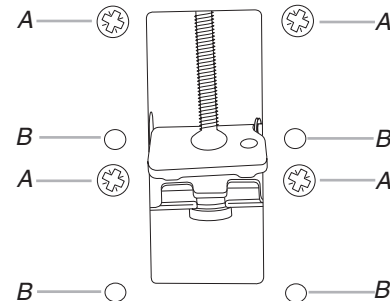
8. Mesurer l'épaisseur du plancher du placard, en incluant les tringles d'appui en bois si celles-ci sont utilisées. Si l'épaisseur est inférieure à $\frac{5}{8}$ " (15,9 mm), installer des tringles d'appui en bois d'une longueur minimale de 5" (12,7 cm) contre le plancher du placard. La bride de montage peut être réglée entre $\frac{5}{8}$ " (15,9 mm) et $2\frac{1}{8}$ " (54,0 mm) pour la prise en compte des tringles d'appui en bois.



A. Moind de $\frac{5}{8}$ " (15,9 mm)

B. Cales d'appui en bois (épaisseur en fonction des exigences)

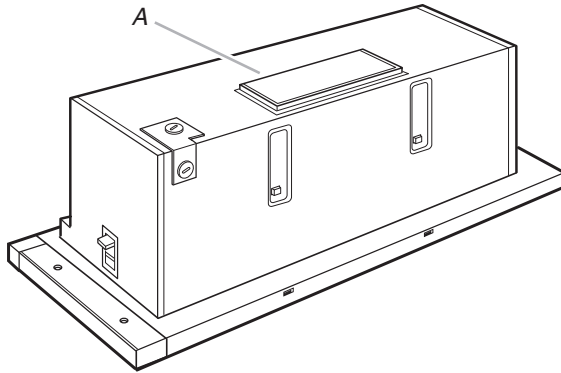
9. Les brides à ressort sont installées à l'usine afin de convenir à une épaisseur entre $1\frac{3}{16}$ " et $2\frac{1}{4}$ ". Si l'épaisseur du fond du placard est de moins de $1\frac{3}{16}$ ", les brides à ressort peuvent être retirées et repositionnées plus bas, du réglage supérieur (A) vers le réglage inférieur (B), en retirant les 4 vis Phillips.



A. Réglage supérieur - installé à l'usine

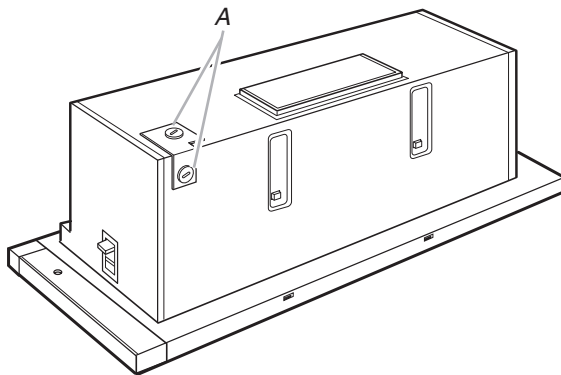
B. Réglage inférieur

10. Fixer le clapet anti-reflux sur l'ouverture de sortie. Si la bouche de décharge à travers le toit ou la bouche de décharge murale comporte un clapet, ne pas fixer le clapet à la hotte d'évacuation.



A. Clapet anti-reflux

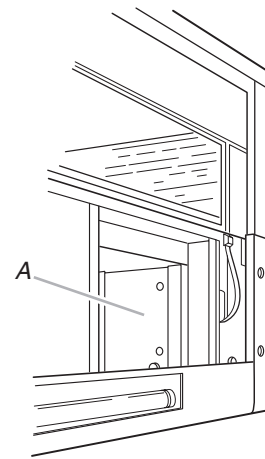
11. Retirer l'opercule arrière ou supérieur (selon le cas) du trou de passage du câble électrique, en fonction de celui qui est utilisé. Installer un serre-câble approuvé de 1/2" (homologation UL ou CSA).



A. Opercules arrachables de trou de passage du câblage

12. Placer la hotte en appui sur la face arrière, sur une surface protégée.
- Faire glisser l'élément coulissant de la hotte vers l'avant.
 - Ôter les filtres à graisse métalliques. Voir la section "Entretien de la hotte".
 - Ôter le couvercle du boîtier de connexion.
 - Fermer l'élément coulissant de la hotte.

- e) Visser les brides de montage à la position supérieure.

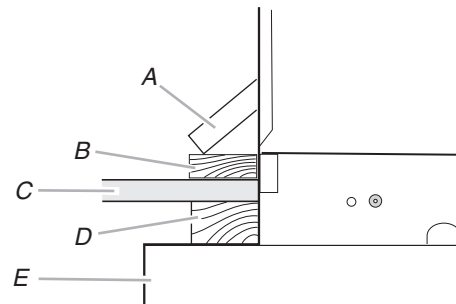


A. Couvercle du boîtier de connexion

REMARQUE : Pour certaines configurations d'installation avec recyclage à l'intérieur avec utilisation d'un ensemble de filtre à charbon, il peut être plus facile de fixer le circuit d'évacuation à la hotte avant de soulever la hotte jusqu'à son emplacement final. Serrer le point de connexion avec des brides.

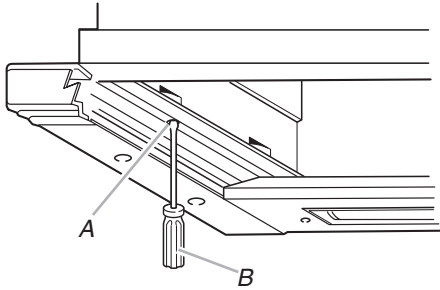
Installation de la hotte

- À l'aide d'au moins deux personnes, soulever la hotte jusqu'à son emplacement final et faire passer le câble d'alimentation électrique du domicile à travers l'ouverture de câblage dans la hotte.
- Les brides de montage doivent chevaucher le fond du placard ou les tringles d'appui en bois.
- Centrer la hotte.



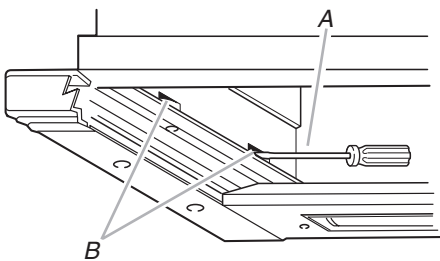
A. Bride de montage
 B. Tringle d'appui en bois facultative
 C. Fond du placard
 D. Tringle d'appui en bois facultative pour placard encastré
 E. Hotte coulissante

- Vérifier que le panneau avant est parallèle à la façade du placard lorsque le filtre est enfoncé. Faire coulisser le filtre vers l'avant. Serrer les vis de la bride de montage pour fixer la hotte au placard.



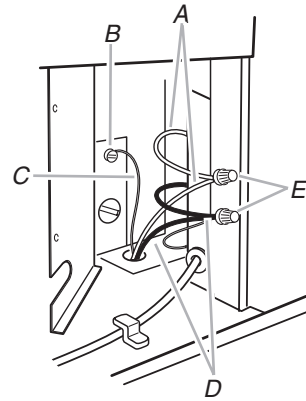
A. Vis de bride de montage
B. Tournevis à lame plate

- Aligner le panneau avant de la hotte avec le placard. Faire glisser le filtre vers l'avant. Identifier les 2 vis de part et d'autre; les faire tourner dans le sens antihoraire et les desserrer. Ajuster l'avant de la hotte en position verticale, de $\frac{3}{8}$ " (9,5 mm) vers le haut ou vers le bas, ou horizontalement, de $\frac{3}{4}$ " (19,0 mm) d'avant en arrière, pour l'avant en affleurement avec le placard. Serrer les vis. S'il est nécessaire d'ajuster les dimensions indiquées, modifier l'épaisseur des tringles d'appui ou repercer les trous de montage.



A. Tournevis Phillips
B. Vis de réglage

- Connecter ensemble les conducteurs blancs (A) à l'aide de connecteurs de fils (homologation UL).



A. Conducteurs blancs
B. Vis verte de liaison à la terre
C. Conducteur de liaison à la terre
D. Conducteurs noirs
E. Connecteurs de fils

⚠ AVERTISSEMENT



Risque d'incendie

Relier le ventilateur à la terre.

Utiliser du fil en cuivre.

Brancher le fil relié à la terre à la vis verte reliée à la terre dans la boîte de la borne.

Le non-respect de ces instructions peut causer un décès, un incendie ou un choc électrique.

Raccordement électrique

⚠ AVERTISSEMENT



Risque de choc électrique

Déconnecter la source de courant électrique avant l'entretien.

Replacer pièces et panneaux avant de faire la remise en marche.

Le non-respect de ces instructions peut causer un décès ou un choc électrique.

- Déconnecter la source de courant électrique.
- Connecter ensemble les conducteurs noirs (D) à l'aide de connecteurs de fils (homologation UL).

- Connecter le conducteur de liaison à la terre (vert ou nu) du câble d'alimentation du domicile à la vis verte de liaison à la terre située dans la boîte de connexion de la hotte.
- Serrer la vis du serre-câble.
- Installer le couvercle de la boîte de connexion.

Raccordement du circuit d'évacuation

Installations avec décharge à l'extérieur

- Réinstaller les filtres métalliques. Voir la section "Entretien de la hotte".
- Connecter le circuit d'évacuation sur l'ouverture de décharge de la hotte. Serrer le point de connexion avec des brides.
- Reconnecter la source de courant électrique.
- Contrôler le fonctionnement du ventilateur de la hotte et de la lampe.
- Remettre l'élément coulissant de la hotte de cuisinière en place.

Installation sans décharge à l'extérieur (recyclage)

1. Connecter le circuit d'évacuation sur l'ouverture de décharge de la hotte. Serrer le point de connexion avec des brides.
2. Installer l'ensemble de filtre à charbon - pièce numéro 883140. Voir la section "Entretien de la hotte".
3. Réinstaller les filtres à graisse métalliques. Voir la section "Entretien de la hotte".
4. Reconnecter la source de courant électrique.
5. Contrôler le fonctionnement du ventilateur de la hotte et de la lampe.
6. Remettre le filtre de la hotte de cuisinière en place.

Pour commander des ensembles de rechange, voir la section "Assistance ou service".

Ensembles de garniture avant (facultatif)

Des ensembles de garniture avant permettant d'assortir le panneau avant à la couleur de la cuisinière ou de la table de cuisson sont disponibles chez votre marchand.

Pour des renseignements sur la commande, voir la section "Assistance ou service".

Pour les modèles de série de 30" (76,2 cm)

KWVU205 :

- Pièce n° 4360201 (blanc)
- Pièce n° 4360203 (noir)
- Pièce n° 4392855 (biscuit)

Pour les modèles de série de 36" (91,4 cm)

KWVU265 :

- Pièce n° 4360202 (blanc)
- Pièce n° 4360204 (noir)
- Pièce n° 4392856 (biscuit)

Pour les modèles de série de 30" (76,2 cm)

GZ7730 :

- Pièce n° 4396067 (blanc)
- Pièce n° 4396066 (noir)
- Pièce n° 8171368 (biscuit)

IH5302 :

- Pièce n° 4396844 (blanc)

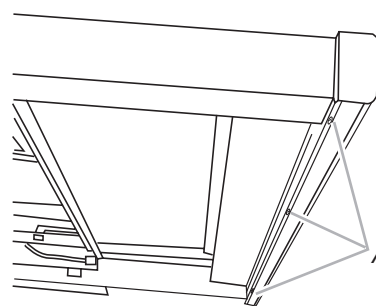
Pour les modèles de série de 36" (91,4 cm)

GZ7736 :

- Pièce n° 4396069 (blanc)
- Pièce n° 4396068 (noir)
- Pièce n° 8171369 (biscuit)

Installation de l'ensemble de garniture avant

1. Extraire l'élément coulissant de la hotte de cuisinière pour accéder plus facilement aux vis.
2. Ôter les 3 vis de montage directement derrière le panneau avant et retirer la garniture avant de la hotte de cuisinière.



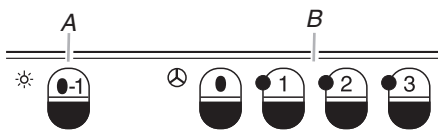
A. Trois vis de montage

3. Retirer la garniture existante et installer la nouvelle pièce.
4. Réinstaller le panneau avant à l'aide des 3 vis de montage.
5. Remettre l'élément coulissant de la hotte de cuisinière en place.

UTILISATION DE LA HOTTE

La hotte de cuisinière est conçue pour extraire fumée, vapeurs de cuisson et odeurs de la zone de la table de cuisson. Pour des résultats optimaux, mettre la hotte en marche avant d'entreprendre une cuisson, et la laisser fonctionner pendant plusieurs minutes après une cuisson afin d'évacuer de la cuisine toute odeur de cuisson et fumée.

Modèles de série KWVU



A. Bouton de la lampe
B. Boutons de vitesse

Fonctionnement du ventilateur

1. Faire glisser l'élément coulissant de la hotte vers l'avant.
2. Appuyer sur les boutons de vitesse pour sélectionner la vitesse souhaitée.

À tout moment durant le fonctionnement de la hotte, on peut augmenter ou diminuer la vitesse, ou bien arrêter le ventilateur. Lorsque le ventilateur fonctionne, le témoin lumineux situé à côté du bouton correspondant à la vitesse sélectionnée doit s'allumer.

3. Pour arrêter le ventilateur, appuyer sur le bouton 0 ou fermer l'élément coulissant.

Le ventilateur s'arrête lorsque l'élément coulissant se trouve à environ 2" (5,1 cm) de la position de fermeture. Lorsque l'élément coulissant est ouvert, le ventilateur fonctionne à la vitesse correspondant au dernier réglage.

Fonctionnement de l'éclairage

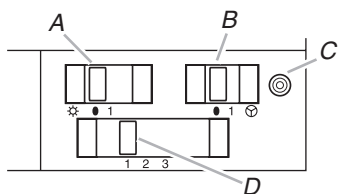
1. Ouvrir l'élément coulissant de la hotte d'environ 1" (2,5 cm).
2. Appuyer sur le bouton de commande de l'éclairage.

La lampe s'allume chaque fois qu'on ouvre l'élément coulissant. On peut utiliser la lampe de la hotte comme source d'éclairage nocturne - il suffit d'ouvrir l'élément coulissant d'environ 1" (2,5 cm).

3. Appuyer sur le bouton de commande de l'éclairage pour éteindre la lampe.

On peut également fermer l'élément coulissant pour commander l'extinction de la lampe de la hotte.

Modèles de série GZ et IH



- A. Commutateur de la lampe
- B. Commutateur du ventilateur
- C. Témoin lumineux
- D. Commutateur de vitesse

Fonctionnement du ventilateur

1. Faire glisser l'élément coulissant de la hotte vers l'avant.
2. Placer le commutateur du ventilateur à la position 1.
3. Placer le commutateur de sélection de vitesse au réglage désiré.
À tout moment durant le fonctionnement de la hotte, on peut augmenter ou diminuer la vitesse du ventilateur de la hotte, ou encore arrêter le ventilateur. Le témoin doit être illuminé lorsque le ventilateur fonctionne.

4. Placer le commutateur du ventilateur à la position 0 ou fermer l'élément coulissant en verre.

Le ventilateur s'arrête lorsque l'élément coulissant se trouve à environ 2" (5,1 cm) de la position de fermeture. Lorsque l'élément coulissant est ouvert, le ventilateur fonctionne sur la base des derniers réglages.

Fonctionnement de l'éclairage

1. Ouvrir l'élément coulissant de la hotte d'environ 1" (2,5 cm).
2. Placer le commutateur d'éclairage à la position 1.
La lampe s'allume chaque fois qu'on ouvre l'élément coulissant. On peut utiliser la lampe de la hotte comme source d'éclairage nocturne - il suffit d'ouvrir l'élément coulissant en verre d'environ 1" (2,5 cm).
3. Placer le commutateur d'éclairage à la position 0.
On peut également fermer l'élément coulissant pour commander l'extinction de la lampe de la hotte.

ENTRETIEN DE LA HOTTE

Nettoyage

IMPORTANT : Nettoyer fréquemment la hotte et les filtres à graisse en suivant les instructions suivantes. Réinstaller les filtres à graisse avant de faire fonctionner la hotte.

Avant d'entreprendre le nettoyage de la hotte, attendre le refroidissement de la lampe.

Surfaces externes

Nettoyer la hotte avec un détergent doux et un chiffon doux. Afin d'éviter d'endommager la surface externe, ne pas utiliser de nettoyeurs abrasifs ou de tampons en laine d'acier

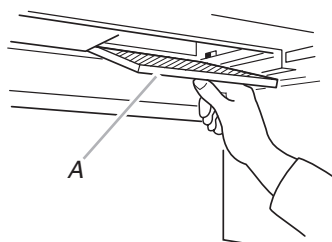
Filtres à graisse métalliques

Les filtres doivent être lavés fréquemment. Laver les filtres au lave-vaisselle ou avec une solution d'eau savonneuse chaude.

Laisser l'eau s'écouler à travers les trous des bords de chaque filtre et sécher parfaitement chaque filtre avant de le réinstaller.

Dépose des filtres à graisse métalliques

1. Sortir l'élément coulissant de la hotte de cuisinière pour exposer les filtres.
2. À l'aide des onglets de filtre, pousser vers l'arrière puis tirer vers le bas pour retirer les filtres.



A. Filtre

Réinstallation des filtres à graisse métalliques

1. Insérer le bord arrière du filtre dans la rainure arrière de l'ouverture d'installation du filtre.
2. Pousser le filtre vers l'arrière.
3. Pousser le filtre vers le haut et le placer derrière les deux onglets sur le rebord avant de l'ouverture du filtre puis relâcher.

Filtres à charbon – Installations sans décharge à l'extérieur (recyclage)

Les filtres à charbon ne sont pas lavables ou réutilisables.

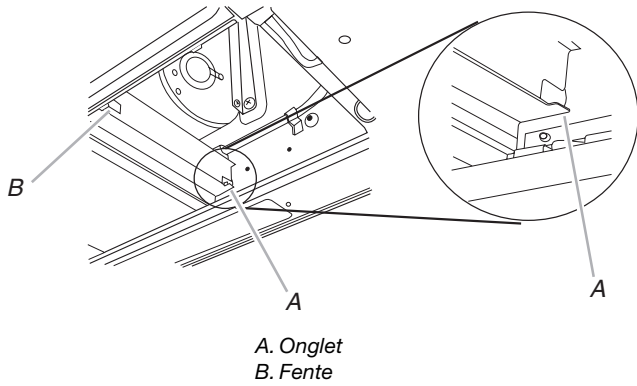
Ils doivent être remplacés tous les 6 mois en cas d'utilisation normale ou plus fréquemment en cas d'utilisation intense.

Les filtres à charbon retiennent les composés responsables des odeurs de cuisson.

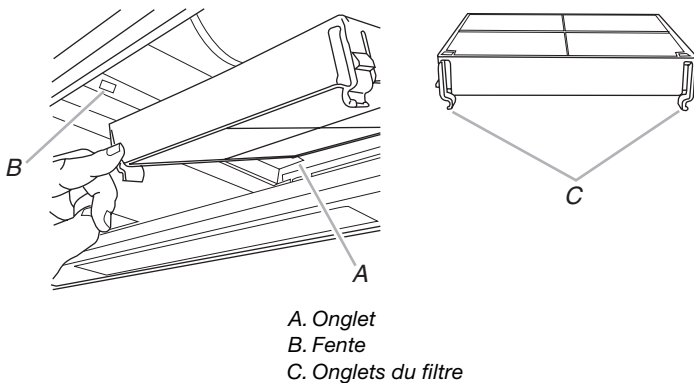
Installation des filtres à charbon

1. Éteindre le ventilateur et les lampes.
2. Sortir l'élément coulissant de la hotte de cuisinière pour exposer les filtres.
3. Ôter les 2 filtres à graisse métalliques. Voir la section "Dépose des filtres à graisse métalliques".
4. Mettre les filtres à graisse métalliques de côté.

- Localiser les onglets "A" et les fentes "B" dans l'ouverture. Il s'agit de l'endroit où le filtre se mettra en place.



- Placer le filtre à charbon dans l'ouverture, en faisant reposer l'arrière du filtre sur les onglets "A", puis fixer les onglets "C" du filtre dans les fentes "B".



- Répéter l'opération pour installer l'autre filtre à charbon.
- Réinstaller les filtres à graisse métalliques. Voir la section "Filtres à graisse métalliques".

Remplacement des filtres à charbon

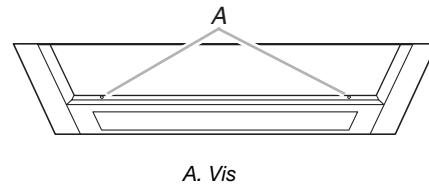
- Éteindre le ventilateur et les lampes.
- Sortir l'élément coulissant de la hotte de cuisinière pour exposer les filtres.
- Ôter les 2 filtres à graisse métalliques. Voir la section "Dépose des filtres à graisse métalliques".
- Mettre les filtres à graisse métalliques de côté.
- Retirer et jeter les deux filtres à charbon.
- Placer les filtres à charbon de rechange dans l'ouverture, en faisant reposer l'arrière du filtre sur les onglets "A", puis fixer les onglets de filtre "C" du filtre dans les fentes "B".
- Réinstaller les filtres à graisse métalliques. Voir la section "Filtres à graisse métalliques".

Remplacement de l'ampoule

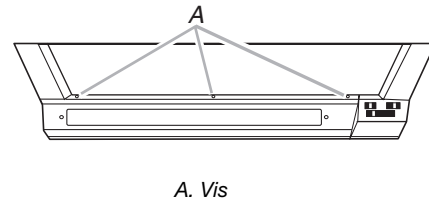
Interrompre l'alimentation de la hotte et laisser l'ampoule refroidir. Utiliser une lampe à fluorescence de 15 watts pour le modèle de 30" (76,2 cm), ou une lampe de 18 watts pour le modèle de 36" (91,4 cm).

- Déconnecter la source de courant électrique.
- Ôter les vis au-dessus du cache-ampoule et les mettre de côté.
- Tirer légèrement le cache-ampoule vers l'avant puis vers le bas pour l'enlever.
- Remplacer l'ampoule.
- Réinstaller le cache-ampoule en le ramenant à sa position initiale.
- Réinstaller les vis.

Modèles de série KWWU

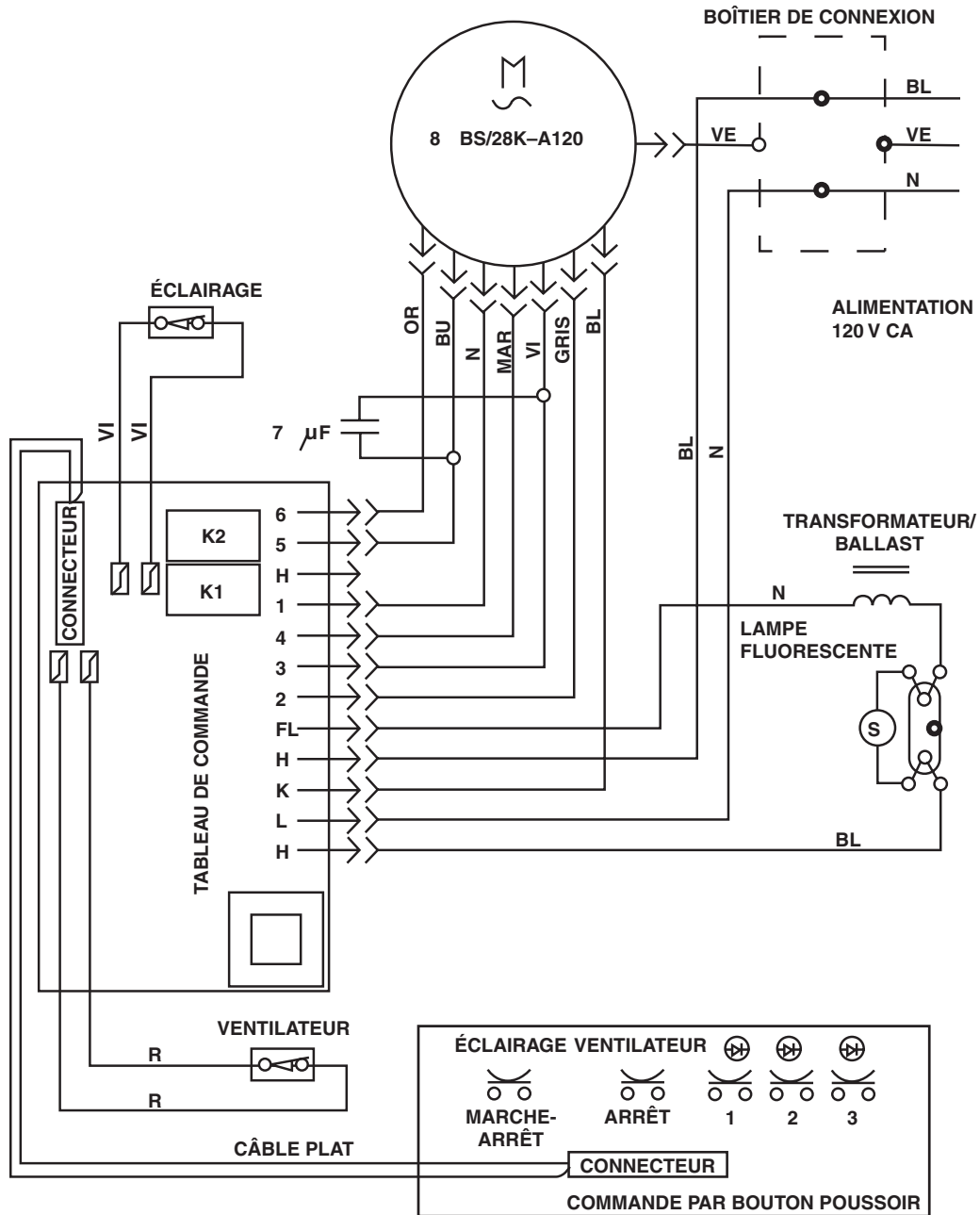


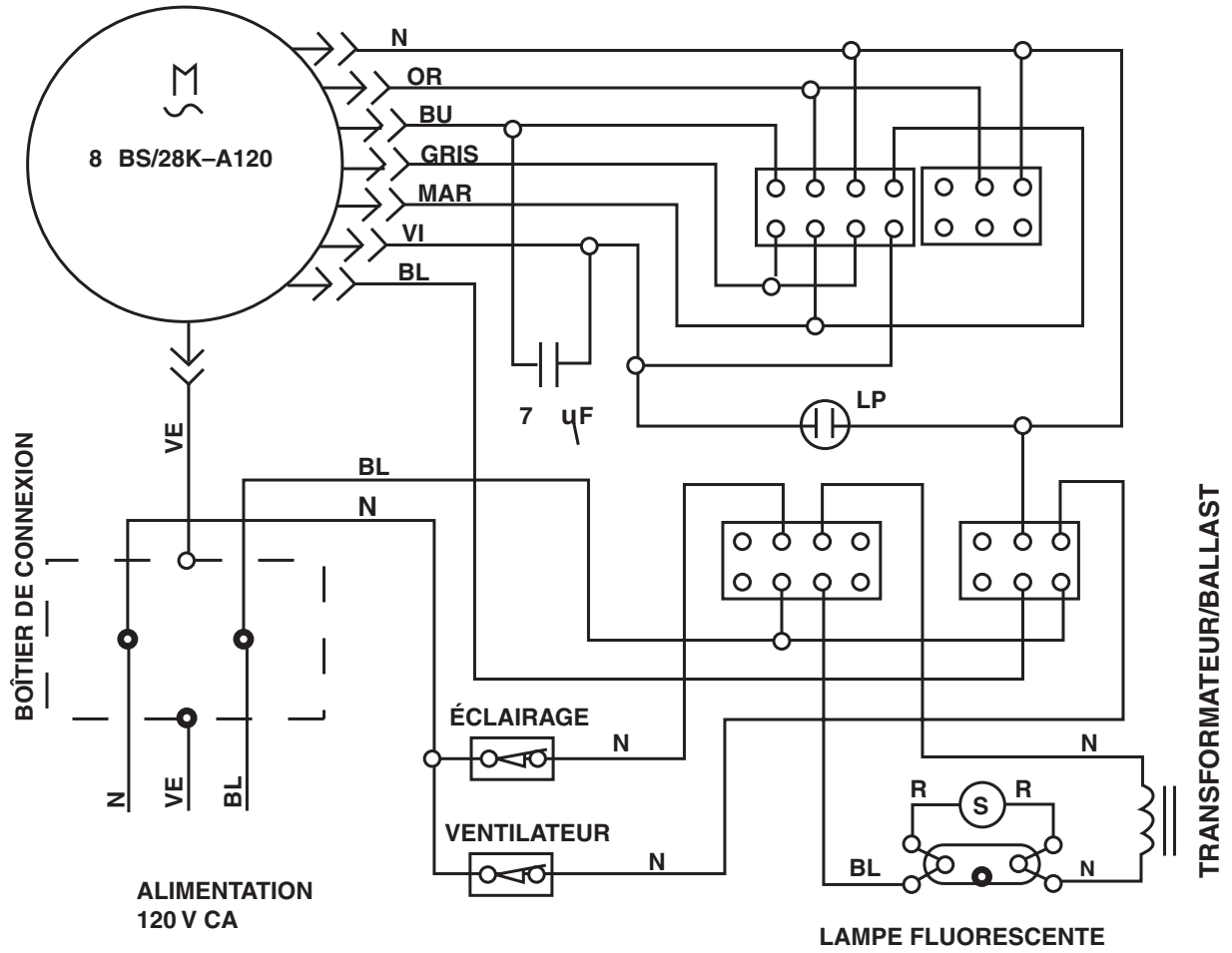
Modèles de série GZ & IH



SCHÉMAS DE CÂBLAGE

Modèles Séries KWHVU





ASSISTANCE OU SERVICE

Lors d'un appel pour assistance ou service, veuillez connaître la date d'achat, le numéro de modèle et le numéro de série au complet de l'appareil. Ces renseignements nous aideront à mieux répondre à votre demande.

Si vous avez besoin de pièces de rechange

Si vous avez besoin de commander des pièces de rechange, nous vous recommandons d'employer uniquement des pièces spécifiées par l'usine. Les pièces spécifiées par l'usine fonctionneront bien parce qu'elles sont fabriquées avec la même précision utilisée dans la fabrication de chaque nouvel appareil. Pour localiser des pièces spécifiées par l'usine dans votre région, nous appeler ou téléphoner au centre de service désigné Whirlpool le plus proche.

Veuillez appeler sans frais le Centre pour l'eXpérience de la clientèle de Whirlpool Canada LP au : **1-800-807-6777**.

Nos consultants vous renseigneront sur les sujets suivants :

- Caractéristiques et spécifications sur toute notre gamme d'appareils électroménagers.
- Consignes d'utilisation et d'entretien.
- Ventes d'accessoires et de pièces de rechange.
- Références aux marchands locaux, aux distributeurs de pièces de rechange et aux compagnies de service. Les techniciens de service désignés par Whirlpool Canada LP sont formés pour remplir la garantie des produits et fournir un service après la garantie, partout au Canada.

Pour plus d'assistance

Si vous avez besoin de plus d'assistance, vous pouvez soumettre par écrit toute question ou préoccupation à Whirlpool Canada LP à l'adresse suivante :

Centre pour l'eXpérience de la clientèle
Whirlpool Canada LP
1901 Minnesota Court
Mississauga, Ontario L5N 3A7

Veuillez inclure dans votre correspondance un numéro de téléphone où on peut vous joindre dans la journée.

GARANTIE DES GROS APPAREILS MÉNAGERS WHIRLPOOL CORPORATION

GARANTIE LIMITÉE

Pendant un an à compter de la date d'achat, lorsque ce gros appareil ménager est utilisé et entretenu conformément aux instructions jointes à ou fournies avec le produit, Whirlpool Corporation ou Whirlpool Canada LP (ci-après désignées "Whirlpool") paiera pour les pièces spécifiées par l'usine et la main-d'œuvre pour corriger les vices de matériaux ou de fabrication. Le service doit être fourni par une compagnie de service désignée par Whirlpool. Cette garantie limitée est valide uniquement aux États-Unis ou au Canada et s'applique exclusivement lorsque l'appareil est utilisé dans le pays où il a été acheté. À l'extérieur du Canada et des 50 États des États-Unis, cette garantie limitée ne s'applique pas. Une preuve de la date d'achat original est exigée pour obtenir un service dans le cadre de la présente garantie limitée.

ARTICLES EXCLUS DE LA GARANTIE

La présente garantie limitée ne couvre pas :

1. Les visites de service pour rectifier l'installation du gros appareil ménager, montrer à l'utilisateur comment utiliser l'appareil, remplacer ou réparer des fusibles ou rectifier le câblage ou la plomberie du domicile.
2. Les visites de service pour réparer ou remplacer les ampoules électriques de l'appareil, les filtres à air ou les filtres à eau. Les pièces consommables ne sont pas couvertes par la garantie.
3. Les réparations lorsque le gros appareil ménager est utilisé à des fins autres que l'usage unifamilial normal ou lorsque les instructions d'installation et/ou les instructions de l'opérateur ou de l'utilisateur fournies ne sont pas respectées.
4. Les dommages imputables à : accident, modification, usage impropre ou abusif, incendie, inondation, actes de Dieu, installation fautive ou installation non conforme aux codes d'électricité ou de plomberie, ou l'utilisation de pièces consommables ou de produits nettoyants non approuvés par Whirlpool.
5. Les défauts apparents, notamment les éraflures, les bosses, fissures ou tout autre dommage au fini du gros appareil ménager, à moins que ces dommages soient dus à des vices de matériaux ou de fabrication et soient signalés à Whirlpool dans les 30 jours suivant la date d'achat.
6. Toute perte d'aliments due à une défaillance du réfrigérateur ou du congélateur.
7. Les coûts associés au transport du gros appareil ménager du domicile pour réparation. Ce gros appareil ménager est conçu pour être réparé à domicile et seul le service à domicile est couvert par la présente garantie.
8. Les réparations aux pièces ou systèmes résultant d'une modification non autorisée faite à l'appareil.
9. Les frais de transport pour le service d'un produit si votre gros appareil est situé dans une région éloignée où un service d'entretien Whirlpool autorisé n'est pas disponible.
10. La dépose et la réinstallation de votre gros appareil si celui-ci est installé dans un endroit inaccessible ou n'est pas installé conformément aux instructions d'installation fournies.
11. Les gros appareils ménagers dont les numéros de série et de modèle originaux ont été enlevés, modifiés ou qui ne peuvent pas être facilement identifiés. La présente garantie est nulle si le numéro de série d'usine a été modifié ou enlevé du gros appareil ménager.

Le coût d'une réparation ou des pièces de rechange dans le cadre de ces circonstances exclues est à la charge du client.

CLAUSE D'EXONÉRATION DE RESPONSABILITÉ AU TITRE DES GARANTIES IMPLICITES; LIMITATION DES RECOURS

LE SEUL ET EXCLUSIF RECOURS DU CLIENT DANS LE CADRE DE LA PRÉSENTE GARANTIE LIMITÉE CONSISTE EN LA RÉPARATION PRÉVUE CI-DESSUS. LES GARANTIES IMPLICITES, Y COMPRIS LES GARANTIES APPLICABLES DE QUALITÉ MARCHANDE ET D'APTITUDE À UN USAGE PARTICULIER, SONT LIMITÉES À UN AN OU À LA PLUS COURTE PÉRIODE AUTORISÉE PAR LA LOI. WHIRLPOOL N'ASSUME AUCUNE RESPONSABILITÉ POUR LES DOMMAGES FORTUITS OU INDIRECTS. CERTAINES JURIDICTIONS NE PERMETTENT PAS L'EXCLUSION OU LA LIMITATION DES DOMMAGES FORTUITS OU INDIRECTS, OU LES LIMITATIONS DE LA DURÉE DES GARANTIES IMPLICITES DE QUALITÉ MARCHANDE OU D'APTITUDE À UN USAGE PARTICULIER, DE SORTE QUE CES EXCLUSIONS OU LIMITATIONS PEUVENT NE PAS S'APPLIQUER DANS VOTRE CAS. CETTE GARANTIE VOUS CONFÈRE DES DROITS JURIDIQUES SPÉCIFIQUES ET VOUS POUVEZ ÉGALEMENT JOUIR D'AUTRES DROITS QUI PEUVENT VARIER D'UNE JURIDICTION À UNE AUTRE.

Si vous résidez à l'extérieur du Canada et des 50 États des États-Unis, contactez votre marchand Whirlpool autorisé pour déterminer si une autre garantie s'applique.

Si vous avez besoin de service, voir d'abord la section "Dépannage" du Guide d'utilisation et d'entretien. Après avoir vérifié la section "Dépannage", de l'aide supplémentaire peut être trouvée en vérifiant la section "Assistance ou service" ou en appelant Whirlpool. Aux É.-U., composer le **1-800-253-1301**. Au Canada, composer le **1-800-807-6777**. 1/08

Conservez ce manuel et votre reçu de vente ensemble pour référence ultérieure. Pour le service sous garantie, vous devez présenter un document prouvant la date d'achat ou d'installation.

Inscrivez les renseignements suivants au sujet de votre gros appareil ménager pour mieux vous aider à obtenir assistance ou service en cas de besoin. Vous devrez connaître le numéro de modèle et le numéro de série au complet. Vous trouverez ces renseignements sur la plaque signalétique située sur le produit.

Nom du marchand _____

Adresse _____

Numéro de téléphone _____

Numéro de modèle _____

Numéro de série _____

Date d'achat _____

