



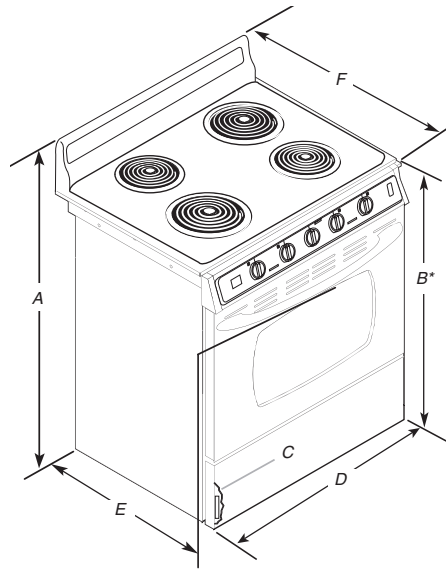
# 30" Freestanding Electric Range

## PRODUCT MODEL NUMBERS

RF301OXT

**Electrical:** This range is manufactured with the neutral terminal connected to the cabinet. Use a 3-wire, UL listed, 40 amp power supply cord (pigtail). If local codes do not permit ground through the neutral, use a 4-wire power supply cord rated at 250 volts, 40 amps and investigated for use with ranges. A time-delay fuse or circuit breaker is recommended. The model/serial rating plate is located on the oven frame behind the storage drawer panel.

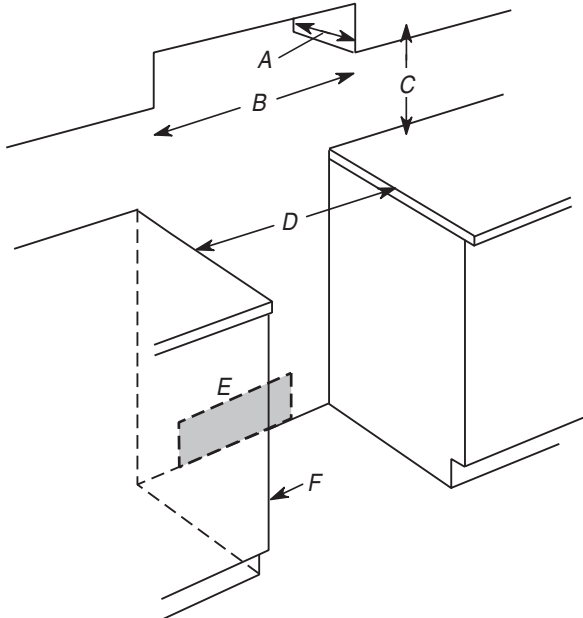
## OVERALL DIMENSIONS



- A. 40-1/2" (102.9 cm)
- B. 36" (91.4 cm) height to underside of cooktop edge with leveling legs screwed all the way in\*
- B\*. 29-7/8" (75.9 cm)
- C. Model/serial number plate (located behind the storage drawer on the left-hand side of the oven frame)
- D. 27-1/2" (69.9 cm) from handle to standoff at back of range
- E. 25" (63.5)

\*Range can be raised approximately 1" (2.5 cm) by adjusting the leveling legs.

## CABINET OPENING DIMENSIONS



- A. 13" (33 cm) max. upper cabinet depth
- B. 30" (76.2 cm) min. opening width
- C. For minimum clearance to top of cooktop, see NOTE\*
- D. 30" (76.2 cm) min. opening width
- E. Junction box - 5.5" (14 cm) min. from either cabinet, 10" (25.4 cm) max. from floor. Outlet must be flush. Nothing located in shaded area can extend more than 2" (5.1 cm) from wall or range will not slide all the way back.
- F. Cabinet door or hinge should not extend into cutout.

**\*NOTE:** 24" (61 cm) minimum when bottom of wood or metal cabinet is protected by not less than 1/4" (0.64 cm) flame retardant millboard covered with not less than No. 28 MSG sheet steel, 0.015" (0.4 mm) stainless steel, 0.024" (0.6 mm) aluminum or 0.020" (0.5 mm) copper.

30" (76.2 cm) minimum clearance between the top of the cooking platform and the bottom of an unprotected wood or metal cabinet.