

INSTALLATION INSTRUCTIONS 24" (61.0 CM) FREESTANDING GAS RANGES

INSTRUCTIONS D'INSTALLATION POUR CUISINIÈRES AU GAZ AUTOPORTANTES DE 24 PO (61,0 CM)

Table of Contents/Table des matières

RANGE SAFETY	1	SÉCURITÉ DE LA CUISINIÈRE	17
INSTALLATION REQUIREMENTS	3	EXIGENCES D'INSTALLATION	18
Tools and Parts.....	3	Outils et pièces.....	18
Location Requirements	3	Exigences d'emplacement.....	19
Electrical Requirements	5	Spécifications électriques	20
Gas Supply Requirements	5	Spécification de l'alimentation en gaz	21
INSTALLATION INSTRUCTIONS	7	INSTRUCTIONS D'INSTALLATION	22
Unpack Range.....	7	Déballage de la cuisinière	22
Backguard Assembly	7	Dossieret	22
Install Anti-Tip Bracket.....	8	Bride antibasculement	23
Make Gas Connection	8	Effectuer le raccordement au gaz.....	23
Verify Anti-Tip Bracket Is Installed and Engaged	9	Vérifier que la bride antibasculement est bien installée et engagée	24
Electronic Ignition System	10	Système d'allumage électronique.....	25
Broiler Oven Drawer.....	11	Tiroir du four avec brûleur	26
Complete Installation	11	Terminer l'installation.....	26
GAS CONVERSIONS	12	CONVERSIONS DE GAZ	27
Propane Gas Conversion.....	12	Conversion au gaz propane.....	27
Natural Gas Conversion	14	Conversion au gaz naturel	29

RANGE SAFETY

Your safety and the safety of others are very important.

We have provided many important safety messages in this manual and on your appliance. Always read and obey all safety messages.



This is the safety alert symbol.

This symbol alerts you to potential hazards that can kill or hurt you and others.

All safety messages will follow the safety alert symbol and either the word "DANGER" or "WARNING."

These words mean:

⚠ DANGER

You can be killed or seriously injured if you don't immediately follow instructions.

⚠ WARNING

You can be killed or seriously injured if you don't follow instructions.

All safety messages will tell you what the potential hazard is, tell you how to reduce the chance of injury, and tell you what can happen if the instructions are not followed.

IMPORTANT:

Save for local electrical inspector's use.

Installer: Leave installation instructions with the homeowner.

Homeowner: Keep installation instructions for future reference.

IMPORTANT:

Conserver ces instructions à l'usage de l'inspecteur des installations électriques local.

Installateur : Remettre les instructions d'installation au propriétaire.

Propriétaire : Conserver les instructions d'installation pour référence ultérieure.

WARNING: If the information in these instructions is not followed exactly, a fire or explosion may result causing property damage, personal injury or death.

- Do not store or use gasoline or other flammable vapors and liquids in the vicinity of this or any other appliance.
- **WHAT TO DO IF YOU SMELL GAS:**
 - Do not try to light any appliance.
 - Do not touch any electrical switch.
 - Do not use any phone in your building.
 - Immediately call your gas supplier from a neighbor's phone. Follow the gas supplier's instructions.
 - If you cannot reach your gas supplier, call the fire department.
- Installation and service must be performed by a qualified installer, service agency or the gas supplier.

WARNING: Gas leaks cannot always be detected by smell.

Gas suppliers recommend that you use a gas detector approved by UL or CSA.

For more information, contact your gas supplier.

If a gas leak is detected, follow the "What to do if you smell gas" instructions.

IMPORTANT: Do not install a ventilation system that blows air downward toward this gas cooking appliance. This type of ventilation system may cause ignition and combustion problems with this gas cooking appliance resulting in personal injury or unintended operation.

In the State of Massachusetts, the following installation instructions apply:

- Installations and repairs must be performed by a qualified or licensed contractor, plumber, or gasfitter qualified or licensed by the State of Massachusetts.
- Acceptable Shut-off Devices: Gas Cocks and Ball Valves installed for use shall be listed.
- A flexible gas connector, when used, must not exceed 4 feet (121.9 cm).

⚠ WARNING

Tip Over Hazard

A child or adult can tip the range and be killed.

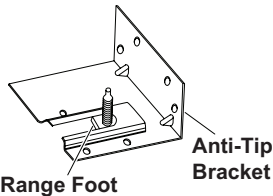
Install anti-tip bracket to floor or wall per installation instructions.

Slide range back so rear range foot is engaged in the slot of the anti-tip bracket.

Re-engage anti-tip bracket if range is moved.

Do not operate range without anti-tip bracket installed and engaged.

Failure to follow these instructions can result in death or serious burns to children and adults.



To verify the anti-tip bracket is installed and engaged:

- Slide range forward.
- Look for the anti-tip bracket securely attached to floor or wall.
- Slide range back so rear range foot is under anti-tip bracket.
- See installation instructions for details.

INSTALLATION REQUIREMENTS

Tools and Parts

Gather the required tools and parts before starting installation. Read and follow the instructions provided with any tools listed here.

Tools Needed

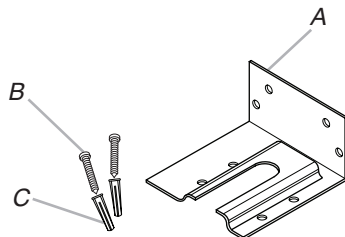
- Tape measure
- Flat-blade screwdriver
- Phillips screwdriver
- Level
- Hand or electric drill
- Wrench or pliers
- Pipe wrench
- $\frac{15}{16}$ " (2.4 cm) combination wrench
- $\frac{3}{8}$ " (1 cm) nut driver
- $\frac{1}{8}$ " (3.2 mm) drill bit (for wood floors)
- Marker or pencil
- Pipe-joint compound resistant to Propane gas
- Noncorrosive leak-detection solution

For Propane/Natural Gas Conversions

- $\frac{1}{2}$ " (1.3 cm) combination wrench
- $\frac{7}{8}$ " (2.2 cm) combination wrench
- Adjustable wrench
- $\frac{9}{32}$ " (7.0 mm) nut driver
- Quadrex[®]† or Phillips screwdriver
- Masking tape

Parts Supplied

Check that all parts are included.
LP Conversion Kit - W11190770



- A. Anti-tip bracket
- B. #12 x 1" (2.54 cm) screws (2)
- C. Plastic Anchors (2)

- Anti-tip bracket must be securely mounted to floor or wall. Thickness of flooring may require longer screws to anchor bracket to floor.

Parts needed

Check local codes and consult gas supplier. Check existing gas supply and electrical supply. See "Electrical Requirements" and "Gas Supply Requirements" sections.

Location Requirements

IMPORTANT: Observe all governing codes and ordinances. Do not obstruct flow of combustion and ventilation air.

- It is the installer's responsibility to comply with installation clearances specified on the model/serial rating plate. The model/serial rating plate is located under the broiler carriage. See the installation instructions on how to remove the broiler oven drawer.
- Recessed installations must provide complete enclosure of the sides and rear of the range.
- All openings in the wall or floor where range is to be installed must be sealed.
- Do not seal the range to the side cabinets.
- Cabinet opening dimensions that are shown must be used. Given dimensions are minimum clearances.
- The anti-tip bracket must be installed. To install the anti-tip bracket shipped with the range, see "Install Anti-Tip Bracket" section.
- Grounded electrical supply is required. See "Electrical Requirements" section.
- Proper gas supply connection must be available. See "Gas Supply Requirements" section.
- Contact a qualified floor covering installer to check that the floor covering can withstand at least 200°F (93°C).
- Use an insulated pad or $\frac{1}{4}$ " (6.4 mm) plywood under range if installing range over carpeting.

IMPORTANT: To avoid damage to your cabinets, check with your builder or cabinet supplier to make sure that the materials used will not discolor, delaminate or sustain other damage. This oven has been designed in accordance with the requirements of UL and CSA International and complies with the maximum allowable wood cabinet temperatures of 194°F (90°C).

†[®] QUADREX is a registered trademark of NLW Holdings, Inc.

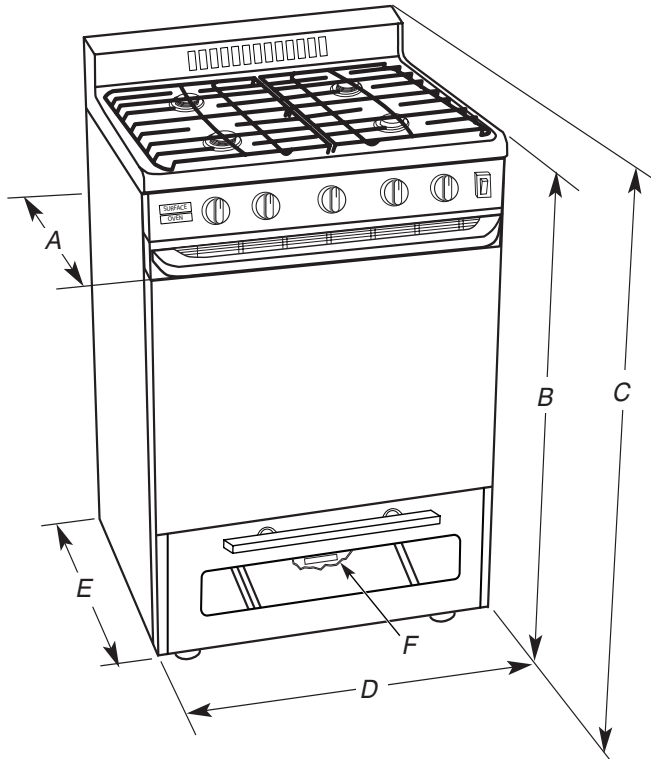
Mobile Home - Additional Installation Requirements

The installation of this range must conform to the Manufactured Home Construction and Safety Standard, Title 24 CFR, Part 3280 (formerly the Federal Standard for Mobile Home Construction and Safety, Title 24, HUD Part 280). When such standard is not applicable, use the Standard for Manufactured Home Installations, ANSI A225.1/NFPA 501A or with local codes.

Mobile home installations require:

- When this range is installed in a mobile home, it must be secured according to the instructions in this document.

Product Dimensions



- A. 28" (71.12 cm) max. depth with handle
- B. 37 ⁷/₈" (96.2 cm) cooktop height (max.) with leveling legs screwed all the way in*
- C. 36" (91.44 cm) overall height (max.) with leveling legs screwed all the way in*
- D. 24" (60.96 cm) width
- E. 25 ³/₈" (64.45 cm) depth. Back of range to front of cooktop**
- F. Model/serial rating plate (located beneath the broiler carriage)

IMPORTANT: Range must be level after installation. Follow the instructions in the "Level Range" section. Using the cooktop as a reference for leveling the range is not recommended.

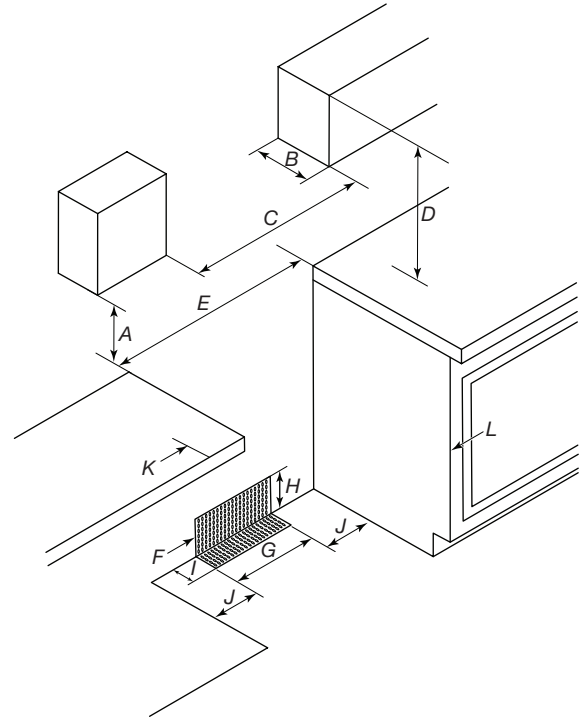
*Range can be raised approximately 3/4" (1.90 cm) by adjusting the leveling legs.

**Front of door and drawer may extend further forward, depending on styling.

Cabinet Dimensions

Cabinet opening dimensions shown are for 25" (64.0 cm) countertop depth, 24" (61.0 cm) base cabinet depth and 36" (91.4 cm) countertop height.

IMPORTANT: If installing a range hood or microwave hood combination above the cooking surface, follow the range hood or microwave hood combination installation instructions for dimensional clearances above the cooktop surface.



- A. 18" (45.7 cm) upper side cabinet to countertop
- B. 13" (33 cm) max. upper cabinet depth
- C. 24" (61 cm) min. opening width
- D. For minimum clearance to top of cooktop, see NOTE*.
- E. 24 ³/₁₆" (61.4 cm) min. opening width
- F. The shaded areas are recommended for installation of rigid gas pipe, flexible gas pipe and the electrical outlet.
- G. 16 ³/₄" (42.5 cm)
- H. 19" (48.3 cm)
- I. 4" (10.2 cm)
- J. 3 ⁵/₈" (9.2 cm)
- K. 5" (12.7 cm) min. clearance from both sides of range to side wall or other combustible material.
- L. Cabinet door or hinges should not extend into the cutout.

***NOTE:** 24" (61.0 cm) minimum when bottom of wood or metal cabinet is covered by not less than 1/4" (0.64 cm) flame retardant millboard covered with not less than No. 28 MSG sheet steel, 0.015" (0.4 mm) stainless steel, 0.024" (0.6 mm) aluminum or 0.020" (0.5 mm) copper.

30" (76.2 cm) minimum clearance between the top of the cooking platform and the bottom of an uncovered wood or metal cabinet.

Electrical Requirements

⚠ WARNING



Electrical Shock Hazard

- Plug into a grounded 3 prong outlet.**
- Do not remove ground prong.**
- Do not use an adapter.**
- Do not use an extension cord.**
- Failure to follow these instructions can result in death, fire, or electrical shock.**

IMPORTANT: The range must be electrically grounded in accordance with local codes and ordinances, or in the absence of local codes, with the National Electrical Code, ANSI/NFPA 70 or Canadian Electrical Code, CSA C22.1.

This range is equipped with an electronic ignition system that will not operate if plugged into an outlet that is not properly polarized.

If codes permit and a separate ground wire is used, it is recommended that a qualified electrical installer determine that the ground path is adequate.

A copy of the above code standards can be obtained from:

National Fire Protection Association
1 Batterymarch Park
Quincy, MA 02169-7471
CSA International
8501 East Pleasant Valley Road
Cleveland, OH 44131-5575

- A 120 volt, 60 Hz., AC only, 15-amp fused, electrical circuit is required. A time-delay fuse or circuit breaker is also recommended. It is recommended that a separate circuit serving only this range be provided.
- Electronic ignition systems operate within wide voltage limits, but proper grounding and polarity are necessary. Check that the outlet provides 120-volt power and is correctly grounded.
- This gas range is not required to be plugged into a GFCI (Ground-Fault Circuit Interrupter) outlet. It is recommended that you not plug an electric spark ignition gas range or any other major appliance into a GFCI wall outlet as it may cause the GFCI to trip during normal cycling.
- Performance of this range will not be affected if operated on a GFCI-protected circuit. However, occasional nuisance tripping of the GFCI breaker is possible due to the normal operating nature of electronic gas ranges.
- The wiring diagram is located on the back of the range.

Gas Supply Requirements

⚠ WARNING



Explosion Hazard

- Use a new CSA International approved gas supply line.**
- Install a shut-off valve.**
- Securely tighten all gas connections.**
- If connected to propane, have a qualified person make sure gas pressure does not exceed 14" (36 cm) water column.**
- Examples of a qualified person include:
licensed heating personnel,
authorized gas company personnel, and
authorized service personnel.**
- Failure to do so can result in death, explosion, or fire.**

Observe all governing codes and ordinances.

IMPORTANT: This installation must conform with all local codes and ordinances. In the absence of local codes, installation must conform with American National Standard, National Fuel Gas Code ANSI Z223.1 - latest edition or CAN/CGA B149 - latest edition.

IMPORTANT: Leak testing of the appliance shall be conducted according to the manufacturer's instructions.

Type of Gas

Natural Gas:

- This range is factory set for use with Natural gas. See "Gas Conversions" section. The model/serial rating plate located under the broiler carriage has information on the types of gas that can be used. If the types of gas listed do not include the type of gas available, check with the local gas supplier.

Propane Gas Conversion:

Conversion must be done by a qualified service technician. No attempt shall be made to convert the appliance from the gas specified on the model/serial rating plate for use with a different gas without consulting the local gas supplier. See "Gas Conversions" section.

Gas Supply Line

- Provide a gas supply line of 3/4" (1.9 cm) rigid pipe to the range location. A smaller size pipe on longer runs may result in insufficient gas supply. With Propane gas, piping or tubing size can be 1/2" (1.3 cm) minimum. Usually, Propane gas suppliers determine the size and materials used in the system.
NOTE: Pipe-joint compounds that resist the action of Propane gas must be used. Do not use TEFLON^{®†} tape.

†TEFLON is a registered trademark of Chemours.

Flexible metal appliance connector:

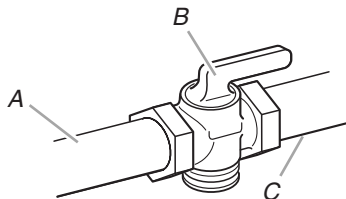
- If local codes permit, a new CSA design-certified, 4 to 5 ft (122 to 152.4 cm) long, 1/2" (1.3 cm) or 3/4" (1.9 cm) I.D. (inside diameter), flexible metal appliance connector may be used for connecting range to the gas supply line.



- A 1/2" (1.3 cm) male pipe thread is needed for connection to the female pipe threads of the inlet to the appliance pressure regulator.
- Do not kink or damage the flexible metal tubing when moving the range.

IMPORTANT: All connection must be wrench-tightened. Do not make connections to the gas regulator too tight. Making the connection too tight may crack the regulator and cause a gas leak. Do not allow the regulator to turn when tightening fittings.

- Must include a shutoff valve:
Install a manual gas line shut-off valve in an easily accessible location. Do not block access to shut-off valve. The valve is for turning on or shutting off gas to the range.



- A. Gas supply line
- B. Shutoff valve "open" position
- C. To range

Gas Pressure Regulator

The gas pressure regulator supplied with this range must be used. The inlet pressure to the regulator should be as follows for proper operation:

Natural Gas:

Minimum pressure: 6" (15.2 cm) WCP

Maximum pressure: 14" (35.5 cm) WCP

Propane Gas:

Minimum pressure: 11" (27.9 cm) WCP

Maximum pressure: 14" (35.5 cm) WCP

Contact local gas supplier if you are not sure about the inlet pressure.

Burner Input Requirements

Input ratings shown on the model/serial rating plate are for elevations up to 2,000 ft (609.6 m).

For elevations above 2,000 ft (609.6 m), ratings are reduced at a rate of 4% for each 1,000 ft (304.8 m) above sea level (not applicable for Canada).

Gas Supply Pressure Testing

Gas supply pressure for testing regulator must be at least 1" (2.5 cm) water column pressure above the manifold pressure shown on the model/serial rating plate.

Line pressure testing above 1/2 psi (3.5 kPa) gauge 14" (35.5 cm) WCP

The range and its individual shutoff valve must be disconnected from the gas supply piping system during any pressure testing of that system at test pressures in excess of 1/2 psi (3.5 kPa).

Line pressure testing at 1/2 psi (3.5 kPa) gauge 14" (35.5 cm) WCP or lower

The range must be isolated from the gas supply piping system by closing its individual manual shutoff valve during any pressure testing of the gas supply piping system at test pressures equal to or less than 1/2 psi (3.5 kPa).

INSTALLATION INSTRUCTIONS

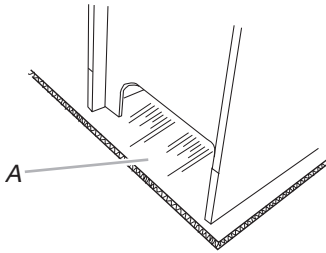
Unpack Range

⚠ WARNING

Excessive Weight Hazard

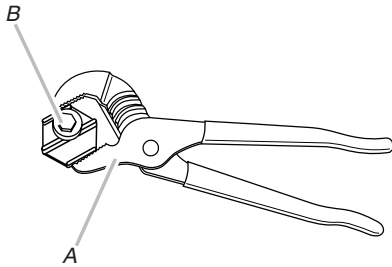
**Use two or more people to move and install range.
Failure to do so can result in back or other injury.**

1. Remove shipping materials, tape and film from range.
2. Remove oven racks and parts package from inside oven and on top of range.
3. Do not remove the shipping base at this time.



A. Shipping base

Remove the storage drawer. See the "Storage Drawer" section. Use a wrench or pliers to lower front leveling legs one-half turn.



A. Wrench or pliers
B. Front leveling leg

Backguard Assembly

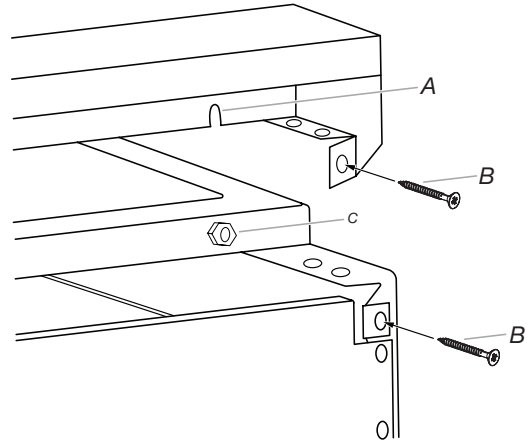
Tools Required:

Phillips Screwdriver

Parts Supplied:

(2) Assembly Screws# IOA x
1/2 Phillips Pan Hd Screw

1. Lower Backguard down while guiding the Backguard slots down between the range top and the locking nuts.
2. Use the two assembly screws to attach the back corners of the Backguard to the side panels.



A. Backguard slot
B. Assembly screw
C. Locking nut

Install Anti-Tip Bracket

⚠️ WARNING



Tip Over Hazard

A child or adult can tip the range and be killed.

Install anti-tip bracket to floor or wall per installation instructions.

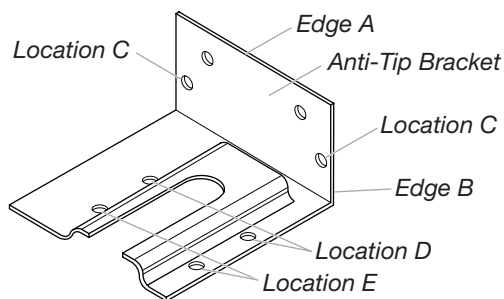
Slide range back so rear range foot is engaged in the slot of the anti-tip bracket.

Re-engage anti-tip bracket if range is moved.

Do not operate range without anti-tip bracket installed and engaged.

Failure to follow these instructions can result in death or serious burns to children and adults.

1. Remove the anti-tip bracket from inside the literature bag assembly located in the oven.
2. Determine which mounting method to use: floor or wall. If you have a stone or masonry floor, you can use the wall mounting method. If you are installing the range in a mobile home, you must secure the range to the floor.
3. It is necessary to determine the final location of the range before you can locate the anti-tip bracket. If the range is going to be located between cabinets, place the bracket so that Edge A sits flat against the rear wall. Edge B should just touch the side of the cabinet sitting to the right side of the range.



If there are no adjacent cabinets, align Edge B of the bracket with the edge of the range side. After the bracket has been placed mark the hole locations with a marker.

4. The anti-tip bracket can be attached to the floor or the wall. For wall mount application use Location C. When using location C, the screws must penetrate the wall sill plate located within the wall. For floor mount application use Location D or E. One screw on each side of the bracket is sufficient.
5. To mount anchor bracket to concrete or ceramic floor, use a drill with a 3/16" masonry bit to drill the two holes. Tap plastic anchor into mounting holes in floor with hammer. Line up holes in anti-tip bracket to holes in floor. Use the two screws provided to fasten anti-tip bracket to floor.

6. Unscrew the rear leg levelers approximately 1/2" so that the rear leg levelers will slide in under the anti-tip bracket. Slide range into the final position after completing the gas and electrical connections to the range.

Make Gas Connection

⚠️ WARNING



Explosion Hazard

Use a new CSA International approved gas supply line.

Install a shut-off valve.

Securely tighten all gas connections.

If connected to propane, have a qualified person make sure gas pressure does not exceed 14" (36 cm) water column.

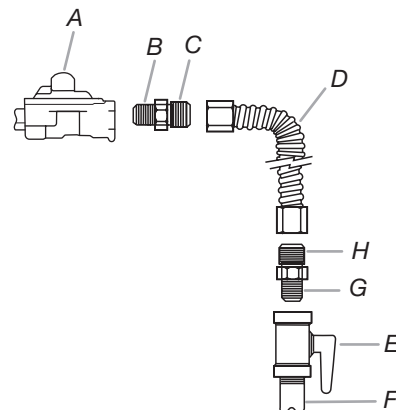
Examples of a qualified person include:

**licensed heating personnel,
authorized gas company personnel, and
authorized service personnel.**

Failure to do so can result in death, explosion, or fire.

Typical flexible connection

1. Apply pipe-joint compound made for use with Propane gas to the smaller thread ends of the flexible connector adapters (see B and G in the following illustration).
2. Attach one adapter to the gas pressure regulator and the other adapter to the gas shutoff valve. Tighten both adapters.
3. Use a 15/16" (2.4 cm) combination wrench and adjustable wrench to attach the flexible connector to the adapters. Check that connector is not kinked.



A. Gas pressure regulator

B. Use pipe-joint compound.

C. Adapter (must have 1/2" [1.2 cm] male pipe thread)

D. Flexible connector

E. Manual gas shutoff valve

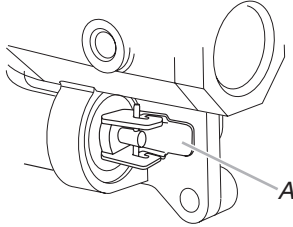
F. 1/2" (1.2 cm) or 3/4" (1.9 cm) gas pipe

G. Use pipe-joint compound.

H. Adapter

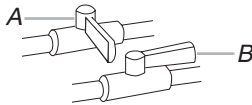
Complete Connection

1. Check that the gas pressure regulator shutoff valve is in the "on" position.



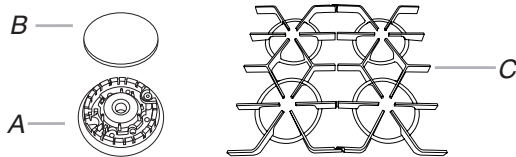
A. Gas pressure regulator shutoff valve shown in the "on" position

2. Open the manual shutoff valve in the gas supply line. The valve is open when the handle is parallel to the gas pipe.



A. Closed valve
B. Open valve

3. Test all connections by brushing on an approved noncorrosive leak-detection solution. If bubbles appear, a leak is indicated. Correct any leak found.
4. Remove cooktop burner caps and grates from parts package. Burner caps should be level when properly positioned. If burner caps are not properly positioned, surface burners will not light. Place burner grates over burners and caps.



A. Burner base
B. Burner cap
C. Burner grate

⚠ WARNING



Electrical Shock Hazard

Plug into a grounded 3 prong outlet.

Do not remove ground prong.

Do not use an adapter.

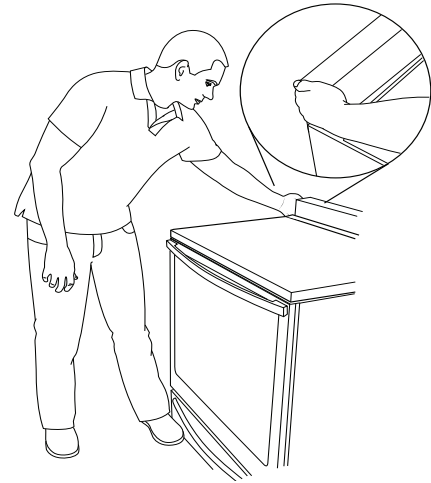
Do not use an extension cord.

Failure to follow these instructions can result in death, fire, or electrical shock.

5. Plug into a grounded 3 prong outlet.
6. Slide range into final location, making sure the rear leveling leg slides into the slot of the anti-tip bracket.

Verify Anti-Tip Bracket Is Installed and Engaged

1. Place the outside of your foot against the bottom front of the drawer, and grasp the lower right or left side of the backguard as shown.
NOTE: If your countertop is mounted with a backsplash, it may be necessary to grasp the range higher than is shown in the illustration.



2. Slowly attempt to tilt the range forward. If you encounter immediate resistance, the range foot is engaged in the anti-tip bracket.
3. If the rear of the range lifts more than 1/2" (1.3 cm) off the floor without resistance, stop tilting the range and lower it gently back to the floor. The range foot is not engaged in the anti-tip bracket.

IMPORTANT: If there is a snapping or popping sound when lifting the range, the range may not be fully engaged in the bracket. Check to see if there are obstructions keeping the range from sliding to the wall or keeping the range foot from sliding into the bracket. Verify that the bracket is held securely in place by the mounting screws.

4. Slide the range forward, and verify that the anti-tip bracket is securely attached to the floor or wall.
5. Slide range back so the rear range foot is inserted into the slot of the anti-tip bracket.

IMPORTANT: If the back of the range is more than 2" (5.1 cm) from the mounting wall, the rear range foot may not engage the bracket. Slide the range forward and determine if there is an obstruction between the range and the mounting wall. Changes to the gas supply must be performed by a qualified service technician. If you need assistance or service, refer to the "Assistance or Service" section of the Use and Care Guide, or the cover or "Warranty" section of the User Instructions, for contact information.

- Repeat steps 1 and 2 to ensure that the range foot is engaged in the anti-tip bracket.

If the rear of the range lifts more than 1/2" (1.3 cm) off the floor without resistance, the anti-tip bracket may not be installed correctly. Do not operate the range without anti-tip bracket installed and engaged. Please reference the "Assistance or Service" section of the Use and Care Guide, or the cover or "Warranty" section of the User Instructions, to contact service.

Electronic Ignition System

Initial lighting and gas flame adjustments

Cooktop and oven burners use electronic igniters in place of standing pilots. When the cooktop control knob is turned to the "LIGHT" position, the system creates a spark to light the burner.

This sparking continues until the control knob is turned to the desired setting. When the oven control is turned to the desired setting, a hot surface igniter heats to a bright orange and ignites the gas. No sparking occurs. The glow bar remains on while the burner operates.

Check Operation of Cooktop Burners

Standard Surface Burners

Push in and turn each control knob to the "LIGHT" position. The flame should light within 4 seconds. The first time a burner is lit, it may take longer than 4 seconds to light because of air in the gas line.

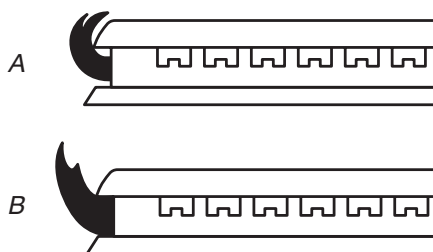
If burners do not light properly:

- Turn cooktop control knob to the "OFF" position.
- Check that the range is plugged in. Check that the circuit breaker has not tripped or the household fuse has not blown.
- Check that the gas shutoff valves are set to the "open" position.
- Check that burner caps are properly positioned on burner bases.

Repeat start-up. If a burner does not light at this point, turn the control knobs to the "OFF" position and contact your dealer or authorized service company for assistance.

Adjust Flame Height

Adjust the height of top burner flames. The cooktop "low" burner flame should be a steady blue flame approximately 1/4" (6.4 mm) high.

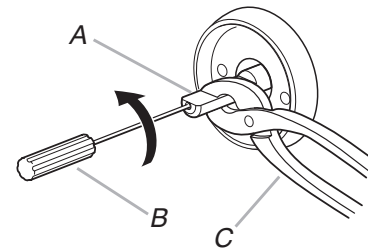


A. Low flame
B. High flame

To adjust standard burner:

The flame can be adjusted using the adjustment screw in the center of the valve stem. The valve stem is located directly underneath the control knob.

If the "low" flame needs to be adjusted:



A. Control knob stem
B. Screwdriver
C. Pliers

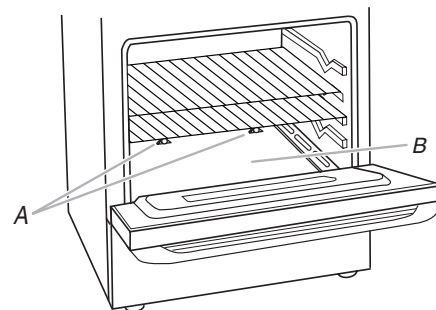
- Light 1 burner and turn to lowest setting.
- Remove the control knob.

Hold the knob stem with a pair of pliers. Use a small flatblade screwdriver to turn the screw located in the center of the control knob stem until the flame is the proper size.

- Replace the control knob.
- Test the flame by turning the control from "LO" to "HI," checking the flame at each setting.
- Repeat the previous steps for each burner.

Check Operation of Oven Bake Burner

- Remove the oven rack.
- To remove the oven bottom: Lift up on the oven bottom to remove tabs from rear of oven. Lift the rear of the oven bottom up and back until the front of the panel is away from the front frame. Remove from oven and place on a covered surface.



A. Tabs
B. Oven bottom

- You can check the burner flame by removing the flame spreader.

Remove flame spreader:

Remove nuts. Lift front of the flame spreader and pull forward to remove tabs from rear of oven.

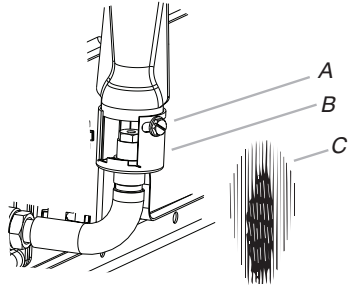
- Turn the oven control dial counterclockwise to any cooking temperature.

The oven bake burner should light within 8 seconds. Under certain conditions, it may take the burner up to 50 to 60 seconds to light.

Refer to the Use and Care Guide or User Instructions for proper operation of the oven controls.

Adjust Oven Bake Burner Flame (if needed)

1. Check the oven bake burner for proper flame.
This flame should have a $\frac{1}{2}$ " (1.3 cm) long inner cone of bluish-green, with an outer mantle of dark blue, and should be clean and soft in character. No yellow tips, blowing or lifting of flame should occur.
2. If the oven bake flame needs to be adjusted, locate the air shutter near the center rear of the range. Loosen the locking screw and rotate the air shutter until the proper flame appears. Tighten locking screw.



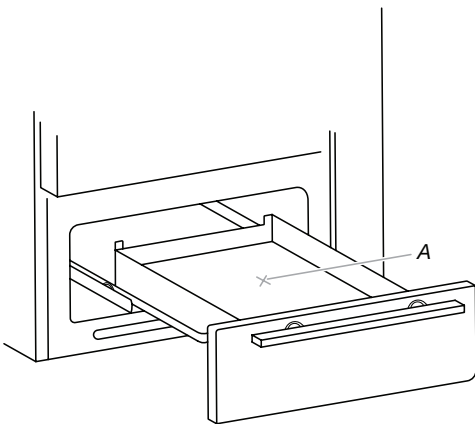
A. Locking screw
B. Air shutter
C. Flame

3. Turn thermostat OFF when finished.
4. Reinstall flame spreader and oven bake burner cover.

Broiler Oven Drawer

The broiler oven drawer can be removed for easier Cleaning. To remove:

1. Pull drawer out to the stop position.
2. Push up under the center of the drawer while pulling the drawer out to allow the drawer stop to clear the range front frame.



A. Drawer stop notch

3. Drawer will slide out free of range.

NOTE : Do not use steel wool pads, commercial oven cleaner, silicone oven sprays, coarse pads or coarse brushes on the storage drawer.

Complete Installation

1. Check that all parts are now installed. If there is an extra part, go back through the steps to see which step was skipped.
2. Check that you have all of your tools.
3. Dispose of/recycle all packaging materials.
4. Check that the range is level. See the "Level Range" section.
5. Use a mild solution of liquid household cleaner and warm water to remove waxy residue caused by shipping material. Dry thoroughly with a soft cloth. For more information, see the "Range Care" section of the Use and Care Guide or User Instructions.
6. Read the Use and Care Guide or User Instructions.
7. Turn on surface burners and oven. See the Use and Care Guide or User Instructions for specific instruction on range operation.

If range does not operate, check the following:

- Household fuse is intact and tight, or circuit breaker has not tripped.
 - Range is plugged into a grounded 3 prong outlet.
 - Electrical supply is connected.
 - See "Troubleshooting" in the Use and Care Guide or User Instructions.
8. When the range has been on for 5 minutes, check for heat. If the range is cold, turn off the range and check that the gas supply line shutoff valve is open. See "Troubleshooting" in the Use and Care Guide or User Instructions.
 - If the gas supply line shutoff valve is closed, open it, then repeat the 5-minute test as outlined above.
 - If the gas supply line shutoff valve is open, turn knob to OFF position. See "Troubleshooting" in the Use and Care Guide or User Instructions.

If you need Assistance or Service:

Please reference the "Assistance or Service" section of the Use and Care Guide or the cover of the User Instructions, or contact the dealer from whom you purchased your range.

GAS CONVERSIONS

Gas conversions from Natural gas to Propane gas or from Propane gas to Natural gas must be done by a qualified installer.

⚠️ WARNING



Explosion Hazard

Use a new CSA International approved gas supply line.

Install a shut-off valve.

Securely tighten all gas connections.

If connected to propane, have a qualified person make sure gas pressure does not exceed 14" (36 cm) water column.

Examples of a qualified person include:

licensed heating personnel,
authorized gas company personnel, and
authorized service personnel.

Failure to do so can result in death, explosion, or fire.

Propane Gas Conversion

⚠️ WARNING



Tip Over Hazard

A child or adult can tip the range and be killed.

Install anti-tip bracket to floor or wall per installation instructions.

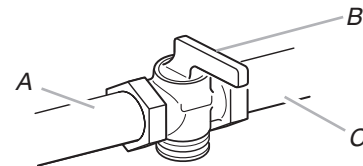
Slide range back so rear range foot is engaged in the slot of the anti-tip bracket.

Re-engage anti-tip bracket if range is moved.

Do not operate range without anti-tip bracket installed and engaged.

Failure to follow these instructions can result in death or serious burns to children and adults.

1. Turn the manual shutoff valve to the closed position.



A. To range

B. Manual shutoff valve "closed" position

C. Gas supply line

2. Unplug range or disconnect power.

To Convert Gas Pressure Regulator (Natural Gas to Propane Gas)

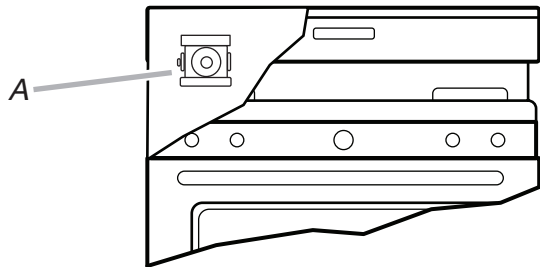
! WARNING

Excessive Weight Hazard

Use two or more people to move and install range.

Failure to do so can result in back or other injury.

1. Move the range to be able to work on the back of the unit.
2. Locate gas pressure regulator at top right corner of the back of unit.



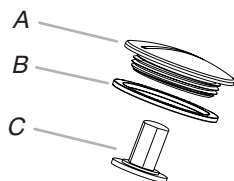
A. Gas pressure regulator

IMPORTANT: Do not remove the gas pressure regulator.

3. Remove the cap from the gas pressure regulator using a 7/8" (2.2 cm) wrench.

NOTE: Be sure sealing washer remains in the same position.

NOTE: Do not remove the spring beneath the cap.



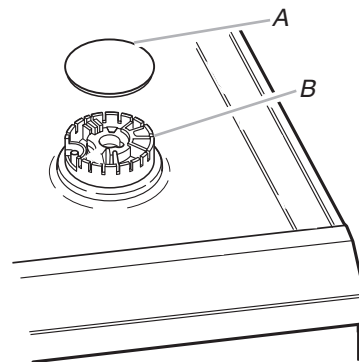
A. Cap
B. Sealing washer
C. Pin

4. To convert to propane gas, turn over the pin and place it back on the cap.
5. Reinstall the cap.

To Convert Surface Burners (Natural Gas to Propane Gas)

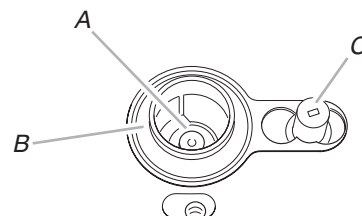
1. Remove burner cap.

2. Remove burner base.



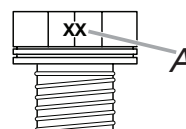
A. Burner cap
B. Burner base

3. Apply masking tape to the end of a 9/32" (7 mm) nut driver to help hold the gas orifice spud in the nut driver while changing it. Press nut driver down onto the gas orifice spud and remove by turning it counterclockwise and lifting out. Set gas orifice spud aside.



A. Orifice spud
B. Orifice spud holder
C. Spark electrode

4. Remove the cardboard orifice spud holder shipped in the literature package in the oven. Gas orifice spuds are stamped with a number. Replace the Natural gas orifice spud with the correct Propane gas orifice spud.



A. Stamped number

Refer to the following chart for correct Propane gas orifice spud placement.

Propane Gas Orifice Spud Chart for Surface Burner

Burner Rating	Size
14,000 BTU	1.10 mm
5,000 BTU	0.67 mm
8,000 BTU	0.83 mm
11,000 BTU	0.98 mm

NOTE: Refer to the Model Number and Serial Number Plate located under the broiler carriage for proper sizing of spuds for each burner location.

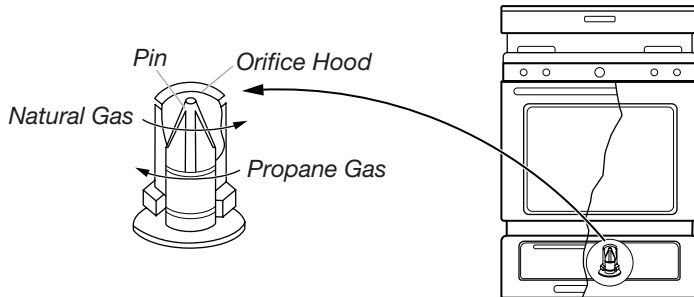
5. Place Natural gas orifice spuds in the cardboard orifice spud holder.
6. Replace the burner base.

7. Replace burner cap.
8. Repeat steps 1-7 for the remaining burners.

To Convert Oven Bake Burner (Natural Gas to Propane Gas)

1. Remove the oven racks.
2. The oven burner orifice is located beneath the in-let to the oven burner at the lower rear portion of the broiler section. Using a 1/2" wrench turn the orifice hood clockwise to fasten the hood on the orifice pin about two complete turns.

NOTE: Do not over-tighten the orifice hood.



Complete Installation (Natural Gas to Propane Gas)

1. Refer to the "Make Gas Connection" section for properly connecting the range to the gas supply.
IMPORTANT: You may have to adjust the "LO" setting for each cooktop burner.
Checking for proper cooktop, bake and broil burner flame is very important. The small inner cone should have a very distinct blue flame 1/4" (0.64 cm) to 1/2" (1.3 cm) long. The outer cone is not as distinct as the inner cone. Propane gas flames have a slightly yellow tip.
2. Refer to "Complete Installation" in the "Installation Instructions" section of this manual to complete this procedure.
NOTE: Save the orifices removed from the appliance for future use.
3. After the above conversion has been completed, check operation of cooktop and oven burner. Make air shutter adjustments in oven if necessary.

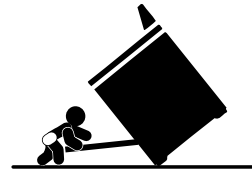
Adjust Air Shutters

The air shutter adjustment for the oven burner is located at the open end of the oven burner venture tube and sits on the hood of the oven burner valve. To adjust air shutter:

1. Loosen the screw on the air shutter.
2. Move the air shutter closed to decrease or open to increase the amount of air to the flame.
3. When the flame is properly adjusted, tighten the screw.
NOTE: The burner flame should be a steady blue. A burner with a yellow flame, un-steady flame, or a partial flame is in need of an air shutter adjustment.

Natural Gas Conversion

⚠ WARNING



Tip Over Hazard

A child or adult can tip the range and be killed.

Install anti-tip bracket to floor or wall per installation instructions.

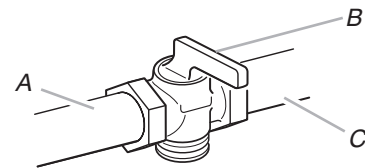
Slide range back so rear range foot is engaged in the slot of the anti-tip bracket.

Re-engage anti-tip bracket if range is moved.

Do not operate range without anti-tip bracket installed and engaged.

Failure to follow these instructions can result in death or serious burns to children and adults.

1. Turn the manual shutoff valve to the closed position.



- A. To range
- B. Manual shutoff valve "closed" position
- C. Gas supply line

2. Unplug range or disconnect power.

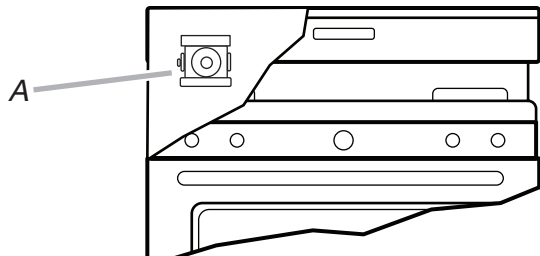
To Convert Gas Pressure Regulator (Propane Gas to Natural Gas)

⚠ WARNING

Excessive Weight Hazard

**Use two or more people to move and install range.
Failure to do so can result in back or other injury.**

1. Move the range to be able to work on the back of the unit.
2. Locate gas pressure regulator at the top right corner of the back of unit.



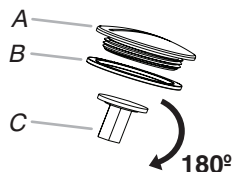
A. Gas pressure regulator

IMPORTANT: Do not remove the gas pressure regulator.

3. Remove the cap from the gas pressure regulator using a 7/8" (2.2 cm) wrench.

NOTE: Be sure sealing washer remains in the same position.

NOTE: Do not remove the spring beneath the cap.

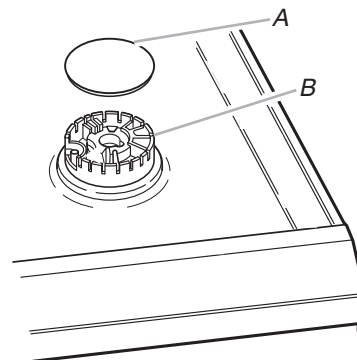


A. Cap
B. Sealing washer
C. Pin

4. To convert to propane gas, turn over the pin and place it back on the cap.
5. Reinstall the cap.

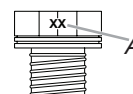
To Convert Surface Burners (Propane Gas to Natural Gas)

1. Remove burner cap.
2. Remove burner base.



A. Burner cap
B. Burner base

3. Gas orifice spuds are stamped with a number on the side. Replace the Propane gas orifice spud with the correct Natural gas orifice spud.



A. Stamped number

Refer to the following chart for the correct Natural gas orifice spud placement.

Natural Gas Orifice Spud Chart

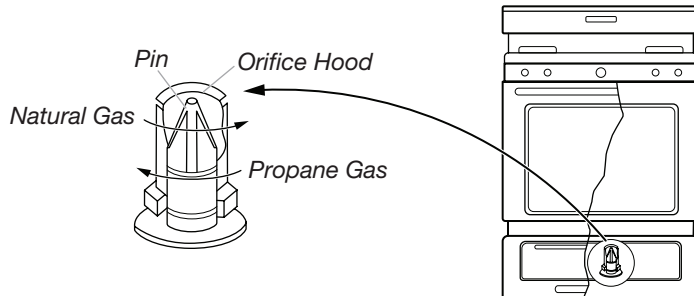
Burner Rating	Size
15,000 BTU	1.80 mm
6,000 BTU	1.12 mm
9,100 BTU	1.35 mm
12,000 BTU	1.60 mm

NOTE: Refer to the Model Number and Serial Number Plate located under the broiler carriage for proper sizing of spuds for each burner location.

4. Place Propane gas orifice spuds in plastic parts bag for future use and keep with package containing literature.
5. Replace the burner.
6. Replace burner cap.
7. Repeat steps 1-7 for the remaining burners.

To Convert Oven Bake Burner (Propane Gas to Natural Gas)

1. Remove the oven racks.
2. The oven burner orifice is located beneath the in-let to the oven burner at the lower rear portion of the broiler section. Using a 1/2" wrench turn the orifice hood counter-clockwise to fasten the hood off the orifice pin about two complete turns.



NOTE: Do not over-tighten the orifice hood.

Complete Installation (Propane Gas to Natural Gas)

1. Refer to the "Make Gas Connection" section for properly connecting the range to the gas supply.
IMPORTANT: You may have to adjust the "LO" setting for each cooktop burner.
Checking for proper cooktop and oven burner flame is very important. Natural gas flames do not have yellow tips.
2. Refer to "Complete Installation" in the "Installation Instructions" section of this manual to complete this procedure.
NOTE: Save the orifices removed from the appliance for future use.
3. After the above conversion has been completed, check operation of cooktop and oven burner. Make air shutter adjustments in oven if necessary.

Adjust Air Shutters

The air shutter adjustment for the oven burner is located at the open end of the oven burner venture tube and sits on the hood of the oven burner valve. To adjust air shutter:

1. Loosen the screw on the air shutter.
2. Move the air shutter closed to decrease or open to increase the amount of air to the flame.
3. When the flame is properly adjusted, tighten the screw.
NOTE: The burner flame should be a steady blue. A burner with a yellow flame, un-steady flame, or a partial flame is in need of an air shutter adjustment.

NOTE

SÉCURITÉ DE LA CUISINIÈRE

Votre sécurité et celle des autres est très importante.

Nous donnons de nombreux messages de sécurité importants dans ce manuel et sur votre appareil ménager. Assurez-vous de toujours lire tous les messages de sécurité et de vous y conformer.



Voici le symbole d'alerte de sécurité.

Ce symbole d'alerte de sécurité vous signale les dangers potentiels de décès et de blessures graves à vous et à d'autres.

Tous les messages de sécurité suivront le symbole d'alerte de sécurité et le mot "DANGER" ou "AVERTISSEMENT". Ces mots signifient :

⚠ DANGER

Risque possible de décès ou de blessure grave si vous ne suivez pas immédiatement les instructions.

⚠ AVERTISSEMENT

Risque possible de décès ou de blessure grave si vous ne suivez pas les instructions.

Tous les messages de sécurité vous diront quel est le danger potentiel et vous disent comment réduire le risque de blessure et ce qui peut se produire en cas de non-respect des instructions.

AVERTISSEMENT : Le non-respect à la lettre de ces instructions peut causer un incendie ou une explosion, qui pourrait entraîner des dommages matériels, des blessures ou la mort.

- Ne pas entreposer ou utiliser d'essence ou tout autre liquide ou gaz inflammable à proximité de cet appareil ou de tout autre appareil.
- EN PRÉSENCE D'UNE ODEUR DE GAZ:
 - Ne tenter d'allumer aucun appareil;
 - Ne toucher à aucun commutateur électrique;
 - N'utiliser aucun téléphone dans l'immeuble;
 - Appeler immédiatement le fournisseur de gaz à partir d'un téléphone situé à l'extérieur de l'immeuble; Suivre les instructions du fournisseur de gaz;
 - S'il est impossible de joindre le fournisseur de gaz, appeler le service des incendies.
- L'installation et la réparation doivent être effectuées par un installateur ou une agence de réparation ayant les qualifications requises ou par le fournisseur de gaz.

AVERTISSEMENT : L'odorat ne permet pas toujours la détection d'une fuite de gaz.

Les distributeurs de gaz recommandent l'emploi d'un détecteur de gaz (homologation UL ou CSA).

Pour d'autres informations, contacter le fournisseur de gaz local.

En cas de détection d'une fuite de gaz, exécuter les instructions "Que faire dans le cas d'une odeur de gaz".

IMPORTANT : Ne pas installer un système de ventilation avec évacuation de l'air vers le bas, qui évacuerait l'air vers cet appareil de cuisson à gaz. Ce type de système de ventilation peut causer des problèmes d'allumage et de combustion avec cet appareil de cuisson à gaz et entraîner des blessures corporelles ou le fonctionnement non désiré de cet appareil.

Dans l'État du Massachusetts, les instructions d'installation suivantes sont applicables :

- Les travaux d'installation et réparation doivent être exécutés par un plombier ou tuyauteur qualifié ou licencié, ou par le personnel qualifié d'une entreprise licenciée par l'État du Massachusetts.
- Remplacer par des dispositifs de fermeture acceptables : Les robinets de gaz et robinets à bille installés pour l'utilisation devraient être indiqués.
- Si un conduit de raccordement flexible est utilisé, sa longueur ne doit pas dépasser 4 pi (121,9 cm).

⚠ AVERTISSEMENT

Risque de basculement

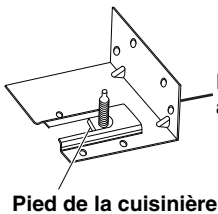
Un enfant ou une personne adulte peut faire basculer la cuisinière, ce qui peut causer un décès.

Vérifier que la bride antibasculement est bien installée et engagée, conformément aux instructions d'installation.

Réengager la bride antibasculement si la cuisinière a été déplacée.

Ne pas faire fonctionner la cuisinière si la bride antibasculement n'est pas installée et engagée.

Le non-respect de ces instructions peut causer un décès ou des brûlures graves aux enfants et aux adultes.



Bride antibasculement

Pied de la cuisinière

Pour vérifier que la bride antibasculement est bien installée et engagée :

- Faire glisser la cuisinière vers l'avant.
- Vérifier que la bride antibasculement est bien fixée au plancher ou au mur.
- Faire de nouveau glisser la cuisinière vers l'arrière de sorte que le pied de la cuisinière se trouve sous la bride antibasculement.
- Voir les instructions d'installation pour plus de détails.

EXIGENCES D'INSTALLATION

Outils et pièces

Rassembler les outils et pièces nécessaires avant d'entreprendre l'installation. Lire et observer les instructions fournies avec chacun des outils de la liste ci-dessous.

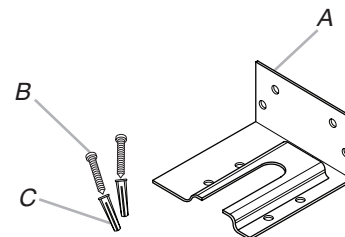
Outils nécessaires

- Ruban à mesurer
 - Tournevis à lame plate
 - Tournevis cruciforme
 - Niveau
 - Perceuse manuelle ou électrique
 - Clé ou pince
 - Clé à tuyauterie
 - Clé combinée de $15/16$ po (2,4 cm)
 - Tourne-écrou de $3/8$ po (1 cm)
 - Foret de $1/8$ po (3,2 mm) (pour les planchers de bois)
 - Marqueur ou crayon
 - Composé d'étanchéité des raccords filetés – résistant au gaz propane
 - Solution non corrosive de détection des fuites
- Pour les conversions gaz propane/naturel**
- Clé combinée de $1/2$ po (1,3 cm)
 - Clé mixte de $7/8$ po (2,2 cm)
 - Clé à molette
 - Tourne-écrou de $3/32$ po (7,0 mm)
 - Tournevis cruciforme ou Quadrex®†
 - Ruban adhésif de masquage

Pièces fournies

Vérifier que toutes les pièces sont présentes.

Trousse de conversion pour l'alimentation au propane – W11190770



A. Bride antibasculement
B. (2) vis no 12 x 1 po (2,54 cm)
C. (2) chevilles en plastique

- La bride antibasculement doit être solidement fixée à la cloison arrière ou au plancher. La profondeur du plancher peut nécessiter des vis plus longues pour l'ancrage de la bride dans le sous-plancher.

Pièces nécessaires

Vérifier les codes locaux et consulter le fournisseur de gaz. Vérifier l'alimentation en gaz et l'alimentation électrique existantes. Voir les sections "Spécifications électriques" et "Spécifications de l'alimentation en gaz".

Exigences d'emplacement

IMPORTANT : Observer les dispositions de tous les codes et règlements en vigueur. Ne pas obstruer le flux de combustion et de ventilation.

- C'est à l'installateur qu'incombe la responsabilité de respecter les distances de séparation spécifiées sur la plaque signalétique. La plaque signalétique est située sous le support de brûleur. Consulter les instructions d'installation pour savoir comment enlever le tiroir du four avec brûleur.
- Dans le cas d'une cuisinière encastrée, l'enceinte doit recouvrir complètement les côtés et l'arrière de la cuisinière.
- Toutes les ouvertures dans le mur ou le plancher de l'emplacement d'installation de la cuisinière doivent être scellées.
- Ne pas réaliser de scellement entre la cuisinière et les armoires latérales.
- Respecter les dimensions indiquées pour les ouvertures à découper dans les meubles. Ces dimensions constituent les valeurs minimales des dégagements.
- La bride antibasculement doit être installée. Pour l'installation de la bride antibasculement fournie avec la cuisinière, voir la section "Installation de la bride antibasculement".
- Une source d'électricité avec liaison à la terre est nécessaire. Voir la section "Spécifications électriques".
- Un raccordement adéquat à l'alimentation en gaz doit être disponible. Voir la section "Spécifications de l'alimentation en gaz".
- Contacter un installateur de revêtement de sol qualifié, qui pourra déterminer si le revêtement de sol peut résister à une température d'au moins 200 °F (93 °C).
- Dans le cas de l'installation de la cuisinière sur une moquette, placer sous la cuisinière un tapis isolant ou une plaque de contreplaqué de 1/4 po (6,4 mm).

IMPORTANT : Pour éviter d'endommager vos armoires, vérifier avec le fabricant ou le fournisseur d'armoires pour s'assurer que les matériaux utilisés ne décoloreront et ne délaminent pas ou ne subiront pas d'autres dommages. Ce four a été conçu conformément aux exigences des normes UL et CSA International et respecte les températures maximales permises de 194 °F (90 °C) pour les armoires en bois.

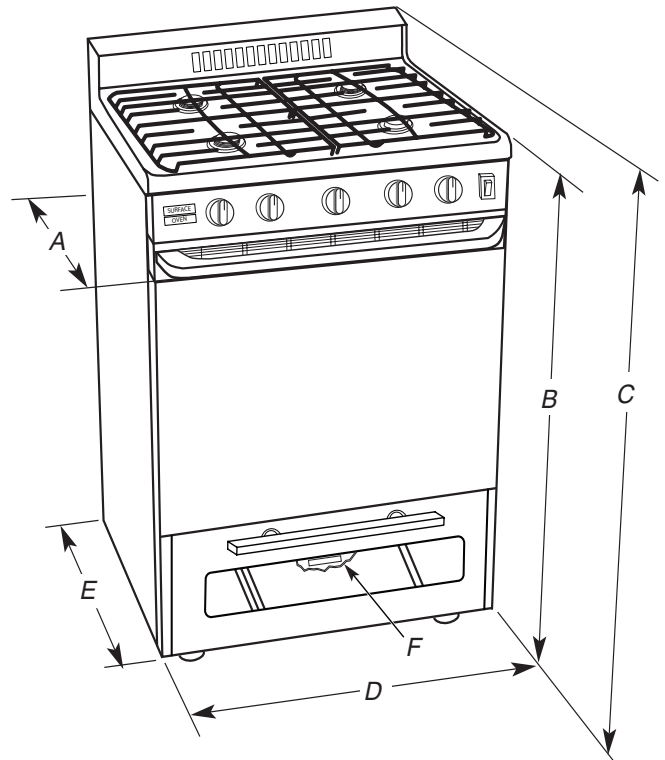
Résidence mobile – Spécifications additionnelles à respecter lors de l'installation

L'installation de cette cuisinière doit s'effectuer conformément à la norme Manufactured Home Construction Safety Standards, Title 24 CFR, Part 3280 (anciennement Federal Standard for Mobile Home Construction and Safety, title 24, HUD, Part 280). Lorsque cette norme n'est pas applicable, utiliser la norme Standard for Manufactured Home Installations, ANSI A225.1/NFPA 501A ou les dispositions des codes locaux.

Critères à respecter pour une installation dans une maison mobile :

- Lorsque cette cuisinière est installée dans une maison mobile, elle doit être fixée selon les instructions de ce document.

Dimensions du produit



A. Profondeur maximum avec poignée : 28 po (71,12 cm)

B. Hauteur maximum de la table de cuisson avec les pieds de nivellement complètement relevés : 37 1/8 po (96,2 cm)*

C. Hauteur maximum avec les pieds de nivellement complètement relevés : 36 po (91,44 cm)*

D. 24 po (60,96 cm) de largeur

E. Profondeur : 25 3/8 po (64,45 cm) De l'arrière de la cuisinière à l'avant de la table de cuisson.**

F. La plaque signalétique est située sous le support de brûleur

IMPORTANT : La cuisinière doit être d'aplomb après l'installation. Suivre les instructions de la section "Réglage de l'aplomb de la cuisinière". Il n'est pas recommandé d'utiliser la table de cuisson comme référence pour établir l'aplomb de la cuisinière.

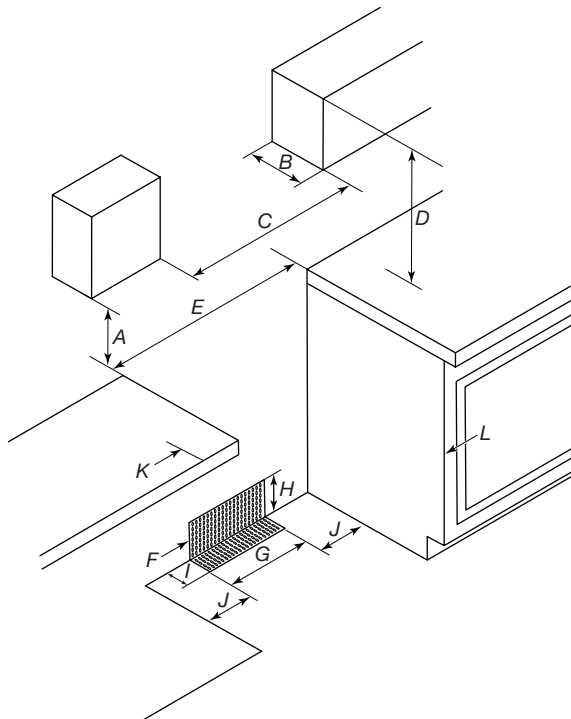
*La cuisinière peut être surélevée d'environ 3/4 po (1,90 cm) en ajustant les pieds de nivellement.

** L'avant de la porte et le tiroir peuvent dépasser un peu plus en fonction du style.

Dimensions de l'armoire

Les dimensions de l'espace entre les armoires correspondent à une installation entre des armoires de 24 po (61,0 cm) de profondeur, avec comptoir de 25 po (64,0 cm) de profondeur et de 36 po (91,4 cm) de hauteur.

IMPORTANT : Lors de l'installation d'une hotte ou d'un ensemble hotte/micro-ondes au-dessus de la surface de cuisson, suivre les instructions fournies avec la hotte ou l'ensemble hotte/micro-ondes concernant les dimensions de dégagement à respecter au-dessus de la surface de la table de cuisson.



- A. 18 po (45,7 cm) entre l'armoire latérale supérieure et le plan de travail
- B. Profondeur maximum de l'armoire supérieure : 13 po (33 cm)
- C. Largeur minimum de l'ouverture : 24 po (61 cm)
- D. Pour le dégagement minimum vers la partie supérieure de la table de cuisson, voir la REMARQUE*.
- E. Largeur minimum de l'ouverture : 24 ³/₁₆ po (61,4 cm)
- F. Il est recommandé d'effectuer l'installation de la canalisation de gaz rigide dans cette zone grisée
- G. 16 ³/₄ po (42,5 cm)
- H. 19 po (48,3 cm)
- I. 4 po (10,2 cm)
- J. 3 ⁵/₈ po (9,2 cm)
- K. Dégagement minimum de 5 po (12,7 cm) entre les deux côtés de la cuisinière et les parois latérales ou d'autres matériaux combustibles.
- L. La porte ou charnière de l'armoire ne doit pas dépasser à l'intérieur de l'ouverture.

***REMARQUE :** Distance de séparation de 24 po (61,0 cm) ou plus lorsque le fond d'une armoire de bois ou de métal est recouvert d'une planche ignifugée d'au moins ¹/₄ po (0,64 cm) recouverte d'une feuille métallique d'épaisseur égale ou supérieure à : acier calibre 28 MSG, acier inoxydable 0,015 po (0,4 mm), aluminium 0,024 po (0,6 mm) ou cuivre 0,020 po (0,5 mm).

Distance de séparation minimale de 30 po (76,2 cm) ou plus entre le dessus de la table de cuisson et le fond d'une armoire de bois ou de métal non protégé.

Spécifications électriques

⚠ AVERTISSEMENT



Risque de choc électrique

Brancher sur une prise à 3 alvéoles reliée à la terre.

Ne pas enlever la broche de liaison à la terre.

Ne pas utiliser un adaptateur.

Ne pas utiliser un câble de rallonge.

Le non-respect de ces instructions peut causer un décès, un incendie ou un choc électrique.

IMPORTANT : La cuisinière doit être reliée à la terre en conformité avec les codes et règlements locaux en vigueur, ou en l'absence de codes locaux, avec le National Electrical Code, ANSI/NFPA 70 ou le Code canadien des installations électriques, CSA C22.1.

Cette cuisinière est dotée d'un système d'allumage électronique qui ne fonctionnera pas si elle est branchée dans une prise qui n'est pas correctement polarisée.

Si les codes le permettent et si on utilise un conducteur distinct de liaison à la terre, il est recommandé qu'un électricien qualifié vérifie la qualité de la liaison à la terre.

Pour obtenir un exemplaire des normes des codes ci-dessus, contacter :

National Fire Protection Association
1 Batterymarch Park
Quincy, MA 02169-7471
CSA International
8501 East Pleasant Valley Road
Cleveland, OH 44131-5575

- Un circuit électrique de 120 V CA à 60 Hz protégé par un disjoncteur de 15 A est requis. On recommande également d'utiliser un fusible ou un disjoncteur temporisé. Il est recommandé de raccorder l'appareil sur un circuit distinct exclusif à cet appareil.
- Les systèmes d'allumage électronique fonctionnement avec des limites de tension étendues, mais une liaison à la terre correcte et une polarité appropriée sont nécessaires. Vérifier que la prise fournit une alimentation de 120 V et qu'elle est correctement reliée à la terre.
- Il n'est pas nécessaire de brancher cette cuisinière au gaz à une prise équipée d'un disjoncteur différentiel. Il est recommandé de ne pas brancher une cuisinière au gaz ou tout autre gros appareil électroménager à allumage électrique par étincelle dans une prise murale à disjoncteur différentiel, car ce dernier peut se déclencher lors de l'utilisation normale de l'allumeur.
- Le comportement de cette cuisinière ne change pas si elle est branchée à un circuit protégé par disjoncteur différentiel. Toutefois, le déclenchement intempestif du disjoncteur différentiel en utilisation normale peut se produire du fait de la nature des cuisinières au gaz à allumage électronique.
- Le schéma de câblage est situé à l'arrière de la cuisinière.

Spécification de l'alimentation en gaz

⚠ AVERTISSEMENT



Risque d'explosion

Utiliser une canalisation neuve d'arrivée de gaz approuvée par la CSA International.

Installer un robinet d'arrêt.

Bien serrer chaque organe de connexion de la canalisation de gaz.

En cas de connexion au gaz propane, demander à une personne qualifiée de s'assurer que la pression de gaz ne dépasse pas 36 cm (14 po) de la colonne d'eau.

Par personne qualifiée, on comprend :

le personnel autorisé de chauffage,
le personnel autorisé d'une compagnie de gaz, et
le personnel d'entretien autorisé.

Le non-respect de ces instructions peut causer un décès, une explosion ou un incendie.

Observer les dispositions de tous les codes et règlements en vigueur.

IMPORTANT : Cette installation doit être effectuée conformément avec les codes et règlements locaux. En l'absence de codes locaux, l'installation doit être effectuée en conformité avec l'édition la plus récente du American National Standard, National Fuel Gas Code ANSI Z223.1 ou l'édition la plus récente du CAN/CGA B149.

IMPORTANT : L'essai d'étanchéité de l'appareil électroménager doit être exécuté conformément aux directives du fabricant.

Type de gaz

Gaz naturel :

- Cette cuisinière a été configurée à l'usine pour l'alimentation au gaz naturel. Voir la section "Conversions pour changement de gaz". La plaque signalétique des numéros de modèle et de série située sous le support de brûleur indique les types de gaz utilisables. Si la liste des gaz ne comprend pas le type de gaz disponible, vérifier auprès du fournisseur de gaz local.

Conversion pour l'alimentation au propane :

L'opération de conversion doit être exécutée par un technicien de réparation qualifié.

Ne pas entreprendre de convertir l'appareil pour une utilisation avec un gaz différent de celui indiqué sur la plaque signalétique sans d'abord consulter le fournisseur de gaz local. Voir la section "Conversions pour changement de gaz".

Canalisation d'alimentation en gaz

- Amener l'alimentation en gaz à l'endroit où sera installée la cuisinière à l'aide d'un tuyau rigide de 3/4 po (1,9 cm). Un tuyau d'un plus petit diamètre utilisé sur une grande distance pourrait ne pas fournir une alimentation suffisante en gaz. Si du gaz propane est utilisé, le tuyau peut être d'un diamètre minimum de 1/2 po (1,3 cm). En général, le fournisseur de gaz propane détermine les matériaux à utiliser et le diamètre approprié.

REMARQUE : On doit utiliser un composé d'étanchéité pour tuyauteries résistant à l'action du gaz propane. Ne pas utiliser de ruban TEFLON[†].

Raccord métallique flexible :

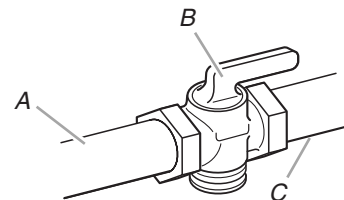
- Si les codes locaux le permettent, un nouveau connecteur en métal flexible conçu pour un appareil et certifié CSA de 4 pi à 5 pi (122 cm à 152,4 cm) de long et de 1/2 po (1,3 cm) ou 3/4 po (1,9 cm) de diamètre intérieur peut être utilisé pour brancher la cuisinière à l'entrée de gaz.



- Un tuyau mâle fileté de 1/2 po (1,3 cm) est nécessaire pour effectuer le raccordement entre le tuyau femelle fileté de l'orifice d'entrée et le détendeur de l'appareil.
- Ne pas plier ou endommager le tuyau de métal flexible lors du déplacement de la cuisinière.

IMPORTANT : Tous les raccords doivent être bien serrés à l'aide d'une clé. Ne pas serrer excessivement la connexion sur le détendeur. Un serrage excessif pourrait provoquer une fissuration du détendeur et une fuite de gaz. Lors du serrage des raccords, empêcher le détendeur de tourner.

- Robinet d'arrêt manuel nécessaire : Procéder à l'installation d'un robinet d'arrêt manuel pour la conduite de gaz dans un endroit facile d'accès. Ne pas entraver l'accès au robinet d'arrêt manuel. Le robinet permet d'ouvrir ou de fermer l'alimentation en gaz de la cuisinière.



- A. Canalisation de gaz
- B. Robinet d'arrêt à la position "fermée"
- C. Vers la cuisinière

Détendeur

Le détendeur fourni avec cette cuisinière doit être utilisé. La pression d'alimentation du détendeur doit respecter les indications suivantes pour obtenir un fonctionnement correct :

Gaz naturel :

Pression minimum : 6 po (15,2 cm) de colonne d'eau
Pression maximum : 14 po (35,5 cm) de colonne d'eau

Gaz propane :

Pression minimum : 11 po (27,9 cm) de colonne d'eau
Pression maximum : 14 po (35,5 cm) de colonne d'eau
Communiquer avec votre fournisseur local de gaz en cas de doute sur la pression d'entrée.

[†]® TEFLON est une marque déposée de Chemours.

Caractéristiques d'alimentation du brûleur

Les débits thermiques indiqués sur la plaque signalétique correspondent à une altitude d'utilisation inférieure à 2 000 pi (609,6 m).

Lorsque l'appareil est utilisé à une altitude supérieure à 2 000 pi (609,6 m), on doit réduire le débit thermique indiqué de 4 % pour chaque tranche de 1 000 pi (304,8 m) au-dessus du niveau de la mer (non applicable au Canada).

Essai de pression de la canalisation de gaz

On doit tester le détendeur sous une pression supérieure d'au moins 1 po (2,5 cm) à la pression de la tubulure de distribution indiquée sur la plaque signalétique.

Pression de ligne contrôlée au-dessus de ½ po (3,5 kPa) à 14 po (35,5 cm) de colonne d'eau.

Pour tout test de maintien en pression du système à une pression supérieure à ½ lb-po² (3,5 kPa), on doit déconnecter la cuisinière et son robinet d'arrêt des canalisations d'alimentation en gaz à pressuriser.

Pression de ligne contrôlée à ½ po (3,5 kPa) à 14 po (35,5 cm) de colonne d'eau ou moins.

La cuisinière devra être isolée des canalisations d'alimentation en gaz par la fermeture du robinet d'arrêt manuel individuel durant tout test de maintien en pression des canalisations d'alimentation en gaz à une pression égale ou inférieure à ½ lb-po² (3,5 kPa).

INSTRUCTIONS D'INSTALLATION

Déballage de la cuisinière

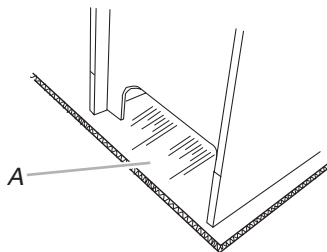
AVERTISSEMENT

Risque du poids excessif

Utiliser deux ou plus de personnes pour déplacer et installer la cuisinière.

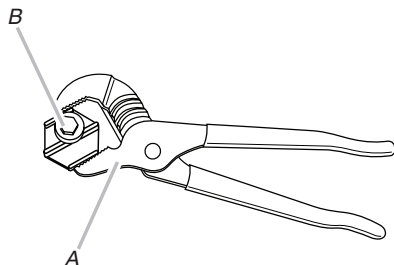
Le non-respect de cette instruction peut causer une blessure au dos ou d'autre blessure.

1. Ôter les matériaux d'emballage, le ruban adhésif et la pellicule protectrice de la cuisinière.
2. Retirer les grilles de four, ainsi que le sachet de pièces de l'intérieur du four et du dessus de la cuisinière.
3. Ne pas enlever la base d'expédition pour l'instant.



A. Base de livraison

Retirer le tiroir de remisage. Voir la section "Enlever et remettre le tiroir". Utiliser une clé ou une pince pour abaisser les pieds de nivellement avant d'un demi-tour.



A. Clé ou pince

B. Pied de nivellement avant

Dosseret

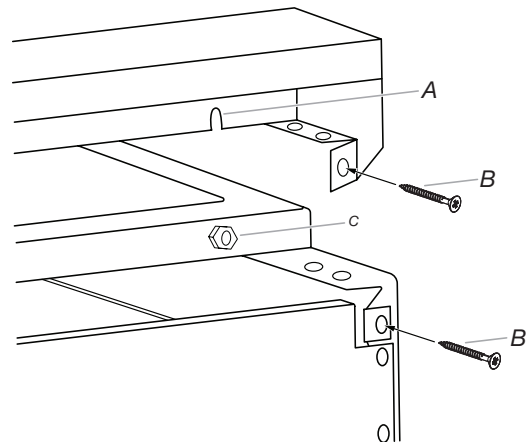
Outils requis :

Tournevis cruciforme

Pièces fournies :

(2) vis d'assemblage à tête bombée cruciforme no IOA x 1/2

1. Abaisser le dosseret en alignant ses fentes entre le haut de la cuisinière et les écrous de blocage.
2. Utiliser les deux vis d'assemblage pour fixer les coins arrière du dosseret aux panneaux latéraux.



A. Fente de dosseret

B. Vis d'assemblage

C. Écrou de blocage

Bride antibasculement

⚠️ AVERTISSEMENT



Risque de basculement

Un enfant ou une personne adulte peut faire basculer la cuisinière, ce qui peut causer un décès.

Fixer la bride antibasculement au plancher ou au mur, conformément aux instructions d'installation.

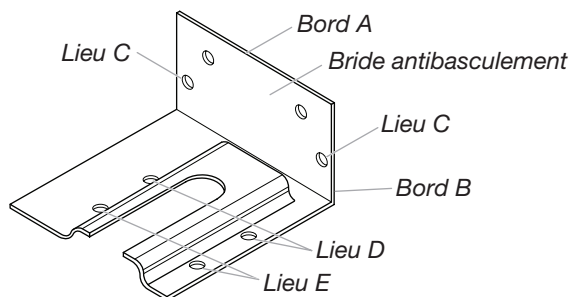
Faire glisser de nouveau la cuisinière de façon à ce que le pied arrière de la cuisinière se trouve dans la fente de la bride antibasculement.

Réengager la bride antibasculement si la cuisinière a été déplacée.

Ne pas faire fonctionner la cuisinière si la bride antibasculement n'est pas installée et engagée.

Le non-respect de ces instructions peut causer un décès ou des brûlures graves aux enfants et aux adultes.

1. Retirer la bride antibasculement contenue dans le sachet de documentation situé à l'intérieur du four.
2. Déterminer la méthode de montage à utiliser : au plancher ou au mur. Pour un plancher en pierre ou en briquetage, on peut utiliser la méthode de montage au mur. En cas d'installation de la cuisinière dans une résidence mobile, il est impératif de fixer la cuisinière au plancher.
3. Il est nécessaire de déterminer l'emplacement final de la cuisinière avant de positionner la bride antibasculement. Si la cuisinière est placée entre des armoires, placer la bride pour que le bord A soit adossé correctement au mur du fond. Le bord B devrait toucher le côté de l'armoire situé du côté droit de la cuisinière.



4. S'il n'y a pas d'armoire sur le côté, aligner le bord B de la bride avec le bord du côté de la cuisinière. Une fois l'emplacement de la bride déterminé, utiliser un marqueur pour identifier où seront faits les trous.
5. La bride antibasculement peut être fixée au plancher ou au mur. Pour une installation au mur, utiliser l'emplacement C. Lorsque l'emplacement C est utilisé, les vis doivent pénétrer la lisse du mur située à l'intérieur du mur. Pour une installation au plancher, utiliser l'emplacement D ou E. Une vis de chaque côté du support est suffisante.

6. Pour fixer l'ancrage de la bride à un plancher en béton ou en céramique, utiliser un foret de maçonnerie de 3/16 po pour percer les deux trous. Enfoncer les chevilles en plastique dans les trous du plancher à l'aide d'un marteau. Aligner les trous de la bride antibasculement et du plancher. Utiliser les deux vis fournies pour fixer la bride antibasculement au plancher.
7. Dévisser le pied de nivellement arrière d'environ 1/2 po pour qu'il puisse glisser sous la bride antibasculement. Placer la cuisinière à sa position finale une fois les raccordements électrique et au gaz effectués.

Effectuer le raccordement au gaz

⚠️ AVERTISSEMENT



Risque d'explosion

Utiliser une canalisation neuve d'arrivée de gaz approuvée par la CSA International.

Installer un robinet d'arrêt.

Bien serrer chaque organe de connexion de la canalisation de gaz.

En cas de connexion au gaz propane, demander à une personne qualifiée de s'assurer que la pression de gaz ne dépasse pas 36 cm (14 po) de la colonne d'eau.

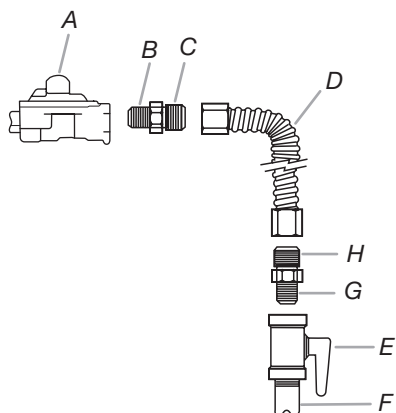
Par personne qualifiée, on comprend :

**le personnel autorisé de chauffage,
le personnel autorisé d'une compagnie de gaz, et
le personnel d'entretien autorisé.**

Le non-respect de ces instructions peut causer un décès, une explosion ou un incendie.

Raccordement typique par raccord flexible

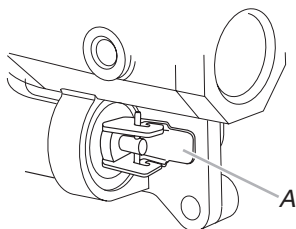
1. Appliquer un composé d'étanchéité de filetages résistant au propane sur l'extrémité filetée la plus petite des adaptateurs de raccord flexible (voir B et G ci-dessous).
2. Fixer un adaptateur sur le détendeur et l'autre adaptateur sur le robinet d'arrêt de la canalisation de gaz. Serrer les deux adaptateurs.
3. Utiliser une clé de $15/16$ po (2,4 cm) et une clé à molette pour fixer le connecteur flexible aux adaptateurs. S'assurer que le raccord n'est pas déformé.



- A. Détendeur
- B. Utiliser un composé d'étanchéité des tuyauteries
- C. Adaptateur (doit posséder un filet de 1/2 po (1,2 cm) pour tuyau mâle)
- D. Raccord flexible
- E. Robinet d'arrêt manuel
- F. Tuyau de gaz de 1/2 po (1,2 cm) ou 3/4 po (1,9 cm)
- G. Utiliser de la pâte à joint
- H. Adaptateur

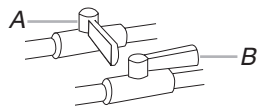
Achever le raccordement

- Vérifier que le robinet d'arrêt du détendeur est à la position "on" (ouvert).



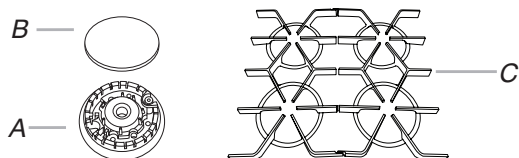
A. Robinet d'arrêt du détendeur à la position "on" (ouvert)

- Ouvrir le robinet d'arrêt manuel sur la canalisation d'alimentation en gaz. Le robinet est ouvert lorsque la poignée est parallèle au tuyau de gaz.



A. Robinet fermé
B. Robinet ouvert

- Vérifier tous les raccordements en les badigeonnant d'une solution de détection des fuites non corrosive approuvée. L'apparition de bulles indique une fuite. Réparer toutes les fuites.
- Ôter les chapeaux et grilles de brûleur de la table de cuisson du sachet de pièces. Un chapeau de brûleur correctement placé doit être horizontal. Si les chapeaux de brûleur ne sont pas correctement installés, les brûleurs de surface ne s'allumeront pas. Placer les grilles de brûleur sur les brûleurs et chapeaux.



A. Base de brûleur
B. Chapeau du brûleur
C. Grille du brûleur

⚠️ AVERTISSEMENT



Risque de choc électrique

Brancher sur une prise à 3 alvéoles reliée à la terre.

Ne pas enlever la broche de liaison à la terre.

Ne pas utiliser un adaptateur.

Ne pas utiliser un câble de rallonge.

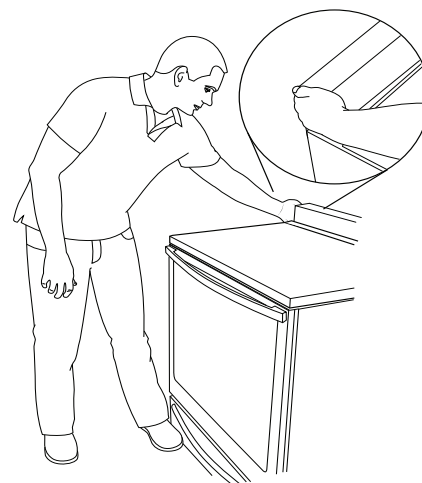
Le non-respect de ces instructions peut causer un décès, un incendie ou un choc électrique.

- Brancher sur une prise à trois trous reliée à la terre.
- Déplacer la cuisinière vers son emplacement définitif en s'assurant que le pied de nivellement arrière glisse dans les fentes de la bride antibasculement.

Vérifier que la bride antibasculement est bien installée et engagée

- Placer l'extérieur du pied contre la partie inférieure avant du tiroir et saisir le côté inférieur droit ou gauche du dossierer comme indiqué.

REMARQUE : Si le comptoir est muni d'un dossierer, il pourrait être nécessaire de saisir la cuisinière plus haut que ce qu'indique l'illustration.



- Tenter d'incliner la cuisinière vers l'avant avec précaution. S'il y a immédiatement une résistance, le pied de la cuisinière est engagé dans la bride antibasculement.
- Si l'arrière de la cuisinière se soulève de plus de 1/2 po (1,3 cm) du plancher sans opposer de résistance, cesser d'incliner la cuisinière et la reposer doucement sur le plancher. Le pied de la cuisinière n'est pas engagé dans la bride antibasculement.

IMPORTANT : Si on entend un claquement ou un bruit d'éclatement lorsqu'on soulève la cuisinière, cela signifie peut-être que la cuisinière n'est pas bien engagée dans la bride. Vérifier qu'aucun obstacle n'empêche la cuisinière de glisser jusqu'au mur ou le pied de la cuisinière de glisser dans la bride. Vérifier que la bride est fermement maintenue en place par les vis de montage.

4. Glisser la cuisinière vers l'avant et vérifier que la bride antibasculement est bien fixée au plancher ou au mur.
5. Faire glisser de nouveau la cuisinière de façon à ce que son pied arrière se trouve dans la fente de la bride antibasculement.

IMPORTANT : Si l'arrière de la cuisinière se trouve à plus de 2 po (5,1 cm) du mur de montage, cela signifie que le pied arrière de la cuisinière n'est peut-être pas engagé dans la bride. Glisser la cuisinière vers l'avant et déterminer si un objet fait obstruction entre la cuisinière et la paroi de montage. Les modifications apportées à l'alimentation en gaz doivent être effectuées par un technicien qualifié. Pour obtenir de l'aide ou un entretien, consulter la section "Assistance ou service" du guide d'utilisation et d'entretien, la couverture ou la section "Garantie" des instructions d'utilisation pour obtenir les coordonnées des personnes à contacter.

6. Répéter les étapes 1 et 2 pour s'assurer que le pied de la cuisinière est bien engagé dans la bride antibasculement.

Si l'arrière de la cuisinière se soulève de plus de ½ po (1,3 cm) du plancher sans opposer de résistance, cela peut signifier que la bride antibasculement n'est pas correctement installée. Ne pas faire fonctionner la cuisinière si la bride antibasculement n'est pas installée et engagée. Consulter la section "Assistance ou Service" du guide d'utilisation et d'entretien, la couverture ou la section "Garantie" des instructions d'utilisation pour obtenir les coordonnées des personnes à contacter.

Système d'allumage électronique

Allumage initial et ajustement des flammes de gaz

Un système d'allumage électronique est utilisé à la place des flammes de veille pour l'allumage des brûleurs (table de cuisson et four). Lorsqu'on place le bouton de commande d'un brûleur de la table de cuisson à la position "LIGHT" (allumage), le système génère des étincelles pour l'allumage du brûleur.

La génération d'étincelles se poursuit jusqu'au moment où l'utilisateur ramène le bouton de commande au réglage désiré. Lorsqu'on place le bouton de commande du four à la position désirée, un dispositif d'allumage à surface chaude commence à chauffer jusqu'à prendre une couleur orange vif et provoque l'inflammation du gaz. Il n'y a pas de génération d'étincelles. La barre incandescente reste allumée lorsque le brûleur est activé.

Contrôle du fonctionnement des brûleurs de la table de cuisson

Brûleurs de surface ordinaires

Enfoncer et tourner chaque bouton de commande à la position "LIGHT" (allumage).

La flamme doit s'allumer sur le brûleur en moins de 4 secondes. Lors de l'allumage initial du brûleur, le délai d'allumage peut être supérieur à 4 secondes du fait de la présence d'air dans la canalisation de gaz.

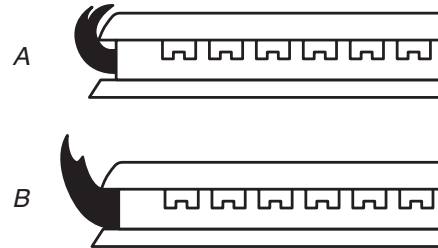
Si les brûleurs ne s'allument pas correctement :

- Tourner le bouton de commande sur la position "OFF" (arrêt).
- Vérifier que la cuisinière est branchée. Vérifier que le disjoncteur ne s'est pas déclenché, et qu'aucun fusible du domicile n'a grillé.
- Vérifier que chaque robinet d'arrêt de gaz est à la position "open" (ouverture).
- Vérifier que les chapeaux de brûleur sont correctement placés sur la base des brûleurs.

Répéter le processus de mise en marche. Si un brûleur ne s'allume pas à ce point, placer les boutons de commande sur "OFF" (arrêt) et communiquer avec votre marchand ou compagnie de service autorisée pour obtenir de l'aide.

Réglage de la taille des flammes

Régler la taille des flammes sur les brûleurs supérieurs de la table de cuisson. Pour le réglage au débit thermique minimum, on doit observer des flammes stables bleues d'une hauteur de ¼" (0,64 cm) environ..

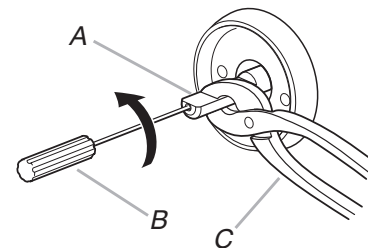


A. Débit thermique minimum
B. Débit thermique maximum

Réglage des brûleurs standard :

La vis de réglage au centre de la tige de commande du robinet permet de régler la taille des flammes. La tige de commande est située directement au-dessous du bouton de commande.

S'il est nécessaire de régler la taille des flammes pour le débit thermique minimum :



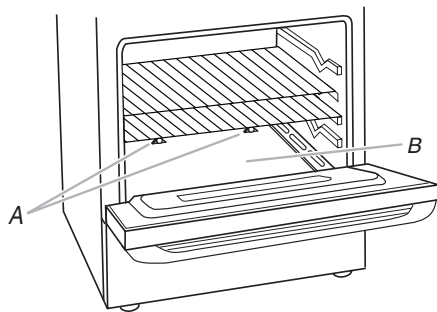
A. Tige du bouton de commande
B. Tournevis
C. Pince

1. Allumer un brûleur et tourner pour obtenir le réglage le plus faible.
2. Ôter le bouton de commande.
Immobiliser la tige de commande du bouton avec une pince. Utiliser un petit tournevis à lame plate pour faire tourner la vis située au centre de la tige de commande; ajuster les flammes à la taille désirée.
3. Réinstaller le bouton de commande.
4. Tester les flammes en tournant le bouton de commande de la position "LO" (basse) à la position "HI" (élevée), observer les flammes pour chaque réglage et s'assurer qu'elles sont stables.
5. Répéter cette procédure pour chacun des brûleurs.

Contrôle du fonctionnement du brûleur de cuisson au four

1. Ôter la grille du four.

2. Pour retirer la partie inférieure du four : Soulever la base du four pour enlever les onglets de l'arrière du four. Soulever l'arrière de la base du four et la pousser vers l'arrière jusqu'à ce que l'avant du panneau ne soit plus près du cadre avant. Enlever du four et placer sur une surface couverte.



A. Onglets
B. Base du four

3. Pour vérifier la flamme du brûleur, ôter le répartiteur de flammes.

Pour ôter le répartiteur de flammes :

Enlever les écrous. Soulever l'avant du répartiteur de flammes et tirer vers l'avant pour retirer les onglets de l'arrière du four.

4. Tourner le bouton de commande du four dans le sens antihoraire sur n'importe quelle position de cuisson.

Le brûleur de cuisson au four doit s'allumer en moins de 8 secondes. Dans certaines circonstances, le brûleur peut mettre jusqu'à 50 à 60 secondes pour s'allumer.

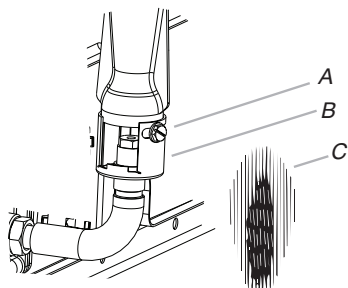
Consulter le guide d'utilisation et d'entretien ou les Instructions d'utilisation pour connaître le bon fonctionnement des commandes du four.

Ajustement de la taille des flammes sur le brûleur du four (le cas échéant)

1. Observer les flammes sur le brûleur du four pour déterminer si un ajustement est nécessaire.

Il doit y avoir sur le brûleur des flammes comportant un cône interne bleu-vert de 1/2 po (1,3 cm) et une zone externe bleu foncé; la forme des flammes doit être nette et douce. On ne doit pas observer de pointes jaunes, ni d'effet de soufflage ou de séparation entre les flammes et le brûleur.

2. S'il est nécessaire d'ajuster la taille des flammes, trouver l'obturateur d'air près du centre, à l'arrière de la cuisinière. Desserrer la vis de blocage et faire tourner l'obturateur d'air pour obtenir de belles flammes. Resserrer la vis de blocage.



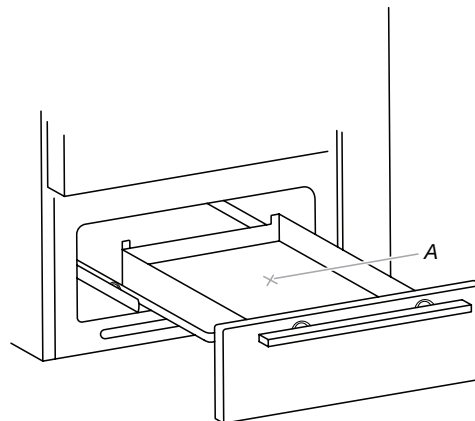
A. Vis de blocage
B. Obturateur d'air
C. Flamme

3. Tourner le thermostat à OFF (arrêt) après avoir terminé.
4. Réinstaller le répartiteur de flammes et la plaque de couverture du brûleur de four.

Tiroir du four avec brûleur

Le tiroir de remisage peut être enlevé pour faciliter le nettoyage. Pour l'enlever :

1. Tirer le tiroir de remisage jusqu'à la butée.
2. Soulever le centre du tiroir tout en le tirant vers l'extérieur pour permettre au tiroir de passer la butée et d'être enlevé du cadre de la cuisinière.



A. Encoche d'arrêt du tiroir

3. Le tiroir pourra être enlevé de la cuisinière.

REMARQUE : Ne pas utiliser de tampons en laines d'acier, de nettoyant commercial pour four, de silicone en aérosol pour four et de tampons ou de brosses rudes sur le tiroir de remisage.

Terminer l'installation

1. Vérifier que toutes les pièces sont maintenant installées. S'il reste une pièce, passer en revue les différentes étapes pour découvrir laquelle aurait été oubliée.
2. Vérifier la présence de tous les outils.
3. Éliminer/recycler tous les matériaux d'emballage.
4. Vérifier que la cuisinière est d'aplomb. Voir la section "Réglage de l'aplomb de la cuisinière".
5. Utiliser une solution d'eau tiède et de nettoyant ménager doux pour éliminer tout résidu de cire laissé par les matériaux d'emballage. Sécher soigneusement avec un chiffon doux. Pour plus d'informations, consulter la section "Entretien de la cuisinière" dans le guide d'utilisation et d'entretien ou les instructions d'utilisation.
6. Consulter le guide d'utilisation et d'entretien ou les instructions d'utilisation.
7. Mettre en marche les brûleurs de surface et le four. Consulter le guide d'utilisation et d'entretien ou les instructions d'utilisation pour des instructions spécifiques sur le fonctionnement de la cuisinière.

Si la cuisinière ne fonctionne pas, contrôler ce qui suit :

- Les fusibles du domicile sont intacts et serrés; le disjoncteur n'est pas déclenché.
 - Cuisinière branchée directement sur une prise de courant à 3 alvéoles, reliée à la terre.
 - La prise de courant est correctement alimentée.
 - Voir la section "Dépannage" dans le guide d'utilisation et d'entretien ou les instructions d'utilisation.
8. Après 5 minutes de fonctionnement de la cuisinière, vérifier la chaleur. Si aucune émanation de chaleur n'est perceptible, éteindre la cuisinière et vérifier que le robinet d'arrêt de la canalisation de gaz est ouvert. Voir la section "Dépannage" dans le guide d'utilisation et d'entretien ou les instructions d'utilisation.

- Si le robinet d'arrêt de la canalisation de gaz est fermé, l'ouvrir, puis répéter le test de 5 minutes décrit ci-dessus.
- Si le robinet d'arrêt de la canalisation d'alimentation en gaz est ouvert, tourner le bouton à la position OFF (arrêt). Voir la section "Dépannage" dans le guide d'utilisation et d'entretien ou les instructions d'utilisation.

Pour obtenir de l'assistance ou une visite de service :

Consulter la section "Assistance ou service" du guide d'utilisation et d'entretien, la couverture des instructions d'utilisation ou contacter le service à la clientèle.

CONVERSIONS DE GAZ

La conversion du gaz naturel au gaz propane ou inversement doit être effectuée par un installateur qualifié.

⚠ AVERTISSEMENT



Risque d'explosion

Utiliser une canalisation neuve d'arrivée de gaz approuvée par la CSA International.

Installer un robinet d'arrêt.

Bien serrer chaque organe de connexion de la canalisation de gaz.

En cas de connexion au gaz propane, demander à une personne qualifiée de s'assurer que la pression de gaz ne dépasse pas 36 cm (14 po) de la colonne d'eau.

Par personne qualifiée, on comprend :

le personnel autorisé de chauffage,
le personnel autorisé d'une compagnie de gaz, et
le personnel d'entretien autorisé.

Le non-respect de ces instructions peut causer un décès, une explosion ou un incendie.

Conversion au gaz propane

⚠ AVERTISSEMENT



Risque de basculement

Un enfant ou une personne adulte peut faire basculer la cuisinière, ce qui peut causer un décès.

Fixer la bride antibasculement au plancher ou au mur, conformément aux instructions d'installation.

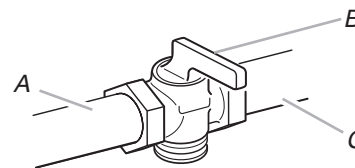
Faire glisser de nouveau la cuisinière de façon à ce que le pied arrière de la cuisinière se trouve dans la fente de la bride antibasculement.

Réengager la bride antibasculement si la cuisinière a été déplacée.

Ne pas faire fonctionner la cuisinière si la bride antibasculement n'est pas installée et engagée.

Le non-respect de ces instructions peut causer un décès ou des brûlures graves aux enfants et aux adultes.

1. Fermer le robinet d'arrêt.



- A. Vers la cuisinière
B. Robinet d'arrêt manuel à la position "fermée"
C. Entrée de gaz

2. Débrancher la cuisinière ou déconnecter la source de courant électrique.

Conversion du détendeur de gaz (du gaz naturel au gaz propane)

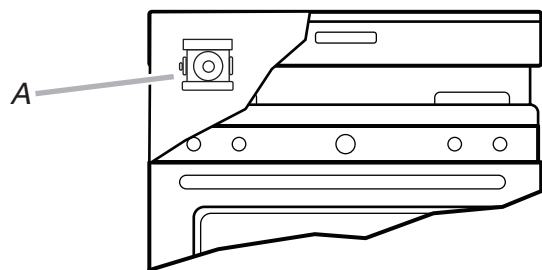
AVERTISSEMENT

Risque du poids excessif

Utiliser deux ou plus de personnes pour déplacer et installer la cuisinière.

Le non-respect de cette instruction peut causer une blessure au dos ou d'autre blessure.

1. Déplacer la cuisinière pour être en mesure de travailler à l'arrière de l'appareil.
2. Localiser le détendeur situé dans le coin supérieur droit à l'arrière de l'appareil.



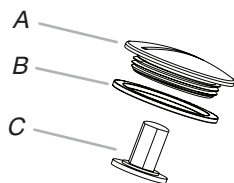
A. Détendeur

IMPORTANT : Ne pas enlever le détendeur.

3. Retirer le capuchon du détendeur à l'aide d'une clé de 7/8 po (2,2 cm).

REMARQUE : Veiller à ce que le joint reste à la même position.

REMARQUE : Ne pas enlever le ressort situé sous le capuchon.



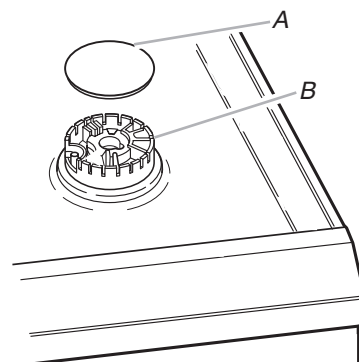
A. Capuchon
B. Joint
C. Broche

4. Pour convertir la cuisinière au gaz propane, inverser la broche et la replacer sur le capuchon.
5. Réinstaller le capuchon.

Conversion des brûleurs de surface (du gaz naturel au gaz propane)

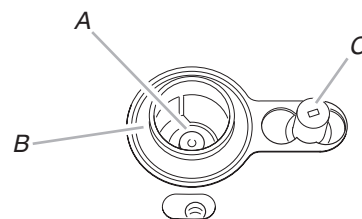
1. Ôter le chapeau de brûleur.

2. Ôter la base du brûleur.



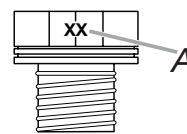
A. Chapeau de brûleur
B. Base du brûleur

3. Appliquer du ruban-cache au bout d'un tourne-écrou de 3/32 po (7 mm) pour aider à maintenir l'injecteur à orifice dans le tourne-écrou pendant la conversion. Placer le tourne-écrou sur l'injecteur; tourner dans le sens antihoraire et soulever pour enlever l'injecteur. Conserver à part l'injecteur du brûleur.



A. Injecteur
B. Support d'injecteur
C. Électrode d'étincelle

4. Retirer les porte-injecteurs en carton fournis dans le sachet de documentation situé dans le four. Chaque injecteur est marqué d'un code d'identification. Remplacer l'injecteur à orifice pour gaz naturel par le bon injecteur pour gaz propane.



A. Chiffre gravé

Consulter le tableau suivant pour connaître le bon positionnement de l'injecteur à orifice pour gaz propane.

Tableau pour les injecteurs à orifice pour gaz propane des brûleurs de surface

Puissance thermique	Taille
14 000 BTU	1,10 mm
5 000 BTU	0,67 mm
8 000 BTU	0,83 mm
11 000 BTU	0,98 mm

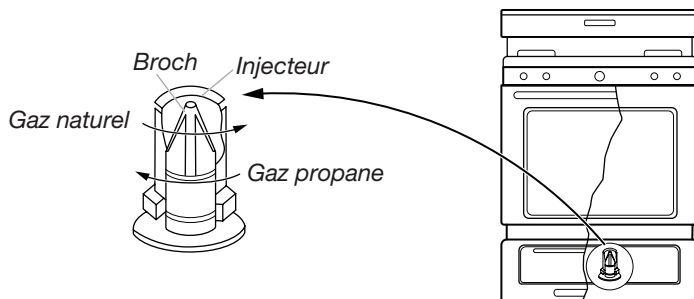
REMARQUE : Voir la plaque signalétique, située sous le support de brûleur, qui indique la taille de l'injecteur correct à utiliser pour chaque brûleur (selon sa position).

5. Placer l'injecteur pour gaz naturel sur le porte-injecteur de carton.
6. Réinstaller la base du brûleur.
7. Réinstaller le chapeau de brûleur.
8. Répéter les étapes 1 à 7 pour les autres brûleurs.

Conversion du brûleur de cuisson au four (du gaz naturel au gaz propane)

1. Retirer les grilles du four.
2. L'injecteur du brûleur du four est situé sous l'orifice d'entrée du brûleur du four dans la portion arrière la plus basse de la section du brûleur. À l'aide d'une clé de 1/2 po, tourner le capot d'injecteur de deux tours complets dans le sens horaire pour éloigner le capot de la broche de l'orifice.

REMARQUE : Ne pas trop serrer le capot d'injecteur.



Achever l'installation (de gaz naturel à propane)

1. Consulter la section "Effectuer le raccordement au gaz" pour savoir comment bien raccorder la cuisinière à l'entrée de gaz.

IMPORTANT : Il peut être nécessaire de modifier l'ajustement des flammes à la position du débit thermique minimum "LO" (basse) pour chaque brûleur de la table de cuisson.

Il est très important de vérifier la production de belles flammes par les brûleurs de la table de cuisson, du four et du gril. Le petit cône interne doit comporter une flamme bleue très distincte de 1/4 po (0,64 cm) à 1/2 po (1,3 cm) de longueur. Le cône externe n'est pas aussi distinct que le cône interne. Les flammes d'un brûleur alimenté au propane comportent une pointe légèrement jaune.

2. Voir le point "Achever l'installation" de la section "Instructions d'installation" du présent manuel pour achever cette procédure.

REMARQUE : Conserver les orifices retirés de l'appareil en vue d'une utilisation ultérieure.

3. Une fois la conversion précédente effectuée, vérifier le fonctionnement des brûleurs de la table de cuisson et du four. Ajuster l'obturateur d'air du four au besoin.

Ajustement de l'obturateur d'air

L'ajustement de l'obturateur d'air du brûleur du four est situé du côté ouvert du tube d'entrée du brûleur du four et repose sur le capot du robinet du brûleur du four. Pour ajuster l'obturateur d'air :

1. Desserrer la vis de l'obturateur d'air.
2. Fermer l'ouverture de l'obturateur d'air pour réduire l'apport d'air à la flamme ou l'ouvrir pour augmenter l'apport.
3. Lorsque la flamme est bien ajustée, resserrer la vis.

REMARQUE : La flamme du brûleur devrait être bleue et stable. L'obturateur d'air d'un brûleur produisant une flamme jaune et instable ou partielle doit être ajusté.

Conversion au gaz naturel

⚠ AVERTISSEMENT



Risque de basculement

Un enfant ou une personne adulte peut faire basculer la cuisinière, ce qui peut causer un décès.

Fixer la bride antibasculement au plancher ou au mur, conformément aux instructions d'installation.

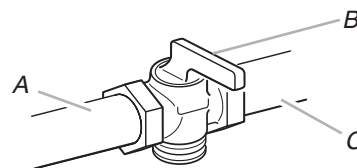
Faire glisser de nouveau la cuisinière de façon à ce que le pied arrière de la cuisinière se trouve dans la fente de la bride antibasculement.

Réengager la bride antibasculement si la cuisinière a été déplacée.

Ne pas faire fonctionner la cuisinière si la bride antibasculement n'est pas installée et engagée.

Le non-respect de ces instructions peut causer un décès ou des brûlures graves aux enfants et aux adultes.

1. Fermer le robinet d'arrêt.



- A. Vers la cuisinière
- B. Robinet d'arrêt manuel à la position "fermée"
- C. Entrée de gaz

1. Débrancher la cuisinière ou déconnecter la source de courant électrique.

Conversion du détendeur de gaz (du gaz propane au gaz naturel)

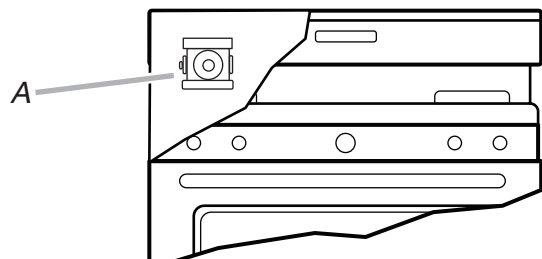
AVERTISSEMENT

Risque du poids excessif

Utiliser deux ou plus de personnes pour déplacer et installer la cuisinière.

Le non-respect de cette instruction peut causer une blessure au dos ou d'autre blessure.

1. Déplacer la cuisinière pour être en mesure de travailler à l'arrière de l'appareil.
2. Localiser le détendeur situé dans le coin supérieur droit à l'arrière de l'appareil.



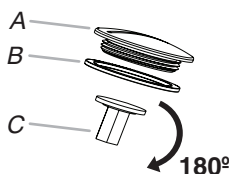
A. Détendeur

IMPORTANT : Ne pas enlever le détendeur.

3. Retirer le capuchon du détendeur à l'aide d'une clé de 7/8 po (2,2 cm).

REMARQUE : Veiller à ce que le joint reste à la même position.

REMARQUE : Ne pas enlever le ressort situé sous le capuchon.

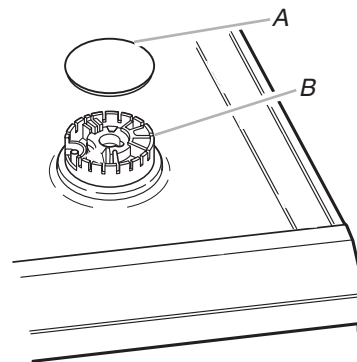


A. Capuchon
B. Joint
C. Broche

4. Pour convertir la cuisinière au gaz propane, inverser la broche et la replacer sur le capuchon.
5. Réinstaller le capuchon.

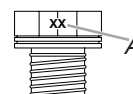
Conversion des brûleurs de surface (du gaz propane au gaz naturel)

1. Ôter le chapeau de brûleur.
2. Ôter la base du brûleur.



A. Chapeau de brûleur
B. Base du brûleur

3. Chaque injecteur est marqué d'un code d'identification gravé sur le côté. Remplacer l'injecteur à orifice pour gaz propane par le bon injecteur pour gaz naturel.



A. Chiffre gravé

Le tableau qui suit permet de sélectionner l'injecteur pour gaz naturel correct pour chaque brûleur.

Tableau de sélection des injecteurs pour gaz naturel

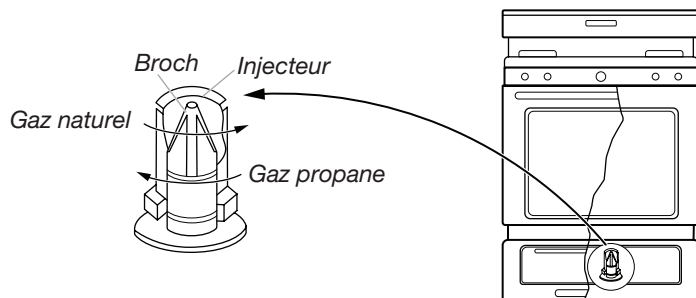
Puissance thermique	Taille
15 000 BTU	1,80 mm
6 000 BTU	1,12 mm
9 100 BTU	1,35 mm
12 000 BTU	1,60 mm

REMARQUE : Voir la plaque signalétique, située sous le support de brûleur, qui indique la taille de l'injecteur correct à utiliser pour chaque brûleur (selon sa position).

4. Placer l'injecteur pour gaz propane dans le sachet en plastique contenant les pièces et conserver le tout avec le sachet de documentation pour pouvoir le réutiliser ultérieurement.
5. Réinstaller le brûleur.
6. Réinstaller le chapeau de brûleur.
7. Répéter les étapes 1 à 7 pour les autres brûleurs.

Conversion du brûleur de cuisson au four (de gaz propane à gaz naturel)

1. Retirer les grilles du four.
2. L'injecteur du brûleur du four est situé sous l'orifice d'entrée du brûleur du four dans la portion arrière la plus basse de la section du brûleur. À l'aide d'une clé de 1/2 po, tourner le capot d'injecteur de deux tours complets dans le sens antihoraire pour éloigner le capot de la broche de l'orifice.



REMARQUE : Ne pas trop serrer le capot d'injecteur.

Achever l'installation (de gaz propane à naturel)

1. Consulter la section "Effectuer le raccordement au gaz" pour savoir comment bien raccorder la cuisinière à l'entrée de gaz.

IMPORTANT : Il peut être nécessaire de modifier l'ajustement des flammes à la position du débit thermique minimum "LO" (basse) pour chaque brûleur de la table de cuisson.

Il est très important de vérifier la production de belles flammes par les brûleurs de la table de cuisson et du four. Les flammes d'un brûleur alimenté au gaz naturel ne comportent pas de pointe jaune.

2. Voir le point "Achever l'installation" de la section "Instructions d'installation" du présent manuel pour achever cette procédure.

REMARQUE : Conserver les orifices retirés de l'appareil en vue d'une utilisation ultérieure.

3. Une fois la conversion précédente effectuée, vérifier le fonctionnement des brûleurs de la table de cuisson et du four. Ajuster l'obturateur d'air du four au besoin.

Ajustement de l'obturateur d'air

L'ajustement de l'obturateur d'air du brûleur du four est situé du côté ouvert du tube d'entrée du brûleur du four et repose sur le capot du robinet du brûleur du four. Pour ajuster l'obturateur d'air :

1. Desserrer la vis de l'obturateur d'air.
2. Fermer l'ouverture de l'obturateur d'air pour réduire l'apport d'air à la flamme ou l'ouvrir pour augmenter l'apport.
3. Lorsque la flamme est bien ajustée, resserrer la vis.

REMARQUE : La flamme du brûleur devrait être bleue et stable. L'obturateur d'air d'un brûleur produisant une flamme jaune et instable ou partielle doit être ajusté.