



REFRIGERATOR USER INSTRUCTIONS

THANK YOU for purchasing this high-quality product. Register your new refrigerator at www.whirlpool.com. In Canada, register your refrigerator at www.whirlpool.ca.

For future reference, please make a note of your product model and serial numbers. These can be located on the inside wall of the refrigerator compartment.

Model Number _____ Serial Number _____

Table of Contents / Índice / Table des matières

REFRIGERATOR SAFETY	2	SEGURIDAD DEL REFRIGERADOR ...	18	SÉCURITÉ DU RÉFRIGÉRATEUR	36
INSTALLATION INSTRUCTIONS	3	INSTRUCCIONES		INSTRUCTIONS D'INSTALLATION	37
Unpack the Refrigerator	3	DE INSTALACIÓN	19	Déballage du réfrigérateur	37
Location Requirements	3	Desempaqué el refrigerador	19	Exigences d'emplacement.....	38
Electrical Requirements.....	4	Requisitos de ubicación	20	Spécifications électriques	38
Water Supply Requirements.....	4	Requisitos eléctricos	20	Spécifications de l'alimentation en eau	39
Connect the Water Supply	4	Requisitos del suministro de agua	21	Raccordement de la canalisation d'eau	39
Refrigerator Doors and Drawer	5	Conexión del suministro de agua.....	21	Portes et tiroir du réfrigérateur.....	40
Adjust the Doors	8	Puertas y cajón del refrigerador	22	Ajustement des portes	43
REFRIGERATOR USE	8	Ajuste las puertas	25	UTILISATION DU RÉFRIGÉRATEUR.....	43
Opening and Closing Doors	8	USO DE SU REFRIGERADOR	25	Ouverture et fermeture des portes	43
Using the Controls	8	Cómo abrir y cerrar las puertas.....	25	Utilisation des commandes.....	43
Crisper Humidity Control.....	10	Uso de los controles.....	25	Réglage de l'humidité dans	
Ice Maker and Ice Storage Bin	10	Control de humedad		le bac à légumes	45
Water and Ice Dispensers	10	del cajón para verduras	27	Machine à glaçons et bac	
Water Filtration System	11	Fábrica de hielo y depósito de hielo ..	27	d'entreposage	45
REFRIGERATOR CARE	12	Despachadores de agua y hielo	28	Distributeurs d'eau et de glaçons.....	46
Cleaning	12	Sistema de filtración de agua.....	29	Système de filtration de l'eau.....	47
Changing the Light Bulb	12	CUIDADO DE SU REFRIGERADOR	29	ENTRETIEN DU RÉFRIGÉRATEUR	48
TROUBLESHOOTING	13	Limpieza.....	29	Nettoyage	48
Refrigerator Operation	13	Cómo cambiar el foco	30	Remplacement de l'ampoule	
Temperature and Moisture	14	SOLUCIÓN DE PROBLEMAS	31	d'éclairage	48
Ice and Water.....	14	Funcionamiento del refrigerador	31	DÉPANNAGE	49
PERFORMANCE DATA SHEET	16	Temperatura y humedad	32	Fonctionnement du réfrigérateur	49
WARRANTY	17	Hielo y agua	32	Température et humidité.....	50
		HOJA DE DATOS		Glaçons et eau	50
		DEL RENDIMIENTO	34	FEUILLE DE DONNÉES SUR LA	
		GARANTÍA	35	PERFORMANCE.....	52
				GARANTIE	53

REFRIGERATOR SAFETY

Your safety and the safety of others are very important.

We have provided many important safety messages in this manual and on your appliance. Always read and obey all safety messages.



This is the safety alert symbol.

This symbol alerts you to potential hazards that can kill or hurt you and others.

All safety messages will follow the safety alert symbol and either the word "DANGER" or "WARNING."

These words mean:

⚠ DANGER

You can be killed or seriously injured if you don't immediately follow instructions.

⚠ WARNING

You can be killed or seriously injured if you don't follow instructions.

All safety messages will tell you what the potential hazard is, tell you how to reduce the chance of injury, and tell you what can happen if the instructions are not followed.

IMPORTANT SAFETY INSTRUCTIONS

WARNING: To reduce the risk of fire, electric shock, or injury when using your refrigerator, follow these basic precautions:

- Plug into a grounded 3 prong outlet.
- Do not remove ground prong.
- Do not use an adapter.
- Do not use an extension cord.
- Disconnect power before servicing.
- Replace all parts and panels before operating.
- Remove doors from your old refrigerator.
- Use nonflammable cleaner.
- Keep flammable materials and vapors, such as gasoline, away from refrigerator.
- Use two or more people to move and install refrigerator.
- Disconnect power before installing ice maker (on ice maker kit ready models only).
- Use a sturdy glass when dispensing ice (on some models).
- Do not hit the refrigerator glass doors (on some models).

SAVE THESE INSTRUCTIONS

State of California Proposition 65 Warnings:

WARNING: This product contains one or more chemicals known to the State of California to cause cancer.

WARNING: This product contains one or more chemicals known to the State of California to cause birth defects or other reproductive harm.

Proper Disposal of Your Old Refrigerator

⚠ WARNING

Suffocation Hazard

Remove doors from your old refrigerator.

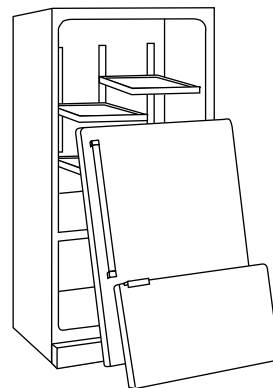
Failure to do so can result in death or brain damage.

IMPORTANT: Child entrapment and suffocation are not problems of the past. Junked or abandoned refrigerators are still dangerous – even if they will sit for "just a few days." If you are getting rid of your old refrigerator, please follow these instructions to help prevent accidents.

Before You Throw Away Your Old Refrigerator or Freezer:

- Take off the doors.

- Leave the shelves in place so that children may not easily climb inside.



Important information to know about disposal of refrigerants:

Dispose of refrigerator in accordance with Federal and Local regulations. Refrigerants must be evacuated by a licensed, EPA certified refrigerant technician in accordance with established procedures.

INSTALLATION INSTRUCTIONS

Unpack the Refrigerator

! WARNING

Excessive Weight Hazard

Use two or more people to move and install refrigerator.

Failure to do so can result in back or other injury.

Remove the Packaging

- Remove tape and glue residue from surfaces before turning on the refrigerator. Rub a small amount of liquid dish soap over the adhesive with your fingers. Wipe with warm water and dry.
- Do not use sharp instruments, rubbing alcohol, flammable fluids, or abrasive cleaners to remove tape or glue. These products can damage the surface of your refrigerator. For more information, see "Refrigerator Safety."
- Dispose of/recycle all packaging materials.

When Moving Your Refrigerator:

Your refrigerator is heavy. When moving the refrigerator for cleaning or service, be sure to cover the floor with cardboard or hardboard to avoid floor damage. Always pull the refrigerator straight out when moving it. Do not wiggle or "walk" the refrigerator when trying to move it, as floor damage could occur.

Clean Before Using

After you remove all of the packaging materials, clean the inside of your refrigerator before using it. See the cleaning instructions in "Refrigerator Care."

Important information to know about glass shelves and covers:

Do not clean glass shelves or covers with warm water when they are cold. Shelves and covers may break if exposed to sudden temperature changes or impact, such as bumping. Tempered glass is designed to shatter into many small, pebble-size pieces. This is normal. Glass shelves and covers are heavy. Use both hands when removing them to avoid dropping.

Location Requirements

! WARNING



Explosion Hazard

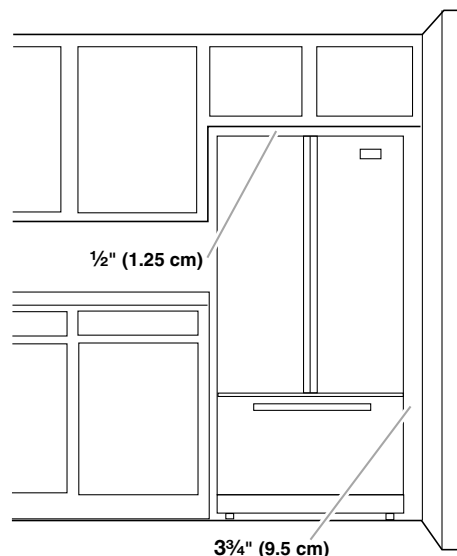
Keep flammable materials and vapors, such as gasoline, away from refrigerator.

Failure to do so can result in death, explosion, or fire.

IMPORTANT: This refrigerator is designed for indoor, household use only.

To ensure proper ventilation for your refrigerator, allow for a 1/2" (1.25 cm) of space on each side and at the top. Allow for a 1" (2.54 cm) space behind the refrigerator. If your refrigerator has an ice maker, allow extra space at the back for the water line connections. When installing your refrigerator next to a fixed wall, leave a 3 3/4" (9.5 cm) minimum space between the refrigerator and wall to allow the door to swing open.

NOTE: This refrigerator is intended for use in a location where the temperature ranges from a minimum of 55°F (13°C) to a maximum of 110°F (43°C). The preferred room temperature range for optimum performance, which reduces electricity usage and provides superior cooling, is between 60°F (15°C) and 90°F (32°C). It is recommended that you do not install the refrigerator near a heat source, such as an oven or radiator.



Electrical Requirements

⚠ WARNING



Electrical Shock Hazard

Plug into a grounded 3 prong outlet.

Do not remove ground prong.

Do not use an adapter.

Do not use an extension cord.

Failure to follow these instructions can result in death, fire, or electrical shock.

Before you move your refrigerator into its final location, it is important to make sure you have the proper electrical connection.

Recommended Grounding Method

A 115-volt, 60 Hz, AC-only 15- or 20-amp fused, grounded electrical supply is required. It is recommended that a separate circuit serving only your refrigerator and approved accessories be provided. Use an outlet that cannot be turned off by a switch. Do not use an extension cord.

NOTE: Before performing any type of installation, cleaning, or removing a light bulb, turn off Cooling, and then disconnect the refrigerator from the electrical source. When you have finished, reconnect the refrigerator to the electrical source and turn on Cooling. See “Using the Controls.”

Water Supply Requirements

Gather the required tools and parts before starting installation. Read and follow the instructions provided with any tools listed here.

TOOLS NEEDED:

- Flat-blade screwdriver
- ¼" Nut driver
- ⅞" and ½" Open-end or two adjustable wrenches
- ¼" Drill bit
- Cordless drill

IMPORTANT:

- All installations must meet local plumbing code requirements.
- Do not use a piercing-type or ⅜" (4.76 mm) saddle valve which reduces water flow and clogs more easily.
- Use copper tubing and check for leaks. Install copper tubing only in areas where the household temperatures will remain above freezing.
- For models with water filters, the disposable water filter should be replaced at least every 6 months.

Water Pressure

A cold water supply with water pressure between 35 and 120 psi (241 and 827 kPa) is required to operate the water dispenser and ice maker. If you have questions about your water pressure, call a licensed, qualified plumber.

Reverse Osmosis Water Supply

IMPORTANT: The pressure of the water supply coming out of a reverse osmosis system going to the water inlet valve of the refrigerator needs to be between 35 and 120 psi (241 and 827 kPa).

If a reverse osmosis water filtration system is connected to your cold water supply, the water pressure to the reverse osmosis system needs to be a minimum of 40 to 60 psi (276 to 414 kPa).

If the water pressure to the reverse osmosis system is less than 40 to 60 psi (276 to 414 kPa):

- Check to see whether the sediment filter in the reverse osmosis system is blocked. Replace the filter if necessary.
- Allow the storage tank on the reverse osmosis system to refill after heavy usage.
- If your refrigerator has a water filter, it may further reduce the water pressure when used in conjunction with a reverse osmosis system. Remove the water filter. See “Water Filtration System.”

If you have questions about your water pressure, call a licensed, qualified plumber.

Connect the Water Supply

Read all directions before you begin.

IMPORTANT:

- Plumbing shall be installed in accordance with the International Plumbing Code and any local codes and ordinances.
- The gray water tubing on the back of the refrigerator (which is used to connect to the household water line) is a PEX (cross-linked polyethylene) tube. Copper and PEX tubing connections from the household water line to the refrigerator are acceptable and will help avoid off-taste or odor in your ice or water. Check for leaks.

If PEX tubing is used instead of copper, we recommend the following Whirlpool Part Numbers:
W10505928RP (7 ft [2.14 m] jacketed PEX),
8212547RP (5 ft [1.52 m] PEX), or
W10267701RP (25 ft [7.62 m] PEX).

- Install tubing only in areas where temperatures will remain above freezing.
- If you turn on the refrigerator before the water line is connected, turn off the ice maker to avoid excessive noise or damage to the water valve.

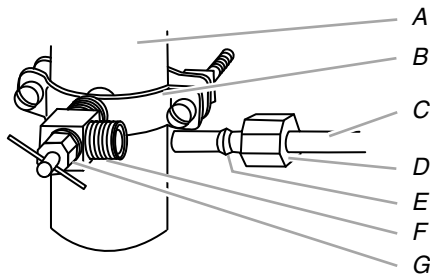
Connect to Water Line

1. Unplug refrigerator or disconnect power.
2. Turn off main water supply. Turn on nearest faucet long enough to clear line of water.
3. Find a ½" to 1¼" (12.7 mm to 31.8 mm) vertical cold water pipe near the refrigerator.

IMPORTANT:

- Make sure it is a cold water pipe.
 - Horizontal pipe will work, but the following procedure must be followed: Drill on the top side of the pipe, not the bottom. This will help keep water away from the drill. This also keeps normal sediment from collecting in the valve.
4. Determine the length of copper tubing you need. Measure from the connection on the lower right rear of the refrigerator to the water pipe. Add 7 ft (2.1 m) to allow for cleaning. Use ¼" (6.35 mm) O.D. (outside diameter) copper tubing. Be sure both ends of copper tubing are cut square.

- Using a cordless drill, drill a 1/4" hole in the cold water pipe you have selected.

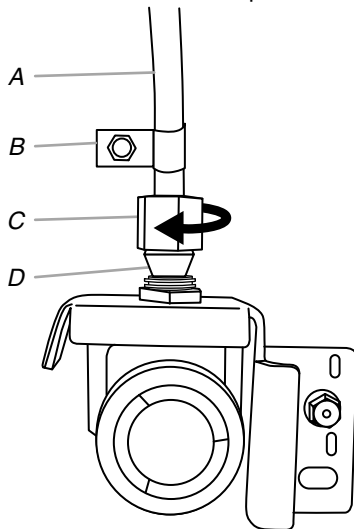


A. Cold water pipe
B. Pipe clamp
C. Copper tubing
D. Compression nut
E. Compression sleeve
F. Shut-off valve
G. Packing nut

- Fasten the shut-off valve to the cold water pipe with the pipe clamp. Be sure the outlet end is solidly in the 1/4" drilled hole in the water pipe and that the washer is under the pipe clamp. Tighten the packing nut. Tighten the pipe clamp screws slowly and evenly so the washer makes a watertight seal. Do not overtighten.
- Slip the compression sleeve and compression nut on the copper tubing as shown. Insert the end of the tubing into the outlet end squarely as far as it will go. Screw compression nut onto outlet end with adjustable wrench. Do not overtighten or you may crush the copper tubing.
- Place the free end of the tubing in a container or sink, and turn on the main water supply. Flush the tubing until water is clear. Turn off the shut-off valve on the water pipe.

Connect to Refrigerator

- Remove plastic cap from water valve inlet port. Attach the copper tube to the valve inlet using a compression nut and sleeve as shown. Tighten the compression nut. Do not overtighten. Confirm copper tubing is secure by pulling on copper tubing.
- Create a service loop with the copper tubing. Avoid kinks when coiling the copper tubing. Secure copper tubing to refrigerator cabinet with a "P" clamp.



A. Copper tubing
B. "P" clamp
C. Compression nut
D. Compression sleeve

- Turn on water supply to refrigerator and check for leaks. Correct any leaks.

Complete the Installation

⚠ WARNING



Electrical Shock Hazard

Plug into a grounded 3 prong outlet.

Do not remove ground prong.

Do not use an adapter.

Do not use an extension cord.

Failure to follow these instructions can result in death, fire, or electrical shock.

- Plug into a grounded 3 prong outlet.

NOTE: Allow 24 hours to produce the first batch of ice. Discard the first three batches of ice produced. Allow 3 days to completely fill the ice container.

Refrigerator Doors and Drawer

All graphics referenced in the following instructions are included later in this section after "Final Steps."

TOOLS NEEDED: 5/16", 3/8", 1/4" hex-head socket wrench, #2 Phillips screwdriver, and a flat-blade screwdriver.

IMPORTANT:

- Your refrigerator may have a standard reversible refrigerator door with either a freezer door or freezer drawer or French doors. Follow the instructions specific to the door style of your model.
- All graphics referenced in the following instructions are included later in this section after "Final Steps." The graphics shown for the standard door are for a right-hand swing refrigerator (hinges factory installed on the right).
- If you only want to remove and replace the doors, see "Remove Door(s) and Hinges" and "Replace Door(s) and Hinges."
- Before you begin, turn the refrigerator control off and remove food and adjustable door or utility bins from the doors.

Remove and Replace Handles

- Using a 3/32" or 1/8" hex key, loosen the two setscrews located on the side of each handle. Pull the handle straight out from the door. Make sure you keep the screws for reattaching the handles. See Handles, graphic 1.
- To replace the handles, reverse the directions.

Remove Doors and Hinges

IMPORTANT: Remove food and any adjustable door or utility bins from doors.

⚠ WARNING

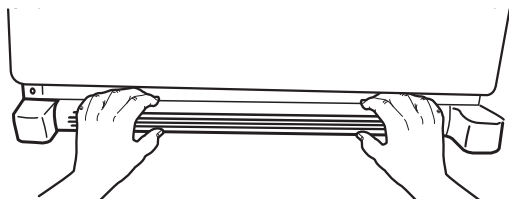


Electrical Shock Hazard

Disconnect power before removing doors.

Failure to do so can result in death or electrical shock.

1. Unplug refrigerator or disconnect power.
2. Keep the refrigerator doors closed until you are ready to lift them free from the cabinet.
NOTE: Provide additional support for the refrigerator door while the hinges are being removed. Do not depend on the door gasket magnets to hold the door in place while you are working.
3. Starting with the right-hand side door, remove the parts for the top hinge as shown in Top Hinges graphic. Lift the refrigerator door from the bottom hinge pin.
4. Remove top hinge cover from left side refrigerator door.
5. Disconnect the wiring plug located on top of the hinge by wedging a flat-blade screwdriver or your fingernail between the two sections. See Connections graphic.
6. Disconnect the water line by pulling back on the locking collar while pulling the water line out of the water line connector. See Connections graphic.
7. Remove the parts for the top hinge as shown in Top Hinges graphic. Lift the left-hand side door from the bottom hinge pin.
8. Remove the base grille. Grasp the grille firmly and pull it toward you.



9. Using a $\frac{3}{8}$ " hex wrench, remove the leveling leg brackets from the bottom of the cabinet. Keep screws for later use.

Replace Doors and Hinges

1. Assemble the parts for the top hinge as shown in Top Hinges graphic. Do not tighten the screws completely.
2. Replace the parts for the bottom hinge as shown in Bottom Hinges graphic. Tighten screws. Replace the refrigerator door.

NOTE: Provide additional support for the refrigerator door while the hinges are being moved. Do not depend on the door gasket magnets to hold the door in place while you are working.

3. Align the door so that the bottom of the refrigerator door aligns evenly with the top of the freezer drawer. Tighten all screws.
4. Reconnect the wiring plug on top of the left-hand side refrigerator door.
5. Reconnect the water line by pulling back the locking collar ring while firmly pushing the water line into the connector.
6. Check for leaks. Replace the top hinge covers.

Remove and Replace Freezer Drawer

IMPORTANT: Two people may be required to remove and replace the freezer drawer. Graphics are included later in this section.

Remove Drawer Front

1. Open the freezer drawer to full extension.
2. Loosen the four screws attaching the drawer glides to the drawer front. See Drawer Front Removal graphic.
NOTE: Loosen screws three to four turns. Keep the screws in the drawer front.
3. Lift drawer front upward and off the screws. See Drawer Front Removal graphic.

Replace Drawer Front

1. Slide the drawer glides out of the freezer compartment. Insert the screws in the top of the drawer front into the slots in the drawer brackets. See Drawer Front Replacement graphic.
2. Pull the drawer brackets toward you to position the two screws in the bottom of the drawer front into the brackets. See Drawer Front Replacement graphic.
3. Completely tighten the four screws.

Final Steps

1. Replace the base grille.

⚠ WARNING



Electrical Shock Hazard

Plug into a grounded 3 prong outlet.

Do not remove ground prong.

Do not use an adapter.

Do not use an extension cord.

Failure to follow these instructions can result in death, fire, or electrical shock.

2. Plug into a grounded 3 prong outlet.
3. Return all removable parts to doors and drawer and food to refrigerator and freezer.

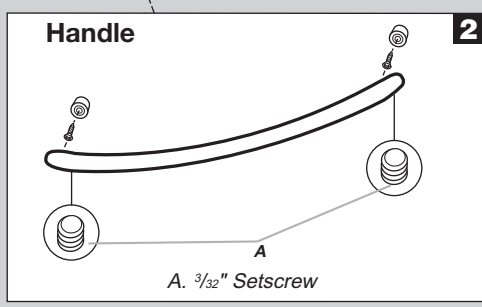
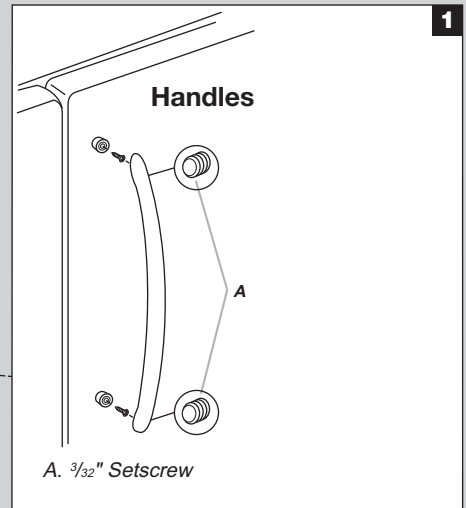
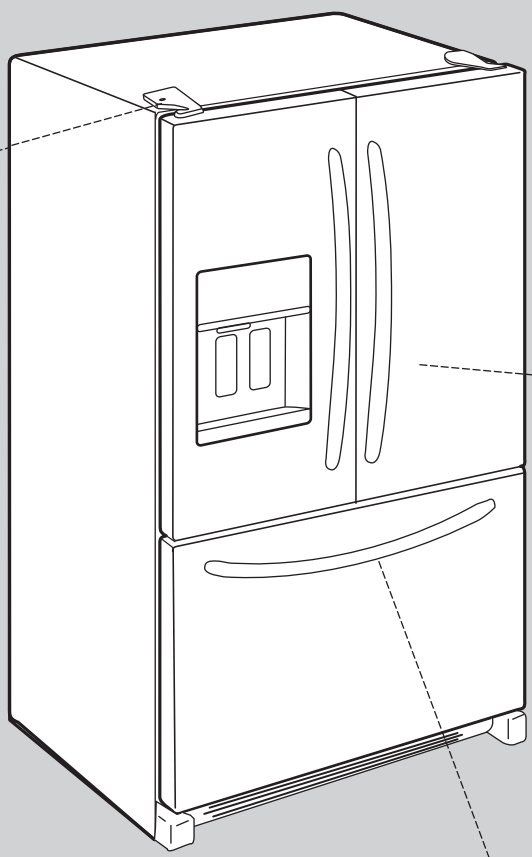
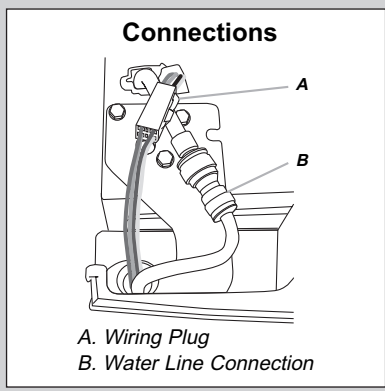
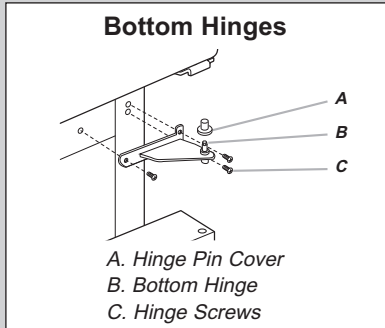
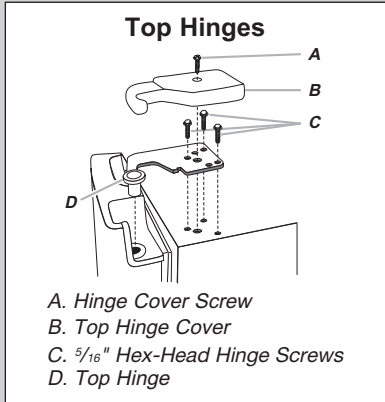


⚠ WARNING

Electrical Shock Hazard

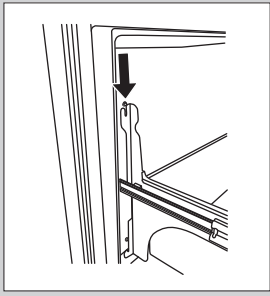
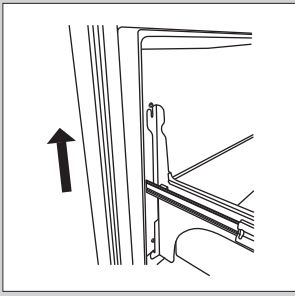
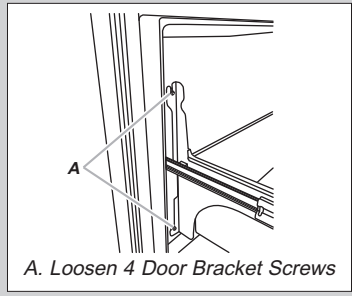
Disconnect power before removing doors.
Failure to do so can result in death or electrical shock.

Door Removal & Replacement



Drawer Front Removal

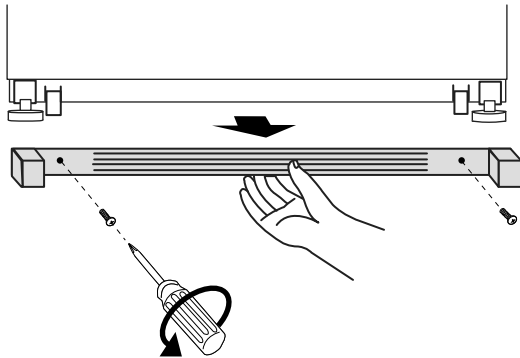
Drawer Front Replacement



Adjust the Doors

IMPORTANT:

- Your refrigerator has two adjustable, front leveling screws – one on each side of the refrigerator base. If your refrigerator seems unsteady or you want the door to close easier, use the instructions below.
 - Before moving the refrigerator, raise the leveling screws so the front rollers are touching the floor.
1. Remove the two screws fastening the base grille to the cabinet, and set the screws aside. Grasp the grille and pull it toward you.

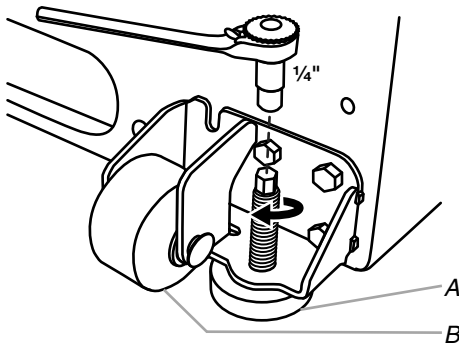


2. Raise or lower the cabinet.

Using a 1/4" hex driver, turn the leveling screw on each side to raise or lower that side of the refrigerator.

NOTE: Having someone push against the top of the refrigerator takes some weight off the leveling screws. This makes it easier to turn the screws. It may take several turns of the leveling screw to adjust the tilt of the refrigerator.

- To raise, turn the leveling screw clockwise.
- To lower, turn the leveling screw counterclockwise.



A. Leveling screw
B. Front roller

3. Open the door again to make sure that it closes as easily as you like. If not, tilt the refrigerator slightly more to the rear by turning both leveling screws clockwise. It may take several more turns, and you should turn both screws the same amount.
4. Replace the base grille.

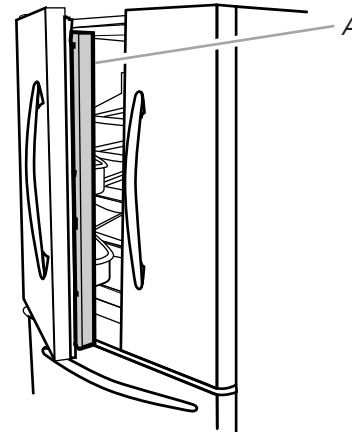
REFRIGERATOR USE

Opening and Closing Doors

There are two refrigerator compartment doors. The doors can be opened and closed either separately or together.

There is a vertically-hinged seal on the left refrigerator door.

- When the left-hand refrigerator door is opened, the hinged seal automatically folds inward so that it is out of the way.
- When both doors are closed, the hinged seal automatically forms a seal between the two doors.



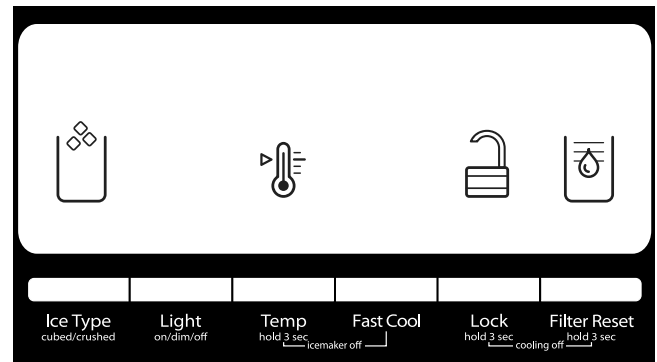
A. Hinged seal

Using the Controls

The refrigerator and freezer controls are located on the dispenser panel.

IMPORTANT: The display screen on the dispenser control panel will turn off automatically and enter “sleep” mode when the control buttons and dispenser levers have not been used for 2 minutes or more. While in “sleep” mode, the first press of a control button will only reactivate the display screen without changing any settings. After reactivation, changes to any settings can then be made. If no changes are made within 2 minutes, the display will re-enter “sleep” mode.

- Touch any control button on the dispenser panel to activate the display screen. The home screen will appear as shown.



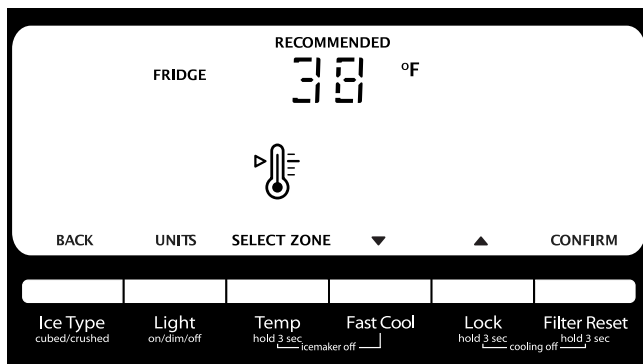
Adjusting the Controls

For your convenience, your refrigerator and freezer controls are preset at the factory. When you first install your refrigerator, make sure that the controls are still set to the “mid-settings.” The factory recommended set points are 38°F (3°C) for the refrigerator and 0°F (-18°C) for the freezer.

IMPORTANT:

- Wait 24 hours before you put food into the refrigerator. If you add food before the refrigerator has cooled completely, your food may spoil.
NOTE: Adjusting the set points to a colder than recommended setting will not cool the compartments any faster.
- If the temperature is too warm or too cold in the refrigerator or freezer, first check the air vents to be sure they are not blocked before adjusting the controls.
- The preset temperatures should be correct for normal household usage. The controls are set correctly when milk or juice is as cold as you like and when ice cream is firm.
- Wait at least 24 hours between adjustments. Recheck the temperatures before other adjustments are made.

To view and adjust the set points, press and hold the TEMP button for 3 seconds. When Adjust mode is activated, adjusting information will appear on the display screen.



NOTE: To view Celsius temperatures, press the LIGHT button when Adjust mode is activated. To return the display setting to Fahrenheit, press LIGHT again.

- When Adjust mode is activated, the display screen shows the refrigerator set point and “FRIDGE” appears.
- Press LOCK to raise the set point, or press FAST COOL to lower the set point.
- When you have finished viewing (and adjusting if desired) the refrigerator set point, press TEMP to change the display to show the freezer set point. When the zone has been changed, “FREEZER” appears on the display screen.
- Press LOCK to raise the set point, or press FAST COOL to lower the set point.
- When you have finished viewing (and adjusting if desired) both the refrigerator and freezer set points, press FILTER to save the settings.

NOTE: To exit without saving changes, press ICE TYPE at any time while in Adjust mode or allow about 60 seconds of inactivity and adjust mode will turn off automatically.

When adjusting temperature set points, use the following chart as a guide.

CONDITION:	TEMPERATURE ADJUSTMENT:
REFRIGERATOR too cold	REFRIGERATOR Setting 1° higher
REFRIGERATOR too warm	REFRIGERATOR Setting 1° lower
FREEZER too cold	FREEZER Setting 1° higher
FREEZER too warm/ too little ice	FREEZER Setting 1° lower

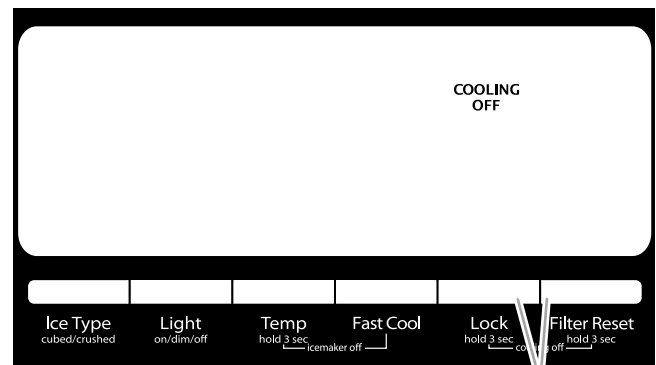
The set-point range for the refrigerator is 33°F to 45°F (0°C to 7°C). The set-point range for the freezer is -5°F to 5°F (-21°C to -15°C).

Cooling On/Off

Your refrigerator and freezer will not cool when cooling is turned off.

- To turn cooling off, press and hold the LOCK and FILTER buttons at the same time for 3 seconds. When cooling is off, “COOLING OFF” will appear on the display screen.

IMPORTANT: To avoid unintentionally locking the dispenser or changing other settings, be sure to press both buttons at exactly the same time.



A

A. Press LOCK and FILTER RESET at the same time.

Press and hold LOCK and FILTER for 3 seconds again to turn cooling back on.

Additional Features

Fast Cool

The Fast Cool feature assists with periods of high refrigerator use, full grocery loads, or temporarily warm room temperatures.

- Press FAST COOL to set the freezer and refrigerator to the lowest temperature setting. When the feature is on, the Fast Cool icon will appear on the dispenser display screen. The Fast Cool feature will remain on for 24 hours unless manually turned off.



- To manually turn off the Fast Cool feature, press FAST COOL again or adjust the refrigerator temperature set point. The Fast Cool icon will disappear when the feature is OFF.

NOTE: Setting the freezer to a colder temperature may make some foods, such as ice cream, harder.

Door Ajar Alarm

The Door Ajar Alarm feature sounds an alarm when the refrigerator or freezer door is open for 5 minutes and the product cooling is turned on. The alarm will repeat every 2 minutes. Close both doors to turn it off. The feature then resets and will reactivate when either door is left open again for 5 minutes.

NOTE: To mute the audible alarm while keeping the doors open, such as while cleaning the inside of the refrigerator, press any button on the control panel. The alarm sound will be temporarily turned off, but the Door Ajar icon will still be displayed on the dispenser control panel.



Water Filter Status Light and Filter Reset

The Filter Reset control allows you to restart the water filter status tracking feature each time you replace the water filter. See “Water Filtration System.”

- Press and hold FILTER RESET for 3 seconds or until the “Replace Filter” light turns off.

Crisper Humidity Control

You can control the amount of humidity in the moisture-sealed crisper. Depending on your model, adjust the control to any setting between FRUIT and VEGETABLES or LOW and HIGH.

FRUIT/LOW (open) for best storage of fruits and vegetables with skins.

VEGETABLES/HIGH (closed) for best storage of fresh, leafy vegetables.

Ice Maker and Ice Storage Bin

IMPORTANT:

- Flush the water system before turning on the ice maker. See “Water and Ice Dispensers.”
- The ice maker and storage bin are located in the upper left-hand side of the refrigerator compartment.

Turning the Ice Maker On/Off

The ice maker has an automatic shutoff. When the ice maker is ON, sensors will automatically stop ice production when the storage bin is full. The ice maker will remain set to ON, and ice production will resume when the bin is no longer full.

To manually turn off the ice maker, press TEMP and FAST COOL at the same time and hold for 3 seconds until the “Ice Maker Off” icon lights up. When the ice maker is set to OFF, it will stop producing ice.

Pressing and holding TEMP and FAST COOL again for 3 seconds turns on the ice maker and the “Ice Maker Off” icon disappears.

Removing and Replacing Ice Storage Bin

To Remove the Ice Storage Bin:

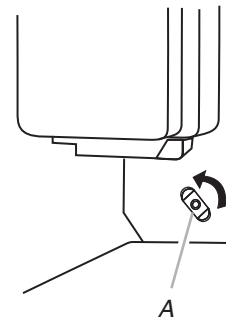
1. Hold the base of the storage bin and press the release button.
2. Pull out the storage bin.

To Replace the Ice Storage Bin:

IMPORTANT: It may be necessary to turn the auger driver, behind the ice bin, counterclockwise to properly align the ice bin with the auger driver. The ice storage bin must be locked in place for proper ice dispensing.

1. Slide the ice bin into the guide rails located on either side of the enclosure.

2. Push the ice bin in until resistance is felt. Raise the front slightly and push the ice bin in until an audible “click” is heard.



A. Auger driver

Ice Production Rate

- Allow 24 hours to produce the first batch of ice. Discard the first three batches of ice produced.
- The ice maker should produce approximately 8 to 12 batches of ice in a 24-hour period.
- To increase ice production, lower the freezer and refrigerator temperature. See “Using the Controls.” Wait 24 hours between adjustments.

NOTE: Setting the freezer to a colder temperature may make some foods, such as ice cream, harder.

Remember

- The quality of your ice will be only as good as the quality of the water supplied to your ice maker. Avoid connecting the ice maker to a softened water supply. Water softener chemicals (such as salt) can damage parts of the ice maker and lead to poor quality ice. If a softened water supply cannot be avoided, make sure the water softener is operating properly and is well maintained.
- Do not use anything sharp to break up the ice in the bin. This can cause damage to the ice bin and dispenser mechanism.
- Do not store anything in the ice storage bin.

Water and Ice Dispensers

IMPORTANT: After connecting the refrigerator to a water source or replacing the water filter, flush the water system. Use a sturdy container to depress and hold the water dispenser lever for 5 seconds, and then release it for 5 seconds. Repeat until water begins to flow. Once water begins to flow, continue depressing and releasing the dispenser lever (5 seconds on, 5 seconds off) until a total of 4 gal (15 L) has been dispensed. This will flush air from the filter and water dispensing system and prepare the water filter for use. Additional flushing may be required in some households. As air is cleared from the system, water may spurt out of the dispenser.

NOTES:

- The dispensing system will not operate when the refrigerator door is open.
- Allow 24 hours for the refrigerator to cool down and chill water.
- Allow 24 hours to produce the first batch of ice. Discard the first three batches of ice produced.
- The display screen on the dispenser control panel will turn off automatically and enter “sleep” mode when the control buttons and dispenser levers have not been used for 2 minutes or more. While in “sleep” mode, the first press of a control button will only reactivate the display screen without changing any settings. After reactivation, changes to any settings can then be made. If no changes are made within 2 minutes, the display will re-enter “sleep” mode.

The Water Dispenser

IMPORTANT: Dispense enough water every week to maintain a fresh supply.

To Dispense Water:

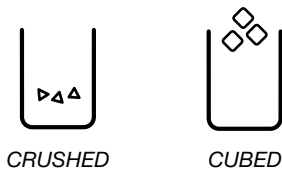
1. Press a sturdy glass against the water dispenser lever.
2. Remove the glass to stop dispensing.

The Ice Dispenser

Ice dispenses from the ice maker storage bin in the freezer when the dispenser lever is pressed. To turn off the ice maker, see “Ice Maker and Storage Bin.”

Your ice maker can produce both crushed and cubed ice. Before dispensing ice, select which type of ice you prefer by pressing the ICE TYPE button.

The display screen indicates which type of ice is selected.




For crushed ice, cubes are crushed before being dispensed. This may cause a slight delay when dispensing crushed ice. Noise from the ice crusher is normal, and pieces of ice may vary in size. When changing from crushed to cubed, a few ounces of crushed ice will be dispensed along with the first cubes.

To Dispense Ice:

1. Make sure the desired type of ice is selected. To switch between cubed and crushed, press ICE TYPE.

⚠ WARNING



Cut Hazard

Use a sturdy glass when dispensing ice.

Failure to do so can result in cuts.

2. Press a sturdy glass against the ice dispenser lever. Hold the glass close to the dispenser opening so ice does not fall outside of the glass.

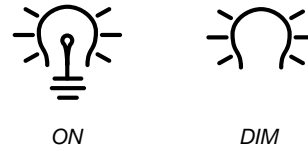
IMPORTANT: You do not need to apply a lot of pressure to the lever in order to activate the ice dispenser. Pressing hard will not make the ice dispense faster or in greater quantities.

3. Remove the glass to stop dispensing.

NOTE: Ice may continue to dispense for up to 10 seconds after removing the glass from the lever. The dispenser may continue to make noise for a few seconds after dispensing.

The Dispenser Light

When you use the dispenser, the light will automatically turn on. If you want the light to be on continuously, you may choose either ON or DIM. The display screen indicates which mode is selected.



ON: Press LIGHT to turn the dispenser light on.

DIM: Press LIGHT a second time to select DIM mode. The dispenser light will remain ON, but at a lower intensity.

OFF: Press LIGHT a third time to turn the dispenser light off.

The dispenser lights are LEDs that cannot be changed. If it appears that your dispenser lights are not working, see “Troubleshooting” for more information.

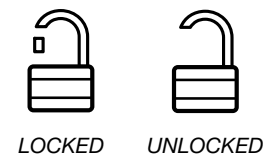
The Dispenser Lock

The dispenser can be turned off for easy cleaning or to avoid unintentional dispensing by small children and pets.

NOTE: The lock feature does not shut off power to the refrigerator, to the ice maker, or to the dispenser light. It simply deactivates the controls and dispenser levers. To turn off the ice maker, see “Ice Maker and Storage Bin.”

- Press and hold LOCK for 3 seconds to lock the dispenser.
- Press and hold LOCK for 3 seconds, a second time to unlock the dispenser.

The display screen indicates when the dispenser is locked.



Water Filtration System

The water filter is located in the upper right-hand corner of the refrigerator compartment.

Do not use with water that is microbiologically unsafe or of unknown quality without adequate disinfection before or after the system. Systems certified for cyst reduction may be used on disinfected waters that may contain filterable cysts.

Water Filter Status Light

When a water filter has been installed in the refrigerator, the water filter status lights help you know when to change your water filter.

- The water filter status icon changes will change from Normal (blue water) to Order (red waves) and “Order Filter” (orange) when 90% of the volume of water for which the filter is rated has passed through the filter OR 5 months have passed since the filter was installed.
- The “Replace Filter” (red) icon will illuminate and blink continuously during dispensing when the rated volume of water has passed through the filter OR 6 months have passed since the filter was installed. A new water filter should be installed immediately when the Replace light is illuminated.
- After 14 days at Replace Filter stage, the “Replace Filter” and “water” icons will glow (red) at all times and blink continuously during dispensing. Also, an alert chime will sound three times following dispensing.

The disposable water filter should be replaced at least every 6 months. If the water flow to the water dispenser or ice maker decreases noticeably before 6 months have passed, replace the water filter more often. To change the filter, see “Water Filtration System.”

Reset Water Filter Status

After changing the water filter, reset the water filter status. On the display screen, press and hold FILTER RESET for 3 seconds. The status light will change from Replace Filter (red) to Normal (blue water) when the system is reset.

Replacing the Water Filter

To purchase a replacement water filter, model number UKF8001AXX-200, contact your dealer or call **1-800-422-9991** in the U.S.A. or **1-800-807-6777** in Canada.

IMPORTANT: Air trapped in the water system may cause water and filter to eject. Always dispense water for at least 2 minutes before removing the filter or blue bypass cap.

1. To access the filter, press upward on the ribbed section of the water filter cover.
2. Turn filter counterclockwise to remove.
3. Remove sealing label from replacement filter and insert the filter end into the filter head.
4. Turn the filter clockwise until it stops. Snap the filter cover closed.
5. Flush the water system. See “Water and Ice Dispenser.”

NOTE: The dispenser feature may be used without a water filter installed. Your water will not be filtered. If this option is chosen, replace the filter with the blue bypass cap.

REFRIGERATOR CARE

Cleaning

WARNING



Explosion Hazard

Use nonflammable cleaner.

Failure to do so can result in death, explosion, or fire.

Both the refrigerator and freezer sections defrost automatically. However, clean both sections about once a month to avoid odor buildup. Wipe up spills immediately.

IMPORTANT:

- Because air circulates between all compartments, any odors formed in one compartment will transfer to the other. You must thoroughly clean all compartments to eliminate odors. To avoid odor transfer and drying out of food, wrap or cover foods tightly.
- Do not use abrasive or harsh cleaners, such as window sprays, scouring cleansers, flammable fluids, cleaning waxes, concentrated detergents, nail polish remover, bleaches, or cleansers containing petroleum products. Do not use paper towels, scouring pads, or other harsh cleaning tools that may scratch or damage the materials.

Clean the Interior

1. Unplug refrigerator or disconnect power.
2. Using a clean sponge or soft cloth and a mild detergent in warm water, hand wash, rinse, and dry removable parts and interior surfaces thoroughly.
3. Plug in refrigerator or reconnect power.

Clean the Touch Screen Display on the Dispenser Panel

1. Make sure the refrigerator is unplugged or the power is disconnected before wiping the screen to avoid unintentionally changing the settings.
2. Mix a solution of mild detergent in warm water. Dampen a soft, lint-free cloth with the solution and gently wipe the screen.
NOTE: Do not spray or wipe liquids directly onto the screen or over-saturate the cloth.
3. Plug in refrigerator or reconnect power.

Clean the Exterior Surfaces

1. Unplug refrigerator or disconnect power.
2. Using a clean sponge or soft cloth and a mild detergent in warm water, wash, rinse, and thoroughly dry stainless steel and painted metal exteriors.
 - To keep your stainless steel refrigerator looking like new and to remove minor scuffs or marks, it is suggested that you use the manufacturer's approved Stainless Steel Cleaner and Polish, Part Number 4396095. To order the cleaner, call **1-800-422-9991** U.S.A. or **1-800-807-6777** Canada.

IMPORTANT: This cleaner is for stainless steel parts only!

Do not allow the Stainless Steel Cleaner and Polish to come into contact with any plastic parts such as the trim pieces, dispenser covers, or door gaskets. If unintentional contact does occur, clean plastic part with a sponge and mild detergent in warm water. Dry thoroughly with a soft cloth.

3. Plug in refrigerator or reconnect power.

Clean the Condenser

There is no need for routine condenser cleaning in normal home operating environments. If the environment is particularly greasy or dusty, or there is significant pet traffic in the home, the condenser should be cleaned every 2 to 3 months to ensure maximum efficiency.

To clean the condenser:

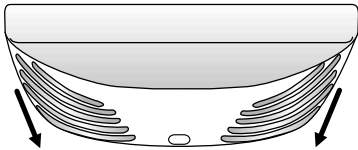
1. Unplug refrigerator or disconnect power.
2. Remove the base grille.
3. Use a vacuum cleaner with a soft brush to clean the grille, the open areas behind the grille, and the front surface area of the condenser.
4. Replace the base grille when finished.
5. Plug in refrigerator or reconnect power.

Changing the Light Bulb

IMPORTANT: The light bulbs in both the refrigerator and freezer compartments of your new refrigerator use LED technology. If the lights do not illuminate when the refrigerator and/or freezer door is opened, call for assistance or service. See “Warranty” for phone numbers.

1. Unplug the refrigerator or disconnect power.
2. Remove the light shield (on some models).

- Top of the refrigerator compartment - Slide the light shield toward the back of the compartment to release it from the light assembly.



3. Replace the burned-out LED bulb(s) with a bulb of the same size, shape, and wattage.

- To replace the burned-out LED bulb with an LED bulb, order Part Number W10565137 (3.6 watts).

NOTE: Some LED replacement bulbs are not recommended for wet/damp environments. The refrigerator and freezer compartments are considered to be wet/damp environments. If using a brand of LED bulb other than the recommended LED bulb, before installation, read and follow all instructions on the LED packaging.

- If an incandescent bulb is used to replace an LED bulb, use only incandescent bulbs for household appliances with a maximum of 40 watts.

4. Replace the light shield.
5. Plug in refrigerator or reconnect power.

TROUBLESHOOTING

First try the solutions suggested here. If you need further assistance or more recommendations that may help you avoid a service call, refer to the warranty page in this manual and scan the code with your mobile device, or visit www.whirlpool.com/product_help. In Canada, visit www.whirlpool.ca.

Contact us by mail with any questions or concerns at the address below:

In the U.S.A.:

Whirlpool Brand Home Appliances
Customer eXperience Center
553 Benson Road
Benton Harbor, MI 49022-2692

In Canada:

Whirlpool Brand Home Appliances
Customer eXperience Centre
200 – 6750 Century Ave.
Mississauga, Ontario L5N 0B7

Please include a daytime phone number in your correspondence.

Refrigerator Operation

The refrigerator will not operate

⚠ WARNING



Electrical Shock Hazard

Plug into a grounded 3 prong outlet.

Do not remove ground prong.

Do not use an adapter.

Do not use an extension cord.

Failure to follow these instructions can result in death, fire, or electrical shock.

- **Power cord unplugged?** Plug into a grounded 3 prong outlet.
- **Is outlet working?** Plug in a lamp to see if the outlet is working.
- **Household fuse blown or circuit breaker tripped?** Replace the fuse or reset the circuit breaker. If the problem continues, call an electrician.
- **Are controls on?** Make sure the refrigerator controls are ON. See “Using the Controls.”
- **New installation?** Allow 24 hours following installation for the refrigerator to cool completely.

NOTE: Adjusting the temperature controls to coldest setting will not cool either compartment more quickly.

The motor seems to run too much

Your new refrigerator may run longer than your old one due to its high-efficiency compressor and fans. The unit may run even longer if the room is warm, a large food load is added, doors are opened often, or if the doors have been left open.

The refrigerator seems noisy

Refrigerator noise has been reduced over the years. Due to this reduction, you may hear intermittent noises from your new refrigerator that you did not notice from your old model. Below are listed some normal sounds with explanations.

- **Buzzing** - heard when the water valve opens to fill the ice maker
- **Pulsating** - fans/compressor adjusting to optimize performance
- **Hissing/Rattling** - flow of refrigerant, movement of water lines, or from items placed on top of the refrigerator
- **Sizzling/Gurgling** - water dripping on the heater during defrost cycle
- **Popping** - contraction/expansion of inside walls, especially during initial cool-down
- **Water running** - may be heard when ice melts during the Defrost cycle and water runs into the drain pan
- **Creaking/Cracking** - occurs as ice is being ejected from the ice maker mold

The doors will not close completely

- **Door blocked open?** Move food packages away from door.
- **Bin or shelf in the way?** Push bin or shelf back into the correct position.

The doors are difficult to open

WARNING



Explosion Hazard

Use nonflammable cleaner.

Failure to do so can result in death, explosion, or fire.

- **Gaskets dirty or sticky?** Clean gaskets and contact surfaces with mild soap and warm water. Rinse and dry with soft cloth.

Temperature and Moisture

Temperature is too warm

- **New installation?** Allow 24 hours following installation for the refrigerator to cool completely.
- **Door(s) opened often or left open?** Allows warm air to enter refrigerator. Minimize door openings and keep doors fully closed.
- **Large load of food added?** Allow several hours for refrigerator to return to normal temperature.
- **Controls set correctly for the surrounding conditions?** Adjust the controls a setting colder. Check temperature in 24 hours. See “Using the Controls.”

Temperature is too cold in refrigerator

- **Refrigerator air vent blocked?** If the air vent located in the top, left, rear corner of the refrigerator compartment is blocked by items placed directly in front of it, the refrigerator will get too cold. Move items away from the air vent.
- **Ice storage bin in correct position?** See “Ice Maker and Ice Storage Bin.”
- **Controls set correctly for the surrounding conditions?** Adjust the controls a setting warmer. Check temperature in 24 hours. See “Using the Controls.”

There is interior moisture buildup

NOTE: Some moisture buildup is normal.

- **Humid room?** Contributes to moisture buildup.
- **Door(s) opened often or left open?** Allows humid air to enter refrigerator. Minimize door openings and keep doors fully closed.

Ice and Water

The ice maker is not producing ice or not enough ice

- **Refrigerator connected to a water supply and the supply shut-off valve turned on?** Connect refrigerator to water supply and turn water shut-off valve fully open.
- **Kink in the water source line?** A kink in the line can reduce water flow. Straighten the water source line.
- **Ice maker turned on?** Make sure ice maker is ON. See “Ice Maker and Ice Storage Bin.”

- **New installation?** Wait 24 hours after ice maker installation for ice production to begin. Wait 72 hours for full ice production.
- **Refrigerator door closed completely?** Close the door firmly. If it does not close completely, see “The doors will not close completely.”
- **Large amount of ice recently removed?** Allow 24 hours for ice maker to produce more ice.
- **Ice cube jammed in the ice maker ejector arm?** Remove ice from the ejector arm with a plastic utensil.
- **Water filter installed on the refrigerator?** Remove filter and operate ice maker. If ice volume improves, then the filter may be clogged or incorrectly installed. Replace filter or reinstall it correctly.
- **Reverse osmosis water filtration system connected to your cold water supply?** This can decrease water pressure. See “Water Supply Requirements.”

The ice cubes are hollow or small

NOTE: This is an indication of low water pressure.

- **Water shut-off valve not fully open?** Turn the water shut-off valve fully open.
- **Kink in the water source line?** A kink in the line can reduce water flow. Straighten the water source line.
- **Water filter installed on the refrigerator?** Remove filter and operate ice maker. If ice quality improves, then the filter may be clogged or incorrectly installed. Replace filter or reinstall it correctly.
- **Reverse osmosis water filtration system connected to your cold water supply?** This can decrease water pressure. See “Water Supply Requirements.”
- **Questions remain regarding water pressure?** Call a licensed, qualified plumber.

Off-taste, odor, or gray color in the ice

- **New plumbing connections?** New plumbing connections can cause discolored or off-flavored ice.
- **Ice stored too long?** Discard ice. Wash ice bin. Allow 24 hours for ice maker to make new ice.
- **Odor transfer from food?** Use airtight, moisture proof packaging to store food.
- **Are there minerals (such as sulfur) in the water?** A water filter may need to be installed to remove the minerals.
- **Water filter installed on the refrigerator?** Gray or dark discoloration in ice indicates that the water filtration system needs additional flushing. Flush the water system before using a new water filter. Replace water filter when indicated. See “Water Filtration System.”

The water and ice dispenser will not operate properly

- **Refrigerator connected to a water supply and the supply shut-off valve turned on?** Connect refrigerator to water supply and turn water shut-off valve fully open.
- **Kink in the water source line?** Straighten the water source line.
- **New installation?** Flush and fill the water system. See “Water and Ice Dispensers.”
- **Is the water pressure at least 35 psi (241 kPa)?** The water pressure to the home determines the flow from the dispenser. See “Water Supply Requirements.”
- **Water filter installed on the refrigerator?** Remove filter and operate dispenser. If water flow increases, the filter may be clogged or incorrectly installed. Replace filter or reinstall it correctly.
- **Water dispenser measured fill feature is not dispensing an accurate amount of water?** Calibrate the water dispenser. See “Water and Ice Dispensers.”
- **Refrigerator door closed completely?** Close the door firmly. If it does not close completely, see “The doors will not close completely.”
- **Recently removed the doors?** Make sure the water dispenser wire/tube assembly has been properly reconnected at the top of the refrigerator door. See “Refrigerator Doors and Drawer.”
- **Reverse osmosis water filtration system connected to your cold water supply?** This can decrease water pressure. See “Water Supply Requirements.”

Water is leaking from the dispenser system

NOTE: One or two drops of water after dispensing is normal.

- **Glass not being held under the dispenser long enough?** Hold the glass under the dispenser 2 to 3 seconds after releasing the dispenser lever.
- **New installation?** Flush the water system. See “Water and Ice Dispensers.”
- **Recently changed water filter?** Flush the water system. See “Water and Ice Dispensers.”

Water from the dispenser is warm

NOTE: Water from the dispenser is only chilled to 50°F (10°C).

- **New installation?** Allow 24 hours after installation for the water supply to cool completely.
- **Recently dispensed large amount of water?** Allow 24 hours for water supply to cool completely.
- **Water not been recently dispensed?** The first glass of water may not be cool. Discard the first glass of water.
- **Refrigerator connected to a cold water pipe?** Make sure the refrigerator is connected to a cold water pipe. See “Water Supply Requirements.”

PERFORMANCE DATA SHEET

Water Filtration System Model UKF8001AXX-200/UKF8001 Capacity 200 Gallons (757 Liters)



System tested and certified by NSF International against NSF/ANSI Standard 42, 53, 401 and CSA B483.1 for the reduction of contaminants specified on the Performance Data Sheet.

This system has been tested according to NSF/ANSI Standards 42, 53, 401 and CSA B483.1 for the reduction of the substances listed below. The concentration of the indicated substances in water entering the system was reduced to a concentration less than or equal to the permissible limit for water leaving the system, as specified in NSF/ANSI Standards 42, 53, 401 and CSA B483.1.

Substance Reduction	Influent Challenge Concentration	Maximum Permissible Product Water Concentration	Average% Reduction
Aesthetic Effects			
Chlorine Taste/Odor	2.0 mg/L ± 10%	50% reduction	97.6%
Particulate Class I*	At least 10,000 particles/mL	85% reduction	98.8%
Contaminant Reduction	Influent Challenge Concentration	Maximum Permissible Product Water Concentration	Average% Reduction
Lead***: @ pH 6.5 / @ pH 8.5	0.150 mg/L ± 10%	0.010 mg/L	99.3% / 99.3%
Mercury: @ pH 6.5 / @ pH 8.5	0.006 mg/L ± 10%	0.002 mg/L	95.1% / 95.0%
Asbestos	10 ⁷ to 10 ⁸ fibers/L ^{††}	>99%	>99%
Cysts†	50,000/L min.	>99.95%	99.99%
Turbidity	11 NTU ± 10%	0.5 NTU	98.1%
Atrazine	0.009 mg/L ± 10%	0.003 mg/L	94.4%
Benzene	0.015 mg/L ± 10%	0.005 mg/L	96.6%
Carbofuran	0.080 mg/L ± 10%	0.040 mg/L	86.8%
Lindane	0.002 mg/L ± 10%	0.0002 mg/L	98.8%
P-Dichlorobenzene	0.225 mg/L ± 10%	0.075 mg/L	99.7%
Tetrachloroethylene	0.015 mg/L ± 10%	0.005 mg/L	96.0%
Toxaphene	0.015 mg/L ± 10%	0.003 mg/L	93.8%
Atenolol	200 ± 20%	30 ng/L	>95.9%
Endrin	0.006 mg/L ± 10%	0.002 mg/L	96.7%
Ethylbenzene	2.1 mg/L ± 10%	0.7 mg/L	99.9%
o-Dichlorobenzene	1.8 mg/L ± 10%	0.6 mg/L	99.9%
2,4 - D	0.210 mg/L ± 10%	0.07 mg/L	97%
Carbamazepine	1400 ± 20%	200 ng/L	>98.6%
DEET	1400 ± 20%	200 ng/L	>98.5%
Linuron	140 ± 20%	20 ng/L	>96.8%
Meprobamate	400 ± 20%	60 ng/L	94.6%
Metolachor	1400 ± 20%	200 ng/L	98.3%
Trimethoprim	140 ± 20%	20 ng/L	>96.4%
Bisphenol A	2000 ± 20%	300 ng/L	99.4%
Estrone	140 ± 20%	20 ng/L	>96.7%
Nonylphenol	1400 ± 20%	200 ng/L	>98.9%
Ibuprofen	400 ± 20%	60 ng/L	92.9%
Naproxen	140 ± 20%	20 ng/L	>96.3%
Phenytoin	200 ± 20%	30 ng/L	>94.8%

Test Parameters: pH = 7.5 ± 0.5 unless otherwise noted. Flow = 0.78 gpm (2.95 Lpm). Pressure = 60 psig (413.7 kPa). Temp. = 68°F to 71.6°F (20°C to 22°C). Rated service capacity = 200 gallons (757 liters).

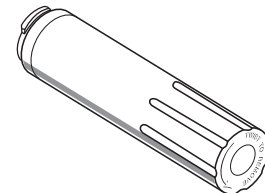
The compounds certified under NSF 401 have been deemed as "emerging compounds/incidental contaminants." Emerging compounds/incidental contaminants are those compounds that have been detected in drinking water supplies at trace levels. While occurring at only trace levels, these compounds can affect the public acceptance/perception of drinking water quality.

- It is important that operational, maintenance, and filter replacement requirements be carried out for the product to perform as advertised. Property damage can occur if all instructions are not followed.
- The disposable cartridge must be changed at least every 6 months.
- Use replacement filter UKF8001, Part #EDR4RXD1/EDR4RXD1B. 2015 suggested retail price of \$49.99 U.S.A./\$49.95 Canada. Prices are subject to change without notice.
- The filter monitor system measures the amount of water that passes through the filter and alerts you when it is time to replace the filter. To learn how to check the water filter status, see "Using the Controls" or "Water Filtration System" in the User Instructions or User Guide.
- After changing the water filter, flush the water system. See "Water and Ice Dispensers" or "Water Dispenser" in the User Instructions or User Guide.
- These contaminants are not necessarily in your water supply. While testing was performed under standard laboratory conditions, actual performance may vary.
- The product is for cold water use only.
- The water system must be installed in compliance with state and local laws and regulations.

- Do not use with water that is microbiologically unsafe or of unknown quality without adequate disinfection before or after the system. Systems certified for cyst reduction may be used on disinfected waters that may contain filterable cysts. EPA Est. No. 10350-MN-005.
- Refer to the "Warranty" section (in the User Instructions or User Guide) for the Manufacturer's limited warranty, name and telephone number.

Application Guidelines/Water Supply Parameters

Water Supply	Potable City or Well
Water Pressure	35 - 120 psi (241 - 827 kPa)
Water Temperature	33° - 100°F (1° - 38°C)
Service Flow Rate	0.78 gpm (2.95 L/min.) @ 60 psi



*Class I particle size: >0.5 to <1 um

***Compliant for Lead reduction requirements under NSF/ANSI Standard 53 as tested by Pace Analytical Services, Inc.

†Based on the use of *Cryptosporidium parvum* oocysts

††Fibers greater than 10 um in length

© NSF is a registered trademark of NSF International.

WHIRLPOOL® MAJOR APPLIANCE LIMITED WARRANTY

ATTACH YOUR RECEIPT HERE. PROOF OF PURCHASE IS REQUIRED TO OBTAIN WARRANTY SERVICE.

Please have the following information available when you call the Customer eXperience Center:

- Name, address and telephone number
- Model number and serial number
- A clear, detailed description of the problem
- Proof of purchase including dealer or retailer name and address

IF YOU NEED SERVICE:

1. Before contacting us to arrange service, please determine whether your product requires repair. Some questions can be addressed without service. Please take a few minutes to review the Troubleshooting or Problem Solver section of the Use and Care Guide, scan the QR code on the right to access additional resources, or visit www.whirlpool.com/product_help.
2. All warranty service is provided exclusively by our authorized Whirlpool Service Providers. In the U.S. and Canada, direct all requests for warranty service to:

Whirlpool Customer eXperience Center

In the U.S.A., call 1-800-253-1301. In Canada, call 1-800-807-6777.

If outside the 50 United States or Canada, contact your authorized Whirlpool dealer to determine whether another warranty applies.



www.whirlpool.com/product_help

ONE YEAR LIMITED WARRANTY

WHAT IS COVERED

For one year from the date of purchase, when this major appliance is installed, operated and maintained according to instructions attached to or furnished with the product, Whirlpool Corporation or Whirlpool Canada LP (hereafter "Whirlpool") will pay for Factory Specified Replacement Parts and repair labor to correct defects in materials or workmanship that existed when this major appliance was purchased, or at its sole discretion replace the product. In the event of product replacement, your appliance will be warranted for the remaining term of the original unit's warranty period.

YOUR SOLE AND EXCLUSIVE REMEDY UNDER THIS LIMITED WARRANTY SHALL BE PRODUCT REPAIR AS PROVIDED HEREIN. Service must be provided by a Whirlpool designated service company. This limited warranty is valid only in the United States or Canada and applies only when the major appliance is used in the country in which it was purchased. This limited warranty is effective from the date of original consumer purchase. Proof of original purchase date is required to obtain service under this limited warranty.

WHAT IS NOT COVERED

1. Commercial, non-residential, multiple-family use, or use inconsistent with published user, operator or installation instructions.
2. In-home instruction on how to use your product.
3. Service to correct improper product maintenance or installation, installation not in accordance with electrical or plumbing codes or correction of household electrical or plumbing (i.e. house wiring, fuses or water inlet hoses).
4. Consumable parts (i.e. light bulbs, batteries, air or water filters, preservation solutions, etc.).
5. Defects or damage caused by the use of non-genuine Whirlpool parts or accessories.
6. Conversion of products from natural gas or L.P. gas.
7. Damage from accident, misuse, abuse, fire, floods, acts of God or use with products not approved by Whirlpool.
8. Repairs to parts or systems to correct product damage or defects caused by unauthorized service, alteration or modification of the appliance.
9. Cosmetic damage including scratches, dents, chips, and other damage to the appliance finishes unless such damage results from defects in materials and workmanship and is reported to Whirlpool within 30 days.
10. Discoloration, rust or oxidation of surfaces resulting from caustic or corrosive environments including but not limited to high salt concentrations, high moisture or humidity or exposure to chemicals.
11. Food or medicine loss due to product failure.
12. Pick-up or delivery. This product is intended for in-home repair.
13. Travel or transportation expenses for service in remote locations where an authorized Whirlpool servicer is not available.
14. Removal or reinstallation of inaccessible appliances or built-in fixtures (i.e. trim, decorative panels, flooring, cabinetry, islands, countertops, drywall, etc.) that interfere with servicing, removal or replacement of the product.
15. Service or parts for appliances with original model/serial numbers removed, altered or not easily determined.

The cost of repair or replacement under these excluded circumstances shall be borne by the customer.

DISCLAIMER OF IMPLIED WARRANTIES

IMPLIED WARRANTIES, INCLUDING ANY IMPLIED WARRANTY OF MERCHANTABILITY OR IMPLIED WARRANTY OF FITNESS FOR A PARTICULAR PURPOSE, ARE LIMITED TO ONE YEAR OR THE SHORTEST PERIOD ALLOWED BY LAW. Some states and provinces do not allow limitations on the duration of implied warranties of merchantability or fitness, so this limitation may not apply to you. This warranty gives you specific legal rights, and you also may have other rights that vary from state to state or province to province.

DISCLAIMER OF REPRESENTATIONS OUTSIDE OF WARRANTY

Whirlpool makes no representations about the quality, durability, or need for service or repair of this major appliance other than the representations contained in this warranty. If you want a longer or more comprehensive warranty than the limited warranty that comes with this major appliance, you should ask Whirlpool or your retailer about buying an extended warranty.

LIMITATION OF REMEDIES; EXCLUSION OF INCIDENTAL AND CONSEQUENTIAL DAMAGES

YOUR SOLE AND EXCLUSIVE REMEDY UNDER THIS LIMITED WARRANTY SHALL BE PRODUCT REPAIR AS PROVIDED HEREIN. WHIRLPOOL SHALL NOT BE LIABLE FOR INCIDENTAL OR CONSEQUENTIAL DAMAGES. Some states and provinces do not allow the exclusion or limitation of incidental or consequential damages, so these limitations and exclusions may not apply to you. This warranty gives you specific legal rights, and you also may have other rights that vary from state to state or province to province.



INSTRUCCIONES PARA EL USUARIO DEL REFRIGERADOR

LE AGRADECEMOS la compra de este producto de alta calidad. Registre su refrigerador en www.whirlpool.com. En Canadá, registre su refrigerador en www.whirlpool.ca.

Para referencia futura, tome nota del número de modelo y de serie del producto, ubicados en la pared interior del compartimiento del refrigerador.

Número de modelo _____ Número de serie _____

SEGURIDAD DEL REFRIGERADOR

Su seguridad y la seguridad de los demás es muy importante.

Hemos incluido muchos mensajes importantes de seguridad en este manual y en su electrodoméstico. Lea y obedezca siempre todos los mensajes de seguridad.



Este es el símbolo de alerta de seguridad.

Este símbolo le llama la atención sobre peligros potenciales que pueden ocasionar la muerte o una lesión a usted y a los demás.

Todos los mensajes de seguridad irán a continuación del símbolo de advertencia de seguridad y de la palabra "PELIGRO" o "ADVERTENCIA". Estas palabras significan:

 **PELIGRO**

Si no sigue las instrucciones de inmediato, usted puede morir o sufrir una lesión grave.

 **ADVERTENCIA**

Si no sigue las instrucciones, usted puede morir o sufrir una lesión grave.

Todos los mensajes de seguridad le dirán el peligro potencial, le dirán cómo reducir las posibilidades de sufrir una lesión y lo que puede suceder si no se siguen las instrucciones.

INSTRUCCIONES IMPORTANTES DE SEGURIDAD

ADVERTENCIA: Para reducir el riesgo de incendio, choque eléctrico, o lesiones personales al usar su refrigerador siga estas precauciones básicas:

- Conecte a un contacto de pared de conexión a tierra de 3 terminales.
- No use un adaptador.
- No quite la terminal de conexión a tierra.
- No use un cable eléctrico de extensión.
- Desconecte el suministro de energía antes de darle servicio.
- Vuelva a colocar todos los componentes y paneles antes de hacerlo funcionar.
- Remueva las puertas de su refrigerador viejo.
- Use un limpiador no inflamable.
- Mantenga los materiales y vapores inflamables, tales como gasolina, alejados del refrigerador.
- Use dos o más personas para mover e instalar el refrigerador.
- Desconecte el suministro de energía antes de instalar la fábrica de hielo (en aquellos modelos que incluyen el juego de instalación de la fábrica de hielo).
- Use un vaso resistente para recibir hielo del despachador (en algunos modelos).
- No golpee las puertas de vidrio del refrigerador (en algunos modelos).

CONSERVAR ESTAS INSTRUCCIONES

Advertencias de la Proposición 65 del estado de California:

ADVERTENCIA: Este producto contiene una o más sustancias químicas identificadas por el estado de California como causantes de cáncer.

ADVERTENCIA: Este producto contiene una o más sustancias químicas identificadas por el estado de California como causantes de defectos congénitos o algún otro tipo de daños en la función reproductora.

Cómo deshacerse adecuadamente de su refrigerador viejo

⚠️ ADVERTENCIA

Peligro de Asfixia

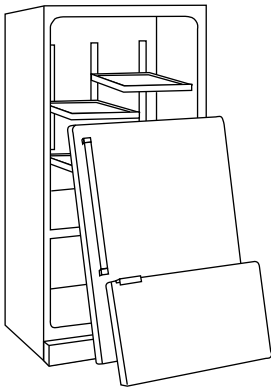
Remueva las puertas de su refrigerador viejo.

No seguir esta instrucción puede ocasionar la muerte o daño al cerebro.

IMPORTANTE: El atrapamiento y asfixia de niños no es un problema del pasado. Los refrigeradores tirados y abandonados son un peligro, aún si van a quedar ahí “por unos pocos días”. Si Ud. está por deshacerse de su refrigerador viejo, por favor siga las instrucciones que se dan a continuación para prevenir accidentes.

Antes de tirar su viejo refrigerador o congelador:

- Saque las puertas.
- Deje los estantes en su lugar, así los niños no pueden meterse adentro con facilidad.



Información importante para saber acerca del desecho de refrigerantes:

Deshágase del refrigerador siguiendo los reglamentos federales y locales. Los refrigerantes deberán ser evacuados por un técnico certificado en refrigeración por EPA (Agencia de protección del medioambiente) según los procedimientos establecidos.

INSTRUCCIONES DE INSTALACIÓN

Desempaque el refrigerador

⚠️ ADVERTENCIA

Peligro de Peso Excesivo

Use dos o más personas para mover e instalar el refrigerador.

No seguir esta instrucción puede ocasionar una lesión en la espalda u otro tipo de lesiones.

Cómo quitar los materiales de empaque

- Quite los restos de cinta y goma de las superficies de su refrigerador antes de encenderlo. Frote un poco de detergente líquido para vajillas sobre el adhesivo con los dedos. Limpie con agua tibia y seque.
- No use instrumentos filosos, alcohol para fricciones, líquidos inflamables o productos de limpieza abrasivos para eliminar los restos de cinta o goma. Estos productos pueden dañar la superficie de su refrigerador. Para más información, vea “Seguridad del refrigerador”.
- Deshágase de todos los materiales de embalaje o recíclelos.

Cómo mover su refrigerador:

Su refrigerador es pesado. Cuando mueva el refrigerador para limpiarlo o para darle servicio, cerciórese de cubrir el piso con cartón o madera para evitar daños en el mismo. Al mover el refrigerador, siempre tire directamente hacia afuera. No menee el refrigerador de lado a lado ni lo haga “caminar” cuando lo trate de mover ya que podría dañar el piso.

Limpieza antes del uso

Una vez que usted haya quitado todos los materiales de empaque, limpie el interior de su refrigerador antes de usarlo. Vea las instrucciones de limpieza en "Cuidado de su refrigerador".

Información importante para saber acerca de los estantes y tapas de vidrio:

No limpie los estantes y tapas de vidrio con agua caliente mientras están fríos. Los estantes y tapas pueden romperse si se exponen a cambios bruscos de temperatura o impacto, como sería un golpe brusco. El vidrio templado se ha diseñado para hacerse añicos. Esto es normal. Los estantes y tapas de vidrio son muy pesados. Use ambas manos al sacarlos para evitar que se caigan.

Requisitos de ubicación

⚠ ADVERTENCIA



Peligro de Explosión

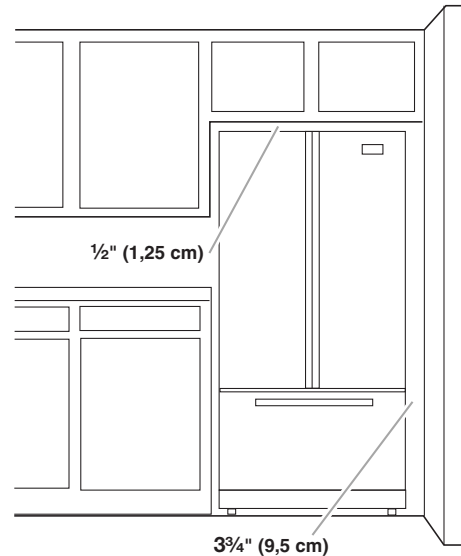
Mantenga los materiales y vapores inflamables, tales como gasolina, alejados del refrigerador.

No seguir esta instrucción puede ocasionar la muerte, explosión, o incendio.

IMPORTANTE: Este refrigerador ha sido diseñado para usarse solamente en el interior del hogar.

Para asegurar la adecuada ventilación de su refrigerador, deje un espacio de ½" (1,25 cm) a cada lado y por encima. Deje un espacio de 1" (2,54 cm) detrás del refrigerador. Si su refrigerador tiene fábrica de hielo, asegúrese que hay espacio adicional atrás para las conexiones de la línea de agua. Cuando instale el refrigerador próximo a una pared fija, deje un espacio mínimo de ¾" (9,5 cm) entre el refrigerador y la pared, para permitir que la puerta se abra bien.

NOTA: Este refrigerador ha sido diseñado para usarse en un lugar en donde los rangos de temperatura varíen entre un mínimo de 55°F (13°C) y un máximo de 110°F (43°C). Para un óptimo rendimiento, el rango preferido de temperatura de la habitación (que reduce el uso de electricidad y provee un enfriamiento superior) es entre 60°F (15°C) y 90°F (32°C). No se recomienda instalar el refrigerador cerca de una fuente de calor, como puede ser un horno o un radiador.



Requisitos eléctricos

⚠ ADVERTENCIA



Peligro de Choque Eléctrico

Conecte a un contacto de pared de conexión a tierra de 3 terminales.

No quite la terminal de conexión a tierra.

No use un adaptador.

No use un cable eléctrico de extensión.

No seguir estas instrucciones puede ocasionar la muerte, incendio o choque eléctrico.

Antes de mover el refrigerador a su posición definitiva, es importante asegurarse que Ud. tiene la conexión eléctrica adecuada.

Método de conexión a tierra recomendado

Se requiere una fuente de energía eléctrica de 115 Voltios, 60 Hz., CA solamente y con fusibles de 15 ó 20 amperios, debidamente conectada a tierra. Se recomienda que se use un circuito separado que preste servicio sólo a su refrigerador y accesorios aprobados. Use un tomacorriente que no se pueda apagar con un interruptor. No use un cable eléctrico de extensión.

NOTA: Antes de realizar cualquier tipo de instalación, limpie o de quite un foco de luz, APAGUE el enfriamiento (Cooling OFF), y luego desconecte el refrigerador de la fuente de energía. Cuando Ud. haya terminado, reconecte el refrigerador a la fuente de energía eléctrica y ENCIENDA el enfriamiento (Cooling ON). Vea "Uso de los controles".

Requisitos del suministro de agua

Reúna las herramientas y piezas necesarias antes de comenzar la instalación. Lea y siga las instrucciones provistas con cualquiera de las herramientas enlistadas aquí.

HERRAMIENTAS NECESARIAS:

- Destornillador de hoja plana
- Llave de tuercas de 1/4"
- Llaves de boca de 7/16" y 1/2" o dos llaves ajustables
- Broca de 1/4"
- Taladro inalámbrico

IMPORTANTE:

- Todas las instalaciones deben hacerse de acuerdo a los requisitos locales de plomería.
- No use una válvula perforadora o una válvula de montura de 3/16" (4,76 mm), la cual reduce el flujo de agua y se obstruye con más facilidad.
- Use tubería de cobre y revise si hay fugas. Instale la tubería de cobre sólo en áreas donde la temperatura vaya a permanecer por encima del punto de congelación.
- Para modelos con filtros de agua, el filtro de agua desechable deberá reemplazarse por lo menos cada 6 meses.

Presión del agua

Se necesita un suministro de agua fría con presión de agua entre 35 y 120 lbs/pulg² (241 y 827 kPa) para hacer funcionar el despachador de agua y la fábrica de hielo. Si tiene preguntas acerca de la presión del agua, llame a un plomero competente autorizado.

Suministro de agua por ósmosis inversa

IMPORTANTE: La presión del suministro de agua que sale de un sistema de ósmosis inversa y va a la válvula de entrada de agua del refrigerador necesitará ser entre 35 y 120 lbs/pulg² (241 y 827 kPa).

Si se conecta un sistema de filtración de agua de ósmosis inversa al suministro de agua fría, la presión de agua al sistema de ósmosis inversa necesitará ser de un mínimo de 40 a 60 lbs/pulg² (276 a 414 kPa).

Si la presión de agua hacia el sistema de ósmosis inversa es menor de 40 a 60 lbs/pulg² (276 a 414 kPa):

- Verifique si el filtro de sedimentos en el sistema de ósmosis inversa está bloqueado. Reemplácelo si fuera necesario.
- Deje que se vuelva a llenar el tanque de almacenaje del sistema de ósmosis inversa después del uso intenso.
- Si su refrigerador tiene un filtro de agua, se podrá reducir la presión aún más si se usa en conjunto con un sistema de ósmosis inversa. Saque el filtro de agua. Vea "Sistema de filtración de agua".

Si tiene preguntas acerca de la presión del agua, llame a un plomero competente autorizado.

Conexión del suministro de agua

Lea todas las instrucciones antes de comenzar.

IMPORTANTE:

- Las instalaciones de plomería deben efectuarse de conformidad con el Código de plomería internacional y los códigos y ordenanzas de plomería locales.
- El tubo de agua gris en la parte posterior del refrigerador (que se utiliza para hacer la conexión a la línea de agua de la casa) es una tubería de plástico PEX (polietileno reticulado). Son aceptables las conexiones de tuberías de cobre y PEX desde la línea de agua de la casa al refrigerador y ayudarán a evitar que el agua y el hielo tengan mal olor o sabor. Revise si hay fugas.

Si se utiliza una tubería PEX en lugar de un tubería de cobre, recomendamos los siguientes números de pieza de Whirlpool:

W10505928RP (PEX recubierto de 7 pies [2,14 m]),
8212547RP (PEX de 5 pies [1,52 m]), o
W10267701RP (PEX de 25 pies [7,62 m]).

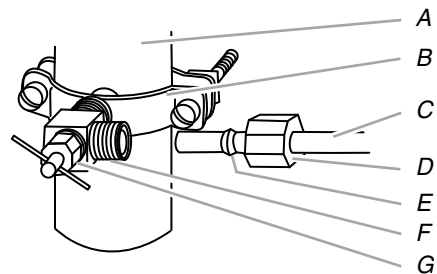
- Instale la tubería sólo en áreas donde las temperaturas permanezcan por encima del punto de congelación.
- Si enciende el refrigerador antes de conectar la línea de agua, apague la fábrica de hielo para evitar el ruido excesivo o daños en la válvula de agua.

Conexión a la línea de agua

1. Desenchufe el refrigerador o desconecte el suministro de energía.
2. CIERRE el suministro principal de agua. Abra la llave de agua más cercana el tiempo suficiente para que la tubería de agua se vacíe.
3. Busque una tubería vertical de agua fría de 1/2" a 1 1/4" (12,7 mm a 31,8 mm) cercana al refrigerador.

IMPORTANTE:

- Asegúrese de que sea una tubería de agua fría.
 - Una tubería horizontal funcionará, pero debe seguirse el procedimiento indicado a continuación: taladre por el lado de arriba de la tubería, no por debajo. Esto ayudará a mantener el agua alejada del taladro. Esto también evita que se acumule el sedimento normal en la válvula.
4. Determine la longitud de la tubería de cobre que necesite. Mida desde la conexión de la parte baja trasera derecha del refrigerador hasta la tubería de agua. Agregue 7 pies (2,1 m) para poder mover el refrigerador para limpiarlo. Use tubería de cobre de 3/4" (6,35 mm) de diámetro externo. Asegúrese que ambos extremos de la tubería de cobre están cortados a escuadra.
 5. Usando un taladro inalámbrico, haga un orificio de 1/4" en la tubería de agua fría que usted eligió.



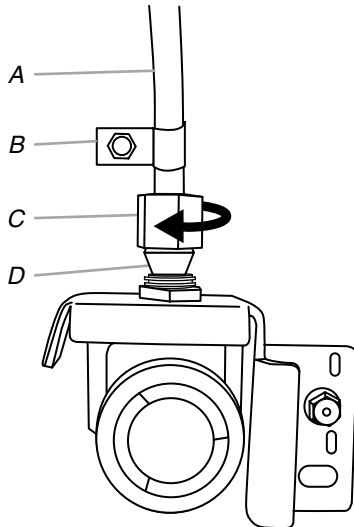
- A. Tubería de agua fría
- B. Abrazadera para tubería
- C. Tubería de cobre
- D. Tuerca de compresión
- E. Manga de compresión
- F. Válvula de cierre
- G. Tuerca de presión

6. Afiance la válvula de cierre a la tubería de agua fría con la abrazadera para tubería. Asegúrese que el extremo de salida esté firmemente insertado en el orificio taladrado de 1/4" en la tubería de agua y que la arandela esté por debajo de la abrazadera para tubería. Apriete la tuerca de presión. Apriete los tornillos de la abrazadera para tubería lentamente y en forma pareja de manera que la arandela provea un cierre hermético. No apriete demasiado.
7. Deslice la manga de compresión y la tuerca de compresión sobre la tubería de cobre como se muestra. Inserte el extremo de la tubería en el extremo de salida de forma recta hasta donde sea posible. Atornille la tuerca de compresión en el extremo de salida usando la llave ajustable. No apriete demasiado porque se puede quebrar la tubería de cobre.

- Coloque el extremo libre de la tubería en un recipiente o fregadero y ABRA el suministro principal de agua. Enjuague la tubería hasta que el agua salga limpia. CIERRE la válvula de cierre del tubo de agua.

Conexión al refrigerador

- Saque la tapa de plástico del puerto de entrada de la válvula de agua. Fije el tubo de cobre a la entrada de la válvula usando una tuerca de compresión y manga de compresión como se muestra. Ajuste la tuerca de compresión. No apriete demasiado. Jale la tubería de cobre para asegurarse de que está firme.
- Haga un lazo de servicio con la tubería de cobre. Evite las torceduras cuando enrolle la tubería de cobre. Asegure la tubería de cobre a la carcasa del refrigerador con una abrazadera en "P".



A. Tubería de cobre
B. Abrazadera en "P"
C. Tuerca de compresión
D. Manga de compresión

- Abra el suministro de agua al refrigerador y revise si hay fugas de agua. Tape cualquier fuga que encuentre.

Complete la instalación

⚠ ADVERTENCIA



Peligro de Choque Eléctrico

Conecte a un contacto de pared de conexión a tierra de 3 terminales.

No quite la terminal de conexión a tierra.

No use un adaptador.

No use un cable eléctrico de extensión.

No seguir estas instrucciones puede ocasionar la muerte, incendio o choque eléctrico.

- Conecte a un contacto de pared de conexión a tierra de 3 terminales.

NOTA: Deje transcurrir 24 horas para la producción del primer lote de hielo. Deshágase de los tres primeros lotes de hielo producidos. Deje transcurrir 3 días para que se vuelva a llenar el depósito de hielo.

Puertas y cajón del refrigerador

Todas las ilustraciones a las que se hace referencia en las siguientes instrucciones se incluyen más adelante en esta sección después de "Pasos finales".

HERRAMIENTAS NECESARIAS: Llave de tubo de cabeza hexagonal de $\frac{5}{16}$ ", $\frac{3}{8}$ " y $\frac{1}{4}$ ", destornillador Phillips N° 2 y un destornillador de hoja plana.

IMPORTANTE:

- Su refrigerador puede tener una puerta de refrigerador reversible estándar con una puerta para el congelador o un cajón para el congelador, o bien dos puertas verticales. Siga las instrucciones específicas para el estilo de puerta de su modelo.
- Todas las ilustraciones que se mencionan en las siguientes instrucciones se incluyen más adelante en esta sección después de "Pasos finales". Las ilustraciones que se muestran para una puerta estándar son para un refrigerador que se abre hacia la derecha (bisagras instaladas en la fábrica a la derecha).
- Si solo desea quitar y volver a colocar las puertas, vea las secciones "Cómo quitar puertas y bisagras" y "Cómo volver a colocar puertas y bisagras".
- Antes de comenzar, lleve el control del refrigerador a apagado, retire los alimentos y la puerta regulable o los recipientes de uso general de las puertas.

Para quitar y volver a colocar las manijas

- Use una llave hexagonal de $\frac{3}{32}$ " o $\frac{1}{8}$ " para aflojar los dos tornillos de fijación ubicados al costado de cada manija. Tire de la manija directamente para retirarla de la puerta. Asegúrese de guardar los tornillos para reinstalar las manijas. Vea la ilustración 1 de Manijas.
- Para volver a colocar las manijas, invierta las instrucciones.

Cómo quitar las puertas y las bisagras

IMPORTANTE: Quite todos los alimentos y cualquier recipiente ajustable o de uso general de las puertas.

⚠ ADVERTENCIA



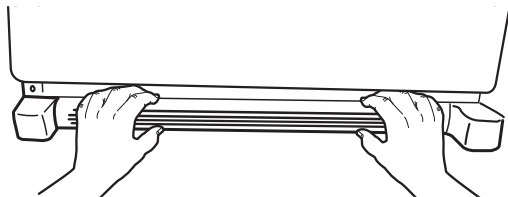
Peligro de Choque Eléctrico

Desconecte el suministro de energía antes de sacar las puertas.

No seguir esta instrucción puede ocasionar la muerte o choque eléctrico.

- Desenchufe el refrigerador o desconecte el suministro de energía.

2. Mantenga las puertas del refrigerador cerradas hasta que esté listo para levantarlas y quitarlas de la carcasa.
NOTA: Mientras quita las bisagras siempre disponga de un soporte adicional para la puerta del refrigerador. No se confíe en que los imanes de la junta de las puertas van a sostener la puerta en su lugar mientras trabaja.
3. Comenzando por la puerta derecha, saque las piezas de la bisagra superior, como se muestra en la ilustración Bisagra superior. Levante y saque la puerta del refrigerador del pasador inferior de la bisagra.
4. Saque la cubierta de la bisagra superior de la puerta izquierda del refrigerador.
5. Desconecte el enchufe de cableado que está ubicado sobre la bisagra introduciendo un destornillador de hoja plana o la uña entre las dos secciones. Vea la ilustración Conexiones.
6. Desconecte la línea de agua jalando hacia atrás el collar de bloqueo, mientras jala la línea de agua fuera del conector de la misma. Vea la ilustración Conexiones.
7. Quite los componentes de la bisagra superior como se muestra en la ilustración Bisagra superior. Levante la puerta del lado izquierdo del pasador inferior de la bisagra.
8. Quite la rejilla de la base. Tome la rejilla con firmeza y jálala hacia usted.



9. Con una llave hexagonal de $\frac{3}{8}$ " , saque los soportes de nivelación de la pata de la base de la carcasa. Guarde los tornillos para usarlos más tarde.

Cómo volver a poner las puertas y las bisagras en su lugar

1. Ensamble los componentes de la bisagra superior, como se muestra en la ilustración Bisagra superior. No atornille completamente los tornillos.
2. Vuelva a colocar los componentes de la bisagra inferior, como se muestra en la ilustración Bisagra inferior. Apriete los tornillos. Vuelva a poner en su lugar la puerta del refrigerador.
NOTA: Mientras quita las bisagras siempre disponga de un soporte adicional para la puerta del refrigerador. No se confíe en que los imanes de la junta de las puertas van a sostener la puerta en su lugar mientras trabaja.
3. Alinee la puerta de modo que la base de la puerta del refrigerador esté alineada en forma pareja con la parte superior del cajón del congelador. Apriete todos los tornillos.
4. Vuelva a conectar el enchufe de cableado sobre la puerta izquierda del refrigerador.
5. Vuelva a conectar la línea de agua jalando el anillo del collar de bloqueo mientras empuja con firmeza la línea de agua dentro del conector.
6. Revise si hay fugas. Vuelva a colocar las cubiertas de la bisagra superior.

Cómo quitar y volver a colocar el cajón del congelador

IMPORTANTE: Tal vez se necesiten dos personas para quitar y volver a colocar el cajón del congelador. Las ilustraciones aparecen más adelante en esta sección.

Para quitar el frente del cajón

1. Abra el cajón del congelador en toda su extensión.
2. Afloje los cuatro tornillos que sujetan las guías del cajón al frente del cajón. Vea la ilustración Cómo quitar el frente del cajón.
NOTA: Afloje los tornillos girándolos tres o cuatro veces. Mantenga los tornillos en el frente del cajón.
3. Levante el frente del cajón hacia arriba y fuera de los tornillos. Vea la ilustración Cómo quitar el frente del cajón.

Para volver a colocar el frente del cajón

1. Deslice las guías del cajón fuera del compartimiento del congelador. Inserte los tornillos en la parte superior del frente del cajón, dentro de las ranuras que están en los soportes del cajón. Vea la ilustración Cómo volver a colocar el frente del cajón.
2. Jale los soportes del cajón hacia usted para colocar los dos tornillos en la base del frente del cajón, dentro de los soportes. Vea la ilustración Cómo volver a colocar el frente del cajón.
3. Apriete por completo los cuatro tornillos.

Pasos finales

1. Coloque en su lugar la rejilla de la base.

⚠ ADVERTENCIA



Peligro de Choque Eléctrico

Conecte a un contacto de pared de conexión a tierra de 3 terminales.

No quite la terminal de conexión a tierra.

No use un adaptador.

No use un cable eléctrico de extensión.

No seguir estas instrucciones puede ocasionar la muerte, incendio o choque eléctrico.

2. Conecte a un contacto de pared de conexión a tierra de 3 terminales.
3. Vuelva a colocar todas las piezas removibles en las puertas y el cajón, y los alimentos, al refrigerador y al congelador.



⚠ ADVERTENCIA

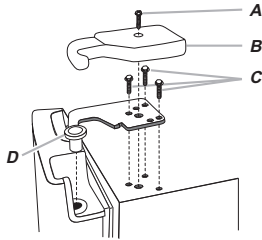
Peligro de Choque Eléctrico

Desconecte el suministro de energía antes de sacar las puertas.

No seguir esta instrucción puede ocasionar la muerte o choque eléctrico.

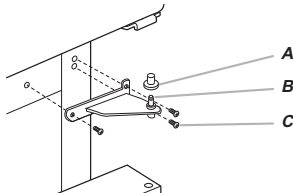
Cómo quitar y volver a poner la puerta en su lugar

Bisagras superiores



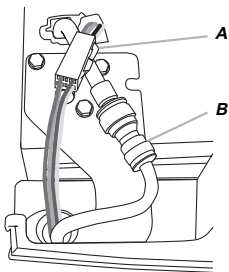
- A. Tornillo para la cubierta de la bisagra
- B. Cubierta de la bisagra superior
- C. Tornillos de cabeza hexagonal para bisagra de 5/16"
- D. Bisagra superior

Bisagras inferiores

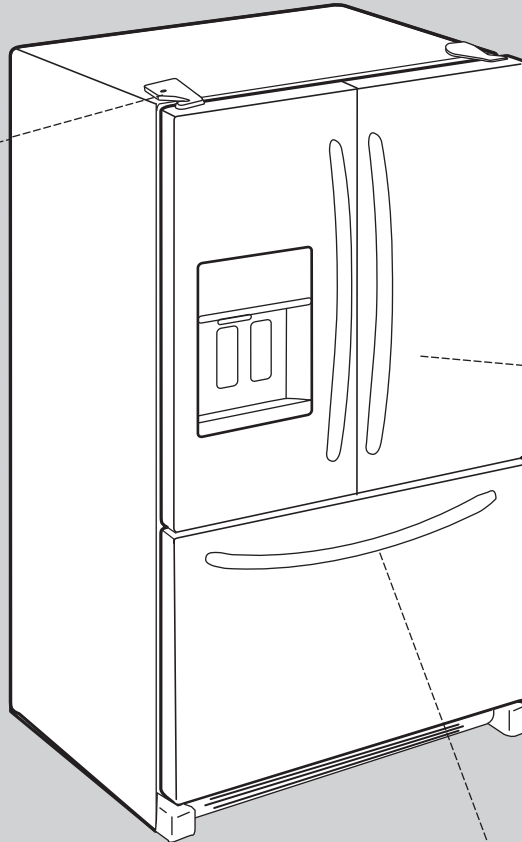


- A. Cubierta del pasador de la bisagra
- B. Bisagra inferior
- C. Tornillos para bisagra

Conexiones



- A. Enchufe de cableado
- B. Conexión de la línea de agua



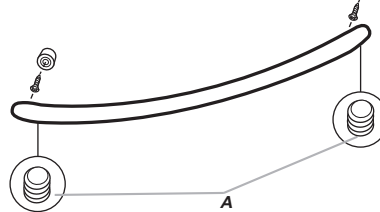
Manijas



- A. 3/32" Tornillo de ajuste

1

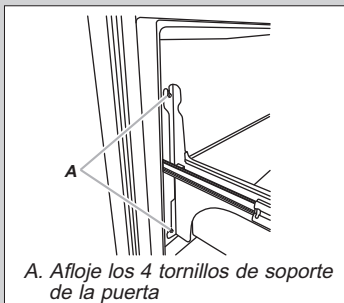
Manija



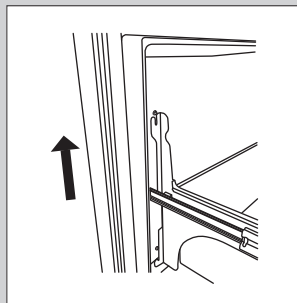
- A. 3/32" Tornillo de ajuste

2

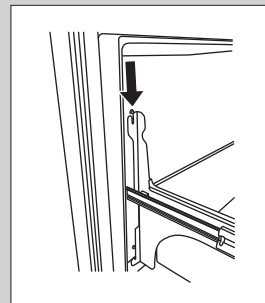
Cómo quitar el frente del cajón



- A. Afloje los 4 tornillos de soporte de la puerta



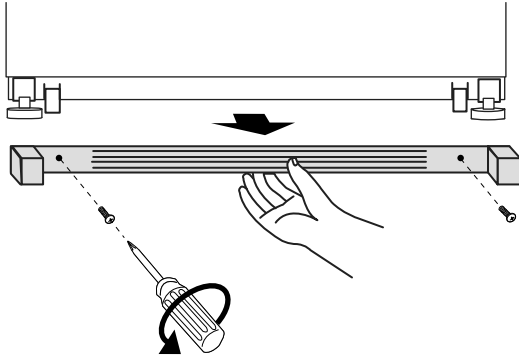
Cómo volver a colocar el frente del cajón



Ajuste las puertas

IMPORTANTE:

- Su refrigerador tiene dos tornillos delanteros de nivelación ajustables; uno a cada lado de la base del refrigerador. Si su refrigerador parece poco firme o si usted desea que la puerta se cierre con más facilidad, siga las instrucciones a continuación.
 - Antes de mover el refrigerador, levante los tornillos niveladores de modo que los rodillos frontales toquen el piso.
1. Quite los dos tornillos que sujetan la rejilla de base a la carcasa y déjelos a un lado. Tome la rejilla y tire de ella hacia usted.

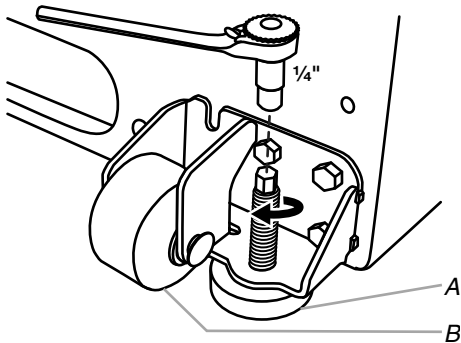


2. Levante o baje la carcasa.

Con un destornillador hexagonal de 1/4", gire el tornillo nivelador que está a cada lado, para levantar o bajar ese lado del refrigerador.

NOTA: Haga que alguien empuje la parte superior del refrigerador, lo cual quita el peso de los tornillos niveladores. Esto facilita el giro de los tornillos. Puede precisar darle varias vueltas al tornillo nivelador para ajustar la inclinación del refrigerador.

- Para levantar, gire el tornillo nivelador hacia la derecha.
- Para bajar, gire el tornillo nivelador hacia la izquierda.



A. Tornillo nivelador
B. Rodillo frontal

3. Abra la puerta nuevamente para verificar que se cierra con la facilidad que usted desea. De lo contrario, incline el refrigerador ligeramente más hacia la parte posterior, girando ambos tornillos niveladores hacia la derecha. Puede precisar varias vueltas más, y usted deberá girar ambos tornillos la misma cantidad de veces.
4. Vuelva a colocar la rejilla de la base.

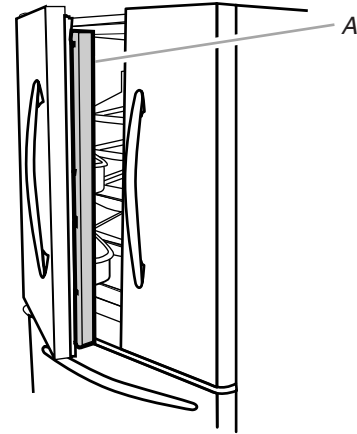
USO DE SU REFRIGERADOR

Cómo abrir y cerrar las puertas

El compartimiento del refrigerador tiene dos puertas. Las puertas pueden abrirse y cerrarse ya sea individualmente o a la vez.

Hay una junta con bisagras verticales en la puerta izquierda del refrigerador.

- Cuando se abre la puerta izquierda, la junta con bisagras se pliega hacia adentro automáticamente, para quedar fuera del camino.
- Cuando ambas puertas están cerradas, la junta con bisagras forma automáticamente un sello entre las dos puertas.



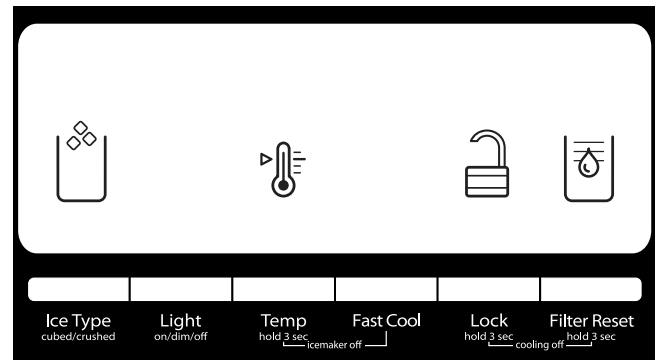
A. Junta con bisagras

Uso de los controles

Los botones del control del refrigerador y del congelador están ubicados en el panel del despachador.

IMPORTANTE: La pantalla en el panel de control del despachador se apagará automáticamente, e ingresará al modo de "dormir" cuando los botones del control y las palancas del despachador no se hayan utilizado por 2 minutos o más. Mientras esté en el modo de "dormir", al presionar por primera vez un botón de control solamente se reactivará la pantalla, sin cambiar ningún ajuste. Después de haberse reactivado se pueden realizar cambios a cualquiera de los ajustes. Si no se hacen cambios en menos de 2 minutos, la pantalla volverá a ingresar al modo de "dormir".

- Toque cualquier botón del control en el panel del despachador para activar la pantalla. La pantalla principal aparecerá como se muestra.



Cómo ajustar los controles

Para su comodidad, los controles de su refrigerador y congelador vienen prefijados de fábrica. Al instalar su refrigerador por primera vez, cerciórese de que los controles aún estén fijados en los “ajustes medios”. Los puntos de ajuste recomendados de fábrica son 38°F (3°C) para el refrigerador y 0°F (-18°C) para el congelador.

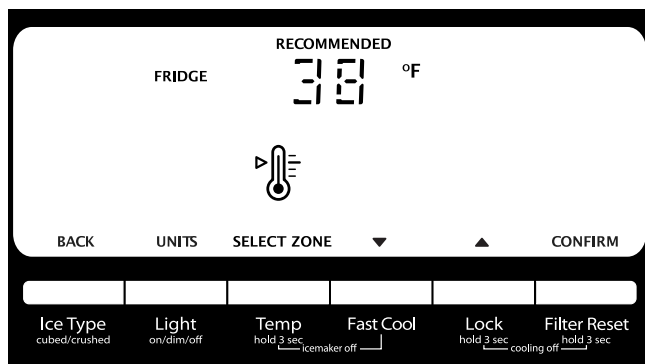
IMPORTANTE:

- Espere 24 horas antes de colocar alimentos en el refrigerador. Si agrega alimentos antes de que el refrigerador se haya enfriado por completo, sus alimentos podrían echarse a perder.

NOTA: El ajustar los puntos fijos a un ajuste más frío que el ajuste recomendado no hará que los compartimentos se enfríen más rápido.

- Si la temperatura está demasiado caliente o demasiado fría en el refrigerador o en el congelador, antes de regular los controles, revise primero los conductos de ventilación para cerciorarse de que no estén obstruidos.
- Los ajustes prefijados deben ser los correctos para un uso doméstico normal. Los controles están ajustados correctamente cuando la leche o los jugos están tan fríos como Ud. desea y cuando el helado tiene consistencia firme.
- Espere por lo menos 24 horas entre ajustes. Vuelva a verificar las temperaturas antes de realizar otros ajustes.

Para ver y ajustar los puntos fijos, presione y sostenga el botón de TEMP (Temperatura) por 3 segundos. Cuando el modo de ajuste se activa, la información de ajuste aparecerá en la pantalla.



NOTA: Para ver la temperatura en grados centígrados, oprima el botón de LIGHT (Luz) cuando el modo de ajuste se activa. Para volver a fijar el ajuste de la pantalla a grados Fahrenheit, presione LIGHT (Luz) nuevamente.

- Cuando se activa el modo de ajuste, la pantalla muestra el punto de ajuste del refrigerador y aparece “FRIDGE” (Refrigerador).
- Presione LOCK (Bloquear) para aumentar el punto de ajuste, o presione FAST COOL (Enfriamiento rápido) para bajarlo.
- Cuando haya terminado de ver (y ajustar si lo desea) el punto de ajuste del refrigerador, presione TEMP (Temperatura) para que se muestre el punto de ajuste del congelador en la pantalla. Cuando el área se haya cambiado, aparecerá “FREEZER” (Congelador) en la pantalla.
- Presione LOCK (Bloquear) para aumentar el punto de ajuste, o presione FAST COOL (Enfriamiento rápido) para bajarlo.
- Cuando haya terminado de ver (y ajustar si lo desea) los puntos de ajuste del refrigerador y del congelador, presione FILTER (Filtro) para guardar los ajustes.

NOTA: Para salir sin guardar los cambios, presione ICE TYPE (Tipo de hielo) en cualquier momento mientras se encuentre en el modo de ajuste, o espere aproximadamente 60 segundos de inactividad y el modo de ajuste se apagará automáticamente.

Cuando regule los puntos de ajuste de la temperatura, utilice el siguiente cuadro como guía.

CONDICIÓN:	REGULACIÓN DE LA TEMPERATURA:
REFRIGERADOR demasiado frío	Ajuste del REFRIGERADOR 1° más alto
REFRIGERADOR demasiado caliente	Ajuste del REFRIGERADOR 1° más bajo
CONGELADOR demasiado frío	Ajuste del CONGELADOR 1° más alto
CONGELADOR demasiado caliente/ muy poco hielo	Ajuste del CONGELADOR 1° más bajo

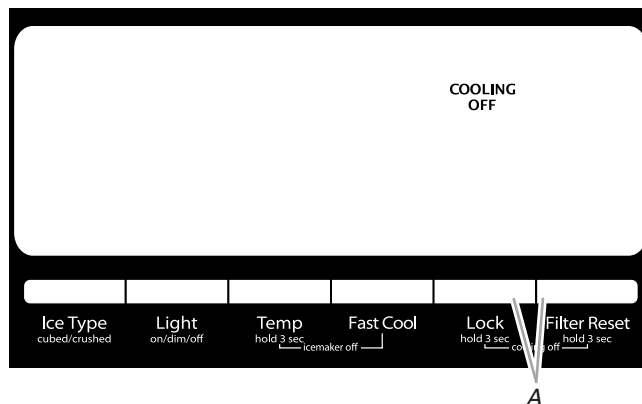
El rango de punto de ajuste para el refrigerador es de 33°F a 45°F (0°C a 7°C). El rango de punto de ajuste para el congelador es de -5°F a 5°F (-21°C a -15°C).

Encendido/Apagado del enfriamiento

Su refrigerador y congelador no se enfriarán cuando el enfriamiento esté apagado.

- Para apagar el enfriamiento, presione y sostenga los botones de LOCK (Bloquear) y FILTER (Filtro) al mismo tiempo, por 3 segundos. Cuando esté apagado el enfriamiento, aparecerá “COOLING OFF” (Enfriamiento apagado).

IMPORTANTE: Para evitar bloquear involuntariamente el despachador o cambiar otros ajustes, asegúrese de presionar ambos botones exactamente al mismo tiempo.



A. Presione LOCK (Bloqueo) y FILTER RESET (Reposición del filtro) a la vez.

Presione y sostenga nuevamente LOCK (Bloqueo) y FILTER (Filtro) por 3 segundos para volver a encender el enfriamiento.

Características adicionales

Fast Cool (Enfriamiento rápido)

La característica de Fast Cool (Enfriamiento rápido) ayuda en los períodos de alto uso del refrigerador, cargas completas de comestibles o temperaturas ambientales temporalmente calientes.

- Presione FAST COOL (Enfriamiento rápido) para fijar el congelador y el refrigerador en el ajuste de temperatura más bajo. Cuando la característica está encendida, el ícono de Fast Cool (Enfriamiento rápido) aparecerá en la pantalla del despachador. La característica de Fast Cool (Enfriamiento rápido) permanecerá encendida durante 24 horas a menos que se apague manualmente.



- Para apagar manualmente la característica Fast Cool (Enfriamiento rápido), presione FAST COOL nuevamente para regular el punto de ajuste del refrigerador. El ícono de Fast Cool (Enfriamiento rápido) desaparecerá cuando se apague la característica.

NOTA: El fijar el congelador en una temperatura más fría puede endurecer más algunos alimentos como el helado.

Alarma de puerta entreabierta

La característica de la alarma de puerta entreabierta hace sonar una alarma cuando la puerta del refrigerador o del congelador esté abierta durante 5 minutos y esté funcionando el enfriamiento del producto. La alarma se repetirá cada 2 minutos. Cierre ambas puertas para apagarla. La característica luego se vuelve a fijar y se reactivará cuando se deje nuevamente cualquier puerta abierta durante 5 minutos.

NOTA: Para silenciar la alarma audible mientras que mantiene las puertas abiertas, como por ejemplo al limpiar el interior del refrigerador, presione cualquier botón en el panel de control. El sonido de la alarma estará apagado temporalmente, pero el ícono de Door Ajar (Puerta entreabierta) seguirá apareciendo en la pantalla del panel de control del despachador.



Luz de estado del filtro de agua y reposición del filtro

El control de reposición del filtro le permite volver a iniciar la característica de control de estado del filtro de agua cada vez que usted reemplace el filtro de agua. Vea “Sistema de filtración de agua”.

- Presione y sostenga FILTER RESET (Reajuste del filtro) durante 3 segundos, hasta que se apague la luz de “Replace Filter” (Reemplazar el filtro).

Control de humedad del cajón para verduras

Usted puede controlar el nivel de humedad en el cajón hermético para verduras. Dependiendo de su modelo, regule el control a cualquier ajuste entre FRUIT (Fruta) y VEGETABLES (Vegetales) o LOW (Bajo) y HIGH (Alto).

FRUIT/LOW (Fruta / Bajo - posición abierta) para el mejor almacenamiento de frutas y verduras con cáscaras.

VEGETABLES/HIGH (Vegetales / Alto - posición cerrada) para el mejor almacenamiento de vegetales de hoja frescos.

Fábrica de hielo y depósito de hielo

IMPORTANTE:

- Enjuague el sistema de agua antes de encender la fábrica de hielo. Vea “Despachadores de agua y hielo”.
- La fábrica de hielo y el depósito están ubicados en el lado derecho superior del compartimiento del refrigerador.

Para encender y apagar la fábrica de hielo

La fábrica de hielo tiene un apagado automático. Cuando esté encendida la fábrica de hielo, los sensores detendrán automáticamente la producción de hielo cuando el depósito esté lleno. La fábrica de hielo permanecerá en ON (Encendido) y la producción de hielo se reanudará cuando el depósito ya no esté lleno.

Para apagar la fábrica de hielo manualmente, presione TEMP (Temperatura) y FAST COOL (Frío rápido) a la misma vez y sostenga por 3 segundos hasta que se encienda la luz del ícono de “Fábrica de hielo apagada”. Cuando se fija la fábrica de hielo en OFF (Apagado), dejará de producir hielo.

El presionar y sostener nuevamente TEMP (Temperatura) y FAST COOL (Frío rápido) por 3 segundos encenderá la fábrica de hielo y desaparecerá el ícono de “Fábrica de hielo apagada”.

Para quitar y volver a colocar el depósito de hielo

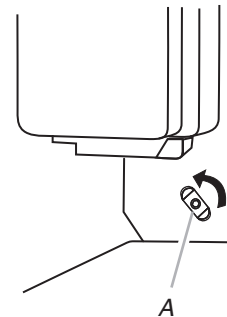
Para quitar el depósito de hielo:

1. Sostenga la base del depósito y presione el botón de liberación.
2. Jale el depósito hacia afuera.

Para volver a colocar el depósito de hielo:

IMPORTANTE: Tal vez sea necesario girar el regulador del trépano (que se encuentra detrás del depósito de hielo) hacia la izquierda, para alinear debidamente el depósito de hielo con el regulador del trépano. El depósito de hielo deberá estar seguro en su lugar para poder despachar el hielo adecuadamente.

1. Deslice el depósito de hielo en las guías que están ubicadas a cada lado del recinto.
2. Empuje el depósito de hielo hacia adentro hasta sentir una resistencia. Levante ligeramente el frente y empuje el depósito de hielo hasta que se escuche un chasquido.



A. Regulador del trépano

Ritmo de producción de hielo

- Deje transcurrir 24 horas para la producción del primer lote de hielo. Deshágase de los tres primeros lotes de hielo producidos.
- La fábrica de hielo deberá producir aproximadamente entre 8 y 12 lotes de hielo en un período de 24 horas.
- Para aumentar la producción de hielo, baje la temperatura del congelador y del refrigerador. Vea “Uso de los controles”. Deje pasar 24 horas entre cada ajuste.

NOTA: El fijar el congelador en una temperatura más fría puede endurecer más algunos alimentos como el helado.

Recuerde

- La calidad del hielo dependerá de la calidad del agua que suministre a su fábrica de hielo. Evite la conexión de la fábrica de hielo a un suministro de agua blanda. Los químicos para ablandar el agua (como la sal) pueden dañar ciertos componentes de la fábrica de hielo y producir un hielo de muy baja calidad. Si no se puede evitar el uso de un suministro de agua blanda, asegúrese de que el ablandador de agua esté funcionando correctamente y que goce de un buen mantenimiento.
- No use instrumentos afilados para romper el hielo en el depósito. Esto puede dañar el depósito y el mecanismo de despachado.
- No guarde nada dentro del el depósito de hielo.

Despachadores de agua y hielo

IMPORTANTE: Después de haber conectado el refrigerador a un suministro de agua o de haber reemplazado el filtro de agua, enjuague el sistema de agua. Use un recipiente resistente para oprimir y sostener la barra del despachador por 5 segundos, luego suéltela por 5 segundos. Repita hasta que el agua comience a correr. Una vez que el agua haya comenzado a correr, continúe presionando y soltando la barra del despachador (5 segundos activado, 5 segundos desactivado) hasta despachar un total de 4 gal (15 L). Esto eliminará el aire en el filtro y en el sistema de despachado de agua y preparará el filtro de agua para ser usado. En algunas casas se podrá requerir enjuague adicional. A medida que sale aire del sistema, es posible que salgan chorros de agua repentinos del despachador.

NOTAS:

- El sistema de distribución no funcionará cuando la puerta del refrigerador esté abierta.
- Deje transcurrir 24 horas para que el refrigerador se enfríe y pueda enfriar el agua.
- Deje transcurrir 24 horas para la producción del primer lote de hielo. Deshágase de los tres primeros lotes de hielo producidos.
- La pantalla en el panel de control del despachador se apagará automáticamente, e ingresará al modo de "dormir" cuando los botones del control y las palancas del despachador no se hayan utilizado por 2 minutos o más. Mientras esté en el modo de "dormir", al presionar por primera vez un botón de control solamente se reactivará la pantalla, sin cambiar ningún ajuste. Después de haberse reactivado se pueden realizar cambios a cualquiera de los ajustes. Si no se hacen cambios en menos de 2 minutos, la pantalla volverá a ingresar al modo de "dormir".

El despachador de agua

IMPORTANTE: Haga salir suficiente agua cada semana para mantener un suministro fresco.

Para despachar agua:

1. Oprima un vaso resistente contra la barra del despachador de agua.
2. Retire el vaso para detener la salida del agua.

El despachador de hielo

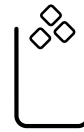
El hielo se distribuye del depósito de la fábrica de hielo en el congelador cuando se presione la barra del despachador. Para apagar la fábrica de hielo, vea "Fábrica de hielo y depósito".

Su fábrica de hielo produce hielo picado y en cubos. Antes de sacar hielo, seleccione el tipo de hielo que desea, presionando el botón de ICE TYPE (Tipo de hielo).

La pantalla indica qué tipo de hielo se ha seleccionado.



CRUSHED
(Hielo picado)



CUBED
(Hielo en cubos)

Para obtener hielo picado, el hielo es triturado antes de ser despachado. Esto puede retrasar un poco la distribución del hielo picado. El ruido proveniente del triturador de hielo es normal y los trozos de hielo pueden variar en tamaño. Cuando cambie de la posición de hielo picado a cubos, caen unas onzas de hielo picado junto con los primeros cubos.

Para despachar hielo:

1. Asegúrese de seleccionar el tipo de hielo deseado. Para cambiar de hielo en cubos a picado y viceversa, presione ICE TYPE (Tipo de hielo).

⚠ ADVERTENCIA



Peligro de Cortaduras

Use un vaso resistente para recibir hielo del despachador.

No seguir esta instrucción puede ocasionar cortaduras.

2. Oprima con un vaso resistente la barra del despachador de hielo. Sostenga el vaso junto al orificio del despachador para que el hielo no caiga fuera del vaso.

IMPORTANTE: No necesita aplicar mucha presión a la barra para activar el despachador de hielo. Oprimir fuerte no hará que el despachador funcione con más rapidez o produzca mayor cantidad de hielo.

3. Retire el vaso para detener la salida de hielo.

NOTA: El hielo puede continuar saliendo por hasta 10 segundos después de haber retirado el vaso de la barra. El despachador puede continuar haciendo ruido por algunos segundos después de haber despachado.

La luz del despachador

Cuando usted utilice el despachador, la luz se encenderá automáticamente. Si usted desea que la luz esté encendida continuamente, puede elegir ON (Encendido) o DIM (Tenue). La pantalla indica qué modo está seleccionado.



ON
(Encendido)



DIM
(Tenue)

ON (Encendido): Presione LIGHT (Luz) para encender la luz del despachador.

DIM (Tenue): Presione LIGHT por segunda vez para seleccionar el modo DIM. La luz del despachador permanecerá encendida, pero con una intensidad más baja.

OFF (Apagado): Presione LIGHT por tercera vez para apagar la luz del despachador.

Las luces del despachador son del tipo LED y no se pueden cambiar. Si le parece que las luces del despachador no funcionan, vea “Solución de problemas” para obtener más información.

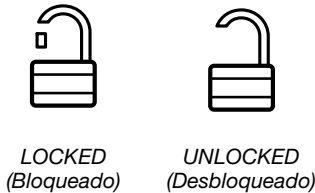
El bloqueo del despachador

El despachador puede apagarse para facilitar la limpieza o para evitar que sea activado involuntariamente por niños pequeños o animales domésticos.

NOTA: La función de cierre no interrumpe el flujo eléctrico al refrigerador, a la fábrica de hielo o a la luz del despachador. Únicamente desactiva los controles y las barras del despachador. Para apagar la fábrica de hielo, vea “Fábrica de hielo y depósito”.

- Presione y sostenga LOCK (Bloqueo) por 3 segundos para bloquear el despachador.
- Presione y sostenga LOCK (Bloqueo) por 3 segundos por segunda vez para desbloquear el despachador.

La pantalla indica cuándo el despachador está bloqueado.



Sistema de filtración de agua

El filtro de agua está ubicado en la esquina superior derecha del compartimiento del refrigerador.

No use con agua que no sea microbiológicamente segura o que sea de calidad desconocida sin desinfectarla adecuadamente antes o después del sistema. Pueden usarse sistemas certificados para la reducción de quistes en aguas desinfectadas que puedan contener quistes filtrables.

Luz de estado del filtro de agua

Cuando se ha instalado un filtro de agua en el refrigerador, las luces de estado del filtro de agua le ayudarán a saber cuándo debe cambiar el filtro de agua.

- El icono de estado del filtro de agua cambiará de Normal (agua azul) a Order (Pedir, ondas rojas) y a “Order Filter” (Pedir filtro, anaranjado) cuando el 90 % del volumen nominal de agua del filtro haya pasado a través del filtro, O BIEN si han pasado 5 meses desde que se instaló el filtro.
- El icono rojo de “Replace Filter” (Reemplazar el filtro) se iluminará y parpadeará continuamente mientras se está despachando agua una vez que el volumen nominal de agua haya pasado a través del filtro, O BIEN si han pasado 6 meses desde que se instaló el filtro. Se debe instalar un nuevo filtro inmediatamente después de que se ilumine la luz de Replace (Reemplazar).
- Después de estar durante 14 días en el estado de reemplazar el filtro, los iconos de “Replace Filter” (Reemplazar el filtro) y de agua se iluminarán siempre (de rojo) y destellarán continuamente durante el despachado. Adicionalmente, sonará tres veces una alerta después del despachado.

El filtro de agua desechable deberá reemplazarse por lo menos cada 6 meses. Si el flujo de agua hacia el despachador de agua o a la fábrica de hielo disminuye sensiblemente antes de que pasen 6 meses, cambie el filtro de agua más seguido. Para cambiar el filtro, vea “Sistema de filtración de agua”.

Reset Water Filter Status

Después de cambiar el filtro de agua, reajuste el estado del filtro de agua. En la pantalla, presione y sostenga FILTER RESET (Reposición del filtro) durante 3 segundos. La luz de estado cambiará de Replace Filter (Reemplazar el filtro) (rojo) a Normal (agua azul) una vez que se haya reajustado el sistema.

Reemplazo del filtro de agua

Para comprar un filtro de agua de repuesto, número de modelo UKF8001AXX-200, póngase en contacto con su distribuidor o llame al **1-800-422-9991** en EE.UU., o al **1-800-807-6777** en Canadá.

IMPORTANTE: El aire que quede atrapado en el sistema de agua puede hacer que se salga agua y el filtro. Siempre despache agua por un mínimo de 2 minutos antes de quitar el filtro o la tapa azul de paso.

1. Para tener acceso al filtro, presione hacia arriba en la sección con relieve de la cubierta del filtro de agua.
2. Gire el filtro en el sentido contrario a las manecillas del reloj para sacarlo.
3. Saque la etiqueta de sellado del filtro de reemplazo e inserte el extremo del filtro dentro de la cabeza del filtro.
4. Gire el filtro hacia la derecha hasta que se detenga. Encaje la cubierta del filtro en su lugar y ciérrela.
5. Enjuague el sistema de agua. Vea “Despachador de agua y hielo”.

NOTA: La característica del despachador se puede usar sin tener un filtro de agua instalado. El agua no estará filtrada. Si se elige esta opción, reemplace el filtro con la tapa azul de paso.

CUIDADO DE SU REFRIGERADOR

Limpeza

⚠ ADVERTENCIA



Peligro de Explosión

Use un limpiador no inflamable.

No seguir esta instrucción puede ocasionar la muerte, explosión o incendio.

Tanto la sección del refrigerador como la del congelador se descongelan automáticamente. No obstante, limpie ambas secciones más o menos una vez al mes para evitar la acumulación de olores. Limpie los derrames de inmediato.

IMPORTANTE:

- Debido a que el aire circula entre ambas secciones, cualquier olor que se forma en una sección pasará a la otra. Usted debe limpiar meticulosamente ambas secciones para eliminar olores. Para evitar la transferencia de olores y la deshidratación de los alimentos, envuelva o tape bien los alimentos.
- No use productos de limpieza abrasivos o irritantes, como aerosoles para ventanas, productos de limpieza para pulir, líquidos inflamables, ceras para limpieza, detergentes concentrados, quitaesmalte, blanqueadores o productos de limpieza que contengan productos de petróleo. No use toallas de papel, estropajos para fregar ni otros utensilios de limpieza ásperos, ya que pueden rayar o dañar los materiales.

Limpieza del interior

1. Desenchufe el refrigerador o desconecte el suministro de energía.
2. Utilizando una esponja o un paño suave y una solución de detergente suave y agua tibia, lave a mano, enjuague y seque a fondo las piezas removibles y las superficies interiores.
3. Enchufe el refrigerador o reconecte el suministro de energía.

Limpie la pantalla táctil en el panel del despachador

1. Para evitar cambiar los ajustes accidentalmente, asegúrese que el refrigerador esté desconectado o que se haya desconectado el suministro de energía antes de limpiar la pantalla.
2. Mezcle una solución de detergente suave en agua tibia. Humedezca un paño suave que no deje pelusa con la solución y limpie la pantalla cuidadosamente.
NOTA: No rocíe ni limpie líquidos directamente sobre la pantalla, ni empape el paño.
3. Enchufe el refrigerador o reconecte el suministro de energía.

Limpie las superficies exteriores

1. Desenchufe el refrigerador o desconecte el suministro de energía.
2. Utilizando una esponja o paño suave y una solución de detergente suave y agua tibia, lave, enjuague y seque a fondo el exterior de acero inoxidable y metal pintado.
 - Para mantener como nuevo su refrigerador de acero inoxidable y para quitar marcas o rayaduras pequeñas, se sugiere usar el limpiador de acero inoxidable aprobado por el fabricante, Pieza número 4396095. Para pedir el limpiador, llame al **1-800-422-9991** en EE.UU. o al **1-800-807-6777** en Canadá.

IMPORTANTE: ¡Este limpiador es solamente para partes de acero inoxidable!

No permita que el limpiador de acero inoxidable entre en contacto con ninguna parte de plástico tales como las piezas decorativas, las tapas del despachador o las juntas de la puerta. Si se produce contacto no intencional, limpie la pieza de plástico con una esponja y detergente suave en agua tibia. Seque meticulosamente con un paño suave.

3. Enchufe el refrigerador o reconecte el suministro de energía.

Limpieza del condensador

Una limpieza rutinaria del condensador no es necesaria en ambientes normales de operación en el hogar. Si el ambiente es particularmente grasoso o polvoriento, o si hay bastante tránsito de mascotas en el hogar, el condensador deberá limpiarse cada dos o tres meses para asegurar la máxima eficacia.

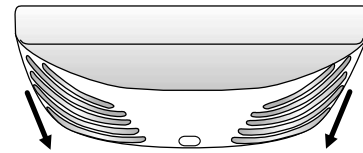
Limpia el condensador:

1. Desenchufe el refrigerador o desconecte el suministro de energía.
2. Quite la rejilla de la base.
3. Use una aspiradora con un cepillo suave para limpiar la rejilla, las áreas abiertas detrás de la rejilla y la superficie frontal del condensador.
4. Vuelva a colocar la rejilla de la base cuando termine.
5. Enchufe el refrigerador o reconecte el suministro de energía.

Cómo cambiar el foco

IMPORTANTE: Los focos en los compartimientos del refrigerador y del congelador de su nuevo refrigerador cuentan con tecnología LED. Si las luces no se encienden cuando se abre la puerta del refrigerador y/o congelador, llame para solicitar ayuda o servicio técnico. Consulte la garantía para conocer los números de teléfono.

1. Desenchufe el refrigerador o desconecte el suministro de energía.
2. Quite la pantalla de la luz (en algunos modelos).
 - Parte superior del compartimiento del refrigerador - Deslice la pantalla de la luz hacia la parte posterior del compartimiento para liberarla del ensamblaje de luz.



3. Reemplace el (los) foco(s) LED quemado(s) con un foco (focos) del mismo tamaño, forma y vataje.
 - Para reemplazar el foco LED quemado con un foco LED, pida la pieza número W10565137 (3,6 W).
NOTA: Algunos focos LED de repuesto no se recomiendan para ambientes húmedos/mojados. Los compartimientos del refrigerador y del congelador se consideran ambientes húmedos/mojados. Si emplea una marca de focos LED, diferente de los focos recomendados, antes de instalarlo, lea y siga las instrucciones en el empaque del LED.
 - Si se emplea un foco incandescente para reemplazar un foco LED, use solamente los focos incandescentes para aparatos domésticos con un máximo de 40 vatios.
4. Vuelva a colocar la pantalla de luz.
5. Enchufe el refrigerador o reconecte el suministro de energía.

SOLUCIÓN DE PROBLEMAS

Pruebe primero las soluciones sugeridas aquí. Si necesita asistencia adicional o más recomendaciones, para evitar posiblemente el costo de una visita de servicio técnico, consulte la página de la garantía de este manual y escanee el código con su dispositivo móvil o visite www.whirlpool.com/product_help.

Contáctenos por correo electrónico con sus preguntas o dudas a la dirección que aparece a continuación:

En los EE.UU.:

Whirlpool Brand Home Appliances
Customer eXperience Center
553 Benson Road
Benton Harbor, MI 49022-2692

En Canadá:

Whirlpool Brand Home Appliances
Customer eXperience Centre
200 – 6750 Century Ave.
Mississauga, Ontario L5N 0B7

Por favor incluya en su correspondencia un número de teléfono en el que se le pueda localizar durante el día.

Funcionamiento del refrigerador

El refrigerador no funciona

⚠ ADVERTENCIA



Peligro de Choque Eléctrico

Conecte a un contacto de pared de conexión a tierra de 3 terminales.

No quite la terminal de conexión a tierra.

No use un adaptador.

No use un cable eléctrico de extensión.

No seguir estas instrucciones puede ocasionar la muerte, incendio o choque eléctrico.

- **¿Está desenchufado el cable eléctrico?** Conecte a un contacto de pared de conexión a tierra de 3 terminales.
- **¿Funciona el contacto?** Enchufe una lámpara para ver si funciona el contacto.
- **¿Hay un fusible de la casa fundido o se disparó el cortacircuitos?** Reemplace el fusible o reposicione el cortacircuitos. Si el problema continúa, llame a un electricista.
- **¿Están encendidos los controles?** Asegúrese de que los controles del refrigerador estén encendidos. Vea "Uso de los controles".
- **¿Es nueva la instalación?** Deje transcurrir 24 horas después de la instalación para que el refrigerador se enfríe por completo.

NOTA: El ajustar los controles de temperatura en la posición más fría no enfría ningún compartimiento más rápido.

Parece que el motor funciona excesivamente

Es posible que su nuevo refrigerador funcione por períodos más largos que su refrigerador anterior debido al compresor y los ventiladores de alto rendimiento. Es posible que la unidad funcione por más tiempo si la habitación está caliente, si se ha agregado una gran cantidad de alimentos, si se abren las puertas con frecuencia o si se han dejado las mismas abiertas.

Parece que el refrigerador es ruidoso

El ruido del refrigerador se ha ido reduciendo a lo largo de los años. Debido a esta reducción, es posible que escuche ruidos intermitentes en su nuevo refrigerador que no había notado en el modelo viejo. A continuación se enumeran algunos sonidos normales con explicaciones.

- **Zumbido** - se escucha cuando la válvula de agua se abre para llenar la fábrica de hielo
- **Sonido pulsante** - los ventiladores/el compresor se están ajustando para obtener el máximo desempeño
- **Sonido sibilante/vibraciones** - flujo de líquido refrigerante, movimiento de la tubería de agua o artículos guardados arriba del refrigerador
- **Chisporroteos/Gorgoteos** - agua goteando en el calentador durante el ciclo de descongelación
- **Estallido** - contracción/expansión de las paredes interiores, especialmente durante el enfriamiento inicial
- **Agua corriendo** - puede escucharse cuando el hielo se derrite durante el ciclo de descongelación y el agua corre hacia la bandeja recolectora
- **Chirridos/Crujidos** - esto ocurre cuando el hielo es expulsado del molde de la fábrica de hielo

Las puertas no cierran completamente

- **¿Está bloqueada la puerta?** Mueva los paquetes de alimentos lejos de la puerta.
- **¿Hay un recipiente o un estante bloqueando el paso?** Empuje el recipiente o el estante nuevamente a la posición correcta.

Es difícil abrir las puertas

⚠ ADVERTENCIA



Peligro de Explosión

Use un limpiador no inflamable.

No seguir esta instrucción puede ocasionar la muerte, explosión o incendio.

- **¿Están las juntas sucias o pegajosas?** Limpie las juntas y las superficies de contacto con jabón suave y agua tibia. Enjuague y seque con un paño suave.

Temperatura y humedad

La temperatura está demasiado caliente

- **¿Es nueva la instalación?** Deje transcurrir 24 horas después de la instalación para que el refrigerador se enfríe por completo.
- **¿Se abre(n) o se deja(n) abierta(s) la(s) puerta(s) a menudo?** Esto hace que entre aire tibio al refrigerador. Reduzca al mínimo el número de veces que abre la puerta y mantenga las puertas completamente cerradas.
- **¿Se ha agregado una gran cantidad de alimentos?** Deje que transcurran varias horas para que el refrigerador vuelva a la temperatura normal.
- **¿Se han ajustado los controles correctamente de acuerdo con las condiciones circundantes?** Ajuste los controles un ajuste más frío. Fíjese en la temperatura en 24 horas. Vea “Uso de los controles”.

La temperatura está demasiado baja en el refrigerador

- **¿Está bloqueado el orificio de ventilación del refrigerador?** Si el orificio de ventilación, ubicado en la esquina superior posterior izquierda del compartimiento del refrigerador, está obstruido con artículos colocados directamente enfrente del mismo, la temperatura del refrigerador se pondrá demasiado baja. Mueva los artículos lejos del orificio de ventilación de aire.
- **¿Está el depósito de hielo en la posición correcta?** Vea “Fábrica de hielo y depósito de hielo”.
- **¿Se han ajustado los controles correctamente de acuerdo con las condiciones circundantes?** Ajuste los controles en un ajuste más caliente. Fíjese en la temperatura en 24 horas. Vea “Uso de los controles”.

Hay acumulación de humedad en el interior

NOTA: Es normal que se acumule un poco de humedad.

- **¿Está húmeda la habitación?** Esto contribuye a la acumulación de humedad.
- **¿Se abre(n) o se deja(n) abierta(s) la(s) puerta(s) a menudo?** Esto hace que entre aire húmedo al refrigerador. Reduzca al mínimo el número de veces que abre la puerta y mantenga las puertas completamente cerradas.

Hielo y agua

La fábrica de hielo no produce hielo o no produce suficiente hielo

- **¿Se ha conectado el refrigerador a un suministro de agua y se ha abierto la válvula de cierre?** Conecte el refrigerador al suministro de agua y abra completamente la válvula de cierre.
- **¿Hay una torcedura en la tubería de suministro de agua?** Una torcedura en la tubería puede reducir el flujo de agua. Enderece la tubería de suministro de agua.
- **¿Está encendida la fábrica de hielo?** Asegúrese de que la fábrica de hielo esté encendida. Vea “Fábrica de hielo y depósito de hielo”.
- **¿Es nueva la instalación?** Espere 24 horas después de la instalación de la fábrica de hielo para que empiece a producir hielo. Deje transcurrir 72 horas para la producción total de hielo.

- **¿Está completamente cerrada la puerta del refrigerador?** Cierre la puerta con firmeza. Si no se cierra completamente, vea “Las puertas no cierran completamente”.
- **¿Se acaba de sacar una gran cantidad de hielo?** Deje transcurrir 24 horas para que la fábrica de hielo produzca más hielo.
- **¿Se trabó un cubo de hielo en el brazo eyector de la fábrica de hielo?** Saque el hielo del brazo eyector con un utensilio de plástico.
- **¿Tiene un filtro de agua instalado en el refrigerador?** Saque el filtro y ponga a funcionar la fábrica de hielo. Si el volumen de hielo aumenta, el filtro puede estar obstruido o haberse instalado incorrectamente. Reemplace el filtro o vuelva a instalarlo correctamente.
- **¿Se ha conectado un sistema de filtración de agua de ósmosis inversa al suministro de agua fría?** Esto puede hacer que disminuya la presión de agua. Vea “Requisitos del suministro de agua”.

Los cubos de hielo son huecos o pequeños

NOTA: Esto es una indicación de baja presión de agua.

- **¿No está abierta por completo la válvula de cierre de agua?** Abra completamente la válvula de cierre de agua.
- **¿Hay una torcedura en la tubería de suministro de agua?** Una torcedura en la tubería puede reducir el flujo de agua. Enderece la tubería de suministro de agua.
- **¿Tiene un filtro de agua instalado en el refrigerador?** Saque el filtro y ponga a funcionar la fábrica de hielo. Si mejora la calidad de hielo, el filtro puede estar obstruido o haberse instalado incorrectamente. Reemplace el filtro o vuelva a instalarlo correctamente.
- **¿Se ha conectado un sistema de filtración de agua de ósmosis inversa al suministro de agua fría?** Esto puede hacer que disminuya la presión de agua. Vea “Requisitos del suministro de agua”.
- **¿Aún tiene preguntas acerca de la presión de agua?** Llame a un plomero competente autorizado.

El hielo tiene mal sabor, mal olor o un color grisáceo

- **¿Son nuevas las conexiones de plomería?** Las conexiones nuevas de plomería pueden producir un hielo descolorido o de mal sabor.
- **¿Se han guardado los cubos de hielo por mucho tiempo?** Deseche ese hielo. Lave el recipiente de hielo. Deje transcurrir 24 horas para que la fábrica de hielo haga hielo nuevo.
- **¿Ha habido una transferencia de olor de los alimentos?** Use empaques herméticos contra humedad para almacenar comida.
- **¿Contiene el agua minerales (como el azufre)?** Podría ser necesario instalar un filtro de agua para eliminar los minerales.
- **¿Tiene un filtro de agua instalado en el refrigerador?** Un descoloramiento o un color gris del hielo indican que el sistema de filtración de agua necesita enjuagarse más. Enjuague el sistema de agua antes de usar un nuevo filtro. Reemplace el filtro de agua cuando se indique. Vea “Sistema de filtración de agua”.

El despachador de agua y hielo no funciona debidamente

- **¿Se ha conectado el refrigerador a un suministro de agua y se ha abierto la válvula de cierre?** Conecte el refrigerador al suministro de agua y abra completamente la válvula de cierre.
- **¿Hay un estrechamiento en la tubería de suministro de agua?** Enderece la tubería de suministro de agua.

- **¿Es nueva la instalación?** Enjuague y llene el sistema de agua. Vea “Despachadores de agua y hielo”.
- **¿Está la presión de agua a por lo menos 35 lbs/pulg² (241 kPa)?** La presión de agua de la casa determina el flujo del despachador. Vea “Requisitos del suministro de agua”.
- **¿Tiene un filtro de agua instalado en el refrigerador?** Saque el filtro y ponga a funcionar el despachador. Si mejora el flujo de agua, el filtro puede estar obstruido o haberse instalado incorrectamente. Reemplace el filtro o vuelva a instalarlo correctamente.
- **¿La característica de llenado medido del despachador de agua no ha despachado una cantidad correcta de agua?** Calibre el despachador de agua. Vea “Despachadores de agua y hielo”.
- **¿Está completamente cerrada la puerta del refrigerador?** Cierre la puerta con firmeza. Si no se cierra completamente, vea “Las puertas no cierran completamente”.
- **¿Ha quitado las puertas recientemente?** Asegúrese de que el conjunto de tubería/alambre del despachador de agua se haya vuelto a conectar como es debido en la parte superior de la puerta del refrigerador. Vea “Puertas y cajón del refrigerador”.
- **¿Se ha conectado un sistema de filtración de agua de ósmosis inversa al suministro de agua fría?** Esto puede hacer que disminuya la presión de agua. Vea “Requisitos del suministro de agua”.

Hay fugas de agua en el sistema del despachador

NOTA: Es normal que caigan una o dos gotas de agua después de despachar agua.

- **¿No se ha puesto el vaso debajo del despachador el tiempo suficiente?** Sostenga el vaso debajo del despachador por 2 a 3 segundos después de soltar la palanca del despachador.

- **¿Es nueva la instalación?** Enjuague el sistema de agua. Vea “Despachadores de agua y hielo”.
- **¿Ha cambiado recientemente el filtro de agua?** Enjuague el sistema de agua. Vea “Despachadores de agua y hielo”.

El agua del despachador está tibia

NOTA: El agua del despachador se enfría solamente a 50°F (10°C).

- **¿Es nueva la instalación?** Deje transcurrir 24 horas después de la instalación para que el suministro de agua se enfríe completamente.
- **¿Se ha despachado recientemente una gran cantidad de agua?** Deje transcurrir 24 horas para que el suministro de agua se enfríe completamente.
- **¿No se ha usado el despachador de agua recientemente?** Puede ser que el primer vaso de agua no esté frío. Descarte el agua del primer vaso.
- **¿Se ha conectado el refrigerador a una tubería de agua fría?** Asegúrese de que el refrigerador esté conectado a una tubería de agua fría. Vea “Requisitos del suministro de agua”.

HOJA DE DATOS DEL RENDIMIENTO

Sistema de filtración de agua Modelo UKF8001AXX-200/UKF8001 Capacidad de 200 galones (757 litros)



Sistema probado y certificado por NSF International según las normas NSF/ANSI Estándar 42, 53, 401 y CSA B483.1 para la reducción de contaminantes especificados en la Hoja de datos de rendimiento.

Este sistema ha sido probado según las normas NSF/ANSI 42, 53, 401 y CSA B483.1 para la reducción de las sustancias citadas a continuación. La concentración de las sustancias indicadas en agua que entra al sistema fue reducida a una concentración menor o igual al límite permitido para agua que sale del sistema, como se especifica en las normas NSF/ANSI 42, 53, 401 y CSA B483.1.

Reducción de sustancias Efectos estéticos	Concentración en el agua a tratar	Máximo permitido Concentración de producto en el agua	% promedio de reducción
Cloro, sabor/olor	2,0 mg/L ± 10%	50% reducción	97,6%
Clase de partículas I*	Por lo menos 10.000 partículas/mL	85% de reducción	98,8%
Reducción de contaminantes	Concentración en el agua a tratar	Máximo permitido Concentración de producto en el agua	% promedio de reducción
Plomo***: a pH 6,5/a pH 8,5	0,150 mg/L ±10%	0,010 mg/L	99,3%/99,3%
Mercurio: a pH 6,5/a pH 8,5	0,006 mg/L ±10%	0,002 mg/L	95,1%/95,0%
Asbesto	10 ⁷ a 10 ⁸ fibras/l ^{††}	>99%	>99%
Quistes†	50.000/L mín.	>99,95%	99,99%
Turbidez	11 NTU ±10%	0,5 NTU	98,1%
Atrazina	0,009 mg/L ± 10%	0,003 mg/L	94,4%
Benceno	0,015 mg/L ± 10%	0,005 mg/L	96,6%
Carbofurano	0,080 mg/L ± 10%	0,040 mg/L	86,8%
Lindano	0,002 mg/L ± 10%	0,0002 mg/L	98,8%
Paradichlorobenceno	0,225 mg/L ± 10%	0,075 mg/L	99,7%
Tetracloroetileno	0,015 mg/L ± 10%	0,005 mg/L	96,0%
Toxafeno	0,015 mg/L ± 10%	0,003 mg/L	93,8%
Atenolol	200 ±20%	30 ng/L	>95,9%
Endrina	0,006 mg/L± 10%	0,002 mg/L	96,7%
Etilbenceno	2,1 mg/L ± 10%	0,7 mg/L	99,9%
O-diclorobenceno	1,8 mg/L± 10%	0,6 mg/L	99,9%
2,4 - D	0,210 mg/L ± 10%	0,07 mg/L	97%
Carbamazepina	1400 ±20%	200 ng/L	>98,6%
DEET	1400 ±20%	200 ng/L	>98,5%
Linurón	140 ±20%	20 ng/L	>96,8%
Meprobamato	400 ±20%	60 ng/L	94,6%
Metolacor	1400 ±20%	200 ng/L	98,3%
Trimetoprima	140 ±20%	20 ng/L	>96,4%
Bisfenol A	2000 ±20%	300 ng/L	99,4%
Estrona	140 ±20%	20 ng/L	>96,7%
Nonilfenol	1400 ±20%	200 ng/L	>98,9%
Ibuprofeno	400 ±20%	60 ng/L	92,9%
Naproxeno	140 ±20%	20 ng/L	>96,3%
Fenitoína	200 ±20%	30 ng/L	>94,8%

Parámetros de la prueba: pH = 7,5 ±0,5, a menos que se indique otra cosa. Flujo= 0,78 gpm (2,95 Lpm). Presión = 60 lb/pulg.² (413,7 kPa). Temp. = 68 °F a 71,6 °F (20 °C a 22 °C). Capacidad de servicio nominal = 300 galones (1135 litros).

Los compuestos certificados bajo NSF 401 se consideran como "compuestos emergentes/incidentales". Los compuestos emergentes/incidentales son aquellos compuestos que se detectaron en suministros de agua potable en niveles de traza. Aunque se presenten solo en niveles de traza, estos compuestos pueden afectar la aceptación/percepción del público de la calidad del agua potable.

- Es importante que los requerimientos de operación, mantenimiento y reemplazo del filtro se lleven a cabo para que el producto se desempeñe tal como se ofrece en la publicidad. Pueden ocurrir daños a la propiedad si no se siguen todas las instrucciones.
- El cartucho desechable deberá cambiarse al menos cada 6 meses.
- Use el filtro de reemplazo UKF8001, pieza n.º EDR4RXD1/EDR4RXD1B. El precio sugerido de venta al por menor durante el año 2015 es de \$49,99 en EE. UU./\$49,95 en Canadá. Los precios están sujetos a cambio sin previo aviso.
- El sistema monitor del filtro mide la cantidad de agua que pasa a través del filtro y lo alerta cuando llega el momento de reemplazar el filtro. Para información sobre cómo verificar el estado del filtro de agua, vea "Uso de los controles" o "Sistema de filtración de agua" en las Instrucciones para el usuario o la Guía para el usuario.
- Después de cambiar el filtro de agua, enjuague el sistema de agua. Vea "Dispensadores de agua y hielo" o "Dispensador de agua" en las Instrucciones para el usuario o la Guía para el usuario.
- Estos contaminantes no se encuentran necesariamente en su suministro de agua. Si bien se realizaron las pruebas bajo condiciones de laboratorio estándares, el desempeño actual puede variar.
- El producto es para uso con agua fría únicamente.
- El sistema de agua deberá instalarse conforme a las leyes y normas estatales y locales.

*Tamaño de las partículas clase I: >0,5 a <1 um

***Conforme a los requisitos de reducción de plomo bajo la norma NSF/ANSI 53, según pruebas realizadas por Pace Analytical Services, Inc. (Servicios de análisis Pace Inc.)

†Basado en la filtración de quistes de *Cryptosporidium parvum*.

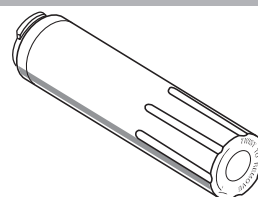
††Fibras mayores de 10 um de longitud.

© NSF es una marca registrada de NSF International.

- No use con agua que no sea microbiológicamente segura o que sea de calidad desconocida sin desinfectarla adecuadamente antes o después del sistema. Pueden usarse sistemas certificados para la reducción de partículas en aguas desinfectadas que puedan contener partículas filtrables. EPA Est. n.º 10350-MN-005.
- Consulte la sección "Garantía" (en las Instrucciones para el usuario o la Guía para el usuario) para ver la garantía limitada, el nombre y el número de teléfono del fabricante.

Pautas de aplicación / Parámetros para el suministro de agua

Suministro de agua	Agua potable de ciudad o de pozo
Presión de agua	35 - 120 psi (241 - 827 kPa)
Temperatura de agua	33° - 100 °F (1° - 38 °C)
Tasa de flujo de servicio	0,78 gpm (2,95 l/min.) a 60 psi



GARANTÍA LIMITADA DE LOS ELECTRODOMÉSTICOS PRINCIPALES DE WHIRLPOOL®

ADJUNTE SU RECIBO AQUÍ. SE REQUIERE LA PRUEBA DE COMPRA PARA OBTENER SERVICIO BAJO LA GARANTÍA.

Tenga a mano la siguiente información cuando llame al Centro para la eXperiencia del cliente:

- Nombre, dirección y número de teléfono
- Número de modelo y de serie
- Una descripción clara y detallada del problema
- Prueba de compra incluido el nombre y la dirección del distribuidor o vendedor

SI NECESITA SERVICIO TÉCNICO:

1. Antes de contactarnos para obtener servicio, determine si el producto requiere reparación. Algunas consultas pueden atenderse sin servicio técnico. Tómese unos minutos para revisar la sección de Solución de problemas o Problemas y soluciones del Manual de uso y cuidado, escanee el código QR que se encuentra a la derecha para acceder a los recursos adicionales o visite www.whirlpool.com/product_help.
2. Todos los servicios bajo la garantía los brindan exclusivamente Prestadores autorizados de servicio de Whirlpool. Para EE.UU. y Canadá, dirija todas las solicitudes de servicio bajo la garantía a:

Centro para la eXperiencia del cliente de Whirlpool

En EE.UU., llame al 1-800-253-1301. En Canadá, llame al 1-800-807-6777.



www.whirlpool.com/product_help

Si usted se encuentra fuera de los cincuenta Estados Unidos o Canadá, póngase en contacto con su distribuidor autorizado de Whirlpool para determinar si corresponde otra garantía.

GARANTÍA LIMITADA DE UN AÑO

LO QUE ESTÁ CUBIERTO

Durante un año a partir de la fecha de compra, siempre y cuando este electrodoméstico principal haya sido instalado, mantenido y operado según las instrucciones adjuntas o provistas con el producto, Whirlpool Corporation o Whirlpool Canada LP (en lo sucesivo denominado "Whirlpool") se hará cargo del costo de las piezas especificadas de fábrica y del trabajo de reparación para corregir defectos en los materiales o en la mano de obra existentes en el momento de la compra de este electrodoméstico principal o, a su sola discreción, reemplazará el producto. En el caso de reemplazar el producto, su electrodoméstico estará cubierto por la garantía por el tiempo restante del período de garantía de la unidad original.

SU ÚNICO Y EXCLUSIVO RECURSO SEGÚN LOS TÉRMINOS DE ESTA GARANTÍA LIMITADA SERÁ EL DE REPARAR EL PRODUCTO SEGÚN SE ESTIPULA EN LA PRESENTE. El servicio deberá ser suministrado por una compañía de servicio designada por Whirlpool. Esta garantía limitada es válida solamente en Estados Unidos o en Canadá y se aplica solamente cuando el electrodoméstico principal se use en el país en el que se ha comprado. Esta garantía limitada entrará en vigor a partir de la fecha de la compra del consumidor original. Se requiere una prueba de la fecha de compra original para obtener servicio bajo esta garantía limitada.

LO QUE NO ESTÁ CUBIERTO

1. Uso comercial, no residencial o familiar múltiple o uso diferente del indicado en las instrucciones del usuario, del operador o de instalación publicadas.
2. Instrucción a domicilio sobre cómo usar el producto.
3. Servicio para corregir el mantenimiento o la instalación incorrecta del producto, la instalación que no esté de acuerdo con los códigos eléctricos o de plomería o corrección de plomería o instalación eléctrica doméstica (por ejemplo, instalación eléctrica, fusibles o mangueras de entrada de agua del hogar).
4. Piezas de consumo (por ejemplo, focos de luz, baterías, filtros de agua o de aire, soluciones de conservación, etc.).
5. Defectos o daños causados por el uso de piezas o accesorios no legítimos de Whirlpool.
6. Conversión del producto de gas natural o gas L.P.
7. Daño causado por accidente, uso indebido, abuso, incendio, inundación, actos fortuitos o el empleo de productos no aprobados por Whirlpool.
8. Reparaciones a piezas o sistemas para corregir el daño o los defectos del producto a causa de reparaciones por servicio no autorizado, alteraciones o modificaciones en el electrodoméstico.
9. Daños estéticos, incluyendo rayaduras, abolladuras, desportilladuras u otro daño al acabado del electrodoméstico a menos que el mismo sea debido a defectos en los materiales o la mano de obra y se le informe a Whirlpool en un lapso de 30 días.
10. Decoloración, herrumbre u oxidación de las superficies producto de entornos corrosivos o cáusticos que incluyen, entre otras cosas, altas concentraciones de sal, humedad elevada o exposición a productos químicos.
11. Pérdida de comida o medicamentos debido a la falla del producto.
12. Recogida o entrega. Este producto está destinado para ser reparado en su hogar.
13. Gastos de viaje o de transporte para prestar servicio en lugares remotos en los cuales no haya disponible un técnico de servicio autorizado por Whirlpool.
14. Remoción o reinstalación de electrodomésticos en lugares inaccesibles o dispositivos empotrados (por ejemplo, adornos, paneles decorativos, pisos, armarios, islas, mostradores, paredes, etc.) que interfieren con el servicio, la remoción o el reemplazo del producto.
15. Servicio técnico o piezas para electrodomésticos con números de serie/modelo originales removidos, alterados o no identificados con facilidad.

El costo de la reparación o del reemplazo bajo estas circunstancias excluidas correrá por cuenta del cliente.

EXCLUSIÓN DE GARANTÍAS IMPLÍCITAS

LAS GARANTÍAS IMPLÍCITAS, INCLUYENDO CUALQUIER GARANTÍA IMPLÍCITA DE COMERCIABILIDAD O GARANTÍA IMPLÍCITA DE CAPACIDAD PARA UN PROPÓSITO PARTICULAR, SERÁN LIMITADAS A UN AÑO O AL PERÍODO MÁS CORTO PERMITIDO POR LEY. Algunos estados y provincias no permiten la limitación de la duración de las garantías implícitas de comerciabilidad o capacidad, de modo que la limitación arriba indicada quizá no le corresponda. Esta garantía le otorga derechos legales específicos y es posible que usted tenga también otros derechos que varían de un estado a otro o de una provincia a otra.

EXCLUSIÓN DE DECLARACIONES FUERA DE LA GARANTÍA

Whirlpool no hace declaraciones acerca de la calidad, durabilidad o necesidad de servicio técnico o reparación de este electrodoméstico principal aparte de las declaraciones incluidas en esta garantía. Si usted desea una garantía con una duración más prolongada o más completa que la garantía limitada que se incluye con este electrodoméstico principal, deberá dirigirse a Whirlpool o a su distribuidor acerca de la compra de una garantía extendida.

LIMITACIÓN DE RECURSOS; EXCLUSIÓN DE DAÑOS INCIDENTALES Y CONSECUENTES

SU ÚNICO Y EXCLUSIVO RECURSO SEGÚN LOS TÉRMINOS DE ESTA GARANTÍA LIMITADA SERÁ EL DE REPARAR EL PRODUCTO SEGÚN SE ESTIPULA EN LA PRESENTE. WHIRLPOOL NO SE RESPONSABILIZARÁ POR DAÑOS INCIDENTALES O CONSECUENTES. Algunos estados y provincias no permiten la exclusión o limitación de daños incidentales o consecuentes, de modo que estas limitaciones y exclusiones quizá no le correspondan. Esta garantía le otorga derechos legales específicos y es posible que usted tenga también otros derechos que varían de un estado a otro o de una provincia a otra.



INSTRUCTIONS D'UTILISATION DU RÉFRIGÉRATEUR

Nous vous REMERCIONS d'avoir acheté ce produit de haute qualité. Enregistrer votre nouveau réfrigérateur sur le site internet www.whirlpool.ca.

Pour référence ultérieure, consigner par écrit les numéros de modèle et de série de votre produit. Ceux-ci sont situés sur la paroi interne du compartiment de réfrigération.

Numéro de modèle _____ Numéro de série du produit _____

SÉCURITÉ DU RÉFRIGÉRATEUR

Votre sécurité et celle des autres est très importante.

Nous donnons de nombreux messages de sécurité importants dans ce manuel et sur votre appareil ménager. Assurez-vous de toujours lire tous les messages de sécurité et de vous y conformer.



Voici le symbole d'alerte de sécurité.

Ce symbole d'alerte de sécurité vous signale les dangers potentiels de décès et de blessures graves à vous et à d'autres.

Tous les messages de sécurité suivront le symbole d'alerte de sécurité et le mot "DANGER" ou "AVERTISSEMENT". Ces mots signifient :

⚠ DANGER

Risque possible de décès ou de blessure grave si vous ne suivez pas immédiatement les instructions.

⚠ AVERTISSEMENT

Risque possible de décès ou de blessure grave si vous ne suivez pas les instructions.

Tous les messages de sécurité vous diront quel est le danger potentiel et vous disent comment réduire le risque de blessure et ce qui peut se produire en cas de non-respect des instructions.

IMPORTANTES INSTRUCTIONS DE SÉCURITÉ

AVERTISSEMENT : Pour réduire les risques d'incendie, de choc électrique ou des blessures lors de l'utilisation du réfrigérateur, prendre quelques précautions fondamentales, y compris les suivantes :

- Brancher l'appareil sur une prise à 3 alvéoles reliée à la terre.
- Ne pas enlever la broche de liaison à la terre.
- Ne pas utiliser un adaptateur.
- Ne pas utiliser un câble de rallonge.
- Débrancher la source de courant électrique avant l'entretien.
- Replacer pièces et panneaux avant de faire la remise en marche.
- Enlever les portes de votre vieux réfrigérateur.
- Utiliser un produit de nettoyage ininflammable.
- Garder les matériaux et les vapeurs inflammables, telle que l'essence, loin du réfrigérateur.
- Utiliser deux ou plus de personnes pour déplacer et installer le réfrigérateur.
- Débrancher le réfrigérateur avant l'installation de la machine à glaçons (seulement pour modèles prêts à recevoir une machine à glaçons).
- Utiliser un verre robuste pour prendre des glaçons (sur certains modèles).
- Ne pas heurter les portes en verre du réfrigérateur (sur certains modèles).

CONSERVEZ CES INSTRUCTIONS

Avertissements de la proposition 65 de l'État de Californie :

AVERTISSEMENT : Ce produit contient au moins un produit chimique connu par l'État de Californie pour être à l'origine de cancers.

AVERTISSEMENT : Ce produit contient au moins un produit chimique connu par l'État de Californie pour être à l'origine de malformations et autres déficiences de naissance.

Mise au rebut de votre vieux réfrigérateur

⚠ AVERTISSEMENT

Risque de suffoquer

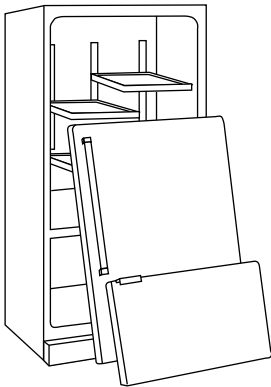
Enlever les portes de votre vieux réfrigérateur.

Le non-respect de cette instruction peut causer un décès ou des lésions cérébrales.

IMPORTANT : L'emprisonnement et l'étouffement des enfants ne sont pas un problème du passé. Les réfrigérateurs jetés ou abandonnés sont encore dangereux, même s'ils sont laissés abandonnés pendant "quelques jours seulement". Si vous vous débarrassez de votre vieux réfrigérateur, veuillez suivre les instructions suivantes pour aider à éviter les accidents.

Avant de jeter votre vieux réfrigérateur ou congélateur :

- Enlever les portes.
- Laisser les tablettes en place de sorte que les enfants ne puissent pas y pénétrer facilement.



Renseignements importants à propos de la mise au rebut des fluides réfrigérants :

Mettre le réfrigérateur au rebut conformément à la réglementation fédérale et locale. Les fluides réfrigérants doivent être évacués par un technicien certifié et agréé par l'EPA conformément aux procédures établies.

INSTRUCTIONS D'INSTALLATION

Déballage du réfrigérateur

⚠ AVERTISSEMENT

Risque du poids excessif

Utiliser deux ou plus de personnes pour déplacer et installer le réfrigérateur.

Le non-respect de cette instruction peut causer une blessure au dos ou d'autre blessure.

Dépose de l'emballage

- Enlever tout résidu de ruban adhésif et de colle des surfaces du réfrigérateur avant de le mettre en marche. Frotter une petite quantité de savon liquide pour la vaisselle sur l'adhésif avec les doigts. Rincer à l'eau tiède et essuyer.
- Ne pas utiliser d'instruments coupants, d'alcool à friction, de liquides inflammables ou de nettoyants abrasifs pour enlever le ruban adhésif ou la colle. Ces produits peuvent endommager la surface de votre réfrigérateur. Pour plus de renseignements, voir "Sécurité du réfrigérateur".
- Jeter ou recycler tous les matériaux d'emballage.

Déplacement de votre réfrigérateur :

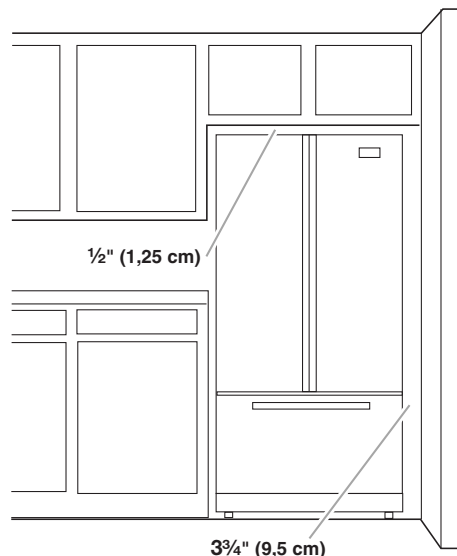
Votre réfrigérateur est lourd. Lors du déplacement de votre réfrigérateur pour le nettoyage ou un entretien ou réparation, veiller à recouvrir le plancher avec du carton ou un panneau de fibres dures pour éviter qu'il ne subisse tout dommage. Toujours tirer le réfrigérateur tout droit lors de son déplacement. Ne pas incliner le réfrigérateur d'un côté ou de l'autre ni le "faire marcher" en essayant de le déplacer car le plancher pourrait être endommagé.

Nettoyage avant l'utilisation

Après avoir enlevé tous les matériaux d'emballage, nettoyer l'intérieur du réfrigérateur avant de l'utiliser. Voir les instructions de nettoyage dans "Entretien du réfrigérateur".

Importants renseignements à savoir au sujet des tablettes et des couvercles en verre :

Ne pas nettoyer les tablettes ou couvercles en verre avec de l'eau tiède quand ils sont froids. Les tablettes et les couvercles peuvent se briser s'ils sont exposés à des changements soudains de température ou à un impact tel que coup brusque. Le verre trempé est conçu pour éclater en d'innombrables pièces minuscules. Ceci est normal. Les tablettes et les couvercles en verre sont lourds. Les saisir à deux mains lors de leur dépose afin d'éviter de les faire tomber.



Exigences d'emplacement

AVERTISSEMENT



Risque d'explosion

Garder les matériaux et les vapeurs inflammables, telle que l'essence, loin du réfrigérateur.

Le non-respect de cette instruction peut causer un décès, une explosion ou un incendie.

IMPORTANT : Ce réfrigérateur est conçu pour un usage domestique, à l'intérieur uniquement.

Pour assurer une ventilation convenable à votre réfrigérateur, laisser un espace de 1/2" (1,25 cm) au-dessus et de chaque côté du réfrigérateur. Laisser un espace de 1" (2,54 cm) derrière le réfrigérateur. Si votre réfrigérateur comporte une machine à glaçons, s'assurer qu'un espace additionnel est prévu à l'arrière pour permettre les connexions des conduites d'eau. En cas d'installation du réfrigérateur près d'un mur fixe, laisser un minimum de 3/4" (9,5 cm) entre le réfrigérateur et le mur pour permettre l'ouverture de la porte.

REMARQUE : Ce réfrigérateur est conçu pour être utilisé dans un endroit où la température est comprise entre un minimum de 55°F (13°C) et un maximum de 110°F (43°C). La plage de température ambiante idéale pour une performance optimale est comprise entre 60°F (15°C) et 90°F (32°C). Respecter cette plage de température permet de réduire la consommation d'électricité et d'optimiser l'efficacité du refroidissement. Il est recommandé de ne pas installer le réfrigérateur près d'une quelconque source de chaleur, telle qu'un four ou un radiateur.

Spécifications électriques

AVERTISSEMENT



Risque de choc électrique

Brancher sur une prise à 3 alvéoles reliée à la terre.

Ne pas enlever la broche de liaison à la terre.

Ne pas utiliser un adaptateur.

Ne pas utiliser un câble de rallonge.

Le non-respect de ces instructions peut causer un décès, un incendie ou un choc électrique.

Avant de placer le réfrigérateur à son emplacement final, il est important de vous assurer d'avoir la connexion électrique appropriée.

Méthode recommandée de mise à la terre

Une source d'alimentation de 115 volts, 60 Hz, type 15 ou 20 ampères CA seulement, protégée par fusibles et adéquatement mise à la terre est nécessaire. On recommande que le réfrigérateur et les accessoires approuvés soient alimentés par un circuit indépendant. Utiliser une prise murale qui ne peut pas être mise hors circuit à l'aide d'un commutateur. Ne pas utiliser de câble de rallonge.

REMARQUE : Avant d'exécuter tout type d'installation, nettoyage ou remplacement d'une ampoule d'éclairage, désactiver le refroidissement, et déconnecter ensuite le réfrigérateur de la source d'alimentation électrique. Lorsque l'on a terminé, reconnecter le réfrigérateur à la source d'alimentation électrique et réactiver le refroidissement. Voir "Utilisation de la/des commande(s)".

Spécifications de l'alimentation en eau

Rassembler les outils et pièces nécessaires avant de commencer l'installation. Lire et suivre les instructions fournies avec les outils indiqués ci-dessous.

OUTILLAGE REQUIS :

- Tournevis à lame plate
- Clés plates de 7/16" et 1/2" ou deux clés à molette réglables
- Tourne-écrou de 1/4"
- Foret de 1/4"
- Perceuse sans fil

IMPORTANT :

- Toutes les installations doivent être conformes aux exigences des codes locaux de plomberie.
- Ne pas employer de robinet d'arrêt à étrier de 3/16" (4,76 mm) ou de type à percer, ce qui réduit le débit d'eau et cause une obstruction plus facilement.
- Utiliser un tube en cuivre et vérifier l'absence de fuites. Installer les tubes en cuivre seulement à des endroits où la température se maintient au-dessus du point de congélation.
- Pour les modèles avec filtre à eau, le filtre à eau jetable doit être remplacé au moins tous les 6 mois.

Pression de l'eau

Une alimentation en eau froide avec une pression entre 35 et 120 lb/po² (241 et 827 kPa) est nécessaire pour faire fonctionner le distributeur d'eau et la machine à glaçons. Si vous avez des questions au sujet de la pression de votre eau, appeler un plombier qualifié agréé.

Alimentation en eau par osmose inverse

IMPORTANT : La pression de l'alimentation en eau entre le système d'osmose inverse et la valve d'arrivée d'eau du réfrigérateur doit être entre 35 et 120 lb/po² (241 et 827 kPa).

Si un système de purification de l'eau par osmose inverse est raccordé à votre alimentation en eau froide, la pression de l'eau au système doit être d'un minimum de 40 à 60 lb/po² (276 à 414 kPa).

Si la pression de l'eau au système d'osmose inverse est inférieure à 40 à 60 lb/po² (276 à 414 kPa) :

- Vérifier pour voir si le filtre à sédiment du système d'osmose inverse est bloqué et le remplacer si nécessaire.
- Laisser le réservoir du système d'osmose inverse se remplir après une utilisation intense.
- Si votre réfrigérateur a un filtre à eau, celui-ci peut réduire encore plus la pression de l'eau lorsqu'il est utilisé avec un système d'osmose inverse. Retirer le filtre à eau. Voir "Système de filtration de l'eau".

Si vous avez des questions au sujet de la pression de votre eau, appelez un plombier qualifié agréé.

Raccordement de la canalisation d'eau

Lire toutes les instructions avant de commencer.

IMPORTANT :

- L'installation de la plomberie doit être conforme au Code International de plomberie et respecter les codes et règlements locaux de plomberie.
- Le tuyau d'eau gris situé à l'arrière du réfrigérateur (et utilisé pour raccorder l'appareil à la canalisation d'eau du domicile) est un tuyau en polyéthylène réticulé (PEX). Il est possible d'utiliser des raccords en cuivre ou en polyéthylène réticulé pour le raccordement de la canalisation d'eau du domicile au réfrigérateur - ils contribuent à éviter que l'eau ait un goût ou une odeur désagréable. Vérifier qu'il n'y a pas de fuites.

Si l'on utilise un tuyau en polyéthylène réticulé au lieu d'un tuyau de cuivre, nous recommandons les numéros de pièce Whirlpool suivants :
W10505928RP (PEX chemisé de 7 pi [2,14 m]),
8212547RP (PEX de 5 pi [1,52 m]), ou
W10267701RP (PEX de 25 pi [7,62 m]).

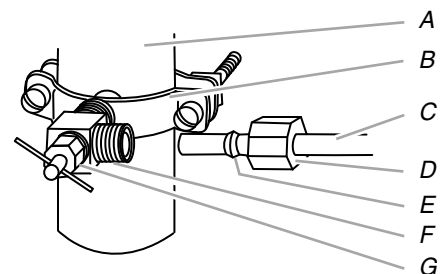
- Installer les tuyaux seulement là où les températures resteront au-dessus du point de congélation.
- Si l'on met en marche le réfrigérateur avant que la canalisation d'eau ne soit raccordée, éteindre la machine à glaçons pour éviter tout bruit excessif ou éviter d'endommager le robinet d'eau.

Raccordement à une canalisation d'eau

1. Débrancher le réfrigérateur ou déconnecter la source de courant électrique.
2. Fermer le robinet principal d'arrivée d'eau. Ouvrir le robinet de puisage le plus proche pendant une période suffisante pour que la canalisation d'eau se vide.
3. Trouver une canalisation d'eau froide verticale de 1/2" à 1 1/4" (12,7 mm à 31,8 mm) près du réfrigérateur.

IMPORTANT :

- S'assurer qu'il s'agit d'un conduit d'eau froide.
 - Un conduit horizontal fonctionnera, mais le procédé suivant doit être suivi : percer par le dessus de la canalisation et non pas par le dessous. Ainsi, l'eau ne risquera pas d'arroser la perceuse. Ceci empêche également les sédiments qu'on trouve normalement dans l'eau de s'accumuler dans le robinet.
4. Pour déterminer la longueur du tube en cuivre, il faut mesurer la distance entre le point de connexion au bas du côté arrière droit du réfrigérateur et le tuyau d'arrivée d'eau. Ajouter une longueur de 7 pi (2,1 m) pour permettre le déplacement du réfrigérateur pour le nettoyage. Utiliser un tube en cuivre de 1/4" (6,35 mm) de diamètre extérieur. Veiller à ce que le tube soit coupé d'équerre aux deux extrémités.
 5. À l'aide d'une perceuse sans fil, percer un trou de 1/4" dans la canalisation d'eau froide choisie.



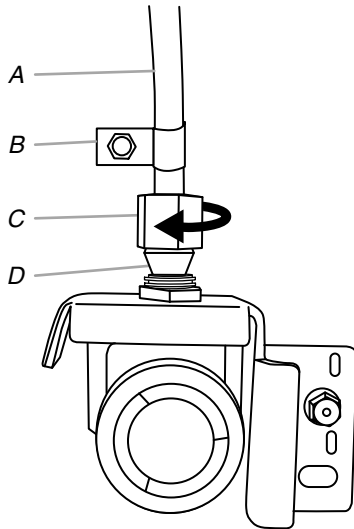
- A. Canalisation d'eau froide
- B. Bride de tuyau
- C. Tube en cuivre
- D. Écrou de compression
- E. Bague de compression
- F. Robinet d'arrêt
- G. Écrou de serrage

6. Fixer le robinet d'arrêt sur la canalisation d'eau froide avec la bride de tuyau. Vérifier que le raccord du robinet est bien engagé dans le trou de 1/4" percé dans la canalisation et que la rondelle d'étanchéité est placée sous la bride de tuyau. Serrer l'écrou de serrage. Serrer lentement et uniformément les vis de la bride de tuyau afin que la rondelle forme une jonction étanche. Ne pas serrer excessivement.
7. Enfiler l'écrou et la bague de compression du raccord sur le tube en cuivre comme on le voit sur l'illustration. Insérer l'extrémité du tube aussi loin que possible dans l'ouverture de sortie du robinet. Visser l'écrou de compression sur le raccord de sortie avec une clé à molette. Ne pas serrer excessivement car ceci pourrait provoquer l'écrasement du tube en cuivre.

- Placer le bout libre du tube dans un contenant ou évier et ouvrir le robinet principal d'arrivée d'eau et laisser l'eau s'écouler par le tube jusqu'à ce que l'eau soit limpide. fermer le robinet principal d'arrivée d'eau.

Raccordement au réfrigérateur

- Enlever le capuchon de plastique du robinet d'arrivée d'eau. Connecter le tube en cuivre au robinet d'eau en utilisant un écrou et une bague de compression tel qu'illustré. Serrer l'écrou de compression. Ne pas serrer excessivement. Vérifier que le tube en cuivre est fixé solidement en tirant sur le tube en cuivre.
- Créer une boucle de service avec le tube de cuivre. Éviter les déformations en pliant le tube de cuivre. Fixer le tube en cuivre à la caisse du réfrigérateur avec une bride en "P".



A. Tube en cuivre
B. Bride en "P"

C. Écrou de compression
D. Bague de compression

- Ouvrir l'arrivée d'eau au réfrigérateur et vérifier s'il y a des fuites. Corriger toute fuite.

Achever l'installation

⚠ AVERTISSEMENT



Risque de choc électrique

Brancher sur une prise à 3 alvéoles reliée à la terre.
Ne pas enlever la broche de liaison à la terre.
Ne pas utiliser un adaptateur.
Ne pas utiliser un câble de rallonge.
Le non-respect de ces instructions peut causer un décès, un incendie ou un choc électrique.

- Brancher sur une prise à 3 alvéoles reliée à la terre.

REMARQUE : Prévoir un délai de 24 heures pour la production du premier lot de glaçons. Jeter les trois premiers lots de glaçons produits. Prévoir un délai de 3 jours pour le remplissage complet du récipient à glaçons.

Portes et tiroir du réfrigérateur

Toutes les illustrations des instructions suivantes sont incluses plus loin dans cette section, après "Étapes finales".

OUTILLAGE REQUIS : Clés à douille à tête hexagonale de $\frac{5}{16}$ ", $\frac{3}{8}$ " et $\frac{1}{4}$ ", tournevis Phillips n° 2 et tournevis à lame plate.

IMPORTANT :

- Votre réfrigérateur peut être muni d'une porte réversible normale avec une porte ou un tiroir de congélateur ou des portes françaises. Suivre les instructions suivantes selon le style de porte de votre modèle.
- Toutes les illustrations mentionnées dans les instructions suivantes sont incluses plus loin dans cette section après "Étapes finales". Les illustrations correspondent à une porte normale s'ouvrant à droite (charnières installées à droite à l'usine).
- Si vous désirez seulement enlever et réinstaller les portes, voir "Démontage — Portes et charnières" et "Réinstallation — Portes et charnières".
- Avant de commencer, tourner la commande du réfrigérateur à arrêt et retirer les aliments et tout balconnet réglable ou compartiment utilitaire des portes.

Dépose et réinstallation des poignées

- Desserrer les deux vis de blocage situées sur le côté de chaque poignée à l'aide d'une clé hexagonale de $\frac{3}{32}$ " ou $\frac{1}{8}$ ". Tirer sur la poignée tout droit pour l'extraire de la porte. Veiller à conserver les vis pour la réinstallation des poignées. Poignées – voir l'illustration 1.
- Pour remettre les poignées en place, inversion les directions.

Dépose des portes et des charnières

IMPORTANT : Retirer les aliments et tout balconnet réglable ou compartiment utilitaire de la porte du réfrigérateur.

⚠ AVERTISSEMENT



Risque de choc électrique

Déconnecter la source de courant électrique avant d'enlever les portes.

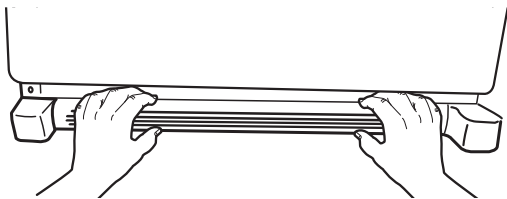
Le non-respect de cette instruction peut causer un décès ou un choc électrique.

- Débrancher le réfrigérateur ou déconnecter la source de courant électrique.

2. Laisser les portes du réfrigérateur fermées jusqu'à ce vous soyez prêt à les soulever pour les dégager de la caisse.

REMARQUE : Prévoir un support additionnel des portes pendant le retrait des charnières. La force d'attraction des aimants des portes ne suffit pas à les maintenir en place.

3. En commençant par la porte du côté droit, ôter les pièces de la charnière supérieure – voir l'illustration de la charnière supérieure. Soulever la porte du réfrigérateur de l'axe de la charnière inférieure.
4. Enlever le cache de la charnière supérieure du côté gauche de la porte du réfrigérateur.
5. Déconnecter la fiche de branchement située sur la partie supérieure de la charnière en coinçant un tournevis à lame plate ou votre ongle entre les deux sections. Voir l'illustration "Raccordements".
6. Déconnecter la canalisation d'eau en tirant le collet de blocage vers l'arrière tout en tirant sur la canalisation pour la dégager du conduit de raccordement. Voir l'illustration "Raccordements".
7. Enlever les pièces de la charnière supérieure - voir l'illustration de la charnière supérieure. Soulever la porte du côté gauche de l'axe de la charnière inférieure.
8. Retirer la grille de la base. Maintenir la grille fermement et la tirer vers soi.



9. À l'aide d'une clé à tête hexagonale de 3/8", retirer les brides des pieds de nivellement du bas de la caisse. Conserver les vis pour utilisation ultérieure.

Réinstallation des portes et des charnières

1. Assembler les pièces de la charnière supérieure. Voir l'illustration de la charnière supérieure. Ne pas complètement serrer les vis.
2. Replacer les pièces de la charnière inférieure. Voir l'illustration de la charnière inférieure. Resserrer les vis. Replacer la porte du réfrigérateur.
REMARQUE : Prévoir un support supplémentaire pour la porte du réfrigérateur pendant le déplacement des charnières. La force d'attraction des aimants des portes ne suffit pas à les maintenir en place.
3. Aligner correctement le bas de la porte du réfrigérateur avec le sommet du tiroir du congélateur. Serrer toutes les vis.
4. Reconnecter la fiche de branchement sur la partie supérieure de la porte du côté gauche du réfrigérateur.
5. Reconnecter la canalisation d'eau en tirant l'anneau du collet de blocage vers l'arrière tout en enfonçant fermement la canalisation d'eau dans le conduit de raccordement.
6. Inspecter pour rechercher des fuites. Réinstaller les caches de la charnière supérieure.

Retirer et réinstaller le tiroir du congélateur

IMPORTANT : Deux personnes peuvent être nécessaires pour retirer et réinstaller le tiroir de congélation. Les illustrations sont incluses plus loin dans cette section.

Dépose de la façade du tiroir

1. Ouvrir le tiroir de congélation complètement.
2. Desserrer les quatre vis fixant les glissières du tiroir à la façade du tiroir. Voir l'illustration de dépose de la façade du tiroir.

REMARQUE : Desserrer les vis en appliquant trois à quatre tours. Laisser les vis sur la façade du tiroir.

3. Glisser la façade du tiroir vers le haut et hors des vis. Voir l'illustration de dépose de la façade du tiroir.

Réinstallation de la façade du tiroir

1. Tirer les glissières du tiroir hors du compartiment de congélation. Insérer les vis au sommet de la façade du tiroir dans les trous situés sur les brides du tiroir. Voir l'illustration de réinstallation de la façade du tiroir.
2. Tirer les brides du tiroir vers soi pour placer les deux vis au bas de la façade du tiroir dans les brides. Voir l'illustration de réinstallation de la façade du tiroir.
3. Serrer complètement les quatre vis.

Étapes finales

1. Réinstaller la grille de la base.

⚠ AVERTISSEMENT



Risque de choc électrique

Brancher sur une prise à 3 alvéoles reliée à la terre.

Ne pas enlever la broche de liaison à la terre.

Ne pas utiliser un adaptateur.

Ne pas utiliser un câble de rallonge.

Le non-respect de ces instructions peut causer un décès, un incendie ou un choc électrique.

2. Brancher sur une prise à 3 alvéoles reliée à la terre.
3. Réinstaller toutes les pièces amovibles dans les portes et les tiroirs; ranger les aliments dans le réfrigérateur et le congélateur.



⚠ AVERTISSEMENT

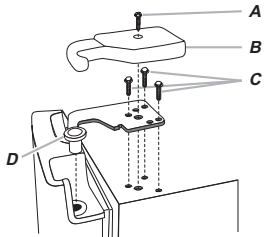
Risque de choc électrique

Déconnecter la source de courant électrique avant d'enlever les portes.

Le non-respect de cette instruction peut causer un décès ou un choc électrique.

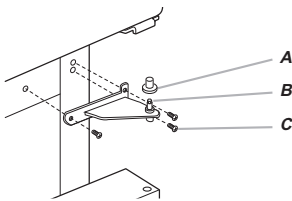
Dépose et réinstallation de la porte

Charnières supérieures



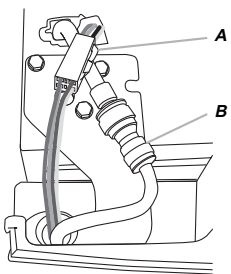
- A. Vis du couvercle de la charnière
- B. Couvercle de la charnière supérieure
- C. Vis à tête hexagonale de $\frac{5}{16}$ "
- D. Charnière supérieure

Charnières inférieures

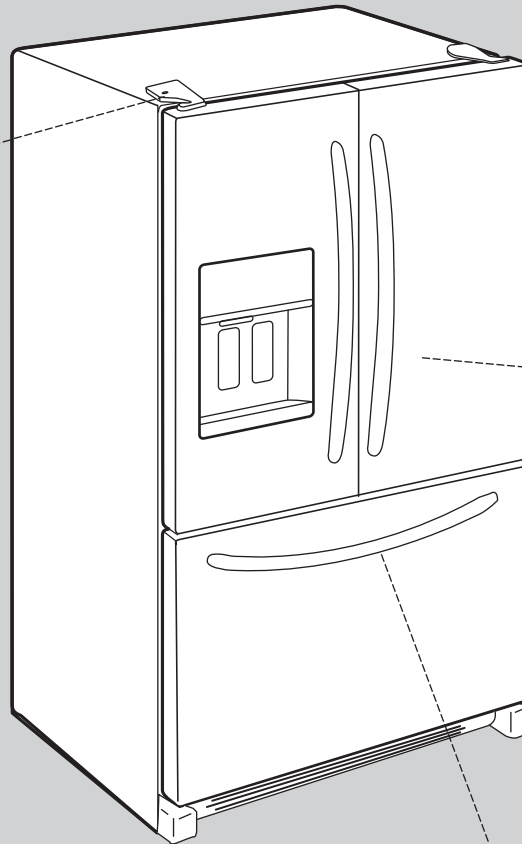


- A. Couvercle de l'axe de la charnière
- B. Charnière inférieure
- C. Vis de charnière

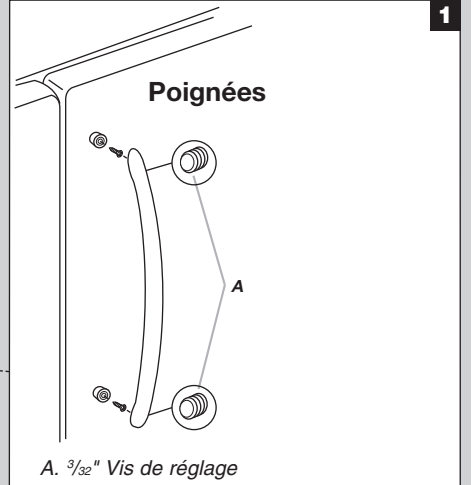
Raccordements



- A. Câblage
- B. Raccords de la canalisation d'eau

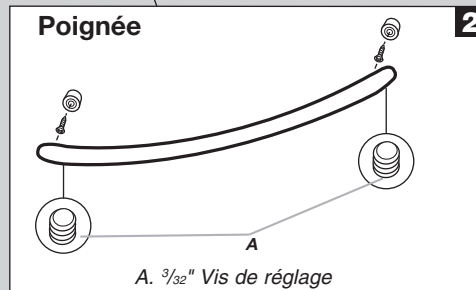


Poignées



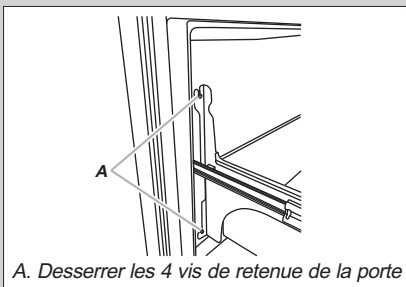
- A. $\frac{3}{32}$ " Vis de réglage

Poignée



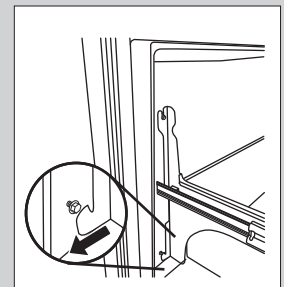
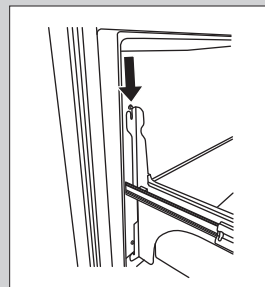
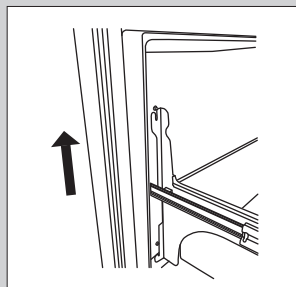
- A. $\frac{3}{32}$ " Vis de réglage

Dépose de la façade du tiroir



- A. Desserrer les 4 vis de retenue de la porte

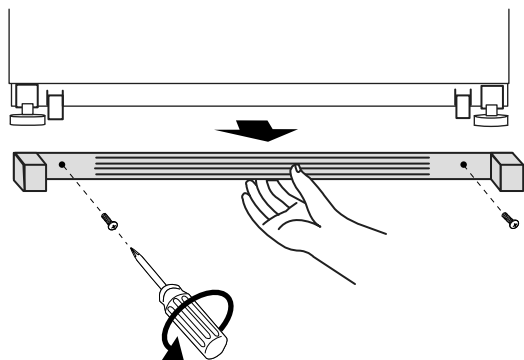
Réinstallation de la façade du tiroir



Ajustement des portes

IMPORTANT :

- Votre réfrigérateur a deux vis de nivellement réglables à l'avant - une de chaque côté de la base du réfrigérateur. Si votre réfrigérateur semble instable ou si vous désirez que les portes se ferment plus facilement, faire le réglage de l'inclinaison du réfrigérateur en suivant les instructions ci-dessous.
 - Avant de déplacer le réfrigérateur, soulever les vis pour que les roulettes avant touchent le sol.
1. Retirer les deux vis fixant la grille de la base au placard, et mettre les vis de côté. Saisir la grille et la tirer vers soi.

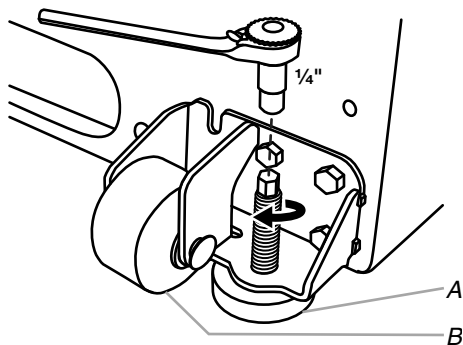


2. Soulever ou abaisser la caisse.

À l'aide d'un tournevis à tête hexagonale de 1/4", tourner la vis de réglage de l'aplomb pour soulever ou abaisser chaque côté du réfrigérateur.

REMARQUE : Si une autre personne pousse le haut du réfrigérateur, le poids devient moins lourd sur les vis de réglage de l'aplomb, ce qui rend plus facile l'ajustement des vis. Il peut être nécessaire de tourner la vis de réglage de l'aplomb de plusieurs tours pour ajuster l'inclinaison du réfrigérateur.

- Pour soulever, tourner la vis de réglage de l'aplomb dans le sens horaire.
- Pour abaisser, tourner la vis de réglage de l'aplomb dans le sens antihoraire.



A. Vis de réglage de l'aplomb
B. Roulette avant

3. Ouvrir de nouveau la porte et s'assurer qu'elle ferme aussi facilement que vous le souhaitez. Sinon, incliner légèrement le réfrigérateur vers l'arrière en tournant les deux vis de réglage de l'aplomb dans le sens horaire. Il faudra peut-être plusieurs tours et tourner les deux vis de façon égale.
4. Réinstaller la grille de la base.

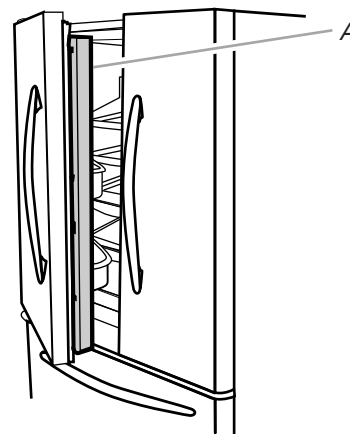
UTILISATION DU RÉFRIGÉRATEUR

Ouverture et fermeture des portes

Il y a deux portes pour le compartiment de réfrigération. Les portes peuvent être ouvertes et fermées séparément ou ensemble.

Il y a sur la porte de gauche du réfrigérateur un joint à charnière verticale.

- Lors de l'ouverture de la porte du côté gauche, le joint à charnière se replie automatiquement vers l'intérieur pour qu'il n'y ait pas d'interférence.
- Lorsque les deux portes sont fermées, le joint à charnière assure automatiquement l'étanchéité entre les deux portes.



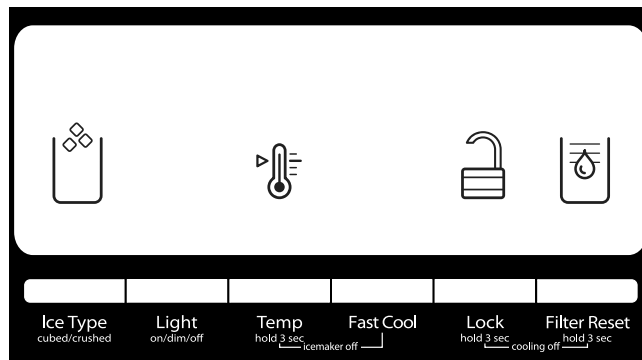
A. Joint à charnière

Utilisation des commandes

Les touches de commande du réfrigérateur et du congélateur sont situées sur le panneau du distributeur.

IMPORTANT : L'écran d'affichage sur le tableau de commande du distributeur s'éteint automatiquement et entre au mode "veille" lorsque les boutons de commande et les leviers de distribution n'ont pas été utilisés pendant au moins 2 minutes. Le fait d'appuyer une fois sur un bouton de commande au mode "veille" réactive uniquement l'écran d'affichage, sans modifier les réglages. Après réactivation, n'importe quel réglage peut alors être modifié. Si aucune modification n'est apportée dans les 2 minutes qui suivent, l'affichage passe de nouveau au mode "veille".

- Appuyer sur n'importe quel bouton de commande sur le tableau de distribution pour activer l'écran d'affichage. L'écran d'accueil apparaît tel qu'indiqué.



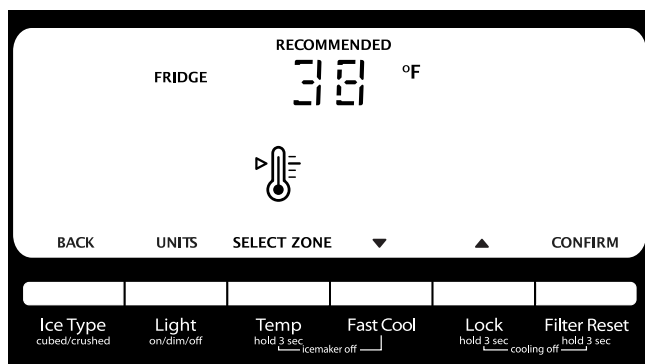
Ajustement des commandes

Pour votre confort, les commandes du réfrigérateur et du congélateur sont préréglées à l'usine. Lors de l'installation initiale du réfrigérateur, s'assurer que les commandes sont encore préréglées au "réglage moyen". Les points de réglage recommandés par l'usine sont 38°F (3°C) pour le réfrigérateur et 0°F (-18°C) pour le congélateur.

IMPORTANT :

- Attendre 24 heures avant d'ajouter des aliments dans le réfrigérateur. Si on ajoute des aliments alors que le réfrigérateur n'a pas complètement refroidi, les aliments risquent de s'abîmer.
REMARQUE : Ajuster la commande sur un réglage plus froid que celui qui est recommandé ne refroidira pas les compartiments plus rapidement.
- Si la température est trop tiède ou trop froide dans le réfrigérateur ou le congélateur, vérifier d'abord les événements pour s'assurer qu'ils ne sont pas bloqués, avant de régler les commandes.
- Les réglages préréglés devraient être corrects pour l'utilisation domestique normale. Les réglages sont faits correctement lorsque le lait ou le jus sont aussi froids que vous l'aimez et lorsque la crème glacée est ferme.
- Attendre au moins 24 heures entre les ajustements. Vérifier de nouveau les températures avant de procéder à d'autres ajustements.

Pour visualiser et ajuster les points de réglage, appuyer pendant 3 secondes sur la touche TEMP (température). Lorsque le mode de réglage est activé, les données d'ajustement apparaissent sur l'écran d'affichage.



REMARQUE : Pour visualiser les températures en Celsius, appuyer sur la touche LIGHT (éclairage) lorsque le mode de réglage est activé. Pour revenir au mode d'affichage en Fahrenheit, appuyer de nouveau sur LIGHT.

- Lorsque le mode de réglage est activé, l'écran d'affichage indique le point de réglage du réfrigérateur et "FRIDGE" (réfrigérateur) apparaît.
- Appuyer sur LOCK (verrouillage) pour augmenter le point de réglage, ou sur FAST COOL (glace rapides) pour le réduire.
- Après avoir fini de visualiser (et d'ajuster, si désiré) le point de réglage du réfrigérateur, appuyer sur TEMP (température) pour modifier l'affichage et faire apparaître le point de réglage du congélateur. Une fois le changement de zone effectué, "FREEZER" (congélateur) apparaît sur l'écran d'affichage.
- Appuyer sur LOCK (verrouillage) pour augmenter le point de réglage, ou sur FAST COOL pour le réduire.

- Après avoir fini de visualiser (et d'ajuster, si désiré) les points de réglage du réfrigérateur et du congélateur, appuyer sur FILTER (filtre) pour sauvegarder les réglages.

REMARQUE : Pour sortir sans sauvegarder les modifications, appuyer sur ICE TYPE (type de glace) à tout moment à partir du mode de réglage ou laisser 60 secondes d'inactivité s'écouler; le mode de réglage s'éteindra automatiquement.

Pour ajuster les points de réglage de température, utiliser le tableau suivant comme guide.

CONDITION :	AJUSTEMENT DE LA TEMPÉRATURE :
RÉFRIGÉRATEUR trop froid	Réglage du RÉFRIGÉRATEUR 1° plus haut
RÉFRIGÉRATEUR trop tiède	Réglage du RÉFRIGÉRATEUR 1° plus bas
CONGÉLATEUR trop froid	Réglage du CONGÉLATEUR 1° plus haut
CONGÉLATEUR trop tiède/ trop peu de glaçons	Réglage du CONGÉLATEUR 1° plus bas

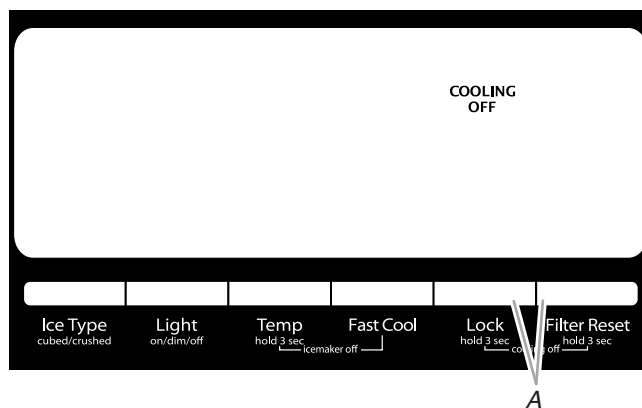
La gamme de valeurs de réglage pour le réfrigérateur va de 33°F à 45°F (0°C à 7°C). La gamme de valeurs de réglage pour le congélateur va de -5°F à 5°F (-21°C à -15°C).

Refroidissement On/Off (marche/arrêt)

Ni le réfrigérateur, ni le congélateur ne refroidiront lorsque le refroidissement est désactivé.

- Pour désactiver le refroidissement, appuyer simultanément sur les boutons LOCK (verrouillage) et FILTER (filtre) pendant 3 secondes. Lorsque le refroidissement est désactivé, "COOLING OFF" (refroidissement désactivé) apparaît sur l'écran d'affichage.

IMPORTANT : Afin d'éviter de verrouiller le distributeur ou de modifier des réglages involontairement, veiller à appuyer sur les deux boutons exactement au même moment.



A. Appuyer simultanément sur LOCK (verrouillage) et FILTER RESET (réinstallation du filtre).

Appuyer de nouveau pendant 3 secondes sur LOCK (verrouillage) et FILTER (filtre) pour réactiver le refroidissement.

Caractéristiques supplémentaires

Fast Cool (glace rapides)

La caractéristique Fast Cool est utile lors de périodes d'utilisation intense de glaçons, de l'addition d'un grand nombre d'aliments ou de l'élévation temporaire de la température de la pièce.

- Appuyer sur la touche FAST COOL pour activer la caractéristique de glace rapides. Lorsque cette caractéristique est activée, l'icône "Fast Cool" apparaît sur l'écran d'affichage du distributeur. Le réglage Fast Cool demeure activé pendant 24 heures à moins d'être annulé manuellement.



- Pour désactiver manuellement la caractéristique Fast Cool, appuyer de nouveau sur FAST COOL ou ajuster le point de réglage de température du réfrigérateur. L'icône Fast Cool disparaît lorsque cette caractéristique est désactivée.

REMARQUE : Le réglage du congélateur à une température plus froide peut rendre certains aliments, comme la crème glacée, plus durs.

Alarme de porte entrouverte

La caractéristique d'alarme de porte entrouverte fait entendre un signal d'alarme lorsque la porte du réfrigérateur ou du congélateur est ouverte pendant 5 minutes et que le système de refroidissement fonctionne. L'alarme retentira toutes les 2 minutes. Fermer les deux portes pour l'arrêter. La caractéristique se réinitialise ensuite et se réactive si l'une des deux portes est de nouveau laissée ouverte pendant 5 minutes.

REMARQUE : Pour que l'alarme sonore cesse de retentir tout en gardant les portes ouvertes, comme lors du nettoyage de l'intérieur du réfrigérateur, appuyer sur n'importe quel bouton sur le tableau de commande. Le son de l'alarme sera temporairement supprimé, mais l'icône de porte entrouverte restera affichée sur le tableau de commande du distributeur.



Témoin lumineux du filtre à eau et réinstallation du filtre

La commande de réinstallation du filtre permet de réinitialiser la caractéristique de suivi du statut du filtre à eau chaque fois que l'on change le filtre à eau. Voir "Système de filtration d'eau".

- Appuyer sur FILTER RESET (réinitialisation du filtre) pendant 3 secondes, jusqu'à ce que le témoin "Replace Filter" (remplacer le filtre) s'éteigne.

Réglage de l'humidité dans le bac à légumes

On peut contrôler le degré d'humidité dans le bac à légumes étanche. Selon le modèle, on peut appliquer les réglages suivants : FRUIT (fruits) et VEGETABLES (légumes) ou LOW (faible) et HIGH (élevé).

FRUIT (fruits)/LOW (bas) [ouvert] pour une meilleure conservation des fruits et légumes à peaux.

VEGETABLES (légumes)/HIGH (élevé) [fermé] pour une meilleure conservation des légumes à feuilles frais.

Machine à glaçons et bac d'entreposage

IMPORTANT:

- Vidanger le système d'eau avant d'allumer la machine à glaçons. Voir "Distributeurs d'eau et de glaçons."
- La machine à glaçons et le bac d'entreposage de glaçons sont situés dans le coin supérieur droit du compartiment de réfrigération.

Mise en marche/arrêt de la machine à glaçons

La machine à glaçons comporte un système d'arrêt automatique. Lorsque la machine à glaçons est en marche, les capteurs interrompent automatiquement la production de glaçons lorsque le bac à glaçons est plein. La machine à glaçons reste réglée à ON et la production de glaçons reprend lors que bac n'est plus plein.

Pour éteindre la machine à glaçons manuellement, appuyer simultanément sur TEMP et FAST COOL pendant 3 secondes, jusqu'à ce que le témoin "Ice Maker Off" (machine à glaçons arrêtée) s'allume. Lors que la machine à glaçons est éteinte, la production de glaçons est arrêtée.

Appuyer de nouveau sur TEMP et FAST COOL pendant 3 secondes allume la machine à glaçons et l'icône "Ice Maker Off" (machine à glaçons arrêtée) disparaît.

Dépose et réinstallation du bac d'entreposage à glaçons

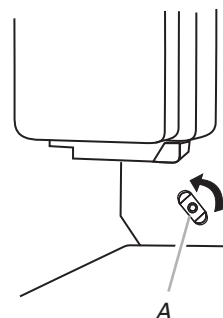
Pour retirer le bac d'entreposage à glaçons :

1. Maintenir la base du bac d'entreposage et appuyer sur le bouton de déclenchement.
2. Retirer le bac d'entreposage.

Pour réinstaller le bac d'entreposage à glaçons :

IMPORTANT : Il peut être nécessaire de tourner la vis autobloquante, derrière le bac à glaçons, dans le sens antihoraire pour aligner correctement le bac à glaçons avec la vis autobloquante. Le bac d'entreposage à glaçons doit être bloqué en place pour une distribution appropriée de glaçons.

1. Glisser le bac à glaçons dans les glissières situées de chaque côté de l'enceinte.
2. Pousser le bac à glaçons jusqu'à sentir une résistance. Soulever légèrement la façade et enfoncer le bac à glaçons jusqu'à entendre un "clic".



A. Vis autobloquante

Taux de production de glaçons

- Prévoir 24 heures pour la production du premier lot de glaçons. Jeter les trois premiers lots de glaçons produits.
- La machine à glaçons devrait produire approximativement 8 à 12 lots de glaçons au cours d'une période de 24 heures.

- Pour augmenter la production de glaçons, diminuer la température du congélateur et du réfrigérateur. Voir "Utilisation des commandes". Attendre 24 heures entre les ajustements.

REMARQUE : Le réglage du congélateur à une température plus froide peut rendre certains aliments, comme la crème glacée, plus durs.

À noter

- La qualité de vos glaçons dépend de la qualité de l'eau fournie à votre machine à glaçons. Éviter de brancher la machine à glaçons à un approvisionnement d'eau adoucie. Les produits chimiques adoucisseurs d'eau (tels que le sel) peuvent endommager des pièces de la machine à glaçons et causer une piètre qualité des glaçons. Si une alimentation d'eau adoucie ne peut pas être évitée, s'assurer que l'adoucisseur d'eau fonctionne bien et qu'il est bien entretenu.
- Ne pas utiliser un objet pointu pour briser les glaçons dans le bac d'entreposage. Cette action peut endommager le bac à glaçons et le mécanisme du distributeur.
- Ne pas garder quoi que ce soit dans le bac à glaçons.

Distributeurs d'eau et de glaçons

IMPORTANT : Après avoir raccordé le réfrigérateur à une source d'alimentation en eau ou remplacé le filtre à eau, vidanger le circuit d'eau. Utiliser un récipient robuste pour appuyer sur le levier du distributeur d'eau pendant 5 secondes, puis relâcher le levier pendant 5 secondes. Répéter l'opération jusqu'à ce que l'eau commence à couler. Une fois que l'eau commence à couler, continuer d'appuyer puis de relâcher le levier du distributeur (appui pendant 5 secondes, relâchement pendant 5 secondes) jusqu'à ce qu'un total de 4 gal (15 L) soit distribué. Ceci évacue l'air du filtre et du système de distribution d'eau et prépare le filtre à eau pour utilisation. Une vidange supplémentaire peut être nécessaire dans certains domiciles. Pendant l'évacuation de l'air du système, de l'eau peut gicler du distributeur.

REMARQUES :

- Le système de distribution ne fonctionne pas lorsque la porte du réfrigérateur est ouverte.
- Accorder 24 heures pour que le réfrigérateur se refroidisse et refroidisse l'eau.
- Accorder 24 heures pour produire la première quantité de glaçons. Jeter les trois premières quantités de glaçons produites.
- L'écran d'affichage sur le tableau de commande du distributeur s'éteint automatiquement et entre au mode "veille" lorsque les boutons de commande et les leviers de distribution n'ont pas été utilisés pendant au moins 2 minutes. Le fait d'appuyer une fois sur un bouton de commande au mode "veille" réactive uniquement l'écran d'affichage, sans modifier les réglages. Après réactivation, n'importe quel réglage peut alors être modifié. Si aucune modification n'est apportée dans les 2 minutes qui suivent, l'affichage passe de nouveau au mode "veille".

Le distributeur d'eau

IMPORTANT : Puiser une quantité suffisante d'eau chaque semaine pour maintenir un approvisionnement frais.

Distribution d'eau :

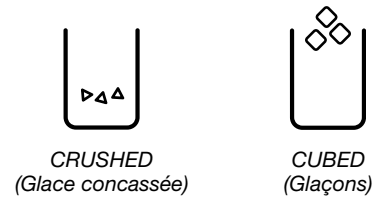
1. Appuyer un verre robuste contre le levier du distributeur d'eau.
2. Retirer le verre pour arrêter la distribution.

Le distributeur de glaçons

La glace tombe du bac d'entreposage de la machine à glaçons dans le congélateur lorsqu'on appuie sur le levier du distributeur. Pour éteindre la machine à glaçons, voir "Machine à glaçons et bac d'entreposage".

La machine à glaçons peut produire à la fois de la glace concassée et des glaçons. Avant toute distribution de glace, sélectionner le type de glace préféré avec le bouton ICE TYPE (type de glace).

L'écran d'affichage indique le type de glace sélectionné.



Pour de la glace concassée, les glaçons sont concassés avant d'être distribués. Cette action peut causer un court délai lors de la distribution de glace concassée. Le bruit du broyeur de glaçons est normal et la dimension des morceaux de glace peut varier. Lorsqu'on passe du mode glace concassée au mode glaçons, quelques onces de glace concassée sont distribuées avec les premiers glaçons.

Distribution de glace :

1. S'assurer que le type de glaçons désiré est bien sélectionné. Pour passer de glaçons à glace concassée, appuyer sur ICE TYPE (type de glace).

⚠ AVERTISSEMENT



Risque de coupure

Utiliser un verre robuste pour prendre des glaçons.

Le non-respect de cette instruction peut causer des coupures.

2. Appuyer un verre robuste contre le levier de distribution de glaçons. Tenir le verre près de l'ouverture du distributeur pour que les glaçons ne tombent pas à côté du verre.

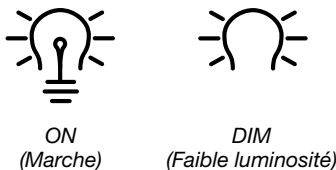
IMPORTANT : Il n'est pas nécessaire d'exercer une pression importante sur le levier pour activer le distributeur de glaçons. Une pression forte ne donne pas une distribution plus rapide de glaçons ou des quantités plus grandes.

3. Retirer le verre pour arrêter la distribution.

REMARQUE : La distribution de glaçons peut se poursuivre jusqu'à 10 secondes après que le verre a été éloigné du levier. Le distributeur peut continuer à faire du bruit pendant quelques secondes après la distribution.

La lampe du distributeur

Lorsqu'on utilise le distributeur, la lampe s'allume automatiquement. Pour avoir la lumière allumée en permanence, sélectionner ON ou DIM. L'écran d'affichage indique le mode sélectionné.



ON (marche) : Appuyer sur LIGHT (lumière) pour allumer la lampe du distributeur.

DIM (faible luminosité) : Appuyer sur LIGHT une deuxième fois pour sélectionner le mode DIM. La lampe du distributeur restera allumée, mais à une intensité plus faible.

OFF (arrêt) : Appuyer sur LIGHT une troisième fois pour éteindre la lampe du distributeur.

Les lampes du distributeur sont des DEL qui ne peuvent pas être remplacées. Si les lampes du distributeur ne fonctionnent pas, voir la section "Dépannage" pour plus d'informations.

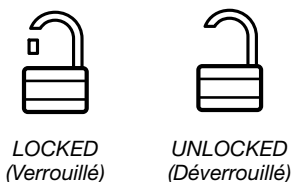
Le verrouillage du distributeur

Le distributeur peut être verrouillé pour un nettoyage facile ou pour éviter la distribution involontaire par de jeunes enfants ou des animaux de compagnie.

REMARQUE : La caractéristique de verrouillage ne coupe pas le courant électrique au réfrigérateur, à la machine à glaçons ou à la lumière du distributeur. Cela désactive tout simplement les commandes et les leviers du distributeur. Pour éteindre la machine à glaçons, voir "Machine à glaçons et bac d'entreposage".

- Appuyer sur LOCK pendant 3 secondes pour verrouiller le distributeur.
- Appuyer à nouveau sur LOCK pendant 3 secondes pour déverrouiller le distributeur.

L'écran d'affichage indique si le distributeur est verrouillé.



Système de filtration de l'eau

Le filtre à eau se situe dans le coin supérieur droit du compartiment de réfrigération.

Ne pas utiliser pour le filtrage d'une eau microbiologiquement polluée ou de qualité inconnue en l'absence d'un dispositif de désinfection adéquat avant ou après le système. Les systèmes certifiés pour la réduction de kyste peuvent être utilisés pour l'eau désinfectée qui peut contenir des kystes filtrables.

Témoin lumineux de l'état du filtre à eau

Lorsque le filtre à eau est installé dans le réfrigérateur, les témoins lumineux du filtre à eau vous aideront à savoir quand changer le filtre à eau.

- L'icône du témoin du filtre à eau passera de Normal (eau bleue) à Order (commander) (ondulations rouges) et "Order Filter" (commander filtre) (orange) lorsque 90 % du volume d'eau pour lequel le filtre est paramétré est passé par le filtre OU lorsque 5 mois se sont écoulés depuis l'installation du filtre.
- L'icône "Replace Filter" (remplacer le filtre) (rouge) s'allume et clignote continuellement lors de la distribution lorsque le volume d'eau paramétré est passé par le filtre OU lorsque 6 mois se sont écoulés depuis l'installation du filtre. Un nouveau filtre doit être installé immédiatement lorsque le témoin lumineux Replace s'allume.
- Après 14 jours à l'étape "Replace Filter" (remplacer le filtre), les icônes "Replace Filter" et "water" (eau) s'allument (rouge) en permanence et clignent continuellement pendant la distribution. De plus, un signal d'alerte retentira trois fois après la distribution.

Le filtre à eau jetable doit être remplacé au moins tous les 6 mois. Si le débit d'eau au distributeur d'eau ou à la machine à glaçons diminue de façon marquée avant que 6 mois ne se soient écoulés, remplacer le filtre à eau plus souvent.

Réinitialisation du statut du filtre à eau

Après avoir remplacé le filtre à eau, réinitialiser le témoin lumineux de l'état du filtre. Sur l'écran d'affichage, appuyer sur FILTER RESET pendant 3 secondes. Le témoin lumineux passera de Replace Filter (remplacer filtre) (rouge) à Normal (eau bleue) lorsque le système est réinitialisé.

Remplacement du filtre à eau

Pour acheter un filtre à eau de rechange, numéro de modèle UKF8001AXX-200, contacter votre marchand ou appeler le **1-877-253-1301** aux États-Unis ou le **1-800-422-9991** au Canada.

IMPORTANT : L'air emprisonné dans le système d'eau peut provoquer une expulsion de l'eau et du filtre. Toujours faire couler l'eau pendant au moins 2 minutes avant de retirer le filtre ou le bouchon de dérivation bleu.

1. Pour accéder au filtre, appuyer vers le haut sur la section ondulée du couvercle du filtre à eau.
2. Tourner le filtre dans le sens antihoraire pour le retirer.
3. Retirer l'étiquette de scellement du filtre de rechange et insérer l'extrémité du filtre dans la tête du filtre.
4. Tourner le filtre dans le sens horaire jusqu'à la butée. Emboîter le couvercle du filtre pour fermer.
5. Vidanger le système d'approvisionnement en eau. Voir "Distributeurs d'eau et de glaçons".

REMARQUE : Le distributeur peut être utilisé sans installer de filtre à eau. L'eau ne sera pas filtrée. Si cette option est choisie, remplacer le filtre par un bouchon de dérivation bleu.

ENTRETIEN DU RÉFRIGÉRATEUR

Nettoyage

AVERTISSEMENT



Risque d'explosion

Utiliser un produit de nettoyage ininflammable.

Le non-respect de cette instruction peut causer un décès, une explosion ou un incendie.

Les sections de réfrigération et de congélation se dégivrent automatiquement. Toutefois, nettoyer les deux sections environ une fois par mois pour éviter une accumulation d'odeurs. Essuyer les renversements immédiatement.

IMPORTANT :

- Comme l'air circule entre les deux sections, toutes les odeurs formées dans une section seront transférées à l'autre. Vous devez nettoyer à fond les deux sections pour éliminer les odeurs. Pour éviter le transfert d'odeurs et l'assèchement des aliments, envelopper ou recouvrir hermétiquement les aliments.
- Ne pas utiliser des nettoyeurs abrasifs tels que les nettoyeurs à vitre en atomiseurs, nettoyeurs à récurer, liquides inflammables, cires nettoyantes, détergents concentrés, agents de blanchiment ou nettoyeurs contenant du pétrole sur les pièces en plastique, les garnitures intérieures et de portes ou les joints de portes. Ne pas utiliser d'essuie-tout, tampons à récurer ou autres outils de nettoyage abrasifs pouvant endommager ou érafler les matériaux.

Nettoyage de l'intérieur

1. Débrancher le réfrigérateur ou déconnecter la source de courant électrique.
2. Laver à la main, rincer et sécher les pièces amovibles et les surfaces internes à fond. Utiliser une éponge propre ou un linge doux et un détergent doux dans de l'eau tiède.
3. Brancher le réfrigérateur ou reconnecter la source de courant électrique.

Nettoyage de l'écran tactile sur le panneau d'affichage

1. Pour éviter de modifier involontairement les réglages, s'assurer que le réfrigérateur est débranché ou que l'alimentation électrique est déconnectée avant d'essuyer l'écran.

2. Mélanger une solution de détergent doux dans de l'eau tiède. Imprégner un chiffon doux sans charpie de la solution et essuyer doucement l'écran.
REMARQUE : Ne pas asperger ou essuyer des liquides directement sur l'écran ou ne pas mouiller excessivement le chiffon.
3. Brancher le réfrigérateur ou reconnecter la source de courant électrique.

Nettoyage des surfaces extérieures

1. Débrancher le réfrigérateur ou déconnecter la source de courant électrique.
2. Laver les surfaces extérieures en acier inoxydable ou en métal peint avec une éponge propre ou un linge doux et un détergent doux dans de l'eau tiède.
 - Pour que votre réfrigérateur en acier inoxydable conserve son aspect neuf et pour enlever les petites égratignures ou marques, il est suggéré d'utiliser le nettoyant et poli pour acier inoxydable n° 4396095 approuvé par le fabricant. Pour commander le produit de nettoyage, composer le **1-800-422-9991** (É.-U.) ou le **1-800-807-6777** (Canada).

IMPORTANT : Ce nettoyant doit être utilisé sur les pièces en acier inoxydable uniquement!

Veiller à ce que le nettoyant et poli pour acier inoxydable n'entre pas en contact avec les pièces de plastique telles que garnitures, couvercles de distributeurs ou joints de porte. En cas de contact non intentionnel, nettoyer la pièce de plastique avec une éponge et un détergent doux dans de l'eau tiède. Sécher parfaitement avec un linge doux.

3. Brancher le réfrigérateur ou reconnecter la source de courant électrique.

Nettoyage du condenseur

Le condenseur n'a pas besoin d'être nettoyé souvent dans des conditions de fonctionnement normales. Si l'environnement est particulièrement gras, poussiéreux, ou s'il y a des animaux domestiques dans la maison, le condenseur devrait être nettoyé tous les deux ou trois mois pour assurer une efficacité maximum.

Si vous avez besoin de nettoyer le condenseur :

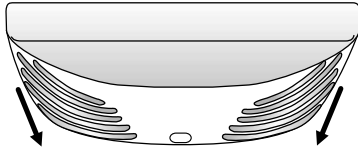
1. Débrancher le réfrigérateur ou déconnecter la source de courant électrique.
2. Retirer la grille de la base.
3. Utiliser un aspirateur à brosse douce pour nettoyer la grille, les endroits ouverts derrière la grille et la surface à l'avant du condenseur.
4. Replacer la grille de la base lorsqu'on a terminé.
5. Brancher le réfrigérateur ou reconnecter la source de courant électrique.

Remplacement de l'ampoule d'éclairage

IMPORTANT : Les ampoules des compartiments de réfrigération et de congélation du nouveau réfrigérateur sont issues de la technologie DEL. Si les lampes ne s'allument pas lorsqu'on ouvre la porte du réfrigérateur et/ou congélateur, composer les numéros fournis pour assistance ou dépannage. Consulter la garantie pour connaître les numéros de téléphone.

1. Débrancher le réfrigérateur ou déconnecter la source de courant électrique.
2. Retirer le protège-ampoule (sur certains modèles).

- Sommet du compartiment de réfrigération - Faire glisser le protège-ampoule vers l'arrière du compartiment pour le libérer de l'ensemble d'éclairage.



3. Retirer la/les DEL grillée(s) et la/les remplacer par une ampoule de même taille, forme et puissance.
 - Pour remplacer l'ampoule du compartiment de congélation par une ampoule DEL, commander la pièce numéro W10565137 (3,6 watts).

REMARQUE : Certaines ampoules DEL de rechange ne sont pas recommandées pour des environnements humides/mouillés. Les compartiments de réfrigération et de congélation sont considérés comme des environnements humides/mouillés. Si l'on utilise une marque d'ampoules DEL différente de celle des ampoules recommandées, lire et suivre toutes les instructions de l'emballage des ampoules DEL avant de procéder à l'installation.

- Si l'on utilise une ampoule à incandescence pour remplacer l'ampoule DEL, utiliser uniquement des ampoules à incandescence pour les appareils ménagers de 40 watts maximum.
4. Réinstaller le protège-ampoule.
 5. Brancher le réfrigérateur ou reconnecter la source de courant électrique.

DÉPANNAGE

Essayer d'abord les solutions suggérées ici. Pour obtenir de l'aide ou des conseils qui permettront peut-être d'éviter une intervention de dépannage, consulter la page de garantie de ce manuel et scanner le code avec votre appareil intelligent, ou consulter le site internet www.whirlpool.com/product_help ou www.whirlpool.ca.

Vous pouvez adresser tous commentaires ou questions par courrier à l'adresse ci-dessous :

Aux États-Unis :

Whirlpool Brand Home Appliances
Customer eXperience Center
553 Benson Road
Benton Harbor, MI 49022-2692

Au Canada :

Whirlpool Brand Home Appliances
Customer eXperience Centre
200 - 6750 Century Ave.
Mississauga ON L5N 0B7

Dans votre correspondance, veuillez indiquer un numéro de téléphone où l'on peut vous joindre dans la journée.

Fonctionnement du réfrigérateur

Le réfrigérateur ne fonctionne pas

⚠️ AVERTISSEMENT



Risque de choc électrique

Brancher sur une prise à 3 alvéoles reliée à la terre.

Ne pas enlever la broche de liaison à la terre.

Ne pas utiliser un adaptateur.

Ne pas utiliser un câble de rallonge.

Le non-respect de ces instructions peut causer un décès, un incendie ou un choc électrique.

- **Le cordon d'alimentation électrique est-il débranché?** Brancher sur une prise à 3 alvéoles reliée à la terre.
- **La prise électrique fonctionne-t-elle?** Brancher une lampe pour voir si la prise fonctionne.
- **Un fusible est-il grillé ou un disjoncteur s'est-il ouvert?** Remplacer le fusible ou réarmer le disjoncteur. Si le problème persiste, appeler un électricien.
- **Les commandes sont-elles en marche?** S'assurer que les commandes du réfrigérateur sont en marche. Voir "Utilisation de la (des) commande(s)".

- **S'agit-il d'une nouvelle installation?** Attendre 24 heures après l'installation pour que le réfrigérateur se refroidisse complètement.

REMARQUE : Mettre les boutons de réglage de la température sur la position la plus froide ne refroidira aucun des compartiments plus rapidement.

Le moteur semble trop tourner

Il se peut que votre nouveau réfrigérateur fonctionne plus longtemps que l'ancien grâce à son compresseur à haute efficacité et ses ventilateurs. L'appareil peut fonctionner plus longtemps encore si la température de la pièce est chaude, si une importante quantité de nourriture y est ajoutée, si les portes sont fréquemment ouvertes ou si elles ont été laissées ouvertes.

Le réfrigérateur semble bruyant

Le bruit des réfrigérateurs a été réduit au cours des années. Du fait de cette réduction, il est possible d'entendre des bruits intermittents venant de votre nouveau réfrigérateur qui n'avaient pas été décelés avec votre ancien modèle. Voici une liste des sons normaux accompagnés d'explications.

- **Bourdonnement** - entendu lorsque le robinet d'arrivée d'eau s'ouvre pour remplir la machine à glaçons
- **Pulsation** - les ventilateurs/le compresseur se règlent afin d'optimiser la performance
- **Sifflement/cliquetis** - écoulement de liquide réfrigérant, mouvement des conduites d'eau ou d'objets posés sur le dessus du réfrigérateur
- **Grésillement/gargouillement** - de l'eau tombe sur l'élément de chauffage durant le programme de dégivrage
- **Bruit d'éclatement** - contraction/expansion des parois internes, particulièrement lors du refroidissement initial
- **Bruit d'écoulement d'eau** - peut être entendu lorsque la glace fond lors du programme de dégivrage et que l'eau s'écoule dans le plateau de dégivrage

- **Grincement/craquement** - se produit lorsque la glace est éjectée du moule à glaçons

Les portes ne ferment pas complètement

- **La porte est-elle bloquée en position ouverte?** Déplacer les emballages d'aliments pour libérer la porte.
- **Un compartiment ou une tablette bloquent-ils le passage?** Replacer le compartiment ou la tablette en position correcte.

Les portes sont difficiles à ouvrir

AVERTISSEMENT



Risque d'explosion

Utiliser un produit de nettoyage ininflammable.

Le non-respect de cette instruction peut causer un décès, une explosion ou un incendie.

- **Les joints d'étanchéité sont-ils sales ou collants?** Nettoyer les joints et les surfaces de contact au savon doux et à l'eau tiède. Rincer et sécher avec un linge doux.

Température et humidité

La température est trop élevée

- **S'agit-il d'une nouvelle installation?** Attendre 24 heures après l'installation pour que le réfrigérateur se refroidisse complètement.
- **La/Les porte(s) est/sont-elle(s) fréquemment ouverte(s) ou laissée(s) ouverte(s)?** Ceci permet à l'air chaud de pénétrer dans le réfrigérateur. Minimiser les ouvertures de porte et garder les portes complètement fermées.
- **Une importante quantité d'aliments a-t-elle été ajoutée?** Attendre quelques heures pour que le réfrigérateur revienne à sa température normale.
- **Les commandes sont-elles correctes pour les conditions existantes?** Ajuster les commandes un cran plus froid. Vérifier la température au bout de 24 heures. Voir "Utilisation de la(des) commande(s)".

La température est trop basse dans le réfrigérateur

- **L'évent du réfrigérateur est-il obstrué?** Si l'évent situé dans la partie supérieure gauche du compartiment du réfrigérateur est obstrué par des articles placés directement devant, le réfrigérateur deviendra trop froid. Écarter les articles de l'évent.
- **Le bac d'entreposage est-il bien positionné?** Voir "Machine à glaçons et bac d'entreposage".
- **Les commandes sont-elles correctement réglées pour les conditions environnantes?** Régler les commandes à un réglage plus élevé. Vérifier la température 24 heures plus tard. Voir "Utilisation de la(des) commande(s)".

Il y a une accumulation d'humidité à l'intérieur

REMARQUE : Une certaine accumulation d'humidité est normale.

- **La pièce est-elle humide?** Ceci contribue à l'accumulation de l'humidité.
- **La/Les porte(s) est/sont-elle(s) fréquemment ouverte(s) ou laissée(s) ouverte(s)?** Ceci permet à l'air humide de pénétrer dans le réfrigérateur. Minimiser les ouvertures de porte et garder les portes complètement fermées.

Glaçons et eau

La machine à glaçons ne produit pas ou pas suffisamment de glaçons

- **Le réfrigérateur est-il connecté à l'alimentation en eau et le robinet d'arrêt d'eau est-il ouvert?** Brancher le réfrigérateur à l'alimentation en eau et ouvrir le robinet d'arrêt d'eau complètement.
- **La canalisation de la source d'eau du domicile comporte-t-elle une déformation?** Une déformation dans la canalisation peut réduire l'écoulement d'eau. Redresser la canalisation d'eau.
- **La machine à glaçons est-elle allumée?** S'assurer que la machine à glaçons est en marche. Voir "Machine à glaçons et bac d'entreposage de glaçons".
- **S'agit-il d'une nouvelle installation?** Attendre 24 heures après l'installation pour le commencement de la production de glaçons. Attendre 72 heures pour la production complète de glaçons.
- **La porte du réfrigérateur est-elle bien fermée?** Bien fermer la porte. Si elle ne ferme pas complètement, voir "Les portes ne ferment pas complètement".
- **Une grande quantité de glaçons vient-elle d'être enlevée?** Attendre 24 heures pour que la machine à glaçons produise plus de glaçons.
- **Un glaçon est-il coincé dans le bras éjecteur?** Enlever le glaçon du bras éjecteur avec un ustensile en plastique.
- **Un filtre à eau est-il installé sur le réfrigérateur?** Enlever le filtre et faire fonctionner la machine à glaçons. Si le volume de glace augmente, le filtre est probablement obstrué ou mal installé. Remplacer le filtre ou le réinstaller correctement.
- **Un système de filtration de l'eau à osmose inverse est-il connecté à votre canalisation d'eau froide?** Ceci peut diminuer la pression de l'eau. Voir "Spécifications de l'alimentation en eau".

Les glaçons sont creux ou petits

REMARQUE : Cela indique une faible pression de l'eau.

- **Le robinet d'arrêt d'eau n'est pas complètement ouvert?** Ouvrir le robinet d'arrêt d'eau complètement.
- **La canalisation de la source d'eau du domicile comporte-t-elle une déformation?** Une déformation dans la canalisation peut réduire l'écoulement d'eau. Redresser la canalisation d'eau.
- **Un filtre à eau est-il installé sur le réfrigérateur?** Enlever le filtre et faire fonctionner la machine à glaçons. Si la qualité des glaçons augmente, le filtre est probablement obstrué ou mal installé. Remplacer le filtre ou le réinstaller correctement.

- **Un système de filtration de l'eau à osmose inverse est-il connecté à votre canalisation d'eau froide?** Ceci peut diminuer la pression de l'eau. Voir "Spécifications de l'alimentation en eau".
- **Reste-t-il des questions concernant la pression de l'eau?** Appeler un plombier agréé et qualifié.

Goût, odeur ou couleur grise des glaçons

- **Les raccords de plomberie sont-ils neufs?** Des raccords de plomberie neufs peuvent causer une décoloration ou un mauvais goût des glaçons.
- **Les glaçons ont-ils été gardés trop longtemps?** Jeter les glaçons. Laver le compartiment à glaçons. Attendre 24 heures pour la fabrication de nouveaux glaçons.
- **Y a-t-il un transfert d'odeurs de nourriture?** Utiliser des emballages étanches à l'air et à l'humidité pour conserver les aliments.
- **L'eau contient-elle des minéraux (tels que le soufre)?** L'installation d'un filtre peut être requise afin d'enlever les minéraux.
- **Un filtre à eau est-il installé sur le réfrigérateur?** Une décoloration grise ou foncée de la glace indique que le système de filtration de l'eau a besoin d'un rinçage additionnel. Rincer le système de filtration d'eau avant d'utiliser un nouveau filtre. Remplacer le filtre à eau à la date indiquée. Voir "Système de filtration de l'eau".

Le distributeur d'eau et de glaçons ne fonctionne pas correctement

- **Le réfrigérateur est-il connecté à l'alimentation en eau et le robinet d'arrêt d'eau est-il ouvert?** Brancher le réfrigérateur à l'alimentation en eau et ouvrir le robinet d'arrêt d'eau complètement.
- **La canalisation de la source d'eau du domicile comporte-t-elle une déformation?** Redresser la canalisation d'eau.
- **S'agit-il d'une nouvelle installation?** Rincer et remplir le système de distribution d'eau. Voir "Distributeur d'eau et de glaçons".
- **La pression de l'eau est-elle d'au moins 35 lb/po² (241 kPa)?** La pression de l'eau du domicile détermine l'écoulement d'eau du distributeur. Voir "Spécifications de l'alimentation en eau".
- **Un filtre à eau est-il installé sur le réfrigérateur?** Enlever le filtre et faire fonctionner le distributeur. Si l'écoulement d'eau augmente, le filtre est probablement obstrué ou mal installé. Remplacer le filtre ou le réinstaller correctement.
- **La caractéristique de remplissage mesuré du distributeur d'eau ne distribue-t-elle pas une quantité précise d'eau?** Calibrer le distributeur d'eau. Voir "Distributeurs d'eau et de glaçons".

- **La porte du réfrigérateur est-elle bien fermée?** Bien fermer la porte. Si elle ne ferme pas complètement, voir "Les portes ne ferment pas complètement".
- **Les portes ont-elles été récemment enlevées?** S'assurer que l'assemblage câble/tuyau du distributeur d'eau a été correctement reconnecté au sommet de la porte du réfrigérateur. Voir "Portes et tiroir du réfrigérateur".
- **Un système de filtration de l'eau à osmose inverse est-il connecté à votre canalisation d'eau froide?** Ceci peut diminuer la pression de l'eau. Voir "Spécifications de l'alimentation en eau".

L'eau coule du système de distribution

REMARQUE : Il est normal de constater une ou deux gouttes d'eau après la distribution d'eau.

- **Le verre n'a pas été maintenu sous le distributeur assez longtemps?** Maintenir le verre sous le distributeur 2 à 3 secondes après avoir relâché le levier du distributeur.
- **S'agit-il d'une nouvelle installation?** Rincer le système de distribution d'eau. Voir "Distributeurs d'eau et de glaçons".
- **Le filtre à eau a-t-il été récemment changé?** Rincer le système de distribution d'eau. Voir "Distributeurs d'eau et de glaçons".

L'eau du distributeur est tiède

REMARQUE : L'eau du distributeur est seulement réfrigérée à 50°F (10°C).

- **S'agit-il d'une nouvelle installation?** Attendre 24 heures après l'installation pour que l'alimentation d'eau refroidisse complètement.
- **Une grande quantité d'eau a-t-elle récemment été distribuée?** Attendre 24 heures pour que l'alimentation d'eau refroidisse complètement.
- **N'a-t-on pas récemment distribué de l'eau?** Le premier verre d'eau peut ne pas être froid. Jeter le premier verre d'eau.
- **Le réfrigérateur est-il branché à l'arrivée d'eau froide?** S'assurer que le réfrigérateur est branché à l'arrivée d'eau froide. Voir "Spécifications de l'alimentation en eau".

FEUILLE DE DONNÉES SUR LA PERFORMANCE

Système de filtration d'eau Modèle UKF8001AXX-200/UKF8001 Capacité 200 gallons (757 litres)



Système testé et certifié par NSF International selon la norme NSF/ANSI 42, 53, 401 et CSA B483.1 pour la réduction des contaminants spécifiés sur la fiche technique de rendement.

Ce système a été testé selon les normes NSF/ANSI 42, 53, 401 et CSA B483.1 pour la réduction des substances énumérées ci-dessous. La concentration des substances énumérées contenues dans l'eau entrant dans le système a été réduite à une valeur inférieure ou égale à la limite admissible pour l'eau en sortant, comme mentionné par les normes NSF/ANSI 42, 53, 401 et CSA B483.1.

Réduction concentration - Effets esthétiques	Concentration dans l'eau à traiter	Maximum permissible de concentration dans l'eau	Réduction du pourcentage moyen
Chlore goût/odeur	2,0 mg/L ± 10 %	réduction de 50 %	97,6 %
Particules (classe I*)	Au moins 10 000 particules/mL	réduction de 85 %	98,8 %
Réduction des contaminants	Concentration dans l'eau à traiter	Maximum permissible de concentration dans l'eau	Réduction du pourcentage moyen
Plomb*** : à pH 6,5 / à pH 8,5	0,150 mg/L ± 10 %	0,010 mg/L	99,3 % / 99,3 %
Mercure : à pH 6,5 / à pH 8,5	0,006 mg/L ± 10 %	0,002 mg/L	95,1 % / 95,0 %
Amiante	10 ⁷ à 10 ⁸ fibres/L ^{††}	>99 %	>99 %
Kystes†	50 000/L min.	>99,95 %	99,99 %
Turbidité	11 NTU ± 10 %	0,5 NTU	98,1 %
Atrazine	0,009 mg/L ± 10 %	0,003 mg/L	94,4 %
Benzène	0,015 mg/L ± 10 %	0,005 mg/L	96,6 %
Carbofurane	0,080 mg/L ± 10 %	0,040 mg/L	86,8 %
Lindane	0,002 mg/L ± 10 %	0,0002 mg/L	98,8 %
p-dichlorobenzène	0,225 mg/L ± 10 %	0,075 mg/L	99,7 %
Tétrachloroéthylène	0,015 mg/L ± 10 %	0,005 mg/L	96,0 %
Toxaphène	0,015 mg/L ± 10 %	0,003 mg/L	93,8 %
Aténolol	200 ± 20 %	30 ng/L	>95,9 %
Endrin	0,006 mg/L ± 10 %	0,002 mg/L	96,7 %
Éthylbenzène	2,1 mg/L ± 10 %	0,7 mg/L	99,9 %
O-dichlorobenzène	1,8 mg/L ± 10 %	0,6 mg/L	99,9 %
2,4 - D	0,210 mg/L ± 10 %	0,07 mg/L	97 %
Carbamazépine	1400 ± 20 %	200 ng/L	>98,6 %
DEET	1400 ± 20 %	200 ng/L	>98,5 %
Linuron	140 ± 20 %	20 ng/L	>96,8 %
Méprobamate	400 ± 20 %	60 ng/L	94,6 %
Métolachor	1400 ± 20 %	200 ng/L	98,3 %
Triméthoprim	140 ± 20 %	20 ng/L	>96,4 %
Bisphénol A	2000 ± 20 %	300 ng/L	99,4 %
Estrone	140 ± 20 %	20 ng/L	>96,7 %
Nonylphénol	1400 ± 20 %	200 ng/L	>98,9 %
Ibuprofène	400 ± 20 %	60 ng/L	92,9 %
Naproxen	140 ± 20 %	20 ng/L	>96,3 %
Phénytoïne	200 ± 20 %	30 ng/L	>94,8 %

Paramètres de test : pH = 7,5 ± 0,5 à moins d'indication contraire. Débit = 0,78 gpm (2,95 Lpm). Pression = 60 lb/po² (413,7 kPa).

Temp. = 68 °F à 71,6 °F (20 °C à 22 °C). Capacité de service nominale = 200 gallons (757 litres).

Les composés certifiés en vertu de la norme NSF 401 sont considérés comme appartenant à la catégorie des « composés émergents/contaminants secondaires ».

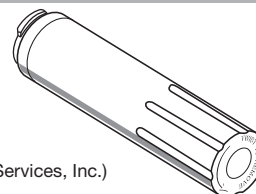
Les « composés émergents/contaminants secondaires » sont des composés qui ont été détectés à de faibles concentrations dans des sources d'approvisionnement en eau potable; même s'ils n'apparaissent qu'à de faibles concentrations.

Ces composés peuvent influencer la perception et le niveau d'acceptation de la qualité de l'eau potable par le public.

- Il est important que les critères de fonctionnement, d'entretien et de remplacement du filtre soient respectés pour que le produit donne le rendement annoncé. Des dommages matériels peuvent subvenir si toutes les instructions ne sont pas respectées.
- La cartouche jetable doit être changée au moins tous les 6 mois.
- Utiliser le filtre de rechange UKF8001, référence EDR4RXD1/EDR4RXD1B. Prix suggéré au détail en 2015 de 49,99 \$US/49,95 \$CAN. Les prix sont sujets à modification sans préavis.
- Le système de contrôle du filtre mesure la quantité d'eau qui passe par le filtre et vous alerte lorsqu'il faut remplacer le filtre. Consulter les sections « Utilisation des commandes » ou « Système de filtration d'eau » (dans les instructions d'utilisation ou le Guide d'utilisation) pour savoir comment vérifier l'état du filtre à eau.
- Après avoir remplacé le filtre à eau, purger le système d'eau. Voir « Distributeur d'eau et de glaçons » ou « Distributeur d'eau » dans les instructions d'utilisation ou le guide d'utilisation.
- Ces contaminants ne sont pas nécessairement présents dans votre approvisionnement d'eau. Même si le test a été effectué dans des conditions de laboratoires standard, le rendement réel peut varier.
- Le produit doit être utilisé pour l'eau froide seulement.
- Le circuit d'eau doit être installé conformément aux lois et règlements locaux et à ceux de l'État concerné.
- Ne pas utiliser ce produit pour filtrer une eau microbiologiquement polluée ou de qualité inconnue en l'absence d'un dispositif de désinfection adéquat en amont ou en aval du système. Les systèmes certifiés pour la réduction des kystes peuvent être utilisés pour une eau désinfectée susceptible de contenir des kystes filtrables. Étab. EPA n° 10350-MN-005.
- Consulter la section « Garantie » (dans les instructions d'utilisation ou le guide d'utilisation) pour la garantie limitée, le nom et le numéro de téléphone du fabricant.

Directives d'application / Paramètres d'approvisionnement en eau

Alimentation en eau	Eau de ville ou collectivité
Pression de l'eau	35 - 120 lb/po ² (241 - 827 kPa)
Température de l'eau	33° - 100 °F (1° - 38 °C)
Débit de service	0,78 gpm (2,95 L/min) à 60 lb/po ²



*Classe I – taille des particules : >0,5 à <1 µm

***Conforme aux exigences de réduction du plomb de la norme NSF/ANSI Standard 53 (testé par Pace Analytical Services, Inc.)

†Sur la base de la filtration de kystes de *Cryptosporidium parvum*

††Fibres de longueur supérieure à 10 µm

GARANTIE LIMITÉE DES GROS APPAREILS MÉNAGERS WHIRLPOOL®

ATTACHEZ ICI VOTRE REÇU DE VENTE. UNE PREUVE D'ACHAT EST OBLIGATOIRE POUR OBTENIR L'APPLICATION DE LA GARANTIE.

Lorsque vous appelez le centre d'eXpérience de la clientèle, veuillez garder à disposition les renseignements suivants :

- Nom, adresse et numéro de téléphone
- Numéros de modèle et de série
- Une description claire et détaillée du problème rencontré
- Une preuve d'achat incluant le nom et l'adresse du marchand ou du détaillant

SI VOUS AVEZ BESOIN DE SERVICE :

1. Avant de nous contacter pour obtenir un dépannage, veuillez déterminer si des réparations sont nécessaires pour votre produit. Certains problèmes peuvent être résolus sans intervention de dépannage. Prenez quelques minutes pour parcourir la section Dépannage ou Résolution de problèmes du guide d'utilisation et d'entretien, scannez le code QR ci-contre avec votre téléphone intelligent pour accéder à des ressources supplémentaires, ou rendez-vous sur le site <http://www.whirlpool.ca>.
2. Tout service sous garantie doit être effectué exclusivement par nos fournisseurs de dépannage autorisés. Whirlpool. Aux É.-U. et au Canada, dirigez toutes vos demandes de service sous garantie au

Centre d'eXpérience de la clientèle Whirlpool

Aux É.-U., composer le 1-800-253-1301. Au Canada, composer le 1-800-807-6777.

Si vous résidez à l'extérieur du Canada et des 50 États des États-Unis, contactez votre marchand Whirlpool autorisé pour déterminer si une autre garantie s'applique.



<http://www.whirlpool.ca>

GARANTIE LIMITÉE DE UN AN

CE QUI EST COUVERT

Pendant un an à compter de la date d'achat, lorsque ce gros appareil ménager est installé, utilisé et entretenu conformément aux instructions jointes à ou fournies avec le produit, Whirlpool Corporation ou Whirlpool Canada, LP (ci-après désignées "Whirlpool") décidera à sa seule discrétion de remplacer le produit ou de couvrir le coût des pièces spécifiées par l'usine et de la main-d'œuvre nécessaires pour corriger les vices de matériaux ou de fabrication qui existaient déjà lorsque ce gros appareil ménager a été acheté. S'il est remplacé, l'appareil sera couvert pour la période restant à courir de la garantie limitée d'un an du produit d'origine.

LE SEUL ET EXCLUSIF RECOURS DU CLIENT DANS LE CADRE DE LA PRÉSENTE GARANTIE LIMITÉE CONSISTE EN LA RÉPARATION PRÉVUE PAR LA PRÉSENTE. Le service doit être fourni par une compagnie de service désignée par Whirlpool. Cette garantie limitée est valide uniquement aux États-Unis ou au Canada et s'applique exclusivement lorsque le gros appareil ménager est utilisé dans le pays où il a été acheté. La présente garantie limitée est valable à compter de la date d'achat initial par le consommateur. Une preuve de la date d'achat initial est exigée pour obtenir un dépannage dans le cadre de la présente garantie limitée.

CE QUI N'EST PAS COUVERT

1. Usage commercial, non résidentiel ou par plusieurs familles, ou non-respect des instructions de l'utilisateur, de l'opérateur ou des instructions d'installation.
2. Visite d'instruction à domicile pour montrer à l'utilisateur comment utiliser l'appareil.
3. Visites de service pour rectifier une installation ou un entretien fautifs du produit, une installation non conforme aux codes d'électricité ou de plomberie, ou la rectification de l'installation électrique ou de la plomberie du domicile (ex : câblage électrique, fusibles ou tuyaux d'arrivée d'eau du domicile).
4. Pièces consommables (ex : ampoules, batteries, filtres à air ou à eau, solutions de conservation, etc.).
5. Défauts ou dommage résultant de l'utilisation de pièces ou accessoires Whirlpool non authentiques.
6. Conversion de votre produit du gaz naturel ou du gaz de pétrole liquéfié.
7. Dommages causés par : accident, mésusage, abus, incendie, inondations, catastrophe naturelle ou l'utilisation de produits non approuvés par Whirlpool.
8. Réparations aux pièces ou systèmes dans le but de rectifier un dommage ou des défauts résultant d'une réparation, altération ou modification non autorisée faite à l'appareil.
9. Défauts d'apparence, notamment les éraflures, traces de choc, fissures ou tout autre dommage subi par le fini de l'appareil ménager, à moins que ces dommages ne résultent de vices de matériaux ou de fabrication et ne soient signalés à Whirlpool dans les 30 jours suivant la date d'achat.
10. Décoloration, rouille ou oxydation des surfaces résultant d'environnements caustiques ou corrosifs incluant des concentrations élevées de sel, un haut degré d'humidité ou une exposition à des produits chimiques (exemples non exhaustifs).
11. Perte d'aliments ou de médicaments due à la défaillance du produit.
12. Enlèvement ou livraison. Ce produit est conçu pour être réparé à l'intérieur du domicile.
13. Frais de déplacement et de transport pour le dépannage/la réparation dans une région éloignée où une compagnie de service Whirlpool autorisée n'est pas disponible.
14. Retrait ou réinstallation d'appareils inaccessibles ou de dispositifs préinstallés (ex : garnitures, panneaux décoratifs, plancher, meubles, îlots de cuisine, plans de travail, panneaux de gypse, etc.) qui entravent le dépannage, le retrait ou le remplacement du produit.
15. Service et pièces pour des appareils dont les numéros de série et de modèle originaux ont été enlevés, modifiés ou ne peuvent pas être facilement identifiés.

Le coût d'une réparation ou d'un remplacement dans le cadre de ces circonstances exclues est à la charge du client.

CLAUSE D'EXONÉRATION DE RESPONSABILITÉ AU TITRE DES GARANTIES IMPLICITES

LES GARANTIES IMPLICITES, Y COMPRIS LES GARANTIES APPLICABLES DE QUALITÉ MARCHANDE OU D'APTITUDE À UN USAGE PARTICULIER, SONT LIMITÉES À UN AN OU À LA PLUS COURTE PÉRIODE AUTORISÉE PAR LA LOI. Certains États et provinces ne permettent pas de limitation sur la durée des garanties implicites de qualité marchande ou d'aptitude à un usage particulier, de sorte que la limitation ci-dessus peut ne pas être applicable dans votre cas. Cette garantie vous confère des droits juridiques spécifiques et vous pouvez également jouir d'autres droits qui peuvent varier d'une juridiction à l'autre.

EXONÉRATION DE RESPONSABILITÉ DANS LES DOMAINES NON COUVERTS PAR LA GARANTIE

Whirlpool décline toute responsabilité au titre de la qualité, de la durabilité ou en cas de dépannage ou de réparation nécessaire sur ce gros appareil ménager autre que les responsabilités énoncées dans la présente garantie. Si vous souhaitez une garantie plus étendue ou plus complète que la garantie limitée fournie avec ce gros appareil ménager, adressez-vous à Whirlpool ou à votre détaillant pour obtenir les modalités d'achat d'une garantie étendue.

LIMITATION DES RECOURS; EXCLUSION DES DOMMAGES FORTUITS OU INDIRECTS

LE SEUL ET EXCLUSIF RECOURS DU CLIENT DANS LE CADRE DE LA PRÉSENTE GARANTIE LIMITÉE CONSISTE EN LA RÉPARATION PRÉVUE PAR LA PRÉSENTE. WHIRLPOOL N'ASSUME AUCUNE RESPONSABILITÉ POUR LES DOMMAGES FORTUITS OU INDIRECTS. Certains États et certaines provinces ne permettent pas l'exclusion ou la limitation des dommages fortuits ou indirects de sorte que ces limitations et exclusions peuvent ne pas être applicables dans votre cas. Cette garantie vous confère des droits juridiques spécifiques et vous pouvez également jouir d'autres droits qui peuvent varier d'une juridiction à l'autre.

NOTES

NOTES

