



Duet Electronic Electric Dryer

PRODUCT MODEL NUMBERS

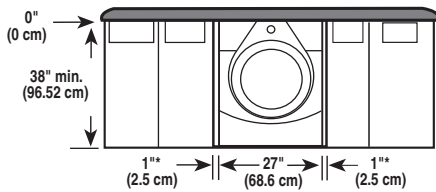
WED9200S WED9300V
WED9400S WED9400V

Electrical: This dryer requires a 3 or 4 wire, single phase, 120/240 volt, 60 Hz., AC only electrical supply (or 3 or 4 wire, 120/208 volt electrical supply, if specified on the serial/rating plate) on a separate 30-amp circuit, fused on both sides of the line. A time-delay fuse or circuit breaker is recommended. Connect to an individual branch circuit. Do not have a fuse in the neutral or grounding circuit.

Exhaust venting: Exhaust your dryer to the outside. Four inch diameter vent is required. Rigid or flexible metal exhaust vent must be used. Do not use plastic or metal foil vent. Exhaust outlet hood must be at least 12 inches from the ground or any object that may be in the path of the exhaust.

UNDERCOUNTER INSTALLATION

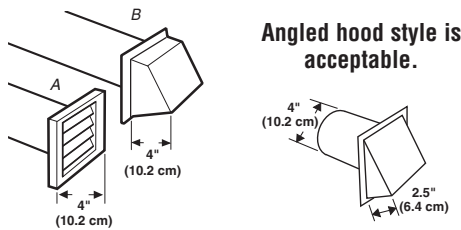
Dimensions shown are for minimum spacing.



*Required spacing

EXHAUST VENTING

Recommended hood styles

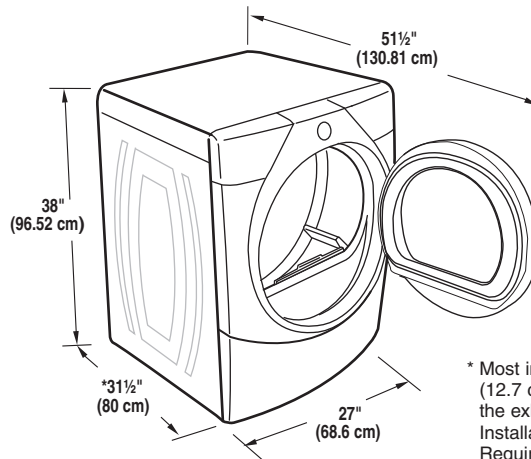


A. Louvered hood style
B. Box hood style

Number of 90° turns or elbows	Type of vent	Box or Louvered hoods	Angled hoods
0	Rigid metal	64 ft (20 m)	58 ft (17.7 m)
	Flexible metal	36 ft (11 m)	28 ft (8.5 m)
1	Rigid metal	54 ft (16.5 m)	48 ft (14.6 m)
	Flexible metal	31 ft (9.4 m)	23 ft (7 m)
2	Rigid metal	44 ft (13.4 m)	38 ft (11.6 m)
	Flexible metal	27 ft (8.2 m)	19 ft (5.8 m)
3	Rigid metal	35 ft (10.7 m)	29 ft (8.8 m)
	Flexible metal	25 ft (7.6 m)	17 ft (5.2 m)
4	Rigid metal	27 ft (8.2 m)	21 ft (6.4 m)
	Flexible metal	23 ft (7 m)	15 ft (4.6 m)

NOTE: Side and bottom exhaust installations have a 90° turn inside the dryer. To determine maximum exhaust length, add one 90° turn to the chart.

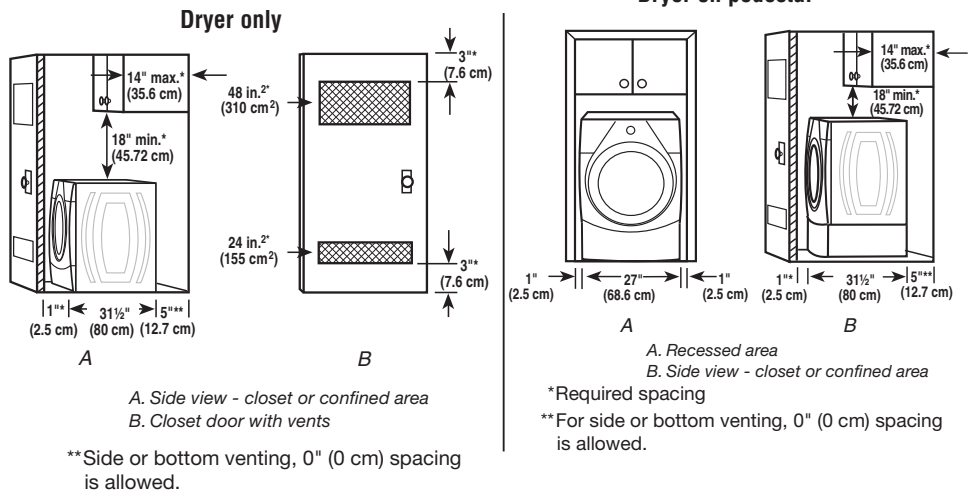
OVERALL DIMENSIONS



* Most installations require a minimum 5" (12.7 cm) clearance behind the dryer for the exhaust vent with elbow. See Installations Instructions, "Venting Requirements."

RECESSED AREA AND CLOSET INSTALLATION

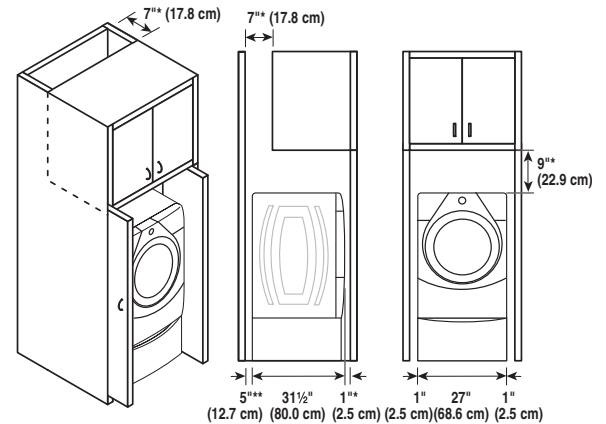
For closet installation, with a door, the minimum ventilation openings in the top and bottom of the door are required. Louvered doors with equivalent air ventilation openings in the top and bottom are acceptable.



**Side or bottom venting, 0" (0 cm) spacing is allowed.

Recommended installation spacing for cabinet installation

For cabinet installation, with a door, the minimum ventilation openings in the top are required.



*Required spacing
**For side or bottom venting, 0" (0 cm) spacing is allowed.

Select the route that will provide the straightest and most direct path outdoors. Plan the installation to use the fewest number of elbows and turns. Use the fewest 90° turns possible.

Do not use vent runs longer than specified in vent length chart.

Determine the number of elbows you will need.