

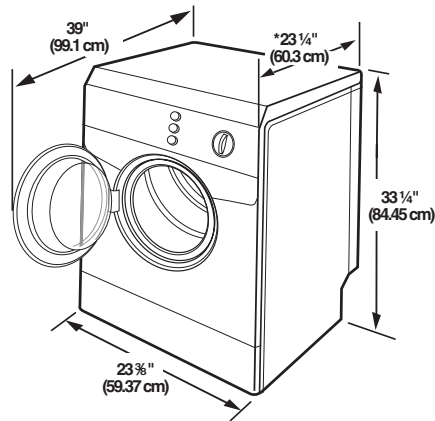
## PRODUCT MODEL NUMBERS

WED7500V

**Electrical:** A four-wire or three-wire, single phase, 120/240-volt, 60 Hz, AC-only, electrical supply (or 120/208-volt electrical supply, if specified on the serial/rating plate) is required on a separate 30 amp circuit, fused on both sides of the line. A time-delay fuse or circuit breaker is recommended.

**Exhaust venting:** Exhaust your dryer to the outside. 4" (10.2 cm) diameter vent is required. Heavy metal exhaust vent must be used. Do not use plastic or metal foil vent. Exhaust outlet hood must be at least 12" (30.5 cm) from the ground or any object that may be in the path of the exhaust.

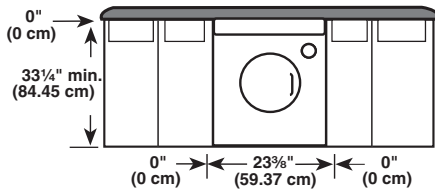
## OVERALL DIMENSIONS



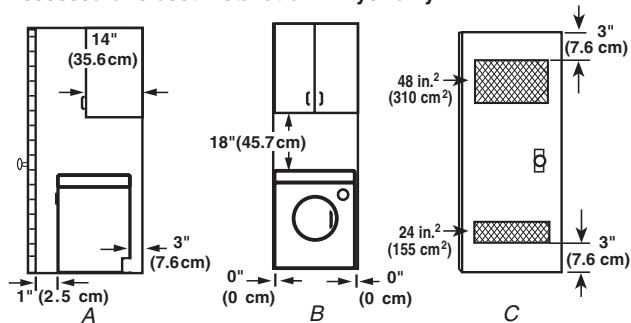
\* Most installations require a minimum 5-1/2" (14.0 cm) clearance behind the dryer for the exhaust vent with elbows.

## CUSTOM UNDERCOUNTER, RECESSED AREA AND CLOSET INSTALLATION

### Custom undercounter installation - Dryer only

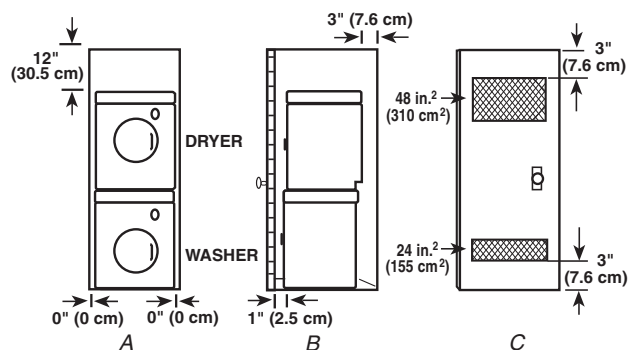


### Recessed or closet installation - Dryer only



A. Side view - closet or confined area  
B. Recessed area  
C. Closet door with vents

### Recessed or closet installation - Stacked with stack kit (Accessory)



A. Recessed area  
B. Side view - closet or confined area  
C. Closet door with vents

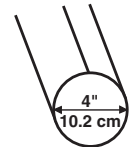
## EXHAUST VENTING

### Vent material

- Use a heavy metal vent. Do not use plastic or metal foil vent.
- 4" (10.2 cm) heavy metal exhaust vent and clamps must be used.

### Rigid metal vent

- For best drying performance, rigid metal vents are recommended.
- Rigid metal vent is recommended to avoid crushing and kinking.



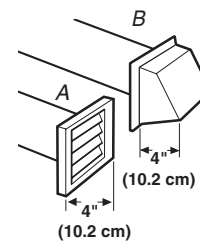
4" (10.2 cm) heavy metal exhaust vent

### Flexible metal vent

- Flexible metal vents are acceptable only if accessible for cleaning.
- Flexible metal vent must be fully extended and supported when the dryer is in its final location.
- Remove excess flexible metal vent to avoid sagging and kinking that may result in reduced airflow and poor performance.

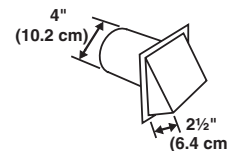
### Exhaust

Recommended hood styles are shown here.



A. Louvered hood style  
B. Box hood style

The angled hood style (shown here) is acceptable.



- An exhaust hood should cap the vent to keep rodents and insects from entering the home.
- Exhaust hood must be at least 12" (30.5 cm) from the ground or any object that may be in the path of the exhaust (such as flowers, rocks or bushes, snow line, etc.).
- Do not use an exhaust hood with a magnetic latch.