

# DRYER INSTALLATION INSTRUCTIONS

## Table of Contents

DRYER SAFETY .....	1
INSTALLATION REQUIREMENTS.....	2
Tools and Parts.....	2
Location Requirements .....	3
Electrical Requirements .....	5
INSTALLATION INSTRUCTIONS.....	6
Install Strain Relief .....	6
Electrical Connection Options .....	7
Install Vent System.....	13
Level Dryer .....	14
Complete Installation Checklist.....	15
DOOR REVERSAL.....	15
TROUBLESHOOTING .....	15

---

Para una version de estas instrucciones en español, visite [www.Whirlpool.com](http://www.Whirlpool.com)

---

## INSTALLATION NOTES

Date of purchase: \_\_\_\_\_  
Date of installation: \_\_\_\_\_  
Installer: \_\_\_\_\_  
Model number: \_\_\_\_\_  
Serial number: \_\_\_\_\_

## DRYER SAFETY

### Your safety and the safety of others are very important.

We have provided many important safety messages in this manual and on your appliance. Always read and obey all safety messages.



This is the safety alert symbol.

This symbol alerts you to potential hazards that can kill or hurt you and others.

All safety messages will follow the safety alert symbol and either the word "DANGER" or "WARNING."

These words mean:

 **DANGER**

You can be killed or seriously injured if you don't immediately follow instructions.

 **WARNING**

You can be killed or seriously injured if you don't follow instructions.

All safety messages will tell you what the potential hazard is, tell you how to reduce the chance of injury, and tell you what can happen if the instructions are not followed.



## WARNING - "Risk of Fire"

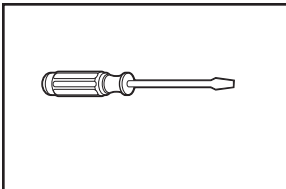
- Clothes dryer installation must be performed by a qualified installer.
- Install the clothes dryer according to the manufacturer's instructions and local codes.
- Do not install a clothes dryer with flexible plastic venting materials. If flexible metal (foil type) duct is installed, it must be of a specific type identified by the appliance manufacturer as suitable for use with clothes dryers. Flexible venting materials are known to collapse, be easily crushed, and trap lint. These conditions will obstruct clothes dryer airflow and increase the risk of fire.
- To reduce the risk of severe injury or death, follow all installation instructions.
- Save these instructions.

## INSTALLATION REQUIREMENTS

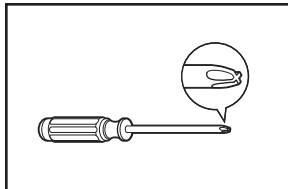
### TOOLS AND PARTS

Gather the required tools and parts before starting installation.

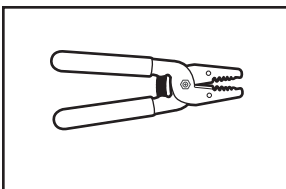
#### Tools needed:



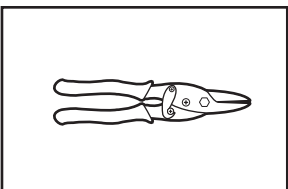
Flat-blade screwdriver



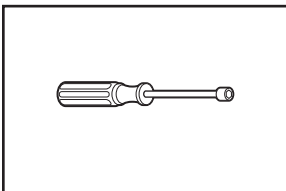
#2 Phillips screwdriver



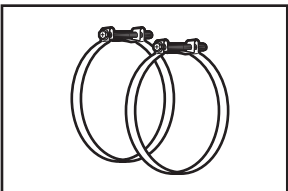
Wire stripper (direct wire installations)



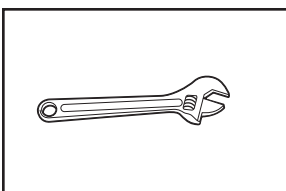
Tin snips (new vent installations)



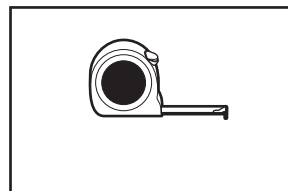
1/4" nut driver (recommended)



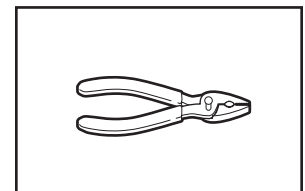
Vent clamps



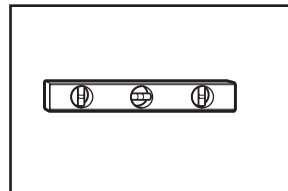
Adjustable wrench that opens to 1" (25mm) or hex-head socket wrench



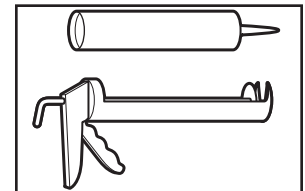
Tape measure



Pliers

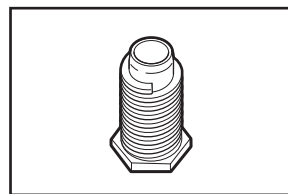


Level



Caulking gun and compound (for installing new exhaust vent)

#### Parts supplied:



Leveling legs (4)

Parts package is located in dryer drum. Check that all parts are included.

**NOTE:** Do not use if installing dryer on pedestal.

**Optional Equipment:** (Not supplied with dryer)

Refer to your Use and Care Guide for information about accessories available for your dryer.

**Parts needed:** (Not supplied with washer)

Check local codes. Check existing electrical supply and venting. See "Electrical Requirements" and "Venting Requirements" before purchasing parts.

Check code requirements. Some codes limit, or do not permit, installing dryer in garages, closets, mobile homes, or sleeping quarters. Contact your local building inspector.

**Mobile home - Additional installation requirements:**

This dryer is suitable for mobile home installations. The installation must conform to the Manufactured Home Construction and Safety Standard, Title 24 CFR, Part 3280 (formerly the Federal Standard for Mobile home construction and Safety, Title 24, HUD Part 280) or Standard CAN/CSA-Z240 MH.

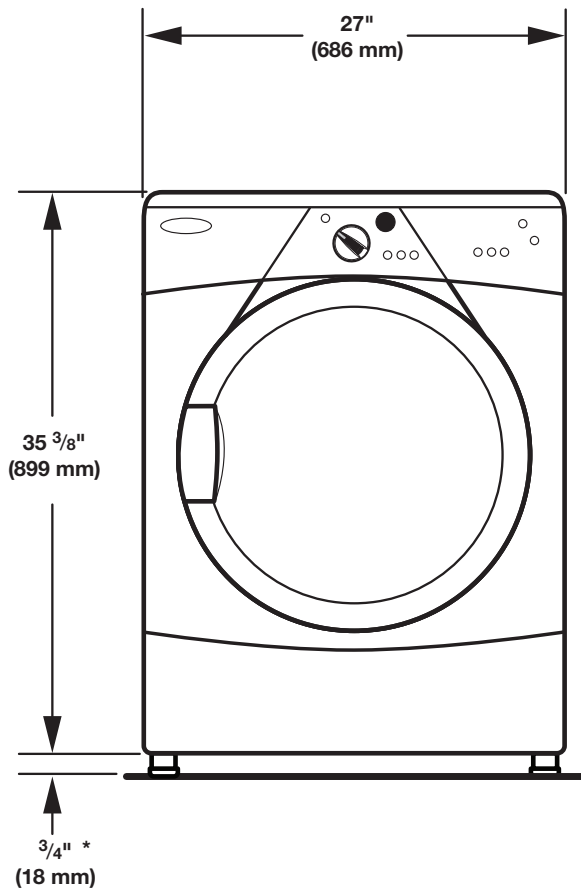
**Mobile home installations require:**

- Metal exhaust system hardware, available for purchase from your dealer. For further information, see "Assistance or Service" section in your Use and Care Guide.
- Special provisions must be made in mobile homes to introduce outside air into dryer. Openings (such as a nearby window) should be at least twice as large as dryer exhaust opening.

## LOCATION REQUIREMENTS

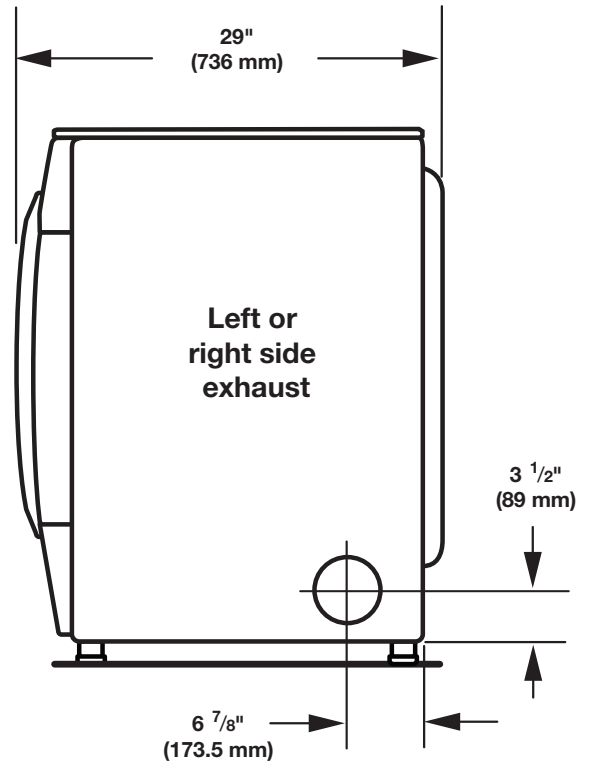
### DRYER DIMENSIONS

**Front view:**

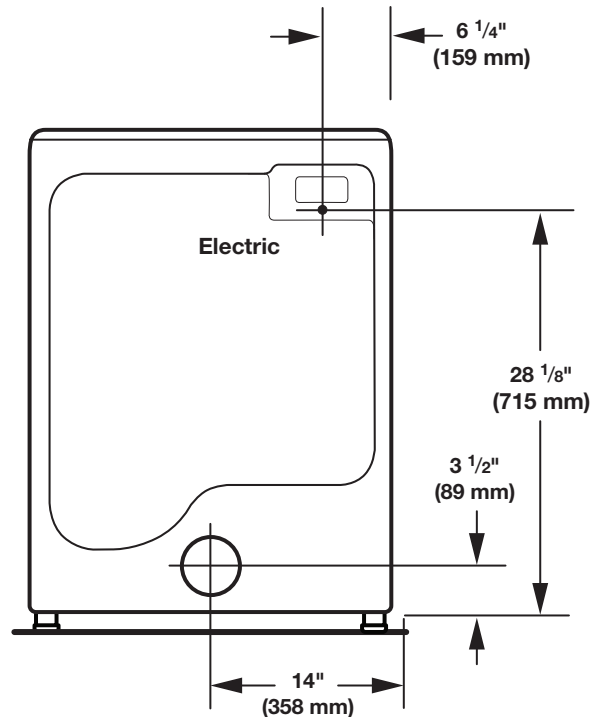


\* Approx. measurement

**Side view:**



**Back view:**



**NOTE:** Most installations require a minimum of 5" (127 mm) clearance behind dryer for exhaust vent with elbow. See "Venting Requirements."

**IMPORTANT:** Do not operate, install or store dryer where it will be exposed to water, weather, or at temperatures below 45° F (7° C). Lower temperatures may cause dryer not to shut off at end of automatic sensor cycles, resulting in longer drying times.

# ⚠ WARNING



## Explosion Hazard

Keep flammable materials and vapors, such as gasoline, away from dryer.

Place dryer at least 18 inches (460 mm) above the floor for a garage installation.

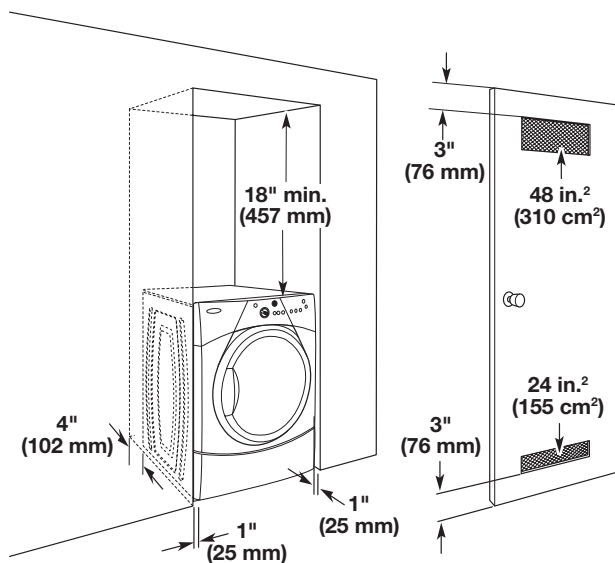
Failure to do so can result in death, explosion, or fire.

### You will need:

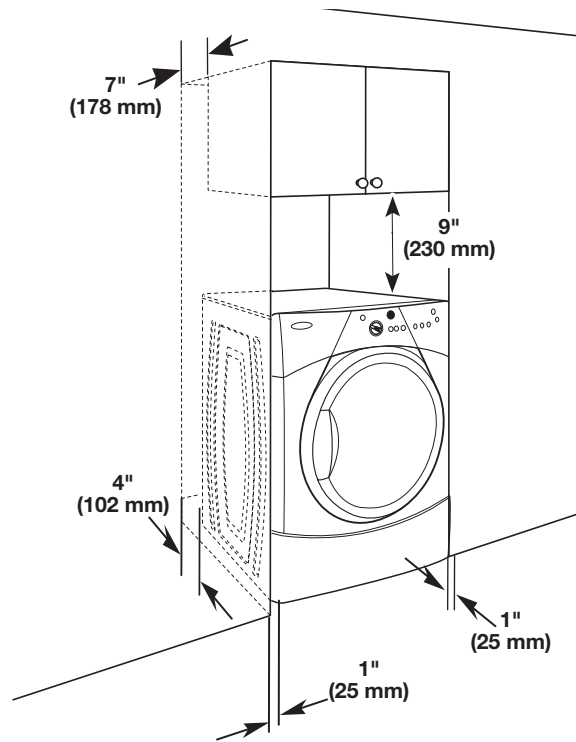
- A location allowing for proper exhaust installation. See "Venting Requirements."
- A separate 30 amp circuit.
- If using power supply cord, a grounded electrical outlet located within 2 ft. (610 mm) of either side of dryer. See "Electrical Requirements."
- Floor must support dryer weight of 200 lbs. (90.7 kg). Also consider weight of companion appliance.
- Level floor with maximum slope of 1" (25 mm) under entire dryer. If slope is greater than 1" (25 mm), install Extended Dryer Feet Kit, Part Number 279810. If not level, clothes may not tumble properly and automatic sensor cycles may not operate correctly.

For each arrangement, consider allowing more space for ease of installation and servicing; spacing for companion appliances and clearances for walls, doors, and floor moldings. Space must be large enough to allow door to fully open. Add spacing on all sides of dryer to reduce noise transfer. If a closet door or louvered door is installed, top and bottom air openings in door are required.

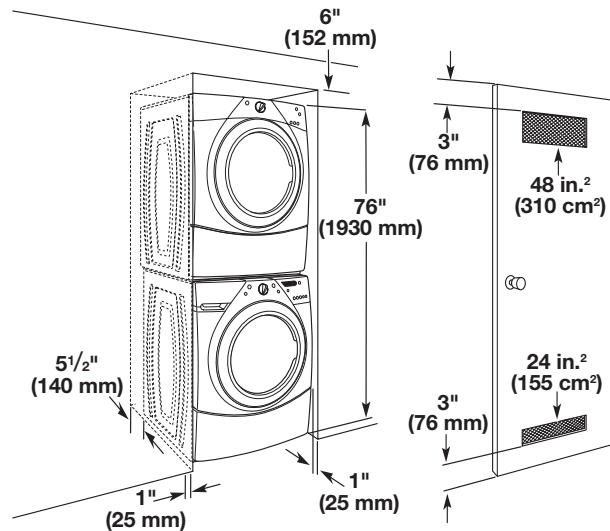
### Closet installation (dryer only):



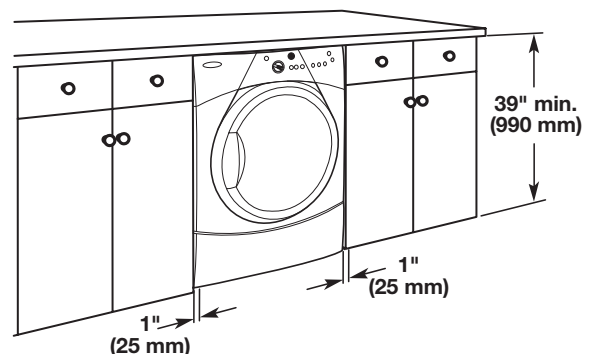
### Cabinet installation (dryer only):



### Closet Installation (stacked washer and dryer):



### Custom under counter installation (dryer only):



All dimensions show recommended spacing allowed, with tested spacing of 0" (0 mm) clearance on sides and rear. Closet door ventilation openings show minimum spacing required.

# ELECTRICAL REQUIREMENTS

## It is your responsibility:

- To contact a qualified electrical installer.
- To be sure that the electrical connection is adequate and in conformance with the National Electrical Code, ANSI/NFPA 70 - latest edition and all local codes and ordinances.

The National Electrical Code requires a 4-wire power supply connection for homes built after 1996, dryer circuits involved in remodeling after 1996, and all mobile home installations.

A copy of the above code standards can be obtained from: National Fire Protection Association, One Batterymarch Park, Quincy, MA 02269.

- To supply the required 3 or 4 wire, single phase, 120/240 volt, 60 Hz, AC only electrical supply (or 3 or 4 wire, 120/208 volt electrical supply, if specified on the serial/rating plate) on a separate 30-amp circuit, fused on both sides of the line. Connect to an individual branch circuit. Do not have a fuse in the neutral or grounding circuit.
- Do not use an extension cord.
- If codes permit and a separate ground wire is used, it is recommended that a qualified electrician determine that the ground path is adequate.

## Electrical Connection

To properly install your dryer, you must determine the type of electrical connection you will be using and follow the instructions provided for it here.

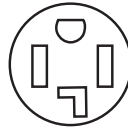
- This dryer is manufactured ready to install with a 3-wire electrical supply connection. The neutral ground conductor is permanently connected to the neutral conductor (white wire) within the dryer. If the dryer is installed with a 4-wire electrical supply connection, the neutral ground conductor must be removed from the external ground connector (green screw), and secured under the neutral terminal (center or white wire) of the terminal block. When the neutral ground conductor is secured under the neutral terminal (center or white wire) of the terminal block, the dryer cabinet is isolated from the neutral conductor.
- If local codes do not permit the connection of a neutral ground wire to the neutral wire, see "Optional 3-wire connection" section.
- A 4-wire power supply connection must be used when the appliance is installed in a location where grounding through the neutral conductor is prohibited. Grounding through the neutral is prohibited for (1) new branch-circuit installations, (2) mobile homes, (3) recreational vehicles, and (4) areas where local codes prohibit grounding through the neutral conductors.

## If using a power supply cord:

Use a UL listed power supply cord kit marked for use with clothes dryers. The kit should contain:

- A UL listed 30-amp power supply cord, rated 120/240 volt minimum. The cord should be type SRD or SRDT and be at least 4 ft. (1.22 m) long. The wires that connect to the dryer must end in ring terminals or spade terminals with upturned ends.
- A UL listed strain relief.

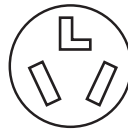
## If your outlet looks like this:



4-wire receptacle  
(14-30R)

Then choose a 4-wire power supply cord with ring or spade terminals and UL listed strain relief. The 4-wire power supply cord, at least 4 ft. (1.22 m) long, must have four 10-gauge copper wires and match a 4-wire receptacle of NEMA Type 14-30R. The ground wire (ground conductor) may be either green or bare. The neutral conductor must be identified by a white cover.

## If your outlet looks like this:



3-wire receptacle  
(10-30R)

Then choose a 3-wire power supply cord with ring or spade terminals and UL listed strain relief. The 3-wire power supply cord, at least 4 ft. (1.22 m) long, must have three 10-gauge copper wires and match a 3-wire receptacle of NEMA Type 10-30R.

## If connecting by direct wire:

Power supply cable must match power supply (4-wire or 3-wire) and be:

- Flexible armored cable or nonmetallic sheathed copper cable (with ground wire), protected with flexible metallic conduit. All current-carrying wires must be insulated.
- 10-gauge solid copper wire (do not use aluminum) at least 5 ft. (1.52 m) long.

## GROUNDING INSTRUCTIONS

### For a grounded, cord-connected washer:

This washer must be grounded. In the event of a malfunction or breakdown, grounding will reduce the risk of electrical shock by providing a path of least resistance for electric current. This washer is equipped with a cord having an equipment-grounding conductor and a grounding plug. The plug must be plugged into an appropriate outlet that is properly installed and grounded in accordance with all local codes and ordinances.

**WARNING:** Improper connection of the equipment-grounding conductor can result in a risk of electric shock. Check with a qualified electrician or serviceman if you are in doubt as to whether the appliance is properly grounded.

Do not modify the plug provided with the appliance – if it will not fit the outlet, have a proper outlet installed by a qualified electrician.

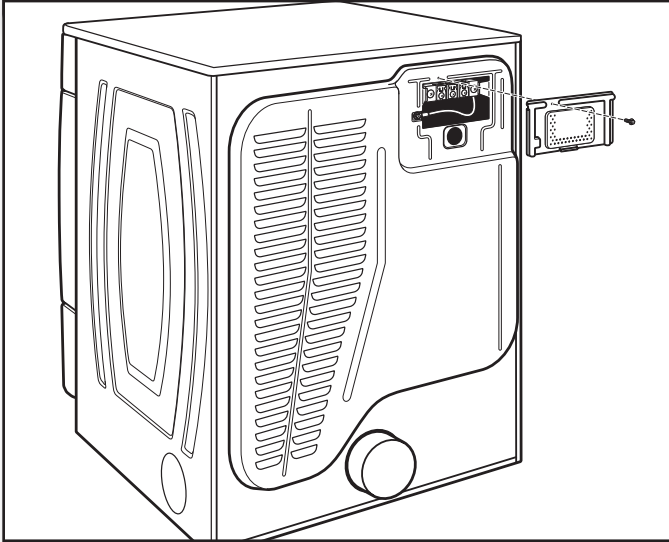
### For a permanently connected washer:

This washer must be connected to a grounded metal, permanent wiring system, or an equipment grounding conductor must be run with the circuit conductors and connected to the equipment-grounding terminal or lead on the appliance.

# INSTALLATION INSTRUCTIONS

Before you start: disconnect power.

## 1. Remove terminal block cover



Remove hold-down screw and terminal block cover.

## INSTALL STRAIN RELIEF

If installing power supply cord strain relief, continue with steps 2-3.

If installing direct wire strain relief, continue with steps 4-5.

Power supply cord strain relief:

### **WARNING**



#### Fire Hazard

Use a new UL listed 30 amp power supply cord.

Use a UL listed strain relief.

Disconnect power before making electrical connections.

Connect neutral wire (white or center wire) to center terminal (silver).

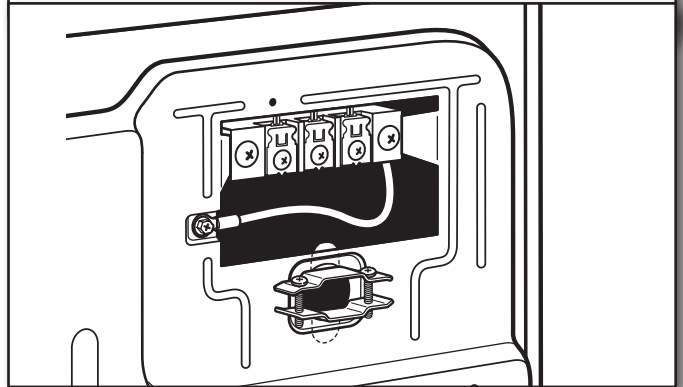
Ground wire (green or bare wire) must be connected to green ground connector.

Connect remaining 2 supply wires to remaining 2 terminals (gold).

Securely tighten all electrical connections.

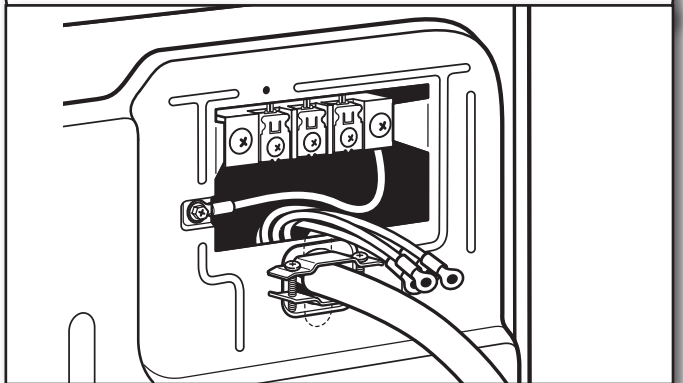
Failure to do so can result in death, fire, or electrical shock.

## 2. Attach power supply cord strain relief



Remove screws from 3/4" (19 mm) UL listed strain relief (UL marking on strain relief). Put two clamp section tabs into hole below terminal block opening with one tab pointing up and one pointing down. Hold in place and tighten strain relief screws enough to hold two clamp sections together.

## 3. Attach power supply cord to strain relief



Put power supply cord through strain relief. Be sure that wire insulation on power cord is inside strain relief. Strain relief should be a tight fit with dryer cabinet and be in a horizontal position. Do not tighten strain relief screws at this point. **Now skip to step 6.**



Direct wire strain relief:

## ⚠ WARNING



### Fire Hazard

Use 10 gauge solid copper wire.

Use a UL listed strain relief.

Disconnect power before making electrical connections.

Connect neutral wire (white or center wire) to center terminal (silver).

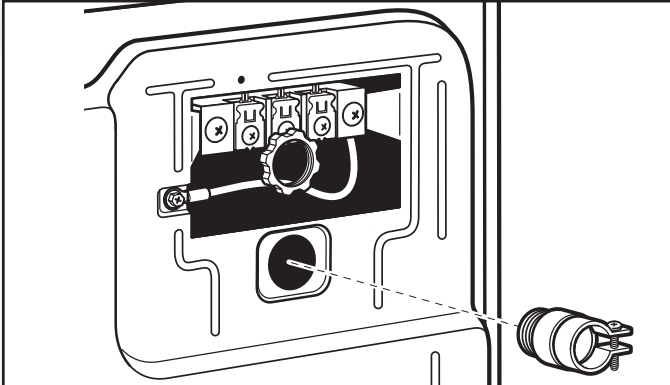
Ground wire (green or bare wire) must be connected to green ground connector.

Connect remaining 2 supply wires to remaining 2 terminals (gold).

Securely tighten all electrical connections.

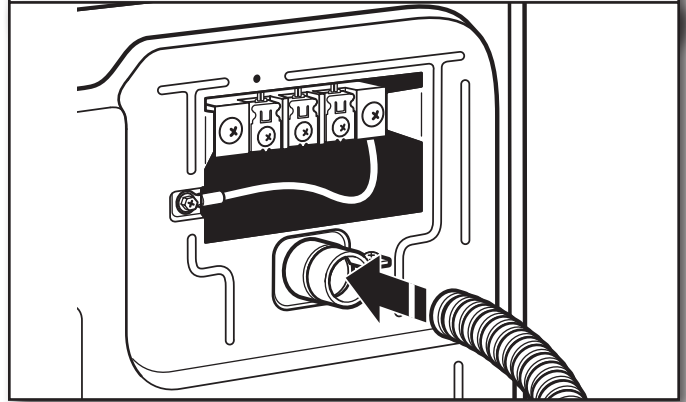
Failure to do so can result in death, fire, or electrical shock.

## 4. Attach direct wire strain relief



Unscrew removable conduit connector and any screws from a 3/4" (19 mm) UL listed strain relief (UL marking on strain relief). Put threaded section of strain relief through hole below terminal block opening, screw removable conduit connector onto strain relief threads.

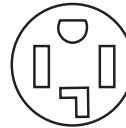
## 5. Attach direct wire cable to strain relief



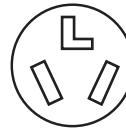
Put direct wire cable through strain relief. Strain relief should be a tight fit with dryer cabinet and be in a horizontal position. Tighten strain relief screw against direct wire cable. **Continue with step 6.**

## ELECTRICAL CONNECTION OPTIONS

## 6. Choose electrical connection type



Power supply cord 4-wire receptacle (NEMA Type 14-30R):  
Follow steps 7-10.  
Then, go to Venting Requirements.



Power supply cord 3-wire receptacle (NEMA Type 10-30R):  
Follow steps 11-13.  
Then go to Venting Requirements.



4-wire direct connection:  
Follow steps 14-17.  
Then go to Venting Requirements.



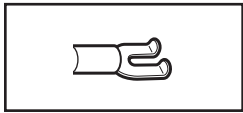
3-wire direct connection:  
Follow steps 18-20.  
Then go to Venting Requirements.

**IMPORTANT:** A 4-wire connection is required for mobile homes and where local codes do not permit 3-wire connections. Use 3-wire connections where local codes permit connecting cabinet-ground conductor to neutral wire.

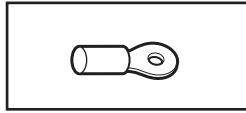
**NOTE:** If local codes do not permit connection of a cabinet-ground conductor to neutral wire, go to "Optional 3-wire connection" and follow steps 21-23. This connection may be used with either a power supply cord or a direct wire connection.

## 4-WIRE POWER SUPPLY CORD CONNECTION

Choose a standard power supply cord connector:

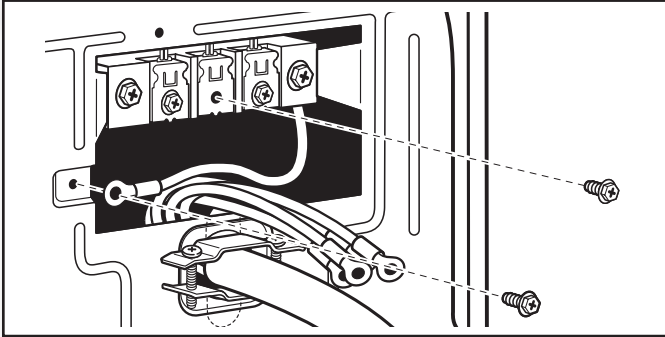


Flanged spade connectors



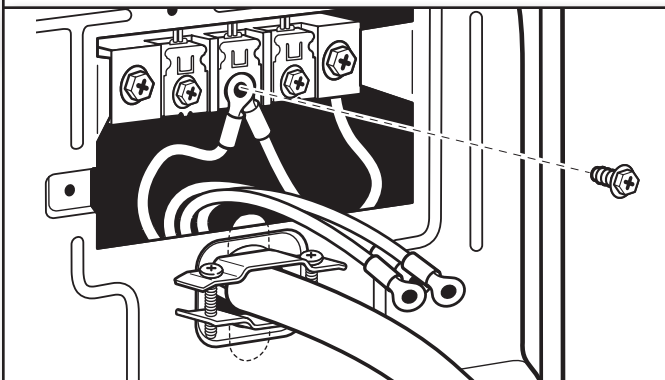
Ring connectors

### 7. Prepare to connect neutral ground wire and neutral wire.



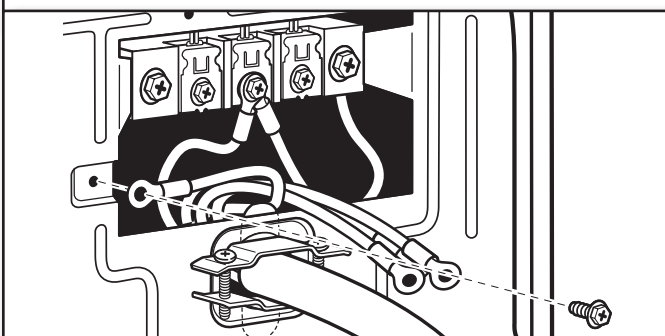
Remove center, silver-colored terminal block screw. Remove neutral ground wire from external ground conductor screw.

### 8. Connect neutral ground wire and neutral wire



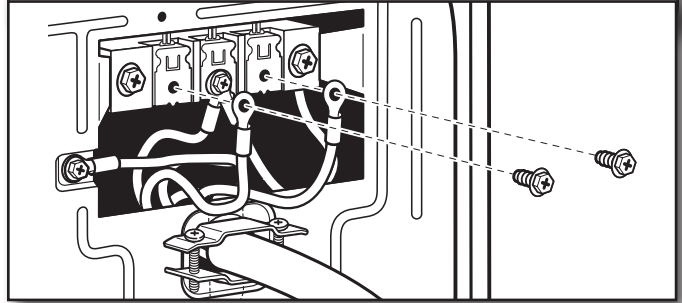
Connect neutral ground wire and neutral wire (white or center wire) of power supply cord under center, silver-colored terminal block screw. Tighten screw.

### 9. Connect ground wire



Connect ground wire (green or bare) of power supply cord to external ground conductor screw. Tighten screw.

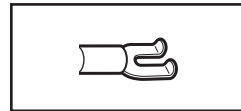
### 10. Connect remaining wires



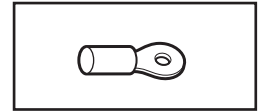
Connect remaining wires to outer terminal block screws. Tighten screws. Finally, reinsert tab of terminal block cover into slot of dryer rear panel. Secure cover with hold-down screw. **Now, go to Venting Requirements.**

## 3-WIRE POWER SUPPLY CORD CONNECTION

Choose a standard power supply cord connector:

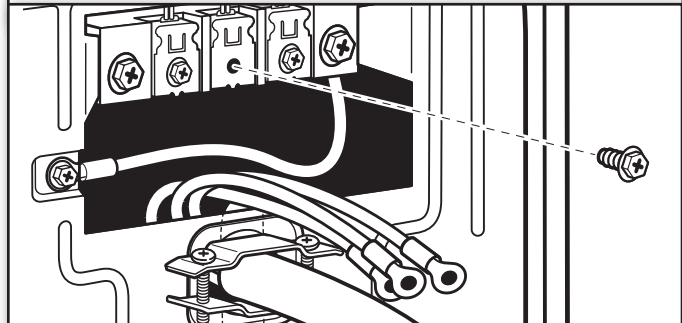


Flanged spade connectors



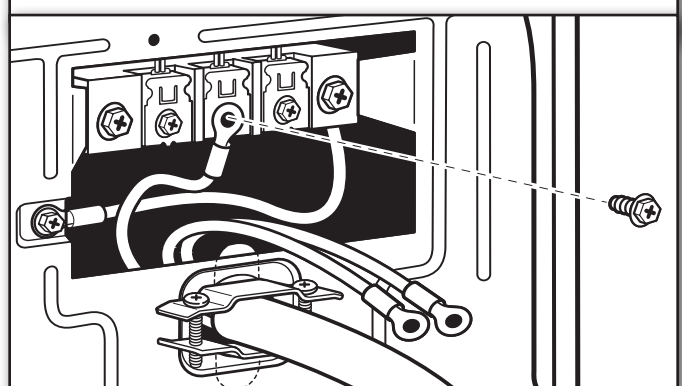
Ring connectors

### 11. Remove center screw



Remove center, silver-colored terminal block screw.

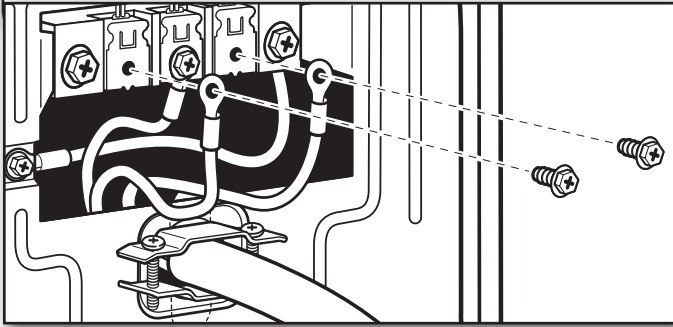
### 12. Connect neutral wire



Connect neutral wire (white or center wire) of power supply cord to center, silver-colored screw on terminal block. Tighten screw.

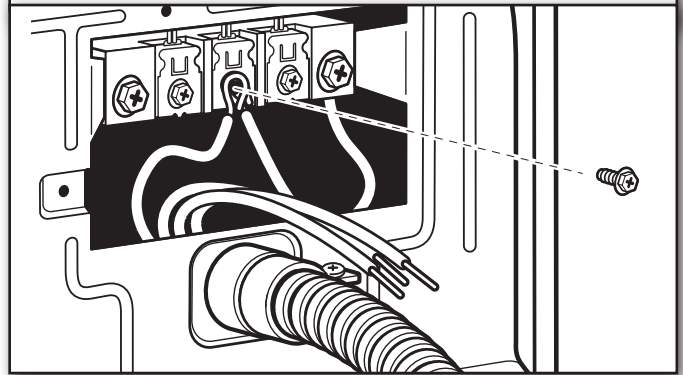


### 13. Connect remaining wires



Connect remaining wires to outer terminal block screws. Tighten screws. Finally, reinsert tab of terminal block cover into slot of dryer rear panel. Secure cover with hold-down screw. **Now, go to Venting Requirements.**

### 15. Connect neutral ground wire and neutral wire



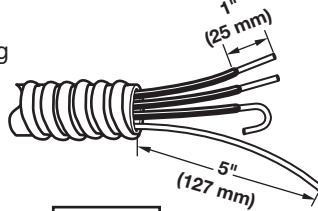
Connect neutral ground wire and place hooked end (hook facing right) of neutral wire (white or center wire) of direct wire cable under center screw of terminal block. Squeeze hooked ends together and tighten screw.

## 4-WIRE DIRECT WIRE CONNECTION

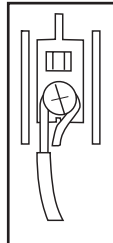
### Prepare your 4-wire cable for direct connection:

Direct wire cable must have 5 ft. (1.52 m) of extra length so dryer may be moved if needed.

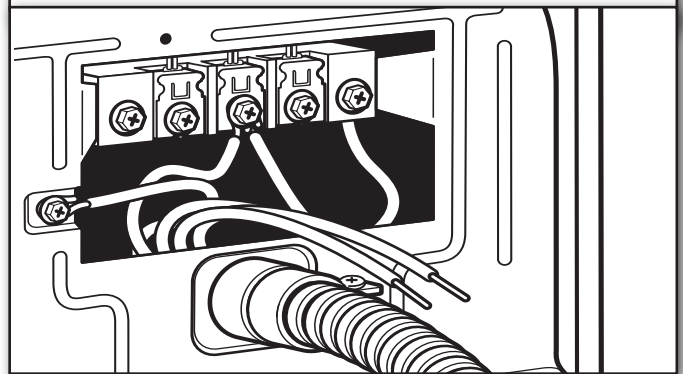
Strip 5" (127 mm) of outer covering from end of cable, leaving bare ground wire at 5" (127 mm). Cut 1 1/2" (38 mm) from remaining 3 wires. Strip insulation back 1" (25 mm). Shape ends of wires into hooks.



To connect wires to terminal block, place hooked end of wire under terminal block screw, facing to the right, squeeze hooked end together and tighten screw.

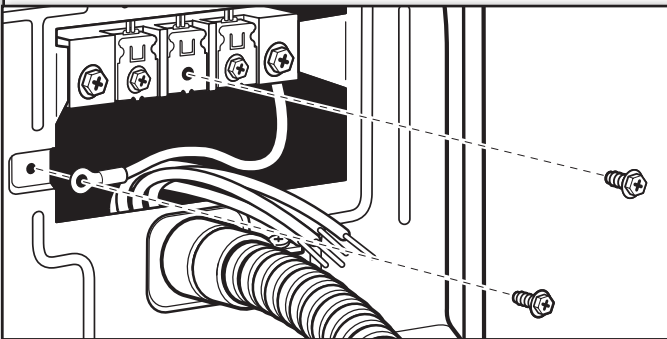


### 16. Connect ground wire



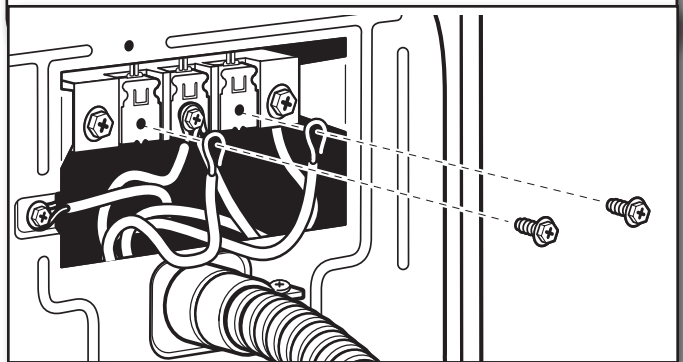
Connect ground wire (green or bare) of direct wire cable to external ground conductor screw. Tighten screw.

### 14. Prepare to connect neutral ground wire and neutral wire



Remove center, silver-colored terminal block screw. Remove neutral ground wire from external ground conductor screw.

### 17. Connect remaining wires



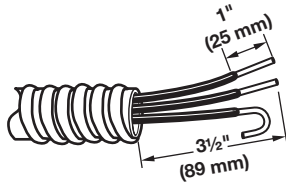
Place hooked ends of remaining direct wire cable wires under outer terminal block screws (hooks facing right). Squeeze hooked ends together and tighten screws. Finally, reinsert tab of terminal block cover into slot of dryer rear panel. Secure cover with hold-down screw. **Now, go to Venting Requirements.**

## 3-WIRE DIRECT WIRE CONNECTION

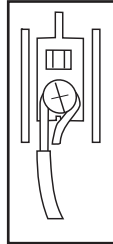
### Prepare your 3-wire cable for direct connection:

Direct wire cable must have 5 ft. (1.52 m) of extra length so dryer may be moved if needed.

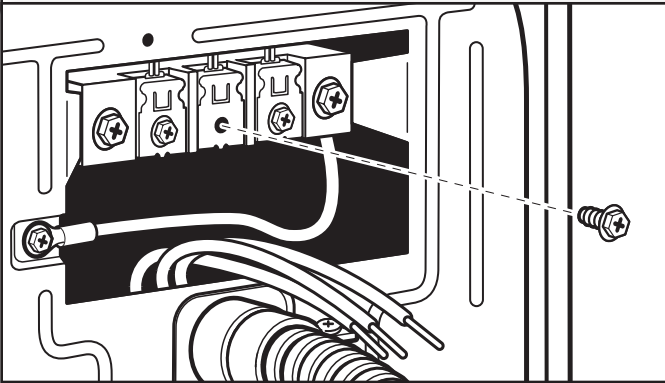
Strip 3½" (89 mm) of outer covering from end of cable. Strip insulation back 1" (25 mm). If using 3-wire cable with ground wire, cut bare wire even with outer covering. Shape wire ends into hooks.



To connect wires to terminal block, place hooked end of wire under terminal block screw, facing to the right, squeeze hooked end together and tighten screw.

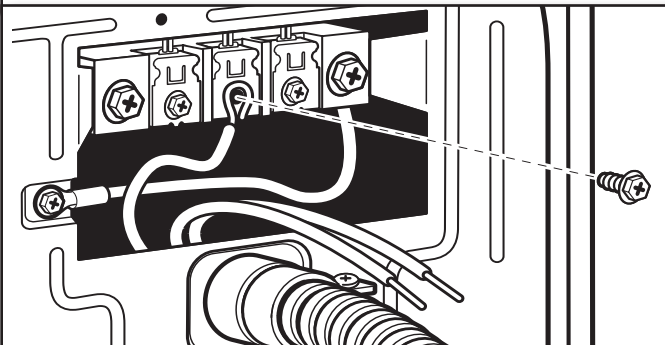


### 18. Remove center screw



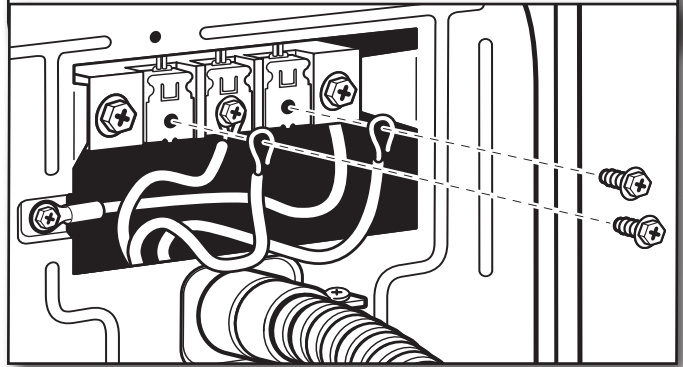
Remove center, silver-colored terminal block screw.

### 19. Connect neutral wire



Place hooked end of neutral wire (white or center wire) of direct wire cable under center terminal block screw. Squeeze hooked end together. Tighten screw.

### 20. Connect remaining wires

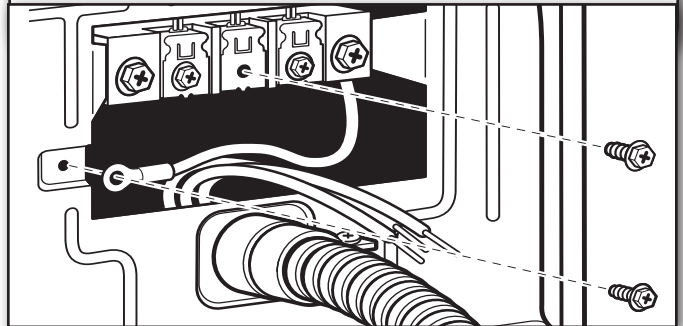


Place hooked ends of remaining direct wire cable wires under outer terminal block screws (hooks facing right). Squeeze hooked ends together and tighten screws. Finally, reinsert tab of terminal block cover into slot of dryer rear panel. Secure cover with hold-down screw. **Now, go to Venting Requirements.**

## OPTIONAL 3-WIRE CONNECTION

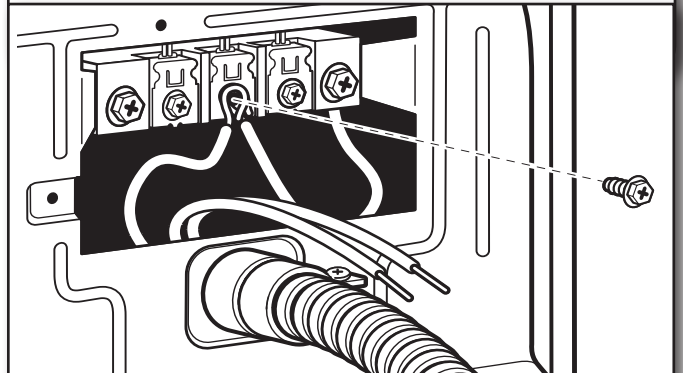
You must verify with a qualified electrician that this grounding method is acceptable before connecting.

### 21. Prepare to connect neutral ground wire and neutral wire



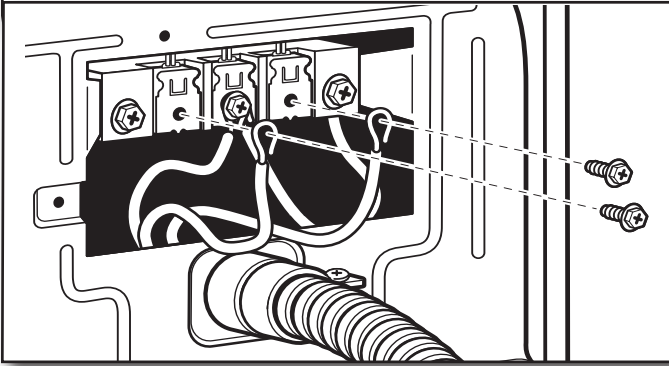
Remove center, silver-colored terminal block screw. Remove neutral ground wire from external ground conductor screw.

### 22. Connect neutral ground wire and neutral wire



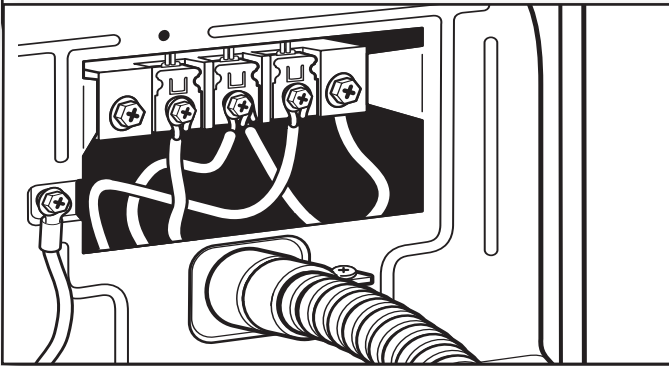
Connect neutral ground wire and neutral wire (white or center wire) of power supply cord or cable under center, silver-colored terminal block screw. Tighten screw.

## 23. Connect remaining wires



Place hooked ends of remaining wires under outer terminal block screws (hooks facing right). Tighten screws.

## 24. Connect external ground wire



Connect external ground wire to the green ground terminal screw. Finally, reinsert tab of terminal block cover into slot of dryer rear panel. Secure cover with hold-down screw. **Now, go to Venting Requirements.**

## VENTING REQUIREMENTS

### ⚠ WARNING



#### Fire Hazard

Use a heavy metal vent.

Do not use a plastic vent.

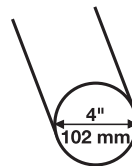
Do not use a metal foil vent.

Failure to follow these instructions can result in death or fire.

**WARNING:** To reduce the risk of fire, this dryer **MUST BE EXHAUSTED OUTDOORS.**

**IMPORTANT:** Observe all governing codes and ordinances.

Dryer exhaust must not be connected into any gas vent, chimney, wall, ceiling, attic, crawlspace, or a concealed space of a building. Only rigid or flexible metal vent shall be used for exhausting.



- Only a 4" (102 mm) heavy metal exhaust vent and clamps may be used.
- Do not use plastic or metal foil vent.

#### Rigid metal vent:

■ Recommended for best drying performance and to prevent crushing and kinking.

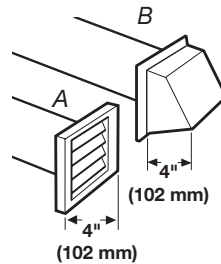
#### Flexible metal vent: (Acceptable only if accessible to clean)

- Must be fully extended and supported in final dryer location.
- Remove excess to avoid sagging and kinking that may result in reduced airflow and poor performance.
- Do not install in enclosed walls, ceilings, or floors.
- The total length should not exceed 7 <sup>3</sup>/<sub>4</sub> ft. (2.4 m).

**NOTE:** If using an existing vent system, clean lint from entire length of the system and make sure exhaust hood is not plugged with lint. Replace plastic or metal foil vents with rigid metal or flexible metal vents. Review Vent system chart and if necessary, modify existing vent system to achieve best drying performance.

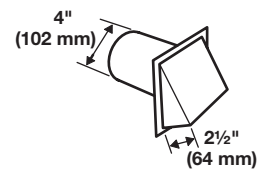
#### Exhaust hoods:

- Must be at least 12" (305 mm) from ground or any object that may obstruct exhaust (such as flowers, rocks, bushes, or snow).



Recommended styles:

- A. Louvered hood
- B. Box hood



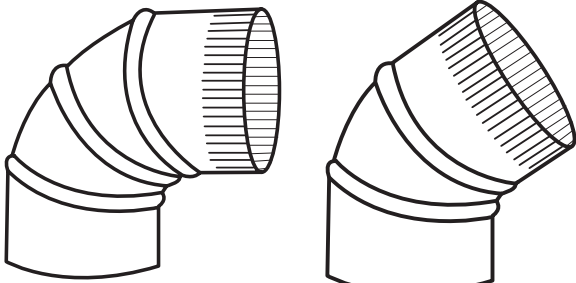
Acceptable styles:

- C. Angled hood

- An exhaust hood should cap vent to keep rodents and insects from entering home.
- Do not use exhaust hood with a magnetic latch.

### Elbows:

- 45° elbows provide better airflow than 90° elbows.

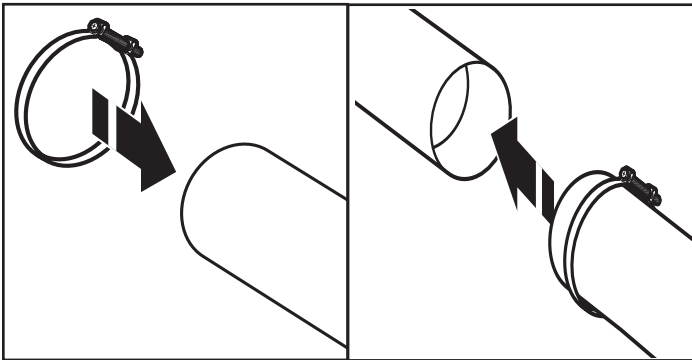


Good

Better

### Clamps:

- Use clamps to seal all joints.
- Exhaust vent must not be connected or secured with screws or other fastening devices that extend into interior of duct and catch lint. Do not use duct tape.



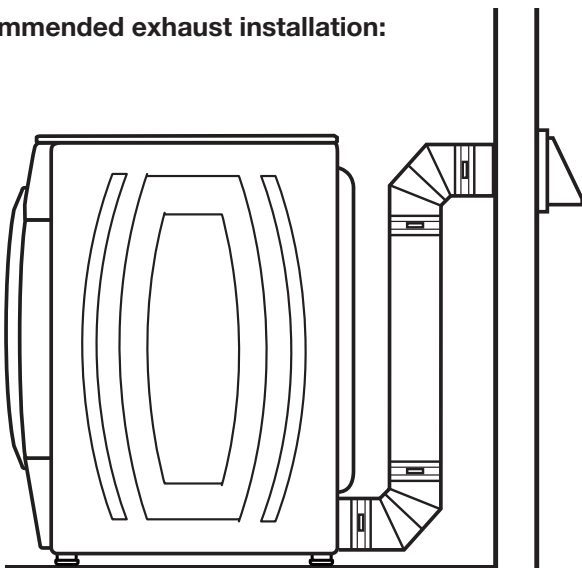
**IMPORTANT:** Improper venting can cause moisture and lint to collect indoors, which may result in moisture damage to woodwork, furniture, paint, wallpaper, and other items. Improper venting may also lead to housecleaning and health problems.

Vent products can be purchased from your dealer or by calling Whirlpool Service. For more information, see "Assistance or Service" section in your Use and Care Guide.

## PLAN VENT SYSTEM

### Choose your exhaust installation type

#### Recommended exhaust installation:



Standard rear-exhaust hook-up

### Optional exhaust installations:

## ⚠ WARNING



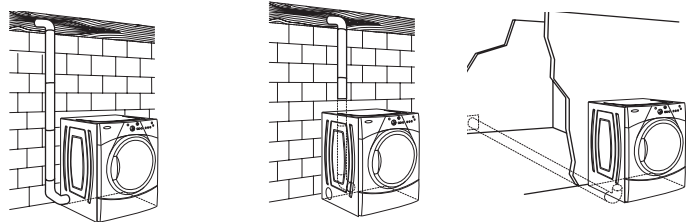
### Fire Hazard

Use a heavy metal vent.

Do not use a plastic vent.

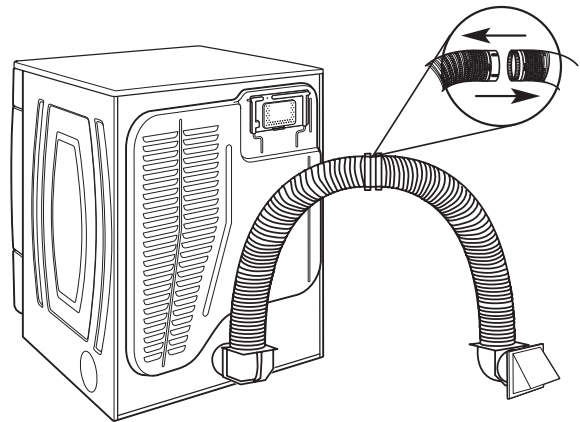
Do not use a metal foil vent.

Failure to follow these instructions can result in death or fire.

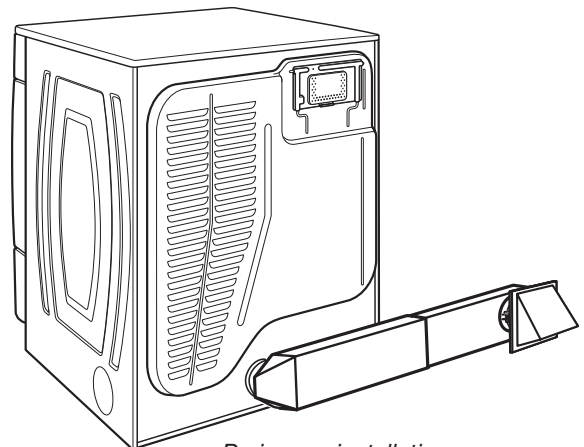


If you prefer, dryer may be converted to exhaust out right side, left side, or through bottom. You must contact your local dealer to have dryer converted.

### Alternate exhaust installations (for close clearance):



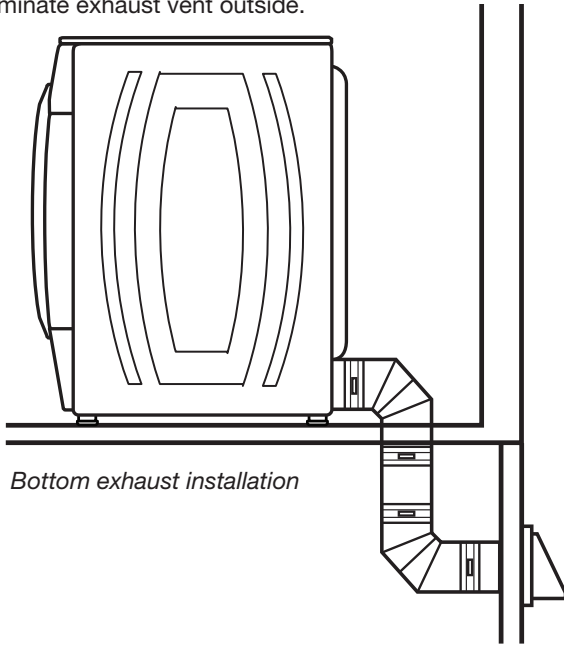
Over-the-top installation (also available with one offset elbow)



Periscope installation

**Special provisions for mobile homes:**

Exhaust vent must be securely fastened to a noncombustible portion of mobile home and must not terminate beneath it. Terminate exhaust vent outside.



Bottom exhaust installation

**Determine vent path:**

- Select route that will provide straightest and most direct path outdoors.
- Plan installation to use fewest number of elbows and turns.
- When using elbows or making turns, allow as much room as possible.
- Bend vent gradually to avoid kinking.
- Use as few 90° turns as possible.

**Determine vent length and elbows needed:**

- Use following Vent system chart to determine type of vent material and hood combinations acceptable to use.

**NOTE:** Do not use vent runs longer than those specified in Vent system chart.

Exhaust systems longer than those specified will:

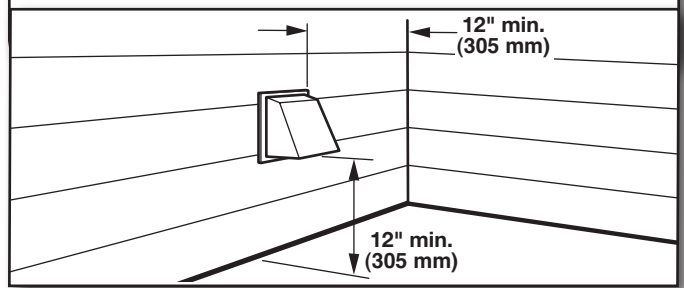
- Shorten life of dryer.
- Reduce performance, resulting in longer drying times and increased energy usage.

The Vent system chart provides venting requirements that will help achieve best drying performance.

Vent system chart			
Number of 90° elbows	Type of vent	Box/louvered hoods	Angled hoods
0	Rigid metal	64 ft. (20 m)	58 ft. (17.7 m)
1	Rigid metal	54 ft. (16.5 m)	48 ft. (14.6 m)
2	Rigid metal	44 ft. (13.4 m)	38 ft. (11.6 m)
3	Rigid metal	35 ft. (10.7 m)	29 ft. (8.8 m)
4	Rigid metal	27 ft. (8.2 m)	21 ft. (6.4 m)

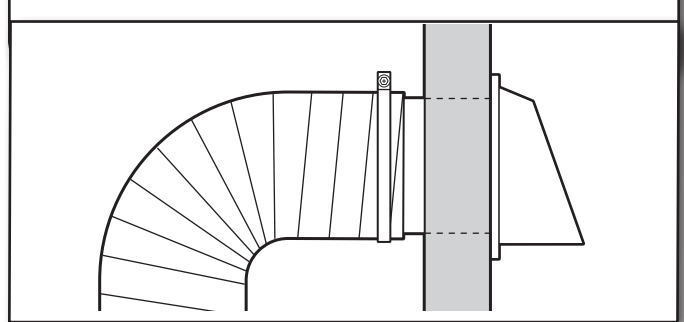
**INSTALL VENT SYSTEM**

**25. Install exhaust hood**



Install exhaust hood and use caulking compound to seal exterior wall opening around exhaust hood.

**26. Connect vent to exhaust hood**



Vent must fit inside exhaust hood. Secure vent to exhaust hood with 4" (102 mm) clamp. Run vent to dryer location using straightest path possible. Avoid 90° turns. Use clamps to seal all joints. Do not use duct tape, screws, or other fastening devices that extend into interior of vent to secure vent, which can catch lint.

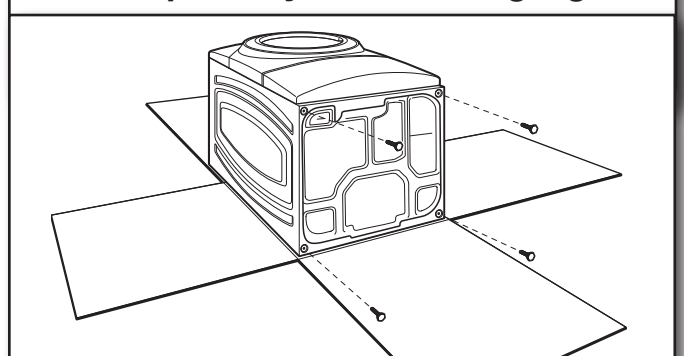
**INSTALL LEVELING LEGS**

**⚠ WARNING**

**Excessive Weight Hazard**

**Use two or more people to move and install dryer. Failure to do so can result in back or other injury.**

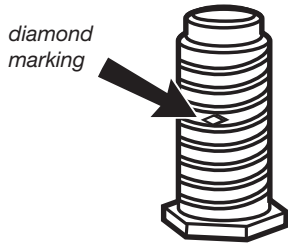
**27. Prepare dryer for leveling legs**



To avoid damaging floor, use a large flat piece of cardboard from dryer carton; place under entire back edge of dryer. Firmly grasp dryer body (not console panel) and gently lay dryer down on cardboard.



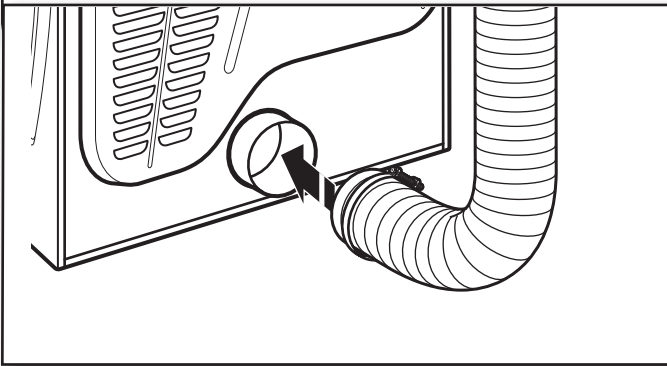
## 28. Screw in leveling legs



Examine leveling legs, find diamond marking. Screw legs into leg holes by hand, use a wrench to finish turning legs until diamond marking is no longer visible.

## CONNECT VENT

### 29. Connect vent to exhaust outlet



Using a 4" (102 mm) clamp, connect vent to exhaust outlet in dryer. If connecting to existing vent, make sure vent is clean. Dryer vent must fit over dryer exhaust outlet and inside exhaust hood. Check that vent is secured to exhaust hood with a 4" (102 mm) clamp.

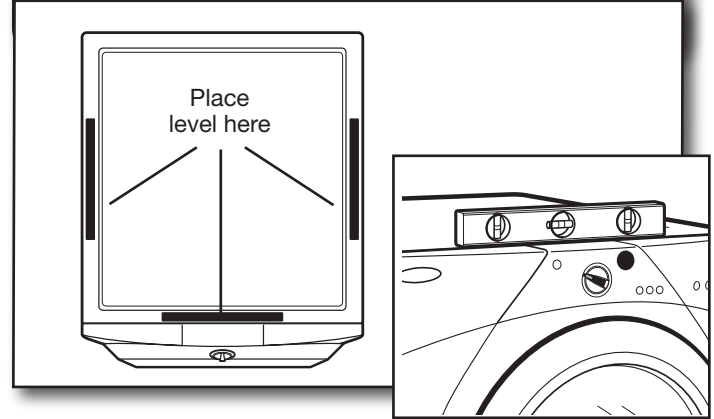
### 30. Move dryer to final location



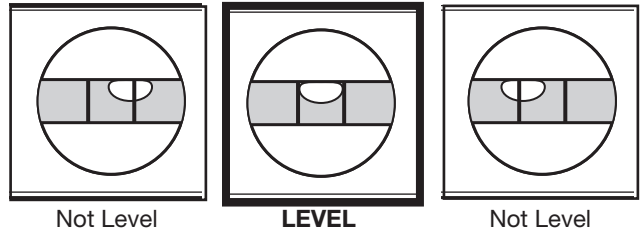
Move dryer to final location, taking care not to crush or kink vent. After dryer is in place, remove corner posts and cardboard from under dryer.

## LEVEL DRYER

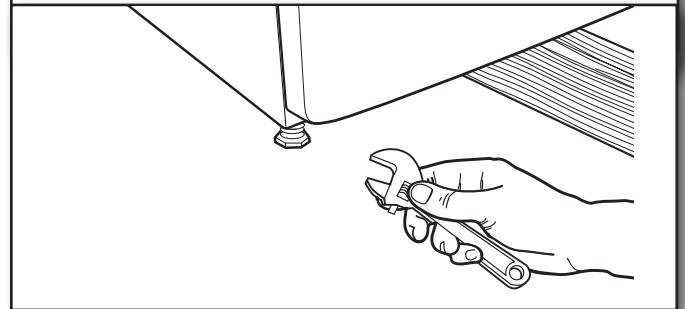
### 31. Level Dryer



Check levelness of dryer from side to side. Repeat from front to back.



### 32. Tighten and adjust leveling legs



If dryer is not level, prop up using a wood block, use wrench to adjust legs up or down, and check again for levelness. Once legs are level, make sure all four legs are snug against the ground before tightening them.



## COMPLETE INSTALLATION CHECKLIST

- Check that all parts are now installed. If there is an extra part, go back through steps to see what was skipped.
- Check that you have all of your tools.
- Dispose of/recycle all packaging materials.
- Check dryer's final location. Be sure vent is not crushed or kinked.
- Check that dryer is level. See "Level Dryer".
- Remove blue film on console and any tape remaining on dryer.
- Wipe dryer drum interior thoroughly with a damp cloth to remove any dust.
- Read "Dryer Use" in your Use and Care Guide.
- For power supply cord installation, plug into a grounded outlet. For direct wire installation, turn on Power.
- Select a Time Dry heated cycle, and start dryer. Do not select Air Only Temperature setting.

If dryer will not start, check the following:

- Controls are set in a running or "On" position.
- Start button has been pushed firmly.
- Dryer is plugged into an outlet and/or electrical supply.
- Household fuse is intact and tight, or circuit breaker has not tripped.
- Dryer door is closed.

This dryer automatically runs an installation diagnostic routine at the start of its first cycle.

**NOTE:** You may notice an odor when dryer is first heated. This odor is common when heating element is first used. The odor will go away.

## DOOR REVERSAL

If you prefer to reverse the door swing on your dryer:

- A door reversal kit, Part Number W10277499 is available to order. For further information, see "Assistance or Service" section in your Use and Care Guide, or to download door reversal instructions on your computer, have your model number ready, and go to [www.whirlpool.com](http://www.whirlpool.com).

## TROUBLESHOOTING

Try these solutions to possibly avoid costs of a service call...

### Dryer Operation

**Dryer will not run:**

- **Has a household fuse blown, or has a circuit breaker tripped?** Electric dryers use 2 household fuses or circuit breakers. Check that both fuses are intact and tight, and breakers have not tripped. Replace fuse or reset circuit breaker. If problem persists, call an electrician.
- **Is correct power supply available?** Electric dryers require 240-volt power supply. Check with a qualified electrician.
- **Was a regular fuse used?** Use a time-delay fuse.

**Dryer drum turns, but no heat:**

- **Has a household fuse blown, or has a circuit breaker tripped?** Electric dryers use 2 household fuses or circuit breakers. Replace fuse or reset circuit breaker. If problem persists, call an electrician.

**Dryer displaying code message:**

**On models with a time display:**

- **"PF" (power failure) Check the following:** Was drying cycle interrupted by power failure? Press and hold START to restart dryer.

**Try the following:**

Check if a household fuse has blown or circuit breaker has tripped. Electric dryers use two household fuses or breakers. Replace fuse or reset circuit breaker.

Confirm power cord is properly installed. Refer to "Electrical Connection" section for details.

Select a Timed Dry heated cycle, and restart dryer.

If message persists, consult a qualified electrician.

- **"F" Variable (F1E1, F2E2, F3E1, F3E2, F7E1, F3E6, F3E7) service codes:** Call for service.

**On models without a time display window:**

- **"WET" indicator light is flashing and all other display/indicator lights on control panel are off:** Call for service.

## Dryer Results

**Clothes are not drying satisfactorily, drying times are too long, or load is too hot:**

- **Is lint screen clogged with lint?** Lint screen should be cleaned before each load.

## ⚠ WARNING



### Fire Hazard

**Use a heavy metal vent.**

**Do not use a plastic vent.**

**Do not use a metal foil vent.**

**Failure to follow these instructions can result in death or fire.**

- **Is exhaust vent or outside exhaust hood clogged with lint, restricting air movement?** Run dryer for 5-10 minutes. Hold hand under outside exhaust hood to check air movement. If you do not feel air movement, clean exhaust system of lint or replace exhaust vent with heavy metal or flexible metal vent.
- **Are fabric softener sheets blocking grille?** Use only one fabric softener sheet, and use each only once.
- **Is exhaust vent correct length?** Check if exhaust vent is too long or has too many turns. Long venting increases dry time.

