



Duet® Steam Electronic Gas Dryer

PRODUCT MODEL NUMBERS

WGD9500T

Gas supply: This dryer is equipped for use with Natural gas. Dryer can be converted to L.P. gas. When rigid pipe is used it should be 1/2" IPS. When acceptable to the gas supplier and local codes, 3/8" approved tubing may be used for lengths under 20 ft. (6.1 m). For lengths over 20 ft. (6.1 m), larger tubing should be used. Pipe-joint compounds resistant to the action of L.P. gas must be used. An individual manual shutoff valve must be installed within 6 ft. (1.8 m) of the dryer in accordance with the National Fuel Gas Code ANSI Z223.1.

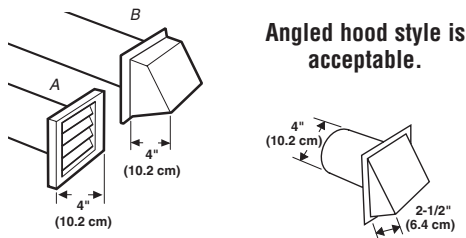
Electrical: A 120-volt, 60 Hz, AC-only, 15 or 20 amp fused electrical supply is required. A time-delay fuse or circuit breaker and a separate circuit are recommended.

Exhaust venting: Exhaust your dryer to the outside. Four inch (10.2 cm) diameter vent is required. Rigid or flexible metal exhaust vent must be used. Do Not use plastic or metal foil vent. Exhaust hood must be at least 12" (30.5 cm) from the ground or any object that may be in the path of the exhaust.

Water: The dryer must be connected to the cold water faucet using new inlet hoses. Do not use old hoses. Do not over tighten. Damage to the coupling can result.

EXHAUST VENTING

Recommended hood styles



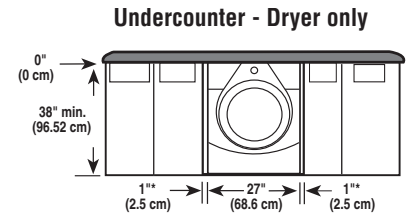
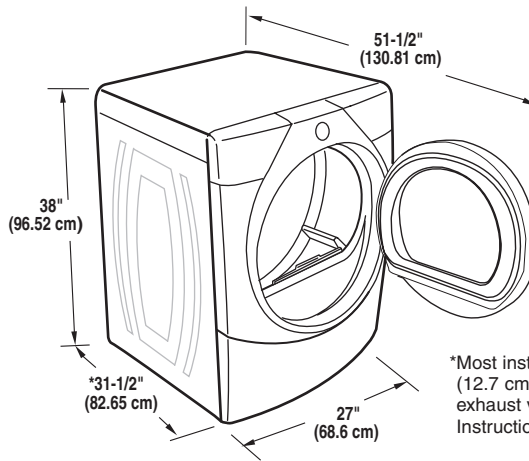
A. Louvered hood style
B. Box hood style

Angled hood style is acceptable.

| Number of 90° turns or elbows | Type of vent | Box or Louvered hoods | Angled hoods |
|-------------------------------|-------------------------------|---------------------------------|---------------------------------|
| 0 | Rigid metal Flexible metal | 64 ft (20 m) 36 ft (11 m) | 58 ft (17.7 m) 28 ft (8.5 m) |
| 1 | Rigid metal Flexible metal | 54 ft (16.5 m) 31 ft (9.4 m) | 48 ft (14.6 m) 23 ft (7 m) |
| 2 | Rigid metal Flexible metal | 44 ft (13.4 m) 27 ft (8.2 m) | 38 ft (11.6 m) 19 ft (5.8 m) |
| 3 | Rigid metal Flexible metal | 35 ft (10.7 m) 25 ft (7.6 m) | 29 ft (8.8 m) 17 ft (5.2 m) |
| 4 | Rigid metal Flexible metal | 27 ft (8.2 m) 23 ft (7 m) | 21 ft (6.4 m) 15 ft (4.6 m) |

NOTE: Side and bottom exhaust installations have a 90° turn inside the dryer. To determine maximum exhaust length, add one 90° turn to the chart.

OVERALL DIMENSIONS

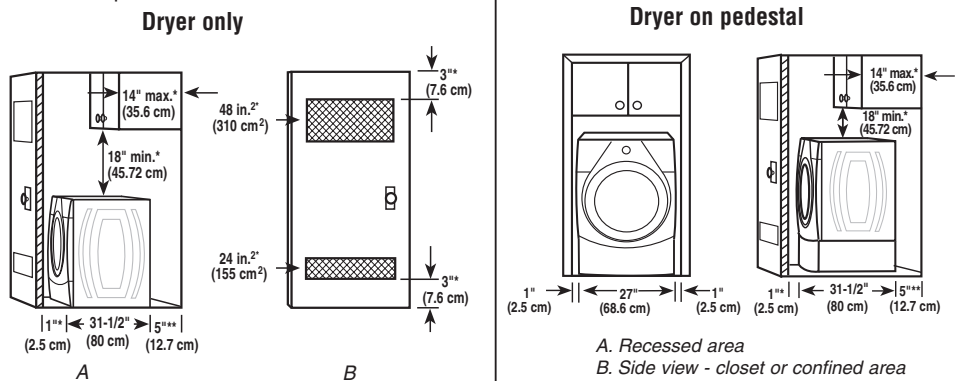


*Required spacing

*Most installations require a minimum 5" (12.7 cm) clearance behind the dryer for the exhaust vent with elbow. See Installation Instructions, "Venting Requirements."

RECESSED AREA AND CLOSET INSTALLATION

For closet installation, with a door, the minimum ventilation openings in the top and bottom of the door are required. Louvered doors with equivalent air ventilation openings are acceptable.



A. Side view - closet or confined area
B. Closet door with vents

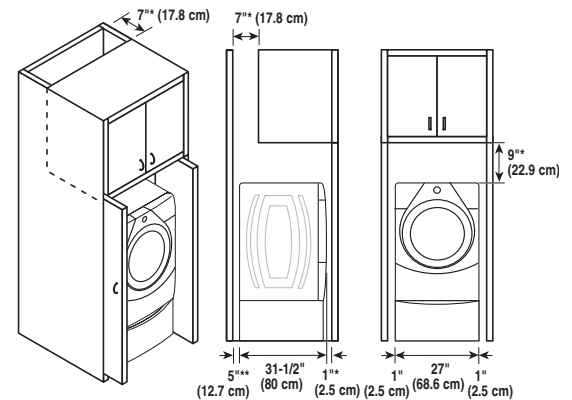
*Required spacing
**For side or bottom venting, 2" (5.1 cm) spacing is allowed.

A. Recessed area
B. Side view - closet or confined area

*Required spacing
**For side or bottom venting, 2" (5.1 cm) spacing is allowed.

Recommended installation spacing for cabinet installation

For cabinet installation, with a door, the minimum ventilation openings in the top of the cabinet are required.



*Required spacing
**For side or bottom venting, 2" (5.1 cm) spacing is allowed.

Select the route that will provide the straightest and most direct path outdoors. Plan the installation to use the fewest number of elbows and turns. Use the fewest 90° turns possible.

Do not use vent runs longer than specified in vent length chart.

Determine the number of elbows you will need.