
INSTALLATION INSTRUCTIONS PEDESTAL

For use only with front load washer and dryers

INSTRUCCIONES DE INSTALACIÓN PEDESTAL

Para uso sólo con lavadoras y secadoras de carga frontal

INSTRUCTIONS D'INSTALLATION PIÉDESTAL

Pour utilisation avec les produits suivants seulement
laveuses et sècheuses à chargement par l'avant

Table of Contents/Índice/Table des matières.....2

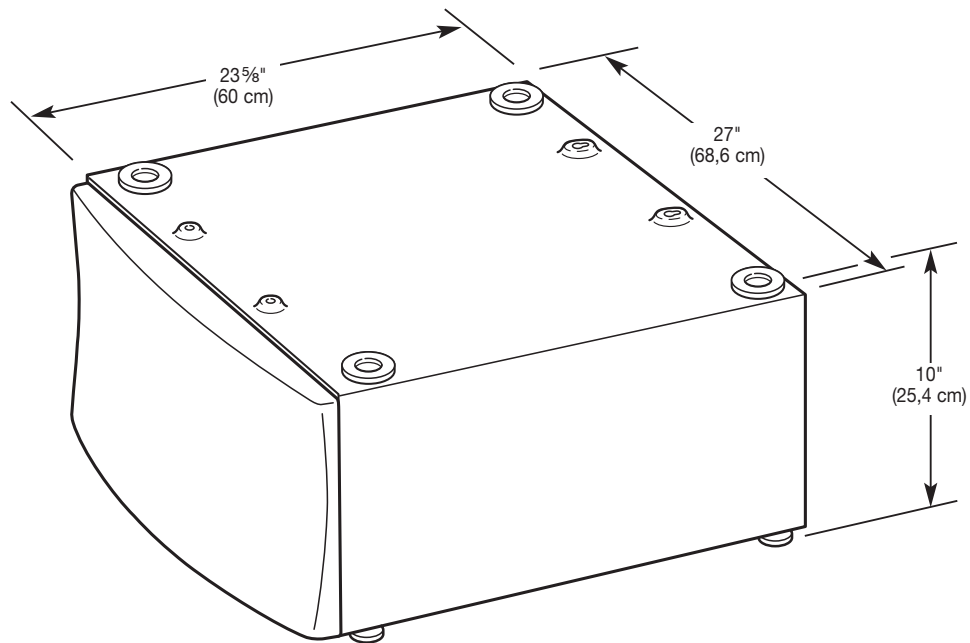


TABLE OF CONTENTS

PEDESTAL SAFETY	2
Tools and Parts	2
INSTALLATION INSTRUCTIONS	3
Before Installing Pedestal	3
Installing the Pedestal	4
Complete Installation	4
KENMORE LAUNDRY WARRANTY	6
WHIRLPOOL LAUNDRY WARRANTY	7

ÍNDICE

SEGURIDAD DEL PEDESTAL	8
Piezas y herramientas	8
INSTRUCCIONES DE INSTALACIÓN	9
Antes de instalar el pedestal	9
Instalación del pedestal	10
Complete la instalación	11
GARANTÍA DE LAVANDERÍA	
KENMORE	12
GARANTÍA DE LAVANDERÍA	
WHIRLPOOL	13

TABLE DES MATIÈRES

SÉCURITÉ DU PIÉDESTAL	14
Outils et pièces	14
INSTRUCTIONS D'INSTALLATION	15
Avant l'installation du piédestal	15
Installation du piédestal	16
Achever l'installation	17
GARANTIE DE BUANDERIE	
KENMORE	18
GARANTIE DE BUANDERIE	
WHIRLPOOL	19

PEDESTAL SAFETY

Your safety and the safety of others are very important.

We have provided many important safety messages in this manual and on your appliance. Always read and obey all safety messages.



This is the safety alert symbol.

This symbol alerts you to potential hazards that can kill or hurt you and others.

All safety messages will follow the safety alert symbol and either the word "DANGER" or "WARNING."

These words mean:

⚠ DANGER

You can be killed or seriously injured if you don't immediately follow instructions.

⚠ WARNING

You can be killed or seriously injured if you don't follow instructions.

All safety messages will tell you what the potential hazard is, tell you how to reduce the chance of injury, and tell you what can happen if the instructions are not followed.

⚠ WARNING



Explosion Hazard

Keep flammable materials and vapors, such as gasoline, away from dryer.

Place dryer at least 18 inches (46 cm) above the floor for a garage installation.

Failure to do so can result in death, explosion, or fire.

Tools and Parts

Gather the required tools and parts before starting installation.

Tools needed

- utility knife
- ¼" hex head ratchet or open-end wrench
- level
- ⅝" open-end wrench
- pliers or slip-joint pliers
- bucket

Parts supplied

- four #12 x ⅝" hex head sheet metal screws (in parts bag)
- Installation Instructions

NOTE: If the dryer and pedestal assembly is located in a garage, 8" (20.3 cm) must be added under the pedestal so that the dryer is 18" (46 cm) above the garage floor.

INSTALLATION INSTRUCTIONS

Before Installing Pedestal

IMPORTANT: If your washer and dryer are already installed, they must be uninstalled.

If you need to uninstall your washer or dryer, see the installation instructions that came with your model for tools required.

Uninstalling your washer

⚠ WARNING

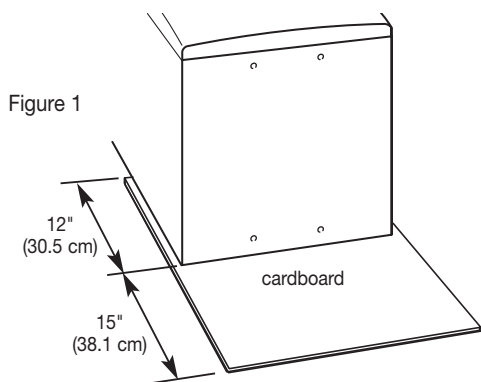
Excessive Weight Hazard

Use two or more people to move and uninstall washer.

Failure to do so can result in back or other injury.

NOTE: If the washer is to be transported, call your local service center. To prevent suspension and structural damage, your machine must be properly set up for relocation by a certified technician.

1. Turn off the hot and cold water faucets.
2. Unplug the power supply cord.
3. Slowly loosen the fill hoses at the faucets to relieve the water pressure. Use a sponge or towel to absorb the released water.
4. Remove the "HOT" and "COLD" fill hoses from the back of the washer. Drain the water from the hoses into a bucket.
5. Squeeze the ears of the drain hose clamp with pliers to open and slide the clamp down the hose. Disconnect the drain hose from the washer and drain any water in the hose into a bucket.
6. Pull the washer away from wall so it can be tipped on its back.
7. Protect the floor with a large piece of cardboard cut from the pedestal carton. Lay the washer on its back (make sure that the power supply cord is not under the washer) so that the cardboard is under the entire lower back edge of the washer.



An additional small amount of water will drain out of the washer when it is tipped back. Go to "Installing the Pedestal" section.

Uninstalling your electric dryer

⚠ WARNING

Excessive Weight Hazard

Use two or more people to move and uninstall dryer.

Failure to do so can result in back or other injury.

1. Unplug the power supply cord.
2. Pull the dryer away from the wall enough to loosen the vent clamp. Loosen the clamp and gently remove the exhaust vent from the dryer exhaust outlet.
3. Pull the dryer away from wall so that it can be tipped on its back.
4. Protect the floor with a large piece of cardboard cut from the pedestal carton. Lay the dryer on its back (make sure that the power supply cord is not under the dryer) so that the cardboard is under the entire lower back edge of the dryer (see Figure 1). Go to "Installing the Pedestal" section.

Uninstalling your gas dryer

⚠ WARNING

Excessive Weight Hazard

Use two or more people to move and uninstall dryer.

Failure to do so can result in back or other injury.

1. Unplug the power supply cord.
2. Turn off the gas supply.
3. Pull the dryer away from the wall enough to loosen the vent clamp. Loosen the clamp and gently remove the exhaust vent from the dryer exhaust outlet.
4. Disconnect the flexible gas supply line from the dryer. Put a piece of tape over the open ends of the gas line connection fittings.
5. Pull the dryer away from wall so that it can be tipped on its back.
6. Protect the floor with a large piece of cardboard cut from the pedestal carton. Lay the dryer on its back (make sure that the power supply cord is not under the dryer) so that the cardboard is under the entire lower back edge of the dryer (see Figure 1). Go to "Installing the Pedestal" section.

If your washer or dryer is still in its packaging

⚠️ WARNING

Excessive Weight Hazard

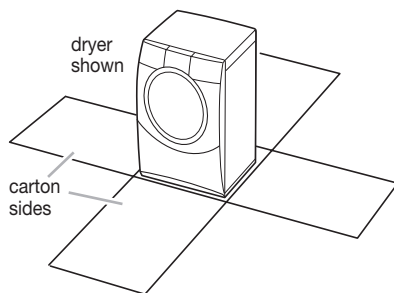
**Use two or more people to move washer or dryer.
Failure to do so can result in back or other injury.**

1. Position the packaged washer/dryer close to its final position. Cut the packaging as follows:

Washer: Cut plastic film along dotted cut line around the base. Do not remove the packaging.

Dryer: Cut carton around top and down corners along dotted cut lines. Lay all four carton sides on floor. Discard carton top and corner posts.

IMPORTANT: Leave carton bottom underneath dryer.



2. Lay washer/dryer on its back.

NOTE: When laying the washer on its back, hold the bottom cap down on the floor. Do not remove the plastic film, corner posts or top cap. These protect the floor and washer back.

When laying the dryer on its back, the floor and dryer back are protected by cartoning.

Installing the Pedestal

Follow these instructions to install the pedestal on a washer or dryer.

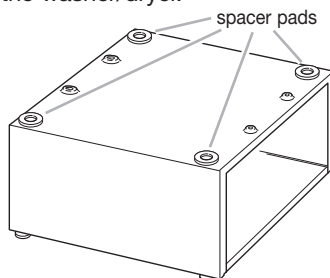
⚠️ WARNING

Excessive Weight Hazard

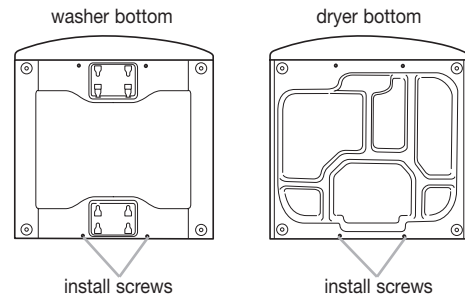
**Use two or more people to move and install pedestal.
Failure to do so can result in back or other injury.**

The parts bag contains four #12 x 5/8" hex head sheet metal screws used in step 3, and the Installation Instructions.

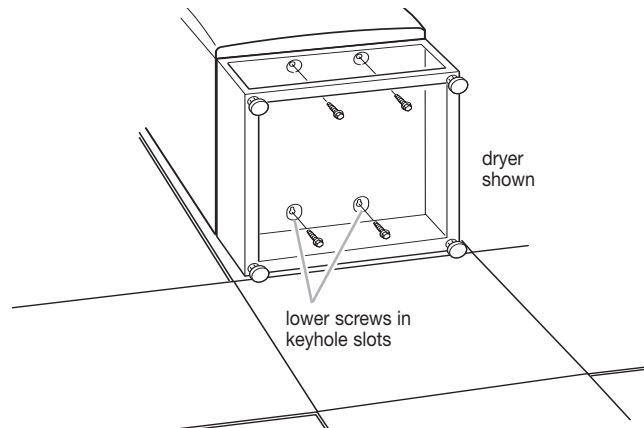
1. Make sure that all four spacer pads are in place on the top of the pedestal. These pads reduce vibration between the pedestal and the washer/dryer.



2. If your washer/dryer has feet installed, remove them. Do not install the feet that came with a new washer/dryer.
3. Partially install the two #12 x 5/8" hex head sheet metal screws in the lower holes. Leave a space of about 3/8" (1 cm) between the screw head and the bottom of the washer/dryer.



4. Move the pedestal against the washer/dryer bottom. Slide the pedestal's keyhole slots over the lower two partially installed screws.
5. Position the pedestal toward the front of the washer/dryer and install the two remaining hex head sheet metal screws. Do not tighten completely.
6. Align the sides of the pedestal so that they are even with the sides of the washer/dryer. Reach inside pedestal opening and securely tighten all four pedestal screws.



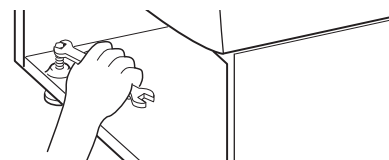
7. Tip the washer/dryer back to its upright position. Remove and discard packaging including the washer's plastic film, corner posts and top cap.

Complete installation

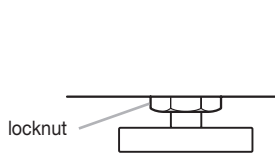
1. Slide the washer/dryer close to its final location.
2. Follow the installation instructions that came with your model to finish installing or reinstalling your washer/dryer (i.e., hoses, vents, etc.).
3. Level the washer/dryer from side to side and front to back.

NOTE: Make sure all four pedestal feet are in solid contact with the floor.

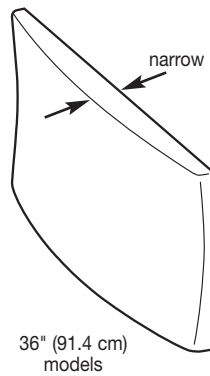
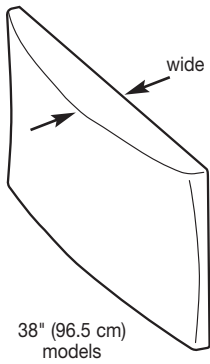
Place a level on the top. Locate the 1/4" hex head screws on the top of each pedestal foot. Reach inside the pedestal and use a 1/4" hex head ratchet or open-end wrench to adjust the feet up or down as needed to level the washer/dryer.



4. When the washer/dryer is level, use a $\frac{9}{16}$ " open-end wrench to securely tighten all four locknuts against the pedestal. The locknuts must be tightened to prevent vibration.



5. Align front panel with pedestal and snap in place.
For washer/dryer models that are 38" (96.5 cm) high, the wide edge should be placed on top.
For washer/dryer models that are 36" (91.4 cm) high, the wide edge should be placed on bottom.



LAUNDRY PRODUCT WARRANTY

Before you call for Service

If this laundry product was purchased at Sears, the Kenmore® Laundry Product Warranty” applies (see following).

If this laundry product was purchased elsewhere, the “Whirlpool Corporation Laundry Product Warranty” applies (see following). Please have your sales receipt available when you call Whirlpool Corporation for service under the “Whirlpool Corporation Laundry Product Warranty.”

KENMORE® LAUNDRY PRODUCT WARRANTY

ONE YEAR LIMITED WARRANTY

When installed, operated and maintained according to all instructions supplied with the product, if this laundry product fails due to a defect in material or workmanship within one year from the date of purchase, call 1-800-4-MY-HOME to arrange for free repair. If this laundry product is used for other than private family purposes, this warranty applies for only 90 days from the date of purchase.

THIS WARRANTY COVERS ONLY DEFECTS IN MATERIAL AND WORKMANSHIP. SEARS WILL NOT PAY FOR:

1. Expendable items that can wear out from normal use, including but not limited to filters, belts, light bulbs, and bags.
2. A service technician to instruct the user in correct product installation, operation or maintenance.
3. A service technician to clean or maintain this product.
4. Damage to or failure of this product if it is not installed, operated or maintained according to all instructions supplied with the product.
5. Damage to or failure of this product resulting from accident, abuse, misuse or use for other than its intended purpose.
6. Damage to or failure of this product caused by the use of detergents, cleaners, chemicals or utensils other than those recommended in all instructions supplied with the product.
7. Damage to or failure of parts or systems resulting from unauthorized modifications made to this product.

DISCLAIMER OF IMPLIED WARRANTIES; LIMITATION OF REMEDIES

Customer's sole and exclusive remedy under this limited warranty shall be product repair as provided herein. Implied warranties, including warranties of merchantability or fitness for a particular purpose, are limited to one year or the shortest period allowed by law. Sears shall not be liable for incidental or consequential damages. Some states and provinces do not allow the exclusion or limitation of incidental or consequential damages, or limitations on the duration of implied warranties of merchantability or fitness, so these exclusions or limitations may not apply to you.

This warranty applies only while this laundry product is used in the United States and Canada.

This warranty gives you specific legal rights, and you may also have other rights which vary from state to state.

**Sears, Roebuck and Co.
Hoffman Estates, IL 60179**

**Sears Canada Inc.
Toronto, Ontario, Canada M5B 2B8**

PRODUCT RECORD

In the space below, record your complete model number, serial number, and purchase date. You can find this information on the model and serial number label located on the product.

Have this information available to help you obtain assistance or service more quickly whenever you contact Sears concerning your laundry product.

Model number _____

Serial number _____

Purchase date _____

Save these instructions and your sales receipt for future reference.

WHIRLPOOL CORPORATION LAUNDRY PRODUCT WARRANTY

ONE YEAR LIMITED WARRANTY

For one year from the date of purchase, when this product is operated and maintained according to instructions attached to or furnished with the product, Whirlpool or Whirlpool Canada (hereafter "Whirlpool") will pay for factory specified replacement parts and repair labor to correct defects in materials or workmanship. Service must be provided by a Whirlpool designated service company.

ITEMS WHIRLPOOL WILL NOT PAY FOR

1. Service calls to correct the installation of your product, to instruct you how to use your product, to replace or repair house fuses or to correct house wiring or plumbing.
 2. Repairs when your product is used for other than normal, single-family household use.
 3. Damage resulting from accident, alteration, misuse, abuse, fire, flood, acts of God, improper installation, installation not in accordance with electrical or plumbing codes, or use of products not approved by Whirlpool.
 4. Replacement parts or repair labor costs for units operated outside the United States or Canada.
 5. Pickup and delivery. This product is designed to be repaired in the home.
 6. Repairs to parts or systems resulting from unauthorized modifications made to the product.
 7. Expenses for travel and transportation for product service in remote locations.
 8. The removal and reinstallation of your product if it is installed in an inaccessible location or is not installed in accordance with published installation instructions.
-

DISCLAIMER OF IMPLIED WARRANTIES; LIMITATION OF REMEDIES

CUSTOMER'S SOLE AND EXCLUSIVE REMEDY UNDER THIS LIMITED WARRANTY SHALL BE PRODUCT REPAIR AS PROVIDED HEREIN. IMPLIED WARRANTIES, INCLUDING WARRANTIES OF MERCHANTABILITY OR FITNESS FOR A PARTICULAR PURPOSE, ARE LIMITED TO ONE YEAR OR THE SHORTEST PERIOD ALLOWED BY LAW. WHIRLPOOL SHALL NOT BE LIABLE FOR INCIDENTAL OR CONSEQUENTIAL DAMAGES. SOME STATES AND PROVINCES DO NOT ALLOW THE EXCLUSION OR LIMITATION OF INCIDENTAL OR CONSEQUENTIAL DAMAGES, OR LIMITATIONS ON THE DURATION OF IMPLIED WARRANTIES OF MERCHANTABILITY OR FITNESS, SO THESE EXCLUSIONS OR LIMITATIONS MAY NOT APPLY TO YOU. THIS WARRANTY GIVES YOU SPECIFIC LEGAL RIGHTS AND YOU MAY ALSO HAVE OTHER RIGHTS, WHICH VARY FROM STATE TO STATE OR PROVINCE TO PROVINCE.

Outside the 50 United States and Canada, this warranty does not apply. Contact your authorized Whirlpool dealer to determine if another warranty applies. If you need service, in the U.S.A., call **1-800-422-1230**. In Canada, call **1-800-807-6777**.

6/06

Keep this book and your sales slip together for future reference. You must provide proof of purchase or installation date for in-warranty service.

Write down the following information about your major product to better help you obtain assistance or service if you ever need it. You will need to know your complete model number and serial number. You can find this information on the model and serial number label located on the product.

Dealer name _____
Address _____
Phone number _____
Model number _____
Serial number _____
Purchase date _____

SEGURIDAD DEL PEDESTAL

Su seguridad y la seguridad de los demás es muy importante.

Hemos incluido muchos mensajes importantes de seguridad en este manual y en su electrodoméstico. Lea y obedezca siempre todos los mensajes de seguridad.



Este es el símbolo de advertencia de seguridad.

Este símbolo le llama la atención sobre peligros potenciales que pueden ocasionar la muerte o una lesión a usted y a los demás.

Todos los mensajes de seguridad irán a continuación del símbolo de advertencia de seguridad y de la palabra "PELIGRO" o "ADVERTENCIA". Estas palabras significan:

⚠ PELIGRO

Si no sigue las instrucciones de inmediato, usted puede morir o sufrir una lesión grave.

⚠ ADVERTENCIA

Si no sigue las instrucciones, usted puede morir o sufrir una lesión grave.

Todos los mensajes de seguridad le dirán el peligro potencial, le dirán cómo reducir las posibilidades de sufrir una lesión y lo que puede suceder si no se siguen las instrucciones.

⚠ ADVERTENCIA



Peligro de Explosión

Mantenga los materiales y vapores inflamables, como la gasolina, lejos de la secadora.

Coloque la secadora a un mínimo de 46 cm sobre el piso para la instalación en un garaje.

No seguir estas instrucciones puede ocasionar la muerte, explosión o incendio.

NOTA: Si el conjunto de la secadora y del pedestal se ubica en un garaje, debe añadir 8" (20,3 cm) debajo del pedestal para que la secadora quede a 18" (46 cm) encima del piso.

Piezas y herramientas

Reúna las herramientas y piezas necesarias antes de comenzar la instalación.

Herramientas necesarias

- cuchillo para todo uso
- llave de tuercas de 1/4" de cabeza hexagonal con trinquete o llave de extremo abierto
- nivel
- llave de tuercas de 9/16" de extremo abierto
- pinzas o pinzas de junta movediza
- balde

Piezas suministradas

- cuatro tornillos para lámina metálica de cabeza hexagonal #12 x 5/8" (en la bolsa de piezas)
- Instrucciones de instalación

INSTRUCCIONES DE INSTALACIÓN

Antes de instalar el pedestal

IMPORTANTE: Si su lavadora y secadora ya están instaladas, deben ser desinstaladas.

Si necesita desinstalar su lavadora o secadora, vea las herramientas necesarias en las instrucciones de instalación que vinieron con su modelo.

Cómo desinstalar su lavadora

⚠ ADVERTENCIA

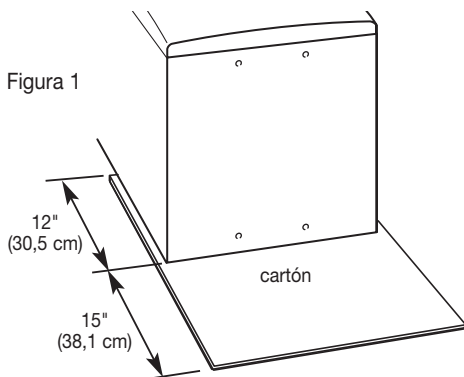
Peligro de Peso Excesivo

Use dos o más personas para mover y desinstalar la lavadora.

No seguir esta instrucción puede ocasionar una lesión en la espalda u otro tipo de lesiones.

NOTA: Llame a su centro de servicio más cercano si la lavadora se va a transportar. Para prevenir daños estructurales y de suspensión, su máquina debe estar debidamente preparada para ser nuevamente ubicada por un técnico certificado.

1. Cierre las llaves de agua caliente y fría.
2. Desenchufe el cordón de alimentación eléctrica.
3. Afloje lentamente las mangueras de llenado en las llaves para aliviar la presión del agua. Use una esponja o una toalla para absorber el agua derramada.
4. Retire las mangueras de llenado "HOT" (Caliente) y "COLD" (Fría) de la parte posterior de la lavadora. Drene el agua de las mangueras en un balde.
5. Con unas pinzas apriete las aletas de la abrazadera de la manguera de desagüe para abrirla y luego deslícela hacia abajo de la manguera. Desconecte la manguera de desagüe de la lavadora y drene el agua que pueda tener en un balde.
6. Retire la lavadora de la pared para poder inclinarla sobre su respaldo.
7. Proteja el piso con un pedazo grande de cartón recortado de la caja del pedestal. Coloque la lavadora sobre su respaldo (asegúrese que el cordón de alimentación eléctrica no está debajo de la lavadora) de manera que el cartón esté totalmente debajo del borde inferior del respaldo de la lavadora.



Al inclinar la lavadora hacia atrás se va a derramar un poco más de agua. Pase a la sección "Instalación del pedestal".

Cómo desinstalar su secadora eléctrica

⚠ ADVERTENCIA

Peligro de Peso Excesivo

Use dos o más personas para mover y desinstalar la secadora.

No seguir esta instrucción puede ocasionar una lesión en la espalda u otro tipo de lesiones.

1. Desenchufe el cordón de alimentación eléctrica.
2. Retire la secadora de la pared lo necesario para aflojar la abrazadera de ventilación. Afloje la abrazadera y quite suavemente el ducto de escape de la salida de aire de la secadora.
3. Retire la secadora de la pared para poder inclinarla sobre su respaldo.
4. Proteja el piso con un pedazo grande de cartón recortado de la caja del pedestal. Coloque la secadora sobre su respaldo (asegúrese que el cordón de alimentación eléctrica no está debajo de la secadora) de manera que el cartón esté totalmente debajo del borde inferior del respaldo de la secadora (vea la Figura 1). Pase a la sección "Instalación del pedestal".

Cómo desinstalar su secadora a gas

⚠ ADVERTENCIA

Peligro de Peso Excesivo

Use dos o más personas para mover y desinstalar la secadora.

No seguir esta instrucción puede ocasionar una lesión en la espalda u otro tipo de lesiones.

1. Desenchufe el cordón de alimentación eléctrica.
2. Corte el suministro de gas.
3. Retire la secadora de la pared lo necesario para aflojar la abrazadera de ventilación. Afloje la abrazadera y quite suavemente el ducto de escape de la salida de aire de la secadora.
4. Desconecte el suministro flexible de gas de la secadora. Coloque un pedazo de cinta adhesiva sobre los extremos de las conexiones de la tubería de gas.
5. Retire la secadora de la pared para poder inclinarla sobre su respaldo.
6. Proteja el piso con un pedazo grande de cartón recortado de la caja del pedestal. Coloque la secadora sobre su respaldo (asegúrese que el cordón de alimentación eléctrica no está debajo de la secadora) de manera que el cartón esté totalmente debajo del borde inferior del respaldo de la secadora (vea la Figura 1). Pase a la sección "Instalación del pedestal".

Si su lavadora o secadora está aún en su empaque

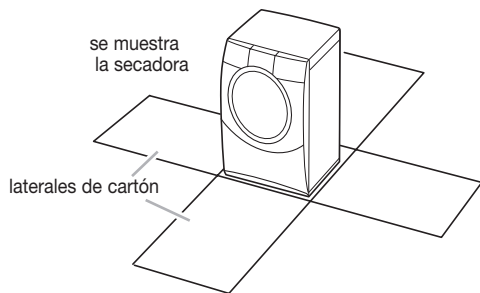
⚠️ ADVERTENCIA

Peligro de Peso Excesivo

Use dos o más personas para mover la lavadora o la secadora.

No seguir esta instrucción puede ocasionar una lesión en la espalda u otro tipo de lesiones.

1. Coloque la lavadora/secadora con su embalaje cerca de su posición final. Corte el embalaje de la siguiente manera:
Lavadora: Corte la película de plástico a lo largo de la línea de corte punteada alrededor de la base. No quite el embalaje.
Secadora: Corte el cartón alrededor de la parte superior y de las esquinas hacia abajo a lo largo de las líneas de corte punteadas. Ponga los cuatro laterales de cartón en el suelo. Descarte la parte superior y los postes de cartón esquineros.
IMPORTANTE: Deje el piso de cartón debajo de la secadora.



2. Coloque la lavadora/secadora en el piso sobre su respaldo.
NOTA: Cuando coloque la lavadora sobre su respaldo, mantenga la cubierta inferior abajo, en el piso. No quite la película de plástico, los postes esquineros o la cubierta superior. Éstos protegen el piso y el respaldo de la lavadora. Cuando coloque la secadora sobre su respaldo, el piso y el respaldo de la misma estarán protegidos por el cartón.

Instalación del pedestal

Siga estas instrucciones para instalar el pedestal a una lavadora o secadora.

⚠️ ADVERTENCIA

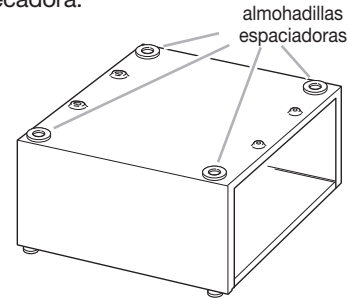
Peligro de Peso Excesivo

Use dos o más personas para mover e instalar el pedestal.

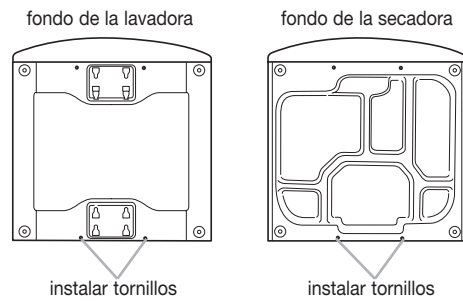
No seguir esta instrucción puede ocasionar una lesión en la espalda u otro tipo de lesiones.

La bolsa de piezas contiene cuatro tornillos para lámina metálica de cabeza hexagonal #12 x 5/8" que se usan en el paso 3 y en las Instrucciones de instalación.

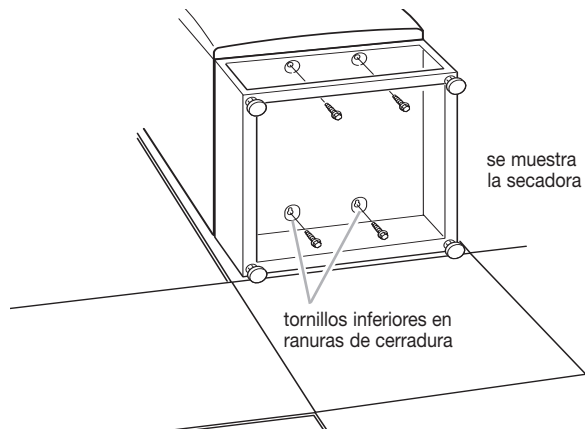
1. Asegúrese de que las cuatro almohadillas espaciadoras estén en su lugar en la parte superior del pedestal. Estas almohadillas reducen la vibración entre el pedestal y la lavadora/secadora.



2. Si su lavadora/secadora tiene las patas instaladas, retírelas. No instale las patas que vinieron con la nueva lavadora/secadora.
3. Instale parcialmente los 2 tornillos para lámina metálica de cabeza hexagonal #12 x 5/8" en los orificios inferiores. Deje un espacio de aproximadamente 3/8" (1 cm) entre la cabeza del tornillo y la parte inferior de la lavadora/secadora.



4. Mueva el pedestal acercándolo al fondo de la lavadora/secadora. Deslice las ranuras alargadas del pedestal sobre los dos tornillos parcialmente instalados.
5. Coloque el pedestal hacia el frente de la lavadora/secadora e instale los dos tornillos para lámina metálica de cabeza hexagonal restantes. No los apriete completamente.
6. Alinee los costados del pedestal de manera que estén al ras con los costados de la lavadora/secadora. A través de la abertura del pedestal, apriete firmemente todos los tornillos del pedestal.



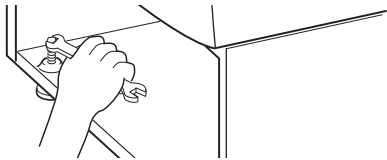
7. Incorpore la lavadora/secadora nuevamente a la posición vertical. Quite y descarte los materiales de embalaje incluyendo la película de plástico de la lavadora, los postes esquineros y la cubierta superior.

Complete la instalación

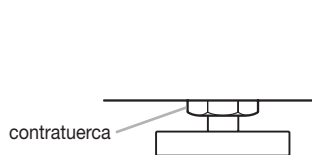
1. Deslice la lavadora/secadora cerca de su posición final.
2. Siga las instrucciones de instalación que vinieron con su modelo para terminar la instalación o reinstalación de su lavadora/secadora (es decir, mangueras, salidas de ventilación, etc.).
3. Nivele la lavadora/secadora de lado a lado y de adelante a atrás.

NOTE: Asegúrese que las cuatro patas del pedestal hagan contacto con el piso sólidamente.

Coloque un nivel en la parte superior. Ubique los tornillos hexagonales de $\frac{1}{4}$ " encima de cada pata del pedestal. Por dentro del pedestal y usando una llave de tuercas de cabeza hexagonal de trinquete de $\frac{1}{4}$ " o una llave de extremo abierto, ajuste las patas hacia arriba o hacia abajo según se necesite para nivelar la lavadora/secadora.

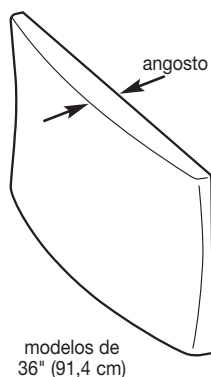
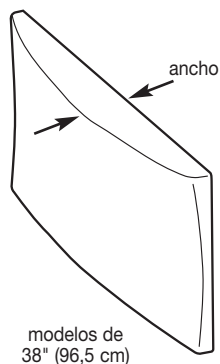


4. Cuando la lavadora/secadora esté nivelada, use una llave de tuercas de $\frac{9}{16}$ " de extremo abierto para apretar firmemente las contratuercas de las cuatro patas contra el pedestal. Las contratuercas deben ser apretadas para evitar vibraciones.
5. Alinee el panel delantero con el pedestal y encájelo a presión en su lugar.



Para los modelos de lavadora/secadora cuya altura sea de 38" (96,5 cm), el extremo ancho deberá colocarse en la parte superior.

Para los modelos de lavadora/secadora cuya altura sea de 36" (91,4 cm), el extremo ancho deberá colocarse en la parte inferior.



GARANTÍA DE LOS PRODUCTOS DE LAVANDERÍA

Antes de solicitar servicio técnico

Si este producto de lavandería fue adquirido en Sears, se aplicará la “Garantía de los productos de lavandería Kenmore®” (vea a continuación).

Si este producto de lavandería fue adquirido en otro lugar, se aplicará la “Garantía de los productos de lavandería Whirlpool” (vea a continuación). Sírvase tener a mano su recibo de compra cuando llame a Whirlpool Corporation para solicitar servicio bajo la “Garantía de los productos de lavandería de Whirlpool Corporation”.

GARANTÍA DE LOS PRODUCTOS DE LAVANDERÍA KENMORE®

GARANTÍA LIMITADA DE UN AÑO

Cuando este electrodoméstico haya sido instalado, operado y mantenido según las instrucciones provistas con el producto, si este producto de lavandería falla por defectos de material o de mano de obra dentro de un año a partir de la fecha de compra, llame al 1-800-4-MY-HOME para gestionar la reparación libre de cargo. Si este producto de lavandería es empleado para algún otro uso que no sea el doméstico familiar, esta garantía sólo tiene vigencia por 90 días a partir de la fecha de compra.

ESTA GARANTÍA CUBRE SOLAMENTE LOS DEFECTOS DE MATERIAL Y MANO DE OBRA. SEARS NO PAGARÁ POR:

1. Los artículos no reutilizables que pueden gastarse por el uso normal, incluyendo, pero sin limitación, filtros, correas, focos y bolsas.
2. Un técnico de servicio para enseñarle al usuario cómo instalar, operar o mantener el producto adecuadamente.
3. Un técnico de servicio para limpiar o mantener este producto.
4. Daños a este producto o fallas del mismo en caso de no ser instalado, operado o mantenido conforme a todas las instrucciones provistas con el producto.
5. Daños a este producto o fallas del mismo como resultado de accidente, abuso, uso indebido o un uso diferente de aquel para el cual fue creado.
6. Daños a este producto o fallas del mismo causados por el uso de detergentes, limpiadores, productos químicos o utensilios diferentes de los recomendados en todas las instrucciones provistas con el producto.
7. Daños a piezas o sistemas o fallas de los mismos como resultado de modificaciones no autorizadas que se hayan efectuado en este producto.

EXCLUSIÓN DE GARANTÍAS IMPLÍCITAS; LIMITACIÓN DE RECURSOS

El único y exclusivo recurso del cliente según los términos de esta garantía limitada será el de reparar el producto según se estipula en la presente. Las garantías implícitas, incluyendo las garantías de comerciabilidad o de capacidad para un propósito particular, serán limitadas a un año o al período más corto permitido por ley. Sears no se hará responsable por daños incidentales o consecuentes. Algunos estados y provincias no permiten la exclusión o limitación de daños incidentales o consecuentes, o limitaciones acerca de cuánto debe durar una garantía implícita de comerciabilidad o capacidad, de modo que las limitaciones o exclusiones arriba mencionadas pueden no aplicarse en su caso.

Esta garantía se aplica sólo mientras este producto de lavandería se usa en los Estados Unidos y Canadá.

Esta garantía le otorga derechos legales específicos, y es posible que usted tenga también otros derechos, los cuales varían de un estado a otro.

**Sears, Roebuck and Co.
Hoffman Estates, IL 60179**

**Sears Canada Inc.
Toronto, Ontario, Canada M5B 2B8**

REGISTRO DEL PRODUCTO

En el espacio a continuación, anote el número completo de modelo y serie así como la fecha de compra. Usted puede encontrar esta información en la etiqueta con el número de modelo y de serie ubicada en el producto.

Tenga esta información disponible para facilitarle la obtención de asistencia o servicio con prontitud siempre que llame a Sears con respecto a su producto de lavandería.

Número de modelo _____

Número de serie _____

Fecha de compra _____

Guarde estas instrucciones y su comprobante de compra para referencia futura.

GARANTÍA DE LOS PRODUCTOS DE LAVANDERÍA DE WHIRLPOOL CORPORATION

GARANTÍA LIMITADA DE UN AÑO

Durante un año a partir de la fecha de compra, siempre y cuando se dé a este producto un uso y mantenimiento de conformidad con las instrucciones adjuntas o provistas con el producto, Whirlpool o Whirlpool Canada (en lo sucesivo denominado "Whirlpool") se hará cargo del costo de las piezas de repuesto especificadas de fábrica y del trabajo de reparación para corregir defectos en los materiales o en la mano de obra. El servicio deberá ser suministrado por una compañía de servicio designada por Whirlpool.

WHIRLPOOL NO PAGARÁ POR LOS SIGUIENTES ARTÍCULOS

1. Visitas de servicio técnico para corregir la instalación de su producto, para enseñarle a usar su producto, para cambiar o reparar fusibles domésticos o para corregir la instalación eléctrica o de la tubería de la casa.
2. Reparaciones cuando su producto se use de un modo diferente al doméstico familiar.
3. Daños causados por accidente, alteración, uso indebido, abuso, incendio, inundación, actos fortuitos, instalación incorrecta, instalación que no esté de acuerdo con los códigos eléctricos o de plomería, o el empleo de productos no aprobados por Whirlpool.
4. Piezas de repuesto o gastos de reparación para electrodomésticos que se empleen fuera de los Estados Unidos o Canadá.
5. Recogida y entrega. Este producto está diseñado para ser reparado en el hogar.
6. Reparaciones de piezas o sistemas como resultado de modificaciones no autorizadas que se hayan efectuado en el producto.
7. Gastos de viaje y transporte para obtener servicio del producto en lugares remotos.
8. La remoción e instalación de su producto si estuviera instalado en un lugar inaccesible o si no estuviera instalado de conformidad con las instrucciones de instalación publicadas.

EXCLUSIÓN DE GARANTÍAS IMPLÍCITAS; LIMITACIÓN DE RECURSOS

EL ÚNICO Y EXCLUSIVO RECURSO DEL CLIENTE SEGÚN LOS TÉRMINOS DE ESTA GARANTÍA LIMITADA SERÁ EL DE REPARAR EL PRODUCTO SEGÚN SE ESTIPULA EN LA PRESENTE. LAS GARANTÍAS IMPLÍCITAS, INCLUYENDO LAS GARANTÍAS DE COMERCIABILIDAD O DE CAPACIDAD PARA UN PROPÓSITO PARTICULAR, SERÁN LIMITADAS A UN AÑO O AL PERÍODO MÁS CORTO PERMITIDO POR LEY. WHIRLPOOL NO SE RESPONSABILIZARÁ POR DAÑOS INCIDENTALES O CONSECUENTES. ALGUNOS ESTADOS Y PROVINCIAS NO PERMITEN LAS EXCLUSIONES O LIMITACIONES POR DAÑOS INCIDENTALES O CONSECUENTES, O LIMITACIONES ACERCA DE CUÁNTO DEBE DURAR UNA GARANTÍA IMPLÍCITA DE COMERCIABILIDAD O CAPACIDAD, DE MODO QUE LAS LIMITACIONES O EXCLUSIONES ARRIBA MENCIONADAS PUEDEN NO APLICARSE EN SU CASO. ESTA GARANTÍA LE OTORGA DERECHOS LEGALES ESPECÍFICOS Y ES POSIBLE QUE USTED TENGA TAMBIÉN OTROS DERECHOS QUE PUEDEN VARIAR DE UN ESTADO A OTRO O DE UNA PROVINCIA A OTRA.

Esta garantía no tiene vigor fuera de los cincuenta Estados Unidos y Canadá. Póngase en contacto con el distribuidor autorizado de Whirlpool para determinar si corresponde otra garantía. En los EE.UU., si necesita servicio, llame al **1-800-422-1230**. En Canadá, llame al **1-800-807-6777**.

6/06

Guarde este libro y su comprobante de compra juntos para referencia futura. Usted deberá proporcionar el comprobante de la compra o una fecha de instalación para obtener servicio bajo la garantía.

Escriba la siguiente información acerca de su producto principal para ayudarle mejor a obtener asistencia o servicio técnico si alguna vez llegara a necesitarlo. Deberá tener a mano el número completo del modelo y de la serie. Usted puede encontrar esta información en la etiqueta con el número de modelo y de serie ubicada en el producto.

Nombre del distribuidor _____

Dirección _____

Número de teléfono _____

Número de modelo _____

Número de serie _____

Fecha de compra _____

SÉCURITÉ DU PIÉDESTAL

Votre sécurité et celle des autres est très importante.

Nous donnons de nombreux messages de sécurité importants dans ce manuel et sur votre appareil ménager. Assurez-vous de toujours lire tous les messages de sécurité et de vous y conformer.



Voici le symbole d'alerte de sécurité.

Ce symbole d'alerte de sécurité vous signale les dangers potentiels de décès et de blessures graves à vous et à d'autres.

Tous les messages de sécurité suivront le symbole d'alerte de sécurité et le mot "DANGER" ou "AVERTISSEMENT". Ces mots signifient :

⚠ DANGER

Risque possible de décès ou de blessure grave si vous ne suivez pas immédiatement les instructions.

⚠ AVERTISSEMENT

Risque possible de décès ou de blessure grave si vous ne suivez pas les instructions.

Tous les messages de sécurité vous diront quel est le danger potentiel et vous disent comment réduire le risque de blessure et ce qui peut se produire en cas de non-respect des instructions.

⚠ AVERTISSEMENT



Risque d'explosion

Garder les matières et les vapeurs inflammables, telle que l'essence, loin de la sècheuse.

Placer la sècheuse au moins 46 cm (18 po) au-dessus du plancher pour une installation dans un garage.

Le non-respect de ces instructions peut causer un décès, une explosion ou un incendie.

Outillage et pièces

Rassembler les outils nécessaires avant de commencer l'installation.

Outillage nécessaire

- couteau utilitaire
- clé à cliquet à tête hexagonale de 1/4" ou clé plate correspondante
- niveau
- clé plate 9/16"
- pince ou pince articulée
- seau

Pièces fournies

- quatre vis de tôle n° 12 x 5/8" à tête hexagonale (sachet de pièces)
- instructions d'installation

NOTE : Si l'ensemble de la sècheuse et du piédestal se trouve dans un garage, il faut ajouter 8" (20,3 cm) en dessous du piédestal pour que la sècheuse soit à 18" (46 cm) au-dessus du plancher du garage.

INSTRUCTIONS D'INSTALLATION

Avant l'installation du piédestal

IMPORTANT : Si l'ensemble de laveuse et sècheuse est déjà installé, on doit le désinstaller.

S'il est nécessaire de désinstaller la laveuse ou la sècheuse, consulter les instructions d'installation fournies avec l'appareil, au sujet des outils nécessaires.

Désinstallation de la laveuse

⚠ AVERTISSEMENT

Risque du poids excessif

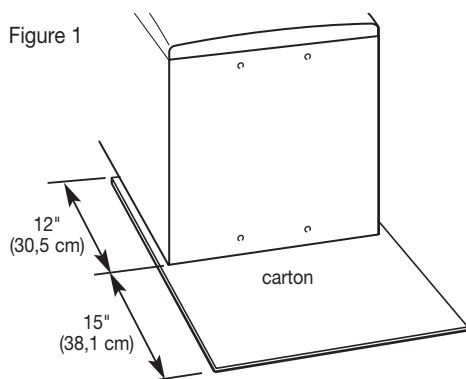
Utiliser deux ou plus de personnes pour déplacer et désinstaller la laveuse.

Le non-respect de cette instruction peut causer une blessure au dos ou d'autre blessure.

NOTE : Si la laveuse doit être transportée, appeler le centre de service local. Afin d'éviter tout endommagement de la suspension et de la structure, votre machine doit d'abord être correctement installée pour être ensuite déplacée par un technicien certifié.

1. Fermer les robinets d'arrivée d'eau chaude et d'eau froide.
2. Débrancher le cordon d'alimentation électrique.
3. Desserrer doucement les raccords des tuyaux d'alimentation sur les robinets pour libérer la pression de l'eau. Utiliser une éponge ou une serviette pour absorber l'eau libérée.
4. Déconnecter les tuyaux d'arrivée d'eau chaude et d'eau froide de l'arrière de la laveuse. Laisser l'eau dans les tuyaux s'écouler dans un seau.
5. Avec une pince, ouvrir la bride du tuyau de vidange pour pouvoir la faire glisser sur le tuyau. Déconnecter le tuyau de vidange de la laveuse et récupérer l'eau qui peut s'écouler dans un seau.
6. Écarter la laveuse du mur pour pouvoir la faire basculer et la faire reposer sur la face arrière.
7. Protéger le plancher avec une grande feuille de carton (provenant de l'emballage du piédestal). Placer la laveuse sur la face arrière, sur la feuille de carton (veiller à ne pas laisser le cordon d'alimentation coincé sous l'appareil). La feuille de carton doit empêcher la totalité du rebord inférieur de la laveuse de toucher le plancher.

Figure 1



Une quantité d'eau supplémentaire peut s'écouler de la laveuse lorsqu'elle est en appui sur la face arrière. Passer à la section "Installation du piédestal".

Désinstallation de la sècheuse électrique

⚠ AVERTISSEMENT

Risque du poids excessif

Utiliser deux ou plus de personnes pour déplacer et désinstaller la sècheuse.

Le non-respect de cette instruction peut causer une blessure au dos ou d'autre blessure.

1. Débrancher le cordon d'alimentation électrique.
2. Écarter la sècheuse du mur suffisamment pour pouvoir desserrer la bride du conduit d'évacuation. Desserrer la bride et retirer doucement le conduit d'évacuation de la bouche de décharge de la sècheuse.
3. Écarter la sècheuse du mur pour pouvoir la faire basculer et la faire reposer sur la face arrière.
4. Protéger le plancher avec une grande feuille de carton (provenant de l'emballage du piédestal). Placer la sècheuse sur la face arrière, sur la feuille de carton (veiller à ne pas laisser le cordon d'alimentation coincé sous l'appareil). La feuille de carton doit empêcher la totalité du rebord inférieur de la sècheuse de toucher le plancher (voir Figure 1). Passer à la section "Installation du piédestal".

Désinstallation de la sècheuse à gaz

⚠ AVERTISSEMENT

Risque du poids excessif

Utiliser deux ou plus de personnes pour déplacer et désinstaller la sècheuse.

Le non-respect de cette instruction peut causer une blessure au dos ou d'autre blessure.

1. Débrancher le cordon d'alimentation électrique.
2. Fermer l'arrivée de gaz.
3. Écarter la sècheuse du mur suffisamment pour pouvoir desserrer la bride du conduit d'évacuation. Desserrer la bride et retirer doucement le conduit d'évacuation de la bouche de décharge de la sècheuse.
4. Déconnecter le conduit flexible de la canalisation de gaz de la sècheuse. Obturer avec du ruban adhésif l'ouverture de chaque raccord de la canalisation de gaz.
5. Écarter la sècheuse du mur pour pouvoir la faire basculer et la faire reposer sur la face arrière.
6. Protéger le plancher avec une grande feuille de carton (provenant de l'emballage du piédestal). Placer la sècheuse sur la face arrière, sur la feuille de carton (veiller à ne pas laisser le cordon d'alimentation coincé sous l'appareil). La feuille de carton doit empêcher la totalité du rebord inférieur de la sècheuse de toucher le plancher (voir Figure 1). Passer à la section "Installation du piédestal".

Si la laveuse ou la sécheuse est encore dans son emballage

AVERTISSEMENT

Risque du poids excessif

Utiliser deux ou plus de personnes pour déplacer la laveuse ou la sécheuse.

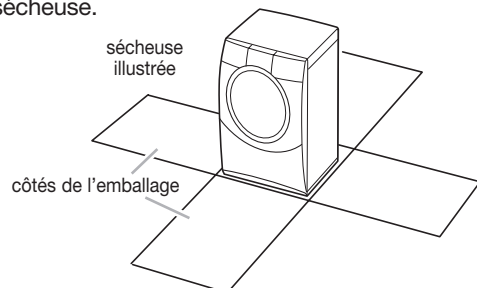
Le non-respect de cette instruction peut causer une blessure au dos ou d'autre blessure.

1. Positionner l'appareil emballé à proximité de l'emplacement d'installation final. Découper l'emballage comme suit.

Laveuse : Couper le film de plastique le long de la ligne pointillée autour de la base. Ne pas enlever l'emballage.

Sécheuse : Découper l'emballage de carton autour du sommet et sur les angles en descendant, le long des lignes de découpage pointillées. Étaler les quatre faces de carton sur le sol. Jeter le sommet de l'emballage de carton et les garnitures d'angle.

IMPORTANT : Laisser le fond de l'emballage de carton sous la sécheuse.



2. Faire basculer l'appareil pour le placer en appui sur la face arrière.

NOTE : Lorsqu'on place la laveuse en appui sur la face arrière, laisser le fond de l'emballage sur le sol. Ne pas enlever les films de plastique, les garnitures d'angle ou la garniture du sommet. Ces articles protègent le sol et la face arrière de la laveuse.

Lorsqu'on place la sécheuse en appui sur la face arrière, le sol et la face arrière de la sécheuse sont protégés par l'emballage de carton.

Installation du piédestal

Pour l'installation du support piédestal en conjonction avec une laveuse ou une sécheuse, appliquer les instructions qui suivent.

AVERTISSEMENT

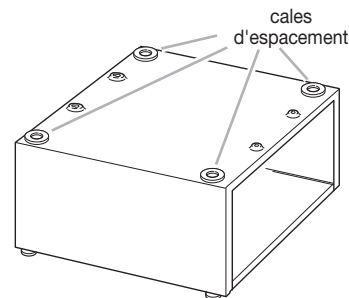
Risque du poids excessif

Utiliser deux ou plus de personnes pour déplacer et installer le piédestal.

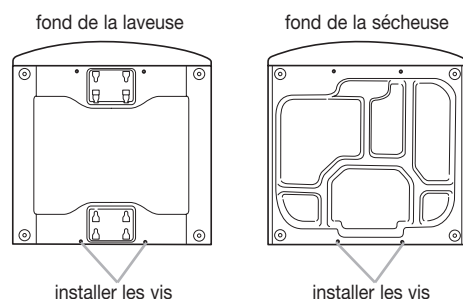
Le non-respect de cette instruction peut causer une blessure au dos ou d'autre blessure.

Le sachet de pièces contient quatre vis de tôle n° 12 x 5/8" à tête hexagonale (utilisation à l'étape 3), et les instructions d'installation.

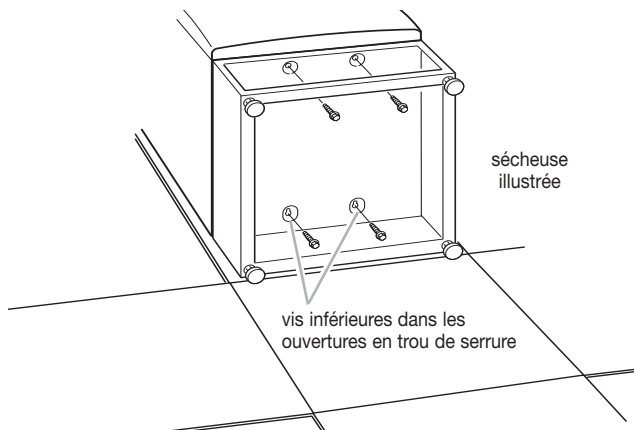
1. Veiller à placer les quatre cales d'espacement au sommet du piédestal. Ces cales réduisent les vibrations entre le piédestal et l'appareil (laveuse ou sécheuse).



2. Si des pieds sont installés sur l'appareil, les enlever. Ne pas installer les pieds livrés avec une laveuse ou une sécheuse neuve.
3. Insérer partiellement les deux vis de tôle inférieures n° 12 x 5/8" et laisser un espace d'environ 3/8" (1 cm) entre la tête de vis et le fond de l'appareil.



4. Placer le piédestal en contact avec le fond de l'appareil. Engager les ouvertures en trou de serrure du piédestal sur les deux vis inférieures partiellement enfoncées.
5. Positionner le piédestal vers l'avant de l'appareil et installer les deux autres vis de tôle hexagonales. Ne pas visser complètement.
6. Aligner les bords du piédestal pour qu'ils soient en affleurement avec les bords de l'appareil. Bien serrer les quatre vis du piédestal (introduire le bras dans l'ouverture de passage du tiroir).



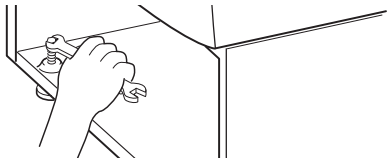
7. Incliner et remettre debout l'ensemble de la laveuse et sécheuse. Enlever la feuille de carton de protection y compris le film de plastique qui enveloppait la laveuse, les garnitures d'angle et la garniture du sommet.

Achever l'installation

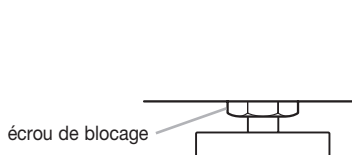
1. Faire glisser l'appareil près de son emplacement final.
2. Exécuter les instructions d'installation fournies avec l'appareil pour terminer l'installation ou la réinstallation de la laveuse ou de la sécheuse (tuyaux d'eau, évènements, etc.).
3. Niveler l'appareil d'un côté à l'autre et de l'avant à l'arrière.

NOTE : Veiller à ce que les quatre pieds du piédestal soient fermement en contact avec le sol.

Placer un niveau au sommet de l'appareil. Identifier la section hexagonale de $\frac{1}{4}$ " au sommet de chaque pied du piédestal. Par l'intérieur du piédestal, visser les pieds vers le haut ou vers le bas avec une clé à cliquet ou une clé plate de $\frac{1}{4}$ " selon le besoin pour établir un bon aplomb de la laveuse ou de la sécheuse.



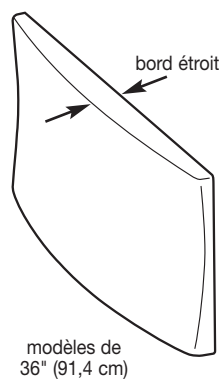
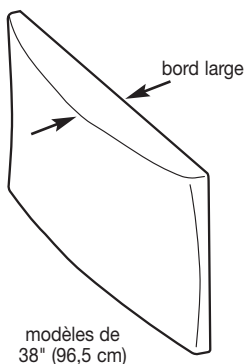
4. Lorsque la laveuse/sécheuse est d'aplomb, utiliser une clé plate de $\frac{9}{16}$ " pour fixer les quatre écrous de blocage contre le piédestal. Les écrous de blocage doivent être serrés pour empêcher les vibrations.



5. Aligner le panneau avant avec le piédestal; réaliser l'emboîtement.

Pour un appareil de hauteur 38" (96,5 cm), le bord large devrait être placé au sommet.

Pour un appareil de hauteur 36" (91,4 cm), le bord large devrait être placé en bas.



GARANTIE DES APPAREILS DE BUANDERIE

Avant de faire un appel de service

Si cet appareil de buanderie a été acheté chez Sears, la “Garantie des appareils de buanderie Kenmore®” s’applique (voir les dispositions qui suivent).

Si cet appareil de buanderie a été acheté ailleurs, la “Garantie des appareils de buanderie Whirlpool Corporation” s’applique (voir les dispositions qui suivent). Veuillez avoir votre reçu de vente à disposition lorsque vous appelez Whirlpool Corporation pour un service dans le cadre de la “Garantie des appareils de buanderie Whirlpool Corporation”.

GARANTIE DES APPAREILS DE BUANDERIE KENMORE®

GARANTIE LIMITÉE DE UN AN

Lorsqu’il est installé, utilisé et entretenu conformément à toutes les instructions fournies avec le produit, si cet appareil de buanderie fait défaut par suite d’un vice de matériau ou de fabrication au cours de l’année qui suit la date d’achat, composer le 1-800-4-MY-HOME pour obtenir une réparation gratuite. Si l’appareil de buanderie fonctionne à toute autre fin que l’utilisation familiale privée, la présente garantie ne s’appliquera que pendant 90 jours à partir de la date d’achat.

LA PRÉSENTE GARANTIE COUVRE UNIQUEMENT LES VICES DE MATÉRIAUX ET DE FABRICATION. SEARS NE PRENDRA PAS EN CHARGE :

1. Les pièces courantes qui peuvent s’user suite à une utilisation normale, notamment les filtres, courroies, ampoules et sacs.
2. L’intervention d’un technicien pour montrer à l’utilisateur comment installer, utiliser et entretenir correctement le produit.
3. L’intervention d’un technicien pour nettoyer ou entretenir ce produit.
4. L’endommagement ou les défauts du produit si celui-ci n’est pas installé, utilisé ou entretenu conformément à toutes les instructions fournies avec le produit.
5. L’endommagement ou les défauts du produit résultant d’accident, usage impropre ou abusif ou utilisation autre que pour laquelle il est destiné.
6. L’endommagement ou les défauts du produit causés par l’utilisation de détergents, agents de nettoyage, produits chimiques ou ustensiles autres que ceux recommandés dans toutes les instructions fournies avec le produit.
7. L’endommagement ou les défauts des pièces ou systèmes résultant d’une modification non autorisée faite au produit.

CLAUSE D'EXONÉRATION DE RESPONSABILITÉ AU TITRE DES GARANTIES IMPLICITES; LIMITATION DES RECOURS

Le seul et exclusif recours du client dans le cadre de la présente garantie limitée consiste en la réparation prévue ci-dessus. Les garanties implicites, y compris les garanties applicables de qualité marchande et d’aptitude à un usage particulier, sont limitées à un an ou à la plus courte période autorisée par la loi. Sears n’assume aucune responsabilité pour les dommages fortuits ou indirects. Certains États ou certaines provinces ne permettent pas l’exclusion ou la limitation des dommages fortuits ou indirects, ou la limitation de la durée des garanties implicites de qualité marchande ou d’aptitude à un usage particulier, de sorte que cette exclusion ou limitation peut ne pas être applicable dans votre cas.

Cette garantie s’applique seulement lorsque cet appareil de buanderie est utilisé aux États-Unis et au Canada.

Cette garantie vous confère des droits juridiques spécifiques et vous pouvez également jouir d’autres droits qui peuvent varier d’un État à l’autre.

**Sears, Roebuck and Co.
Hoffman Estates, IL 60179
Sears Canada Inc.
Toronto, Ontario, Canada M5B 2B8**

ENREGISTREMENT DU PRODUIT

Dans l’espace ci-dessous, inscrire les numéros de modèle et de série complets et la date d’achat. Vous trouverez ces renseignements sur la plaque signalétique située sur le produit.

Gardez ces renseignements à disposition pour obtenir plus rapidement assistance ou service lorsque vous communiquez avec Sears au sujet de votre appareil de buanderie.

Numéro de modèle _____

Numéro de série _____

Date d’achat _____

Conservez ces instructions et votre reçu de vente pour référence ultérieure.

GARANTIE DES APPAREILS DE BUANDERIE WHIRLPOOL CORPORATION

GARANTIE LIMITÉE DE UN AN

Pendant un an à compter de la date d'achat, lorsque ce produit est utilisé et entretenu conformément aux instructions jointes à ou fournies avec le produit, Whirlpool ou Whirlpool Canada (ci-après désignées "Whirlpool") paiera pour les pièces de rechange spécifiées par l'usine et la main-d'œuvre pour corriger les vices de matériaux ou de fabrication. Le service doit être fourni par une compagnie de service désignée par Whirlpool.

WHIRLPOOL NE PRENDRA PAS EN CHARGE

1. Les visites de service pour rectifier l'installation du produit, montrer à l'utilisateur comment utiliser le produit, remplacer ou réparer des fusibles ou rectifier le câblage ou la plomberie du domicile.
 2. Les réparations lorsque le produit est utilisé à des fins autres que l'usage unifamilial normal.
 3. Les dommages imputables à : accident, modification, usage impropre ou abusif, incendie, inondation, actes de Dieu, installation fautive ou installation non conforme aux codes d'électricité ou de plomberie, ou l'utilisation de produits non approuvés par Whirlpool.
 4. Le coût des pièces de rechange et de la main-d'œuvre pour les appareils utilisés hors des États-Unis ou du Canada.
 5. Le ramassage et la livraison. Ce produit est conçu pour être réparé à domicile.
 6. Les réparations aux pièces ou systèmes résultant d'une modification non autorisée faite au produit.
 7. Les frais de voyage et de transport pour le service d'un produit dans les régions éloignées.
 8. La dépose et la réinstallation de votre produit si celui-ci est installé dans un endroit inaccessible ou n'est pas installé conformément aux instructions d'installation fournies.
-

CLAUSE D'EXONÉRATION DE RESPONSABILITÉ AU TITRE DES GARANTIES IMPLICITES; LIMITATION DES RECOURS

LE SEUL ET EXCLUSIF RECOURS DU CLIENT DANS LE CADRE DE LA PRÉSENTE GARANTIE LIMITÉE CONSISTE EN LA RÉPARATION PRÉVUE CI-DESSUS. LES GARANTIES IMPLICITES, Y COMPRIS LES GARANTIES APPLICABLES DE QUALITÉ MARCHANDE ET D'APTITUDE À UN USAGE PARTICULIER, SONT LIMITÉES À UN AN OU À LA PLUS COURTE PÉRIODE AUTORISÉE PAR LA LOI. WHIRLPOOL N'ASSUME AUCUNE RESPONSABILITÉ POUR LES DOMMAGES FORTUITS OU INDIRECTS. CERTAINES JURIDICTIONS NE PERMETTENT PAS L'EXCLUSION OU LA LIMITATION DES DOMMAGES FORTUITS OU INDIRECTS, OU LES LIMITATIONS DE LA DURÉE DES GARANTIES IMPLICITES DE QUALITÉ MARCHANDE OU D'APTITUDE À UN USAGE PARTICULIER, DE SORTE QUE CES EXCLUSIONS OU LIMITATIONS PEUVENT NE PAS S'APPLIQUER DANS VOTRE CAS. CETTE GARANTIE VOUS CONFÈRE DES DROITS JURIDIQUES SPÉCIFIQUES ET VOUS POUVEZ ÉGALEMENT JOUIR D'AUTRES DROITS QUI PEUVENT VARIER D'UNE JURIDICTION À UNE AUTRE.

À l'extérieur du Canada et des 50 États des États-Unis, cette garantie ne s'applique pas. Contacter votre marchand Whirlpool autorisé pour déterminer si une autre garantie s'applique. Pour le service aux États-Unis, composer le **1-800-422-1230**. Au Canada, composer le **1-800-807-6777**.

6/06

Conservez ce manuel et votre reçu de vente pour référence ultérieure. Pour l'entretien sous garantie, vous devez présenter un document prouvant la date d'achat ou d'installation.

Inscrivez les renseignements suivants au sujet de votre produit pour mieux vous aider à obtenir assistance ou réparation en cas de besoin. Vous devrez connaître le numéro de modèle et le numéro de série au complet. Vous trouverez ces renseignements sur la plaque signalétique située sur le produit.

Nom du marchand _____

Adresse _____

Numéro de téléphone _____

Numéro de modèle _____

Numéro de série _____

Date d'achat _____

W10043500

KENMORE, KENMORE ELITE, are trademarks of Sears, Roebuck and Co.
WHIRLPOOL, is a trademark of Whirlpool, U.S.A.
©2006 Whirlpool Corporation. All rights reserved.

KENMORE, KENMORE ELITE, son marcas de comercio de Sears, Roebuck and Co.
WHIRLPOOL, son marcas de comercio de Whirlpool, U.S.A.
©2006 Whirlpool Corporation. Todos los derechos reservados.

KENMORE, KENMORE ELITE, sont des marques de commerce de Sears, Roebuck and Co.
WHIRLPOOL, sont des marques de commerce de Whirlpool, U.S.A.
©2006 Whirlpool Corporation. Tous droits réservés

Printed in U.S.A.
Impreso en EE.UU.
Imprimé aux É-U.
06/2006