



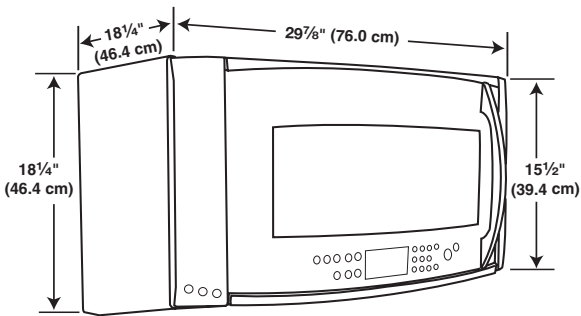
# Microwave Hood Combination

## PRODUCT MODEL NUMBERS

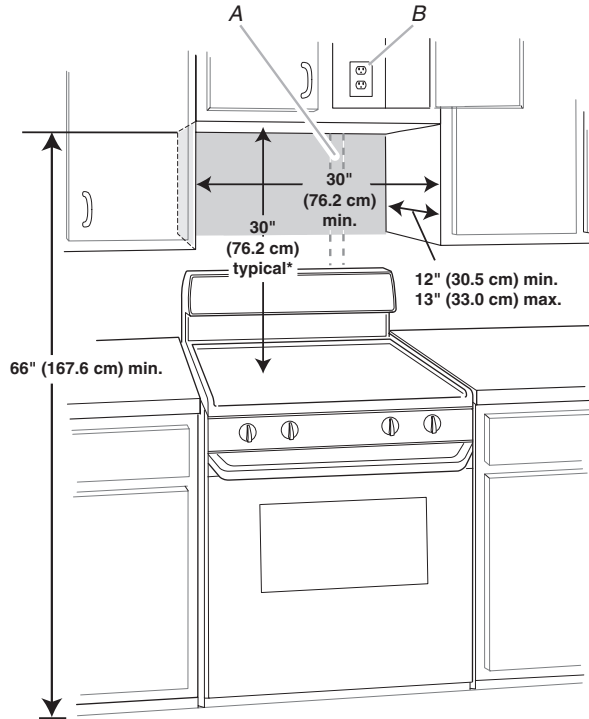
GH6208XR  
GH7208XR

**Electrical:** A 120-volt, 60-Hz, AC-only, 15- or 20-amp electrical supply located in the upper cabinet as close as possible to the microwave oven hood. A time-delay fuse or circuit breaker and separate circuit is recommended.

## OVERALL DIMENSIONS



## CABINET OPENING DIMENSIONS



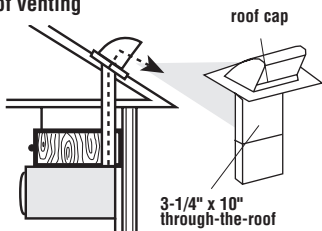
**NOTE:** The grounded 3 prong outlet must be inside the upper cabinet.

\*30" (76.2 cm) is typical for 66" (167.6 cm) installation height. Exact dimension may vary depending on type of range/cooktop below.

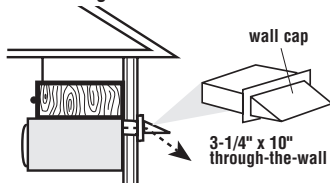
A. 2" x 4" wall stud  
B. Grounded 3 prong outlet

## VENTING REQUIREMENTS

### Roof venting



### Wall venting



### Recommended standard fittings

3-1/4" x 10" to 6" = 5 ft.	3-1/4" x 10" roof cap = 24 ft.	3-1/4" x 10" 90° elbow = 25 ft.	
90° elbow 6" = 10 ft.	3-1/4" x 10" wall cap = 40 ft.	45° elbow 6" = 5 ft.	3-1/4" x 10" 90° flat elbow = 10 ft.

If the existing vent is round, a rectangular-to-round adapter must be used and a rectangular 3" extension vent between the damper assembly and the adapter must be installed to prevent sticking of the exhaust damper.

### For wall or roof venting methods:

If the wall exhaust method is chosen, be sure that there is proper clearance within the wall so the vent fits properly and the damper blade opens fully.

**Wall and roof caps must have back-draft damper.**

### We recommend:

- ✓ using rigid metal vent.
- ✓ that length of vent and number of elbows should be kept to a minimum to provide efficient performance.
- ✓ that size of vent should be uniform.
- ✓ using duct tape to seal all joints in the vent system.
- ✓ using caulking compound to seal exterior wall or roof opening around cap.
- ✓ two elbows should not be installed together.

### We do NOT recommend:

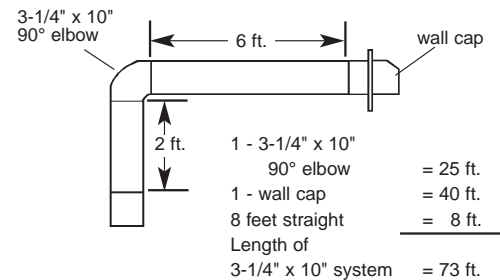
- ✓ flexible metal vent.

**NOTE:** If flexible metal vent must be used, calculate each foot of flexible metal vent as two feet of rigid metal vent. Flexible metal elbows count twice as much as standard elbows.

### Recommended vent length

Use 3-1/4" x 10" or 6" vent. The total length of the vent system including straight vent, elbow, transitions, wall or roof caps must not exceed the equivalent of 140 feet of 3-1/4" x 10" rectangular or 6" diameter round vent. For best performance, use no more than three 90° elbows. To calculate the length of system you need, add the equivalent feet for each vent piece used in the system. See examples below.

### 3-1/4" x 10" vent system



### 6" vent system

