



240-VOLT ELECTRIC DRYER

Use & Care Guide

For assistance, installation or service, call: **1-800-807-6777**
or visit our website at...www.whirlpool.ca

SÉCHEUSE ÉLECTRIQUE 240 VOLTS

Guide d'utilisation et d'entretien

Pour assistance, installation ou service,
composez le **1-800-807-6777**
ou visitez notre site web à
www.whirlpool.ca

Table of Contents/Table des matières 2

TABLE OF CONTENTS

DRYER SAFETY	3
INSTALLATION REQUIREMENTS	4
Tools and Parts	4
Options	4
Location Requirements	4
Electrical Requirements	6
Venting Requirements	6
INSTALLATION INSTRUCTIONS	7
Plan Vent System	7
Install Vent System.....	8
Connect Vent.....	8
Level Dryer	9
Complete Installation	9
DRYER USE	10
Starting Your Dryer.....	10
Stopping and Restarting	10
Changing Cycles and Temperatures	10
Controls	11
Drying, Cycle and Temperature Tips	11
Cycles.....	11
DRYER CARE	12
Cleaning the Dryer Location	12
Cleaning the Lint Screen.....	12
Cleaning the Dryer Interior	13
Cleaning the Control Panel	13
Removing Accumulated Lint.....	13
Vacation and Moving Care.....	13
TROUBLESHOOTING	14
ASSISTANCE OR SERVICE	15
WARRANTY	16

TABLE DES MATIÈRES

SÉCURITÉ DE LA SÈCHEUSE	17
EXIGENCES D'INSTALLATION	18
Outillage et pièces	18
Options	18
Emplacement d'installation	18
Spécifications électriques	20
Exigences concernant l'évacuation	21
INSTRUCTIONS D'INSTALLATION	22
Planification du système d'évacuation	22
Installation du système d'évacuation.....	23
Conduit d'évacuation	23
Mise à niveau de la sècheuse	24
Achever l'installation	24
UTILISATION DE LA SÈCHEUSE	25
Mise en marche de la sècheuse	25
Arrêt et remise en marche	25
Modification des programmes et températures	26
Commandes	26
Conseils pour le séchage, les programmes et la température	26
Programmes	27
ENTRETIEN DE LA SÈCHEUSE	28
Nettoyage de l'emplacement de la sècheuse	28
Nettoyage du filtre à charpie.....	28
Nettoyage de l'intérieur de la sècheuse.....	28
Nettoyage du panneau de commande	28
Comment enlever la charpie accumulée	28
Précautions à prendre pour les vacances et avant un déménagement	29
DÉPANNAGE	29
ASSISTANCE OU SERVICE	31
GARANTIE	32

DRYER SAFETY

Your safety and the safety of others are very important.

We have provided many important safety messages in this manual and on your appliance. Always read and obey all safety messages.



This is the safety alert symbol.

This symbol alerts you to potential hazards that can kill or hurt you and others.

All safety messages will follow the safety alert symbol and either the word “DANGER” or “WARNING.”

These words mean:

⚠ DANGER

You can be killed or seriously injured if you don't immediately follow instructions.

⚠ WARNING

You can be killed or seriously injured if you don't follow instructions.

All safety messages will tell you what the potential hazard is, tell you how to reduce the chance of injury, and tell you what can happen if the instructions are not followed.

IMPORTANT SAFETY INSTRUCTIONS

WARNING: To reduce the risk of fire, electric shock, or injury to persons when using the dryer, follow basic precautions, including the following:

- Read all instructions before using the dryer.
- Do not place items exposed to cooking oils in your dryer. Items contaminated with cooking oils may contribute to a chemical reaction that could cause a load to catch fire.
- Do not dry articles that have been previously cleaned in, washed in, soaked in, or spotted with gasoline, dry-cleaning solvents, or other flammable or explosive substances as they give off vapors that could ignite or explode.
- Do not allow children to play on or in the dryer. Close supervision of children is necessary when the dryer is used near children.
- Before the dryer is removed from service or discarded, remove the door to the drying compartment.
- Do not reach into the dryer if the drum is moving.
- Do not install or store the dryer where it will be exposed to the weather.
- Do not tamper with controls.
- Do not repair or replace any part of the dryer or attempt any servicing unless specifically recommended in this Use and Care Guide or in published user-repair instructions that you understand and have the skills to carry out.
- Do not use fabric softeners or products to eliminate static unless recommended by the manufacturer of the fabric softener or product.
- Do not use heat to dry articles containing foam rubber or similarly textured rubber-like materials.
- Clean lint screen before or after each load.
- Keep area around the exhaust opening and adjacent surrounding areas free from the accumulation of lint, dust, and dirt.
- The interior of the dryer and exhaust vent should be cleaned periodically by qualified service personnel.
- See installation instructions for grounding requirements.

SAVE THESE INSTRUCTIONS

INSTALLATION REQUIREMENTS

Tools and Parts

Tools needed

Gather the required tools and parts before starting installation. Read and follow the instructions provided with any tools listed here.

- Flat-blade screwdriver
- Adjustable wrench
- T20 TORX[†] screwdriver
- Caulking gun and compound (for installing new exhaust vent)
- Tin snips (new vent installations)
- Wood block
- Level
- Vent clamps

Parts supplied

Remove parts package from the dryer drum. Check that all parts listed are included.



Coupling

Parts needed

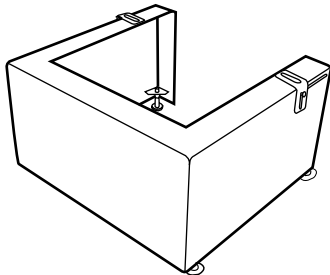
Check local codes, existing electrical supply and venting, and see “Venting Requirements” and “Electrical Requirements” before purchasing parts.

Mobile home installations require metal exhaust system hardware. For ordering information, please refer to the “Assistance or Service” section of this manual. You may also contact the dealer from whom you purchased your dryer.

Options

Pedestal

You may order a pedestal separately for this dryer. This pedestal will add about 12" (30.48 cm) to the height of your unit for a total height of approximately 45" (114.3 cm).



Optional pedestal

To order, call the dealer from whom you purchased your dryer or refer to the “Assistance or Service” section of this manual. Ask for Model Number LAB0050PQ.

Stack Kit

Are you planning to stack your washer and dryer? To do so, you will need to purchase a Stack Kit.

To order, call the dealer from whom you purchased your dryer or refer to the “Assistance or Service” section of this manual. Ask for Part Number 8182452.

Location Requirements

⚠ WARNING



Explosion Hazard

Keep flammable materials and vapors, such as gasoline, away from dryer.

Place dryer at least 18 inches (46 cm) above the floor for a garage installation.

Failure to do so can result in death, explosion, or fire.

You will need

- A location that allows for proper exhaust installation. See “Venting Requirements.”
- A separate 30-amp circuit.
- A grounded electrical outlet located within 2 ft (61 cm) of either side of the dryer. See “Electrical Requirements.”
- A sturdy floor to support the dryer weight (dryer and load) of 115 lbs (52 kg). The combined weight of a companion appliance should also be considered.
- A level floor with a maximum slope of 1" (2.5 cm) under entire dryer.

Do not operate your dryer at temperatures below 45°F (7°C). At lower temperatures, the dryer might not shut off at the end of an automatic cycle. Drying times can be extended.

The dryer must not be installed or stored in an area where it will be exposed to water and/or weather.

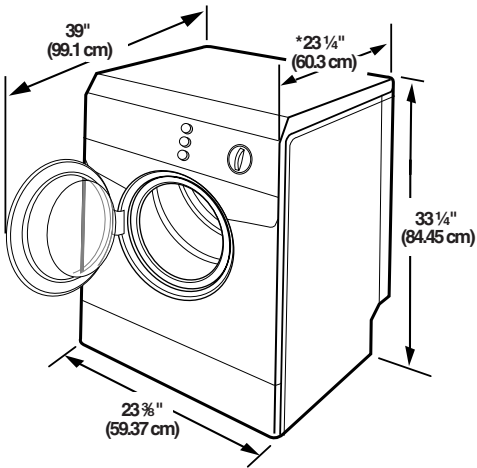
Check code requirements. Some codes limit, or do not permit, installation of the dryer in garages, closets, mobile homes or sleeping quarters. Contact your local building inspector.

[†]TORX is a registered trademark of Textron Innovations Inc.

Installation Clearances

The location must be large enough to allow the dryer door to open fully.

Dryer Dimensions



*Most installations require a minimum 5 1/2" (14.0 cm) clearance behind the dryer for the exhaust vent with elbows. See "Venting Requirements."

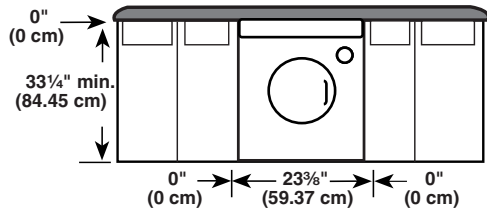
Installation spacing for recessed area and closet installations

The following spacing dimensions shown are recommended when the dryer is to be operated with, or without, the Stack Kit. This dryer has been tested for installation with spacing of 0" (0 cm) clearance; however, spacing of 1" (2.5 cm) clearance is recommended. Recommended spacing should be considered for the following reasons:

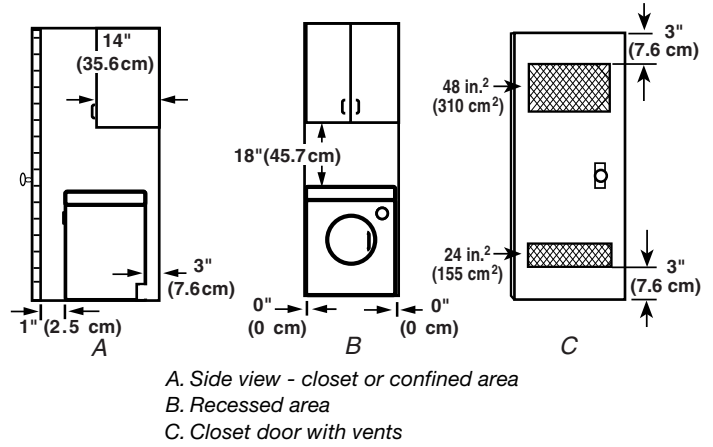
- Additional spacing should be considered for ease of installation and servicing.
- Additional spacing should be considered on all sides of the dryer to reduce noise transfer.
- For closet installation with a door, minimum ventilation openings in the top and bottom of the door are required. Louvered doors with equivalent ventilation opening are acceptable.
- Companion appliance spacing should also be considered.

To purchase a Stack Kit, see "Assistance or Service."

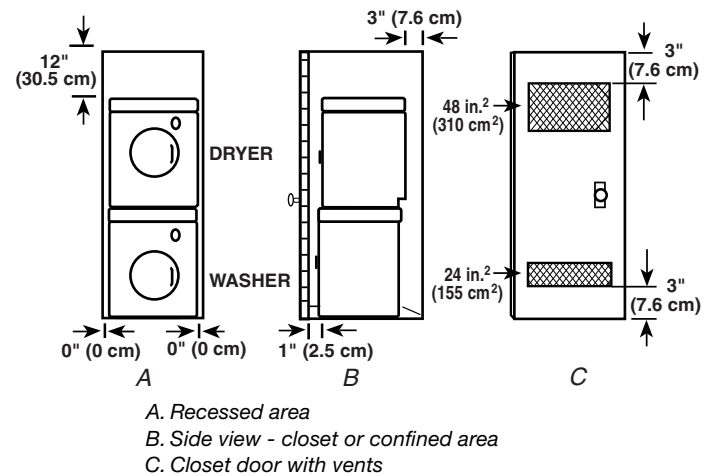
Custom undercounter installation - Dryer only



Recessed or closet installation - Dryer only



Recessed or closet installation - Stacked with stack kit (Accessory)



Mobile Home - Additional Location Requirements

This dryer is suitable for mobile home installations. The installation must conform to the Manufactured Home Construction and Safety Standard CAN/CSA-Z240 MH.

Mobile home installations require:

- Metal exhaust system hardware, which is available for purchase from your dealer.
- Special provisions must be made in mobile homes to introduce outside air into the dryer. The opening (such as a nearby window) should be at least twice as large as the dryer exhaust opening.

Electrical Requirements

⚠ WARNING



Electrical Shock Hazard

Plug into a grounded 4 prong outlet.

Failure to do so can result in death or electrical shock.

It is your responsibility

- To contact a qualified electrical installer.
- To be sure that the electrical connection is adequate and in conformance with the Canadian Electrical Code, C22.1-latest edition and all local codes. A copy of the above codes standard may be obtained from: Canadian Standards Association, 178 Rexdale Blvd., Toronto, ON M9W 1R3 CANADA.
- To supply the required 4 wire, single phase, 120/240 volt, 60 Hz., AC only electrical supply on a separate 30-amp circuit, fused on both sides of the line. A time-delay fuse or circuit breaker is recommended. Connect to an individual branch circuit.
- This dryer is equipped with a CSA International Certified Power Cord intended to be plugged into a standard 14-30R wall receptacle. The cord is 5 ft (1.52 m) in length. Be sure wall receptacle is within reach of dryer's final location.



4-wire receptacle 14-30R

If you are using a replacement power supply cord, it is recommended that you use Power Supply Cord Replacement Part Number 3393639. For further information, please reference the service numbers located in the "Assistance or Service" section of this manual.

GROUNDING INSTRUCTIONS

- For a grounded, cord-connected dryer:
This dryer must be grounded. In the event of malfunction or breakdown, grounding will reduce the risk of electric shock by providing a path of least resistance for electric current. This dryer is equipped with a cord having an equipment-grounding conductor and a grounding plug. The plug must be plugged into an appropriate outlet that is properly installed and grounded in accordance with all local codes and ordinances.

WARNING: Improper connection of the equipment-grounding conductor can result in a risk of electric shock. Check with a qualified electrician or service representative or personnel if you are in doubt as to whether the dryer is properly grounded. Do not modify the plug provided with the dryer: if it will not fit the outlet, have a proper outlet installed by a qualified electrician.

SAVE THESE INSTRUCTIONS

Venting Requirements

⚠ WARNING



Fire Hazard

Use a heavy metal vent.

Do not use a plastic vent.

Do not use a metal foil vent.

Failure to follow these instructions can result in death or fire.

WARNING: To reduce the risk of fire, this dryer MUST BE EXHAUSTED OUTDOORS.

IMPORTANT: Observe all governing codes and ordinances.

The dryer exhaust must not be connected into any gas vent, chimney, wall, ceiling or a concealed space of a building.

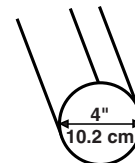
If using an existing vent system

- Clean lint from the entire length of the system and make sure exhaust hood is not plugged with lint.
- Replace any plastic or metal foil vent with rigid or flexible heavy metal vent.
- Review Vent system chart. Modify existing vent system if necessary to achieve the best drying performance.

If this is a new vent system

Vent material

- Use a heavy metal vent. Do not use plastic or metal foil vent.
- 4" (10.2 cm) heavy metal exhaust vent and clamps must be used.



4" (10.2 cm) heavy metal exhaust vent

Rigid metal vent

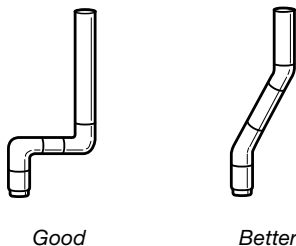
- For best drying performance, rigid metal vents are recommended.
- Rigid metal vent is recommended to avoid crushing and kinking.

Flexible metal vent

- Flexible metal vents are acceptable only if accessible for cleaning.
- Flexible metal vent must be fully extended and supported when the dryer is in its final location.
- Remove excess flexible metal vent to avoid sagging and kinking that may result in reduced airflow and poor performance.
- Do not install flexible metal vent in enclosed walls, ceilings or floors.

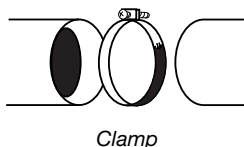
Elbows

45° elbows provide better airflow than 90° elbows.



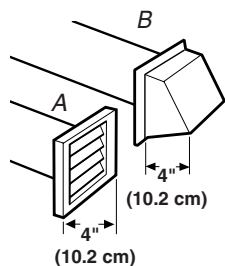
Clamps

- Use clamps to seal all joints.
- Exhaust vent must not be connected or secured with screws or other fastening devices that extend into the interior of the duct. Do not use duct tape.



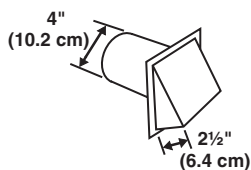
Exhaust

Recommended hood styles are shown here.



A. Louvered hood style
B. Box hood style

The angled hood style (shown here) is acceptable.



- An exhaust hood should cap the vent to keep rodents and insects from entering the home.
- Exhaust hood must be at least 12" (30.5 cm) from the ground or any object that may be in the path of the exhaust (such as flowers, rocks or bushes, snow line, etc.).
- Do not use an exhaust hood with a magnetic latch.

Improper venting can cause moisture and lint to collect indoors, which may result in:

- Moisture damage to woodwork, furniture, paint, wallpaper, carpets, etc.
- Housecleaning problems and health problems.

INSTALLATION INSTRUCTIONS

Plan Vent System

⚠ WARNING



Fire Hazard

Use a heavy metal vent.

Do not use a plastic vent.

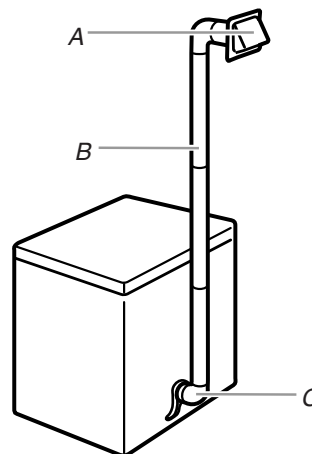
Do not use a metal foil vent.

Failure to follow these instructions can result in death or fire.

Choose your exhaust installation type

Recommended exhaust installations

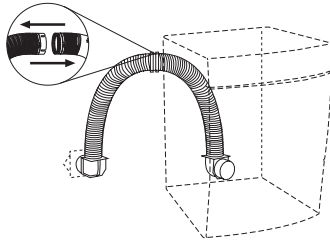
Typical installations vent the dryer from the rear of the dryer.



A. Exhaust hood
B. Flexible metal vent or rigid metal vent
C. Elbow

Alternate installations for close clearances

Venting systems come in many varieties. Select the type best for your installation. A close-clearance installation is shown below. Refer to the manufacturer's instructions.

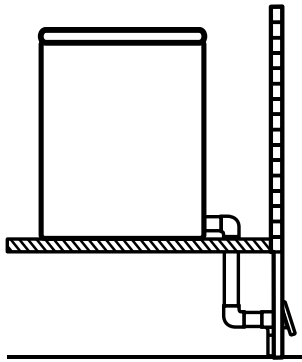


Over-the-top installation (also available with one offset elbow)

Over-the-Top Installation Kit Part Number 4396028 for close clearance alternate installation is available for purchase. For ordering information see "Assistance or Service."

Special provisions for mobile home installations

The exhaust vent must be securely fastened to a noncombustible portion of the mobile home structure and must not terminate beneath the mobile home. Terminate the exhaust vent outside.



Determine vent path

- Select the route that will provide the straightest and most direct path outdoors.
- Plan the installation to use the fewest number of elbows and turns.
- When using elbows or making turns, allow as much room as possible.
- Bend vent gradually to avoid kinking.
- Use the fewest 90° turns possible.

Determine vent length and elbows needed for best drying performance

- Use the following Vent system chart to determine type of vent material and hood combinations acceptable to use.

NOTE: Do not use vent runs longer than those specified in the Vent system chart. Exhaust systems longer than those specified will:

- Shorten the life of the dryer.
- Reduce performance, resulting in longer drying times and increased energy usage.

The Vent system chart provides venting requirements that will help to achieve the best drying performance.

Vent system chart

Number of 90° turns or elbows	Type of vent	Box or louvered hoods	Angled hoods
0	Rigid metal	90 ft (27.4 m)	80 ft (24.4 m)
	Flexible metal	64 ft (19.5 m)	58 ft (17.7 m)
1	Rigid metal	80 ft (24.4 m)	70 ft (21.3 m)
	Flexible metal	58 ft (17.7 m)	52 ft (15.8 m)
2	Rigid metal	70 ft (21.3 m)	60 ft (18.3 m)
	Flexible metal	50 ft (15.2 m)	42 ft (12.8 m)

Install Vent System

1. Install exhaust hood. Use caulking compound to seal exterior wall opening around exhaust hood.
2. Connect vent to exhaust hood. Vent must fit inside exhaust hood. Secure vent to exhaust hood with 4" (10.2 cm) clamp.
3. Run vent to dryer location. Use the straightest path possible. See "Determine vent path" in "Plan Vent System." Avoid 90° turns. Use clamps to seal all joints. Do not use duct tape, screws or other fastening devices that extend into the interior of the vent to secure vent.

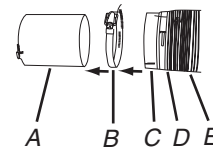
Connect Vent

⚠ WARNING

Excessive Weight Hazard

Use two or more people to move and install dryer.
Failure to do so can result in back or other injury.

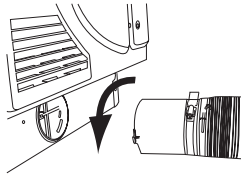
1. To protect the floor, use a large, flat piece of cardboard from the dryer carton. Place cardboard under the entire bottom of the dryer.
2. Slide the dryer on the cardboard until it is close to its final location. Leave enough room to connect the exhaust vent.
3. Using the coupling supplied with the dryer, connect the exhaust vent to the coupling and secure with a 4" (10.2 cm) vent clamp. See illustration below.



- A. Coupling
- B. Vent clamp
- C. Vent coupler
- D. Vent clamp
- E. Rigid or flexible metal vent

If connecting to existing vent, make sure the vent is clean.

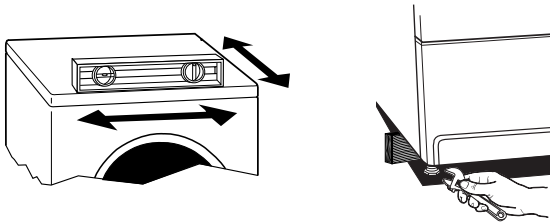
4. Turn the coupling and exhaust vent assembly counterclockwise in the exhaust hole on the back of the dryer.



5. Make sure the exhaust vent is placed inside the exhaust hood and then secured to the exhaust hood with a 4" (10.2 cm) vent clamp.
6. Move dryer into its final location. Do not crush or kink vent.

Level Dryer

Check the levelness of the dryer. Check levelness first side to side, then front to back.



If the dryer is not level, prop up the dryer using a wood block. Use a wrench to adjust the legs up or down and check again for levelness.

Complete Installation

1. Check that all parts are now installed. If there is an extra part, go back through the steps to see which step was skipped.
2. Check that you have all of your tools.
3. Dispose of/recycle all packaging materials.
4. Check the dryer's final location. Be sure the vent is not crushed or kinked.
5. Check that the dryer is level. See "Level Dryer."

⚠ WARNING



Electrical Shock Hazard

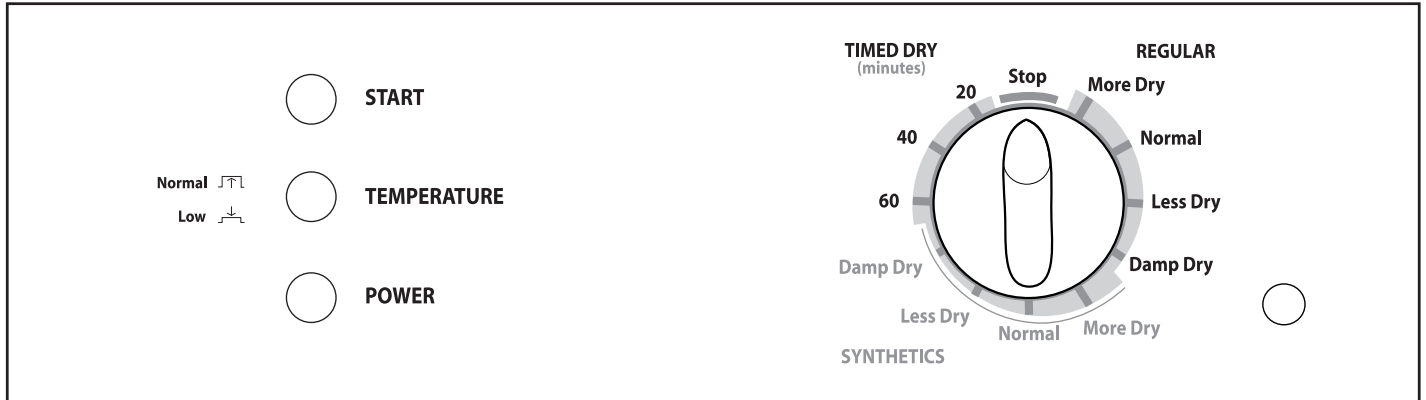
Plug into a grounded 4 prong outlet.

Failure to do so can result in death or electrical shock.

6. Plug into a grounded 4 prong outlet.
7. Remove the clear protective film on the front edge and any tape remaining on the dryer.
8. Read "Dryer Use."
9. Wipe the dryer drum interior thoroughly with a damp cloth to remove any dust.
10. Set the dryer on a full heat cycle (not an air cycle) for 20 minutes and start the dryer.
If the dryer will not start, check the following:
 - Controls are set in a running or "On" position.
 - Start button has been pushed firmly.
 - Dryer is plugged into a grounded outlet.
 - Electrical supply is connected.
 - Household fuse is intact and tight, or circuit breaker has not tripped.
 - Dryer door is closed.
11. When the dryer has been running for 5 minutes, open the dryer door and feel for heat. If you feel heat, cancel cycle and close the door.
If you do not feel heat, turn off the dryer and check the following:
 - There may be 2 household fuses or circuit breakers for the dryer. Make sure both fuses are intact and tight, or that both circuit breakers have not tripped. If there is still no heat, contact a qualified technician.

NOTE: You may notice a burning odor when the dryer is first heated. This odor is common when the heating element is first used. The odor will go away.

DRYER USE



Starting Your Dryer

WARNING



Explosion Hazard

Keep flammable materials and vapors, such as gasoline, away from dryer.

Do not dry anything that has ever had anything flammable on it (even after washing).

Failure to follow these instructions can result in death, explosion, or fire.

WARNING



Fire Hazard

No washer can completely remove oil.

Do not dry anything that has ever had any type of oil on it (including cooking oils).

Do not dry items containing foam, rubber, or plastic in this dryer.

Doing so can result in death or fire.

WARNING: To reduce the risk of fire, electric shock, or injury to persons, read the IMPORTANT SAFETY INSTRUCTIONS before operating this appliance.

Before using your dryer, wipe the dryer drum with a damp cloth to remove dust from storing and shipping.

IMPORTANT: For best performance, do not use fabric softener sheets in this dryer. You may use liquid fabric softener in the washer.

1. Clean the lint screen before each load. See "Cleaning the Lint Screen."
2. Load clothes loosely into the dryer and close the door. Do not pack the dryer. Allow space for clothes to tumble freely.
3. Press the POWER button to turn on the dryer. The indicator light will glow to indicate that the power is on.
4. Press the TEMPERATURE button to select the recommended temperature setting for the type of load being dried. See "Temperature" in the "Controls" section.
5. Turn the cycle knob to the recommended setting for the type of load being dried. See "Drying, Cycle and Temperature Tips."
6. After a short beep sounds, press the START button.

Stopping and Restarting

To stop your dryer at any time

Turn the cycle knob to the STOP position or open the door.

To restart the dryer

1. Close the door.
2. Select a new cycle and temperature (if desired).
3. After the beep sounds, press the START button.

Changing Cycles and Temperatures

To change the cycle or temperature after pressing START

1. Open the dryer door.
2. Press the TEMPERATURE button to change the temperature (if desired).
3. Turn the cycle knob to the new desired position.
4. After the beep sounds, press the START button.

Controls

The control panel is simple to understand and easy to operate. The illustrations below define the knobs and buttons, and the paragraphs define the purpose of each.

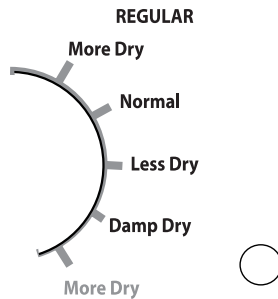
Power

This button switches the power to the machine on and off. The indicator light will glow to indicate the power is on.



Indicator Light

This light indicates when the power is on or that a cycle has started.



Temperature

The Temperature Control button lets you select between a normal and low drying temperature.

NOTE: Always refer to the care label on the garment to determine whether it can be tumble dried.

Normal

The Normal temperature setting is for sturdy fabrics, such as cotton, linen and denim. If the Temperature Control button is not pressed in, the temperature setting is Normal.

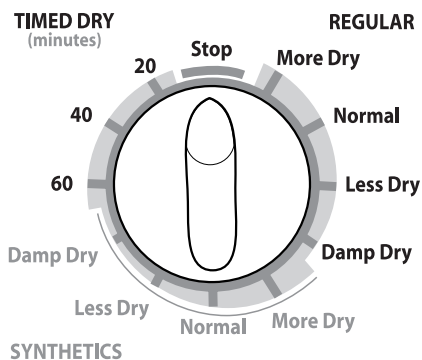
Low

The Low setting is for synthetics, such as cotton/polyester blend, rayon, acetate, washable silk or nylon. If the Temperature Control button is pressed in, the temperature setting is Low.



Cycle Knob

Turn this knob to the recommended setting. Indicator light will flash to indicate a cycle has been selected. See "Drying, Cycle and Temperature Tips."



Stop Position

Turn the cycle knob to the Stop position at any time.

Start Button

After you have selected a cycle and temperature, press this button to start the cycle. Indicator light will glow to indicate the cycle has started.



Drying, Cycle and Temperature Tips

Select the correct cycle and temperature for your load.

Your dryer tumbles the load without heat during the last few minutes of all cycles to make the load easier to handle and to reduce wrinkling. After the cool-down cycle ends, the light flashes, and an end-of-cycle signal sounds to indicate the cycle is complete.

Drying tips

- Follow care label directions when they are available.
- Remove the load from the dryer as soon as tumbling stops to reduce wrinkling. This is especially important for permanent press, knits and synthetic fabrics.
- Avoid drying heavy work clothes with lighter fabrics. This could cause overdrying of lighter fabrics, leading to increased shrinkage or wrinkling.

Cycle and temperature tips

- Dry most loads using an automatic cycle.
- Line dry bonded or laminated fabrics.

NOTE: If you have questions about drying temperatures for various loads, refer to the care label directions.

Cycles

Automatic Cycles

When you are using the Auto Moisture Sensing Cycle, two metal strips (sensors) located on the dryer baffles determine the dryness of the load. The metal strips help detect the amount of moisture left in the clothes as they pass. When there is moisture left in the clothes, the machine will continue to run. As clothes begin to dry, the amount of water left in the clothes decreases, and the timer advances through the remainder of the cycle. When the selected dryness level is reached, the dryer goes into a cool down period of up to 15 minutes.

Automatic cycles may be used for most loads. Automatic cycles give the best drying results in the shortest time. Drying time varies according to the type of fabric, size of the load and dryness setting.

After drying a load, check the dryness.

- If the load is drier than you like, select a setting closer to Less Dry the next time you dry a similar load.
- If a load is not as dry as you like, complete drying using a Timed cycle. Select a setting closer to More Dry the next time you dry a similar load.

See following table for recommended cycles and temperature settings.

Fabric Type	Cycle	Temperature Setting
REGULAR		
Heavy cottons and denims	More Dry	Normal
Cottons and linens	Normal	Normal
SYNTHETICS		
White and colorfast permanent press	Normal	Low
White and colorfast items that require ironing	Less Dry	Low
Polyester/acrylic blends, rayon, acetate	Damp Dry	Low
Washable silk and nylon	Damp Dry	Low

Timed Dry

Use this cycle to get up to 60 minutes of heated drying time or to complete drying if items are still damp after the automatic cycle. Timed Dry is also useful for:

- Heavyweight items and work clothes that require a long drying time.
- Lightweight items, such as lingerie, blouses and knits that require a short drying time.

See following table for recommended cycles and temperature settings.

Fabric Type	Time (minutes)	Temperature Setting
Heavy cottons and denims	60	Normal
Cottons and linens	40	Normal
White and colorfast permanent press	40	Low
White and colorfast items that require ironing	40	Low
Polyester/acrylic blends, rayon, acetate	40	Low
Washable silk and nylon	40	Low

End of Cycle Signal

The dryer sounds a signal to let you know when the cycle is complete. The signal is not adjustable and cannot be turned off. The signal is helpful when you are drying permanent press, synthetics, and other items that should be removed promptly at the end of the cycle.

Anti-Wrinkle

Anti-Wrinkle helps smooth out wrinkles that form when clothes are not removed promptly at the end of a cycle. Anti-Wrinkle tumbles the load every minute until the cycle knob is set to the Stop position or the dryer door is opened.

During Anti-Wrinkle, the End of Cycle Signal will sound until the cycle knob is set to the Stop position or the dryer door is opened.

DRYER CARE

Cleaning the Dryer Location

Keep dryer area clear and free from items that would obstruct the flow of combustion and ventilation air.

! WARNING



Explosion Hazard

Keep flammable materials and vapors, such as gasoline, away from dryer.

Place dryer at least 18 inches (46 cm) above the floor for a garage installation.

Failure to do so can result in death, explosion, or fire.

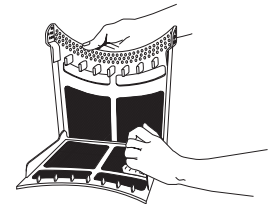
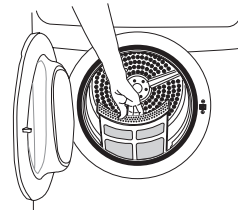
Cleaning the Lint Screen

Every load cleaning

The lint screen is located in the door opening of the dryer. Clean the lint screen before each load. A screen blocked by lint can increase drying time.

To clean

1. Open the door and pull the lint screen straight up.



2. Open lint screen.
3. Roll lint off the screen with your fingers. Do not rinse or wash screen to remove lint. Wet lint is hard to remove.
4. Close lint screen. Push the lint screen firmly back into place and close the door.

IMPORTANT:

- Do not run the dryer with the lint screen loose, damaged, blocked or missing. Doing so can cause overheating and damage to both the dryer and fabrics.

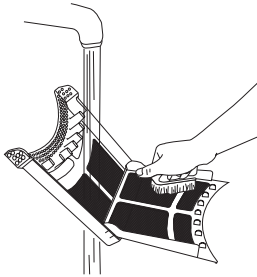
As needed cleaning

Laundry detergent and fabric softener residue can build up on the lint screen. This buildup can cause longer drying times for your clothes, or cause the dryer to stop before your load is completely dry. The screen is probably clogged if lint falls off the screen.

Clean the lint screen with a nylon brush every 6 months, or more frequently if it becomes clogged due to a residue buildup.

To wash

1. Roll lint off the screen with your fingers.
2. Wet both sides of the lint screen with hot water.
3. Wet a nylon brush with hot water and liquid detergent. Scrub lint screen with the brush to remove residue buildup.



4. Rinse with hot water.
5. Thoroughly dry lint screen with a clean towel. Replace in dryer.

Cleaning the Dryer Interior

To clean dryer drum

1. Make a paste with powdered laundry detergent and very warm water.
2. Apply paste to a soft cloth.

OR

Apply a liquid, nonflammable household cleaner to the stained area and rub with a soft cloth until all excess dye is removed.

3. Wipe drum thoroughly with a damp cloth.
4. Tumble a load of clean cloths or towels to dry drum.

NOTE: Garments that contain unstable dyes, such as denim blue jeans or brightly colored cotton items, may discolor the dryer interior. These stains are not harmful to your dryer and will not stain future loads of clothes. Dry unstable dye items inside-out to avoid dye transfer.

Cleaning the Control Panel

To clean the control panel, use only a warm, damp cloth.

NOTE: Do not use abrasive cleaners or scouring pads on the outer surfaces because they will scratch the finish and could remove the writing on the control panel.

Some paper towels may also scratch the finish.

Removing Accumulated Lint

From Inside the Dryer Cabinet

Lint should be removed every 2 years, or more often, depending on dryer usage. Cleaning should be done by a qualified person.

From the Exhaust Vent

Lint should be removed every 2 years, or more often, depending on dryer usage.

Vacation and Moving Care

Vacation care

Operate your dryer only when you are at home. If you will be on vacation or not using your dryer for an extended period of time, you should:

1. Unplug dryer or disconnect power.
2. Clean lint screen. See "Cleaning the Lint Screen."

Moving care

⚠ WARNING



Electrical Shock Hazard

Disconnect power before servicing.

Replace all parts and panels before operating.

Failure to do so can result in death or electrical shock.

1. Unplug the power supply cord.
2. Make sure leveling legs are secure in dryer base.
3. Use masking tape to secure dryer door.

TROUBLESHOOTING

First try the solutions suggested here and possibly avoid the cost of a service call...

Dryer Operation

Dryer will not run

- **Has a household fuse blown, or has a circuit breaker tripped?**
There may be 2 fuses or circuit breakers for the dryer. Make sure both fuses are intact and tight, or that both circuit breakers have not tripped. Replace the fuse or reset the circuit breaker. If the problem continues, call an electrician.
- **Is the correct power supply available?**
Electric dryers require 240-volt power supply. Check with a qualified electrician.
- **Was a regular fuse used?**
Use a time-delay fuse.
- **Is the dryer door firmly closed?**
- **Was the Start button firmly pressed?**
- **Is the motor running but the drum isn't turning?**
The belt may be broken. Call for service.
- **Is the indicator light glowing?** If not, press the POWER button.

No heat

- **Has a household fuse blown, or has a circuit breaker tripped?**
Electric dryers use 2 household fuses or circuit breakers. The drum may be turning, but you may not have heat. Replace the fuse or reset the circuit breaker. If the problem continues, call an electrician.

Unusual sounds

- **Has the dryer had a period of non-use?**
If the dryer hasn't been used for a while, there may be a thumping sound during the first few minutes of operation.
- **Is a coin, button, or paper clip caught between the drum and front or rear of the dryer?**
Check the front and rear edges of the drum for small objects. Clean out pockets before laundering.
- **Are the four legs installed, and is the dryer level front to back and side to side?**
The dryer may vibrate if not properly installed. See the Installation Instructions.
- **Is the clothing knotted or balled up?**
When balled up, the load will bounce, causing the dryer to vibrate. Separate the load items and restart the dryer.

Dryer Results

Clothes are not drying satisfactorily, drying times are too long, or load is too hot

NOTE: The compact dryer operates at a lower wattage. Expect longer drying times.

- **Is the lint screen clogged with lint?**
Lint screen should be cleaned before each load.

⚠ WARNING



Fire Hazard

Use a heavy metal vent.

Do not use a plastic vent.

Do not use a metal foil vent.

Failure to follow these instructions can result in death or fire.

- **Is the exhaust vent or outside exhaust hood clogged with lint, restricting air movement?**
Run the dryer for 5-10 minutes. Hold your hand under the outside exhaust hood to check air movement. If you do not feel air movement, clean exhaust system of lint or replace exhaust vent with heavy metal or flexible metal vent. See the Installation Instructions.
- **Is the exhaust vent the correct length?**
Check that the exhaust vent is not too long or has too many turns. Long venting will increase drying times. See the Installation Instructions.
- **Is the exhaust vent diameter the correct size?**
Use 4" (10.2 cm) diameter vent material.

⚠ WARNING



Explosion Hazard

Keep flammable materials and vapors, such as gasoline, away from dryer.

Place dryer at least 18 inches (46 cm) above the floor for a garage installation.

Failure to do so can result in death, explosion, or fire.

- **Is the dryer located in a room with temperature below 45°F (7°C)?**
Proper operation of dryer cycles requires temperatures above 45°F (7°C).
- **Is the dryer located in a closet?**
Closet doors must have ventilation openings at the top and bottom of the door. The rear of the dryer requires a minimum of 5½" (14 cm) of airspace, and 1" (2.5 cm) is recommended for the sides and front of the dryer. See the Installation Instructions.
- **Is the load too large and heavy to dry quickly?**
Separate the load to tumble freely.

Cycle time too short

⚠ WARNING

Excessive Weight Hazard

Use two or more people to move and install dryer.

Failure to do so can result in back or other injury.

- **Is the automatic cycle ending early?**
The load may not be contacting the sensor strips. Level the dryer.

Change the dryness level setting on Automatic Cycles. Increasing or decreasing the dryness level will change the amount of drying time in a cycle.

Lint on load

- **Is the lint screen clogged?**
Lint screen should be cleaned before each load.

Stains on load or drum

- Drum stains are caused by dyes in clothing (usually blue jeans). This will not transfer to other clothing.

Loads are wrinkled

- **Was the load removed from dryer at the end of the cycle?**
- **Was the dryer overloaded?**
Dry smaller loads that can tumble freely.

Odors

- **Have you recently been painting, staining or varnishing in the area where your dryer is located?**
If so, ventilate the area. When the odors or fumes are gone from the area, rewash and dry the clothing.
- **Is the dryer being used for the first time?**
The new electric heating element may have an odor. The odor will be gone after the first cycle.

ASSISTANCE OR SERVICE

Before calling for assistance or service, please check "Troubleshooting." It may save you the cost of a service call. If you still need help, follow the instructions below.

When calling, please know the purchase date and the complete model and serial number of your appliance. This information will help us to better respond to your request.

If you need replacement parts

If you need to order replacement parts, we recommend that you use only FSP® factory specified parts. These parts will fit right and work right because they are made with the same precision used to build every new WHIRLPOOL® appliance.

To locate FSP replacement parts in your area:

Call **1-800-807-6777**, or your nearest designated service center.

Our consultants provide assistance with:

- Features and specifications on our full line of appliances.
- Use and maintenance procedures.
- Accessory and repair parts sales.
- Referrals to local dealers, repair parts distributors, and service companies. Whirlpool Canada LP designated service technicians are trained to fulfill the product warranty and provide after-warranty service anywhere in Canada.

For further assistance

If you need further assistance, you can write to Whirlpool Canada LP with any questions or concerns at:

Customer Interaction Centre
Whirlpool Canada LP
1901 Minnesota Court
Mississauga, Ontario L5N 3A7

Please include a daytime phone number in your correspondence.

WHIRLPOOL CORPORATION MAJOR APPLIANCE WARRANTY

ONE YEAR LIMITED WARRANTY

For one year from the date of purchase, when this major appliance is operated and maintained according to instructions attached to or furnished with the product, Whirlpool Corporation or Whirlpool Canada LP (hereafter "Whirlpool") will pay for FSP® replacement parts and repair labor to correct defects in materials or workmanship. Service must be provided by a Whirlpool designated service company.

ITEMS WHIRLPOOL WILL NOT PAY FOR

1. Service calls to correct the installation of your major appliance, to instruct you how to use your major appliance, to replace or repair house fuses or to correct house wiring or plumbing.
 2. Service calls to repair or replace appliance light bulbs, air filters or water filters. Those consumable parts are excluded from warranty coverage.
 3. Repairs when your major appliance is used for other than normal, single-family household use.
 4. Damage resulting from accident, alteration, misuse, abuse, fire, flood, acts of God, improper installation, installation not in accordance with electrical or plumbing codes, or use of products not approved by Whirlpool.
 5. Any food loss due to refrigerator or freezer product failures.
 6. Replacement parts or repair labor costs for units operated outside the United States or Canada.
 7. Pickup and delivery. This major appliance is designed to be repaired in the home.
 8. Repairs to parts or systems resulting from unauthorized modifications made to the appliance.
 9. Expenses for travel and transportation for product service in remote locations.
 10. The removal and reinstallation of your appliance if it is installed in an inaccessible location or is not installed in accordance with published installation instructions.
-

DISCLAIMER OF IMPLIED WARRANTIES; LIMITATION OF REMEDIES

CUSTOMER'S SOLE AND EXCLUSIVE REMEDY UNDER THIS LIMITED WARRANTY SHALL BE PRODUCT REPAIR AS PROVIDED HEREIN. IMPLIED WARRANTIES, INCLUDING WARRANTIES OF MERCHANTABILITY OR FITNESS FOR A PARTICULAR PURPOSE, ARE LIMITED TO ONE YEAR OR THE SHORTEST PERIOD ALLOWED BY LAW. WHIRLPOOL SHALL NOT BE LIABLE FOR INCIDENTAL OR CONSEQUENTIAL DAMAGES. SOME STATES AND PROVINCES DO NOT ALLOW THE EXCLUSION OR LIMITATION OF INCIDENTAL OR CONSEQUENTIAL DAMAGES, OR LIMITATIONS ON THE DURATION OF IMPLIED WARRANTIES OF MERCHANTABILITY OR FITNESS, SO THESE EXCLUSIONS OR LIMITATIONS MAY NOT APPLY TO YOU. THIS WARRANTY GIVES YOU SPECIFIC LEGAL RIGHTS AND YOU MAY ALSO HAVE OTHER RIGHTS, WHICH VARY FROM STATE TO STATE OR PROVINCE TO PROVINCE.

Outside the 50 United States and Canada, this warranty does not apply. Contact your authorized Whirlpool dealer to determine if another warranty applies.

If you need service, first see the "Troubleshooting" section of the Use & Care Guide. After checking "Troubleshooting," additional help can be found by checking the "Assistance or Service" section or by calling Whirlpool. In the U.S.A., call **1-800-253-1301**. In Canada, call **1-800-807-6777**. 8/05

Keep this book and your sales slip together for future reference. You must provide proof of purchase or installation date for in-warranty service.

Write down the following information about your major appliance to better help you obtain assistance or service if you ever need it. You will need to know your complete model number and serial number. You can find this information on the model and serial number label located on the product.

Dealer name _____
Address _____
Phone number _____
Model number _____
Serial number _____
Purchase date _____

SÉCURITÉ DE LA SÈCHEUSE

Votre sécurité et celle des autres est très importante.

Nous donnons de nombreux messages de sécurité importants dans ce manuel et sur votre appareil ménager. Assurez-vous de toujours lire tous les messages de sécurité et de vous y conformer.



Voici le symbole d'alerte de sécurité.

Ce symbole d'alerte de sécurité vous signale les dangers potentiels de décès et de blessures graves à vous et à d'autres.

Tous les messages de sécurité suivront le symbole d'alerte de sécurité et le mot "DANGER" ou "AVERTISSEMENT". Ces mots signifient :

⚠ DANGER

Risque possible de décès ou de blessure grave si vous ne suivez pas immédiatement les instructions.

⚠ AVERTISSEMENT

Risque possible de décès ou de blessure grave si vous ne suivez pas les instructions.

Tous les messages de sécurité vous diront quel est le danger potentiel et vous disent comment réduire le risque de blessure et ce qui peut se produire en cas de non-respect des instructions.

IMPORTANTES INSTRUCTIONS DE SÉCURITÉ

AVERTISSEMENT : Pour réduire le risque d'incendie, de choc électrique ou de blessure lors de l'utilisation de la sècheuse, il convient d'observer certaines précautions élémentaires dont les suivantes :

- Lire toutes les instructions avant d'utiliser la sècheuse.
- Ne pas placer des articles exposés aux huiles de cuisson dans votre sècheuse. Les articles contaminés par des huiles de cuisson peuvent contribuer à une réaction chimique qui pourrait causer à la charge de s'enflammer.
- Ne pas faire sécher dans la machine des articles qui ont déjà été nettoyés, lavés, imbibés, ou tachés d'essence, de solvants pour nettoyage à sec, d'autres substances inflammables, ou de substances explosives puisqu'elles dégagent des vapeurs qui peuvent provoquer un incendie ou une explosion.
- Ne pas permettre à des enfants de jouer sur ou à l'intérieur de la sècheuse. Une surveillance étroite est nécessaire lorsque la sècheuse est utilisée près d'eux.
- Avant d'enlever la sècheuse du service ou la jeter, enlever la porte du compartiment de séchage.
- Ne pas mettre la main dans la sècheuse si le tambour est en mouvement.
- Ne pas installer ni entreposer la sècheuse où elle sera exposée aux intempéries.
- Ne pas jouer avec les commandes.
- Ne pas réparer ni remplacer une pièce de la sècheuse ou essayer d'en faire l'entretien à moins d'une recommandation spécifique dans le guide d'utilisation et d'entretien, ou publiée dans les instructions de réparation par l'utilisateur que vous comprenez et pouvez exécuter avec compétence.
- Ne pas utiliser un produit assouplissant de tissu ou des produits pour éliminer la statique à moins qu'ils ne soient recommandés par le fabricant du produit assouplissant de tissu ou du produit.
- Ne pas utiliser la chaleur pour faire sécher des articles fabriqués avec du caoutchouc mousse ou des matériaux semblables.
- Nettoyer le filtre à charpie avant et après chaque charge.
- Ne pas laisser la charpie, la poussière, ou la saleté s'accumuler autour du système d'évacuation ou autour de l'appareil.
- Un nettoyage périodique de l'intérieur de la sècheuse et du conduit d'évacuation doit être effectué par une personne qualifiée.
- Voir les instructions d'installation pour les exigences de liaison de l'appareil à la terre.

CONSERVEZ CES INSTRUCTIONS

EXIGENCES D'INSTALLATION

Outillage et pièces

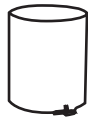
Outillage requis

Rassembler les outils et pièces nécessaires avant de commencer l'installation. Lire et suivre les instructions fournies avec les outils indiqués ici.

- Tournevis à lame plate
- Clé à molette
- Tournevis T20 TORX[†]
- Pistolet à calfeutrage et composé de calfeutrage (pour l'installation d'un nouveau conduit d'évacuation)
- Cisaille de ferblantier (nouvelles installations d'évacuation)
- Bloc de bois
- Niveau
- Clapets d'évacuation

Pièces fournies

Retirer le sachet de pièces du tambour de la sècheuse. Vérifier que toutes les pièces de la liste sont présentes.



Raccord

Pièces nécessaires

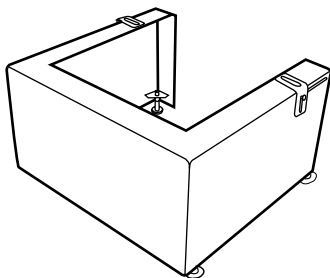
Consulter les codes locaux, vérifier l'alimentation électrique et le circuit d'évacuation existants, et consulter les sections "Spécifications électriques" et "Exigences concernant l'évacuation" avant d'acheter des pièces.

Les installations en maison mobile nécessitent du matériel pour système d'évacuation en métal. Pour des informations sur la commande, veuillez vous référer à la section "Assistance ou service" de ce manuel. Vous pouvez également contacter le marchand chez qui vous avez acheté votre sècheuse.

Options

Piédestal

Vous pouvez commander un piédestal séparément pour cette sècheuse. Ce piédestal ajoutera environ 12" (30,48 cm) à la hauteur de l'appareil pour une hauteur totale d'environ 45" (114,3 cm).



Piédestal facultatif

Pour commander, téléphoner au marchand chez qui la sècheuse a été achetée ou se référer à la section "Assistance ou service" de ce manuel. Demander le modèle n° LAB0050PQ.

[†]TORX est une marque déposée de Textron Innovations Inc.

Ensemble de superposition

Prévoyez-vous de superposer votre laveuse et votre sècheuse? Pour ce faire, vous devrez acheter un ensemble de superposition.

Pour commander, téléphoner au marchand chez qui la laveuse a été achetée ou se référer à la section "Assistance ou service" de ce manuel. Demander la pièce n° 8182452.

Emplacement d'installation

⚠ AVERTISSEMENT



Risque d'explosion

Garder les matières et les vapeurs inflammables, telle que l'essence, loin de la sècheuse.

Placer la sècheuse au moins 46 cm (18 po) au-dessus du plancher pour une installation dans un garage.

Le non-respect de ces instructions peut causer un décès, une explosion ou un incendie.

Il vous faudra

- Un emplacement qui permet l'installation d'un système d'évacuation approprié. Voir "Exigences concernant l'évacuation".
- Un circuit distinct de 30 ampères.
- Une prise électrique avec liaison à la terre située à moins de 2 pi (61 cm) de l'un des côtés de la sècheuse. Voir "Spécifications électriques".
- Un plancher robuste capable de soutenir le poids total de la sècheuse (sècheuse et chargement) de 115 lb (52 kg). Il faut aussi prendre en compte le poids combiné d'un appareil ménager voisin.
- Un plancher de niveau ayant une pente maximale de 1" (2,5 cm) sous l'ensemble de la sècheuse.

Ne pas faire fonctionner la sècheuse à des températures inférieures à 45°F (7°C). À des températures inférieures, la sècheuse risque de ne plus s'arrêter à la fin d'un programme automatique. Ceci risque de prolonger les durées de séchage.

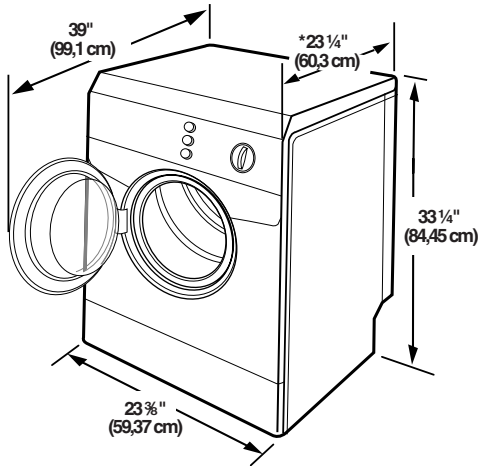
La sècheuse ne doit pas être installée ou remisee dans un endroit où elle sera exposée à l'eau et/ou aux intempéries.

Vérifier les règlements locaux. Certains codes limitent ou n'autorisent pas l'installation des sècheuses dans un garage, un placard, une maison mobile ou une chambre à coucher. Communiquer avec l'inspecteur des bâtiments local.

Espaces d'installation

L'emplacement doit être assez grand pour permettre d'ouvrir complètement la porte de la sècheuse.

Dimensions de la sècheuse



*La plupart des installations requièrent un espace minimum de 5½" (14,0 cm) derrière la sècheuse pour le conduit d'évacuation avec coudes. Voir "Exigences concernant l'évacuation".

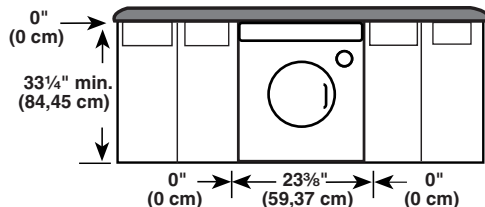
Espace minimum recommandé pour une installation dans un encastrement, ou dans un placard

Les espaces minimums suivants sont requis quand la sècheuse doit fonctionner avec ou sans le nécessaire de superposition. Cette sècheuse a été testée pour une installation avec dégagement de 0" (0 cm); toutefois, on recommande un dégagement de 1" (2,5 cm). L'espace recommandé doit être considéré pour les raisons suivantes :

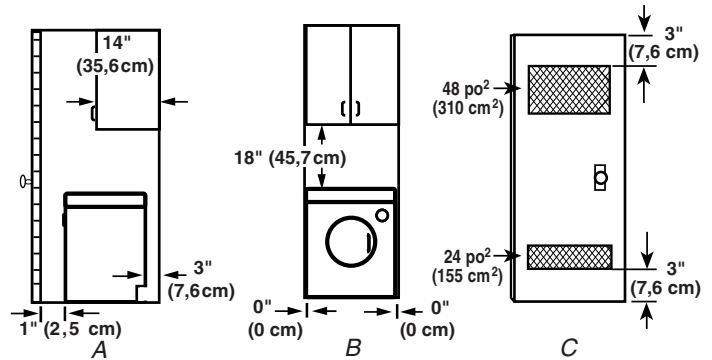
- On prévoira un peu plus d'espace pour faciliter l'installation et l'entretien.
- Un espace supplémentaire de tous les côtés de la sècheuse est recommandé pour réduire le transfert du bruit.
- Si une porte de placard est installée, on doit prévoir des ouvertures minimums d'entrée d'air en haut et en bas de la porte. Les portes à claire-voie offrant des ouvertures équivalentes de passage de l'air sont acceptables.
- Il faut aussi prendre en compte l'espace requis entre les appareils voisins.

Pour acheter le nécessaire de superposition, voir la section "Assistance ou service".

Installation personnalisée sous un comptoir – sècheuse seulement

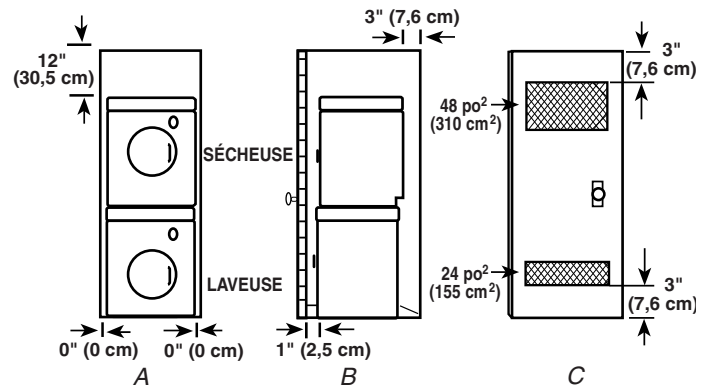


Installation dans un encastrement ou placard - Sécheuse seulement



A. Vue latérale - placard ou endroit exigu
B. Encastrement
C. Porte de placard avec ouvertures d'entrée d'air

Installation dans un encastrement ou placard - Superposition avec nécessaire de superposition (accessoire)



A. Encastrement
B. Vue latérale - placard ou endroit exigu
C. Porte de placard avec ouvertures d'entrée d'air

Exigences supplémentaires concernant l'installation dans une maison mobile

Cette sècheuse convient aux installations pour maison mobile. L'installation doit être conforme à la norme canadienne sur les maisons préfabriquées CAN/CSA-Z240 MH.

L'installation dans une maison mobile exige :

- Un système d'évacuation en métal qui peut être acheté chez votre marchand.
- La prise de dispositions spéciales pour l'apport d'air de l'extérieur dans la sècheuse dans les maisons mobiles. L'ouverture (telle qu'une fenêtre à proximité) devrait être au moins deux fois plus grande que l'ouverture de décharge de la sècheuse.

Spécifications électriques

⚠ AVERTISSEMENT



Risque de choc électrique

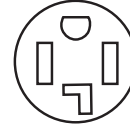
Brancher sur une prise à 4 alvéoles reliée à la terre.

Le non-respect de cette instruction peut causer un décès ou un choc électrique.

C'est à l'utilisateur qu'incombe la responsabilité de

- Communiquer avec un électricien qualifié.
- S'assurer que les connexions électriques sont adéquates et conformes au Code canadien de l'électricité, C22.1 - dernière édition et à tous les codes locaux. Pour obtenir un exemplaire de la norme des codes ci-dessus, contacter : Association canadienne de normalisation, 178 Rexdale Blvd., Toronto, ON M9W 1R3 CANADA.
- Alimenter l'appareil uniquement par un circuit monophasé de 120/240 volts CA, 60 Hz à 4 fils, sur un circuit séparé de 30 ampères, avec fusibles aux deux extrémités de la ligne. On recommande l'emploi d'un fusible temporisé ou disjoncteur. On recommande également que cet appareil soit alimenté par un circuit indépendant.

- Cette sècheuse est équipée d'un cordon électrique homologué par la CSA International à introduire dans une prise murale standard 14-30R. Le cordon mesure 5 pi (1,52 m). Veiller à ce que la prise murale se trouve à proximité de l'emplacement définitif de la sècheuse.



Prise murale à 4 fils 14-30R

Si on utilise un cordon d'alimentation de rechange, il est recommandé d'utiliser le cordon d'alimentation de rechange numéro de pièce 3393639. Pour plus d'informations, veuillez consulter les numéros de service qui se trouvent à la section "Assistance ou service" de ce manuel.

INSTRUCTIONS DE LIAISON À LA TERRE

- Pour une sècheuse reliée à la terre et connectée par un cordon :

Cette sècheuse doit être reliée à la terre. En cas de mauvais fonctionnement ou de panne, la liaison à la terre réduira le risque de choc électrique en offrant au courant électrique un acheminement d'évacuation de moindre résistance. Cette sècheuse est alimentée par un cordon électrique comportant un conducteur relié à la terre et une fiche de branchement munie d'une broche de liaison à la terre. La fiche doit être branchée sur une prise appropriée qui est bien installée et reliée à la terre conformément à tous les codes et règlements locaux.

AVERTISSEMENT : Le raccordement incorrect de cet appareil au conducteur de liaison à la terre peut susciter un risque de choc électrique. En cas de doute quant à la qualité de liaison à la terre de la sècheuse, consulter un électricien ou un technicien ou un personnel qualifié. Ne pas modifier la fiche de branchement fournie avec la sècheuse; si la fiche ne correspond pas à la configuration de la prise de courant, demander à un électricien qualifié d'installer une prise de courant appropriée.

CONSERVEZ CES INSTRUCTIONS

Exigences concernant l'évacuation

AVERTISSEMENT



Risque d'incendie

Utiliser un conduit d'évacuation en métal lourd.

Ne pas utiliser un conduit d'évacuation en plastique.

Ne pas utiliser un conduit d'évacuation en feuille de métal.

Le non-respect de ces instructions peut causer un décès ou un incendie.

AVERTISSEMENT : Pour réduire le risque d'incendie, cette sècheuse doit ÉVACUER L'AIR À L'EXTÉRIEUR.

IMPORTANT : Observer les dispositions de tous les codes et règlements en vigueur.

Le conduit d'évacuation de la sècheuse ne doit pas être connecté à une évacuation de gaz, une cheminée, un mur, un plafond ou un vide de construction.

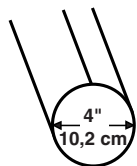
En cas d'utilisation du système d'évacuation existant

- Éliminer la charpie sur toute la longueur du système et veiller à ce que le clapet de décharge ne soit pas obstrué par une accumulation de charpie.
- Remplacer tout conduit de plastique ou de feuille métallique par un conduit de métal lourd rigide ou souple.
- Examiner le tableau de longueur du conduit d'évacuation. Apporter les modifications nécessaires au système d'évacuation pour atteindre le meilleur rendement de séchage.

En cas de nouveau système d'évacuation

Matériel pour l'évacuation

- Utiliser un conduit d'évacuation en métal lourd. Ne pas utiliser un conduit de plastique ou en feuille métallique.
- Utiliser un conduit d'évacuation en métal lourd de 4" (10,2 cm) et des brides de serrage.



Conduit d'évacuation en métal lourd de 4" (10,2 cm)

Conduit métallique rigide

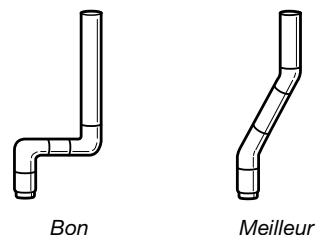
- Pour un meilleur rendement de séchage, on recommande d'utiliser des conduits métalliques rigides.
- On recommande d'utiliser un conduit métallique rigide pour réduire les risques d'écrasement et de déformation.

Conduit métallique flexible

- Les conduits métalliques flexibles sont acceptables seulement dans la mesure où ils sont accessibles en vue du nettoyage.
- Un conduit métallique flexible doit être totalement déployé et soutenu lorsque la sècheuse est à sa position finale.
- Enlever tout excès de conduit flexible pour éviter tout affaissement ou déformation susceptible de réduire la capacité d'évacuation et le rendement.
- Ne pas installer le conduit métallique flexible dans les cavités fermées des murs, plafonds ou planchers.

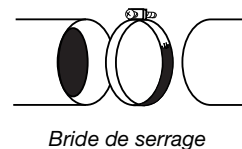
Coudes

Les coudes à 45° permettent une meilleure circulation de l'air que les coudes à 90°.



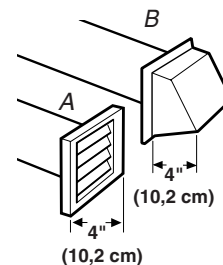
Brides de serrage

- Utiliser des brides pour sceller tous les joints.
- Le conduit d'évacuation ne doit pas être connecté ou fixé avec des vis ou avec tout autre dispositif de serrage qui se prolonge à l'intérieur du conduit. Ne pas utiliser de ruban adhésif pour conduit.



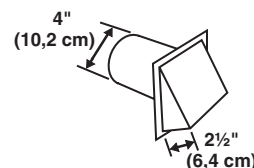
Évacuation

Les styles de clapets recommandés sont illustrés ci-dessous.



A. Clapet à persiennes
B. Clapet de type boîte

Le clapet incliné (illustré ici) est acceptable.



- Terminer le conduit d'évacuation par un clapet de décharge pour empêcher les rongeurs et insectes d'entrer dans l'habitation.
- Le clapet de décharge doit être situé à au moins 12" (30,5 cm) au-dessus du sol ou de tout autre objet susceptible de se trouver sur le trajet de l'air humide rejeté (par exemple, fleurs, roches ou arbustes, limite de la neige, etc.)

- Ne pas utiliser un clapet d'évacuation à fermeture magnétique.

Une mauvaise évacuation de l'air peut causer de l'humidité et une accumulation de charpie à l'intérieur de la maison qui peut causer :

- Dommages par l'humidité aux boiseries, meubles, peinture, papier-peint, tapis, etc.
- Problèmes de nettoyage dans la maison et problèmes de santé.

INSTRUCTIONS D'INSTALLATION

Planification du système d'évacuation

⚠ AVERTISSEMENT

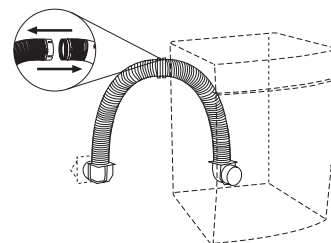


Risque d'incendie

- Utiliser un conduit d'évacuation en métal lourd.
- Ne pas utiliser un conduit d'évacuation en plastique.
- Ne pas utiliser un conduit d'évacuation en feuille de métal.
- Le non-respect de ces instructions peut causer un décès ou un incendie.

Autres installations où le dégagement est réduit

Il existe de nombreux systèmes d'évacuation. Choisir le système qui convient le mieux à l'installation. Une installation à dégagement réduit est illustrée. Voir les instructions du fabricant.



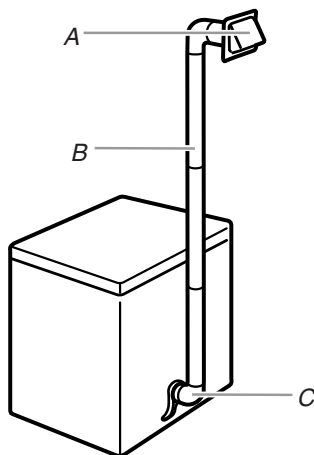
Installation sur le dessus (disponible également avec un coude décalé)

Le nécessaire pour l'installation sur le dessus (pièce n° 4396028) pour une autre installation (dégagement limité) est disponible à l'achat. Pour des renseignements sur la commande, voir "Assistance ou service".

Choisir un type de système d'évacuation

Installations d'évacuation recommandées

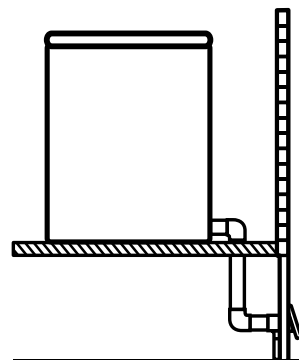
Les installations typiques consistent à acheminer le conduit d'évacuation à l'arrière de la sècheuse.



- A. Clapet de décharge
- B. Conduit métallique rigide ou souple
- C. Coude

Dispositions spéciales pour les installations dans une maison mobile

Le système d'évacuation doit être solidement fixé à une section non combustible de la structure de la maison mobile et ne doit pas se terminer en dessous de la maison mobile. Faire en sorte que le système d'évacuation se termine à l'extérieur.



Déterminer l'itinéraire d'acheminement du conduit

- Choisir l'itinéraire d'acheminement vers l'extérieur qui sera le plus direct et le plus rectiligne.
- Planifier l'installation pour introduire le nombre minimal de coudes et de changements de direction.

- Si des coudes ou des changements de direction sont utilisés, prévoir autant d'espace que possible.
- Plier le conduit graduellement pour éviter de le déformer.
- Utiliser le moins possible de changements de direction à 90°.

Déterminer la longueur du conduit et les coudes nécessaires pour la meilleure performance de séchage

- Utiliser le tableau des systèmes d'évacuation ci-dessous pour déterminer le type de matériel à utiliser pour le conduit et les combinaisons de clapet acceptables.

REMARQUE : Ne pas utiliser un conduit de longueur supérieure à la valeur spécifiée dans le tableau des systèmes d'évacuation. Si la longueur du circuit est supérieure à la valeur spécifiée dans le tableau, on observera :

- Une réduction de la longévité de la sècheuse.
- Une réduction du rendement, avec temps de séchage plus longs et une plus grande consommation d'énergie.

Le tableau des systèmes d'évacuation fournit les exigences d'évacuation qui vous aideront à atteindre la meilleure performance de séchage.

Tableau des systèmes d'évacuation

Nombre de virages à 90° ou coudes de conduit	Type de conduit	Clapets de type boîte ou à persiennes	Clapets inclinés
0	Métal rigide	90 pi (27,4 m)	80 pi (24,4 m)
	Métal souple	64 pi (19,5 m)	58 pi (17,7 m)
1	Métal rigide	80 pi (24,4 m)	70 pi (21,3 m)
	Métal souple	58 pi (17,7 m)	52 pi (15,8 m)
2	Métal rigide	70 pi (21,3 m)	60 pi (18,3 m)
	Métal souple	50 pi (15,2 m)	42 pi (12,8 m)

Installation du système d'évacuation

1. Installer le clapet d'évacuation. Calfeutrer au pistolet l'ouverture murale à l'extérieur autour du clapet d'évacuation.
2. Raccorder le conduit d'évacuation au clapet. Le conduit doit être inséré à l'intérieur du clapet. Fixer ensemble le conduit et le clapet avec une bride de 4" (10,2 cm).
3. Acheminer le conduit d'évacuation jusqu'à l'emplacement de la sècheuse. Utiliser l'itinéraire le plus rectiligne possible. Voir "Déterminer l'itinéraire d'acheminement du conduit" dans "Planification du système d'évacuation". Éviter les changements de direction à 90°. Utiliser des brides pour sceller tous les joints. Ne pas utiliser de ruban adhésif pour conduit, des vis ou autres dispositifs de fixation qui se prolongent à l'intérieur du conduit pour fixer celui-ci.

Conduit d'évacuation

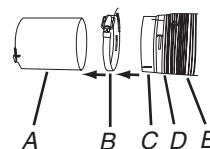
AVERTISSEMENT

Risque du poids excessif

Utiliser deux ou plus de personnes pour déplacer et installer la sècheuse.

Le non-respect de cette instruction peut causer une blessure au dos ou d'autre blessure.

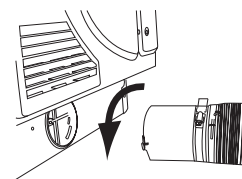
1. Pour protéger le plancher, utiliser un panneau de carton de l'emballage de la sècheuse. Placer l'ensemble du fond de la sècheuse sur la feuille de carton.
2. Faire glisser la sècheuse avec la feuille de carton jusqu'à proximité de son emplacement d'installation final. Laisser suffisamment d'espace pour connecter le conduit d'évacuation.
3. En utilisant le raccord fourni avec la sècheuse, relier le conduit d'évacuation au raccord et fixer solidement avec une bride de fixation de 4" (10,2 cm). Voir l'illustration ci-dessous.



A. Raccord
B. Bride de fixation
C. Raccord d'évacuation
D. Bride de fixation
E. Conduit métallique rigide ou souple

Si on utilise le conduit d'évacuation existant, s'assurer qu'il est propre.

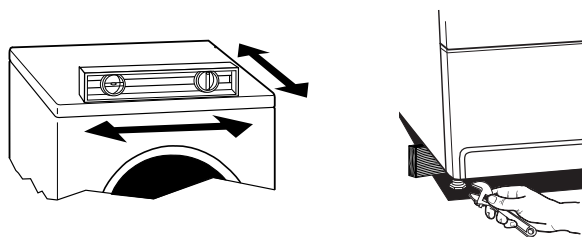
4. Tourner le raccord (en même temps que le conduit d'évacuation) dans le sens antihoraire dans la bouche d'évacuation d'air à l'arrière de la sècheuse.



5. S'assurer que le conduit d'évacuation est fixé au clapet d'évacuation à l'aide d'une bride de fixation de 4" (10,2 cm).
6. Placer la sècheuse à son emplacement final. Ne pas écraser ni pincer le conduit d'évacuation.

Mise à niveau de la sècheuse

Contrôler l'aplomb de la sècheuse. Contrôler l'aplomb tout d'abord transversalement, puis dans le sens avant/arrière.



Si la sècheuse n'est pas de niveau, la déposer sur un bloc de bois. Utiliser une clé à molette pour ajuster les pieds vers le haut ou vers le bas, et vérifier à nouveau si elle est de niveau.

Achever l'installation

1. Vérifier que toutes les pièces sont maintenant installées. S'il reste une pièce, passer en revue les différentes étapes pour découvrir laquelle aurait été oubliée.
2. S'assurer d'avoir récupéré tous les outils.
3. Jeter/recycler tout le matériel d'emballage.
4. Vérifier l'emplacement définitif de la sècheuse. S'assurer que le conduit d'évacuation n'est pas écrasé ou déformé.
5. Vérifier que la sècheuse est bien d'aplomb. Voir "Mise à niveau de la sècheuse".

⚠ AVERTISSEMENT



Risque de choc électrique

Brancher sur une prise à 4 alvéoles reliée à la terre.

Le non-respect de cette instruction peut causer un décès ou un choc électrique.

6. Brancher sur une prise à 4 alvéoles reliée à la terre.
7. Retirer la pellicule de protection transparente sur le rebord avant et tout ruban qui reste sur la sècheuse.
8. Lire la section "Utilisation de la sècheuse".
9. Essuyer soigneusement le tambour de la sècheuse avec un chiffon humide pour éliminer toute trace de poussière.

10. Régler la sècheuse pour un programme de séchage complet avec chaleur (pas le programme de séchage à l'air) de 20 minutes et mettre la sècheuse en marche.

Si la sècheuse ne démarre pas, éteindre la sècheuse et vérifier ce qui suit :

- Les commandes sont réglées à la position de marche ou "On".
- Le bouton de mise en marche a été enfoncé fermement.
- La sècheuse est branchée sur une prise reliée à la terre.
- L'alimentation électrique est connectée.
- Les fusibles sont intacts et serrés, ou le disjoncteur n'est pas déclenché.
- La porte de la sècheuse est fermée.

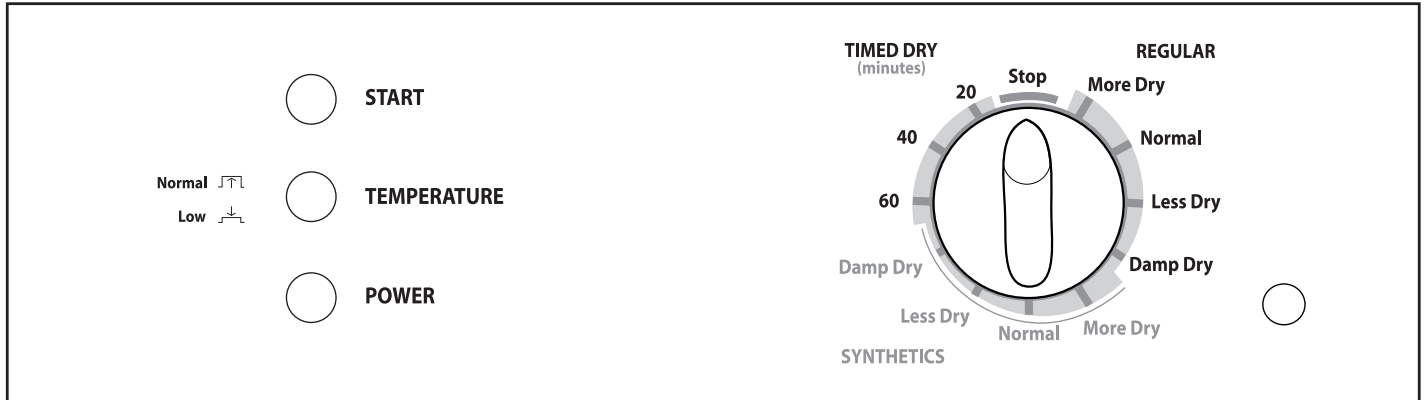
11. Après 5 minutes de fonctionnement, ouvrir la porte de la sècheuse et voir s'il y a de la chaleur. Si la sècheuse est chaude, annuler le programme et fermer la porte.

Si la sècheuse n'est pas chaude à l'intérieur, arrêter la sècheuse et vérifier ce qui suit :

- La sècheuse peut comporter 2 fusibles ou disjoncteurs. Vérifier que les deux fusibles sont intacts et serrés ou que les deux disjoncteurs ne sont pas déclenchés. S'il n'y a toujours pas de chaleur, contacter un électricien qualifié.

REMARQUE : Il est possible que la sècheuse dégage une odeur de brûlé lors du chauffage initial. Cette odeur est normale lorsque l'élément chauffant est utilisé pour la première fois. L'odeur disparaîtra.

UTILISATION DE LA SÉCHEUSE



Mise en marche de la sécheuse

⚠ AVERTISSEMENT



Risque d'explosion

Garder les matières et les vapeurs inflammables, telle que l'essence, loin de la sécheuse.

Ne pas faire sécher un article qui a déjà été touché par un produit inflammable (même après un lavage).

Le non-respect de ces instructions peut causer un décès, une explosion ou un incendie.

⚠ AVERTISSEMENT



Risque d'incendie

Aucune laveuse ne peut complètement enlever l'huile.

Ne pas faire sécher des articles qui ont été salis par tout genre d'huile (y compris les huiles de cuisson).

Ne pas sécher d'articles contenant de la mousse, du caoutchouc ou du plastique dans cette sécheuse.

Le non-respect de ces instructions peut causer un décès ou un incendie.

AVERTISSEMENT : Pour réduire le risque d'incendie, de choc électrique ou de blessures corporelles, lire les INSTRUCTIONS IMPORTANTES DE SÉCURITÉ avant de faire fonctionner cet appareil.

Avant d'utiliser la sécheuse, essuyer le tambour de la sécheuse avec un linge humide pour enlever la poussière accumulée au cours de l'entreposage et de l'expédition.

IMPORTANT : Pour un meilleur rendement, ne pas utiliser de feuilles d'assouplissant de tissu dans cette sécheuse. Vous pouvez utiliser de l'assouplissant de tissu liquide dans la laveuse.

1. Nettoyer le filtre à charpie avant chaque programme. Voir "Nettoyage du filtre à charpie".
2. Charger les vêtements sans les tasser dans la sécheuse et fermer la porte. Ne pas surcharger la sécheuse. Prévoir suffisamment d'espace pour que les vêtements puissent culbuter librement.
3. Appuyer sur le bouton POWER (marche) pour mettre la sécheuse en marche. Le témoin lumineux s'allumera pour indiquer que l'appareil est en marche.
4. Régler le bouton de TEMPÉRATURE pour sélectionner le réglage de température recommandé pour le type de charge à sécher. Voir "Température" dans la section "Commandes".

5. Tourner le bouton de programme au réglage recommandé pour le type de charge à sécher. Voir "Conseils pour le séchage, les programmes et la température".
6. Après un court signal sonore, appuyer sur le bouton START (mise en marche).

Arrêt et remise en marche

Pour arrêter la sécheuse à n'importe quel moment

Tourner le bouton de programme à la position STOP (arrêt) ou ouvrir la porte.

Pour remettre la sécheuse en marche

1. Fermer la porte.
2. Sélectionner un nouveau programme et une nouvelle température (si désiré).
3. À la suite du signal sonore, appuyer sur le bouton START (mise en marche).

Modification des programmes et températures

Pour modifier le programme ou la température après avoir appuyé sur Start

1. Ouvrir la porte de la sècheuse.
2. Appuyer sur le bouton de TEMPÉRATURE pour modifier la température (si désiré).
3. Tourner le bouton de programme à la nouvelle position désirée.
4. À la suite du signal sonore, appuyer sur le bouton START (mise en marche).

Commandes

Le tableau de commande est simple à comprendre et facile à utiliser. Les images ci-dessous décrivent les boutons et les paragraphes définissent la fonction de chacun.

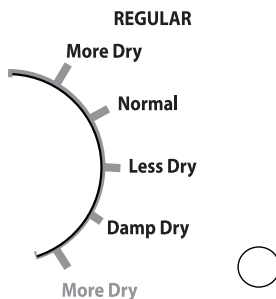
Bouton Power (alimentation)

Ce bouton met l'appareil sous tension et l'éteint. Le témoin lumineux s'allumera pour indiquer que l'appareil est sous tension.



Témoin Lumineux

Ce témoin indique que l'appareil est sous tension, et que l'exécution d'un programme a commencé.



Température

Le bouton de sélection de la température permet de choisir la température de séchage : normale ou basse.

REMARQUE : On doit toujours consulter sur le linge les étiquettes de recommandation pour lavage/séchage, pour déterminer s'il est possible d'utiliser le séchage par culbutage.

Normal

Utiliser la température de séchage «normale» pour les tissus robustes, tels que coton, linge de maison et denim. Si on n'appuie pas sur le bouton de sélection de température, la température normale est sélectionnée par défaut.

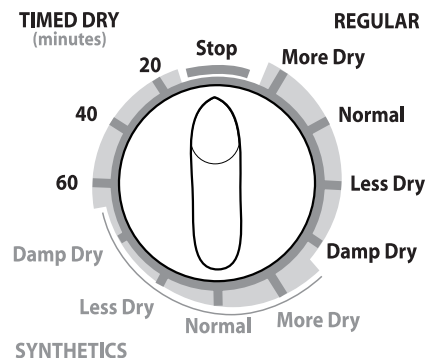
Low (basse)

Utiliser la température de séchage «basse» pour les tissus synthétiques, tels que mélanges de coton/polyester, rayonne, fibres d'acétate, soie lavable ou nylon. Pour sélectionner la température basse, enfoncer le bouton de sélection de température.



Bouton Cycle (programme)

Tourner ce bouton au programme désiré. Le témoin lumineux clignotera pour indiquer qu'un programme a été sélectionné. Voir "Conseils pour séchage, programmes et température".



Position d'arrêt

Tourner le bouton de programme à la position d'arrêt à n'importe quel moment.

Bouton Start (mise en marche)

Après avoir sélectionné un programme et une température appuyer sur ce bouton pour mettre le programme en marche. Le témoin lumineux s'allumera pour indiquer que le programme a commencé.



Conseils pour le séchage, les programmes et la température

Choisir le programme et la température corrects pour la charge.

La sècheuse fait culbuter la charge sans chaleur au cours des quelques dernières minutes de tous les programmes, ce qui permet de saisir les charges plus facilement et de réduire le froissement. Une fois le programme de refroidissement terminé, le témoin lumineux se met à clignoter et un signal sonore de fin de programme se fait entendre pour indiquer que le programme est terminé.

Conseils de séchage

- Suivre les directives sur l'étiquette lorsqu'elles sont disponibles.
- Sortir la charge de la sècheuse aussitôt que le culbutage cesse pour réduire le froissement. Cette action est particulièrement importante pour les tissus à pressage permanent, les tricots et les tissus synthétiques.
- Éviter de faire sécher des vêtements de travail épais avec des tissus plus légers. Il pourrait en résulter un séchage excessif des tissus plus légers et un rétrécissement ou froissement accru.

Conseils pour les programmes et la température

- Utiliser un programme automatique pour faire sécher la plupart des charges.
- Sécher sur une corde à linge les tissus contre-collés ou laminés.

REMARQUE : Pour des questions au sujet des températures de séchage pour diverses charges, consulter les directives sur l'étiquette du produit.

Programmes

Programmes automatiques

Lors de l'utilisation du programme avec détection automatique de l'hygrométrie, un détecteur constitué de deux bandes métalliques détermine le niveau d'assèchement de la charge de linge. Ce dispositif détermine la quantité d'humidité résiduelle dans le linge. Si le linge est encore suffisamment humide, la machine continue à fonctionner. Lorsque le linge s'est suffisamment asséché, le taux d'humidité diminue et le système commande l'avance de la minuterie pour l'exécution des phases suivantes du programme. Lorsque le degré d'assèchement sélectionné est atteint, la sècheuse exécute une période de refroidissement dont la durée peut atteindre 15 minutes.

Les programmes automatiques peuvent être utilisés pour la plupart des charges. Les programmes automatiques donnent les meilleurs résultats de séchage en un temps très court. Le temps de séchage varie selon le type de tissu, la taille de la charge et le réglage du degré de séchage.

Après le séchage de la charge, vérifier le degré de séchage.

- Si la charge est plus sèche que vous le désirez, sélectionner un réglage plus proche de Less Dry (moins sec) la prochaine fois que vous séchez une charge semblable.
- Si une charge n'est pas aussi sèche que vous le désirez, compléter le séchage en utilisant un programme minuté. La prochaine fois que vous séchez une charge semblable, choisir un réglage plus proche de More Dry (plus sec).

Voir le tableau suivant pour les programmes et réglages de température recommandés.

Type de tissu	Programme	Réglage de la température
NORMAL		
Tissus épais en coton et jean	More Dry (plus sec)	Normal
Coton et lin	Normal	Normal
SYNTHÉTIQUES		
Tissus à pressage permanent blancs et grand teint	Normal	Low (Basse)
Articles blancs ou grand teint qui doivent être repassés	Less Dry (moins sec)	Low (Basse)
Tissus en polyester/ acrylique, rayonne, fibre d'acétate	Damp Dry (séchage humide)	Low (Basse)
Soie et nylon lavables	Damp Dry (séchage humide)	Low (Basse)

Séchage minuté

Utiliser ce programme pour obtenir jusqu'à 60 minutes de séchage avec chaleur ou pour achever le séchage des articles encore humides après un programme automatique. Le séchage minuté est aussi utile pour :

- Articles épais et vêtements de travail qui nécessitent un temps de séchage prolongé.
- Articles légers, tels que la lingerie, les chemisiers et les tricots qui nécessitent une durée de séchage courte.

Voir le tableau suivant pour les programmes et réglages de température recommandés.

Type de tissu	Durée (en minutes)	Réglage de la température
Tissus épais en coton et jean	60	Normal
Coton et lin	40	Normal
Tissus à pressage permanent blancs et grand teint	40	Low (Basse)
Articles blancs ou grand teint qui doivent être repassés	40	Low (Basse)
Tissus en polyester/ acrylique, rayonne, fibre d'acétate	40	Low (Basse)
Soie et nylon lavables	40	Low (Basse)

Signal de fin de programme

La sècheuse émet un signal sonore qui indique la fin du programme. Le signal sonore n'est pas réglable et ne peut être désactivé. Le signal est utile pour faire sécher des tissus à pressage permanent, synthétiques et autres articles qui doivent être enlevés de la sècheuse aussitôt qu'elle s'arrête.

Fonction anti-froissement

La fonction Anti-Wrinkle (anti-froissement) aide à éviter que des plis se forment sur les vêtements qui ne sont pas retirés immédiatement à la fin d'un programme. La fonction anti-froissement fait culbuter la charge toutes les minutes jusqu'à ce que le bouton de commande atteigne la position Stop (arrêt) ou que la porte de la sècheuse soit ouverte.

Lorsque la fonction anti-froissement est activée, le signal de fin de programme retentit jusqu'à ce que le bouton de commande atteigne la position Stop (arrêt) ou que la porte de la sècheuse soit ouverte.

ENTRETIEN DE LA SÈCHEUSE

Nettoyage de l'emplacement de la sècheuse

Éviter de laisser des éléments qui pourraient obstruer le débit de combustion et empêcher une bonne ventilation autour de la sècheuse.

⚠ AVERTISSEMENT



Risque d'explosion

Garder les matières et les vapeurs inflammables, telle que l'essence, loin de la sècheuse.

Placer la sècheuse au moins 46 cm (18 po) au-dessus du plancher pour une installation dans un garage.

Le non-respect de ces instructions peut causer un décès, une explosion ou un incendie.

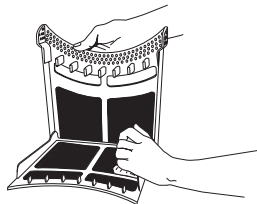
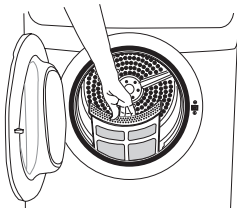
Nettoyage du filtre à charpie

Nettoyage avant chaque charge

Le filtre à charpie se trouve dans l'ouverture de la porte de la sècheuse. Le nettoyer avant chaque charge. Un filtre obstrué de charpie peut augmenter le temps de séchage.

Nettoyage

1. Ouvrir la porte et tirer le filtre à charpie tout droit pour le sortir.



2. Ouvrir le filtre à charpie.
3. Enlever la charpie du filtre en la roulant avec les doigts. Ne pas rincer ni laver le filtre pour enlever la charpie. La charpie mouillée s'enlève difficilement.
4. Fermer le filtre à charpie. Remettre le filtre à charpie fermement en place et fermer la porte.

IMPORTANT :

- Ne pas faire fonctionner la sècheuse avec un filtre à charpie déplacé, endommagé, bloqué ou manquant. Une telle action peut causer un échauffement et des dommages à la sècheuse et aux tissus.

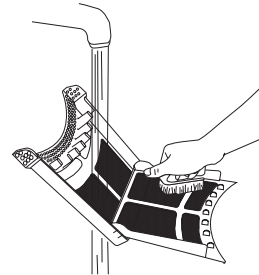
Nettoyage au besoin

Les détergents et les assouplissants de tissu peuvent causer une accumulation de résidus sur le filtre à charpie. Cette accumulation peut augmenter les temps de séchage ou entraîner un arrêt de la sècheuse avant que la charge soit complètement sèche. Si de la charpie tombe du filtre, le filtre est probablement obstrué.

Nettoyer le filtre à charpie avec une brosse en nylon tous les 6 mois ou plus fréquemment s'il devient obstrué par suite d'une accumulation de résidus.

Lavage

1. Enlever la charpie du filtre en la roulant avec les doigts.
2. Mouiller les deux côtés du filtre à charpie avec de l'eau chaude.
3. Mouiller une brosse en nylon avec de l'eau chaude et du détergent liquide. Frotter le filtre à charpie avec la brosse pour enlever l'accumulation de résidus.



4. Rincer à l'eau chaude.
5. Bien sécher le filtre à charpie avec une serviette propre. Le replacer dans la sècheuse.

Nettoyage de l'intérieur de la sècheuse

Nettoyage du tambour de la sècheuse

1. Préparer une pâte avec un détergent à lessive en poudre et de l'eau très chaude.
2. Appliquer la pâte sur un linge doux.

OU

- Appliquer un nettoyant liquide domestique ininflammable sur la surface tachée et frotter avec un linge doux jusqu'à ce que toute la teinture qui reste soit enlevée.
3. Essuyer complètement le tambour avec un linge humide.
 4. Faire culbutter une charge de linge ou de serviettes propres pour sécher le tambour.

REMARQUE : Les vêtements contenant des teintures instables, tels que jeans en denim ou articles en coton de couleur vive, peuvent décolorer l'intérieur de la sècheuse. Ces taches ne sont pas nuisibles à votre sècheuse et ne tacheront pas les vêtements des charges futures. Faire sécher les articles à teinture instable en les tournant à l'envers pour empêcher le transfert de la teinture.

Nettoyage du panneau de commande

Pour nettoyer le panneau de commande, utiliser exclusivement un chiffon chaud et humide.

REMARQUE : Ne pas utiliser de nettoyants abrasifs ou de tampons à récurer sur les surfaces extérieures car ils causeraient des éraflures au fini et pourraient effacer les inscriptions sur le panneau de commande.

Certains essuie-tout peuvent également érafler le fini.

Comment enlever la charpie accumulée

De l'intérieur de la caisse de la sècheuse

Il faut retirer la charpie tous les 2 ans, ou plus souvent, selon l'utilisation de la sècheuse. Le nettoyage doit être effectué par une personne qualifiée.

Du conduit d'évacuation

Il faut retirer la charpie tous les 2 ans, ou plus souvent, selon l'utilisation de la sècheuse.

Précautions à prendre pour les vacances et avant un déménagement

Période de vacances

On ne doit faire fonctionner la sècheuse que lorsqu'on est présent. Si l'utilisateur doit partir en vacances ou n'utilise pas la sècheuse pendant une période prolongée, il convient d'exécuter les opérations suivantes :

1. Débrancher la sècheuse ou déconnecter la source de courant électrique.
2. Nettoyer le filtre à charpie. Voir "Nettoyage du filtre à charpie".

Précautions à prendre avant un déménagement

⚠ AVERTISSEMENT



Risque de choc électrique

Déconnecter la source de courant électrique avant l'entretien.

Replacer pièces et panneaux avant de faire la remise en marche.

Le non-respect de ces instructions peut causer un décès ou un choc électrique.

1. Débrancher le cordon d'alimentation électrique.
2. Veiller à ce que les pieds de nivellement soient fixés solidement à la base de la sècheuse.
3. Utiliser du ruban masque pour fixer la porte de la sècheuse.

DÉPANNAGE

Essayer d'abord les solutions suggérées ici, ce qui vous évitera peut-être le coût d'une visite de service...

Fonctionnement de la sècheuse

La sècheuse ne fonctionne pas

- **Un fusible est-il grillé ou un disjoncteur s'est-il déclenché?**
Il peut y avoir 2 fusibles ou disjoncteurs pour la sècheuse. Vérifier que les deux fusibles sont intacts et serrés ou que les deux disjoncteurs ne sont pas déclenchés. Remplacer le fusible ou réenclencher le disjoncteur. Si le problème persiste, appeler un électricien.
- **Une alimentation électrique correcte est-elle disponible?**
Les sècheuses électriques nécessitent une alimentation électrique de 240 V. Vérifier avec un électricien qualifié.
- **A-t-on utilisé un fusible ordinaire?**
Utiliser un fusible temporisé.
- **La porte de la sècheuse est-elle bien fermée?**
- **A-t-on bien enfoncé le bouton Start (mise en marche)?**
- **Le moteur fonctionne, mais le tambour ne tourne pas?**
La courroie peut être brisée. Faire un appel de service.
- **Le témoin lumineux s'allume-t-il?**
Si ce n'est pas le cas, appuyer sur le bouton POWER (alimentation).

Absence de chaleur

- **Un fusible est-il grillé ou un disjoncteur s'est-il déclenché?**
Les sècheuses électriques utilisent 2 fusibles ou disjoncteurs. Le tambour peut tourner, mais sans chaleur. Remplacer le fusible ou réenclencher le disjoncteur. Si le problème persiste, appeler un électricien.

Bruits inhabituels

- **La sècheuse est-elle restée hors service pendant un certain temps?**
Si la sècheuse n'a pas été utilisée depuis quelque temps, il est possible qu'elle émette des bruits saccadés au cours des premières minutes de fonctionnement.
- **Une pièce de monnaie, un bouton ou un trombone sont-ils coincés entre le tambour et l'avant ou l'arrière de la sècheuse?**
Vérifier les bords avant et arrière du tambour pour voir si de petits objets y sont coincés. Vider les poches avant de faire la lessive.
- **Les quatre pieds sont-ils installés et la sècheuse est-elle d'aplomb de l'avant vers l'arrière et transversalement?**
La sècheuse peut vibrer si elle n'est pas correctement installée. Voir les Instructions d'installation.
- **Les vêtements sont-ils emmêlés ou en boule?**
Une charge en boule rebondit, ce qui fait vibrer la sècheuse. Séparer les articles de la charge et remettre la sècheuse en marche.

Résultats de la sécheuse

Le séchage des vêtements n'est pas satisfaisant, les durées de séchage sont trop longues, la charge est trop chaude

REMARQUE : La puissance thermique de la sécheuse compacte est réduite. On doit prévoir un temps de séchage plus long.

- **Le filtre à charpie est-il obstrué de charpie?**
Le filtre à charpie doit être nettoyé avant chaque charge.

⚠ AVERTISSEMENT



Risque d'incendie

Utiliser un conduit d'évacuation en métal lourd.
Ne pas utiliser un conduit d'évacuation en plastique.
Ne pas utiliser un conduit d'évacuation en feuille de métal.
Le non-respect de ces instructions peut causer un décès ou un incendie.

- **Le conduit d'évacuation ou le clapet d'évacuation à l'extérieur est-il obstrué de charpie, restreignant le mouvement de l'air?**
Faire fonctionner la sécheuse pendant 5 à 10 minutes. Tenir la main sous le clapet d'évacuation à l'extérieur pour vérifier le mouvement de l'air. Si vous ne ressentez pas de l'air en mouvement, nettoyer le système d'évacuation ou remplacer le conduit d'évacuation par un conduit lourd ou flexible en métal. Voir les Instructions d'installation.
- **Le conduit d'évacuation a-t-il la longueur appropriée?**
Vérifier que le conduit d'évacuation n'est pas trop long ou ne comporte pas trop de changements de direction. Un long conduit augmentera les durées de séchage. Voir les Instructions d'installation.

- **Le diamètre du conduit d'évacuation a-t-il la taille correcte?**
Utiliser un composant de 4" (10,2 cm) de diamètre.

⚠ AVERTISSEMENT



Risque d'explosion

Garder les matières et les vapeurs inflammables, telle que l'essence, loin de la sécheuse.

Placer la sécheuse au moins 46 cm (18 po) au-dessus du plancher pour une installation dans un garage.

Le non-respect de ces instructions peut causer un décès, une explosion ou un incendie.

- **La sécheuse se trouve-t-elle dans une pièce où la température ambiante est inférieure à 45°F (7°C)?**
Le bon fonctionnement des programmes de la sécheuse nécessite une température ambiante supérieure à 45°F (7°C).
- **La sécheuse est-elle installée dans un placard?**
Les portes du placard doivent comporter des ouvertures d'aération au sommet et en bas de la porte. Distances de séparation (espace libre) à respecter : 5½" (14 cm) (minimum) à l'arrière de la sécheuse, et 1" (2,5 cm) (recommandation) sur les côtés et à l'avant de la sécheuse. Voir les Instructions d'installation.
- **La charge est-elle trop grosse et trop lourde pour sécher rapidement?**
Séparer la charge pour qu'elle culbute librement.

Temps de programme trop court

⚠ AVERTISSEMENT

Risque du poids excessif

Utiliser deux ou plus de personnes pour déplacer et installer la sécheuse.

Le non-respect de cette instruction peut causer une blessure au dos ou d'autre blessure.

- **Le programme automatique se termine-t-il trop tôt?**
La charge n'est peut-être pas en contact avec les bandes de détection. Régler l'aplomb de la sécheuse.
Modifier le réglage du degré de séchage pour les programmes automatiques. L'augmentation ou la diminution du degré de séchage modifiera la durée de séchage d'un programme.

Charpie sur la charge

- **Le filtre à charpie est-il obstrué?**
Nettoyer le filtre à charpie, avant chaque charge.

Taches sur la charge ou sur le tambour

- Les taches sur le tambour sont dues aux teintures contenues dans les vêtements (les jeans en général). Il n'y aura pas de transfert sur les autres vêtements.

Charges froissées

- **La charge a-t-elle été retirée de la sècheuse à la fin du programme?**
- **La sècheuse a-t-elle été surchargée?**
Faire sécher de plus petites charges qui peuvent culbuter librement.

Odeurs

- **Avez-vous récemment employé peinture, teinture ou vernis dans la pièce où est installée votre sècheuse?**
Si c'est le cas, aérer la pièce. Une fois les odeurs ou émanations disparues, laver et sécher à nouveau les vêtements.
- **La sècheuse est-elle utilisée pour la première fois?**
Le nouvel élément de séchage électrique peut émettre une odeur. L'odeur disparaîtra après le premier programme.

ASSISTANCE OU SERVICE

Avant de faire un appel pour assistance ou service, veuillez vérifier la section "Dépannage". Cette vérification peut vous faire économiser le coût d'une visite de réparation. Si vous avez encore besoin d'aide, suivre les instructions ci-dessous.

Lors d'un appel, veuillez connaître la date d'achat et les numéros au complet de modèle et de série de votre appareil. Ces renseignements nous aideront à mieux répondre à votre demande.

Si vous avez besoin de pièces de rechange

Si vous avez besoin de commander des pièces de rechange, nous vous recommandons d'utiliser seulement les pièces d'origine FSP®. Ces pièces de rechange fonctionneront bien parce qu'elles sont fabriquées selon les mêmes spécifications précises utilisées pour construire chaque nouvel appareil WHIRLPOOL®. Pour trouver des pièces d'origine FSP dans votre région, nous appelons au **1-800-807-6777** ou téléphoner à votre Centre de service désigné le plus proche.

Nos consultants fournissent l'assistance pour :

- Caractéristiques et spécifications à notre gamme complète d'appareils électroménagers.
- Procédés d'utilisation et d'entretien.
- Vente d'accessoires et de pièces de rechange.
- Les références aux concessionnaires, compagnies de service de réparation et distributeurs de pièces de rechange locaux. Les techniciens de service désignés par Whirlpool Canada LP sont formés pour remplir la garantie des produits et fournir un service après la garantie, partout au Canada.

Pour plus d'assistance

Si vous avez besoin de plus d'assistance, vous pouvez écrire à Whirlpool Canada LP en soumettant toute question ou tout problème à :

Centre d'interaction avec la clientèle
Whirlpool Canada LP
1901 Minnesota Court
Mississauga, Ontario L5N 3A7

Dans votre correspondance, veuillez indiquer un numéro de téléphone où on peut vous joindre dans la journée.

GARANTIE DES GROS APPAREILS MÉNAGERS WHIRLPOOL CORPORATION

GARANTIE LIMITÉE DE UN AN

Pendant un an à compter de la date d'achat, lorsque ce gros appareil ménager est utilisé et entretenu conformément aux instructions jointes à ou fournies avec le produit, Whirlpool Corporation ou Whirlpool Canada LP (ci-après désignées "Whirlpool") paiera pour les pièces de rechange FSP® et la main-d'œuvre pour corriger les vices de matériaux ou de fabrication. Le service doit être fourni par une compagnie de service désignée par Whirlpool.

WHIRLPOOL NE PRENDRA PAS EN CHARGE

1. Les visites de service pour rectifier l'installation du gros appareil ménager, montrer à l'utilisateur comment utiliser l'appareil, remplacer ou réparer des fusibles ou rectifier le câblage ou la plomberie du domicile.
2. Les visites de service pour réparer ou remplacer les ampoules électriques de l'appareil, les filtres à air ou les filtres à eau. Ces pièces consommables ne sont pas couvertes par la garantie.
3. Les réparations lorsque le gros appareil ménager est utilisé à des fins autres que l'usage unifamilial normal.
4. Les dommages imputables à : accident, modification, usage impropre ou abusif, incendie, inondation, actes de Dieu, installation fautive ou installation non conforme aux codes d'électricité ou de plomberie, ou l'utilisation de produits non approuvés par Whirlpool.
5. Toute perte d'aliments due à une défaillance du réfrigérateur ou du congélateur.
6. Le coût des pièces de rechange et de la main-d'œuvre pour les appareils utilisés hors des États-Unis ou du Canada.
7. Le ramassage et la livraison. Ce gros appareil ménager est conçu pour être réparé à domicile.
8. Les réparations aux pièces ou systèmes résultant d'une modification non autorisée faite à l'appareil.
9. Les frais de transport pour le service d'un produit dans les régions éloignées.
10. La dépose et la réinstallation de votre appareil si celui-ci est installé dans un endroit inaccessible ou n'est pas installé conformément aux instructions d'installation fournies.

CLAUSE D'EXONÉRATION DE RESPONSABILITÉ AU TITRE DES GARANTIES IMPLICITES; LIMITATION DES RECOURS

LE SEUL ET EXCLUSIF RECOURS DU CLIENT DANS LE CADRE DE LA PRÉSENTE GARANTIE LIMITÉE CONSISTE EN LA RÉPARATION PRÉVUE CI-DESSUS. LES GARANTIES IMPLICITES, Y COMPRIS LES GARANTIES APPLICABLES DE QUALITÉ MARCHANDE ET D'APTITUDE À UN USAGE PARTICULIER, SONT LIMITÉES À UN AN OU À LA PLUS COURTE PÉRIODE AUTORISÉE PAR LA LOI. WHIRLPOOL N'ASSUME AUCUNE RESPONSABILITÉ POUR LES DOMMAGES FORTUITS OU INDIRECTS. CERTAINES JURIDICTIONS NE PERMETTENT PAS L'EXCLUSION OU LA LIMITATION DES DOMMAGES FORTUITS OU INDIRECTS, OU LES LIMITATIONS DE LA DURÉE DES GARANTIES IMPLICITES DE QUALITÉ MARCHANDE OU D'APTITUDE À UN USAGE PARTICULIER, DE SORTE QUE CES EXCLUSIONS OU LIMITATIONS PEUVENT NE PAS S'APPLIQUER DANS VOTRE CAS. CETTE GARANTIE VOUS CONFÈRE DES DROITS JURIDIQUES SPÉCIFIQUES ET VOUS POUVEZ ÉGALEMENT JOUIR D'AUTRES DROITS QUI PEUVENT VARIER D'UNE JURIDICTION À UNE AUTRE.

À l'extérieur du Canada et des 50 États des États-Unis, cette garantie ne s'applique pas. Contacter votre marchand Whirlpool autorisé pour déterminer si une autre garantie s'applique.

Si vous avez besoin de service, voir d'abord la section "Dépannage" du Guide d'utilisation et d'entretien. Après avoir vérifié la section "Dépannage", de l'aide supplémentaire peut être trouvée en vérifiant la section "Assistance ou service" ou en appelant Whirlpool. Aux É.-U., composer le **1-800-253-1301**. Au Canada, composer le **1-800-807-6777**. 8/05

Conservez ce manuel et votre reçu de vente ensemble pour référence ultérieure. Pour le service sous garantie, vous devez présenter un document prouvant la date d'achat ou d'installation.

Inscrivez les renseignements suivants au sujet de votre gros appareil ménager pour mieux vous aider à obtenir assistance ou service en cas de besoin. Vous devrez connaître le numéro de modèle et le numéro de série au complet. Vous trouverez ces renseignements sur la plaque signalétique située sur le produit.

Nom du marchand _____

Adresse _____

Numéro de téléphone _____

Numéro de modèle _____

Numéro de série _____

Date d'achat _____

8578568

© 2005 Whirlpool Corporation.
All rights reserved.
Tous droits réservés.

© Registered Trademark/TM Trademark of Whirlpool, U.S.A., Whirlpool Canada LP Licensee in Canada
© Marque déposée/TM Marque de commerce de Whirlpool, U.S.A., emploi licencié par Whirlpool Canada LP au Canada

9/05
Printed in Italy
Imprimé en Italie