
SKT60* TRIM KIT INSTALLATION INSTRUCTIONS

INSTRUCCIONES DE INSTALACIÓN DEL JUEGO DE MARCOS SKT60*

INSTRUCTIONS D'INSTALLATION DE L'ENSEMBLE DE TRINGLE D'OBTURATION SKT60*

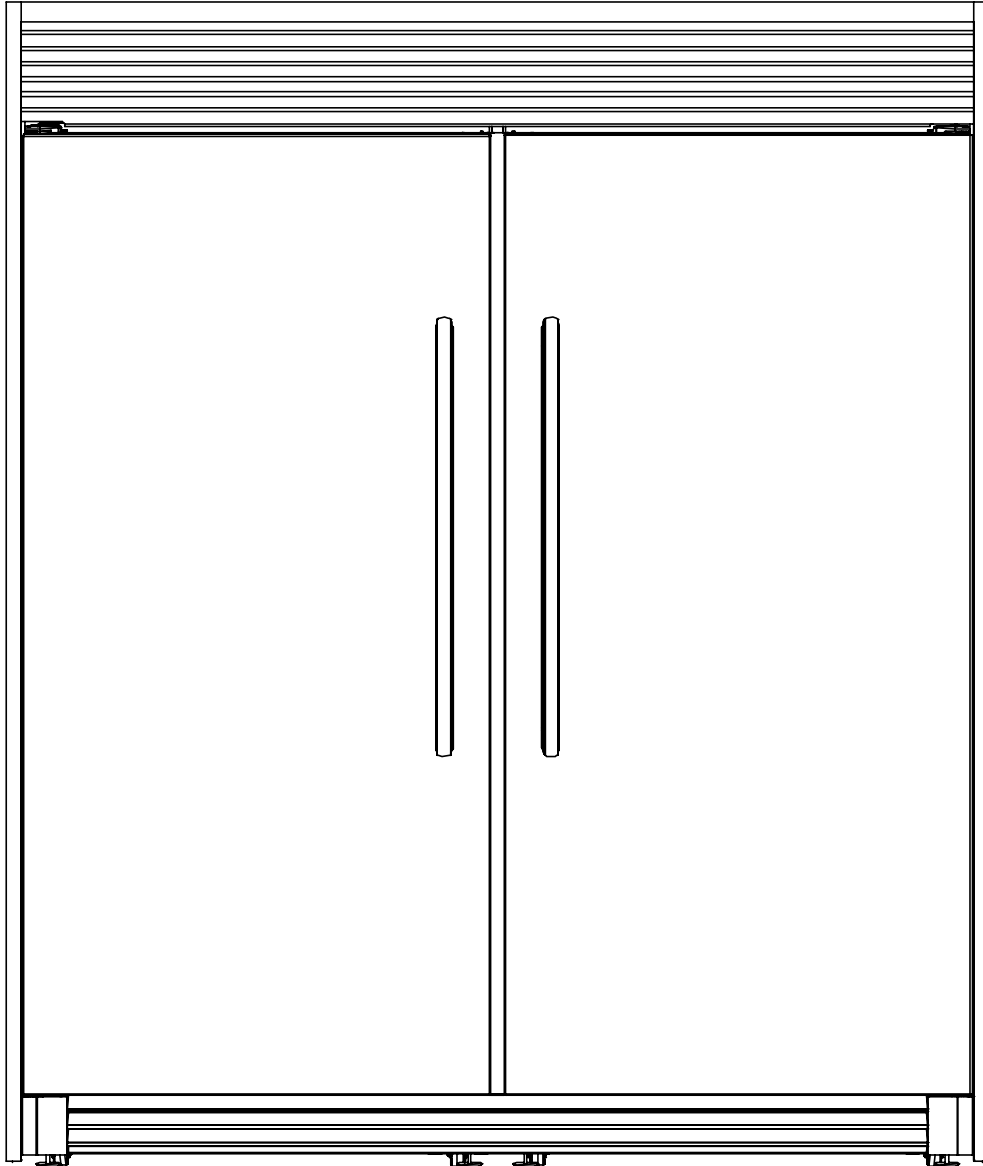


TABLE OF CONTENTS

SKT60* TRIM KIT SAFETY	2	Assemble the Top Grille	4
INSTALLATION REQUIREMENTS	3	Attach the Side Trim Extrusions.....	4
Plan the Installation	3	INSTALLATION INSTRUCTIONS	5
Opening Requirements	3	Install the Top Grille and Trim Assembly	5
Tools Needed	3	Place and Align Refrigerator and Freezer	5
Parts Supplied	3	Move Refrigerator and Freezer to Final Location	6
Electrical Requirements	4	Install the Base Grille.....	7
ASSEMBLY INSTRUCTIONS	4	Care and Cleaning.....	7

ÍNDICE

SEGURIDAD DEL JUEGO DE MARCOS SKT60*	8	Ensamble la rejilla superior	10
REQUISITOS DE INSTALACIÓN	8	Sujete las extrusiones de los marcos laterales.....	10
Planifique la instalación.....	8	INSTRUCCIONES DE INSTALACIÓN	10
Requisitos para la abertura	8	Instale el ensamblaje de la rejilla superior y del marco	10
Herramientas necesarias	9	Coloque y alinee el refrigerador y el congelador	11
Piezas suministradas	9	Mueva el refrigerador y el congelador a su ubicación final	12
Requisitos eléctricos	9	Instale la rejilla de la base	13
INSTRUCCIONES DE ENSAMBLAJE	10	Cuidado y limpieza	13

TABLE DES MATIÈRES

SÉCURITÉ DE L'ENSEMBLE DE TRINGLE D'OBTURATION SKT60*	14	Assemblage de la grille supérieure	16
EXIGENCES D'INSTALLATION	14	Fixation des parties protubérantes de garniture latérale.....	16
Planification de l'installation.....	14	INSTRUCTIONS D'INSTALLATION	16
Exigences d'ouverture	14	Installation de la grille et de la garniture supérieures	16
Outillage nécessaire	15	Installation et alignement du réfrigérateur et du congélateur....	17
Pièces fournies.....	15	Déplacement du réfrigérateur et du congélateur à leur emplacement définitif	18
Spécifications électriques	15	Installation de la grille de la base	19
INSTRUCTIONS D'ASSEMBLAGE	16	Entretien et nettoyage	19

SKT60* TRIM KIT SAFETY

Your safety and the safety of others are very important.

We have provided many important safety messages in this manual and on your appliance. Always read and obey all safety messages.



This is the safety alert symbol.

This symbol alerts you to potential hazards that can kill or hurt you and others.

All safety messages will follow the safety alert symbol and either the word "DANGER" or "WARNING." These words mean:

⚠ DANGER

You can be killed or seriously injured if you don't immediately follow instructions.

⚠ WARNING

You can be killed or seriously injured if you don't follow instructions.

All safety messages will tell you what the potential hazard is, tell you how to reduce the chance of injury, and tell you what can happen if the instructions are not followed.

State of California Proposition 65 Warnings:

WARNING: This product contains one or more chemicals known to the State of California to cause cancer.

WARNING: This product contains one or more chemicals known to the State of California to cause birth defects or other reproductive harm.

INSTALLATION REQUIREMENTS

The SKT60* Trim Kit provides an integrated appearance when installing an all-refrigerator and upright freezer side by side.

Plan the Installation

Plan your installation using these instructions in conjunction with the Use & Care Guides provided with the refrigerator and freezer.

IMPORTANT:

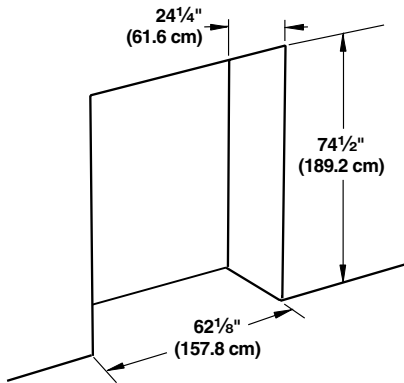
- For ease in handling and alignment, it is recommended that two people install the trim kit.
- Make sure there is enough area, approximately 7 ft (2.1 m) by 10 ft (3.1 m) to assemble parts on the floor.
- Lay a drop cloth on the floor to cushion the parts and cover the flooring.
- These instructions are intended as a general guide only and do not supersede any national or local codes in any way. Compliance with all local, state or national codes pertaining to this type of installation should be determined prior to installation.

Opening Requirements

Make sure the opening is 74½" (189.2 cm) high by 62⅞" (157.8 cm) wide by 24¼" (61.6 cm) deep, as shown.

The inner opening dimensions of the installed trim kit will be 61.31" (155.7 cm) wide by 66.85" (169.7 cm) high.

NOTE: It is possible to make the trim kit fit vertical openings that are less than 74½" (189.2 cm) high. The trim kit can be reduced in height by 1" (2.54 cm) increments. Each grille extrusion is 1" (2.54 cm) in height. For each grille extrusion that is not used, 1" (2.54 cm) must be cut from the base of both the left hand and right hand side extrusions.



Tools Needed

Assemble the required tools and parts before starting installation. Read and follow the instructions provided with any of the required tools listed here. Proper installation is your responsibility.

Tools Needed:

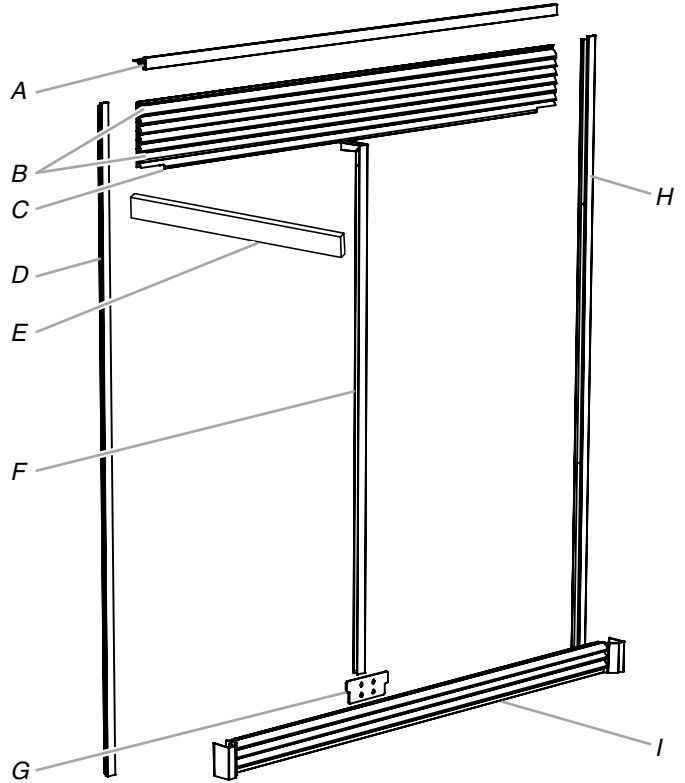
- Cordless drill, ⅛" bit
- Phillips screwdriver
- Flat-blade screwdriver
- Socket drive #2 bits
- Ratchet ½" socket bit
- Carpenter's level
- Tape measure
- Tape (masking or painters)
- Glasses

Parts Supplied

Remove the parts from the trim kit package. Make sure all parts are included.

IMPORTANT:

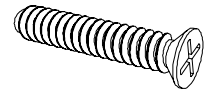
- Do not use sharp objects to remove packaging materials to avoid scratching surfaces.
- The metal parts can be damaged if they are dropped.



Description	(Quantity)	Part Number
A. Extrusion, Top Trim	(1)	3-82842-001
B. Extrusion, Grille	(6)	3-82840-001
C. Extrusion Grille-Notched	(1)	3-82840-002
D. Extrusion, Side Trim - Left	(1)	3-82841-001
E. Plastic Foam Spacer	(1)	3-82841-002
F. Gap Filler Assembly	(1)	4-82968-001
G. Bracket, Front	(1)	3-82967-001
H. Extrusion, Side Trim - Right	(1)	2-82975-001
I. Grille, Bottom Assembly	(1)	2-82984-001



Pan head Phillips screw (7)
Part Number 3-24004-091



Countersunk Phillips screw (2)
Part Number 3-24004-159

Electrical Requirements

⚠ WARNING



Electrical Shock Hazard

Plug into a grounded 3 prong outlet.

Do not remove ground prong.

Do not use an adapter.

Do not use an extension cord.

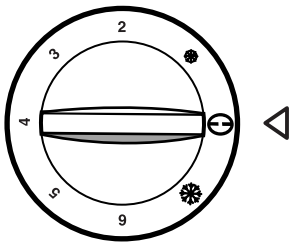
Failure to follow these instructions can result in death, fire, or electrical shock.

Before you move your refrigerator and freezer into their final location, it is important to make sure you have the proper electrical connection.

Recommended grounding method

A 115 Volt, 60 Hz., AC only 15- or 20-amp fused, grounded electrical supply is required. It is recommended that a separate circuit serving only your refrigerator and a separate circuit serving only your freezer be provided. Use an outlet that cannot be turned off by a switch. Do not use an extension cord.

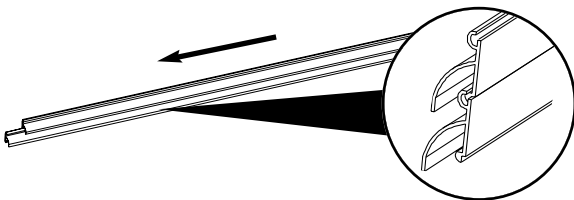
NOTE: Before performing any type of installation, cleaning, or removing a light bulb, turn the Temperature Control to the OFF position as shown and then disconnect the refrigerator from the electrical source.



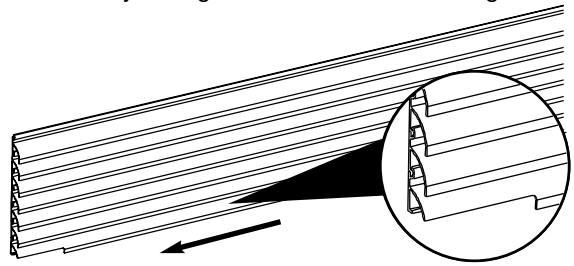
ASSEMBLY INSTRUCTIONS

Assemble the Top Grille

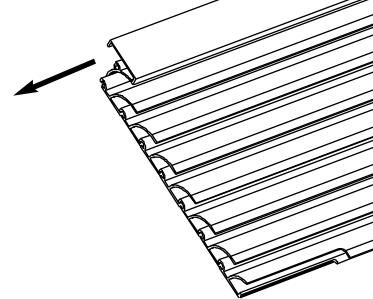
1. Assemble the six grille extrusions by sliding one into the other through the tongue and groove feature as shown.



2. Attach the notched grille extrusion to those already assembled by sliding it into the bottom/lowest grille.



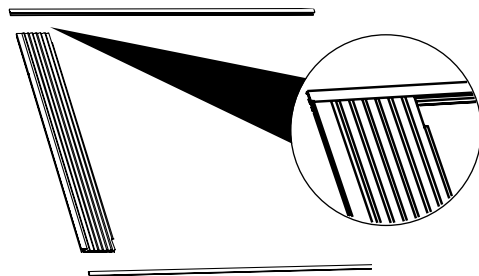
3. Install the top trim extrusion onto the grille assembly by sliding it onto the grille extrusion at the top.



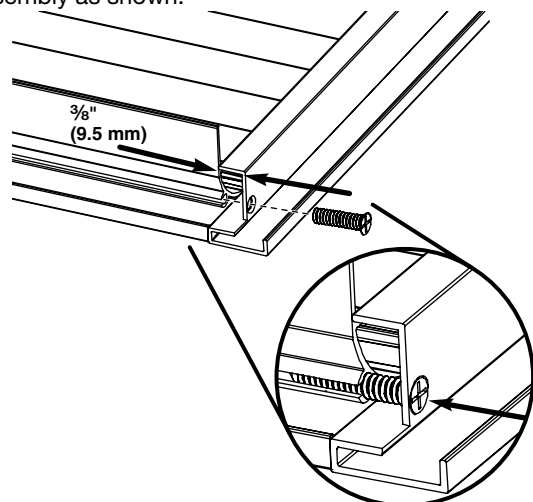
Attach the Side Trim Extrusions

1. Align the side trim extrusions with the sides of the grille assembly.

NOTE: Make sure all the grille extrusions are contained within the channel of the side extrusions and the top surface of the top trim extrusion is flush with the top surface of the sides.



2. Align the hole on the side extrusion with the groove on the top extrusion on each side of the grille assembly. There will be a $\frac{3}{8}$ " (9.5 mm) gap between extrusions.
3. Using the two countersunk Phillips screws, fasten the side trim to the grille assembly. Insert the screw through the predrilled hole and into the groove on each side of the grille assembly as shown.



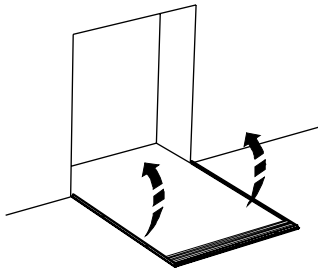
INSTALLATION INSTRUCTIONS

Install the Top Grille and Trim Assembly

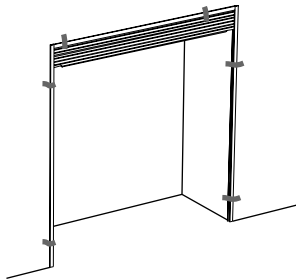
IMPORTANT: The top grille and trim assembly, and your floor can be damaged if the assembly is dropped.

Prepare the Opening

1. Place cardboard or hardboard over the floor at each side of the rough opening where the side trim will meet the floor.
2. Place the top grille and trim assembly face down on the floor centered in front of the rough opening.
3. Using two people, one on each side, lift the trim assembly and position it into place above and on each side of the opening.



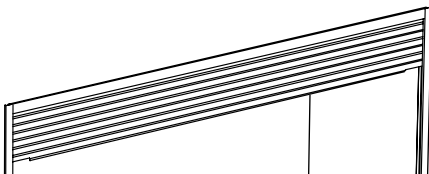
4. Use several pieces of tape to temporarily hold the assembly in place as shown.



5. Mark the trim assembly hole locations around the opening. Remove the tape and lower the trim assembly back to the floor.
6. Using a cordless drill and $\frac{1}{8}$ " diameter drill bit, drill holes where marked.
NOTE: Some cabinetry or wall materials may require predrilled holes using a $\frac{7}{8}$ " diameter drill bit.
7. Repeat steps 3 and 4.

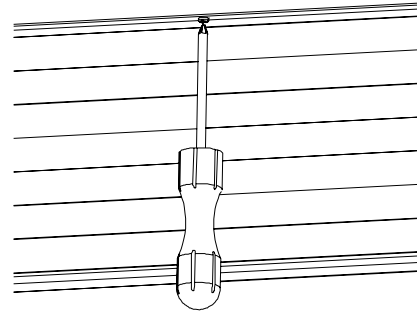
Fasten the Top Trim to the Opening

1. Align the top extrusion against the opening, so that it is tight and flush with the front surface of the wall opening or cabinetry.



2. From below and behind the top trim extrusion, insert a pan head Phillips screw through the predrilled center hole of the top trim and into the wall opening or cabinetry.

NOTE: Do not completely tighten the screw.



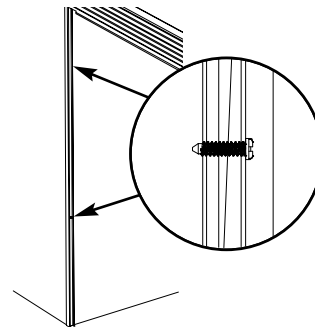
3. Using a carpenter's level, level the top trim, and shim as necessary.

NOTE: Shims are not provided with the trim kit.

4. Using two pan head Phillips screws, fasten the top trim extrusion by inserting a screw through the predrilled holes at each end. Completely tighten the screws.
5. Completely tighten the center screw.

Fasten the Side Trim to the Opening

1. Using a carpenter's level, make sure the sides are plumb, and shim as necessary.
NOTE: Shims are not provided with the trim kit.
2. Using four pan head Phillips screws (two on each side), fasten both the left-hand and right-hand side trim extrusions to the opening or cabinetry. Make sure the trim does not twist.



Place and Align Refrigerator and Freezer

⚠ WARNING

Excessive Weight Hazard

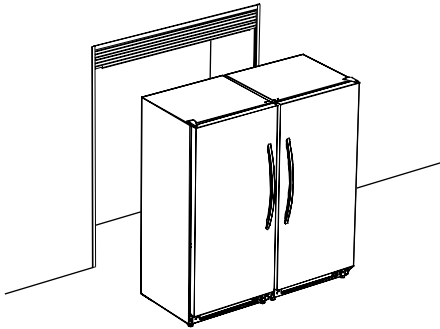
Use two or more people to move and install refrigerator.

Failure to do so can result in back or other injury.

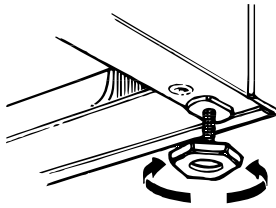
When Moving Your Freezer or Refrigerator:

Your freezer and refrigerator are heavy. When moving the appliance for cleaning or service, be sure to cover the floor with cardboard or hardboard to avoid floor damage. Always pull the appliance straight out when moving it. Do not wiggle or "walk" the appliance when trying to move it, as floor damage could occur.

1. Place the freezer and refrigerator in front of the opening (freezer on the left, refrigerator on the right).



2. Adjust the leveler legs so that each appliance is level and plumb and at the same height as the other appliance.
NOTE: The freezer and refrigerator each have two front leveler legs that are adjustable. The back of each cabinet rests on two fixed supports.
3. Place a leveling tool on top of the cabinet. Check the level first side to side and then front to back.
To raise a corner - Turn the leveler leg clockwise.
To lower a corner - Turn the leveler leg counterclockwise.



4. Repeat Step 3 for the other appliance until both the freezer and refrigerator are level, plumb and at the same height.
5. Adjust the front leveler legs enough to lift the cabinet up off of the floor.
NOTE: If your model is equipped with rollers, the front legs should be lowered enough to lift the rollers off of the floor to ensure that the freezer does not roll forward when the door is opened.

Move Refrigerator and Freezer to Final Location

⚠ WARNING

Excessive Weight Hazard

Use two or more people to move and install refrigerator.

Failure to do so can result in back or other injury.

When Moving Your Freezer or Refrigerator:

Your freezer and refrigerator are heavy. When moving the appliance for cleaning or service, be sure to cover the floor with cardboard or hardboard to avoid floor damage. Always pull the appliance straight out when moving it. Do not wiggle or "walk" the appliance when trying to move it, as floor damage could occur.

IMPORTANT: If the electrical outlets are not centered in the back wall of the opening, move the appliance on the opposite side of the outlets into the opening first.

Move the First Appliance

1. Cover the floor with cardboard or hardboard to avoid floor damage.
2. Slide the first appliance into the opening far enough to connect the power cord to the electrical outlet.

⚠ WARNING



Electrical Shock Hazard

Plug into a grounded 3 prong outlet.

Do not remove ground prong.

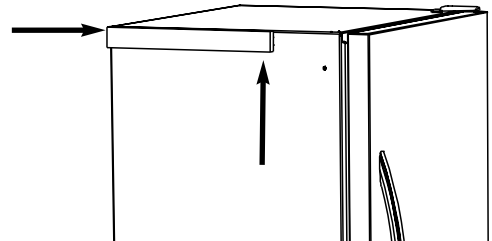
Do not use an adapter.

Do not use an extension cord.

Failure to follow these instructions can result in death, fire, or electrical shock.

3. Plug into a grounded 3 prong outlet.
4. Check the level of the appliance since it may have changed when you moved it into the opening.
5. Attach the plastic foam spacer, to the side of the appliance, so that it is flush with the top and rear edge of the cabinet as shown.

NOTE: The spacer ensures that the two appliances are positioned the correct distance apart from each other.

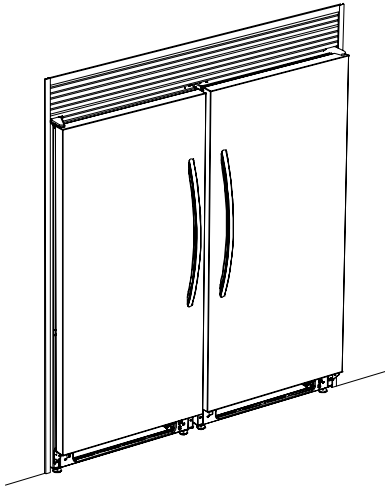


Move the Second Appliance

1. Slide the first appliance into the opening far enough to connect the power cord to the electrical outlet.
2. Plug into a grounded 3 prong outlet.
3. Check the level of the appliance since it may have changed when you moved it into the opening.
NOTE: Depending on the level of the floor, you may need to remove each appliance and readjust several times to achieve a satisfactory alignment.
4. If needed, either door may be adjusted vertically by loosening the three hinge bolts, moving the hinge and retightening the bolts.

NOTE: Provide additional support for the refrigerator door while the hinges are being moved. Do not depend on the door gasket magnets to hold the door in place while you are working.

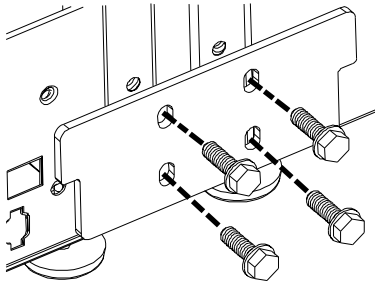
5. Push the refrigerator and freezer fully into the opening.



Install the Base Grille

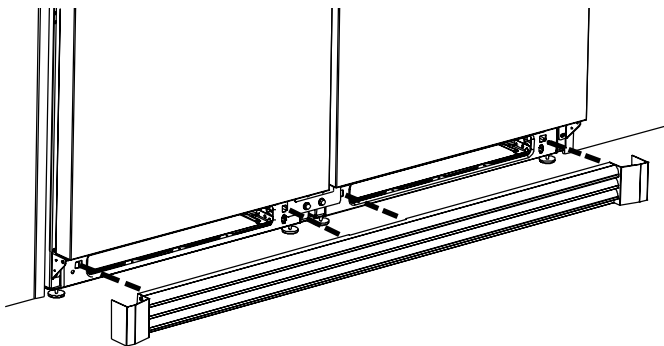
Install the Bracket onto the Cabinets

1. Remove the plastic base grille from each appliance.
2. Remove the two $\frac{5}{16}$ " hex head screws located on the opposite side from the bottom hinge on each cabinet. These will be used to fasten the bracket.
3. Insert one screw through the lower bracket and thread it into the cabinet.
NOTE: Do not completely tighten the screw.
4. Align the bracket holes with the holes in the appliances and install the remaining three screws.
NOTE: Do not completely tighten the screws.
5. Make sure the appliances are still level. Completely tighten all four bracket screws.



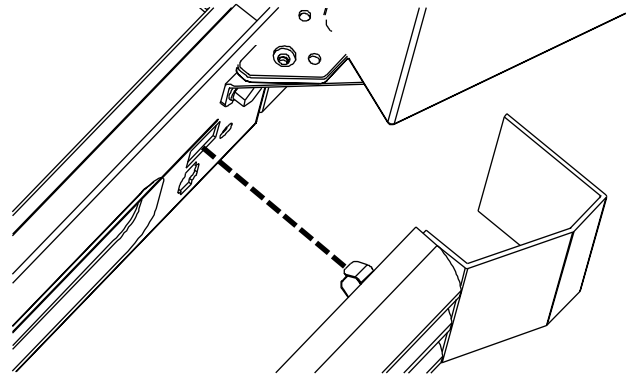
Install the Bottom Grille Assembly

1. Align the four clips on the bottom grille assembly with the square holes in the base of the cabinets.



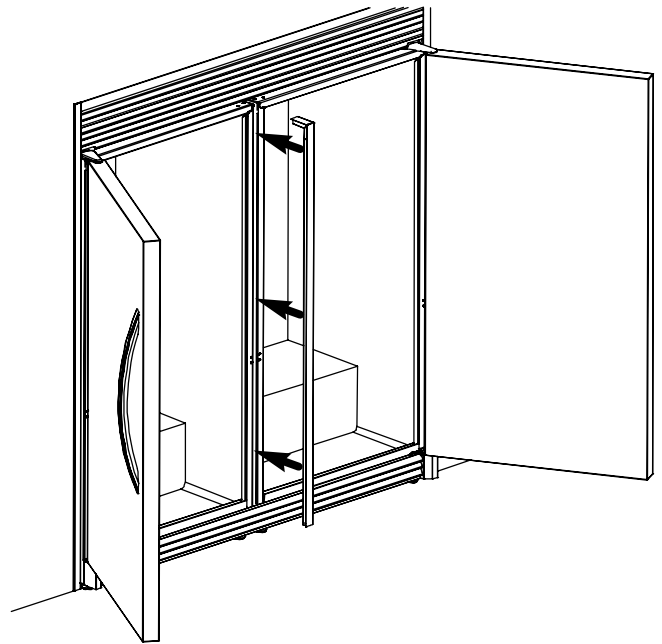
2. Push and snap all the grille clips in place.

NOTE: Make sure the grille clips are fully engaged and that the base grille's side caps are situated outside the hinge bracket on each appliance.



Install the Gap Filler Assembly

1. Place the magnetic gap filler assembly between the refrigerator and freezer to fill in the gap between the appliances.
NOTE: The gap filler should be flush with the tops of the appliance cabinets.



Care and Cleaning

Clean the trim and grille surfaces with a cotton cloth dampened with a solution of mild dish detergent and warm water. Do not use harsh or abrasive cleaners because they will damage the metal surface of the grille and trim.

SEGURIDAD DEL JUEGO DE MARCOS SKT60*

Su seguridad y la seguridad de los demás es muy importante.

Hemos incluido muchos mensajes importantes de seguridad en este manual y en su electrodoméstico. Lea y obedezca siempre todos los mensajes de seguridad.



Este es el símbolo de advertencia de seguridad.

Este símbolo le llama la atención sobre peligros potenciales que pueden ocasionar la muerte o una lesión a usted y a los demás.

Todos los mensajes de seguridad irán a continuación del símbolo de advertencia de seguridad y de la palabra "PELIGRO" o "ADVERTENCIA". Estas palabras significan:

⚠ PELIGRO

Si no sigue las instrucciones de inmediato, usted puede morir o sufrir una lesión grave.

⚠ ADVERTENCIA

Si no sigue las instrucciones, usted puede morir o sufrir una lesión grave.

Todos los mensajes de seguridad le dirán el peligro potencial, le dirán cómo reducir las posibilidades de sufrir una lesión y lo que puede suceder si no se siguen las instrucciones.

Advertencias de la Proposición 65 del estado de California:

ADVERTENCIA: Este producto contiene una o más sustancias químicas identificadas por el estado de California como causantes de cáncer.

ADVERTENCIA: Este producto contiene una o más sustancias químicas identificadas por el estado de California como causantes de defectos congénitos o algún otro tipo de daños en la función reproductora.

REQUISITOS DE INSTALACIÓN

El juego de marcos SKT60* provee una apariencia de integración al instalarlo con un refrigerador (sin congelador) y un congelador vertical lado a lado.

Planifique la instalación

Planifique la instalación siguiendo estas instrucciones conjuntamente con las Guías de uso y cuidado provistas con el refrigerador y el congelador.

IMPORTANTE:

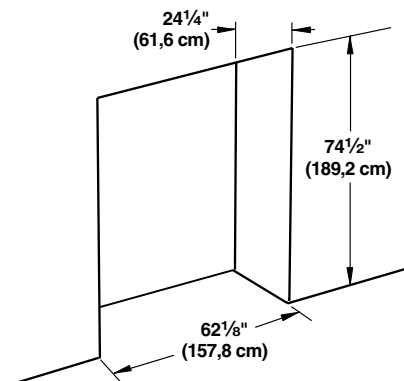
- Es recomendable que dos personas instalen el juego de marcos, para facilitar el manejo y la alineación.
- Cerciórese de que el área sea lo suficientemente grande, de aproximadamente 7 pies (2,1 m) por 10 pies (3,1 m) para ensamblar las piezas en el piso.
- Coloque una cubierta en el piso para proteger las piezas y el piso.
- Estas instrucciones sirven como guía general solamente y no sustituyen de ninguna manera las normas nacionales o locales. La conformidad con todas las normas locales, estatales o nacionales relacionadas con este tipo de instalación debe ser constatada antes de realizarse la instalación.

Requisitos para la abertura

Cerciórese de que la abertura tenga 74½" (189,2 cm) de altura por 62 1/8" (157,8 cm) de ancho por 24¼" (61,6 cm) de profundidad, como se muestra.

Las dimensiones de la abertura interior del marco instalado serán de 61,31" (155,7 cm) de ancho por 66,85" (169,7 cm) de altura.

NOTA: Es posible hacer que el juego de marco encaje en aberturas verticales que sean menores de 74½" (189,2 cm) de alto. Puede reducirse la altura del juego de marcos en decrementos de 1" (2,54 cm). Cada extrusión de rejilla tiene una altura de 1" (2,54 cm). Por cada extrusión de rejilla que no se use, deberá cortarse 1" (2,54 cm) de la base de las extrusiones del lado izquierdo y del lado derecho.



Herramientas necesarias

Reúna las herramientas y piezas necesarias antes de comenzar la instalación. Lea y siga las instrucciones provistas con cualquiera de las herramientas necesarias enlistadas aquí. La instalación correcta es su responsabilidad.

Herramientas necesarias:

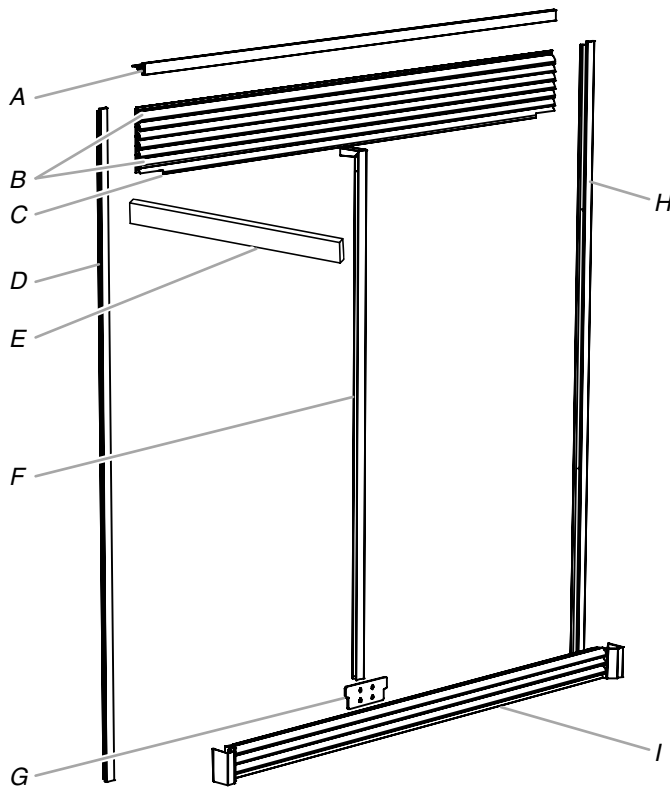
- Taladro inalámbrico y broca de 1/8"
- Destornillador Phillips
- Destornillador de hoja plana
- Brocas N° 2 para llave de cubo
- Broca de 1/2" para llave de trinquete
- Nivel de carpintero
- Cinta de medir
- Cinta adhesiva (protectora o para pintores)
- Anteojos protectores

Piezas suministradas

Saque las piezas del paquete del juego de marcos. Cerciérese de que estén todas las piezas.

IMPORTANTE:

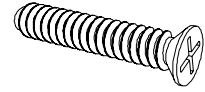
- Para evitar rayar las superficies, no use objetos filosos para quitar los materiales de empaque.
- Las piezas de metal pueden dañarse si se caen.



Descripción	(Cantidad)	Número de pieza
A. Extrusión del marco superior	(1)	3-82842-001
B. Extrusión de la rejilla	(6)	3-82840-001
C. Extrusión con muesca de la rejilla	(1)	3-82840-002
D. Extrusión del marco lateral izquierdo	(1)	3-82841-001
E. Espaciador de espuma de plástico	(1)	3-82841-002
F. Ensamblaje del tapajuntas	(1)	4-82968-001
G. Soporte frontal	(1)	3-82967-001
H. Extrusión del marco lateral derecho	(1)	2-82975-001
I. Ensamblaje de la rejilla inferior	(1)	2-82984-001



Tornillos Phillips de cabeza de cono achatado (7)
Pieza número 3-24004-091



Tornillos Phillips avellanados (2)
Pieza número 3-24004-159

Requisitos eléctricos

⚠ ADVERTENCIA



Peligro de Choque Eléctrico

Conecte a un contacto de pared de conexión a tierra de 3 terminales.

No quite la terminal de conexión a tierra.

No use un adaptador.

No use un cable eléctrico de extensión.

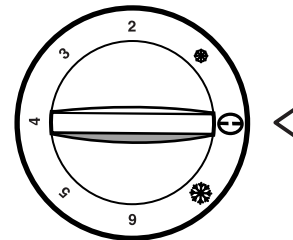
No seguir estas instrucciones puede ocasionar la muerte, incendio o choque eléctrico.

Antes de mover el refrigerador y el congelador a su ubicación final, es importante asegurarse que tiene la conexión eléctrica adecuada.

Método de conexión a tierra recomendado

Se requiere una fuente de energía eléctrica de 115 Voltios, 60 Hz., CA solamente y con fusibles de 15 ó 20 amperios, conectada a tierra. Se recomienda utilizar un circuito separado sólo para el refrigerador y otro circuito separado sólo para el congelador. Use una toma de corriente que no se pueda apagar con un interruptor. No use un cable eléctrico de extensión.

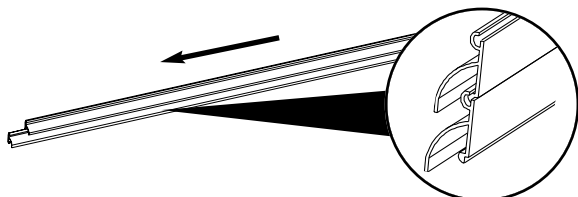
NOTA: Antes de realizar cualquier tipo de instalación, limpieza o de quitar un foco de luz, gire el control de Temperature (Temperatura) hacia la posición OFF (Apagado) como se muestra, y luego desconecte el refrigerador de la fuente de energía.



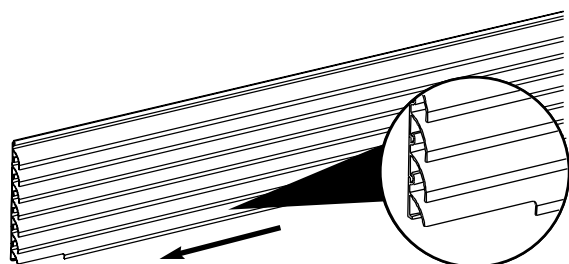
INSTRUCCIONES DE ENSAMBLAJE

Ensamble la rejilla superior

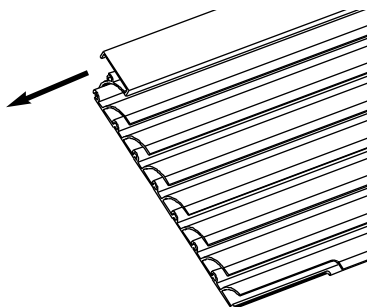
1. Ensamble las seis extrusiones de la rejilla deslizándola una dentro de la otra a través de la lengüeta y la ranura, como se muestra.



2. Sujete la extrusión con ranuras de la rejilla a las que ya están ensambladas, deslizándola dentro de la rejilla inferior/de más abajo.



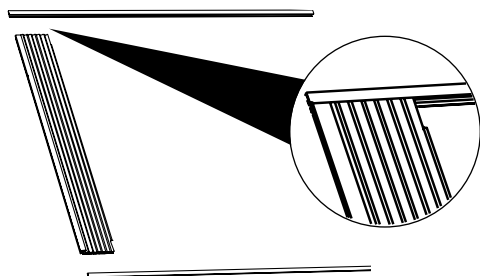
3. Instale la extrusión del marco superior sobre el ensamblaje de la rejilla, deslizándola sobre la extrusión de la rejilla que está en la parte superior.



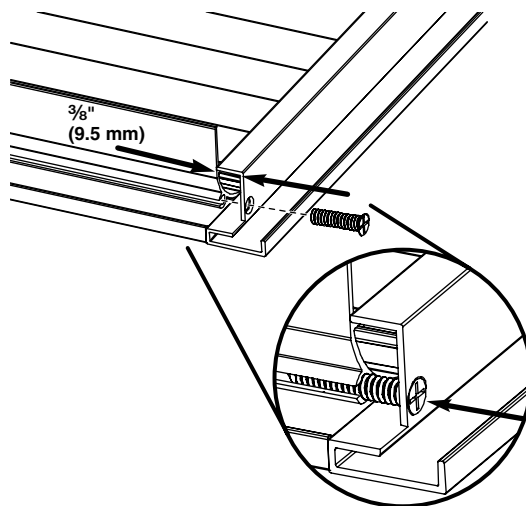
Sujete las extrusiones de los marcos laterales

1. Alinee las extrusiones de los marcos laterales con los lados del ensamblaje de la rejilla.

NOTA: Cerciórese de que todas las extrusiones de la rejilla estén dentro del canal de las extrusiones laterales y que la superficie superior de la extrusión del marco superior esté a escuadra con la superficie superior de los lados.



2. Alinee el orificio que está en la extrusión lateral con la ranura que está en la extrusión superior, a cada lado del ensamblaje de la rejilla. Habrá un espacio de $\frac{3}{8}$ " (9,5 mm) entre las extrusiones.
3. Sujete el marco lateral al ensamblaje de la rejilla con dos tornillos avellanados Phillips. Inserte el tornillo dentro de la rejilla, a cada lado del ensamblaje de la misma, a través del orificio taladrado previamente, como se muestra.



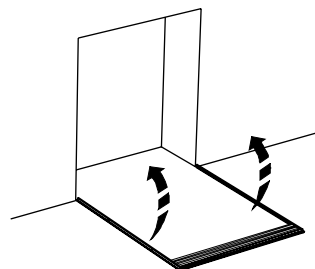
INSTRUCCIONES DE INSTALACIÓN

Instale el ensamblaje de la rejilla superior y del marco

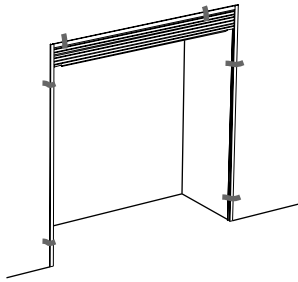
IMPORTANTE: Si se cae el ensamblaje de la rejilla y el marco superior, es posible que se dañen y que se dañe el piso.

Preparación de la abertura

1. Coloque un pedazo de cartón o madera dura sobre el piso, a cada lado de la abertura aproximada en donde el marco lateral se encuentra con el piso.
2. Coloque el ensamblaje de la rejilla superior y del marco boca abajo sobre el piso, centrado frente a la abertura aproximada.
3. Con la ayuda de dos personas, una a cada lado, levante el ensamblaje del marco y colóquelo en su lugar encima y a cada lado de la abertura.



- Sujete el ensamblaje temporalmente con varios trozos de cinta adhesiva, como se muestra.



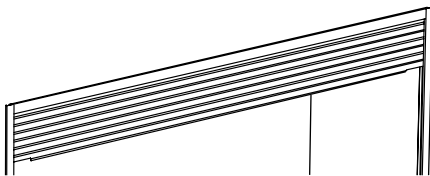
- Marque las ubicaciones de los orificios del ensamblaje del marco alrededor de la abertura. Quite la cinta adhesiva y baje el ensamblaje del marco nuevamente al piso.
- Taladre orificios en los lugares marcados con un taladro inalámbrico y una broca de 1/8" de diámetro.

NOTA: Algunos armarios o materiales para la pared pueden necesitar taladrar los orificios previamente, usando una broca de 7/8" de diámetro.

- Repita los pasos 3 y 4.

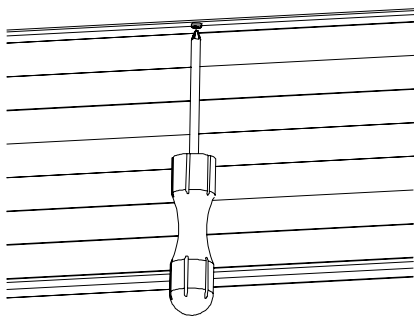
Sujete el marco superior a la abertura

- Alinee la extrusión superior contra la abertura, de manera que quede apretada y a escuadra con la superficie frontal de la abertura o los armarios de la pared.



- Desde debajo y detrás de la extrusión del marco superior, inserte un tornillo Phillips de cabeza de cono achatado dentro de la abertura o los armarios de la pared a través del orificio central del marco superior taladrado previamente.

NOTA: No apriete el tornillo por completo.



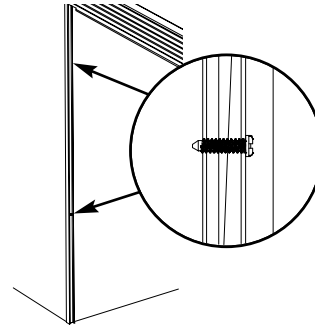
- Nivele el marco superior con un nivel de carpintero y coloque calzas si es necesario.

NOTA: No se proveen calzas con el juego del marco.

- Sujete la extrusión del marco superior con dos tornillos Phillips de cabeza de cono achatado, insertando un tornillo a través de los orificios taladrados previamente en cada extremo. Apriete por completo los tornillos.
- Apriete por completo el tornillo central.

Sujete el marco lateral a la abertura

- Cerchiórese de que los lados estén a plomo usando un nivel de carpintero y use calzas si es necesario.
NOTA: No se proveen calzas con el juego del marco.
- Sujete las extrusiones del lado izquierdo y derecho del marco a la abertura o a los armarios usando cuatro tornillos Phillips de cabeza de cono achatado (dos a cada lado). Cerchiórese de que el marco no se tuerza.



Coloque y alinee el refrigerador y el congelador

⚠ ADVERTENCIA

Peligro de Peso Excesivo

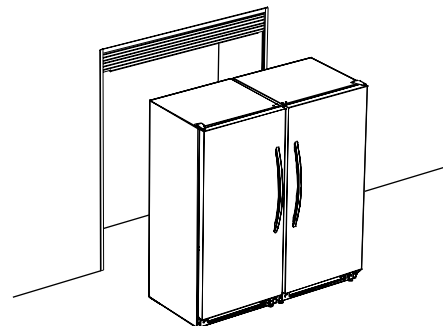
Use dos o más personas para mover e instalar el refrigerador.

No seguir esta instrucción puede ocasionar una lesión en la espalda u otro tipo de lesiones.

Cómo mover su congelador o su refrigerador:

Su congelador y su refrigerador son pesados. Cuando mueva el electrodoméstico para limpiarlo o para darle servicio, cerchiórese de cubrir el piso con cartón o madera para evitar daños en el mismo. Al mover el electrodoméstico, siempre tire directamente hacia afuera. No menee el electrodoméstico de lado a lado ni lo haga "caminar" cuando lo trate de mover ya que podría dañar el piso.

- Coloque el congelador y el refrigerador frente a la abertura (el congelador a la izquierda y el refrigerador a la derecha).



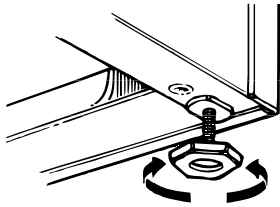
2. Regule las patas niveladoras de modo que cada aparato quede nivelado, a plomo y a la misma altura que el otro aparato.

NOTA: El congelador y el refrigerador tienen dos patas niveladoras frontales cada uno, las cuales pueden regularse. La parte posterior de cada carcasa descansa en los dos soportes fijos.

3. Coloque una herramienta para nivelar encima de la carcasa. Verifique la nivelación, primero de lado a lado y luego del frente hacia atrás.

Para levantar una esquina - Gire la pata niveladora hacia la derecha.

Para bajar una esquina - Gire la pata niveladora hacia la izquierda.



4. Repita el Paso 3 para el otro aparato hasta que tanto el congelador como el refrigerador estén nivelados, a plomo y a la misma altura.
5. Regule las patas niveladoras delanteras lo necesario para levantar la carcasa del suelo.
NOTA: Si su modelo viene con ruedecillas, deberán bajarse las patas delanteras lo suficiente como para levantar las ruedecillas del suelo para asegurarse de que el congelador no va a rodar hacia adelante cuando se abra la puerta.

Mueva el refrigerador y el congelador a su ubicación final

⚠ ADVERTENCIA

Peligro de Peso Excesivo

Use dos o más personas para mover e instalar el refrigerador.

No seguir esta instrucción puede ocasionar una lesión en la espalda u otro tipo de lesiones.

Cómo mover su congelador o su refrigerador:

Su congelador y su refrigerador son pesados. Cuando mueva el electrodoméstico para limpiarlo o para darle servicio, cerciórese de cubrir el piso con cartón o madera para evitar daños en el mismo. Al mover el electrodoméstico, siempre tire directamente hacia afuera. No menee el electrodoméstico de lado a lado ni lo haga "caminar" cuando lo trate de mover ya que podría dañar el piso.

IMPORTANTE: Si los contactos eléctricos no están centrados en la pared posterior de la abertura, mueva el aparato que esté en el lado opuesto a los contactos, primero dentro de la abertura.

Mueva el primer aparato

1. Cubra el piso con cartón o madera para evitar daños en el mismo.
2. Deslice el primer aparato dentro de la abertura lo suficiente como para conectar el cable eléctrico al contacto eléctrico.

⚠ ADVERTENCIA



Peligro de Choque Eléctrico

Conecte a un contacto de pared de conexión a tierra de 3 terminales.

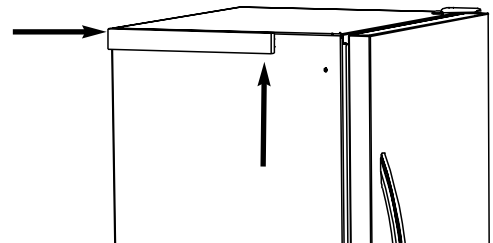
No quite la terminal de conexión a tierra.

No use un adaptador.

No use un cable eléctrico de extensión.

No seguir estas instrucciones puede ocasionar la muerte, incendio o choque eléctrico.

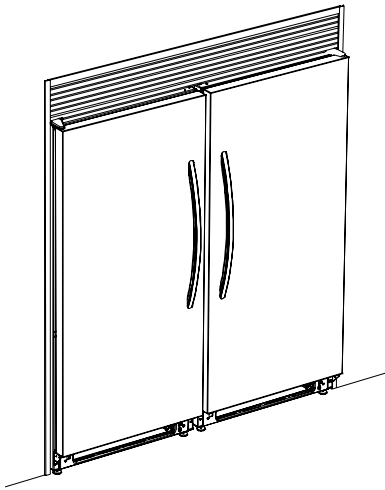
3. Conecte a un contacto de pared de conexión a tierra de 3 terminales.
4. Revise que el aparato esté nivelado, ya que esto puede haber cambiado cuando usted lo movió en la abertura.
5. Sujete el espaciador de espuma de plástico, en el lado del aparato, de modo que quede a escuadra con el borde superior y posterior de la carcasa, como se muestra.
NOTA: El espaciador asegura que los dos aparatos estén ubicados a la distancia adecuada uno del otro.



Mueva el segundo aparato

1. Deslice el primer aparato dentro de la abertura lo suficiente como para conectar el cable eléctrico al contacto eléctrico.
2. Conecte a un contacto de pared de conexión a tierra de 3 terminales.
3. Revise que el aparato esté nivelado, ya que esto puede haber cambiado cuando usted lo movió en la abertura.
NOTA: Según la nivelación del piso, es posible que necesite sacar cada aparato y volver a regularlo varias veces, para obtener una alineación satisfactoria.
4. De ser necesario, cualquier puerta puede regularse verticalmente aflojando los tres pernos de la bisagra, moviendo la bisagra y volviendo a apretar los pernos.
NOTA: Mientras quita las bisagras siempre disponga de un soporte adicional para la puerta del refrigerador. No se confíe en que los imanes de la junta de las puertas van a sostener la puerta en su lugar mientras trabaja.

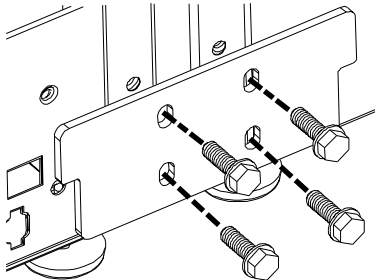
- Empuje el refrigerador y el congelador por completo dentro de la abertura.



Instale la rejilla de la base

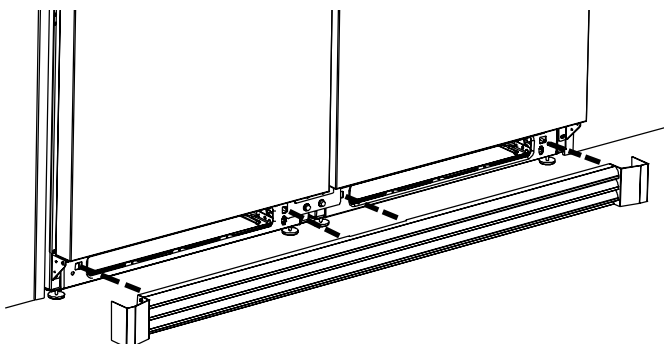
Instale el soporte sobre las carcavas

- Saque la rejilla de la base de plástico de cada aparato.
 - Quite los dos tornillos de cabeza hexagonal de $\frac{5}{16}$ " que están ubicados en el lado opuesto de la bisagra inferior, sobre cada armario. Se usarán esos mismos para asegurar el soporte.
 - Inserte un tornillo a través del soporte inferior y enrósquelo en la carcava.
- NOTA:** No apriete el tornillo por completo.
- Alinee los orificios del soporte con los orificios en los aparatos e instale los tres tornillos restantes.
- NOTA:** No apriete los tornillos por completo.
- Cerciórese de que los aparatos estén todavía nivelados y apriete por completo los cuatro tornillos del soporte.



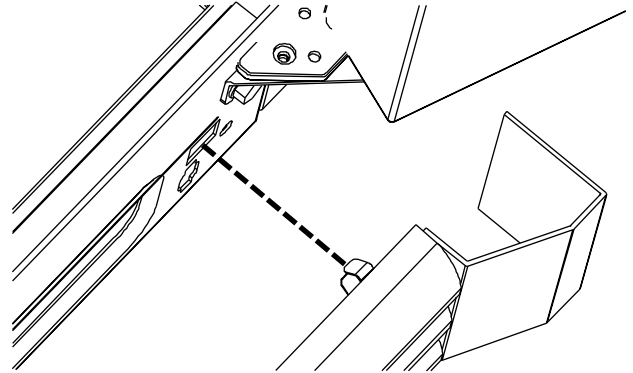
Instale el ensamblaje de la rejilla inferior

- Alinee los cuatro sujetadores del ensamblaje de la rejilla inferior con los cuatro orificios cuadrados que están en la base de las carcavas.



- Encaje a presión todos los sujetadores de la rejilla en su lugar.

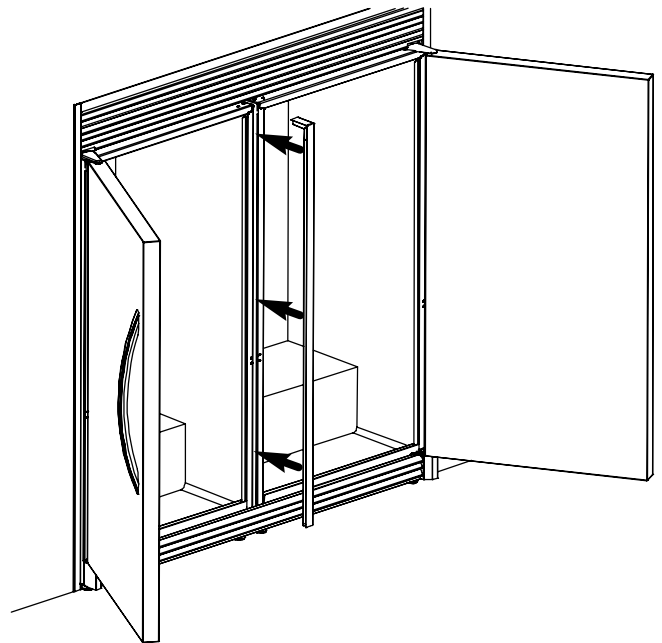
NOTA: Cerciórese de que los sujetadores de la rejilla estén enganchados por completo y de que las cubiertas laterales de la rejilla de la base estén situadas fuera del soporte de la bisagra, en cada aparato.



Instalación del ensamblaje del tapajuntas

- Coloque el ensamblaje del tapajuntas magnético entre el refrigerador y el congelador para llenar el espacio entre los aparatos.

NOTA: El tapajuntas deberá estar a escuadra con la parte superior de las carcavas de los aparatos.



Cuidado y limpieza

Limpie las superficies del marco y la rejilla con un paño de algodón humedecido con una solución de detergente suave para platos y agua tibia. No use limpiadores ásperos o abrasivos, ya que pueden dañar la superficie de metal de la rejilla y el marco.

SÉCURITÉ DE L'ENSEMBLE DE TRINGLE D'OBTURATION SKT60*

Votre sécurité et celle des autres est très importante.

Nous donnons de nombreux messages de sécurité importants dans ce manuel et sur votre appareil ménager. Assurez-vous de toujours lire tous les messages de sécurité et de vous y conformer.



Voici le symbole d'alerte de sécurité.

Ce symbole d'alerte de sécurité vous signale les dangers potentiels de décès et de blessures graves à vous et à d'autres.

Tous les messages de sécurité suivront le symbole d'alerte de sécurité et le mot "DANGER" ou "AVERTISSEMENT". Ces mots signifient :

⚠ DANGER

Risque possible de décès ou de blessure grave si vous ne suivez pas immédiatement les instructions.

⚠ AVERTISSEMENT

Risque possible de décès ou de blessure grave si vous ne suivez pas les instructions.

Tous les messages de sécurité vous diront quel est le danger potentiel et vous disent comment réduire le risque de blessure et ce qui peut se produire en cas de non-respect des instructions.

Avertissements de la proposition 65 de l'État de Californie :

AVERTISSEMENT : Ce produit contient au moins un produit chimique connu par l'État de Californie pour être à l'origine de cancers.

AVERTISSEMENT : Ce produit contient au moins un produit chimique connu par l'État de Californie pour être à l'origine de malformations et autres déficiences de naissance.

EXIGENCES D'INSTALLATION

L'ensemble de tringle d'obturation SKT60* permet d'uniformiser l'apparence des appareils lorsqu'on installe côte-à-côte, un réfrigérateur à une porte et un congélateur vertical.

Planification de l'installation

Planifier l'installation en s'appuyant sur ces instructions et sur les guides d'utilisation et d'entretien fournis avec le réfrigérateur et le congélateur.

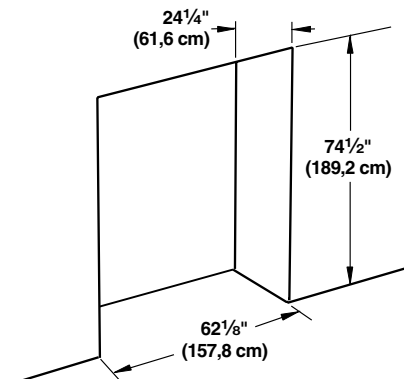
IMPORTANT :

- Pour faciliter la manutention et l'alignement, on recommande que l'installation l'ensemble de tringle d'obturation se fasse avec l'aide de deux personnes.
- S'assurer que l'on dispose de suffisamment d'espace pour l'assemblage des pièces sur le plancher - environ 7 pi (2,1 m) par 10 pi (3,1 m).
- Placer une toile de protection sur le plancher pour protéger les pièces et le revêtement de sol.
- Ces instructions ne constituent qu'un guide général et ne peuvent en aucun cas être substituées aux prescriptions d'un code national ou local applicable. Avant d'entreprendre l'installation, on doit déterminer les critères de conformité de l'installation aux prescriptions de tout code national, provincial ou local.

Exigences d'ouverture

S'assurer que la taille de la cavité d'encastrement correspond aux dimensions suivantes : Hauteur 74½" (189,2 cm); largeur 24¼" (61,6 cm) et profondeur 24¼" (61,6 cm), tel qu'illustré. Les dimensions d'ouverture intérieures de l'ensemble de tringle d'obturation une fois installée sont de 61,31" (155,7 cm) de largeur par 66,85" (169,7 cm) de hauteur.

REMARQUE : Il est possible d'adapter la tringle d'obturation à des ouvertures verticales d'une hauteur inférieure à 74½" (189,2 cm). La taille de l'ensemble de tringle d'obturation peut être réduite par mesures de 1" (2,54 cm). Chaque partie protubérante de grille comporte une hauteur de 1" (2,54 cm). Pour chaque partie protubérante de grille non utilisée, on doit raccourcir la base des parties protubérantes de gauche et de droite de 1" (2,54 cm).



Outillage nécessaire

Réunir les outils et pièces nécessaires avant de commencer l'installation. Lire et suivre les instructions fournies avec chacun des outils mentionnés dans cette liste. C'est à l'utilisateur qu'incombe la responsabilité de réaliser une installation correcte.

Outillage nécessaire :

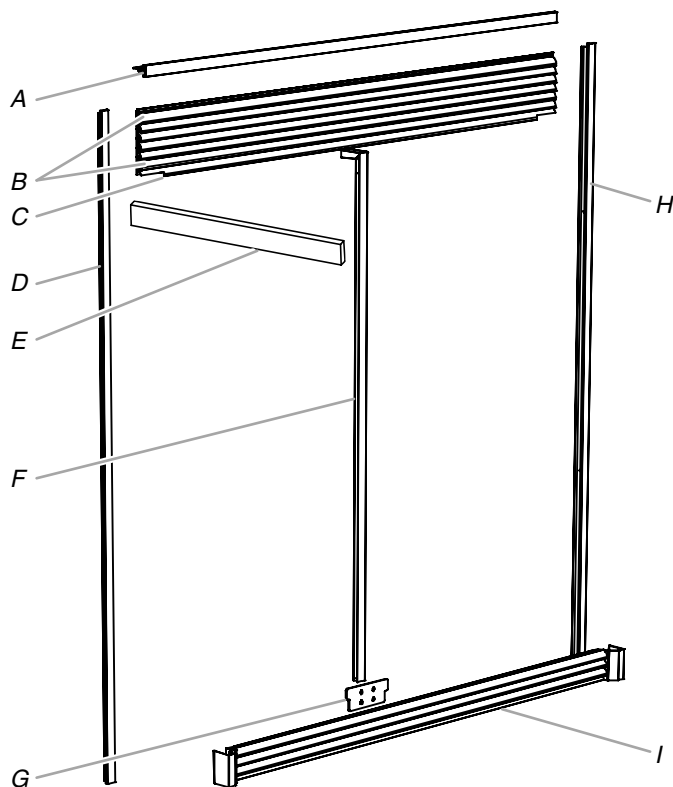
- Perceuse sans fil et foret de 1/8"
- Tournevis Phillips
- Tournevis à fente
- Entraînement de douille n° 2
- Foret de clé à rochet de 1/2"
- Niveau
- Mètre-ruban
- Ruban adhésif (ruban de masquage ou pour peintres)
- Lunettes de sécurité

Pièces fournies

Retirer les pièces de l'emballage de l'ensemble de tringle d'obturation. Vérifier la présence de toutes ces pièces.

IMPORTANT :

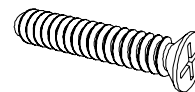
- Afin d'éviter d'érafler la surface des éléments, ne pas utiliser d'objets pointus pour retirer l'emballage.
- Les pièces métalliques peuvent être endommagées en cas de chute.



Description	(Quantité)	Numéro de pièce
A. Partie protubérante, garniture supérieure (1)		3-82842-001
B. Partie protubérante, grille (6)		3-82840-001
C. Partie protubérante, grille - entaillée (1)		3-82840-002
D. Partie protubérante, garniture de gauche (1)		3-82841-001
E. Plaquette d'espacement en plastique (1)		3-82841-002
F. Ensemble de tringle d'obturation (1)		4-82968-001
G. Support, avant (1)		3-82967-001
H. Partie protubérante, garniture de droite (1)		2-82975-001
I. Grille, ensemble de la partie inférieure (1)		2-82984-001



Vis Phillips à tête bombée (7)
Pièce numéro 3-24004-091



Vis Phillips à tête fraisée (2)
Pièce numéro 3-24004-159

Spécifications électriques

⚠ AVERTISSEMENT



Risque de choc électrique

Brancher sur une prise à 3 alvéoles reliée à la terre.

Ne pas enlever la broche de liaison à la terre.

Ne pas utiliser un adaptateur.

Ne pas utiliser un câble de rallonge.

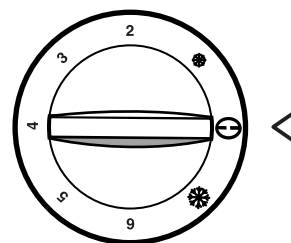
Le non-respect de ces instructions peut causer un décès, un incendie ou un choc électrique.

Avant de placer le réfrigérateur et le congélateur à leur emplacement final, il est important de vous assurer d'avoir la connexion électrique appropriée.

Méthode recommandée de mise à la terre

Une source d'alimentation de 115 volts, 60 Hz, type 15 ou 20 ampères CA seulement, protégée par fusible et adéquatement mise à la terre est nécessaire. Il est recommandé que le réfrigérateur et le congélateur soient alimentés par deux circuits indépendants (un pour chaque appareil). Utiliser une prise murale qui ne peut pas être mise hors circuit à l'aide d'un commutateur. Ne pas utiliser de câble de rallonge.

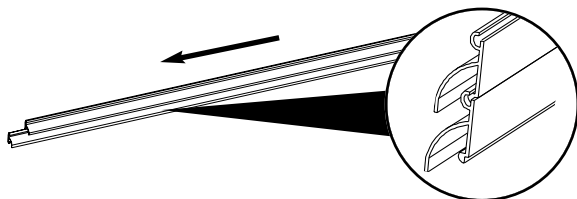
REMARQUE : Avant toute intervention d'installation, de nettoyage ou de changement d'ampoule, tourner la commande de température à la position OFF (arrêt) tel qu'illustré et déconnecter le réfrigérateur de la source d'alimentation électrique.



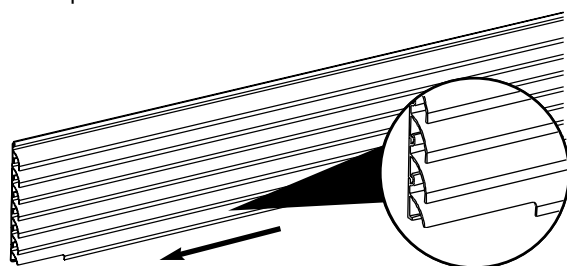
INSTRUCTIONS D'ASSEMBLAGE

Assemblage de la grille supérieure

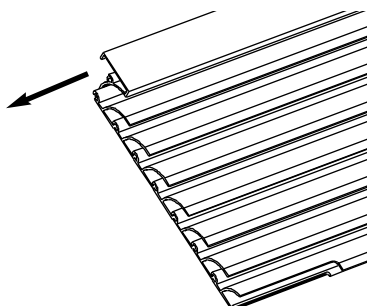
1. Assembler les six parties protubérantes de la grille en les insérant l'une dans l'autre, entre la languette et la rainure - tel qu'illustré.



2. Fixer la partie protubérante entaillée de la grille à celles préalablement fixées en la faisant glisser dans la grille de la base/la plus en bas.



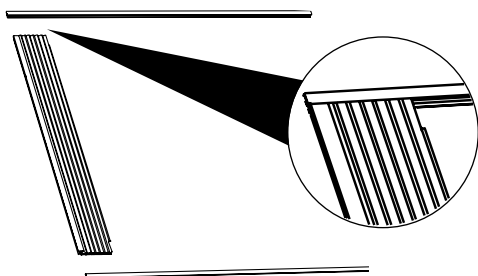
3. Installer la partie protubérante de la garniture supérieure sur l'ensemble de grille en la faisant glisser sur la partie protubérante de la garniture au sommet.



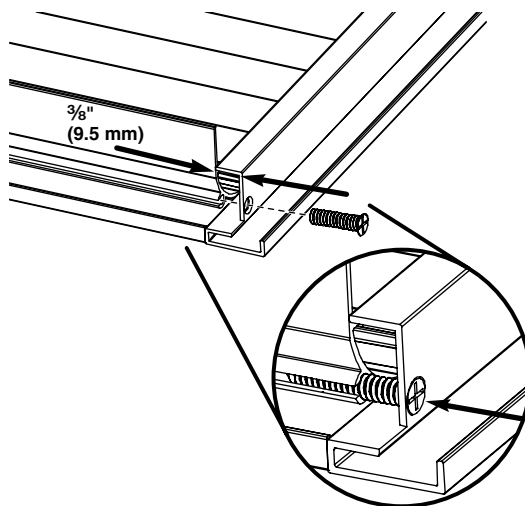
Fixation des parties protubérantes de garniture latérale

1. Aligner les parties protubérantes de garniture latérale avec les côtés de l'ensemble de grille.

REMARQUE : S'assurer que toutes les parties protubérantes de la grille sont contenues dans la rainure comportant les parties protubérantes latérales et que la surface supérieure de la partie protubérante de la garniture supérieure est en affleurement avec la surface supérieure des côtés.



2. Aligner le trou de la partie protubérante latérale avec la rainure située sur la partie protubérante supérieure, de chaque côté de l'ensemble de grille. Il y aura un écart de $\frac{3}{8}$ " (9,5 mm) entre les parties protubérantes.
3. À l'aide de vis Phillips à tête fraisée, fixer la garniture latérale à l'ensemble de grille. Insérer la vis dans le trou prépercé et dans la rainure de chaque côté de l'ensemble de grille, tel qu'illustré.



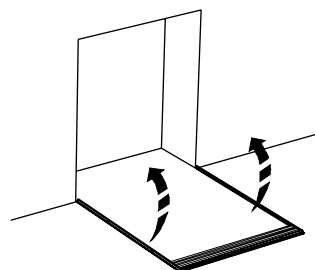
INSTRUCTIONS D'INSTALLATION

Installation de la grille et de la garniture supérieures

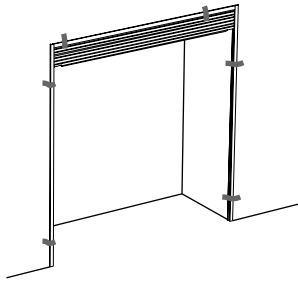
IMPORTANT : La grille et la garniture supérieures ainsi que le plancher peuvent être endommagés en cas de chute.

Préparation de la cavité d'encastrement

1. Placer le carton ou le panneau de contreplaqué sur le plancher, de chaque côté de la cavité d'encastrement non aménagée, au point de contact entre la garniture latérale et le plancher.
2. Placer la grille et la garniture supérieures en les orientant vers le plancher et les centrer dans l'avant de la cavité d'encastrement non aménagée.
3. À l'aide de deux personnes (une de chaque côté), soulever l'ensemble de garniture et le positionner au-dessus de la cavité d'encastrement et de chaque côté.



- Utiliser plusieurs morceaux de ruban adhésif pour fixer temporairement l'ensemble tel qu'illustré.



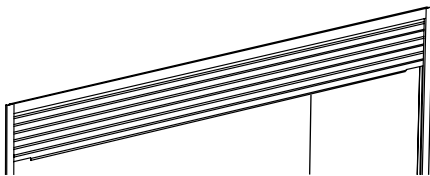
- Marquer l'emplacement des trous d'installation de l'ensemble de garniture autour de la cavité. Retirer le ruban adhésif et reposer l'ensemble de garniture sur le plancher.
- À l'aide d'une perceuse sans fil et d'un foret de $\frac{1}{8}$ " , percer les trous aux emplacements indiqués.

REMARQUE : Certains matériaux des placards ou du mur peuvent nécessiter des trous prépercés avec un foret de $\frac{7}{8}$ " de diamètre.

- Répéter les étapes 3 et 4.

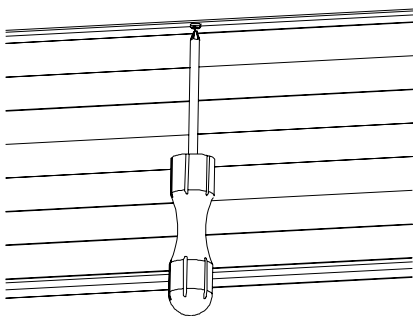
Fixation de la garniture supérieure à la cavité d'encastrement

- Aligner la partie protubérante supérieure contre la cavité de façon à ce qu'elle soit en contact et en affleurement avec la surface avant de la cavité dans le mur ou les placards.



- À partir de la face inférieure et arrière de la partie protubérante de la garniture supérieure, insérer une vis Phillips à tête bombée dans le trou central prépercé de la garniture supérieure et dans la cavité du mur ou des placards.

REMARQUE : Ne pas serrer complètement la vis.



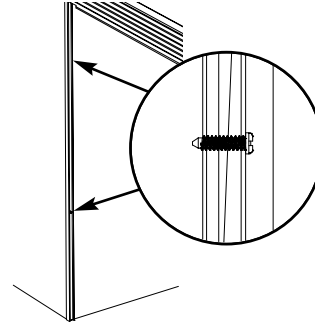
- Avec un niveau, établir l'aplomb de la garniture supérieure et insérer des cales au besoin.

REMARQUE : Aucune cale n'est fournie avec l'ensemble de garniture.

- Avec deux vis Phillips à tête bombée, serrer la partie protubérante de la garniture en insérant une vis dans les trous prépercés à chaque extrémité. Serrer complètement les vis.
- Serrer complètement la vis centrale.

Fixation de la garniture latérale à la cavité d'encastrement

- Avec un niveau, s'assurer que les côtés sont d'aplomb et insérer des cales au besoin.
REMARQUE : Aucune cale n'est fournie avec l'ensemble de garniture.
- Avec quatre vis Phillips à tête bombée (deux de chaque côté), fixer les deux parties protubérantes de garniture de gauche et de droite sur la cavité d'encastrement ou les placards. Veiller à ce que la garniture ne se torde pas.



Installation et alignement du réfrigérateur et du congélateur

⚠ AVERTISSEMENT

Risque du poids excessif

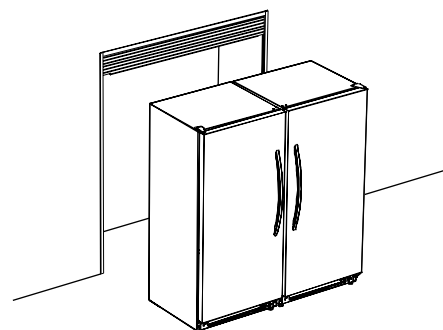
Utiliser deux ou plus de personnes pour déplacer et installer le réfrigérateur.

Le non-respect de cette instruction peut causer une blessure au dos ou d'autre blessure.

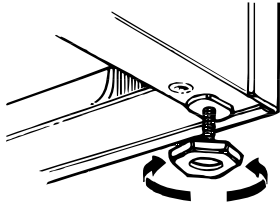
Déplacement de votre congélateur ou votre réfrigérateur :

Votre congélateur et votre réfrigérateur sont lourds. Lors du déplacement de l'appareil pour le nettoyage ou un entretien ou réparation, veiller à recouvrir le plancher avec du carton ou un panneau de fibres dures pour éviter qu'il ne subisse tout dommage. Toujours tirer l'appareil tout droit lors de son déplacement. Ne pas incliner l'appareil d'un côté ou de l'autre ni le "faire marcher" en essayant de le déplacer car le plancher pourrait être endommagé.

- Positionner le réfrigérateur et le congélateur devant l'ouverture de la cavité d'encastrement (congélateur à gauche et réfrigérateur à droite).



2. Ajuster les pieds de nivellement de façon à ce que chaque appareil soit de niveau et à la même hauteur que l'autre.
REMARQUE : Le congélateur et le réfrigérateur comportent chacun deux pieds de nivellement réglables à l'avant. L'arrière de chaque appareil repose sur des supports fixes.
3. Placer un levier sur la partie supérieure de la caisse. Contrôler l'aplomb tout d'abord transversalement, puis dans le sens avant/arrière.
 Pour soulever un coin, tourner le pied de nivellement dans le sens horaire.
 Pour abaisser un coin, tourner le pied de nivellement dans le sens antihoraire.



4. Répéter l'étape 3 pour l'autre appareil jusqu'à ce que le congélateur et le réfrigérateur soient parfaitement d'aplomb et à la même hauteur.
5. Ajuster les pieds de nivellement avant juste assez pour séparer la caisse du sol.
REMARQUE : Si votre modèle est équipé de roulettes, les pieds avant doivent être suffisamment abaissés pour que les roulettes ne soient plus en contact avec le plancher et pour s'assurer que le congélateur ne roule pas vers l'avant lorsqu'on ouvre la porte.

Déplacement du réfrigérateur et du congélateur à leur emplacement définitif

⚠ AVERTISSEMENT

Risque du poids excessif

Utiliser deux ou plus de personnes pour déplacer et installer le réfrigérateur.

Le non-respect de cette instruction peut causer une blessure au dos ou d'autre blessure.

Déplacement de votre congélateur ou votre réfrigérateur :

Votre congélateur et votre réfrigérateur sont lourds. Lors du déplacement de l'appareil pour le nettoyage ou un entretien ou réparation, veiller à recouvrir le plancher avec du carton ou un panneau de fibres dures pour éviter qu'il ne subisse tout dommage. Toujours tirer l'appareil tout droit lors de son déplacement. Ne pas incliner l'appareil d'un côté ou de l'autre ni le "faire marcher" en essayant de le déplacer car le plancher pourrait être endommagé.

IMPORTANT : Si les prises de courant électrique ne sont pas centrées dans la paroi arrière de la cavité, placer d'abord l'appareil du côté opposé des prises situées dans la cavité.

Positionnement du premier appareil

1. Pour éviter d'endommager le plancher, le recouvrir de carton ou de contreplaqué.
2. Faire glisser le premier appareil dans la cavité d'encastrement, suffisamment pour pouvoir brancher le cordon d'alimentation sur la prise de courant.

⚠ AVERTISSEMENT



Risque de choc électrique

Brancher sur une prise à 3 alvéoles reliée à la terre.

Ne pas enlever la broche de liaison à la terre.

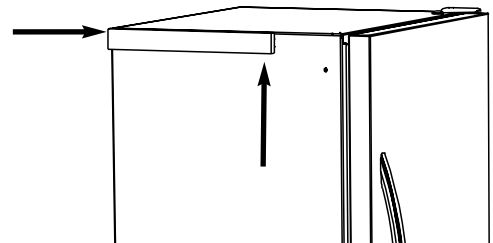
Ne pas utiliser un adaptateur.

Ne pas utiliser un câble de rallonge.

Le non-respect de ces instructions peut causer un décès, un incendie ou un choc électrique.

3. Brancher l'appareil sur une prise à 3 alvéoles reliée à la terre.
4. Contrôler l'aplomb de l'appareil car celui-ci peut avoir été modifié lors du déplacement de l'appareil dans la cavité.
5. Fixer la plaquette d'espacement en plastique au côté de l'appareil de façon à ce qu'elle soit en affleurement avec les bords supérieurs et arrière de la caisse tel qu'illustré.

REMARQUE : La plaquette d'espacement permet d'établir un dégagement correct entre les deux appareils.



Positionnement du deuxième appareil

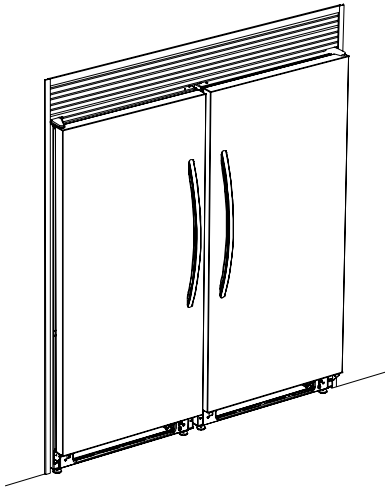
1. Faire glisser le premier appareil dans la cavité d'encastrement, suffisamment pour pouvoir brancher le cordon d'alimentation sur la prise de courant.
2. Brancher l'appareil sur une prise à 3 alvéoles reliée à la terre.
3. Contrôler l'aplomb de l'appareil car celui-ci peut avoir été modifié lors du déplacement de l'appareil dans la cavité.

REMARQUE : Selon les caractéristiques de planéité du plancher, il peut être nécessaire de retirer un appareil plusieurs fois pour modifier le réglage afin d'obtenir un alignement satisfaisant des deux appareils.

4. Si nécessaire, on peut ajuster la position verticale de la porte des appareils : desserrer les trois vis des charnières, déplacer la charnière et resserrer les vis.

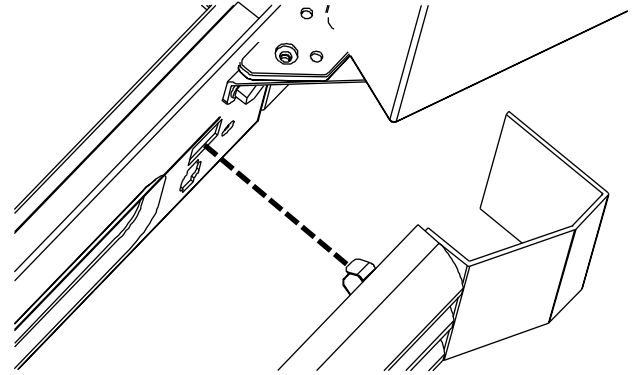
REMARQUE : Prévoir un support supplémentaire de la porte du réfrigérateur pendant le déplacement des charnières. La force d'attraction des aimants de la porte ne suffit pas à la maintenir en place pendant la manutention.

- Enfoncer complètement le réfrigérateur et le congélateur dans la cavité d'encastrement.



- Appuyer sur toutes les attaches de fixation pour les emboîter.

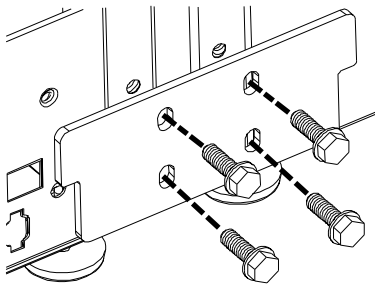
REMARQUE : Vérifier que chaque attache de grille est parfaitement engagée, et vérifier l'absence d'interférence entre les embouts de la grille de la base et la bride de charnière sur chaque appareil.



Installation de la grille de la base

Installation du support sur les caisses d'appareil

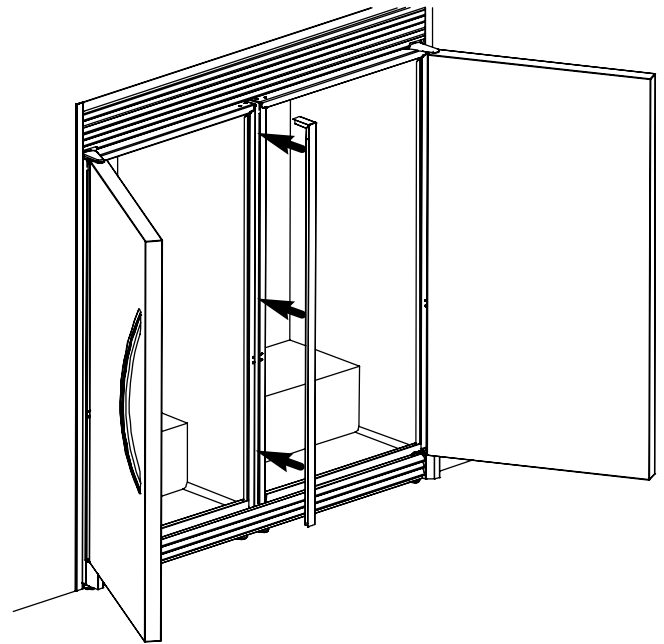
- Retirer la grille de la base en plastique de chaque appareil.
 - Retirer les deux vis à tête hexagonale de $\frac{5}{16}$ " situées sur le côté opposé de la charnière inférieure de chaque caisse d'appareil. Ces vis vont être utilisées pour le montage du support.
 - Insérer une vis dans le support inférieur et la visser dans la caisse.
- REMARQUE :** Ne pas serrer complètement la vis.
- Aligner les trous du support avec les trous des appareils et installer les trois vis restantes.
- REMARQUE :** Ne pas serrer complètement les vis.
- S'assurer que les appareils sont toujours de niveau et serrer les quatre vis du support.



Installation de la tringle d'obturation

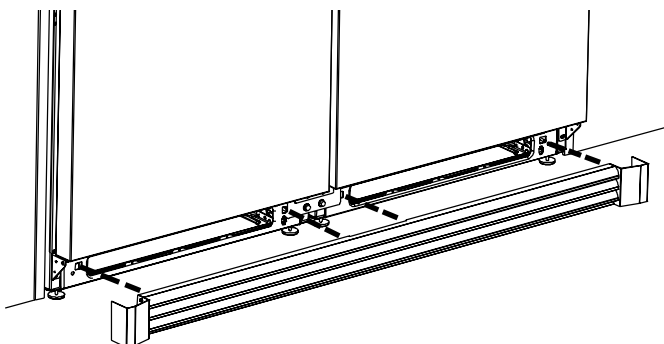
- Placer la tringle d'obturation magnétique entre le réfrigérateur et le congélateur pour combler l'espace entre les appareils.

REMARQUE : La tringle d'obturation doit être en affleurement avec le sommet de la caisse des deux appareils.



Installation de la grille de la base

- Aligner les quatre agrafes de la grille de la base avec les quatre trous carrés de la base de la caisse des appareils.



Entretien et nettoyage

Nettoyer la surface de la garniture et de la grille avec un chiffon en coton mouillé et un mélange d'eau tiède et de détergent doux. Ne pas utiliser de nettoyants puissants ou abrasifs car ils peuvent endommager la surface métallique de la grille et de la garniture.

W10333944A

© 2010 Whirlpool Corporation.
All rights reserved.
Todos los derechos reservados.
Tous droits réservés.

8/10
Printed in U.S.A.
Impreso en EE.UU.
Imprimé aux É.-U.