

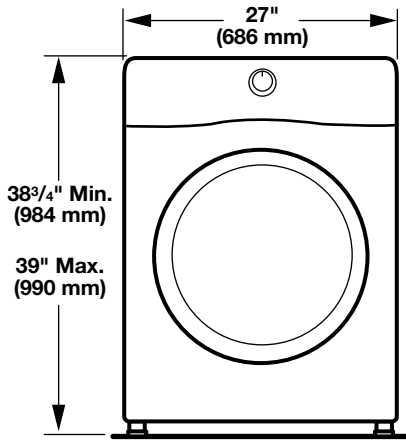


# ELECTRIC DRYER

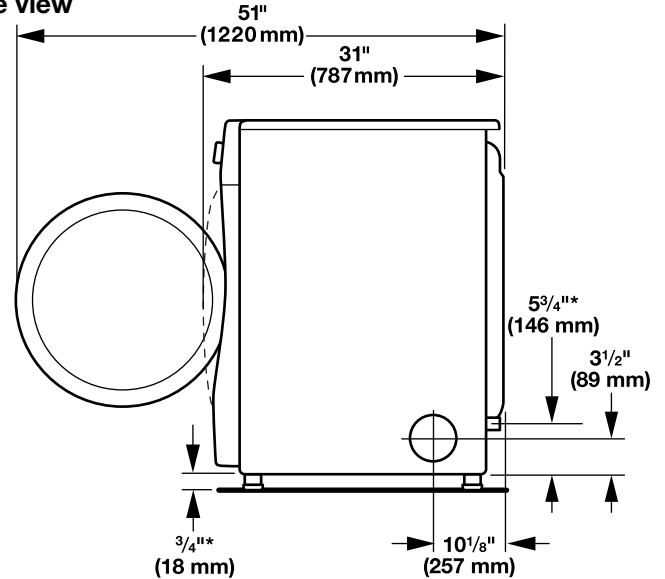
## PRODUCT MODEL NUMBERS

WED7505F, WED7540F, WED7590F, WED75HEF,  
WED7740F, WED77HEF, WED90HEF, WED92HEF, WED85HEF

Front view

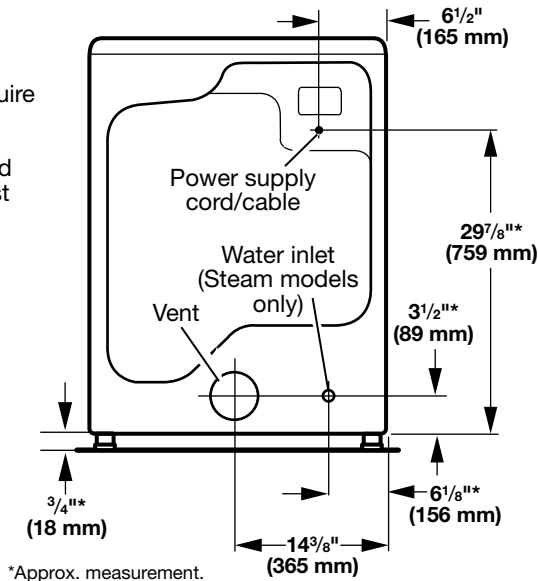


Side view



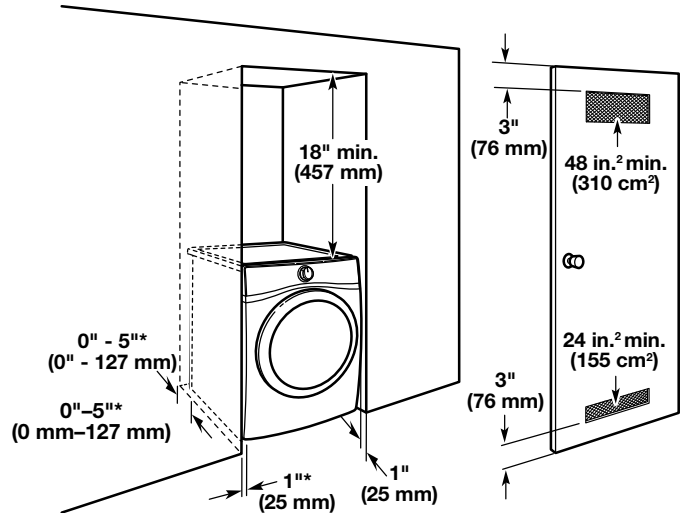
Back view

**NOTE:** Most installations require a minimum of 5" (127 mm) clearance behind dryer for exhaust vent with elbow. See "Venting Requirements."



\*Approx. measurement.

Recommended installation clearances



\*0" (0 mm) spacing is allowed for straight-back venting only. For steam models only, inlet hose must not be kinked.

### Spacing for recessed area or closet installation

All dimensions show recommended and minimum spacing allowed.

- Additional spacing should be considered for ease of installation and servicing.
- Additional clearances might be required for wall, door, and floor moldings.
- Additional spacing should be considered on all sides of the dryer to reduce noise transfer.
- For closet installation with a door, minimum ventilation openings in the top and bottom of the door are required. Louvered doors with equivalent ventilation openings are acceptable.
- Companion appliance spacing should also be considered.

# INSTALLATION REQUIREMENTS

## ELECTRICAL REQUIREMENTS

To supply the required 3- or 4-wire, single phase, 120/240 volt, 60 Hz, AC only electrical supply (or 3- or 4-wire, 120/208 volt electrical supply, if specified on the serial/rating plate) on a separate 30-amp circuit, fused on both sides of the line. Connect to an individual branch circuit. Do not have a fuse in the neutral or grounding circuit.

## WATER (STEAM MODELS ONLY) REQUIREMENTS

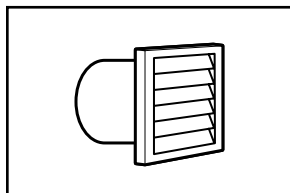
The dryer must be connected to the cold water faucet using new inlet hoses (not supplied). Do not use old hoses. Do not overtighten. Damage to the coupling can result.

## VENTING REQUIREMENTS

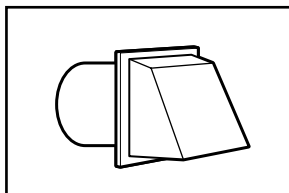
**Exhaust venting:** Exhaust your dryer to the outside. 4" (102 mm) diameter vent is required. Rigid or flexible metal exhaust vent must be used. Do not use plastic or metal foil vet. Exhaust hood must be at least 12" (305 mm) from the ground or any object that may be in the path of the exhaust.

### Exhaust hoods:

#### Recommended styles:

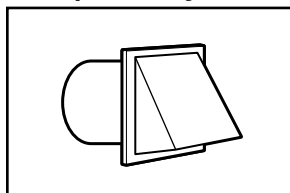


Louvered Hood



Box Hood

#### Acceptable style:



Angled Hood

### Determine vent path:

- Select route that will provide straightest and most direct path outdoors.
- Plan installation to use fewest number of elbows and turns.
- When using elbows or making turns, allow as much room as possible.
- Bend vent gradually to avoid kinking.
- Use as few 90° turns as possible.

### Determine vent length and elbows needed for best drying performance:

- Use the following "Vent System Charts" to determine type of vent material and hood combinations acceptable to use.
  - NOTE:** Do not use vent runs longer than those specified in "Vent System Charts."
- Shorten life of dryer.
- Reduce performance, resulting in longer drying times and increased energy usage.

The "Vent System Charts" provide venting requirements that will help achieve best drying performance.

| Standard Vent System Chart |              |                 |
|----------------------------|--------------|-----------------|
| Number of 90° elbows       | Type of vent | Angled hoods    |
| 0                          | Rigid metal  | 64 ft. (20 m)   |
| 1                          | Rigid metal  | 54 ft. (16.5 m) |
| 2                          | Rigid metal  | 44 ft. (13.4 m) |
| 3                          | Rigid metal  | 35 ft. (10.7 m) |
| 4                          | Rigid metal  | 27 ft. (8.2 m)  |

| Long Vent System Chart |              |                  |
|------------------------|--------------|------------------|
| Number of 90° elbows   | Type of vent | Angled hoods     |
| 0                      | Rigid metal  | 160 ft. (48.8 m) |
| 1                      | Rigid metal  | 150 ft. (45.7 m) |
| 2                      | Rigid metal  | 140 ft. (42.7 m) |
| 3                      | Rigid metal  | 130 ft. (39.6 m) |
| 4                      | Rigid metal  | 120 ft. (36.6 m) |

To determine if your model has a long vent system, refer to the type code located on the serial number plate in the inner door well. Example: An electric model would be **DALV** (Long Vent) – ELE – XXXXXXXX-XXX.

**NOTE:** For long vent systems, use of box/louvered hoods will improve venting, regardless of length.