

Whirlpool® Side by Side Refrigerator

PRODUCT MODEL NUMBERS

| | |
|----------|----------|
| ED2FHAXS | ES5LHAXS |
| ED5FHAXS | ES5PHAXS |
| ED5PHAXS | GD5RHAXS |
| ES2FHAXS | GS2SHAXS |
| ES5FHAXS | GS5SHAXS |

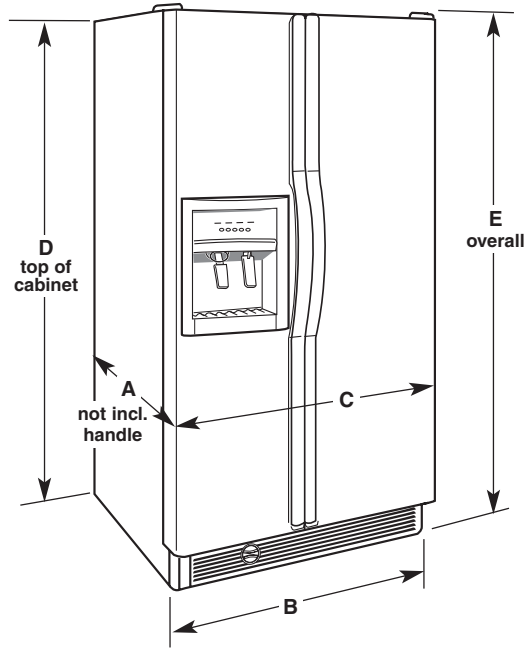
Electrical: A 115 Volt, 60 Hz., AC only 15 or 20 amp fused, grounded electrical supply is required. It is recommended that a separate circuit serving only your refrigerator be provided. Use an outlet that cannot be turned off by a switch. Do not use an extension cord.

Water: A cold water line with water pressure between 30 and 120 psi (207 - 827 kPa) is required for the water dispenser and ice maker.

Reverse osmosis water supply: The pressure of the water supply coming out of a reverse osmosis system going to the water inlet valve of the refrigerator needs to be between 30 and 120 psi (207 - 827 kPa).

If a reverse osmosis water filtration system is connected to your cold water supply, the water pressure to the reverse osmosis system needs to be a minimum of 40 to 60 psi (276 - 414 kPa).

OVERALL DIMENSIONS

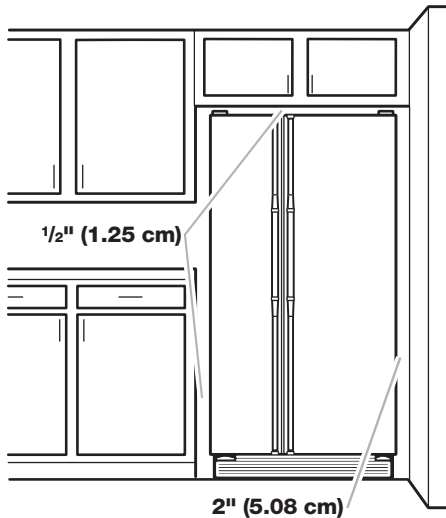


Handle and door style will vary with model.

Dimensions "D" and "E" include rollers extended 3/4".

| Model size | Depth "A" | Cab. Width "B" | Door Width "C" | Cab. Height "D" | Overall Height "E" |
|------------|-----------|----------------|----------------|-----------------|--------------------|
| ED2FHAXS | 31 3/8" | 32 3/4" | 33 1/8" | 65 7/8" | 66 3/4" |
| ED5FHAXS | 31 3/8" | 35 1/2" | 35 7/8" | 68 7/8" | 69 3/4" |
| ED5PHAXS | 31 3/8" | 35 1/2" | 35 7/8" | 68 7/8" | 69 3/4" |
| ES2FHAXS | 33 1/4" | 32 3/4" | 33 1/4" | 65 7/8" | 67 1/4" |
| ES5FHAXS | 33 1/4" | 35 1/2" | 36" | 68 7/8" | 70 1/4" |
| ES5LHAXS | 33 1/4" | 35 1/2" | 36" | 68 7/8" | 70 1/4" |
| ES5PHAXS | 33 1/4" | 35 1/2" | 36" | 68 7/8" | 70 1/4" |
| GD5RHAXS | 31 3/8" | 35 1/2" | 35 7/8" | 68 7/8" | 69 3/4" |
| GS2SHAXS | 33 1/4" | 32 3/4" | 33 1/4" | 65 7/8" | 67 1/4" |
| GS5SHAXS | 33 1/4" | 35 1/2" | 36" | 68 7/8" | 70 1/4" |

LOCATION REQUIREMENTS



To ensure proper ventilation for your refrigerator, allow for 1/2" (1.25 cm) space on each side and at the top. When installing your refrigerator next to a fixed wall, leave 2" (5.08 cm) minimum on each side (depending on your model) to allow for the door to swing open. If your refrigerator has a water dispenser and ice maker, allow extra space at the back for the water line connections.

NOTE: Do not install the refrigerator near an oven, radiator, or other heat source, nor in a location where the temperature will fall below 55°F (13°C).