

INSTALLATION INSTRUCTIONS 27" (68.6 CM) AND 30" (76.2 CM) ELECTRIC SINGLE AND DOUBLE BUILT-IN OVEN

INSTRUCTIONS D'INSTALLATION FOUR ÉLECTRIQUE ENCASTRÉ 27" (68,6 CM) ET 30" (76,2 CM) - SIMPLE ET DOUBLE

INSTRUCCIONES DE INSTALACIÓN DEL HORNO EMPOTRADO ELÉCTRICO SIMPLE Y DOBLE DE 27" (68,6 CM) Y 30" (76,2 CM)

Table of Contents/Table des matières/Índice

| | | | | | |
|--|----------|---|-----------|--|-----------|
| BUILT-IN OVEN SAFETY | 2 | SÉCURITÉ DU FOUR ENCASTRÉ | 17 | SEGURIDAD DEL HORNO INTEGRADO | 33 |
| INSTALLATION REQUIREMENTS | 2 | EXIGENCES D'INSTALLATION | 17 | REQUISITOS DE INSTALACIÓN | 33 |
| Tools and Parts..... | 2 | Outils et pièces..... | 17 | Herramientas y piezas..... | 33 |
| Location Requirements | 3 | Exigences d'emplacement..... | 18 | Requisitos de ubicación..... | 34 |
| Electrical Requirements | 6 | Spécifications électriques..... | 21 | Requisitos eléctricos | 37 |
| INSTALLATION INSTRUCTIONS | 7 | INSTRUCTIONS D'INSTALLATION | 22 | INSTRUCCIONES DE INSTALACIÓN .. | 38 |
| Prepare Built-In Oven..... | 7 | Préparation du four encastré | 22 | Prepare el horno integrado | 38 |
| Remove Oven Door(s)..... | 7 | Dépose de la/des porte(s) du four | 22 | Retire la puerta del horno..... | 38 |
| Replace Oven Door(s) | 8 | Réinstallation la porte(s) du four | 23 | Vuelva a colocar la puerta del horno .. | 39 |
| Positioning Oven Feet for Multiple Cabinet Cutout Heights | 8 | Positionnement des pieds du four pour des ouvertures d'encastrement de hauteur différente | 24 | Ubicación de las patas del horno para múltiples alturas de corte del armario | 39 |
| Make Electrical Connection | 13 | Raccordement électrique..... | 28 | Haga la conexión del suministro eléctrico | 44 |
| Install Oven..... | 14 | Installation du four..... | 30 | Instale el horno..... | 45 |
| Install Warming Drawer Deflector Kit.. | 16 | Installation de l'ensemble de déflecteur du tiroir-réchaud | 31 | Instale el kit de deflector para cajón de calentamiento | 47 |
| Complete Installation | 16 | Achever l'installation | 32 | Finalización de la instalación | 47 |

IMPORTANT:

Save for local electrical inspector's use.

IMPORTANT :

À conserver pour consultation par l'inspecteur local des installations électriques.

IMPORTANTE:

Guarde para tener a disposición del inspector de electricidad local.

W11129956A

BUILT-IN OVEN SAFETY

Your safety and the safety of others are very important.

We have provided many important safety messages in this manual and on your appliance. Always read and obey all safety messages.



This is the safety alert symbol.

This symbol alerts you to potential hazards that can kill or hurt you and others.

All safety messages will follow the safety alert symbol and either the word “DANGER” or “WARNING.”

These words mean:

⚠ DANGER

You can be killed or seriously injured if you don't **immediately** follow instructions.

⚠ WARNING

You can be killed or seriously injured if you don't follow instructions.

All safety messages will tell you what the potential hazard is, tell you how to reduce the chance of injury, and tell you what can happen if the instructions are not followed.

INSTALLATION REQUIREMENTS

Tools and Parts

Gather the required tools and parts before starting installation. Read and follow the instructions provided with any tools listed here.

Tools Needed

- Phillips screwdriver
- Measuring tape
- Hand or electric drill (for wall cabinet installations)
- 1” (2.5 cm) drill bit (for wall cabinet installations)
- Level
- Flat-blade screwdriver

Parts Needed

- UL Listed or CSA Approved conduit connector
- UL Listed wire connectors
- Warming Drawer Deflector Kit (for ovens installed above a warming drawer):

| Color | Size | Type | Warming Drawer Deflector Kit |
|--------|------|-----------------|------------------------------|
| White | 27” | Single / Double | W10510613 |
| White | 30” | Single / Double | W10510614 |
| Black | 27” | Single / Double | W10531009 |
| Black | 30” | Single / Double | W10531010 |
| SS | 27” | Single / Double | W10536338 |
| SS | 30” | Single / Double | W10536339 |
| BSS | 27” | Single / Double | W10888988 |
| BSS | 30” | Single / Double | W10727416 |
| Bronze | 30” | Single / Double | W11123007 |

To order, see the “Assistance or Service” section of the Use and Care Guide.

- Flush Installation Kit (for Single and Double installed at flush installation):

| Color | Size | Type | Flush Installation Kit |
|--------|------|-----------------|------------------------|
| White | 27” | Single / Double | W11173681 |
| White | 30” | Single / Double | W11173683 |
| Black | 27” | Single / Double | W11173685 |
| Black | 30” | Single / Double | W11173691 |
| SS | 27” | Single / Double | W11173693 |
| SS | 30” | Single / Double | W11123003 |
| BSS | 27” | Single / Double | W11173700 |
| BSS | 30” | Single / Double | W11173703 |
| Bronze | 30” | Single / Double | W11123005 |

To order, see the “Assistance or Service” section of the Use and Care Guide.

Parts Supplied

- #8-14 x 3/4” (19 mm) screws: single ovens (2), double ovens (4)
- #8-18 x 3/8” (9.5 mm) screws: bottom vent (2)
- #8-18 x 1/4” (6.4 mm) screws: bottom vent trim (4)
- #8-18 x 3/8” (9.5 mm) screws: double oven feet (4)
- Bottom vent
- Bottom vent trim
- Rear feet: double oven (2)
- Front feet: double oven (2)

Check local codes. Check existing electrical supply. See the “Electrical Requirements” section.

It is required that all electrical connections be made by a licensed, qualified electrical installer.

Location Requirements

IMPORTANT: Observe all governing codes and ordinances.

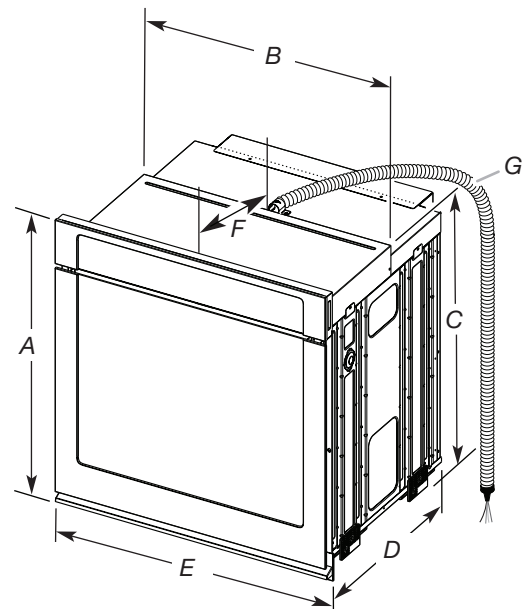
- Cabinet opening dimensions that are shown must be used. Given dimensions provide minimum clearance with oven.
 - Recessed installation area must provide complete enclosure around the recessed portion of the oven.
 - Grounded electrical supply is required. See the “Electrical Requirements” section.
 - Electrical supply junction box should be located 3" (7.6 cm) above the cutout or 3" (7.6 cm) maximum below the support surface when the oven is installed in a wall cabinet. A 1" (2.5 cm) minimum diameter hole should have been drilled in the right rear or left rear corner of the upper or lower support surface to pass the appliance cable through to the junction box.
- NOTE:** For undercounter installation, it is recommended that the junction box be located in the adjacent right or left cabinet. If you are installing the junction box on rear wall behind oven, it is recommended that the junction box be recessed and located in the upper center of the cabinet.
- Oven support surface must be solid, level, and flush with bottom of cabinet cutout.
 - Floor must be able to support a single oven weight of 129 lbs (59 kg) for 27" (68.6 cm) models or 154 lbs (70 kg) for 30" (76.2 cm) models.
 - Floor must be able to support a double oven weight of 251 lbs (114 kg) for 27" (68.6 cm) models or 288 lbs (131 kg) for 30" (76.2 cm) models.

IMPORTANT: To avoid damage to your cabinets, check with your builder or cabinet supplier to make sure that the materials used will not discolor, delaminate, or sustain other damage. This oven has been designed in accordance with the requirements of UL and CSA International and complies with the maximum allowable wood cabinet temperatures of 194°F (90°C).

Undercounter Installation (with Cooktop Installed Above):

Refer to the Cutout Dimensions for Ovens Installed Under Cooktop (separate sheet). See product website for list of cooktop models approved for use above select wall-oven models.

Product Dimensions – Single Ovens



27" (68.6 cm) models

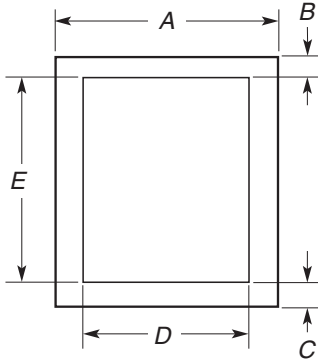
- A. 28³/₄" (72.8 cm) max. overall height
- B. 25⁷/₁₆" (64.6 cm) max. recessed width
- C. 26³/₄" (67.9 cm) recessed height
- D. 23¹/₄" (59.1 cm) max. recessed depth
- E. 27" (68.6 cm) overall width
- F. 12" (30.5 cm) from back of control panel to start of strain relief
- G. 48" (121.9 cm) flexible conduit length

30" (76.2 cm) models

- A. 28³/₄" (72.8 cm) max. overall height
- B. 28¹/₂" (72.4 cm) max. recessed width
- C. 26³/₄" (67.9 cm) recessed height
- D. 23¹/₄" (59.1 cm) max. recessed depth
- E. 30" (76.2 cm) overall width
- F. 12" (30.5 cm) from back of control panel to start of strain relief
- G. 48" (121.9 cm) flexible conduit length

Cabinet Dimensions — Single Ovens

Single Oven Undercounter (Without Cooktop Installed Above)



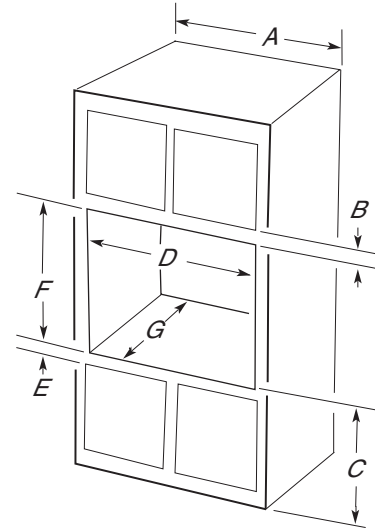
27" (68.6 cm) models

- A. 27" (68.6 cm) min. cabinet width
- B. 1½" (3.8 cm) min. top of cutout to underside of countertop
- C. 5¼" (13.3 cm) bottom of cutout to floor
- D. 25½" (64.8 cm) cutout width
- E. 28" (71.2 cm) min. cutout height

30" (76.2 cm) models

- A. 30" (76.2 cm) min. cabinet width
- B. 1½" (3.8 cm) min. top of cutout to underside of countertop
- C. 5¼" (13.3 cm) bottom of cutout to floor
- D. 28½" (72.4 cm) cutout width
- E. 28" (71.2 cm) min. cutout height

Single Ovens Installed in Cabinet



27" (68.6 cm) models

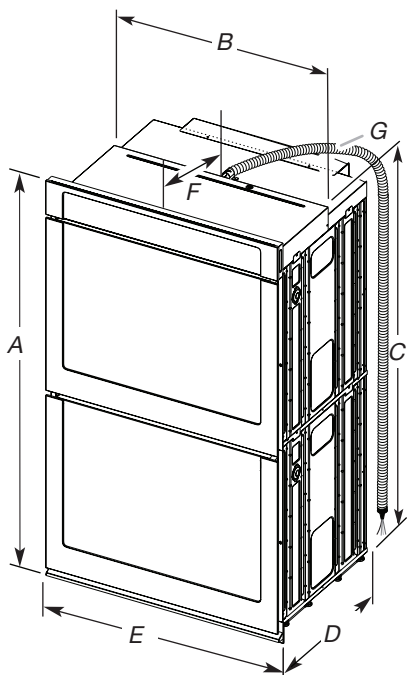
- A. 27" (68.6 cm) min. cabinet width
- B. 1" (2.5 cm) top of cutout to bottom of upper cabinet door
- C. 32" (81.3 cm) bottom of cutout to floor
- D. 25½" (64.8 cm) cutout width
- E. 1½" (3.8 cm) min. bottom of cutout to top of cabinet door
- F. 28" (71.2 cm)* recommended cutout height
- G. 24" (60.7 cm) cutout depth

30" (76.2 cm) models

- A. 30" (76.2 cm) min. cabinet width
- B. 1" (2.5 cm) top of cutout to bottom of upper cabinet door
- C. 32" (81.3 cm) bottom of cutout to floor
- D. 28½" (72.4 cm) cutout width
- E. 1½" (3.8 cm) min. bottom of cutout to top of cabinet door
- F. 28" (71.2 cm)* recommended cutout height
- G. 24" (60.7 cm) cutout depth

***NOTE:** The cutout height can be between 26¹⁵/₁₆" and 29⁷/₁₆" (68.4 cm and 74.8 cm) for single ovens.

Product Dimensions — Double Ovens



27" (68.6 cm) models

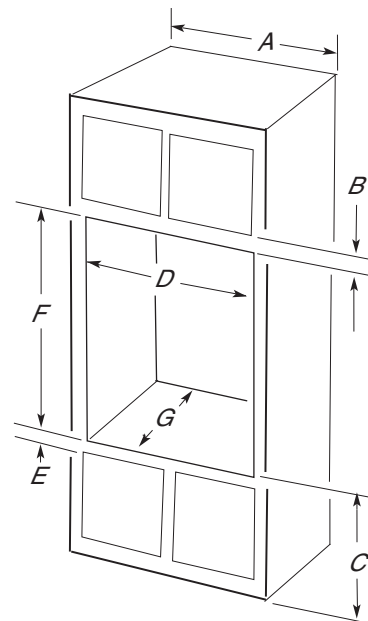
- A. 51³/₁₆" (130.0 cm) max. overall height
- B. 25⁷/₁₆" (64.6 cm) max. recessed width
- C. 48¹³/₁₆" (124.0 cm) recessed height
- D. 23¹/₄" (59.1 cm) max. recessed depth
- E. 27" (68.6 cm) overall width
- F. 12" (30.5 cm) from back of control panel to start of strain relief
- G. 66" (167.6 cm) flexible conduit length

30" (76.2 cm) models

- A. 51³/₁₆" (130.0 cm) max. overall height
- B. 28¹/₂" (72.4 cm) max. recessed width
- C. 48¹³/₁₆" (124.0 cm) recessed height
- D. 23¹/₄" (59.1 cm) max. recessed depth
- E. 30" (76.2 cm) overall width
- F. 12" (30.5 cm) from back of control panel to start of strain relief
- G. 66" (167.6 cm) flexible conduit length

Cabinet Dimensions — Double Ovens

Double Ovens Installed in Cabinet



27" (68.6 cm) models

- A. 27" (68.6 cm) min. cabinet width
- B. 1" (2.5 cm) top of cutout to bottom of upper cabinet door
- C. 14³/₄" (37.5 cm) bottom of cutout to floor is recommended. 4-14³/₄" (10.2-37.5 cm) bottom of cutout to floor is acceptable.
- D. 25¹/₂" (64.8 cm) cutout width
- E. 1¹/₂" (3.8 cm) min. bottom of cutout to top of cabinet door
- F. 50¹/₄" (127.6 cm)* recommended cutout height
- G. 24" (60.7 cm) cutout depth

30" (76.2 cm) models

- A. 30" (76.2 cm) min. cabinet width
- B. 1" (2.5 cm) top of cutout to bottom of upper cabinet door
- C. 14³/₄" (37.5 cm) bottom of cutout to floor is recommended. 4-14³/₄" (10.2-37.5 cm) bottom of cutout to floor is acceptable.
- D. 28¹/₂" (72.4 cm) cutout width
- E. 1¹/₂" (3.8 cm) min. bottom of cutout to top of cabinet door
- F. 50¹/₄" (127.6 cm)* recommended cutout height
- G. 24" (60.7 cm) cutout depth

***NOTE:** The cutout height can be between 48⁷/₈" and 52³/₁₆" (124.1 cm and 132.6 cm) for double ovens.

Electrical Requirements

If codes permit and a separate ground wire is used, it is recommended that a qualified electrical installer determine that the ground path and the wire gauge are in accordance with local codes.

Check with a qualified electrical installer if you are not sure the oven is properly grounded.

This oven must be connected to a grounded metal, permanent wiring system.

Be sure that the electrical connection and wire size are adequate and in conformance with the National Electrical Code, ANSI/NFPA 70 — latest edition or CSA Standards C22.

1-94, Canadian Electrical Code, Part 1 and C22.2 No. O-M91 — latest edition, and all local codes and ordinances.

A copy of the above code standards can be obtained from:

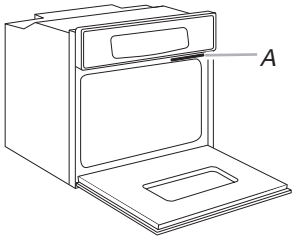
National Fire Protection Association
1 Batterymarch Park
Quincy, MA 02169-7471

CSA International
8501 East Pleasant Valley Road
Cleveland, OH 44131-5575

Electrical Connection

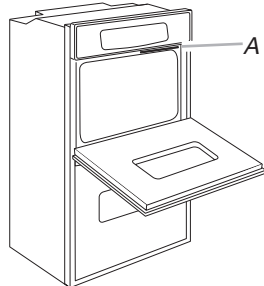
To properly install your oven, you must determine the type of electrical connection you will be using and follow the instructions provided for it here.

- Oven must be connected to the proper electrical voltage and frequency as specified on the model/serial/rating plate. The model/serial/rating plate is located under the control panel on single ovens and under the control panel on the upper cavity on double ovens. See the following illustrations.



Single Oven

A. Model/serial/rating plate



Double Oven

A. Model/serial/rating plate

- Models rated from 7.3 to 9.6 kW at 240 volts (6.3 to 8.3 kW at 208 volts) require a separate 40-amp circuit. Models rated from 4.9 to 7.2 kW at 240 volts (4.3 to 6.2 kW at 208 volts) require a separate 30-amp circuit. Models rated at 4.8 kW and below at 240 volts (4.2 kW and below at 208 volts) require a separate 20-amp circuit.
- A circuit breaker is recommended.
- Connect directly to the circuit breaker box (or fused disconnect) through flexible, armored, or nonmetallic sheathed, copper cable (with grounding wire). See the “Make Electrical Connection” section.
- Flexible conduit from the oven should be connected directly to the junction box.
- Fuse both sides of the line.
- Do not cut the conduit. The length of conduit provided is for serviceability of the oven.
- A UL Listed or CSA Approved conduit connector must be provided.
- If the house has aluminum wiring, follow the procedure below:
Connect the aluminum wiring using special connectors and/or tools designed and UL Listed for joining copper to aluminum.
Follow the electrical connector manufacturer’s recommended procedure. Aluminum/copper connection must conform with local codes and industry accepted wiring practices.

| Series | Voltage | Frequency | Rating |
|---------------------------------|--------------|-----------|--------|
| WOD97EC/ WODA7EC/ WOD77EC | 120/240 V AC | 60 Hz | 8 kW |
| | 120/208 V AC | 60 Hz | 6 kW |
| WOS97EC/ WOSA2EC/ WOS72EC | 120/240 V AC | 60 Hz | 4 kW |
| | 120/208 V AC | 60 Hz | 3 kW |
| WOD51EC | 120/240 V AC | 60 Hz | 7.6 kW |
| | 120/208 V AC | 60 Hz | 5.7 kW |
| WOS51EC | 120/240 V AC | 60 Hz | 3.9 kW |
| | 120/208 V AC | 60 Hz | 2.9 kW |

INSTALLATION INSTRUCTIONS

Prepare Built-In Oven

1. Decide on the final location for the oven. Avoid drilling or cutting into house wiring during installation.

! WARNING

Excessive Weight Hazard

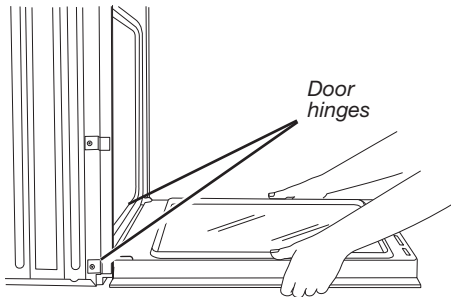
**Use two or more people to move and install oven.
Failure to do so can result in back or other injury.**

2. To avoid floor damage, set the oven onto cardboard prior to installation. Do not use handle or any portion of the front frame for lifting.
3. Remove the shipping materials and tape from the oven. Remember to keep the corner posts and other materials that may be needed for installation.
4. Remove the hardware package from inside the bag containing literature.
5. Remove and set aside racks and other parts from inside the oven.
6. Move oven and cardboard close to the oven's final location.

Remove Oven Door(s)

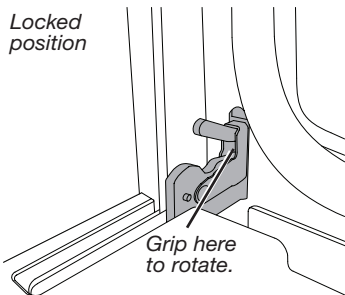
IMPORTANT: Use two hands to remove oven door. For double ovens, repeat the process for each door.

1. Prior to removing the oven door, prepare a surface where you will place it. This surface should be flat and covered with a soft blanket, or use the corner posts from your packaging material.
2. Fully open the oven door.



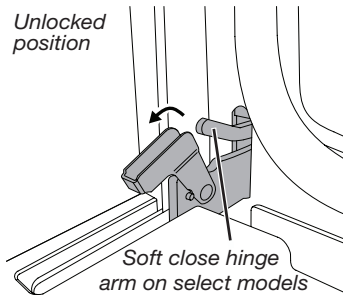
3. Locate the oven door hinge locks in both corners of the oven door, and rotate the hinge locks toward the oven door to the unlocked position. If the door hinge lock is not rotated fully (see illustration B), the door will not remove properly.

Locked position



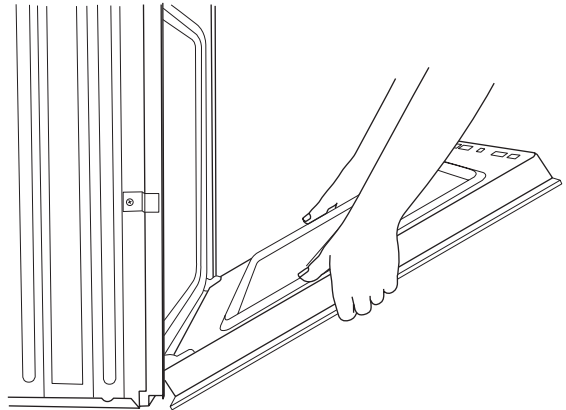
A. Oven door hinge lock in locked position

Unlocked position

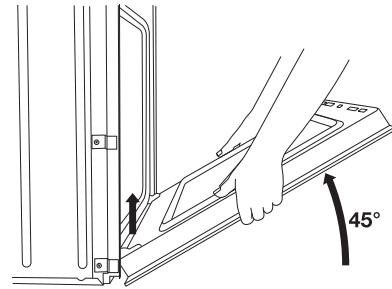


B. Oven door hinge lock in partially unlocked position

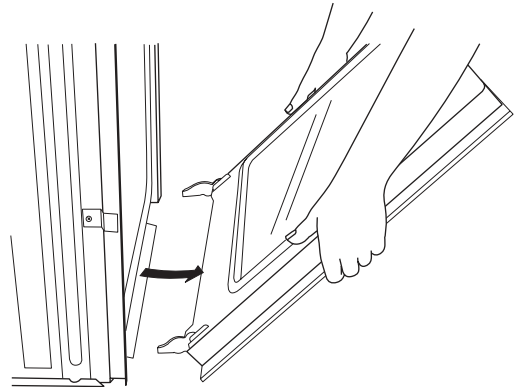
4. Gently start to close the door. The door will stop at a partially closed position.



5. Using two hands, grasp the edges of the oven door. Close the oven door slightly past the stop position to take the weight off of the door hinges, and then pull the oven door up.



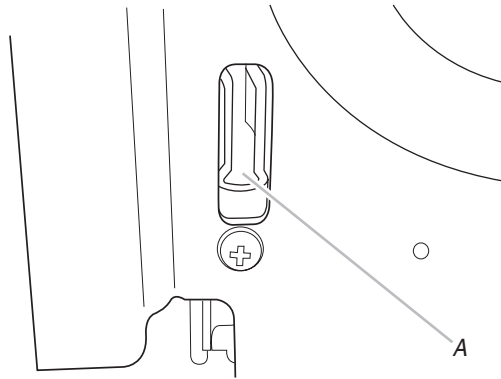
6. Pull the oven door toward you, and then remove. You may need to gently shift the door from side to side as you pull.



7. Set the oven door aside on the prepared covered work surface with the oven door resting on its handle.
8. To continue with the oven installation, go to the "Positioning Oven Feet for Multiple Cabinet Cutout Heights" section.

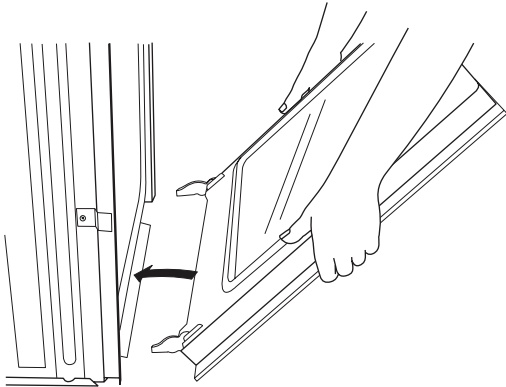
Replace Oven Door(s)

- Using two hands, grasp side edges of door at the midpoint. Face the oven cavity.
- Locate the slots on each side of the oven front frame for the door hinge locks.

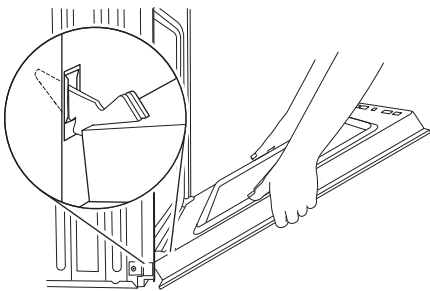


A. Slot in the oven cavity for door hinge lock

- Using two hands, grasp the edges of the oven door. At a 45° angle, insert the hinges at the same time, and push the oven door into the oven cavity slot to replace. You may need to gently shift the door from side to side as you push.

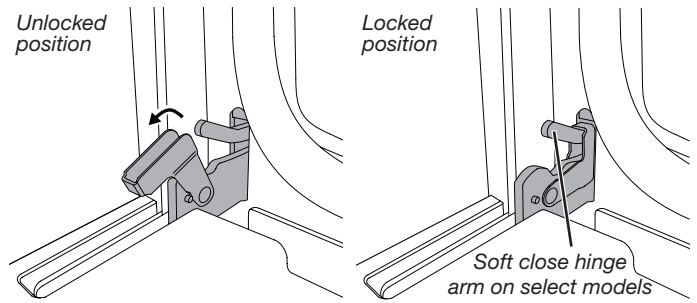


- Make sure the door hinge notch is engaged on the bottom of the oven cavity slot.



IMPORTANT: Do not close the door at this step or damage may occur to the door hinge.

- Lower the oven door to the fully open position. If the oven door does not open to a full 90°, repeat steps 1 through 3.
- Locate the oven door hinge locks in the corners of the oven door, and rotate the hinge locks toward the oven cavity to the locked position.



- After the door hinges have been locked, gently swing the door upward to close. The door should not be forced closed.
- When the hinges are properly installed and the door is closed, there should be an even gap between the door and the control panel. If one side of the oven door is lower than the other, the hinge on that side is not properly installed. See the "Remove Oven Door(s)" and "Replace Oven Door(s)" sections.

Positioning Oven Feet for Multiple Cabinet Cutout Heights

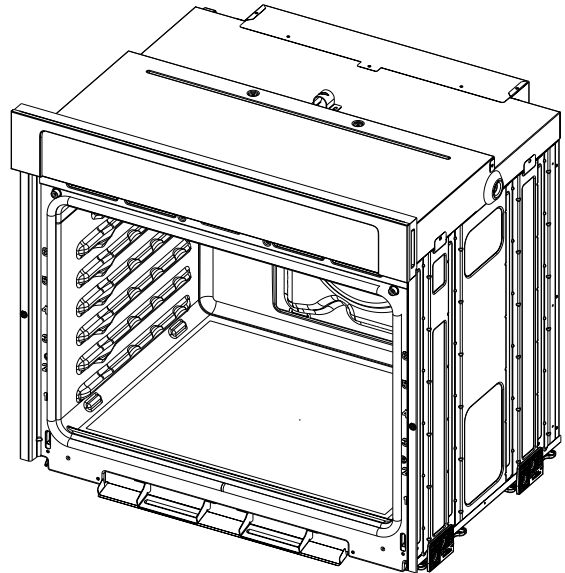
Single Ovens

The positioning of the oven feet allow a single oven to be installed in a cutout height between $26\frac{15}{16}$ " and $29\frac{7}{16}$ " (68.4 cm and 74.8 cm). Refer to the following instructions to position the feet for the size of your cabinet cutout.

Cutout Height Is Between $27\frac{5}{8}$ " and $28\frac{5}{8}$ " (70.2 cm and 72.7 cm)

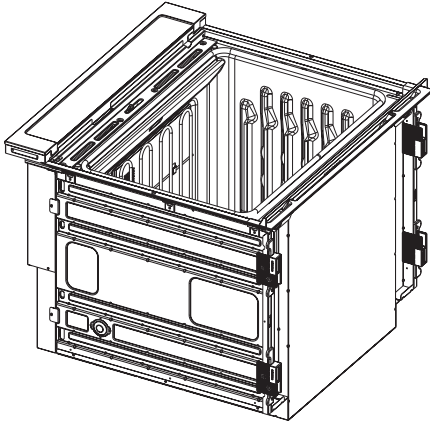
The oven feet do not need to be changed. They are positioned correctly as received.

Go to the "Make Electrical Connection" section.



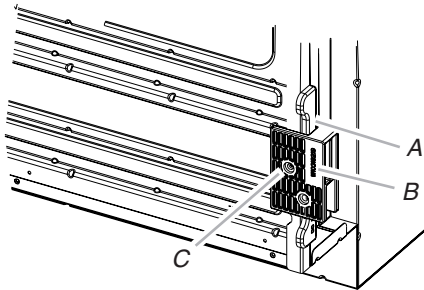
**Cutout Height Is Between 26¹⁵/₁₆" and 27¹¹/₁₆"
(68.4 cm and 70.3 cm)**

1. Using two or more people, place the oven on its back on a covered surface.



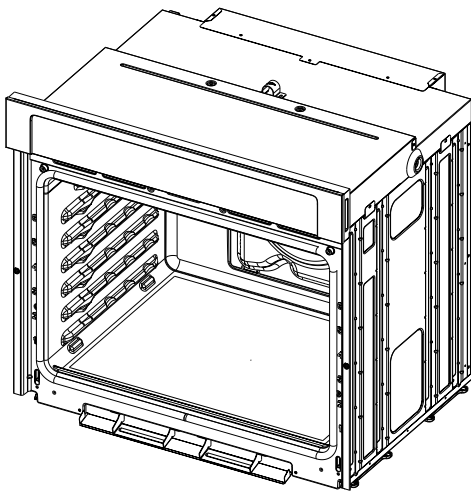
2. Remove the foot from the right front spacer by removing the #8-18 x 3/8" (9.5 mm) screw.

NOTE: Do not remove the spacer.



A. Spacer
B. Foot
C. #8-18 x 3/8" (9.5 mm) screw

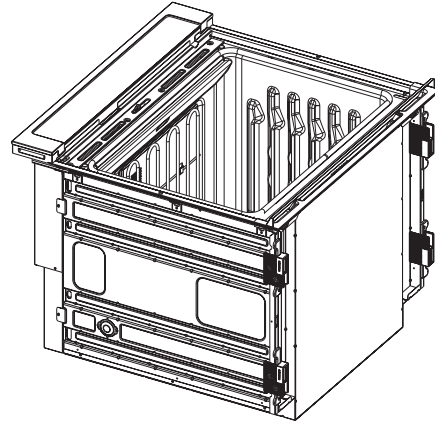
3. In the same manner, remove the feet on the right rear, left front, and left rear of the oven.
4. Using two or more people, place the oven in its upright position.



5. Go to the "Make Electrical Connection" section.

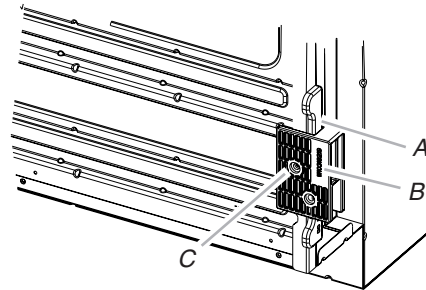
**Cutout Height Is Between 28¹¹/₁₆" and 29⁷/₁₆"
(72.8 cm and 74.8 cm)**

1. Using two or more people, place the oven on its back on a covered surface.



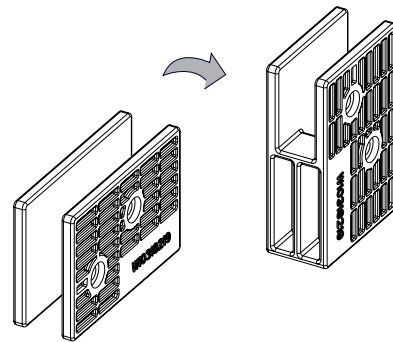
2. Remove the foot from the right front spacer by removing the #8-18 x 3/8" (9.5 mm) screw.

NOTE: Do not remove the spacer.

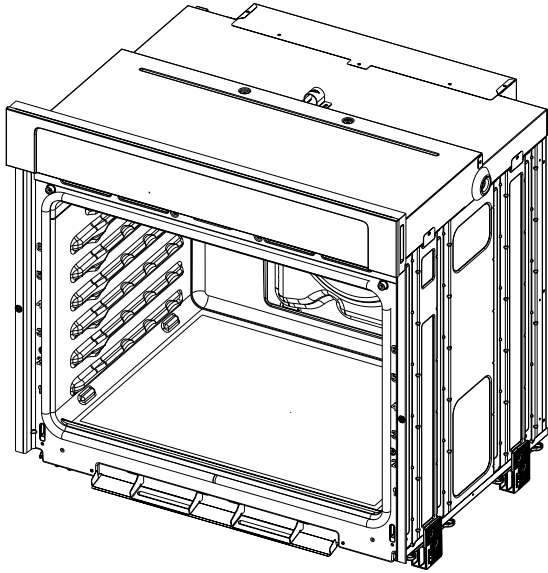


A. Spacer
B. Foot
C. #8-18 x 3/8" (9.5 mm) screw

3. Rotate the foot 90°, so the short side of the foot is positioned toward the top of the oven.



4. Reinstall the foot to the spacer using the #8-18 x 3/8" (9.5 mm) screw previously removed.
5. In the same manner, remove, rotate, and reinstall the feet on the right rear, left front, and left rear of the oven.
6. Using two or more people, place the oven in its upright position.



7. Go to the "Make Electrical Connection" section.

Double Ovens

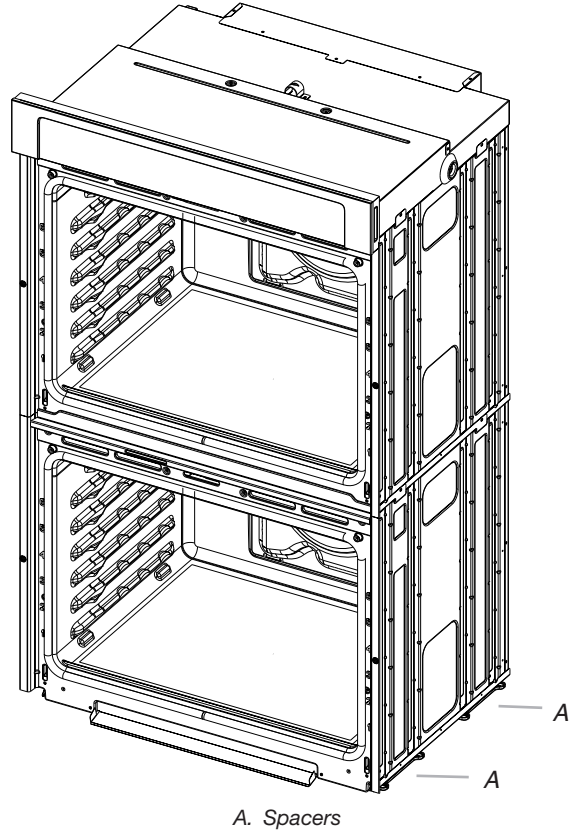
The positioning of the oven feet allow a double oven to be installed in a cutout height between 48⁷/₈" and 52³/₁₆" (124.1 cm and 132.6 cm). Refer to the following instructions to position the feet for the size of your cabinet cutout.

Cutout Height Is Between 48⁷/₈" and 50⁷/₁₆" (124.1 cm and 128.1 cm)

The oven feet do not need to be installed. The oven is configured correctly as received.

NOTE: Do not remove the spacers.

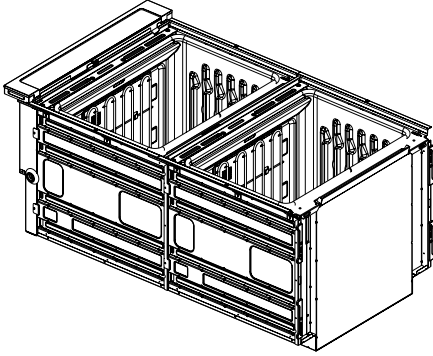
Go to the "Make Electrical Connection" section.



A. Spacers

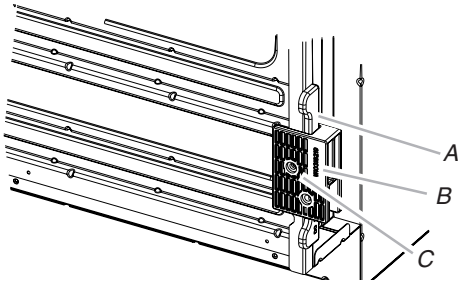
**Cutout Height Is Between 50¹/₂" and 51¹/₈"
(128.2 cm and 129.9 cm)**

1. Using two or more people, place the oven on its back on a covered surface.



2. Install a foot on the left rear spacer using a #8-18 x 3/8" (9.5 mm) screw.

NOTE: Position the foot so the long side of the foot is facing toward the top of the oven.

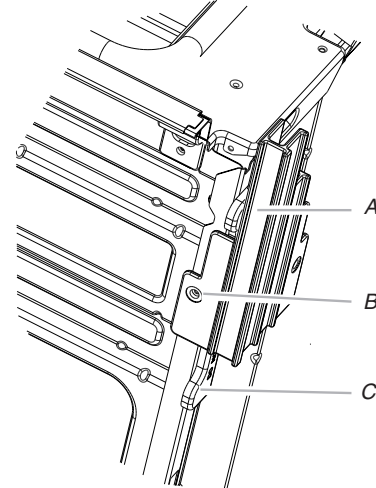


A. Spacer
B. Foot
C. #8-18 x 3/8" (9.5 mm) screw

3. In the same manner, install a foot on the right rear of the oven.

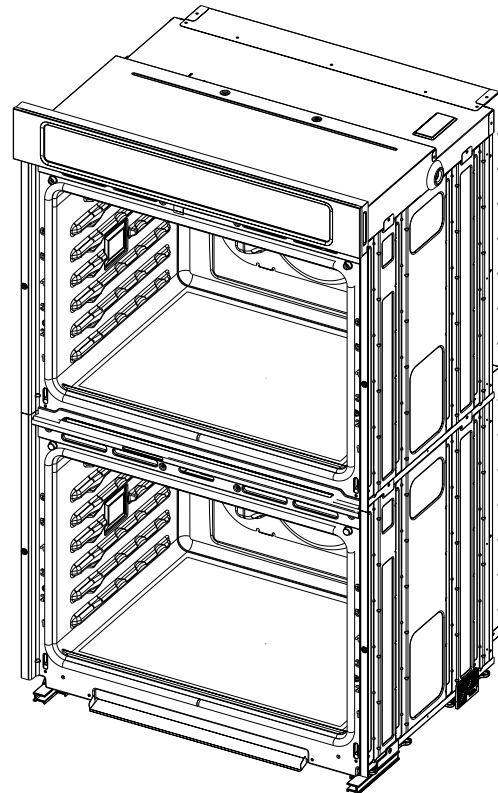
4. Install a front foot on the left front spacer using a #8-18 x 3/8" (9.5 mm) screw.

NOTE: Position the foot so the long side of the foot is facing toward the inside of the oven.



A. Front foot
B. #8-18 x 3/8" (9.5 mm) screw
C. Spacer

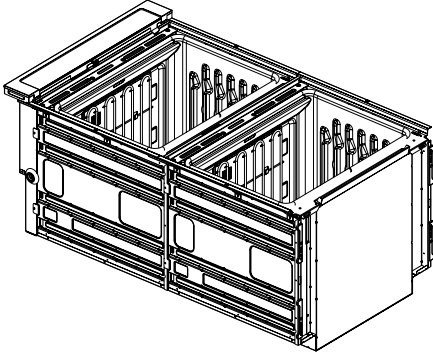
5. In the same manner, install a front foot on the right front of the oven.
6. Using two or more people, place the oven in its upright position.



7. Go to the "Make Electrical Connection" section.

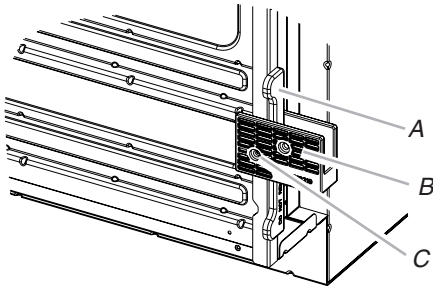
**Cutout Height Is Between 51³/₁₆" and 52³/₁₆"
(130 cm and 132.6 cm)**

1. Using two or more people, place the oven on its back on a covered surface.



2. Install a foot on the left rear spacer using a #8-18 x 3/8" (9.5 mm) screw.

NOTE: Position the foot so the short side of the foot is facing toward the top of the oven.

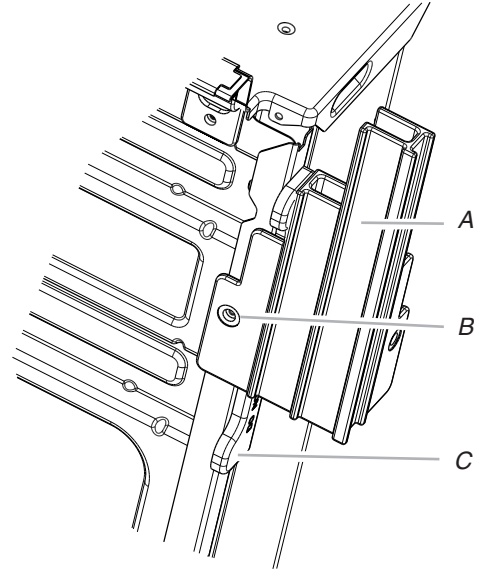


A. Spacer
B. Foot
C. #8-18 x 3/8" (9.5 mm) screw

3. In the same manner, install a foot on the right rear of the oven.

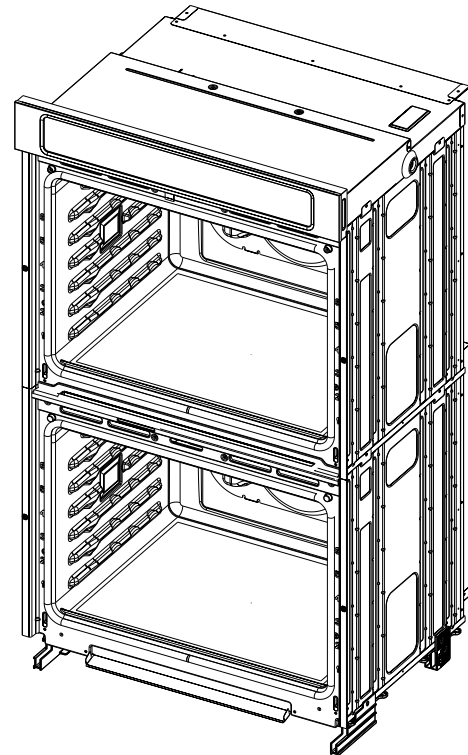
4. Install a front foot on the left front using a #8-18 x 3/8" (9.5 mm) screw.

NOTE: Position the foot so the long side of the foot is facing toward the top of the oven.



A. Front foot
B. #8-18 x 3/8" (9.5 mm) screw
C. Spacer

5. In the same manner, install a front foot on the right front of the oven.
6. Using two or more people, place the oven in its upright position.



7. Go to the "Make Electrical Connection" section.

Make Electrical Connection

For Double Ovens

⚠ WARNING



Electrical Shock Hazard

Disconnect power before servicing.

Use 8 gauge copper wire.

Electrically ground oven.

Failure to follow these instructions can result in death, fire, or electrical shock.

For Single Ovens

⚠ WARNING



Electrical Shock Hazard

Disconnect power before servicing.

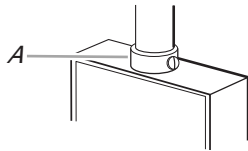
Use 12 gauge copper wire.

Electrically ground oven.

Failure to follow these instructions can result in death, fire, or electrical shock.

This oven is manufactured with a neutral (white) power supply wire and a cabinet-connected green (or bare) ground wire twisted together.

1. Disconnect power.
2. Feed the flexible conduit from the oven through the opening in the cabinet.
3. Remove junction box cover if it is present.
4. Install a UL Listed or CSA Approved conduit connector to the junction box.

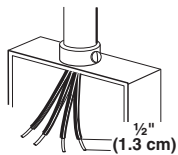


A. UL Listed or CSA Approved conduit connector

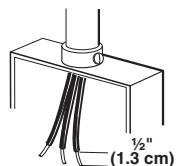
5. Route the flexible conduit from the oven to the junction box through a UL Listed or CSA Approved conduit connector.
6. Tighten screws on conduit connector.
7. See the "Electrical Connection Options Chart" to complete installation for your type of electrical connection.

Electrical Connection Options Chart

| If your home has: | Go to section: |
|-------------------|-------------------------------------|
| 4-wire | 4-Wire Cable from Home Power Supply |

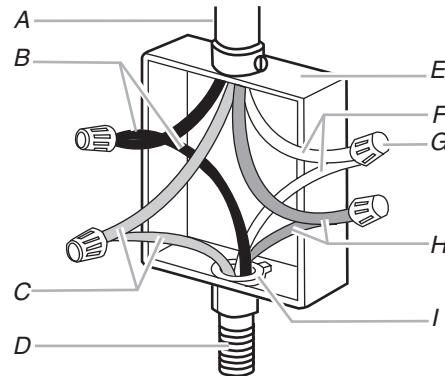


| | |
|--------|-------------------------------------|
| 3-wire | 3-Wire Cable from Home Power Supply |
|--------|-------------------------------------|



4-Wire Cable from Home Power Supply

IMPORTANT: Use the 4-wire cable from home power supply in the U.S. where local codes do not allow grounding through neutral, New Branch circuit installations (1996 NEC), mobile homes and recreational vehicles, new construction, and in Canada.

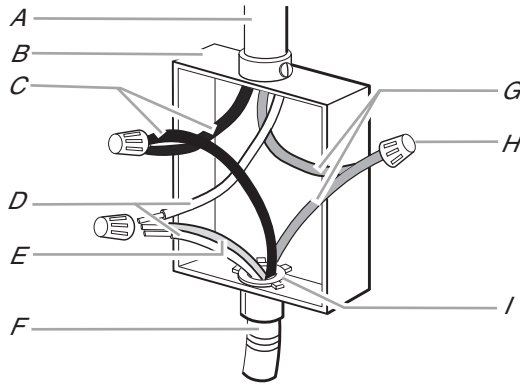


- | | |
|--------------------------------------|--|
| A. Cable from home power supply | F. White wires |
| B. Black wires | G. UL Listed wire connectors |
| C. Red wires | H. Green (or bare) ground wires |
| D. 4-wire flexible conduit from oven | I. UL Listed or CSA Approved conduit connector |
| E. Junction box | |

1. Connect the two black wires (B) together using a UL Listed wire connector.
2. Connect the two red wires (C) together using a UL Listed wire connector.
3. Untwist white wire from green (or bare) ground wire coming from the oven.
4. Connect the two white wires (F) together using a UL Listed wire connector.
5. Connect the green (or bare) ground wire (H) from the oven cable to the green (or bare) ground wire (in the junction box) using a UL Listed wire connector.
6. Install junction box cover.

3-Wire Cable from Home Power Supply: U.S. Only

IMPORTANT: Use the 3-wire cable from home power supply where local codes permit a 3-wire connection.



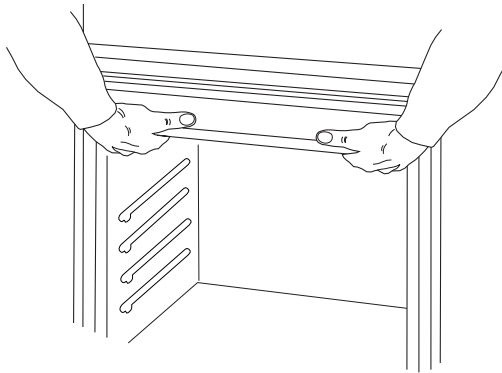
- | | |
|--|--|
| A. Cable from home power supply | F. 4-wire flexible conduit from oven |
| B. Junction box | G. Red wires |
| C. Black wires | H. UL Listed wire connectors |
| D. White wires | I. UL Listed or CSA Approved conduit connector |
| E. Green (or bare) ground wire (from oven) | |

1. Connect the two black wires (C) together using a UL Listed wire connector.
2. Connect the two white wires (D) and the green (or bare) ground wire (of the oven cable) using a UL Listed wire connector.
3. Connect the two red wires (G) together using a UL Listed wire connector.
4. Install junction box cover.

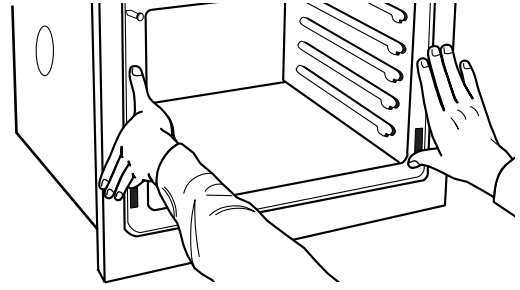
Install Oven

1. Using two or more people, lift the oven partially into the cabinet cutout. Use the oven opening as an area to grip.

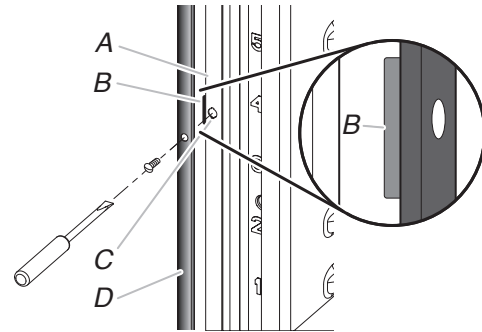
NOTE: Push against seal area of the oven front frame when pushing the oven into the cabinet. Do not push against the outside edges.



2. Push against the seal area of the front frame to push the oven into the cabinet until the back surface of the front frame touches the front wall of the cabinet.



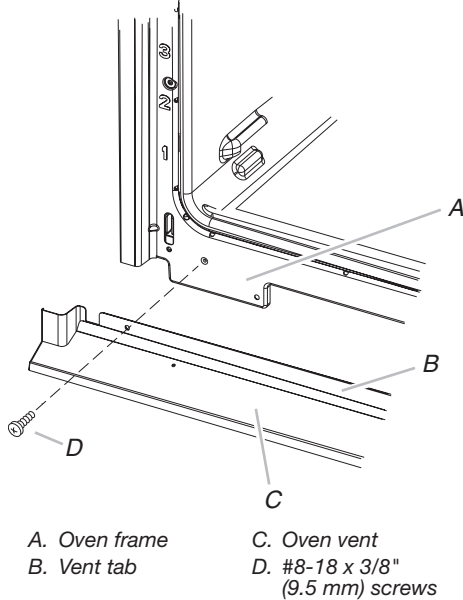
3. Push oven completely into the cabinet and center the oven into the cabinet cutout.
4. Remove the tape from the black front trim, and remove the zip tie from the mounting spacer.
 - Securely fasten the oven to the cabinet using the #8-14 x 1" (2.5 cm) screws provided.
 - Insert the screws through holes in black trim, aligning with the holes in oven frame and mounting spacers already in place. Do not overtighten screws.



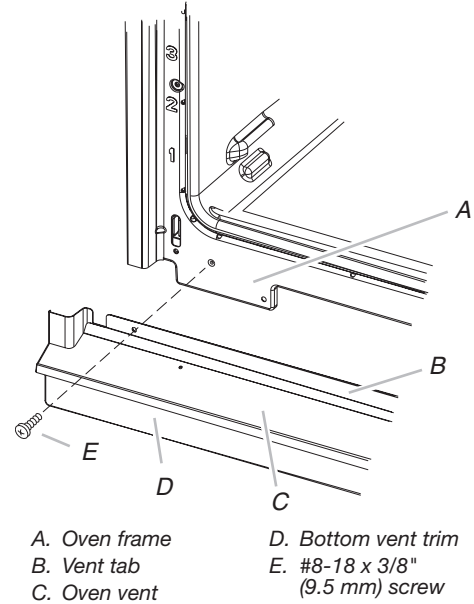
- | |
|---------------------|
| A. Oven frame |
| B. Mounting spacer |
| C. Oven frame hole |
| D. Black trim piece |

5. The bottom vent and bottom vent trim (required when the oven is installed with the feet in the tall position) are shipped in the foam packing at the top of the oven. To install only the bottom vent, see the following instructions. To install both the bottom vent and the bottom vent trim for installations with the feet in the tall position, see the instructions in Step 6.

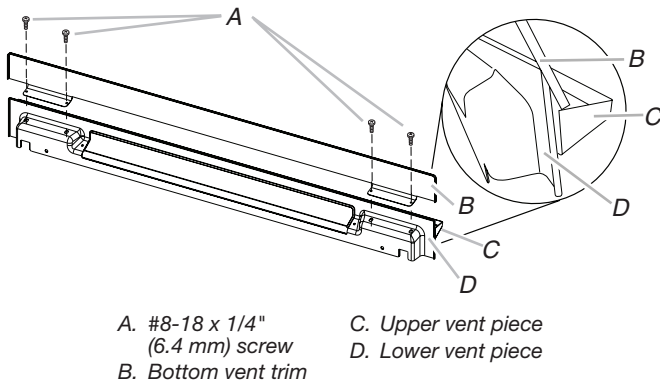
- Align vent tab (B) with oven frame (A) as shown.
- Using one #8-18 x 3/8" (9.5 mm) screw (D) on each side of the vent tab (B), fasten the vent securely to the oven.



- Align vent tab (B) with oven frame (A) as shown.
- Using one #8-18 x 3/8" (9.5 mm) screw (E) on each side of the vent tab (B), fasten the vent securely to the oven.



6. On models with the feet installed in the tall position, the bottom vent trim must also be installed. See the following instructions to install.
- Flex the upper vent piece (C) away from the lower vent piece (D) to slide the bottom vent trim (B) between them. Some force may be required to flex the upper vent trim (C) away from the lower vent trim (D). Some force may also be required to flex the bottom vent trim (B) and slide it into position. Make sure screw holes are properly aligned between the two pieces. See the following illustration.
 - Install the bottom vent trim (B) to the lower vent piece (D) using two #8-18 x 1/4" (6.4 mm) screws on each side.



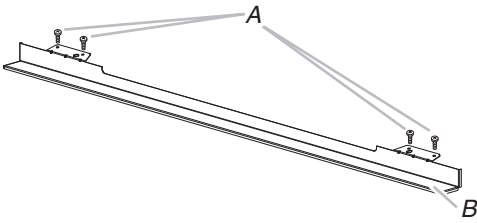
7. Replace the oven racks.
8. Replace the oven door. See the "Replace Oven Door(s)" section.
9. Check that the door is free to open and close. If it is not, repeat the removal and installation procedures. See the "Prepare Built-In Oven" section.
10. Repeat for lower oven door.
11. Reconnect power.
12. The display panel will light briefly, and "PF" should appear in the display.
13. If the display panel does not light, reference the "Warranty" section of the Use and Care Guide.

Install Warming Drawer Deflector Kit

(Only for Ovens Installed Above Warming Drawers)

On single and double oven models installed above a warming drawer, a warming drawer deflector kit must be installed. See the "Tools and Parts" section for information on ordering.

Parts Supplied in Deflector Kit

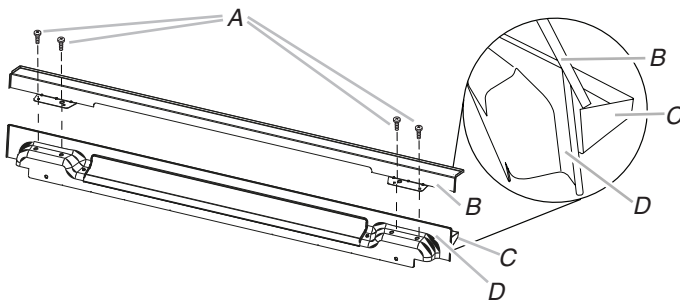


- A. Phillips-head screws (4)
only 2 screws for 27" (68.6 cm) size
B. Warming drawer deflector (1)

Install Deflector Kit

1. Flex the upper vent piece (C) away from the lower vent piece (D) to slide the warming drawer deflector (B) between them. Some force may be required to flex the upper vent trim (C) away from the lower vent trim (D). Some force may also be required to flex the warming drawer deflector (B) and slide it into position. Make sure screw holes are properly aligned between the two pieces. See the following illustration.
2. Install the warming drawer deflector (B) to the lower vent piece (D) using two #8-18 x 1/4" (6.4 mm) screws on each side.

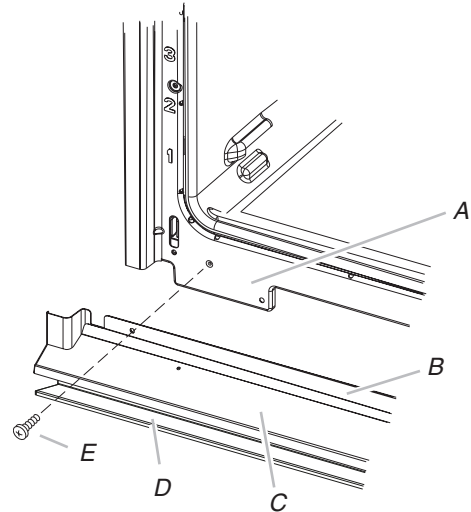
NOTE: On 27" (68.6 cm) models, only one #8-18 x 1/4" (6.4 mm) screw is used on each side.



- A. #8-18 x 1/4" (6.4 mm) screws
B. Warming drawer deflector
C. Upper vent piece
D. Lower vent piece

3. Align vent tab (B) with oven frame (A) as shown in the following illustration.

4. Using one #8-18 x 3/8" (9.5 mm) screw (E) on each side of the vent tab (B), fasten the vent securely to the oven.



- A. Oven frame
B. Vent tab
C. Oven vent
D. Warming drawer deflector
E. #8-18 x 3/8" (9.5 mm) screw

Complete Installation

1. Check that all parts are now installed. If there is an extra part, go back through the steps to see which step was skipped.
2. Check that you have all of your tools.
3. Dispose of/recycle all packaging materials.
4. For oven use and cleaning, read the Use and Care Guide.

Check Operation of Single and Double Ovens

1. At first use, set up the language, clock, and any other preferences if available. For more information, read the Use and Care Guide.
2. Press OVEN on single oven models.
NOTE: Press UPPER or LOWER on double oven models.
3. Select Cooking Methods.
4. Select Broil.
5. Set the temperature.
6. Select Start.

If Oven(s) Does Not Operate, Check the Following:

- Household fuse is intact and tight, or circuit breaker has not tripped.
 - Electrical supply is connected.
 - See the "Troubleshooting" section in the Use and Care Guide.
7. When oven has been on for 5 minutes, feel for heat.
If you do not feel heat or if an error message appears in the display, turn off the oven and contact a qualified technician.
 8. Press UPPER or LOWER on double ovens, or press OVEN on single ovens, to cancel.

If You Need Assistance or Service:

Please reference the "Warranty" section of the Use and Care Guide.

SÉCURITÉ DU FOUR ENCASTRÉ

Votre sécurité et celle des autres est très importante.

Nous donnons de nombreux messages de sécurité importants dans ce manuel et sur votre appareil ménager. Assurez-vous de toujours lire tous les messages de sécurité et de vous y conformer.



Voici le symbole d'alerte de sécurité.

Ce symbole d'alerte de sécurité vous signale les dangers potentiels de décès et de blessures graves à vous et à d'autres.

Tous les messages de sécurité suivront le symbole d'alerte de sécurité et le mot "DANGER" ou "AVERTISSEMENT". Ces mots signifient :

⚠ DANGER

Risque possible de décès ou de blessure grave si vous ne suivez pas immédiatement les instructions.

⚠ AVERTISSEMENT

Risque possible de décès ou de blessure grave si vous ne suivez pas les instructions.

Tous les messages de sécurité vous diront quel est le danger potentiel et vous disent comment réduire le risque de blessure et ce qui peut se produire en cas de non-respect des instructions.

EXIGENCES D'INSTALLATION

Outillage et pièces

Rassembler les outils et composants nécessaires avant d'entreprendre l'installation. Lire et observer les instructions fournies avec chacun des outils de la liste ci-dessous.

Outils nécessaires

- Tournevis Phillips
- Mètre ruban
- Perceuse manuelle ou électrique (pour installation dans un placard mural)
- Foret de 1" (2,5 cm) (pour installation dans un placard mural)
- Niveau
- Tournevis à lame plate

Pièces nécessaires

- Connecteur de conduit (homologation UL ou CSA)
- Connecteurs de fils (homologation UL)
- Ensemble de déflecteur pour tiroir-réchaud (pour les fours installés par-dessus un tiroir-réchaud)

| Couleur | Taille | Type | Trousse de déflecteur pour tiroir-réchaud |
|------------------------|--------|---------------|---|
| Blanc | 27" | Simple/Double | W10510613 |
| Blanc | 30" | Simple/Double | W10510614 |
| Noir | 27" | Simple/Double | W10531009 |
| Noir | 30" | Simple/Double | W10531010 |
| Acier inox. | 27" | Simple/Double | W10536338 |
| Acier inox. | 30" | Simple/Double | W10536339 |
| Bronze/ acier inox. | 27" | Simple/Double | W10888988 |
| Bronze/ acier inox. | 30" | Simple/Double | W10727416 |
| Bronze | 30" | Simple/Double | W11123007 |

Pour commander, voir la section "Assistance ou service" du Guide d'utilisation et d'entretien.

- Ensemble d'installation en affleurement (pour four simple et double installé en affleurement)

| Couleur | Taille | Type | Trousse pour installation en affleurement |
|------------------------|--------|---------------|---|
| Blanc | 27" | Simple/Double | W11173681 |
| Blanc | 30" | Simple/Double | W11173683 |
| Noir | 27" | Simple/Double | W11173685 |
| Noir | 30" | Simple/Double | W11173691 |
| Acier inox. | 27" | Simple/Double | W11173693 |
| Acier inox. | 30" | Simple/Double | W11123003 |
| Bronze/ acier inox. | 27" | Simple/Double | W11173700 |
| Bronze/ acier inox. | 30" | Simple/Double | W11173703 |
| Bronze | 30" | Simple/Double | W11123005 |

Pour commander, voir la section "Assistance ou service" du Guide d'utilisation et d'entretien.

Pièces fournies

- Vis n° 8-14 x 3/4" (19 mm) : four simple (2), four double (4)
- Vis n° 8-18 x 3/8" (9,5 mm) : évent inférieur (2)
- Vis n° 8-18 x 1/4" (6,4 mm) : garniture de l'évent inférieur (4)
- Vis n° 8-18 x 3/8" (9,5 mm) : pieds du four double (4)
- Évent inférieur
- Garniture de l'évent
- Pieds arrière : four double (2)
- Pieds avant : four double (2)

Consulter les codes locaux. Vérifier l'alimentation électrique existante. Voir la section "Spécifications électriques".

Tous les raccordements électriques doivent être effectués par un électricien qualifié agréé.

Exigences d'emplacement

IMPORTANT : Observer les dispositions de tous les codes et règlements en vigueur.

- Respecter les dimensions indiquées pour les ouvertures à découper dans les placards. Ces dimensions prennent en compte les dégagements de séparation nécessaires.
- L'espace d'installation doit permettre la formation d'une enceinte complète autour de la partie encastrée du four.
- Une source d'électricité avec liaison à la terre est nécessaire. Voir la section "Spécifications électriques".
- Le boîtier de raccordement doit être situé 3" (7,6 cm) au-dessus de l'ouverture d'encastrement ou à un maximum 3" (7,6 cm) au-dessous de la surface de support lorsque le four est installé dans un placard mural. Un trou de diamètre 1" (2,5 cm) ou plus doit avoir été percé dans la partie supérieure de l'angle arrière gauche ou droit de la surface de la paroi latérale pour le passage du câble d'alimentation de l'appareil jusqu'au boîtier de connexion.

REMARQUE : Pour l'installation sous un plan de travail, on recommande que le boîtier de connexion soit situé dans le placard adjacent, à droite ou à gauche. Dans le cas de l'installation du boîtier de connexion sur le mur arrière, derrière le four, le boîtier de connexion doit être encastré et placé au centre de la partie supérieure du placard.

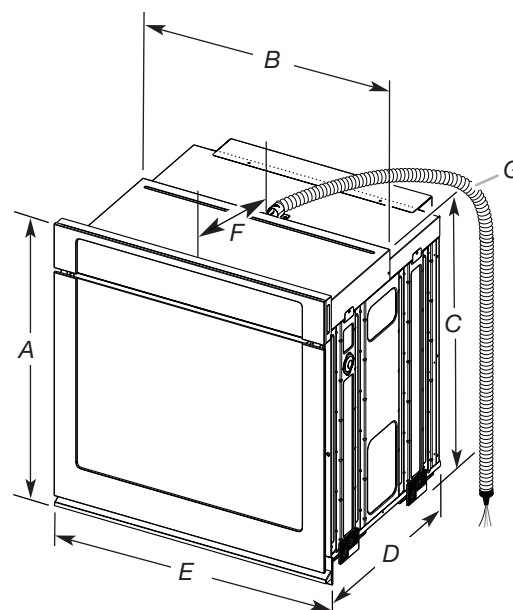
- La surface de support du four doit être robuste, horizontale et en affleurement avec le bas de l'ouverture découpée dans le placard.
- Le plancher doit pouvoir supporter le poids d'un four simple de 129 lb (59 kg) pour les modèles de 27" (68,6 cm) ou 154 lb (70 kg) pour les modèles de 30" (76,2 cm).
- Le plancher doit pouvoir supporter le poids d'un four double de 251 lb (114 kg) pour les modèles de 27" (68,6 cm) ou 288 lb (131 kg) pour les modèles de 30" (76,2 cm).

IMPORTANT : Afin d'éviter d'endommager les placards, consulter le constructeur de la maison ou le fabricant des placards pour déterminer si les matériaux utilisés peuvent subir un changement de couleur, une déstratification ou d'autres dommages. Ce four a été conçu conformément aux exigences des normes UL et CSA International et respecte les températures maximales permises de 194 °F (90 °C) pour les placards en bois.

Installation sous un plan de travail (avec table de cuisson installée au-dessus) :

Consulter "Four installé sous la table de cuisson — Dimensions pour l'ouverture à découper" (document distinct) Voir le site Web du produit pour la liste des modèles de table de cuisson approuvés pour une utilisation au-dessus des modèles de four mural de sélection.

Dimensions du produit — Fours simples



Modèles de 27" (68,6 cm)

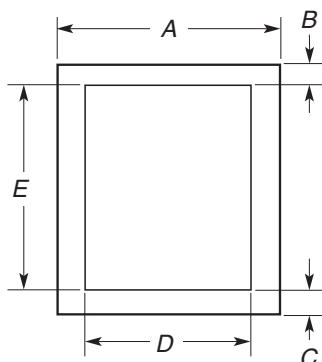
- A. Hauteur hors-tout 28³/₄" (72,8 cm) max.
- B. Largeur d'encastrement 25⁷/₁₆" (64,6 cm) max.
- C. Hauteur d'encastrement 26³/₄" (67,9 cm)
- D. Profondeur d'encastrement 23¹/₄" (59,1 cm) max.
- E. Largeur hors-tout 27" (68,6 cm)
- F. 12" (30,5 cm) de l'arrière du tableau de commande jusqu'à l'extrémité avant du serre-câble
- G. 48" (121,9 cm) de longueur du conduit flexible

Modèles de 30" (76,2 cm)

- A. Hauteur hors-tout 28³/₄" (72,8 cm) max.
- B. Largeur d'encastrement 28¹/₂" (72,4 cm) max.
- C. Hauteur d'encastrement 26³/₄" (67,9 cm)
- D. Profondeur d'encastrement 23¹/₄" (59,1 cm)
- E. Largeur hors-tout 30" (76,2 cm)
- F. 12" (30,5 cm) de l'arrière du tableau de commande jusqu'à l'extrémité avant du serre-câble
- G. 48" (121,9 cm) de longueur du conduit flexible

Dimensions du placard – Fours simples

Four simple sous le plan de travail (sans table de cuisson au-dessus)



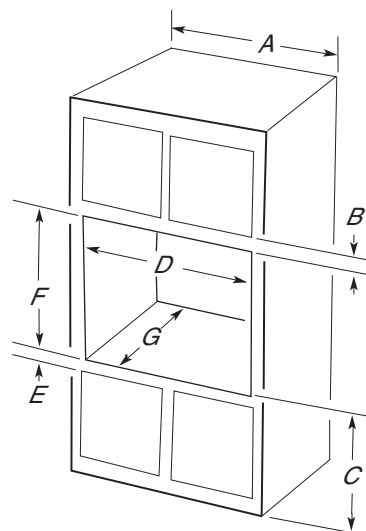
Modèles de 27" (68,6 cm)

- A. Largeur du placard 27" (68,6 cm) min.
- B. 1 1/2" (3,8 cm) min. entre le sommet de l'ouverture découpée et la face inférieure du plan de travail
- C. 5 1/4" (13,3 cm) entre le bas de l'ouverture découpée et le sol
- D. Largeur de l'ouverture découpée 25 1/2" (64,8 cm)
- E. Hauteur de l'ouverture découpée 28" (71,2 cm) min.

Modèles de 30" (76,2 cm)

- A. Largeur du placard 30" (76,2 cm) min.
- B. 1 1/2" (3,8 cm) min. entre le sommet de l'ouverture découpée et la face inférieure du plan de travail
- C. 5 1/4" (13,3 cm) entre le bas de l'ouverture découpée et le sol
- D. Largeur de l'ouverture découpée 28 1/2" (72,4 cm)
- E. Hauteur de l'ouverture découpée 28" (71,2 cm) min.

Fours simples installés dans un placard



Modèles de 27" (68,6 cm)

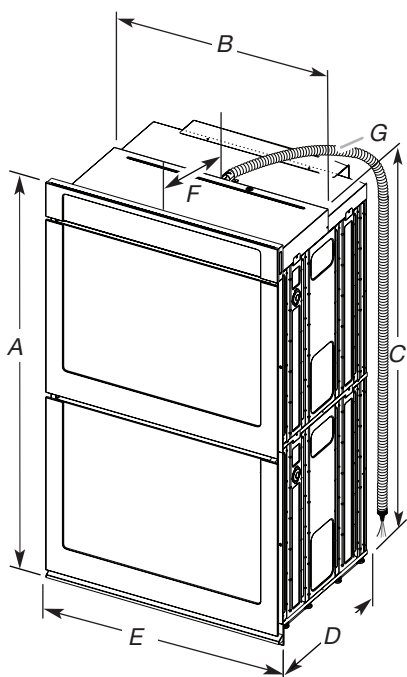
- A. Largeur du placard 27" (68,6 cm) min.
- B. 1" (2,5 cm) entre le sommet de l'ouverture découpée et le bas de la porte du placard supérieur
- C. 32" (81,3 cm) entre le bas de l'ouverture découpée et le sol
- D. Largeur de l'ouverture découpée 25 1/2" (64,8 cm)
- E. 1 1/2" (3,8 cm) min. entre le bas de l'ouverture découpée et le sommet de la porte du placard
- F. Hauteur de l'ouverture découpée recommandée 28" (71,2 cm)*
- G. Profondeur de l'ouverture 24" (60,7 cm)

Modèles de 30" (76,2 cm)

- A. Largeur du placard 30" (76,2 cm) min.
- B. 1" (2,5 cm) entre le sommet de l'ouverture découpée et le bas de la porte du placard supérieur
- C. 32" (81,3 cm) entre le bas de l'ouverture découpée et le sol
- D. Largeur de l'ouverture découpée 28 1/2" (72,4 cm)
- E. 1 1/2" (3,8 cm) min. entre le bas de l'ouverture découpée et le sommet de la porte du placard
- F. Hauteur de l'ouverture découpée recommandée 28" (71,2 cm)*
- G. Profondeur de l'ouverture 24" (60,7 cm)

***REMARQUE :** Pour les fours simples, la hauteur de l'ouverture découpée peut être comprise entre 26¹⁵/₁₆" (68,4 cm) et 29⁷/₁₆" (74,8 cm).

Dimensions du produit — Fours doubles



Modèles de 27" (68,6 cm)

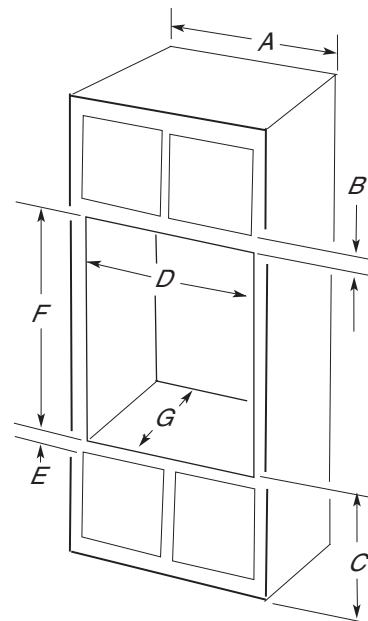
- A. Hauteur hors-tout 51³/₁₆" (130,0 cm) max.
- B. Largeur d'encastrement 25⁷/₁₆" (64,6 cm) max.
- C. Hauteur d'encastrement 48¹³/₁₆" (124,0 cm)
- D. Profondeur d'encastrement 23¹/₄" (59,1 cm) max.
- E. Largeur hors-tout 27" (68,6 cm)
- F. 12" (30,5 cm) de l'arrière du tableau de commande jusqu'à l'extrémité avant du serre-câble
- G. 66" (167,6 cm) de longueur du conduit flexible

Modèles de 30" (76,2 cm)

- A. Hauteur hors-tout 51³/₁₆" (130,0 cm) max.
- B. Largeur d'encastrement 28¹/₂" (72,4 cm) max.
- C. Hauteur d'encastrement 48¹³/₁₆" (124,0 cm)
- D. Profondeur d'encastrement 23¹/₄" (59,1 cm) max.
- E. Largeur hors-tout 30" (76,2 cm)
- F. 12" (30,5 cm) de l'arrière du tableau de commande jusqu'à l'extrémité avant du serre-câble
- G. 66" (167,6 cm) de longueur du conduit flexible

Dimensions du placard — Fours doubles

Fours doubles installés dans un placard



Modèles de 27" (68,6 cm)

- A. Largeur du placard 27" (68,6 cm) min.
- B. 1" (2,5 cm) entre le sommet de l'ouverture découpée et la porte du placard supérieur
- C. 14³/₄" (37,5 cm) entre le bas de l'ouverture découpée et le sol est la distance recommandée. 4-14³/₄" (10,2-37,5 cm) entre le bas de l'ouverture découpée et le sol est une distance acceptable.
- D. Largeur de l'ouverture découpée 25¹/₂" (64,8 cm)
- E. 1¹/₂" (3,8 cm) min. entre le bas de l'ouverture découpée et le sommet de la porte du placard
- F. Hauteur de l'ouverture découpée recommandée 50¹/₄" (127,6 cm) min.*
- G. Profondeur de l'ouverture 24" (60,7 cm)

Modèles de 30" (76,2 cm)

- A. Largeur du placard 30" (76,2 cm) min.
- B. 1" (2,5 cm) entre le sommet de l'ouverture découpée et la porte du placard supérieur
- C. 14³/₄" (37,5 cm) entre le bas de l'ouverture découpée et le sol est la distance recommandée. 4-14³/₄" (10,2-37,5 cm) entre le bas de l'ouverture découpée et le sol est une distance acceptable.
- D. Largeur de l'ouverture découpée 28¹/₂" (72,4 cm)
- E. 1¹/₂" (3,8 cm) min. entre le bas de l'ouverture découpée et le sommet de la porte du placard
- F. Hauteur de l'ouverture découpée recommandée 50¹/₄" (127,6 cm) min.*
- G. Profondeur de l'ouverture 24" (60,7 cm)

***REMARQUE :** Pour les fours doubles, la hauteur de l'ouverture découpée peut être comprise entre 48⁷/₈" et 52³/₁₆" (124,1 cm et 132,6 cm).

Spécifications électriques

Si on utilise un conducteur distinct de liaison à la terre lorsque les codes le permettent, il est recommandé qu'un électricien qualifié vérifie que la liaison à la terre et le calibre pour fils sont conformes aux codes locaux.

En cas de doute quant à la qualité de la liaison à la terre du four, consulter un électricien qualifié.

Ce four doit être raccordé à un système permanent, métallique de câblage relié à la terre.

S'assurer que la connexion électrique et le calibre des fils sont appropriés et conformes au National Electrical Code, aux normes ANSI/NFPA 70 — dernière édition, ou aux normes CSA C22.1-94, au Code canadien de l'électricité, Partie 1 et C22.2 N° O-M91 — dernière édition, et à tous les codes et règlements locaux.

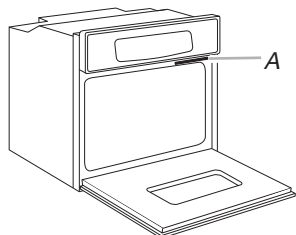
Pour obtenir un exemplaire de la norme des codes ci-dessus, contacter :

National Fire Protection Association
1 Batterymarch Park
Quincy, MA 02169-7471
CSA International
8501 East Pleasant Valley Road
Cleveland, OH 44131-5575

Raccordement électrique

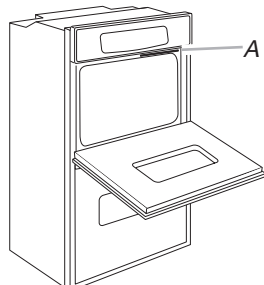
Pour installer le four correctement, il faut établir le type de raccords électriques que l'on utilisera et suivre les instructions indiquées ici.

- Le four doit être alimenté par une source d'électricité appropriée (caractéristiques de tension et fréquence spécifiées sur la plaque signalétique). La plaque signalétique est située sous le tableau de commande pour les fours simples et sous le tableau de commande de la cavité supérieure du four pour les fours doubles. Voir l'illustration ci-dessous.



Four simple

A. Plaque signalétique



Four double

A. Plaque signalétique

- Les modèles à 240 volts de 7,3 à 9,6 kW (208 volts de 6,3 à 8,3 kW) doivent être alimentés par un circuit indépendant de 40 A. Les modèles à 240 volts de 4,9 à 7,2 kW (208 volts de 4,3 à 6,2 kW) doivent être alimentés par un circuit indépendant de 30 A. Un modèle à 240 volts de 4,8 kW ou moins (208 volts de 4,2 kW ou moins) doit être alimenté par un circuit indépendant de 20 A.
- On recommande d'utiliser un disjoncteur.
- Raccorder l'appareil directement au coupe-circuit avec fusible ou au disjoncteur par un câble à conducteur de cuivre et gaine métallique flexible ou gaine non métallique (avec conducteur de liaison à la terre). Voir la section "Raccordement électrique".
- Le câble blindé flexible du four doit être connecté directement dans le boîtier de connexion.
- Protéger par fusible les deux extrémités de la ligne.
- Ne pas couper le conduit. La longueur du conduit fournie est destinée à faciliter l'entretien du four.
- L'installateur doit fournir un connecteur de conduit (homologation UL ou CSA).
- Si le domicile est équipé d'un câblage en aluminium, suivre les instructions suivantes :

Connecter le câblage en aluminium en utilisant des connecteurs et/ou des outils spécialement conçus et homologués UL pour fixer le cuivre à l'aluminium.

Appliquer la procédure recommandée par le fabricant des connecteurs. La connexion aluminium/cuivre doit être conforme aux codes locaux et aux pratiques de câblage acceptées par l'industrie.

| Séries | Tension | Fréquence | Évaluation |
|---------------------------------|--------------|-----------|------------|
| WOD97EC/ WODA7EC/ WOD77EC | 120/240 V CA | 60 Hz | 8 kW |
| | 120/208 V CA | 60 Hz | 6 kW |
| WOS97EC/ WOSA2EC/ WOS72EC | 120/240 V CA | 60 Hz | 4 kW |
| | 120/208 V CA | 60 Hz | 3 kW |
| WOD51EC | 120/240 V CA | 60 Hz | 7.6 kW |
| | 120/208 V CA | 60 Hz | 5.7 kW |
| WOS51EC | 120/240 V CA | 60 Hz | 3.9 kW |
| | 120/208 V CA | 60 Hz | 2.9 kW |

INSTRUCTIONS D'INSTALLATION

Préparation du four encastré

1. Choisir l'emplacement final pour l'installation du four. Éviter de percer ou d'endommager le câblage lors de l'installation.

⚠ AVERTISSEMENT

Risque du poids excessif

Utiliser deux ou plus de personnes pour déplacer et installer le four.

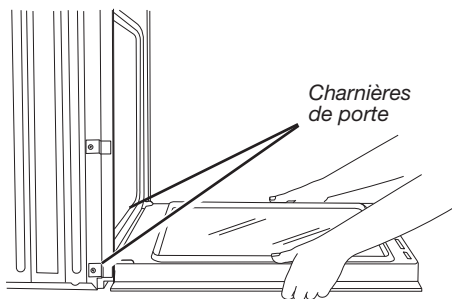
Le non-respect de cette instruction peut causer une blessure au dos ou d'autre blessure.

2. Pour éviter d'endommager le plancher, placer le four sur une feuille de carton avant l'installation. Lors des opérations de levage, ne pas prendre prise sur la poignée ou sur une autre partie du châssis avant.
3. Enlever les matériaux d'emballage et les rubans adhésifs du four. S'assurer de bien conserver les cornières de protection et autres matériaux pouvant être requis pour l'installation.
4. Enlever le sachet de matériel à l'intérieur du sachet de documentation.
5. Enlever et conserver à part les grilles et autres composants qu'on trouve à l'intérieur du four.
6. Approcher le four et la feuille de carton de l'emplacement final du four.

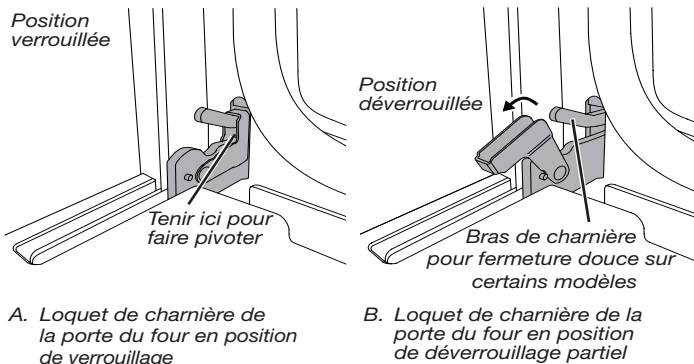
Dépose de la/des porte(s) du four

IMPORTANT : Retirer la porte du four avec les deux mains. Pour les fours doubles, répéter le procédé pour chaque porte.

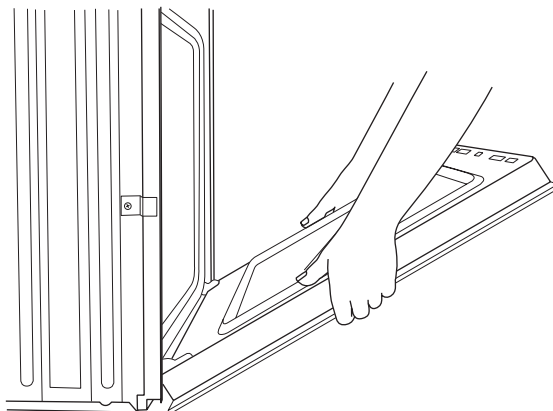
1. Avant de retirer la porte du four, préparer une surface sur laquelle on pourra la poser. Cette surface doit être plate et recouverte d'une couverture douce. On peut aussi utiliser les cornières de l'emballage.
2. Ouvrir complètement la porte du four.



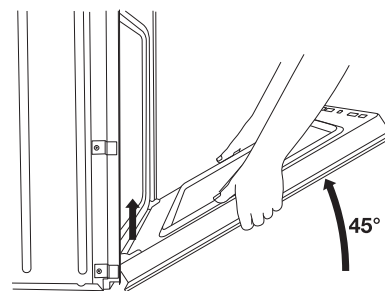
3. Identifier les loquets de charnière de la porte du four dans les 2 angles de la porte; faire pivoter les loquets de charnière vers la porte du four jusqu'à la position de déverrouillage. Si le loquet de charnière de porte n'est pas complètement tourné (voir illustration B), la porte ne se retirera pas correctement.



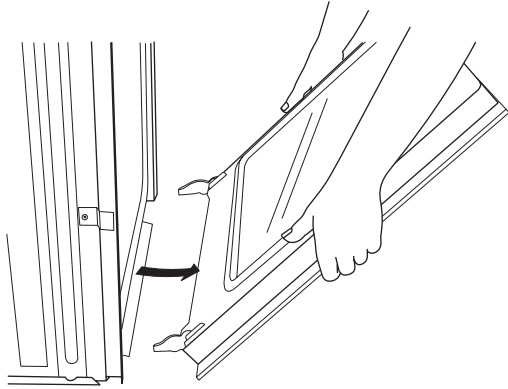
4. Commencer à fermer doucement la porte. La porte s'arrêtera en position partiellement fermée.



5. Saisir les bords de la porte du four avec les deux mains. Fermer la porte du four légèrement dépassé la position d'arrêt pour réduire la charge supportée par les loquets, puis tirer la porte de four vers le haut.



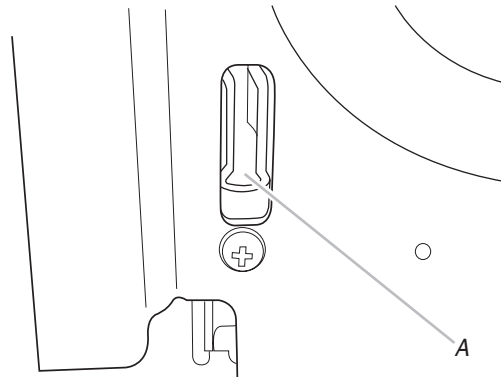
- Tirer la porte du four vers soi et enlever la porte. Si nécessaire, basculer doucement la port d'un côté et de l'autre en la tirant.



- Conserver la/les porte(s) du four à part sur la surface de travail couverte en faisant reposer la porte sur sa poignée.
- Pour continuer l'installation du four, aller à la section "Positionnement des pieds du four".

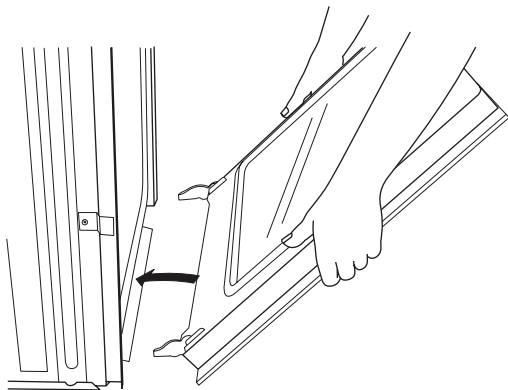
Réinstallation de la porte(s) du four

- Saisir les bords latéraux de la porte par le milieu avec les 2 mains. Se placer face à la cavité du four.
- Repérer les encoches situées de chaque côté de la cavité du four pour les loquets de charnière de la porte.

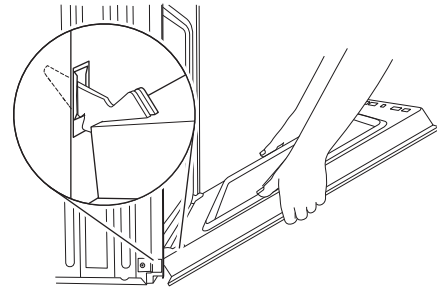


A. Encoche située dans la cavité du four pour le loquet de charnière de la porte

- Saisir les bords de la porte du four avec les deux mains. Avec un angle de 45°, insérer les charnières en même temps et pousser la porte du four dans les fentes de la cavité du four pour la réinstaller. Si nécessaire, basculer doucement la porte d'un côté et de l'autre en la poussant.

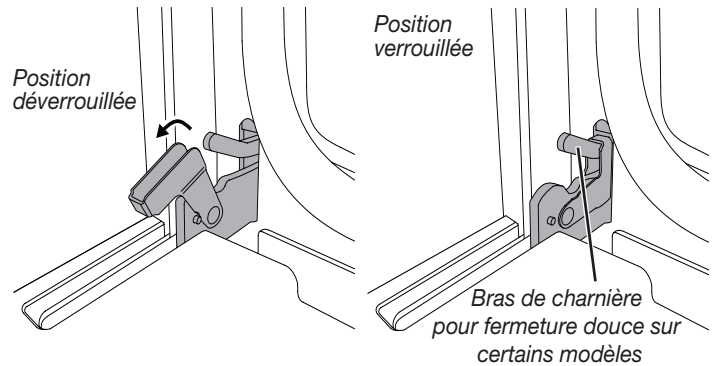


- S'assurer que les encoches de charnière de la porte sont engagées au fond des fentes de la cavité du four.



IMPORTANT : Ne pas fermer la porte à cette étape pour ne pas endommager les loquets de la porte.

- Abaisser la porte du four jusqu'à ce qu'elle soit complètement ouverte. Si la porte du four ne s'ouvre pas complètement à un angle de 90 degrés, répéter les étapes 1 à 3.
- Identifier les loquets de charnière de la porte du four dans les angles de la porte; faire pivoter les loquets de charnière vers la cavité du four jusqu'à la position de verrouillage.



- Après que les charnières de la porte ont été verrouillées, fermer doucement la porte. La fermeture de la porte ne doit pas être forcée.
- Une fois les charnières correctement installées et la porte fermée, il doit y avoir un espace égal entre la porte et le tableau de commande. Si l'un des côtés de la porte du four est plus bas que l'autre, la charnière de ce côté-ci n'est pas correctement installée.

Voir les sections "Dépose la porte(s) du four" et "Réinstallation de la porte(s) du four."

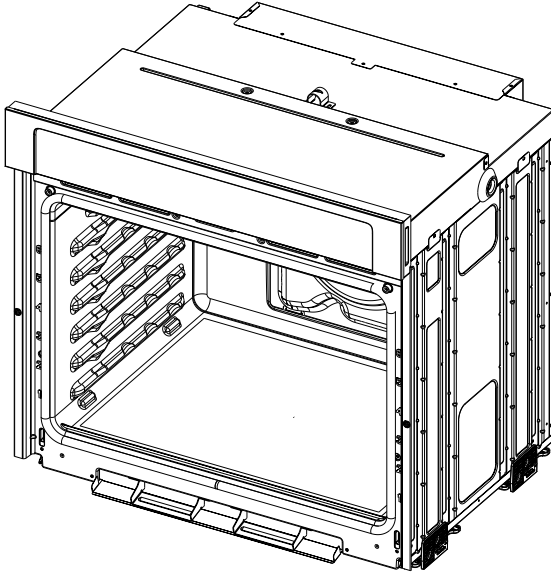
Positionnement des pieds du four pour des ouvertures d'encastrement de hauteur différente

Four simple

En modifiant le positionnement des pieds du four, on peut installer un four simple dans une cavité d'encastrement d'une hauteur comprise entre 26¹⁵/₁₆" et 29⁷/₁₆" (68,4 cm et 74,8 cm). Consulter les instructions suivantes pour adapter la position des pieds à la taille de la cavité d'encastrement.

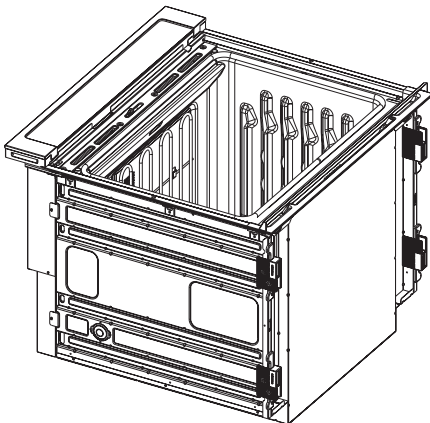
La hauteur d'encastrement est comprise entre 27⁵/₈" et 28⁵/₈" (70,2 cm et 72,7 cm)

Les pieds du four n'ont pas besoin d'être remplacés. Ils sont correctement positionnés à leur sortie d'usine. Passer à la section "Raccordement électrique".



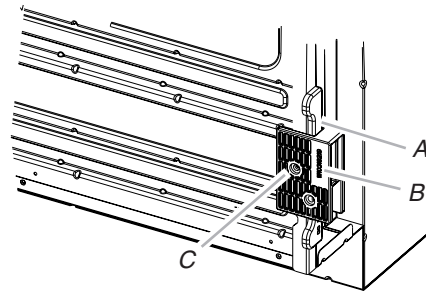
La hauteur de la cavité d'encastrement est comprise entre 26¹⁵/₁₆" et 27¹¹/₁₆" (68,4 cm et 70,3 cm)

1. À l'aide d'au moins deux personnes, placer le four sur sa partie arrière, sur une surface couverte.



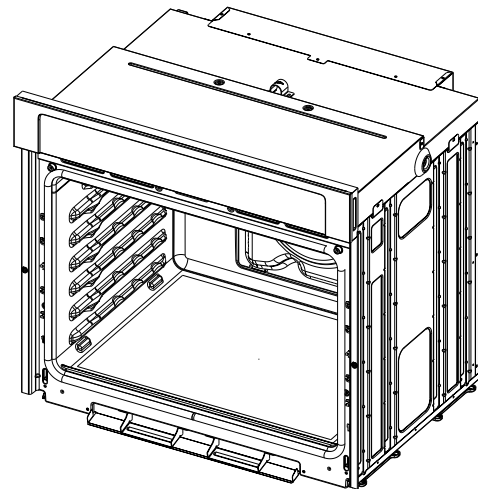
2. Retirer le pied de la cale d'espacement avant droite en ôtant la vis n° 8-18 x 3/8" (9,5 mm).

REMARQUE : Ne pas retirer la cale d'espacement.



- A. Cale d'espacement
- B. Pied
- C. Vis n° 8-18 x 3/8" (9,5 mm)

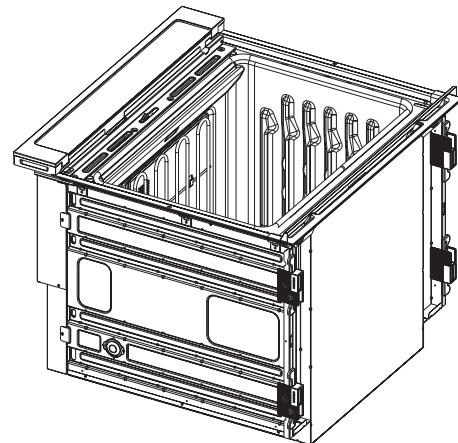
3. Enlever les pieds installés au niveau avant gauche, arrière droit et arrière gauche du four en suivant la même méthode.
4. À l'aide d'au moins deux personnes, placer le four en position verticale.



5. Passer à la section "Raccordement électrique".

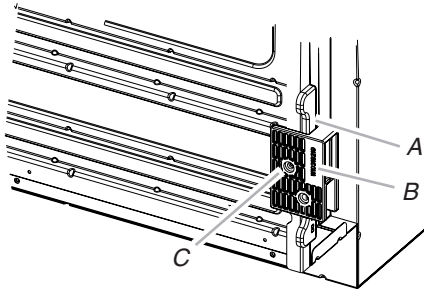
La hauteur de la cavité d'encastrement est comprise entre 28¹¹/₁₆" et 29⁷/₁₆" (72,8 cm et 74,8 cm)

1. À l'aide d'au moins deux personnes, placer le four sur sa partie arrière, sur une surface couverte.



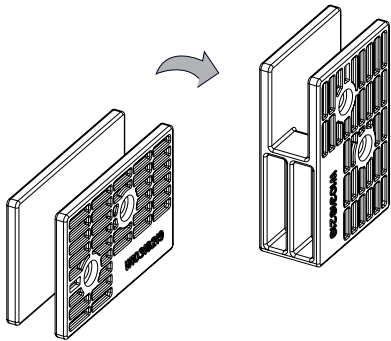
- Retirer le pied de la cale d'espacement avant droite en ôtant la vis n° 8-18 x 3/8" (9,5 mm).

REMARQUE : Ne pas retirer la cale d'espacement.

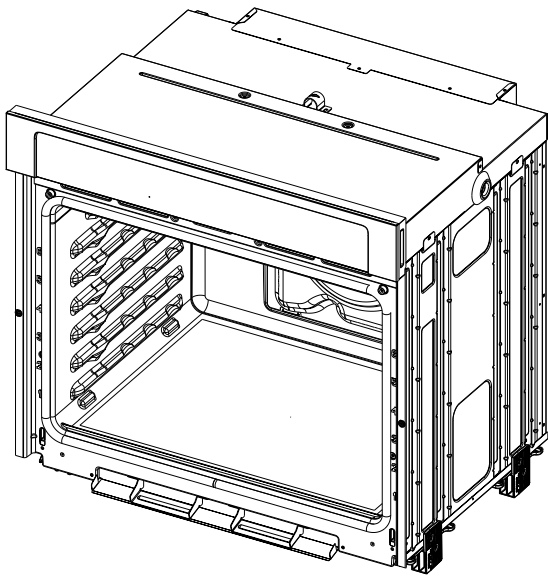


A. Cale d'espacement
B. Pied
C. Vis n° 8-18 x 3/8" (9,5 mm)

- Faire pivoter le pied à 90° de façon à ce que le côté court du pied soit orienté vers le sommet du four.



- Réinstaller le pied de la cale d'espacement à l'aide de la vis n° 8-18 x 3/8" (9,5 mm) précédemment retirée.
- Enlever, faire pivoter et réinstaller les pieds installés au niveau avant gauche, arrière droit et arrière gauche du four en suivant la même méthode.
- À l'aide d'au moins deux personnes, placer le four en position verticale.



- Passer à la section "Raccordement électrique".

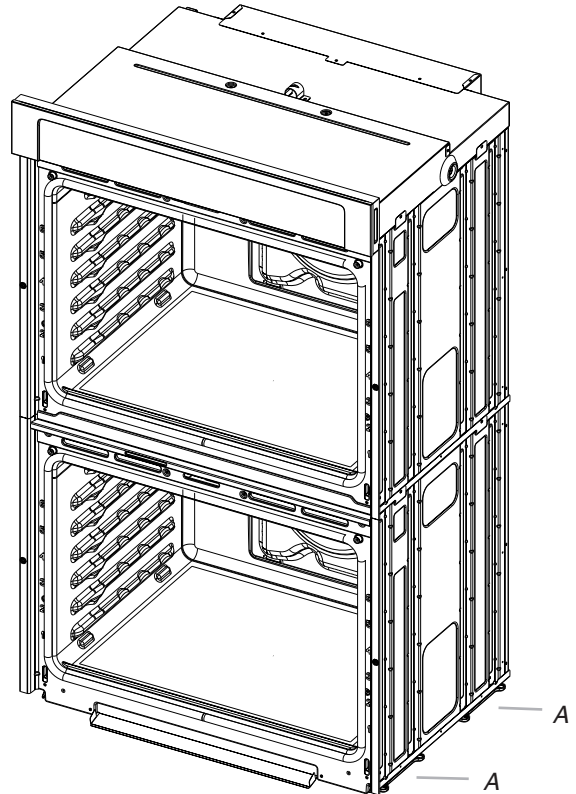
Fours doubles

En modifiant le positionnement des pieds du four, on peut installer un four double dans une cavité d'encastement d'une hauteur comprise entre 48⁷/₈" et 52³/₁₆" (124,1 cm et 132,6 cm). Consulter les instructions suivantes pour adapter la position des pieds à la taille de la cavité d'encastement.

La hauteur de la cavité d'encastement est comprise entre 48⁷/₈" et 50⁷/₁₆" (124,1 cm et 128,1 cm)

Il n'est pas nécessaire d'installer les pieds du four. Le four a été correctement configuré à sa sortie d'usine.

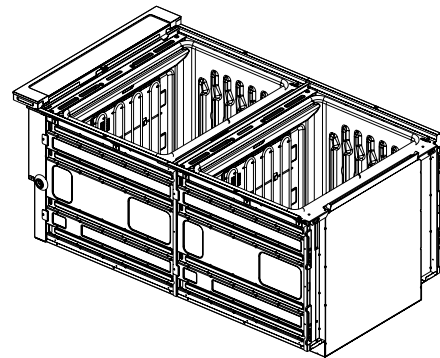
REMARQUE : Ne pas retirer les cales d'espacement. Passer à la section "Raccordement électrique".



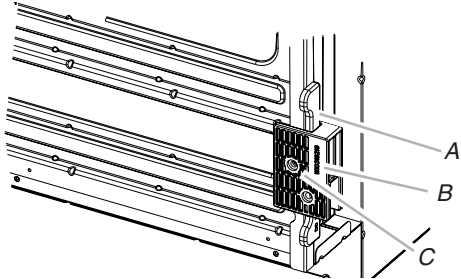
A. Cales d'espacement

La hauteur de la cavité d'encastement est comprise entre 50¹/₂" et 51¹/₈" (128,2 cm et 129,9 cm)

- À l'aide d'au moins deux personnes, placer le four sur sa partie arrière, sur une surface couverte.

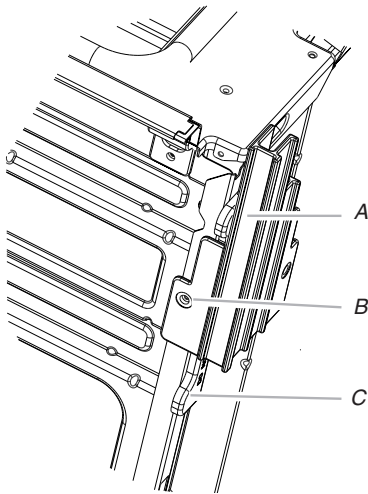


2. Installer un pied sur la cale d'espacement arrière gauche avec une vis n° 8-18 x 3/8" (9,5 mm).
REMARQUE : Positionner le pied de façon à ce que le côté long du pied soit orienté vers le sommet du four.



A. Cale d'espacement
 B. Pied
 C. Vis n° 8-18 x 3/8" (9,5 mm)

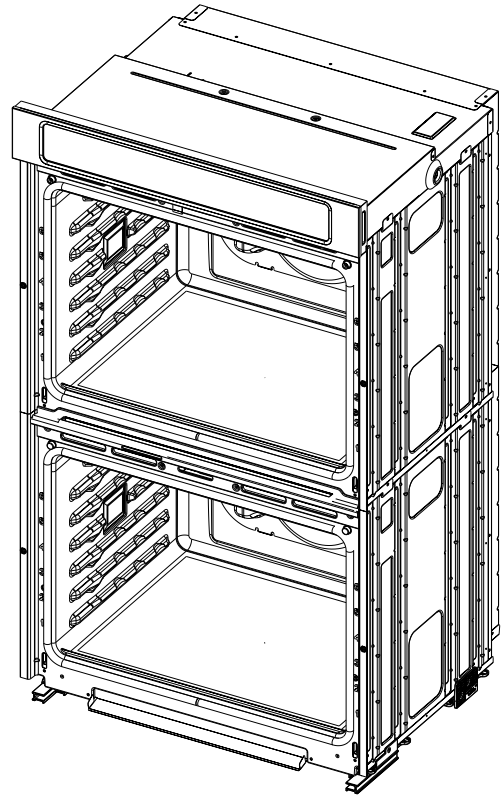
3. De la même manière, installer un pied sur la partie arrière droite du four.
 4. Installer un pied avant sur la cale d'espacement avant gauche avec une vis n° 8-18 x 3/8" (9,5 mm).
REMARQUE : Positionner le pied de façon à ce que le côté long du pied soit orienté vers le four.



A. Pied avant
 B. Vis n° 8-18 x 3/8" (9,5 mm)
 C. Cale d'espacement

5. De la même manière installer un pied avant sur la partie avant droite du four.

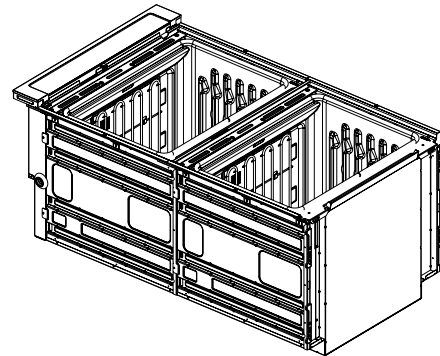
6. À l'aide d'au moins deux personnes, placer le four en position verticale.



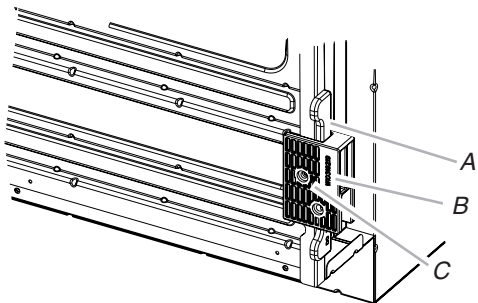
7. Passer à la section "Raccordement électrique".

La hauteur de la cavité d'encastrement est comprise entre 51³/₁₆" et 52³/₁₆" (130 cm et 132,6 cm)

1. À l'aide d'au moins deux personnes, placer le four sur sa partie arrière, sur une surface couverte.



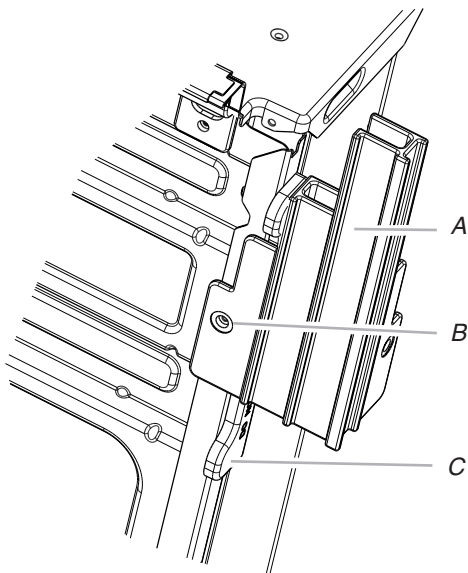
2. Installer un pied sur la cale d'espacement arrière gauche avec une vis n° 8-18 x 3/8" (9,5 mm).
REMARQUE : Positionner le pied de façon à ce que le côté court du pied soit orienté vers le sommet du four.



A. Cale d'espacement
 B. Pied
 C. Vis n° 8-18 x 3/8" (9,5 mm)

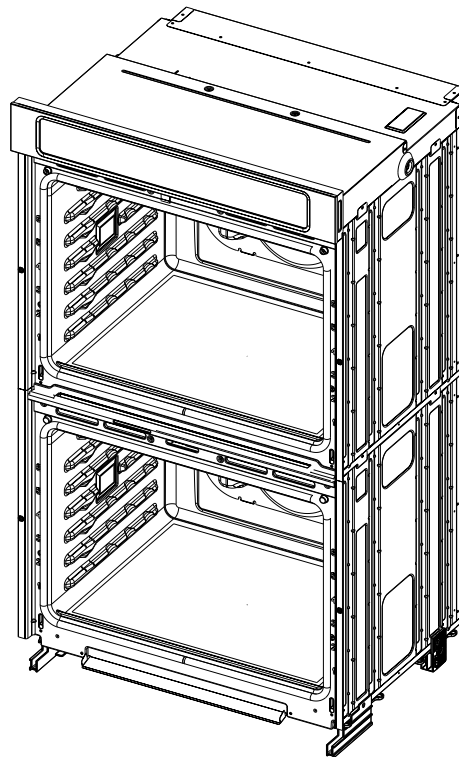
3. De la même manière, installer un pied sur la partie arrière droite du four.
4. Installer un pied avant sur la partie avant gauche avec une vis n° 8-18 x 3/8" (9,5 mm).

REMARQUE : Positionner le pied de façon à ce que le côté long du pied soit orienté vers le sommet du four, tel qu'illustré.



A. Pied avant
 B. Vis n° 8-18 x 3/8" (9,5 mm)
 C. Cale d'espacement

5. De la même manière installer un pied avant sur l'avant droit du four.
6. À l'aide d'au moins deux personnes, placer le four en position verticale.



7. Passer à la section "Raccordement électrique".

Raccordement électrique

Fours doubles

⚠ AVERTISSEMENT



Risque de choc électrique

Déconnecter la source de courant électrique avant l'entretien.

Utiliser du fil en cuivre de calibre 8.

Relier le four à la terre.

Le non-respect de ces instructions peut causer un décès, un incendie ou un choc électrique.

Fours simples

⚠ AVERTISSEMENT



Risque de choc électrique

Déconnecter la source de courant électrique avant d'entreprendre le travail.

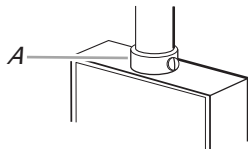
Utiliser du fil en cuivre de calibre 12.

Relier le four à la terre.

Le non-respect de ces instructions peut causer un décès, un incendie ou un choc électrique.

Le câblage d'alimentation de ce four comporte un conducteur neutre (blanc) et un conducteur vert (ou nu) de liaison à la terre connecté à la caisse; ces deux conducteurs sont torsadés.

1. Déconnecter la source de courant électrique.
2. Faire passer le conduit de câble flexible depuis le four à travers l'ouverture dans le placard.
3. Le cas échéant, enlever le couvercle du boîtier de connexion.
4. Installer un connecteur de conduit (homologation UL ou CSA) sur le boîtier de connexion.



A. Connecteur de conduit (homologation UL ou CSA)

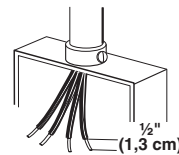
5. Acheminer le conduit de câble flexible depuis le four jusqu'au boîtier de connexion - utiliser un connecteur de conduit (homologation UL ou CSA).
6. Serrer les vis sur le connecteur de conduit.
7. Voir "Tableau des options de raccordement électrique" pour terminer l'installation correspondant à votre type de raccordement électrique.

Tableau des options de raccordement électrique

Câblage de la maison :

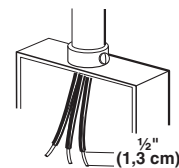
Voir la section :

4 conducteurs



Câble à 4 conducteurs depuis le point de distribution du domicile

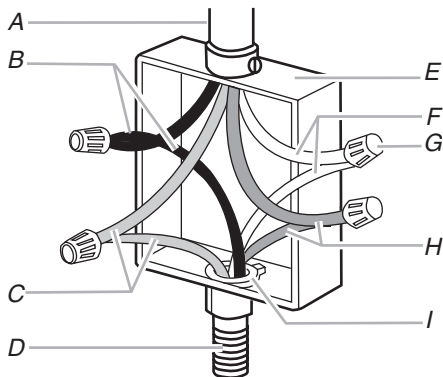
3 conducteurs



Câble à 3 conducteurs depuis le point de distribution du domicile

Câble à 4 conducteurs depuis le point de distribution du domicile

IMPORTANT : Utiliser le câble à 4 conducteurs provenant du point de distribution du domicile aux États-Unis lorsque les codes locaux ne permettent pas la mise à la terre par l'intermédiaire du conducteur neutre, en cas de nouvelle installation avec alimentation par un circuit secondaire (1996 NEC), dans les résidences mobiles et les véhicules récréatifs, dans les nouvelles constructions, et au Canada.

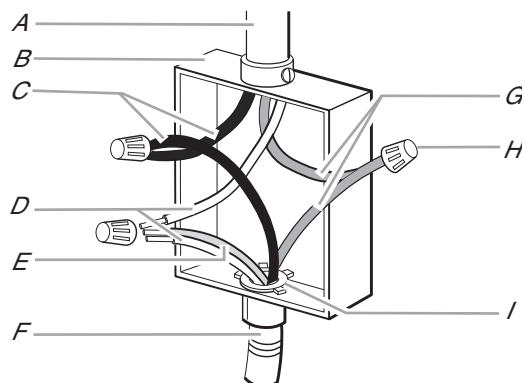


- | | |
|--|---|
| A. Câble depuis le point de distribution du domicile | F. Conducteurs blancs |
| B. Conducteurs noirs | G. Connecteurs de fils (homologation UL) |
| C. Conducteurs rouges | H. Conducteurs verts (ou nus) de liaison à la terre |
| D. Câble flexible à 4 conducteurs depuis le four | I. Connecteur de conduit (homologation UL ou CSA) |
| E. Boîtier de connexion | |

1. Connecter ensemble les deux conducteurs noirs (B) avec un connecteur de fils (homologation UL).
2. Connecter ensemble les deux conducteurs rouges (C) avec un connecteur de fils (homologation UL).
3. Détorsader le conducteur blanc du conducteur vert (ou nu) de liaison à la terre provenant du four.
4. Connecter ensemble les deux conducteurs blancs (F) avec un connecteur de fils (homologation UL).
5. Connecter le conducteur vert (ou nu) de liaison à la terre (H) du câble du four au conducteur vert (ou nu) de liaison à la terre dans le boîtier de connexion - utiliser un connecteur de fils (homologation UL).
6. Installer le couvercle du boîtier de connexion.

Câble à 3 conducteurs depuis le point de distribution du domicile : É.-U. seulement

IMPORTANT : Utiliser le câble à 3 conducteurs depuis le point de distribution du domicile lorsque les codes locaux autorisent un tel raccordement.



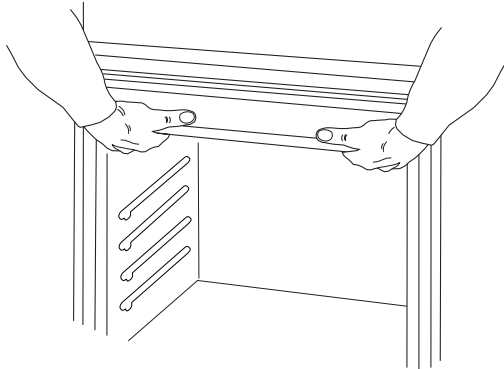
- | | |
|---|---|
| A. Câble depuis le point de distribution du domicile | F. Câble flexible à 4 conducteurs depuis le four |
| B. Boîtier de connexion | G. Conducteurs rouges |
| C. Conducteurs noirs | H. Connecteurs de fils (homologation UL) |
| D. Conducteurs blancs | I. Connecteur de conduit (homologation UL ou CSA) |
| E. Conducteur vert (ou nu) de liaison à la terre (depuis le four) | |

1. Connecter ensemble les deux conducteurs noirs (C) avec un connecteur de fils (homologation UL).
2. Connecter les deux conducteurs blancs (D) et le conducteur vert (ou nu) de liaison à la terre (du câble du four) avec un connecteur de fils (homologation UL).
3. Connecter ensemble les deux conducteurs rouges (G) avec un connecteur de fils (homologation UL).
4. Installer le couvercle du boîtier de connexion.

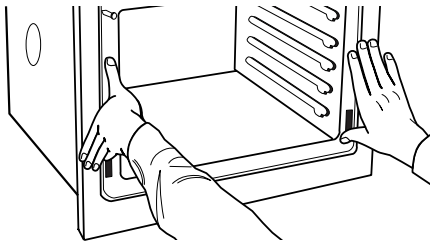
Installation du four

1. À l'aide d'au moins deux personnes, soulever et introduire partiellement le four dans l'ouverture d'encastrement du placard. Utiliser l'ouverture du four comme zone de prise.

REMARQUE : Pour introduire le four dans le placard, pousser contre la zone du joint du four située sur le châssis avant. Ne pas pousser contre les bords externes.

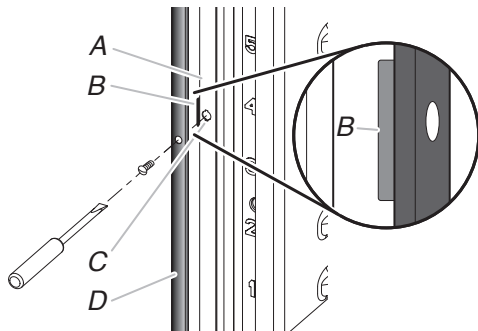


2. Pousser contre la zone du joint du châssis avant pour introduire le four dans le placard, jusqu'à ce que la surface arrière du châssis avant soit au contact de la paroi avant du placard.



3. Pousser complètement le four dans le placard et le centrer dans la cavité d'encastrement du placard.
4. Retirer le ruban de la garniture noire avant, ainsi que les attaches de plastiques de l'espaceur d'installation.

- Fixer solidement le four au placard à l'aide des vis n° 8-14 x 1" (2,5 cm) fournies.
- Insérer les vis dans les trous de la garniture noire en les alignant avec les trous du châssis du four et de l'espaceur d'installation déjà en place. Ne pas serrer excessivement les vis.



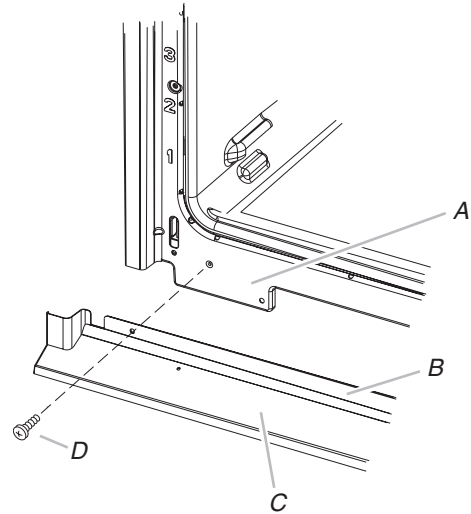
A. Châssis du four
B. Mounting spacer

C. Trou du châssis du four
D. Garniture noire

5. L'évent inférieur et la garniture de l'évent inférieur (nécessaires lorsque le four est installé avec les pieds en position haute) sont livrés dans l'emballage en mousse situé sur le dessus du four.

Pour installer l'évent inférieur uniquement, voir les instructions suivantes. Pour installer l'évent inférieur et la garniture de l'évent inférieur (pour les installations dont les pieds sont en position haute), voir les instructions de l'étape 6.

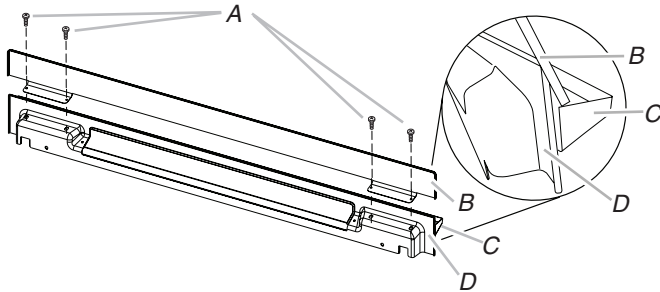
- Aligner le support de l'évent (B) avec le châssis du four (A) comme illustré.
- Avec une vis n° 8-18 x 3/8" (9,5 mm) (D) pour chaque côté du support de l'évent (B), fixer solidement l'évent au four.



A. Châssis du four
B. Support de l'évent

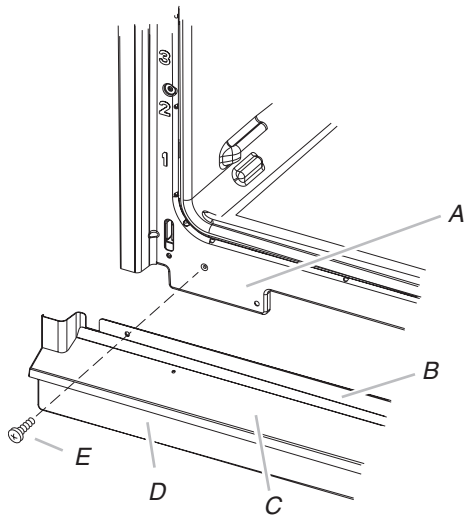
C. Évent du four
D. Vis n° 8-18 x 3/8" (9,5 mm)

6. Pour les modèles dont les pieds sont installés en position haute, la garniture de l'évent inférieur doit également être installée. Pour l'installation, procéder selon les instructions suivantes.
- Faire fléchir la pièce d'évent supérieure (C) en l'éloignant de la pièce d'évent inférieure (D) pour faire glisser la garniture de l'évent inférieur (B) entre elles. Une certaine force sera peut-être nécessaire pour faire fléchir la garniture d'évent supérieure (C) en l'éloignant de la garniture d'évent inférieure (D). Une certaine force sera peut-être également nécessaire pour faire fléchir la garniture d'évent inférieure (B) et la glisser en place. S'assurer que les trous de vis sont correctement alignés entre les deux pièces. Voir l'illustration suivante.
 - Installer la garniture de l'évent inférieur (B) sur la pièce d'évent inférieure (D) à l'aide de deux vis n° 8-18 x 1/4" (6,4 mm) de chaque côté.



A. Vis n° 8-18 x 1/4" (6,4 mm) C. Pièce d'évent supérieure
B. Garniture de l'évent inférieur D. Pièce d'évent inférieure

- Aligner la languette de conduit d'évacuation (B) avec le châssis du four (A) comme illustré.
- Avec une vis n° 8-18 x 3/8" (9,5 mm) (E) pour chaque côté du support de l'évent (B), fixer solidement l'évent au four.



A. Châssis du four D. Garniture de l'évent inférieur
B. Support de l'évent E. Vis n° 8-18 x 3/8" (9,5 mm)
C. Évent du four

7. Réinstaller les grilles du four.
8. Réinstaller la porte du four. Voir la section "Réinstallation de la/des porte(s) du four".
9. Vérifier que la porte s'ouvre et se ferme facilement. Si tel n'est pas le cas, répéter le processus de dépose et d'installation de la porte. Voir la section "Préparation du four encastré".

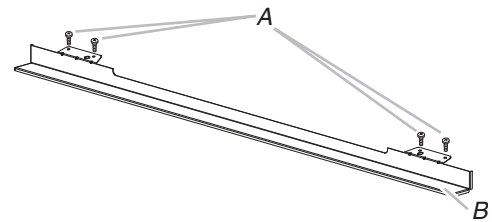
10. Répéter cette procédure pour la porte du four inférieur.
11. Reconnecter la source de courant électrique.
12. Le tableau d'affichage s'allume brièvement et "PF" devrait apparaître sur l'affichage.
13. Si le tableau d'affichage ne s'allume pas, consulter la section "Garantie" dans le guide d'utilisation et d'entretien.

Installation de l'ensemble de déflecteur du tiroir-réchaud

(uniquement pour les fours installés au-dessus d'un tiroir-réchaud)

Sur les fours simple ou double installés au-dessus d'un tiroir-réchaud, la pose d'un déflecteur de tiroir-réchaud est nécessaire. Voir la section "Outillage et pièces" pour des renseignements sur le processus de commande.

Pièces fournies dans l'ensemble de déflecteur

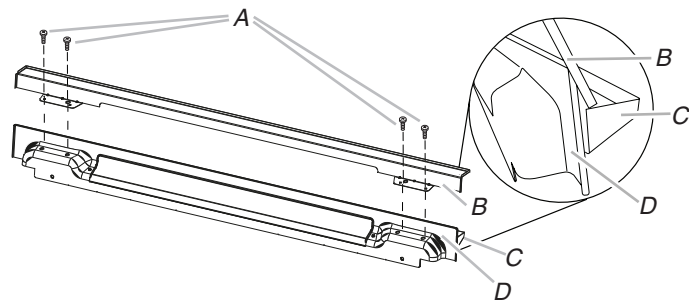


A. Vis à tête Phillips (4)
2 vis seulement pour la taille 27" (68,6 cm)
B. Déflecteur du tiroir-réchaud (1)

Installation de l'ensemble de déflecteur

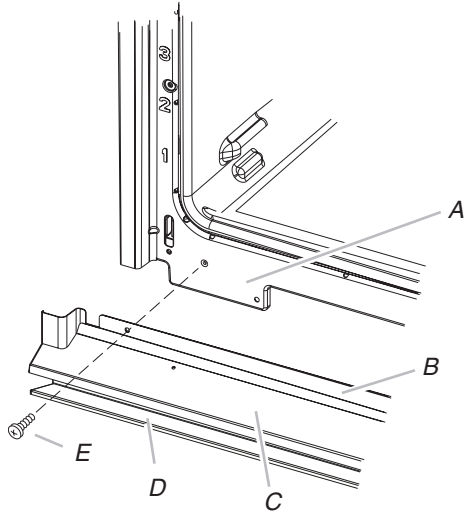
1. Faire fléchir la pièce d'évent supérieure (C) en l'éloignant de la pièce d'évent inférieure (D) pour faire glisser le déflecteur pour tiroir-réchaud (B) entre elles. Une certaine force sera peut-être nécessaire pour faire fléchir la garniture d'évent supérieure (C) en l'éloignant de la garniture d'évent inférieure (D). Une certaine force sera peut-être également nécessaire pour faire fléchir le déflecteur pour tiroir-réchaud (B) et le glisser en place. S'assurer que les trous de vis sont correctement alignés entre les deux pièces. Voir l'illustration suivante.
2. Installer le déflecteur pour tiroir-réchaud (B) sur la pièce d'évent inférieure (D) à l'aide de deux vis n° 8-18 x 1/4" (6,4 mm) de chaque côté.

REMARQUE : Sur les modèles de 27" (68,6 cm), utiliser une seule vis n° 8-18 x 1/4" (6,4 mm) de chaque côté.



A. Vis n° 8-18 x 1/4" (6,4 mm) C. Pièce d'évent supérieure
B. Déflecteur du tiroir-réchaud D. Pièce d'évent inférieure

3. Aligner le support de l'évent (B) avec le châssis du four (A) comme illustré.
4. Avec une vis n° 8-18 x 3/8" (9,5 mm) (E) pour chaque côté du support de l'évent (B), fixer solidement l'évent au four.



A. Châssis du four
 B. Support de l'évent
 C. Évent du four
 D. Déflecteur du tiroir-réchaud
 E. Vis n° 8-18 x 3/8" (9,5 mm)

Achever l'installation

1. Vérifier que toutes les pièces sont maintenant installées. S'il reste une pièce, passer en revue les différentes étapes pour découvrir laquelle aurait été oubliée.
2. Vérifier la présence de tous les outils.
3. Jeter/recycler tous les matériaux d'emballage.
4. Pour l'utilisation et le nettoyage du four, lire le Guide d'utilisation et d'entretien.

Vérification du fonctionnement pour un four simple et un four double

1. À la première utilisation, régler la langue, l'horloge, et toute autre préférence réglable. Consulter le Guide d'utilisation et d'entretien pour plus de renseignements.
2. Pour les fours simples, appuyer sur OVEN (four).
REMARQUE : Pour les fours doubles, appuyer sur UPPER (supérieur) ou LOWER (inférieur).
3. Sélectionner Cooking Methods (méthodes de cuisson).
4. Sélectionner la fonction Broil (cuisson au grill)
5. Régler la température.
6. Sélectionner Start (mise en marche).

Si le(s) four(s) ne fonctionne(nt) pas, contrôler ce qui suit :

- Les fusibles du domicile sont intacts et serrés, ou le disjoncteur n'est pas déclenché.
 - La prise de courant est correctement alimentée.
 - Voir la section "Dépannage" dans le Guide d'utilisation et d'entretien.
7. Après que le four a fonctionné pendant 5 minutes, vérifier qu'il y a émission de chaleur.
 Si aucune chaleur n'est ressentie ou si un message d'erreur apparaît sur l'affichage, éteindre le four et contacter un technicien qualifié.
 8. Pour les fours doubles, appuyer sur UPPER ou LOWER (supérieur ou inférieur) pour annuler. Pour les fours simples, appuyer sur OVEN (four) pour annuler.

Si vous avez besoin d'assistance ou de service :

Consulter la section "Garantie" du Guide d'utilisation et d'entretien.

SEGURIDAD DEL HORNO INTEGRADO

Su seguridad y la seguridad de los demás es muy importante.

Hemos incluido muchos mensajes importantes de seguridad en este manual y en su electrodoméstico. Lea y obedezca siempre todos los mensajes de seguridad.



Este es el símbolo de alerta de seguridad.

Este símbolo le llama la atención sobre peligros potenciales que pueden ocasionar la muerte o una lesión a usted y a los demás.

Todos los mensajes de seguridad irán a continuación del símbolo de advertencia de seguridad y de la palabra "PELIGRO" o "ADVERTENCIA". Estas palabras significan:

⚠ PELIGRO

Si no sigue las instrucciones de inmediato, usted puede morir o sufrir una lesión grave.

⚠ ADVERTENCIA

Si no sigue las instrucciones, usted puede morir o sufrir una lesión grave.

Todos los mensajes de seguridad le dirán el peligro potencial, le dirán cómo reducir las posibilidades de sufrir una lesión y lo que puede suceder si no se siguen las instrucciones.

REQUISITOS DE INSTALACIÓN

Herramientas y piezas

Reúna las herramientas y las piezas necesarias antes de comenzar la instalación. Lea y siga las instrucciones provistas con cualquiera de las herramientas enumeradas aquí.

Herramientas necesarias

- Destornillador Phillips
- Cinta métrica
- Taladro manual o eléctrico (para instalaciones en armarios de pared)
- Broca de 1" (2,5 cm) (para instalaciones en armarios de pared)
- Nivel
- Destornillador de hoja plana

Piezas necesarias

- Conector de conducto homologado por UL o aprobado por CSA
- Conectores para cable homologados por UL
- Kit de deflector para cajón de calentamiento (para hornos instalados encima de un cajón de calentamiento)

| Color | Tamaño | Tipo | Kit de deflector para cajón de calentamiento |
|-------------------|--------|--------------|--|
| Blanco | 27" | Simple/Doble | W10510613 |
| Blanco | 30" | Simple/Doble | W10510614 |
| Negro | 27" | Simple/Doble | W10531009 |
| Negro | 30" | Simple/Doble | W10531010 |
| Acero inox. | 27" | Simple/Doble | W10536338 |
| Acero inox. | 30" | Simple/Doble | W10536339 |
| Acero inox. negro | 27" | Simple/Doble | W10888988 |
| Acero inox. negro | 30" | Simple/Doble | W10727416 |
| Bronce | 30" | Simple/Doble | W11123007 |

Para hacer un pedido, consulte la sección "Ayuda o servicio técnico" del Manual de uso y cuidado.

- Kit de instalación al ras (para simple y doble instalados en instalación al ras)

| Color | Tamaño | Tipo | Kit de instalación al ras |
|-------------------|--------|--------------|---------------------------|
| Blanco | 27" | Simple/Doble | W11173681 |
| Blanco | 30" | Simple/Doble | W11173683 |
| Negro | 27" | Simple/Doble | W11173685 |
| Negro | 30" | Simple/Doble | W11173691 |
| Acero inox. | 27" | Simple/Doble | W11173693 |
| Acero inox. | 30" | Simple/Doble | W11123003 |
| Acero inox. negro | 27" | Simple/Doble | W11173700 |
| Acero inox. negro | 30" | Simple/Doble | W11173703 |
| Bronce | 30" | Simple/Doble | W11123005 |

Para hacer un pedido, consulte la sección "Ayuda o servicio técnico" del Manual de uso y cuidado.

Piezas suministradas

- Tornillos n.º 8-14 x 3/4" (19 mm): hornos simples (2), hornos dobles (4)
- Tornillos n.º 8-18 x 3/8" (9,5 mm): ducto de ventilación inferior (2)
- Tornillos n.º 8-18 x 1/4" (6,4 mm): borde de ducto de ventilación inferior (4)
- Tornillos n.º 8-18 x 3/8" (9,5 mm): patas de horno doble (4)
- Ducto de ventilación inferior
- Borde de ducto de ventilación inferior
- Patas traseras, horno doble (2)
- Patas delanteras, horno doble (2)

Verifique los códigos locales. Compruebe el suministro eléctrico existente. Vea la sección "Requisitos eléctricos".

Es necesario que todas las conexiones eléctricas sean hechas por un instalador eléctrico competente autorizado.

Requisitos de ubicación

IMPORTANTE: Respete todos los códigos y las ordenanzas vigentes.

- Deben usarse las dimensiones de la abertura del armario que se muestran. Las dimensiones dadas proveen un espacio mínimo, incluyendo el horno.
- La zona de las instalaciones empotradas debe dejar completamente encerrada la parte empotrada del horno.
- Se requiere un suministro eléctrico conectado a tierra. Vea la sección "Requisitos eléctricos".
- Cuando el horno se instale en un armario de pared, la caja de empalmes del suministro eléctrico debe estar ubicada 3" (7,6 cm) por encima de la abertura del recorte o a un máximo de 3" (7,6 cm) por debajo de la superficie de apoyo. Deberá taladrarse un orificio de 1" (2,5 cm) de diámetro como mínimo en la esquina posterior derecha o izquierda de la superficie de soporte, para poder pasar el cable a través de la caja de empalmes.

NOTA: Para la instalación debajo del mostrador, se recomienda que la caja de empalmes se ubique en el armario adyacente de la derecha o izquierda. Si se instala la caja de empalmes sobre la pared trasera detrás del horno, se recomienda que la caja quede empotrada y en el centro de la parte superior del armario.

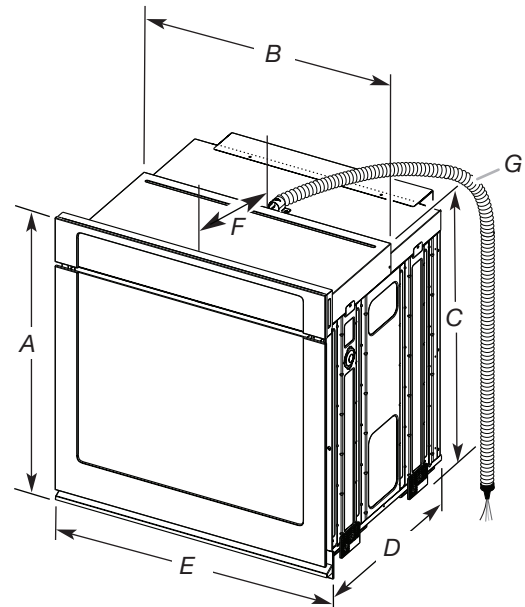
- La superficie de soporte del horno debe ser sólida estar al ras con el recorte de la parte inferior del armario.
- El piso debe poder soportar el peso de un horno simple de 129 lb (59 kg) para los modelos de 27" (68,6 cm) o de 154 lb (70 kg) para los modelos de 30" (76,2 cm).
- El piso debe poder soportar el peso de un horno doble de 251 lb (114 kg) para los modelos de 27" (68,6 cm) o de 228 lb (131 kg) para los modelos de 30" (76,2 cm).

IMPORTANTE: Para evitar daños a los armarios, verifique con el constructor o el distribuidor de los armarios para asegurarse de que los materiales empleados no cambien de color, no desprendan el laminado ni sufran ningún otro tipo de daño. Este horno se ha diseñado de acuerdo con los requisitos de UL y CSA International y cumple con las temperaturas máximas permitidas para armarios de madera de 194°F (90°C).

Instalación debajo del mostrador (con la superficie de cocción instalada encima):

Consulte las dimensiones del recorte para los hornos instalados debajo de la superficie de cocción (hora separada). Vea el sitio web del producto para obtener una lista de modelos de superficies de cocción aprobadas para el uso sobre algunos modelos de hornos de pared.

Dimensiones del producto – hornos simples



Modelos de 27" (68,6 cm)

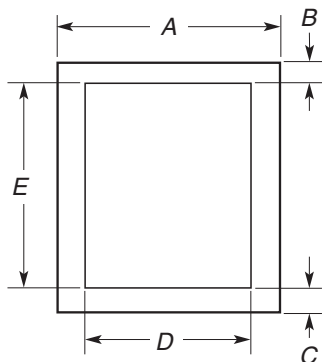
- A. Altura máxima general: 28³/₄" (72,8 cm)
- B. Ancho máximo empotrado: 25⁷/₁₆" (64,6 cm)
- C. Altura empotrado: 26³/₄" (67,9 cm)
- D. Profundidad máxima empotrado: 23¹/₄" (59,1 cm)
- E. Ancho general: 27" (68,6 cm)
- F. 12" (30,5 cm) de la parte trasera del panel de control al inicio del protector de cables
- G. Longitud del conducto flexible: 48" (121,9 cm)

Modelos de 30" (76,2 cm)

- A. Altura máxima general: 28³/₄" (72,8 cm)
- B. Ancho máximo empotrado: 28¹/₂" (72,4 cm)
- C. Altura empotrado: 26³/₄" (67,9 cm)
- D. Profundidad máxima empotrado: 23¹/₄" (59,1 cm)
- E. Ancho general: 30" (76,2 cm)
- F. 12" (30,5 cm) de la parte trasera del panel de control al inicio del protector de cables
- G. Longitud del conducto flexible: 48" (121,9 cm)

Dimensiones del armario — hornos simples

Horno simple debajo del mostrador (sin la superficie de cocción instalada arriba)



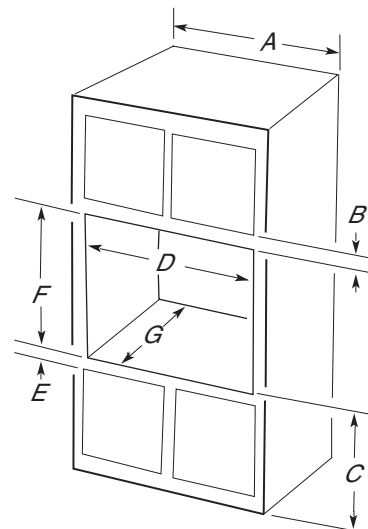
Modelos de 27" (68,6 cm)

- A. Ancho mínimo de armario: 27" (68,6 cm)
- B. 1 1/2" (3,8 cm) mín. de la parte superior del corte a la cara inferior del mostrador
- C. 5 1/4" (13,3 cm) de la parte inferior del corte al piso
- D. Ancho del corte: 25 1/2" (64,8 cm)
- E. Altura mín. del corte: 28" (71,2 cm)

Modelos de 30" (76,2 cm)

- A. Ancho mínimo de armario: 30" (76,2 cm)
- B. 1 1/2" (3,8 cm) mín. de la parte superior del corte a la cara inferior del mostrador
- C. 5 1/4" (13,3 cm) de la parte inferior del corte al piso
- D. Ancho del corte: 28 1/2" (72,4 cm)
- E. Altura mín. del corte: 28" (71,2 cm)

Hornos simples instalados en armario



Modelos de 27" (68,6 cm)

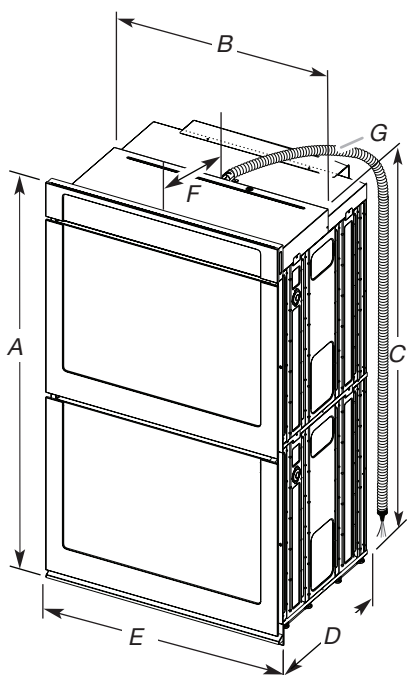
- A. Ancho mínimo de armario: 27" (68,6 cm)
- B. 1" (2,5 cm) de la parte superior del corte a la parte inferior de la puerta superior del armario
- C. 32" (81,3 cm) de la parte inferior del corte al piso
- D. Ancho del corte: 25 1/2" (64,8 cm)
- E. 1 1/2" (3,8 cm) mín. de la parte inferior del corte a la parte superior de la puerta del armario
- F. Altura del corte recomendada: 28" (71,2 cm)*
- G. Profundidad del corte: 24" (60,7 cm)

Modelos de 30" (76,2 cm)

- A. Ancho mínimo de armario: 30" (76,2 cm)
- B. 1" (2,5 cm) de la parte superior del corte a la parte inferior de la puerta superior del armario
- C. 32" (81,3 cm) de la parte inferior del corte al piso
- D. Ancho del corte: 28 1/2" (72,4 cm)
- E. 1 1/2" (3,8 cm) mín. de la parte inferior del corte a la parte superior de la puerta del armario
- F. Altura del corte recomendada: 28" (71,2 cm)*
- G. Profundidad del corte: 24" (60,7 cm)

*NOTA: La altura del recorte puede ser de 26¹⁵/₁₆" a 29⁷/₁₆" (de 68,4 cm a 74,8 cm) para los hornos simples.

Dimensiones del producto — hornos dobles



Modelos de 27" (68,6 cm)

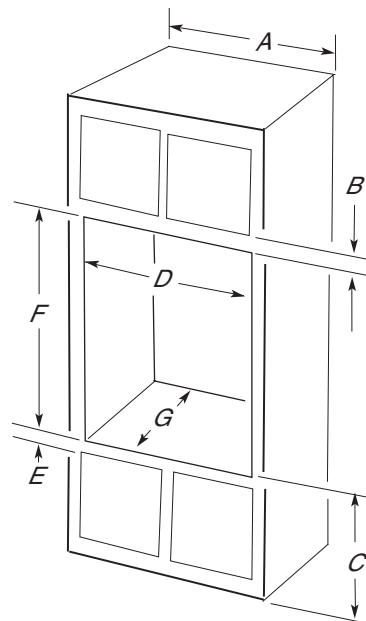
- A. Altura máxima general: $51\frac{3}{16}$ " (130,0 cm)
- B. Ancho máximo empotrado: $25\frac{7}{16}$ " (64,6 cm)
- C. Altura empotrada: $48\frac{13}{16}$ " (124,0 cm)
- D. Profundidad máxima empotrada: $23\frac{1}{4}$ " (59,1 cm)
- E. Ancho general: 27" (68,6 cm)
- F. 12" (30,5 cm) de la parte trasera del panel de control al inicio del protector de cables
- G. Longitud del conducto flexible: 66" (167,6 cm)

Modelos de 30" (76,2 cm)

- A. Altura máxima general: $51\frac{3}{16}$ " (130,0 cm)
- B. Ancho máximo empotrado: $28\frac{1}{2}$ " (72,4 cm)
- C. Altura empotrada: $48\frac{13}{16}$ " (124,0 cm)
- D. Profundidad máxima empotrada: $23\frac{1}{4}$ " (59,1 cm)
- E. Ancho general: 30" (76,2 cm)
- F. 12" (30,5 cm) de la parte trasera del panel de control al inicio del protector de cables
- G. Longitud del conducto flexible: 66" (167,6 cm)

Dimensiones del armario — Hornos dobles

Hornos dobles instalados en armario



Modelos de 27" (68,6 cm)

- A. Ancho mínimo de armario: 27" (68,6 cm)
- B. 1" (2,5 cm) de la parte superior del corte a la parte superior de la puerta superior del armario
- C. Se recomiendan $14\frac{3}{4}$ " (37,5 cm) de la parte inferior del corte al piso. De 4" a $14\frac{3}{4}$ " (de 10,2 cm a 37,5 cm) de la parte inferior del corte al piso son aceptables.
- D. Ancho del corte: $25\frac{1}{2}$ " (64,8 cm)
- E. $1\frac{1}{2}$ " (3,8 cm) mín. de la parte inferior del corte a la parte superior de la puerta del armario
- F. Altura de corte recomendada: $50\frac{1}{4}$ " (127,6 cm)*
- G. Profundidad del corte: 24" (60,7 cm)

Modelos de 30" (76,2 cm)

- A. Ancho mínimo de armario: 30" (76,2 cm)
- B. 1" (2,5 cm) de la parte superior del corte a la parte superior de la puerta superior del armario
- C. Se recomiendan $14\frac{3}{4}$ " (37,5 cm) de la parte inferior del corte al piso. De 4" a $14\frac{3}{4}$ " (de 10,2 cm a 37,5 cm) de la parte inferior del corte al piso son aceptables.
- D. Ancho del corte: $28\frac{1}{2}$ " (72,4 cm)
- E. $1\frac{1}{2}$ " (3,8 cm) mín. de la parte inferior del corte a la parte superior de la puerta del armario
- F. Altura de corte recomendada: $50\frac{1}{4}$ " (127,6 cm)*
- G. Profundidad del corte: 24" (60,7 cm)

*NOTA: La altura del recorte puede ser de $48\frac{7}{8}$ " a $52\frac{3}{16}$ " (de 124,1 cm a 132,6 cm) para los hornos dobles.

Requisitos eléctricos

Si los códigos lo permiten y se emplea un cable de conexión a tierra separado, se recomienda que un instalador eléctrico competente determine si la ruta de conexión a tierra y el calibre del cable están de acuerdo con los códigos locales.

Si no está seguro de que la conexión a tierra del horno sea adecuada, verifíquela con un instalador eléctrico competente.

Este horno debe conectarse a un sistema de cableado metálico permanente con conexión a tierra.

Asegúrese de que la conexión eléctrica y el tamaño del cable sean adecuados y cumplan con el Código Eléctrico Nacional, ANSI/NFPA 70, edición más reciente, o las normas C22 de CSA. 1-94, Código Eléctrico Canadiense, parte 1 y C22.2 n.º O-M91, edición más reciente, y con todos los códigos y las ordenanzas locales.

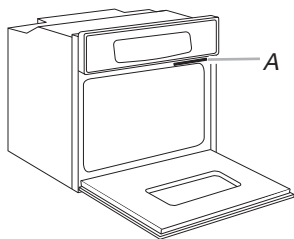
Se puede obtener una copia de las normas de los códigos antes indicados en:

National Fire Protection Association
1 Batterymarch Park
Quincy, MA 02169-7471
CSA International
8501 East Pleasant Valley Road
Cleveland, OH 44131-5575

Conexión eléctrica

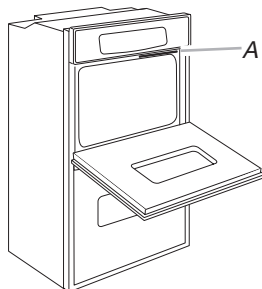
Para instalar correctamente el horno, se debe determinar el tipo de conexión eléctrica que va a usar y seguir las instrucciones que aquí se proveen para el caso.

- El horno se debe conectar con la tensión y la frecuencia eléctricas correctas según se especifica en la placa de modelo/serie/valores nominales. La placa de modelo/serie/valores nominales está debajo del panel de control en los hornos simples y debajo del panel de control sobre la cavidad del horno superior en los hornos dobles. Vea las ilustraciones a continuación.



Horno simple

A. Placa de modelo/serie/valores nominales



Horno doble

A. Placa de modelo/serie/valores nominales

- Los modelos clasificados entre 7,3 y 9,6 kW a 240 voltios (entre 6,3 y 8,3 kW a 208 voltios) requieren un circuito de 40 amperios separado. Los modelos clasificados entre 4,9 y 7,2 kW a 240 voltios (entre 4,3 y 6,2 kW a 208 voltios) requieren un circuito de 30 amperios separado. Los modelos clasificados a 4,8 kW o menos a 240 voltios (a 4,2 kW o menos a 208 voltios) requieren un circuito de 20 amperios separado.
- Se recomienda usar un disyuntor.
- Conecte directamente a la caja del disyuntor (o un desconectador con fusible) a través de un cable de cobre flexible blindado o con forro no metálico (con cable a tierra). Vea la sección "Haga la conexión del suministro eléctrico".
- El conducto flexible del horno debe conectarse directamente a la caja de empalmes.
- Use fusibles a ambos lados de la línea.
- No corte el conducto. La longitud del conducto provisto es para permitir hacer trabajos de servicio en el horno.
- Debe proveerse un conector de conducto homologado por UL o aprobado por CSA.
- Si la casa tiene cableado de aluminio, siga el procedimiento a continuación:

Conecte el cableado de aluminio con conectores especiales y/o herramientas diseñadas y homologadas por UL para unir el cobre al aluminio.

Siga el procedimiento recomendado por el fabricante del conector eléctrico. La conexión de cobre/aluminio deberá hacerse en conformidad con los códigos locales y las prácticas de cableado aceptadas por la industria.

| Serie | Tensión | Frecuencia | Clasificación |
|---------------------------------|-------------|------------|---------------|
| WOD97EC/ WODA7EC/ WOD77EC | 120/240 VCA | 60 Hz | 8 kW |
| | 120/208 VCA | 60 Hz | 6 kW |
| WOS97EC/ WOSA2EC/ WOS72EC | 120/240 VCA | 60 Hz | 4 kW |
| | 120/208 VCA | 60 Hz | 3 kW |
| WOD51EC | 120/240 VCA | 60 Hz | 7.6 kW |
| | 120/208 VCA | 60 Hz | 5.7 kW |
| WOS51EC | 120/240 VCA | 60 Hz | 3.9 kW |
| | 120/208 VCA | 60 Hz | 2.9 kW |

INSTRUCCIONES DE INSTALACIÓN

Prepare el horno integrado

1. Decida cuál será la ubicación final del horno. Evite perforar o cortar el cableado de la casa durante la instalación.

⚠ ADVERTENCIA

Peligro de Peso Excesivo

Use dos o más personas para mover e instalar el horno.

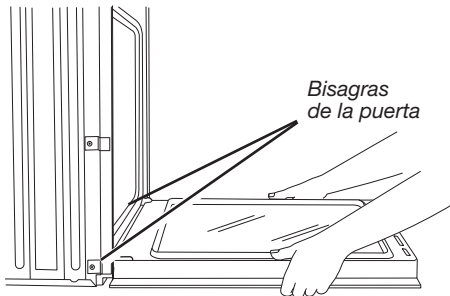
No seguir esta instrucción puede ocasionar una lesión en la espalda u otro tipo de lesiones.

2. Para evitar daños al piso, coloque el horno sobre un cartón antes de la instalación. No levante el horno sujetándolo de la manija o de cualquier parte del marco frontal.
3. Quite los materiales de envío y la cinta adhesiva del horno. Recuerde conservar los esquineros y otros materiales que pueden ser necesarios para la instalación.
4. Retire el paquete con piezas de ferretería que está dentro de la bolsa que contiene el material impreso.
5. Retire y reserve las parrillas y otras piezas del interior del horno.
6. Traslade el horno y la caja cerca de la ubicación final del horno.

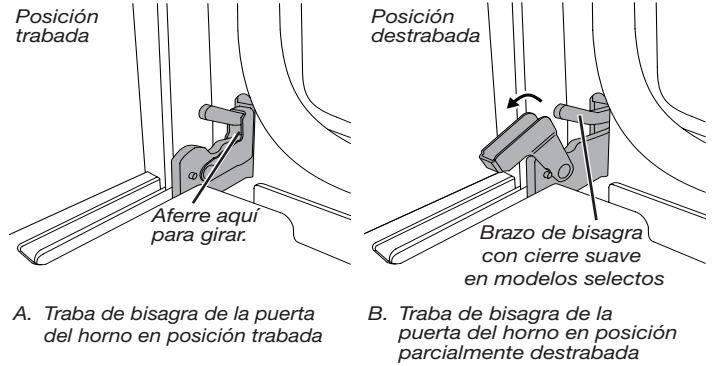
Retire la puerta del horno

IMPORTANTE: Use las dos manos para retirar la puerta del horno. Para los hornos dobles, repita el proceso con cada puerta.

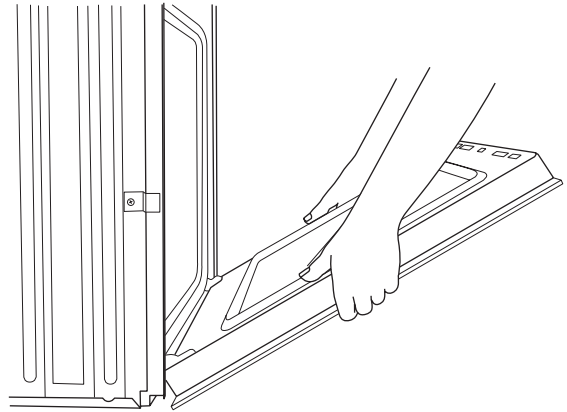
1. Antes de retirar la puerta del horno, prepare una superficie donde la colocará. Esa superficie debe ser plana y estar cubierta con una manta blanda; también se puede usar los esquineros del material de embalaje.
2. Abra por completo la puerta del horno.



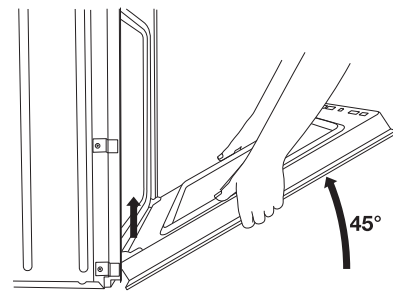
3. Ubique las trabas de las bisagras de la puerta del horno en ambas esquinas de la puerta y gire las trabas hacia la puerta del horno a la posición destrabada. Si la traba de las bisagras no se gira por completo (vea la ilustración B), la puerta no se retirará correctamente.



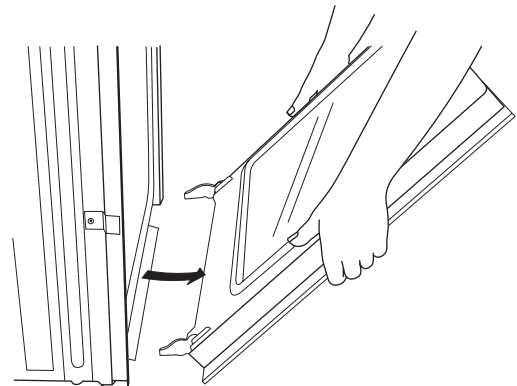
4. Comience a cerrar la puerta con suavidad. La puerta se detendrá en una posición parcialmente cerrada.



5. Tome la puerta del horno por los bordes con las dos manos. Cierre un poco la puerta del horno más allá de la posición del tope para retirar el peso de las bisagras de la puerta; después, tire de la puerta del horno hacia arriba.



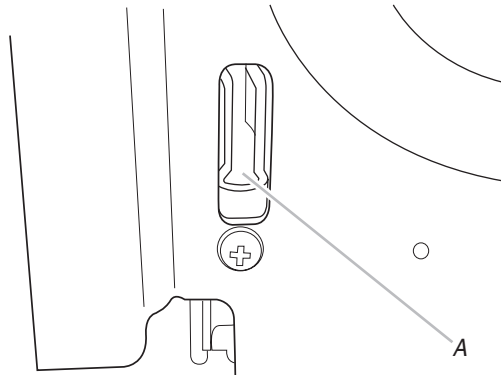
6. Tire de la puerta del horno hacia usted para retirarla. Puede ser necesario mover suavemente la puerta de un lado a otro mientras tira de ella.



7. Aparte la puerta del horno sobre la superficie de trabajo cubierta que preparó y apóyela sobre la manija.
8. Para seguir con la instalación del horno, vaya a la sección "Ubicación de las patas del horno para múltiples alturas de corte del armario".

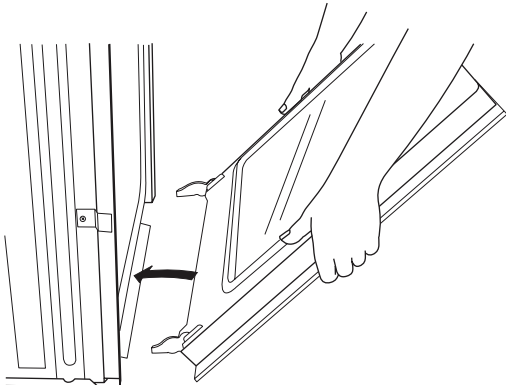
Vuelva a colocar la puerta del horno

1. Tome la puerta del horno por el punto central de los bordes laterales con las dos manos. Enfrente la cavidad del horno.
2. Ubique las ranuras a cada lado del marco frontal del horno para las trabas de las bisagras de la puerta.

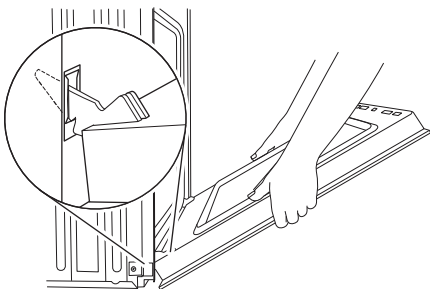


A. Ranura en la cavidad del horno para la traba de bisagra de la puerta

3. Tome la puerta del horno por los bordes con las dos manos. Inserte las bisagras simultáneamente en un ángulo de 45° y empuje la puerta del horno dentro de la ranura de la cavidad para volver a colocarla. Puede ser necesario mover suavemente la puerta de un lado a otro mientras la empuja.

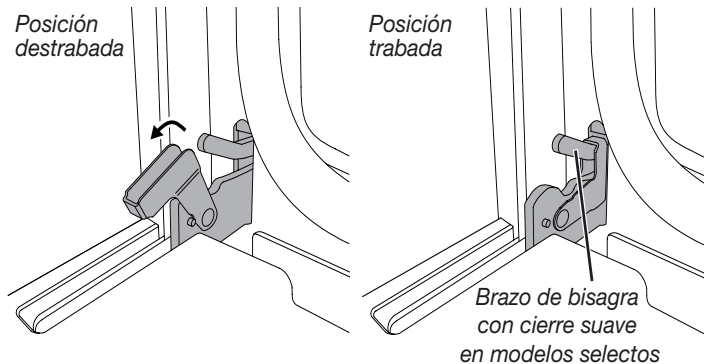


4. Asegúrese de que la muesca de la bisagra de la puerta se enganche en la parte inferior de la ranura de la cavidad del horno.



IMPORTANTE: No cierre la puerta en este paso para evitar dañar la bisagra de la puerta.

5. Descienda la puerta del horno hasta la posición completamente abierta. Si la puerta del horno no se abre totalmente a 90°, repita los pasos 1 a 3.
6. Ubique las trabas de las bisagras de la puerta del horno en las esquinas de la puerta y gire las trabas hacia la cavidad del horno hasta la posición trabada.



7. Una vez que las bisagras de la puerta estén trabadas, gire con suavidad la puerta hacia arriba para cerrarla. La puerta no se debe forzar para cerrarla.
8. Cuando las bisagras están correctamente instaladas y la puerta está cerrada, debe haber un espacio uniforme entre la puerta y el panel de control. Si uno de los lados de la puerta del horno está más bajo que el otro, la bisagra de ese lado no está correctamente instalada. Vea las secciones "Retire la puerta del horno" y "Vuelva a colocar la puerta del horno".

Ubicación de las patas del horno para múltiples alturas de corte del armario

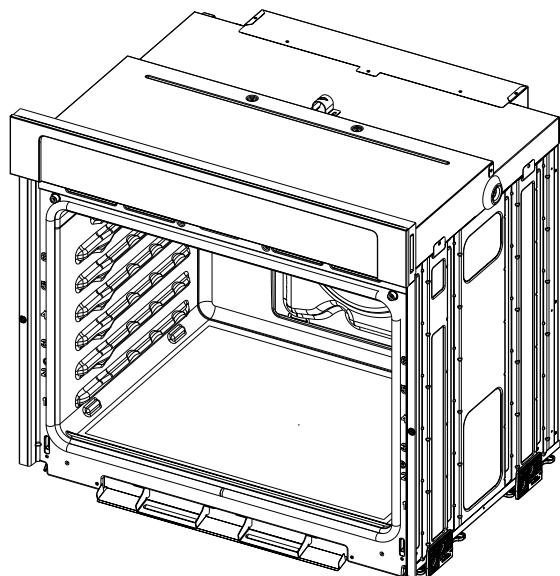
Hornos simples

La ubicación de las patas del horno permite instalar un horno simple en una altura de corte entre 26¹⁵/₁₆" y 29⁷/₁₆" (entre 68,4 cm y 74,8 cm). Consulte las instrucciones que siguen para ubicar las patas para el tamaño del corte de su armario.

La altura del recorte es de 27⁵/₈" a 28⁵/₈" (de 70,2 cm a 72,7 cm)

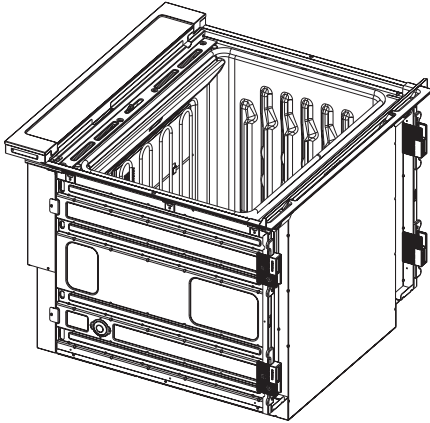
No es necesario cambiar las patas del horno. La posición en que se reciben es correcta.

Vaya a la sección "Haga la conexión del suministro eléctrico".



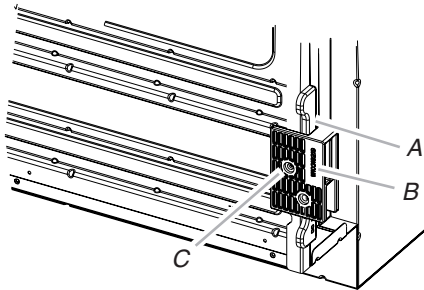
La altura del recorte es de 26¹⁵/₁₆" a 27¹¹/₁₆"
(de 68,4 cm a 70,3 cm)

1. Con ayuda de dos o más personas, coloque el horno sobre la parte trasera sobre una superficie cubierta.

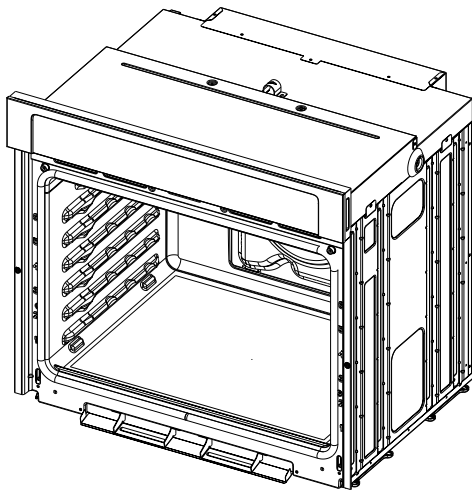


2. Para retirar la pata del separador delantero derecho, retire el tornillo n.º 8-18 x 3/8" (9,5 mm).

NOTA: No retire el separador.



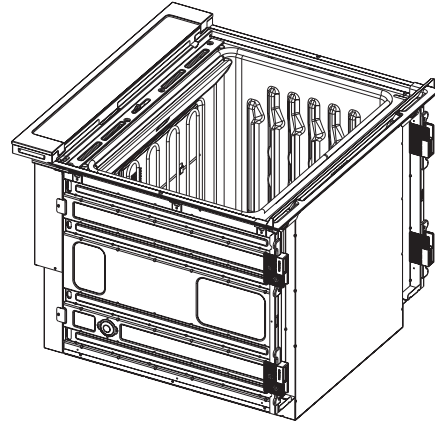
3. Retire de la misma manera las patas de la parte trasera derecha, de la parte izquierda y trasera izquierda del horno.
4. Con la ayuda de dos o más personas, coloque el horno en su posición vertical.



5. Vaya a la sección "Haga la conexión del suministro eléctrico".

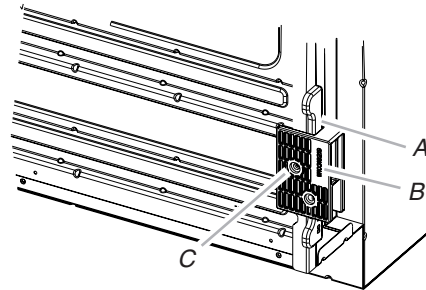
La altura del recorte es de 28¹¹/₁₆" a 29⁷/₁₆"
(de 72,8 cm a 74,8 cm)

1. Con ayuda de dos o más personas, coloque el horno sobre la parte trasera sobre una superficie cubierta.

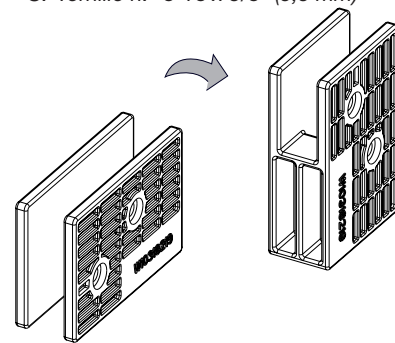


2. Para retirar la pata del separador delantero derecho, retire el tornillo n.º 8-18 x 3/8" (9,5 mm).

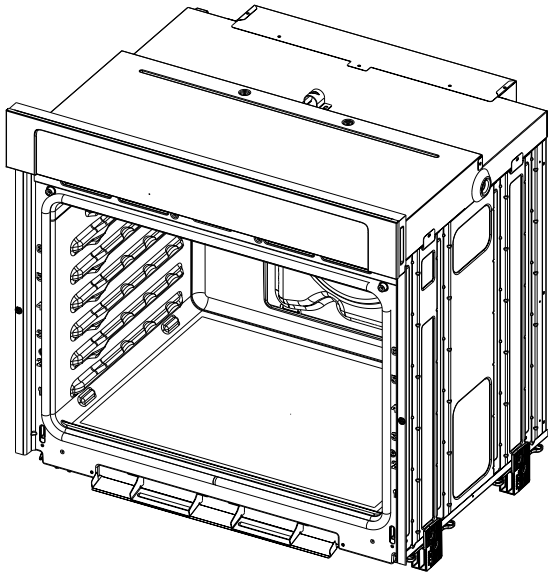
NOTA: No retire el separador.



3. Gire la pata 90° de modo que el lado corto de la pata se ubique hacia la parte superior del horno.



4. Vuelva a instalar la pata en el separador con el tornillo n.º 8-18 x 3/8" (9,5 mm) que retiró antes.
5. Retire, gire y vuelva a instalar de la misma manera las patas de la parte trasera derecha, delantera izquierda y trasera izquierda del horno.
6. Con la ayuda de dos o más personas, coloque el horno en su posición vertical.



7. Vaya a la sección "Haga la conexión del suministro eléctrico".

Hornos dobles

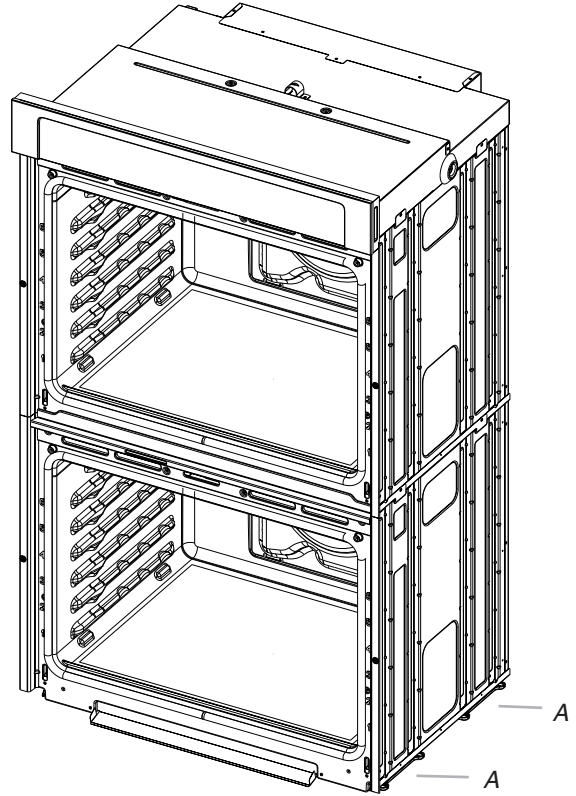
La ubicación de las patas del horno permite instalar un horno doble en una altura de corte entre 48⁷/₈" y 52³/₁₆" (entre 124,1 cm y 132,6 cm). Consulte las instrucciones que siguen para ubicar las patas para el tamaño del corte de su armario.

La altura del recorte es de 48⁷/₈" a 50⁷/₁₆" (de 124,1 cm a 128,1 cm)

No es necesario instalar las patas del horno. El horno está correctamente configurado como se recibe.

NOTA: No retire los separadores.

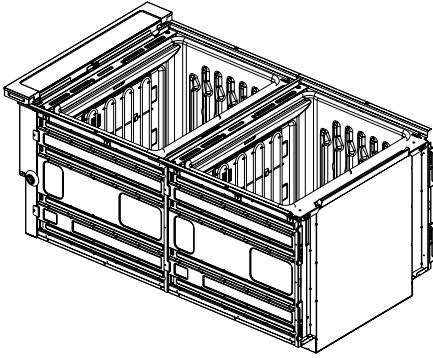
Vaya a la sección "Haga la conexión del suministro eléctrico".



A. Separadores

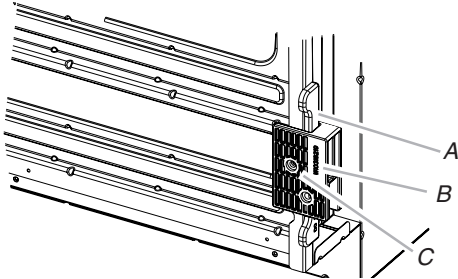
**La altura del recorte es de 50¹/₂" a 51¹/₈"
(de 128,2 cm a 129,9 cm)**

1. Con ayuda de dos o más personas, coloque el horno sobre la parte trasera sobre una superficie cubierta.



2. Instale una pata en el separador trasero izquierdo con un tornillo n.º 8-18 x 3/8" (9,5 mm).

NOTA: Ubique la pata de modo que el lado largo de la pata esté orientado hacia la parte superior del horno.

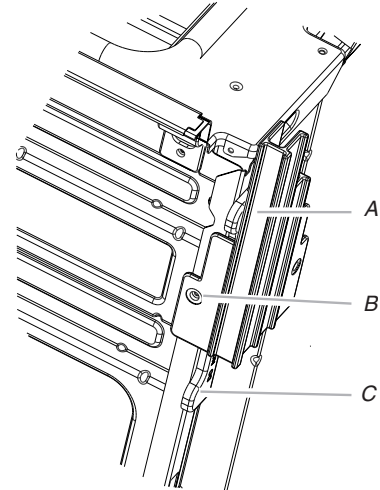


A. Separador
B. Pata
C. Tornillo n.º 8-18 x 3/8" (9,5 mm)

3. Instale de la misma manera una pata en la parte trasera derecha del horno.

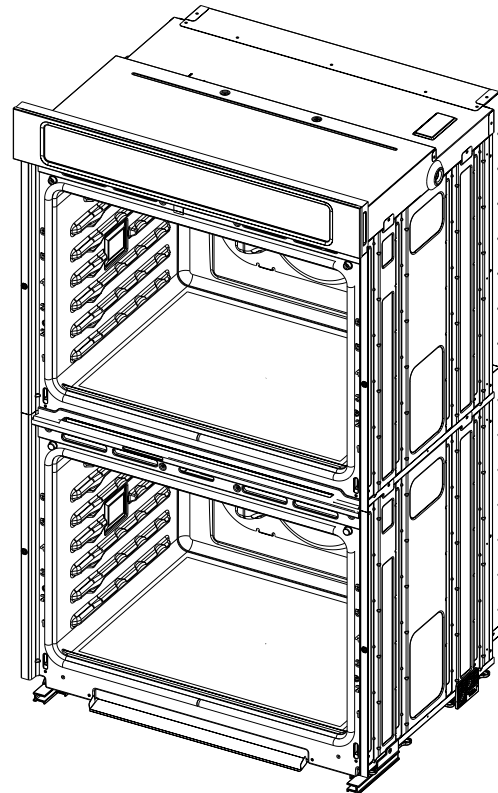
4. Instale una pata delantera en el separador delantero izquierdo con un tornillo n.º 8-18 x 3/8" (9,5 mm).

NOTA: Ubique la pata de modo que el lado largo de la pata esté orientado hacia el interior del horno.



A. Pata delantera
B. Tornillo n.º 8-18 x 3/8" (9,5 mm)
C. Separador

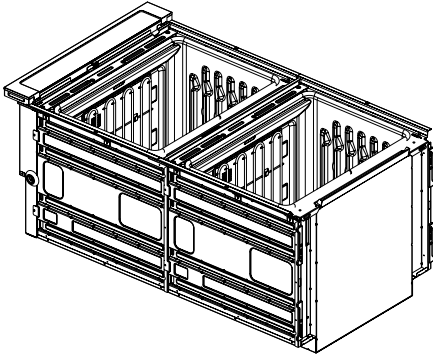
5. Instale de la misma manera una pata delantera en la parte delantera derecha del horno.
6. Con la ayuda de dos o más personas, coloque el horno en su posición vertical.



7. Vaya a la sección "Haga la conexión del suministro eléctrico".

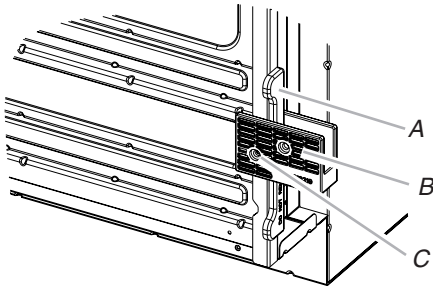
La altura del recorte es de $51\frac{3}{16}$ " a $52\frac{3}{16}$ "
(de 130 cm a 132,6 cm)

1. Con ayuda de dos o más personas, coloque el horno sobre la parte trasera sobre una superficie cubierta.



2. Instale una pata en el separador trasero izquierdo con un tornillo n.º 8-18 x 3/8" (9,5 mm).

NOTA: Ubique la pata de modo que el lado corto de la pata esté orientado hacia la parte superior del horno.

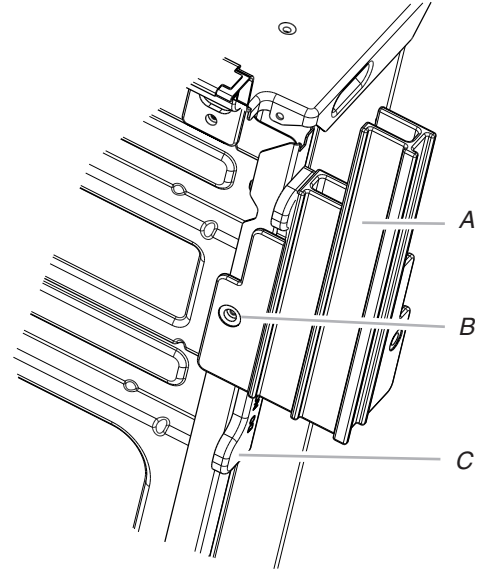


A. Separador
B. Pata
C. Tornillo n.º 8-18 x 3/8" (9,5 mm)

3. Instale de la misma manera una pata en la parte trasera derecha del horno.

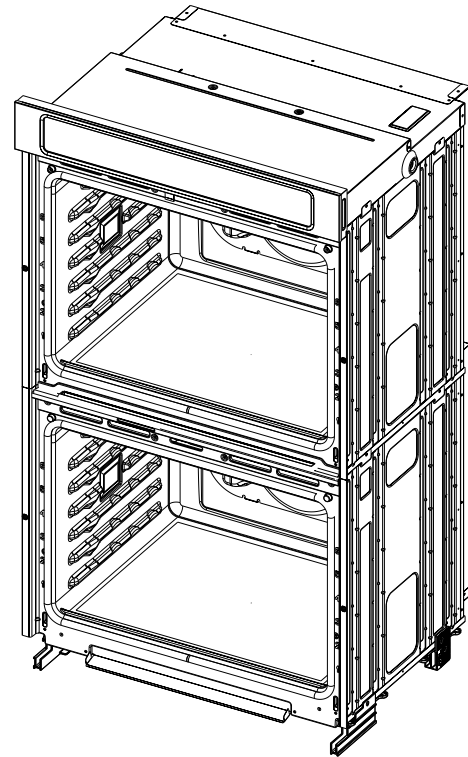
4. Instale una pata delantera en el separador delantero izquierdo con un tornillo n.º 8-18 x 3/8" (9,5 mm).

NOTA: Ubique la pata de modo que el lado largo de la pata esté orientado hacia la parte superior del horno.



A. Pata delantera
B. Tornillo n.º 8-18 x 3/8" (9,5 mm)
C. Separador

5. Instale de la misma manera una pata delantera en la parte delantera derecha del horno.
6. Con la ayuda de dos o más personas, coloque el horno en su posición vertical.



7. Vaya a la sección "Haga la conexión del suministro eléctrico".

Haga la conexión del suministro eléctrico

Para hornos dobles

⚠ ADVERTENCIA



Peligro de Choque Eléctrico

Desconecte el suministro de energía antes de darle servicio.

Use alambre de cobre de calibre 8.

Conectar a tierra del horno.

No seguir estas instrucciones puede ocasionar la muerte, incendio o choque eléctrico.

Para hornos simples

⚠ ADVERTENCIA



Peligro de Choque Eléctrico

Desconecte el suministro de energía antes de darle servicio.

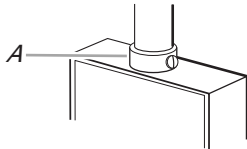
Utilice alambre de cobre de calibre 12.

Conectar a tierra del horno.

No seguir estas instrucciones puede ocasionar la muerte, incendio o choque eléctrico.

Este horno está fabricado con un cable de suministro eléctrico neutro (blanco) y un cable de conexión a tierra conectado al armario verde (o desnudo) retorcidos juntos.

1. Desconecte el suministro eléctrico.
2. Pase el conducto flexible del horno a través de la abertura del armario.
3. Retire la cubierta de la caja de empalmes, si está presente.
4. Instale un conector de conducto homologado por UL o aprobado por CSA en la caja de empalmes.



A. Conector de conducto homologado por UL o aprobado por CSA

5. Dirija el conducto flexible del horno a la caja de empalmes a través de un conector de conducto homologado por UL o aprobado por CSA.
6. Apriete los tornillos en el conector de conducto.
7. Vea "Cuadro de opciones de las conexiones eléctricas" para completar la instalación para su tipo de conexión eléctrica.

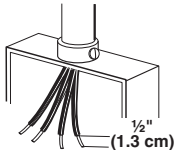
Cuadro de opciones de conexión eléctrica

Si la casa tiene:

Vaya a la sección:

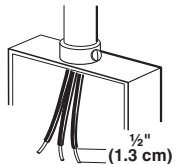
4 alambres

Cable de 4 alambres desde el suministro de energía



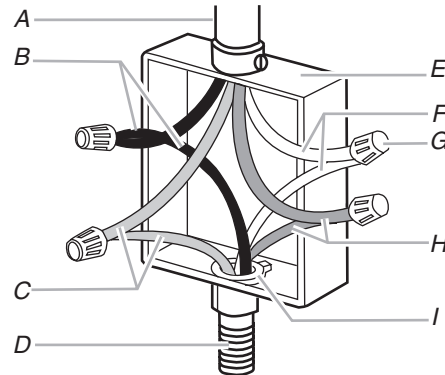
3 alambres

Cable de 3 alambres desde el suministro de energía



Cable de 4 alambres desde el suministro de energía

IMPORTANTE: Use el cable de 4 hilos del suministro de energía de la casa en los EE. UU. si los códigos locales no permiten la puesta a tierra a través del neutro, nuevas instalaciones de circuitos derivados (1996 NEC), casas rodantes y vehículos de recreación, en construcciones nuevas y en Canadá.



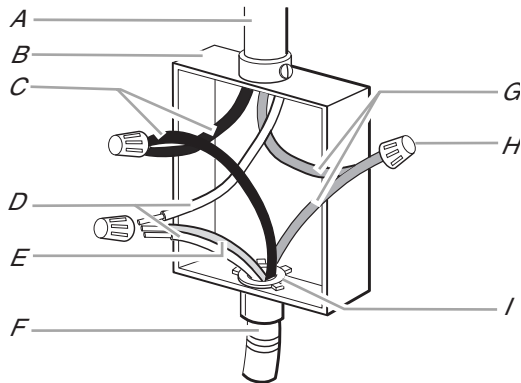
- A. Cable desde el suministro de energía de la casa
- B. Cables negros
- C. Cables rojos
- D. Conducto flexible de 4 cables del horno
- E. Caja de empalmes

- F. Cables blancos
- G. Conectores de cable homologados por UL
- H. Cables verdes (o desnudos) de puesta a tierra
- I. Conector de conducto homologado por UL o aprobado por CSA

1. Conecte los dos cables negros (B) juntos con un conector de cables homologado por UL.
2. Conecte los dos cables rojos (C) juntos con un conector de cables homologado por UL.
3. Separe el cable blanco del cable verde (o desnudo) de puesta a tierra que proviene del horno.
4. Conecte los dos cables blancos (F) juntos con un conector de cables homologado por UL.
5. Conecte el cable verde (o desnudo) de puesta a tierra (H) del cable del horno al cable verde (o desnudo) de puesta a tierra (en la caja de empalmes) con un conector de cables homologado por UL.
6. Instale la cubierta de la caja de empalmes.

Cable de 3 hilos del suministro de energía de la casa: Solo en EE. UU.

IMPORTANTE: Use el cable de 3 hilos del suministro de energía de la casa cuando los códigos locales permitan una conexión de 3 hilos.



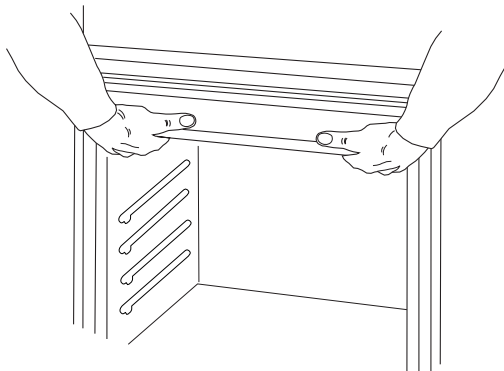
- | | |
|--|--|
| A. Cable desde el suministro de energía de la casa | F. Conducto flexible de 4 cables del horno |
| B. Caja de empalmes | G. Cables rojos |
| C. Cables negros | H. Conectores de cable homologados por UL |
| D. Cables blancos | I. Conector de conducto homologado por UL o aprobado por CSA |
| E. Cable verde (o desnudo) de puesta a tierra (desde el horno) | |

1. Conecte los dos cables negros (C) juntos con un conector de cables homologado por UL.
2. Conecte los dos cables blancos (D) y el cable verde (o desnudo) de puesta a tierra (del cable del horno) con un conector de cables homologado por UL.
3. Conecte los dos cables rojos (G) juntos con un conector de cables homologado por UL.
4. Instale la cubierta de la caja de empalmes.

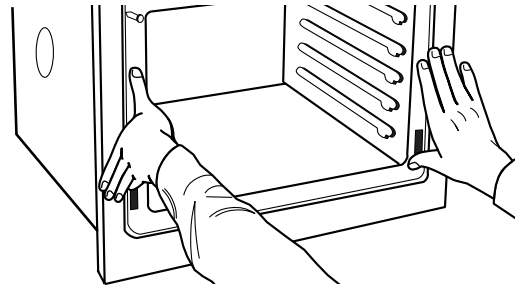
Instale el horno

1. Con la ayuda de dos o más personas, levante el horno parcialmente dentro del corte del armario. Use la abertura del horno como una zona para aferrar.

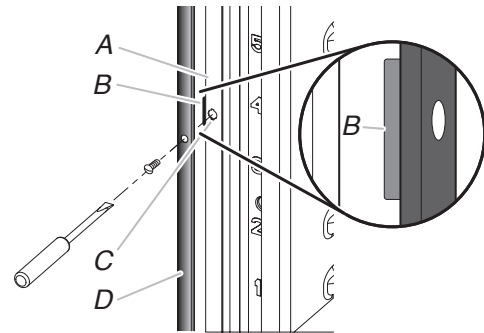
NOTA: Empuje contra la zona del sello del marco delantero del horno cuando empuje el horno dentro del armario. No empuje contra los bordes externos.



2. Empuje contra la zona del sello del marco delantero para empujar el horno dentro del armario hasta que la superficie trasera del marco delantero toque la pared delantera del armario.



3. Empuje el horno por completo dentro del armario y céntrelo en el corte del armario.
4. Retire la cinta del borde delantero negro y retire la abrazadera plástica del separador de montaje.
 - Sujete con seguridad el horno al armario con los tornillos n.º 8-14 x 1" (2,5 cm) que se proveen.
 - Inserte los tornillos a través de los orificios del borde negro y alinee con los orificios del marco del horno y los separadores de montaje que ya están en su lugar. No apriete demasiado los tornillos.

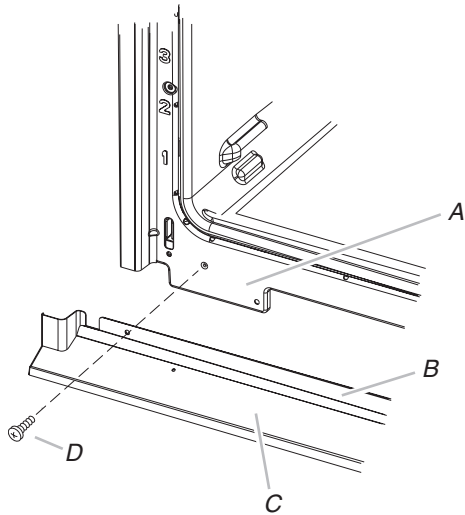


- | |
|---------------------------------|
| A. Marco del horno |
| B. Separador de montaje |
| C. Orificio del marco del horno |
| D. Pieza de borde negro |

5. El ducto de ventilación inferior y el borde del ducto de ventilación inferior (requeridos cuando el horno se instala con las patas en la posición alta) se envían en el empaque de espuma en la parte superior del horno.

Para instalar únicamente el ducto de ventilación inferior, vea las instrucciones que siguen. Para instalar tanto el ducto de ventilación inferior como el borde del ducto de ventilación inferior, en instalaciones con las patas en la posición alta, vea las instrucciones del paso 6.

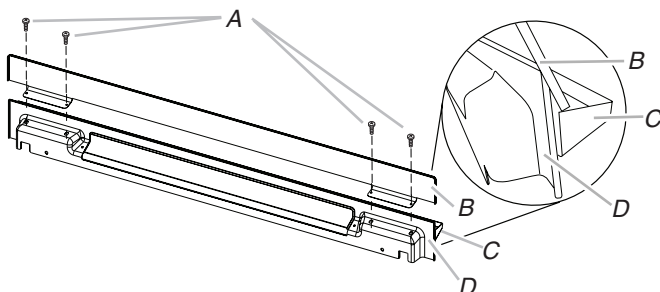
- Alinee la lengüeta del ducto de ventilación (B) con el marco del horno (A) como se muestra.
- Use un tornillo n.º 8-18 x 3/8" (9,5 mm) (D) a cada lado de la lengüeta del ducto de ventilación (B) para sujetar con seguridad el ducto de ventilación al horno.



A. Marco del horno
B. Lengüeta de ducto de ventilación
C. Ducto de ventilación del horno
D. Tornillos n.º 8-18 x 3/8" (9,5 mm)

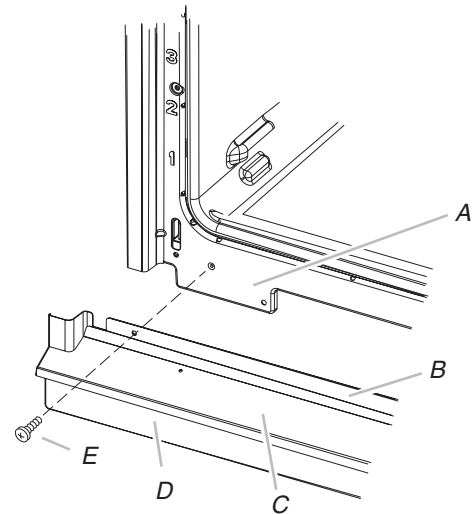
6. En los modelos con las patas instaladas en la posición alta, también debe instalarse el borde del ducto de ventilación inferior. Vea las instrucciones a continuación para la instalación.

- Flexione la pieza superior del ducto de ventilación (C) fuera de la pieza inferior del ducto de ventilación (D) para deslizar el borde del ducto de ventilación inferior (B) entre ellas. Es posible que se requiera algo de fuerza para flexionar el borde del ducto de ventilación superior (C) fuera del borde del ducto de ventilación inferior (D). Es posible que también se requiera algo de fuerza para flexionar el borde del ducto de ventilación inferior (B) y deslizarlo en su posición. Asegúrese de que los orificios de los tornillos estén debidamente alineados entre las dos piezas. Vea la siguiente ilustración.
- Instale el borde del ducto de ventilación inferior (B) en la pieza inferior del ducto de ventilación (D) con dos tornillos n.º 8-18 x 1/4" (6,4 mm) a cada lado.



A. Tornillo n.º 8-18 x 1/4" (6,4 mm)
B. Borde de ducto de ventilación inferior
C. Pieza superior del ducto de ventilación
D. Pieza inferior del ducto de ventilación

- Alinee la lengüeta del ducto de ventilación (B) con el marco del horno (A) como se muestra.
- Use un tornillo n.º 8-18 x 3/8" (9,5 mm) (E) a cada lado de la lengüeta del ducto de ventilación (B) para sujetar con seguridad el ducto de ventilación al horno.



A. Marco del horno
B. Lengüeta de ducto de ventilación
C. Ducto de ventilación del horno
D. Borde de ducto de ventilación inferior
E. Tornillo n.º 8-18 x 3/8" (9,5 mm)

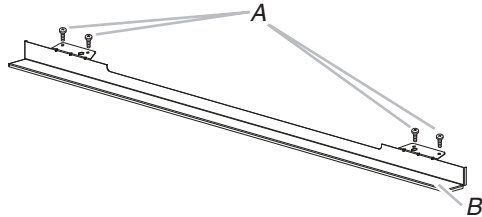
7. Vuelva a colocar las rejillas del horno.
8. Vuelva a colocar la puerta del horno. Vea la sección "Vuelva a colocar la puerta del horno".
9. Verifique que la puerta pueda abrirse y cerrarse bien. De lo contrario, repita los procedimientos para retirar e instalar la puerta. Vea la sección "Prepare el horno integrado".
10. Repita el procedimiento para la puerta del horno inferior.
11. Reconecte el suministro eléctrico.
12. El panel de la pantalla se iluminará brevemente y debe aparecer "PF" en la pantalla.
13. Si el panel de la pantalla no se enciende, consulte la sección "Garantía" del Manual de uso y cuidado.

Instale el kit de deflector para cajón de calentamiento

(solo para los hornos instalados encima de un cajón de calentamiento)

En los modelos con hornos simples y dobles instalados encima de un cajón de calentamiento, se debe instalar un kit de deflector para cajón de calentamiento. Vea la sección "Herramientas y piezas" para obtener información sobre pedidos.

Piezas suministradas en el kit de deflector

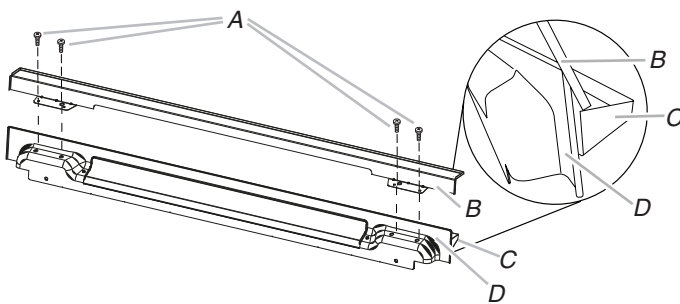


- A. Tornillos de cabeza Phillips (4), solo 2 tornillos para el tamaño de 27" (68,6 cm)
B. Deflector para cajón de calentamiento (1)

Instale el kit de deflector

1. Flexione la pieza superior del ducto de ventilación (C) fuera de la pieza inferior del ducto de ventilación (D) para deslizar el deflector para cajón de calentamiento (B) entre ellas. Es posible que se requiera algo de fuerza para flexionar el borde del ducto de ventilación superior (C) fuera del borde del ducto de ventilación inferior (D). Es posible que también se requiera algo de fuerza para flexionar el deflector para cajón de calentamiento (B) y deslizarlo en su posición. Asegúrese de que los orificios de los tornillos estén debidamente alineados entre las dos piezas. Vea la siguiente ilustración.
2. Instale el deflector para cajón de calentamiento (B) en la pieza inferior del ducto de ventilación (D) con dos tornillos n.º 8-18 x 1/4" (6,4 mm) a cada lado.

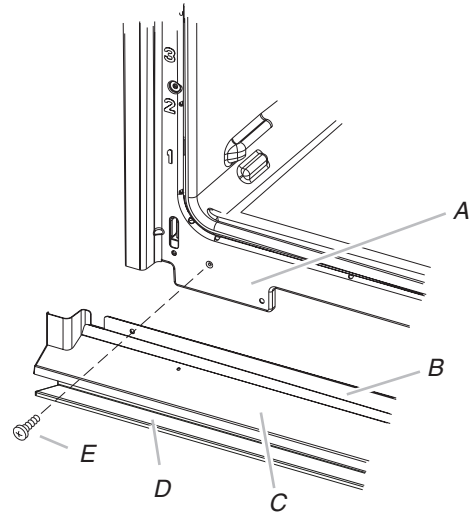
NOTA: En los modelos de 27" (68,6 cm), se usa un solo tornillo n.º 8-18 x 1/4" (6,4 mm) a cada lado.



- A. Tornillos n.º 8-18 x 1/4" (6,4 mm)
B. Deflector para cajón de calentamiento
C. Pieza superior del ducto de ventilación
D. Pieza inferior del ducto de ventilación

3. Alinee la lengüeta del ducto de ventilación (B) con el marco del horno (A) como se muestra en la ilustración que sigue.

4. Use un tornillo n.º 8-18 x 3/8" (9,5 mm) (E) a cada lado de la lengüeta del ducto de ventilación (B) para sujetar con seguridad el ducto de ventilación al horno.



- A. Marco del horno
B. Lengüeta de ducto de ventilación
C. Ducto de ventilación del horno
D. Deflector para cajón de calentamiento
E. Tornillo n.º 8-18 x 3/8" (9,5 mm)

Finalización de la instalación

1. Verifique que todas las piezas estén ahora instaladas. Si hay alguna pieza extra, vuelva a revisar todos los pasos para ver cuál se omitió.
2. Verifique que tenga todas las herramientas.
3. Deseche o recicle todos los materiales de empaque.
4. Lea el Manual de uso y cuidado para obtener información acerca del uso y la limpieza del horno.

Verifique el funcionamiento de hornos simples y dobles

1. En el primer uso, configure el idioma, el reloj y cualquier otra preferencia que esté disponible. Para obtener más información, lea el Manual de uso y cuidado.
2. Presione OVEN (Horno) en los modelos con horno simple.
NOTA: Presione UPPER (Superior) o LOWER (Inferior) en los modelos con horno doble.
3. Seleccione Cooking Methods (Métodos de cocción).
4. Seleccione Broil (Asar a la parrilla).
5. Ajuste la temperatura.
6. Seleccione Start (Inicio).

Si el horno no funciona, revise lo siguiente:

- Que el fusible de la casa esté intacto y apretado o que no se haya disparado el disyuntor.
 - Que el suministro eléctrico esté conectado.
 - Vea la sección "Solución de problemas" del Manual de uso y cuidado.
7. Cuando el horno haya estado funcionando durante 5 minutos, revise si hay calor.
Si no siente calor o si aparece un mensaje de error en la pantalla, apague el horno y contacte a un técnico competente.
 8. Presione UPPER (Superior) o LOWER (Inferior) en los hornos dobles, o presione OVEN (Horno) en los hornos simples, para cancelar.

Si necesita ayuda o servicio técnico:

Consulte la sección "Garantía" del Manual de uso y cuidado.

