



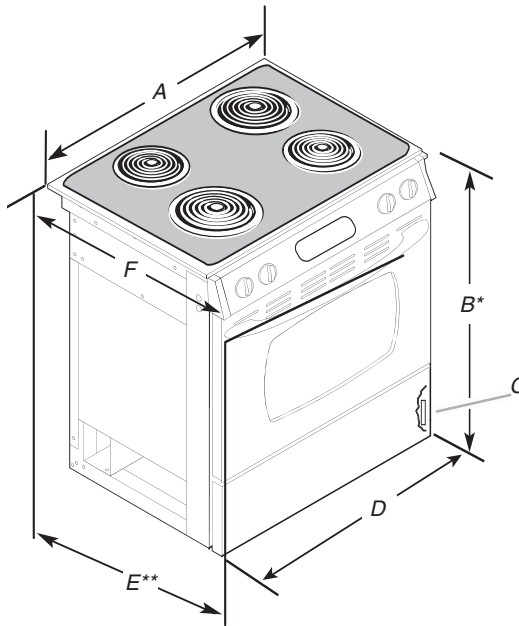
# Slide-In Electric Range

## PRODUCT MODEL NUMBERS

RY160LXT

**Electrical:** When a 4-wire or 3-wire, single phase 120/240 volt, 60 Hz, AC only electrical supply is available (or, if specified on the model/serial rating plate, when a 4-wire or 3-wire single phase 120/208 volt 60 Hz, AC only electrical supply is available), a 40- or 50-amp maximum circuit protection is required, fused on both sides of the line. A time-delay fuse or circuit breaker is recommended. The model/serial rating plate is located on the oven frame behind the storage drawer panel.

## OVERALL DIMENSIONS



- A. 30-3/4" (78 cm)
- B. 35-3/4" (90.8 cm) height to underside of cooktop edge with leveling legs screwed all the way in\*
- C. Model/serial number plate (located behind the storage drawer on the right-hand side of the oven frame)
- D. 29-7/8" (75.9 cm)
- E. 28-5/16" (71.9 cm) from handle to standoff at back of range\*\*
- F. 23-3/4" (60.3 cm) countertop notch to rear of cooktop

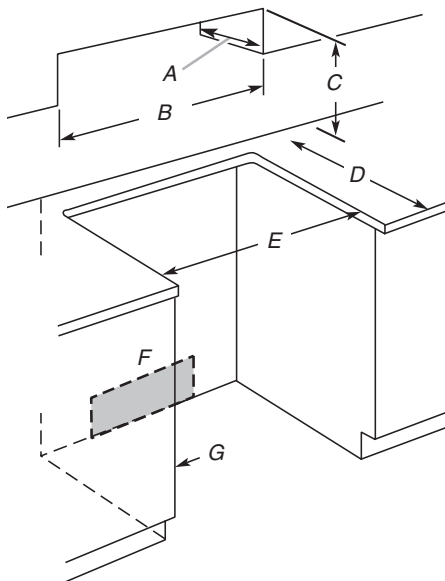
\*Range can be raised approximately 1" (2.5 cm) by adjusting the leveling legs.

\*\*When installed in a 24" (61 cm) base cabinet with 25" (63.5 cm) countertop; front of oven door protrudes 2-1/2" (6.4 cm) beyond 24" (61 cm) base cabinet.

## CABINET OPENING DIMENSIONS

Cabinet opening dimensions shown are for 25" (64 cm) countertop depth, 24" (61 cm) base cabinet depth and 36" (91.4 cm) countertop height.

If installing a range hood or microwave hood combination above the range, follow the range hood or microwave hood combination installation instructions for dimensional clearances above the cooktop surface.



- A. 13" (33 cm) upper cabinet depth
- B. 30" (76.2 cm) min. opening width
- C. For minimum clearance to the top of the cooktop, see NOTE\*.
- D. 23-1/4" (58.1 cm) opening depth
- E. 30" (76.2 cm) min. opening width
- F. Junction box - 5.5" (14 cm) min. from either cabinet, 10" (25.4 cm) max. from floor. Outlet must be flush. Nothing located in shaded area can extend more than 2" (5.1 cm) from wall or range will not slide all the way back
- G. Cabinet door or hinge should not extend into cutout

**NOTE:** 24" (61 cm) minimum when bottom of wood or metal cabinet is protected by not less than 1/4" (0.64 cm) flame retardant (0.64 cm) flame retardant 0.015" (0.4 mm) stainless steel, 0.024" (0.6 mm) aluminum or 0.020" (0.5 mm) copper.

30" (76.2 cm) minimum clearance between the top of the cooking platform and the bottom of an unprotected wood or metal cabinet.