

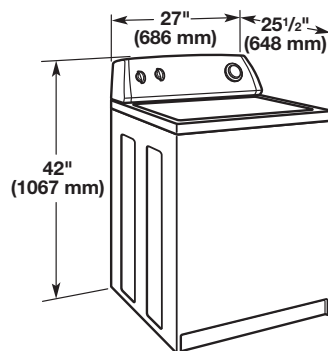
Whirlpool® Top Load Washer

PRODUCT MODEL NUMBERS

WTW5100V, WTW5200V, WTW5300V,
WTW5505V, WTW5590V, WTW57ESV,
WTW58ESV, WTW5600V

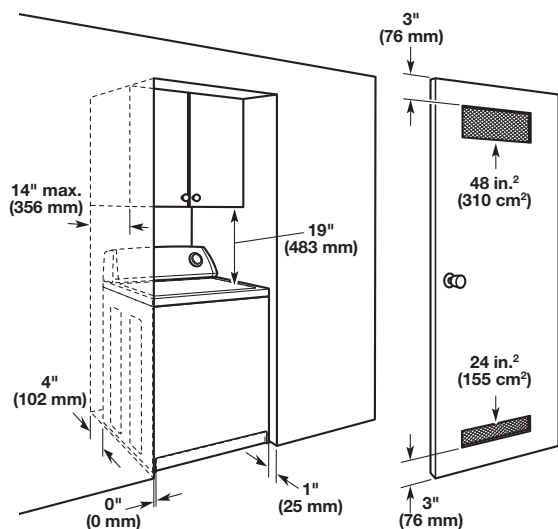
Electrical: A 120 volt, 60 Hz., AC only,
15- or 20-amp, fused electrical supply is required.
A time-delay fuse or circuit breaker is recommended.
It is recommended that a separate circuit serving
only this appliance be provided.

OVERALL DIMENSIONS



RECESSED AREA OR CLOSET INSTALLATION

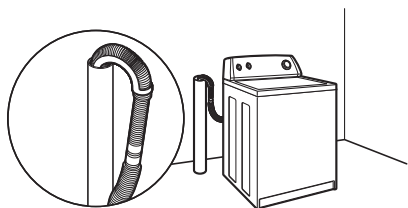
For closet installation, with a door, the minimum ventilation openings in the top and bottom of the door are required. Louvered doors with equivalent air ventilation openings are acceptable.



DRAIN SYSTEM OPTIONS

Drain system can be installed using a floor drain, wall standpipe, floor standpipe, or laundry tub. Select method you need.

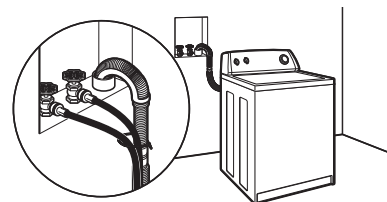
Floor standpipe drain system



Minimum diameter for a standpipe drain: 2" (51 mm).
Minimum carry-away capacity: 17 gal. (64 L) per minute.
A 1/4" (6 mm) diameter to 1" (25 mm) diameter Standpipe Adapter Kit is available (Part Number 40923). To order, please see the phone number on back page of your Washer User Instructions. Top of standpipe must be at least 39" (991 mm) high; install no higher than 96" (2438 mm) from bottom of washer. If you must install higher than 96" (2.44 m), you will need a sump pump system.

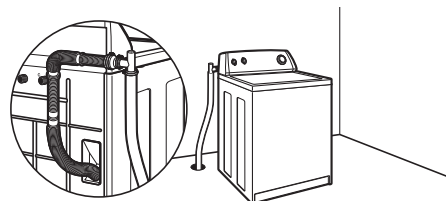
DRAIN SYSTEM OPTIONS

Wall standpipe drain system



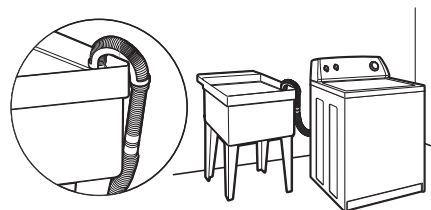
See requirements for floor standpipe drain system

Floor drain system



Floor drain system requires a Siphon Break Kit (Part Number 280129A) and additional drain hose (Part Number 285702) that may be purchased separately. To order, please see the phone number in your Washer User Instructions. Minimum siphon break: 28" (711 mm) from bottom of washer. (Additional hoses might be needed.)

Laundry tub drain system



Minimum capacity: 20 gal. (76 L). Top of laundry tub must be at least 39" (991 mm) above floor; install no higher than 96" (2.44 m) from bottom of washer.

IMPORTANT: To avoid siphoning, no more than 8" (203 mm) of drain hose should be inside standpipe or below the top of wash tub. Secure drain hose with beaded tie strap.