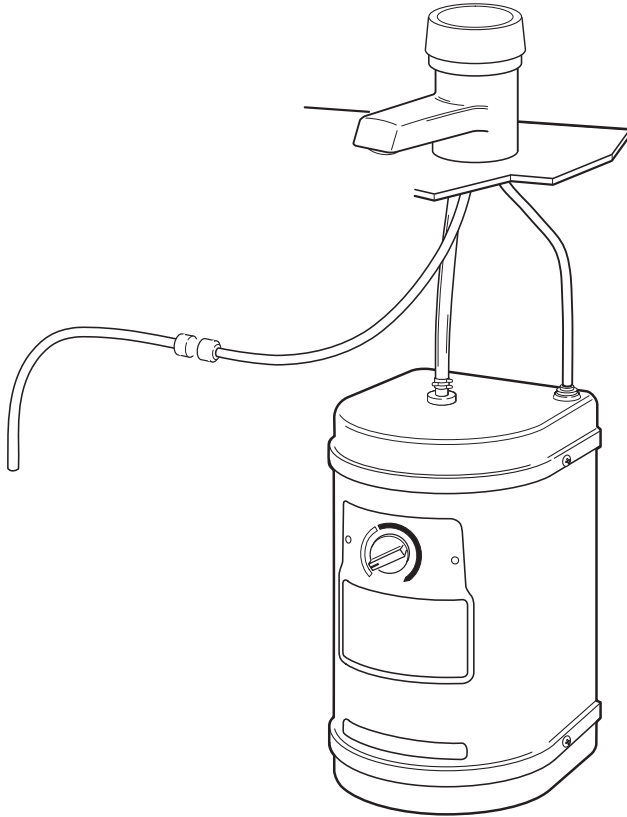




# Hot Water Dispenser

## Installation Instructions AND Use and Care Guide



**IMPORTANT:**  
Read and save these instructions.

**IMPORTANT:**  
**Installer:** Leave this guide with homeowner.  
**Homeowner:** Keep this guide for future reference. Save this guide for local electrical inspector's use.

### A Note to You

Please read the *Installation Instructions and Use and Care Guide*. It contains important information about how to install, operate and maintain your hot water dispenser properly and safely. Please read it carefully.

Also, please complete and mail the **Product Registration Card** provided with your hot water dispenser. This card helps us notify you about any new information for your hot water dispenser.

### Record your model's information

Write down the following information about your hot water dispenser to better help you obtain assistance or service if you ever need it. You will need to know your complete model number and serial number. You can find this information on the model and serial number label/plate.

If you need assistance or service, first see the "Troubleshooting" section of this book. After checking "Troubleshooting," additional help can be found by checking the "Requesting Assistance or Service" section.

**Builder/dealer name** \_\_\_\_\_  
**Address** \_\_\_\_\_  
**Phone number** \_\_\_\_\_  
**Model number** \_\_\_\_\_  
**Serial number** \_\_\_\_\_  
**Purchase date** \_\_\_\_\_  
**Date installed** \_\_\_\_\_

(See the "Parts and Features" section for model and serial number label/plate location.)

**Keep this book and your sales slip together for future reference.**

# Table of Contents

<b>A Note to you</b> . . . . .	Cover	<b>Using Your Hot Water Dispenser</b> . . . . .	10	<b>Troubleshooting</b> . . . . .	12
<b>Hot Water Dispenser Safety</b> . . . . .	2	Before using the first time . . . . .	10	<b>Requesting Assistance or Service</b> . . . . .	13
<b>Parts and Features</b> . . . . .	3	Temperature control . . . . .	10	<b>Warranty</b> . . . . .	14
How your hot water dispenser works . . . . .	3	Dispensing hot water . . . . .	10		
<b>Before You Start</b> . . . . .	4	Hot water dispenser uses . . . . .	10		
Tools and materials needed. . . . .	5	<b>Caring For Your Hot Water Dispenser</b> . . . . .	11		
Parts supplied. . . . .	5	Energy-saving tips and preparation for periods of nonuse . . . . .	11		
Electrical requirements . . . . .	5	Cleaning the spout screen. . . . .	11		
Water supply requirements . . . . .	5				
Installation Instructions . . . . .	6				

## Hot Water Dispenser Safety

**Your safety and the safety of others are very important.**

We have provided many important safety messages in this manual and on your appliance. Always read and obey all safety messages.



This is the safety alert symbol.

This symbol alerts you to potential hazards that can kill or hurt you and others.

All safety messages will follow the safety alert symbol and either the word “DANGER” or “WARNING”. These words mean:

**⚠ DANGER**

**You can be killed or seriously injured if you don't immediately follow instructions.**

**⚠ WARNING**

**You can be killed or seriously injured if you don't follow instructions.**

All safety messages will tell you what the potential hazard is, tell you how to reduce the chance of injury, and tell you what can happen if the instructions are not followed.

### IMPORTANT SAFETY INSTRUCTIONS

**WARNING: To reduce the risk of fire, electrical shock, or injury when using your hot water dispenser, follow these basic precautions:**

- Plug into grounded 3 prong outlet.
- Do not remove ground prong.
- Do not use an adapter.
- Do not use an extension cord.
- Disconnect power before servicing.

# Parts and Features

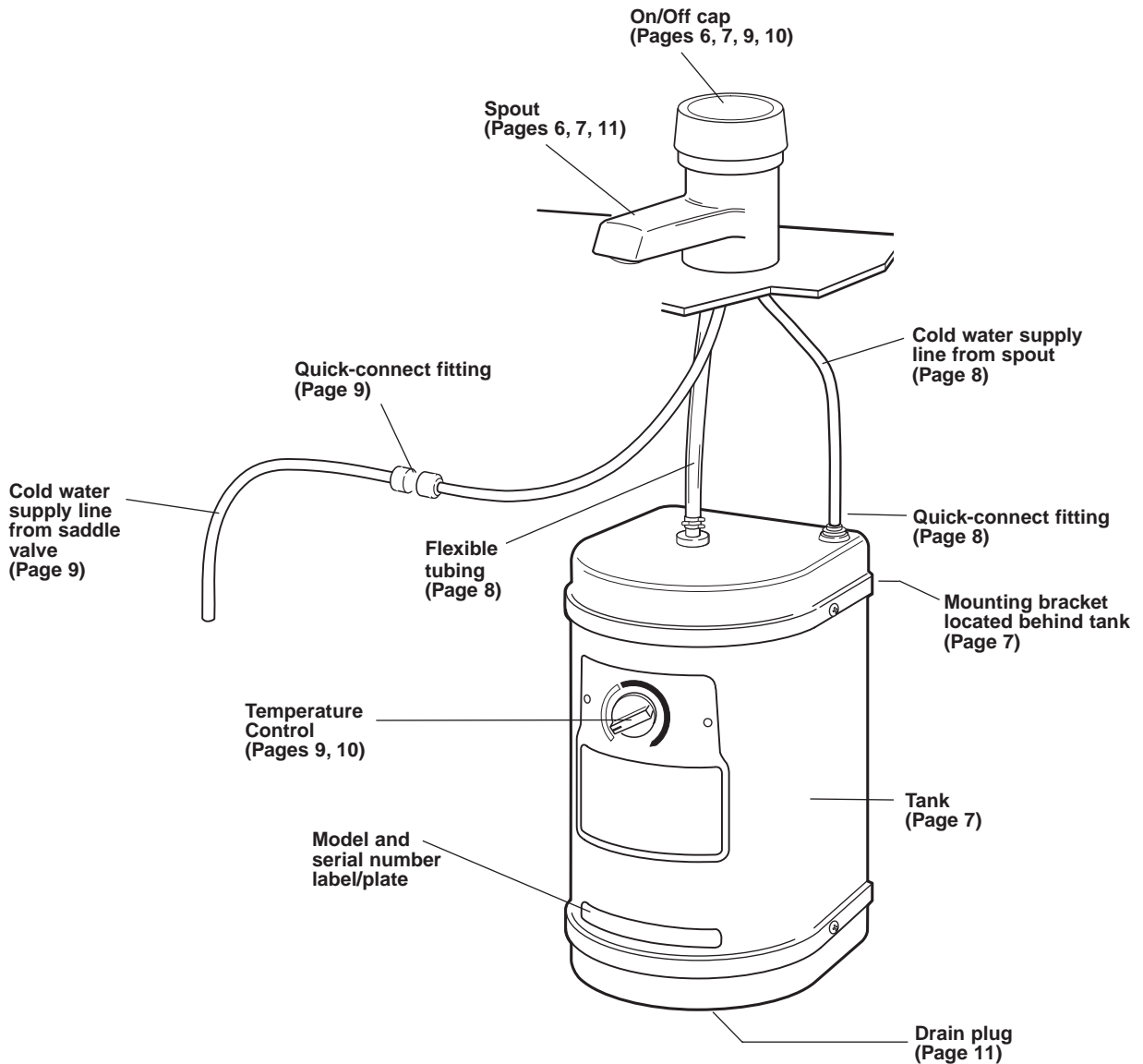
## How your hot water dispenser works

Water is electrically heated to a brewing/cooking hot 190°F by a tank that mounts under the sink. A thermostat maintains it at this approximate temperature. When you turn the On/Off Cap, cold water

enters the bottom of the tank and forces hot water out of the faucet. The system is vented so the tank is not pressurized.

Use this hot water dispenser illustration to help you quickly learn how to install and use your new hot water dispenser. Page numbers are

listed to help you find more detailed information about that feature.



# Before You Start

Check location where hot water dispenser will be installed. Proper installation is your responsibility. Make sure you have everything necessary for correct installation. It is the responsibility of the installer to comply with installation specifications and with state and local plumbing codes.

**Spout** requires a 1-1/16" to 1-3/8" diameter opening in sink or countertop. Spout can be installed in place of sink spray hose. For other installations, contact a qualified installer for best procedure to drill a hole through your type of sink or countertop. Thickness of sink or countertop hole must not exceed 1-1/8".

**Cold water supply connection** must be available. (See "Water supply requirements," Page 5.)

**Grounded electrical outlet** is required. (See "Electrical requirements," Page 5.) The outlet should be located within 42" of hot water dispenser tank.

If spout is not to be installed in sink spray hose opening, contact a qualified installer for the best procedure for cutting a spout opening in your type of sink or countertop.

**Plumbing connections** must comply with all sanitary and plumbing codes.

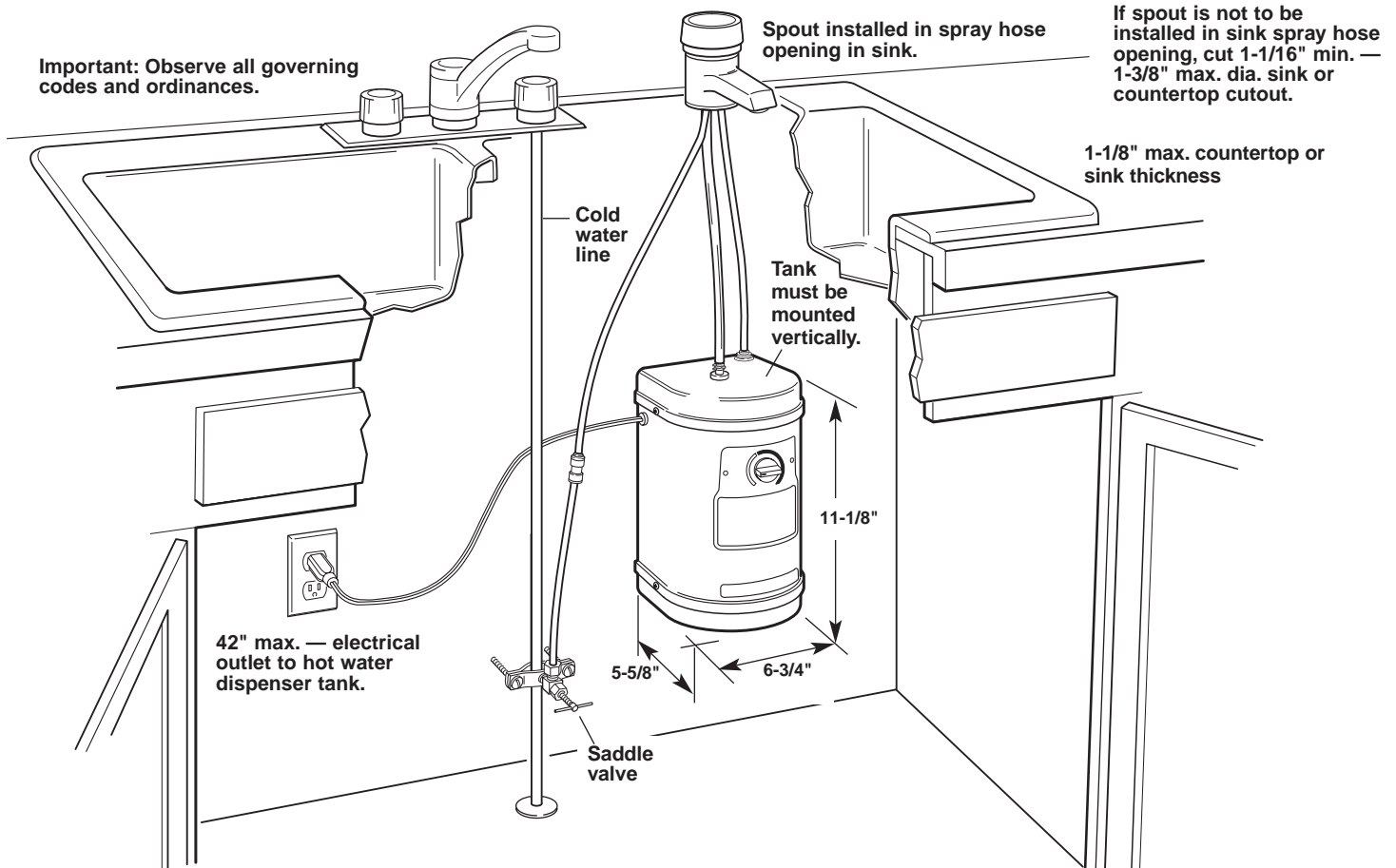
**Do Not** store or operate hot water dispenser below 32°F.

**Do Not** use pipe sealing compounds. They may get inside dispenser and cause an unpleasant taste or smell.

**Water connections** use quick-connect fittings which **Do Not** require sealing compounds to keep them from leaking.

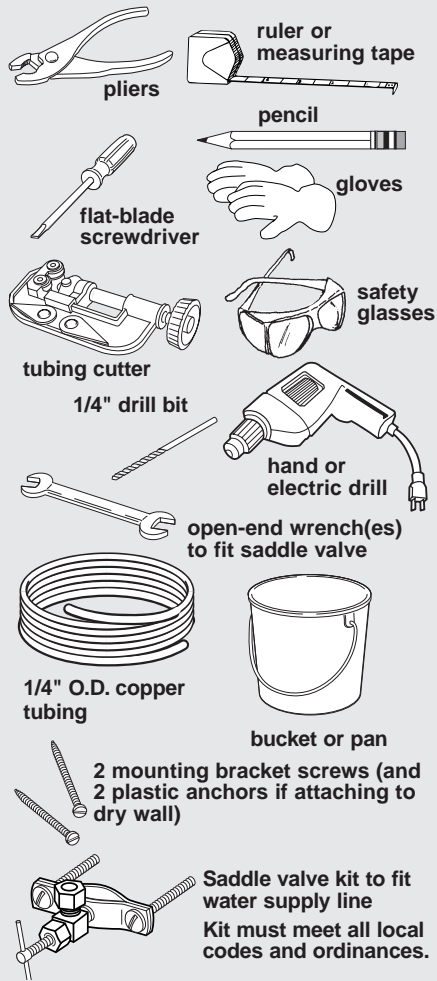
**Temperature Control** must be turned to "Off" position and the dispenser tank filled before connecting to electrical supply.

This hot water dispenser is **Not** a water purifier. Some installations may require a water filtering system to improve the quality of water.



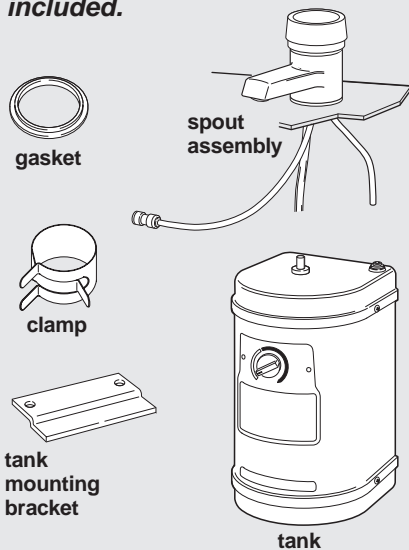
# Before You Start *cont.*

## Tools and materials needed



## Parts supplied

**Remove parts from packages. Check that all parts were included.**



## Electrical requirements

### ! WARNING



**Electrical Shock Hazard**  
Plug into a grounded 3 prong outlet.

**Do not remove ground prong.**

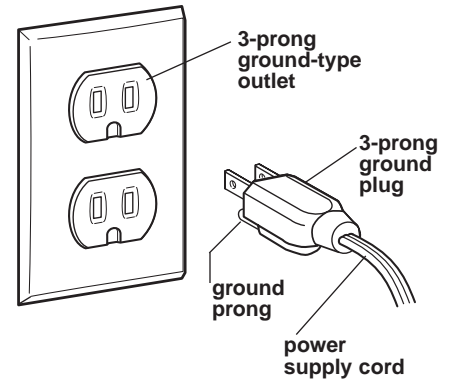
**Do not use an adapter.**

**Do not use an extension cord.**

**Failure to follow these instructions can result in death, fire, or electrical shock.**

**If codes permit and a separate ground wire is used, it is recommended that a qualified electrician determine that the ground path is adequate.**

A 120-volt, 60-Hz, AC-only 15- or 20- ampere fused, grounded electrical supply is required. It is recommended that a separate circuit serving only your hot water dispenser be provided. Use an outlet that cannot be turned on/off by a switch.



## Recommended ground method

For your personal safety, the hot water dispenser must be grounded. This appliance is equipped with a power supply cord having a 3-prong ground plug. To minimize possible shock hazard, the cord must be plugged into mating, 3-prong, ground-type outlet, grounded in accordance with all national and local codes and ordinances. If a mating outlet is not available, it is the personal responsibility and obligation of the customer to have a properly grounded, 3-prong outlet installed by a qualified electrician.

## Water supply requirements

If local codes permit, the hot water dispenser feed line should be connected to the cold water supply line using a saddle tapping valve.

**Important: If local codes Do Not permit the use of saddle valves, special feed valves can be obtained from your local plumbing supply distributor.**

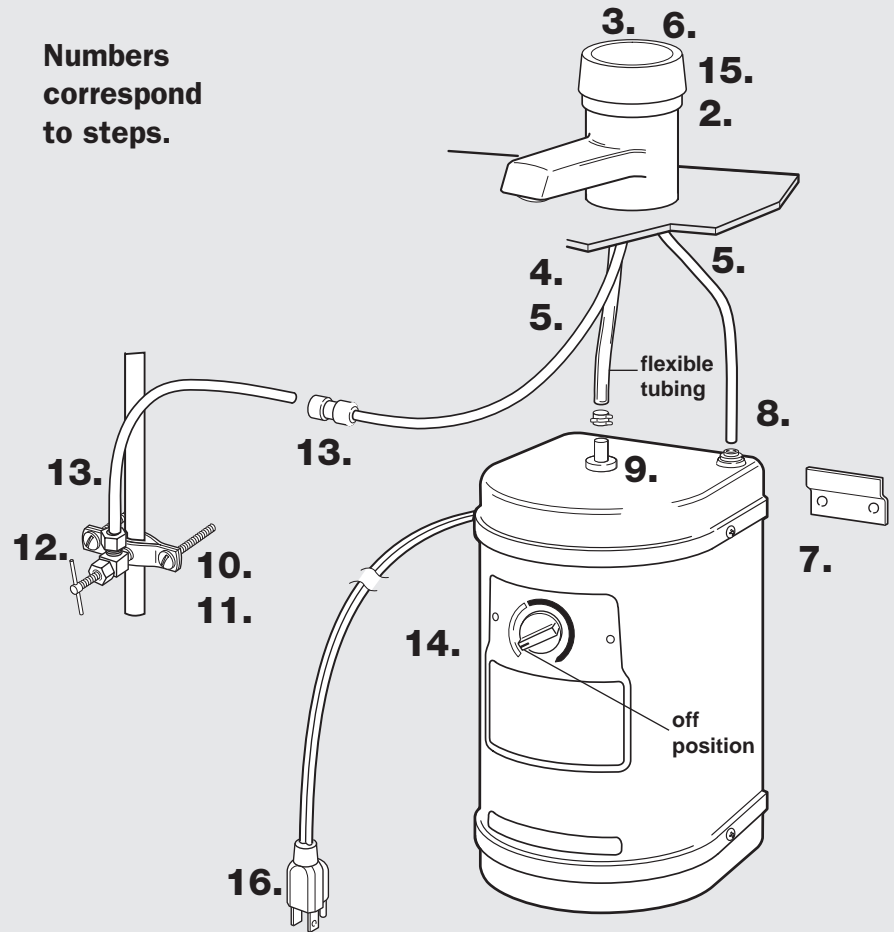
Connection to hot water line is not recommended. Energy will be wasted in heating the water twice and the magnesium rod used in household heating may produce a "rotten egg" taste.

If this unit is replacing a hot water dispenser connected to a hot water supply, the existing connection may be used.

A water filter is recommended if your water supply contains sand, grit or other particles. If a filter is used, the water pressure to the dispenser should not drop below 20 psi.

# Installation Instructions

Numbers correspond to steps.

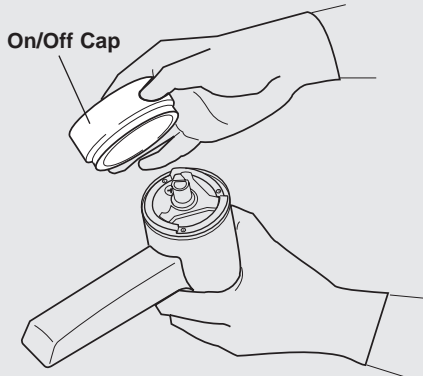


NOTE: Do NOT plug power supply cord into outlet.

**1.** Put on gloves and safety glasses.

**2.** Determine where you will install your hot water dispenser. Check below sink to assure that reinforcing ribs, support brackets or cabinet construction will not interfere with spout. Knock out plug from hole in sink or cut a hole in sink or countertop.

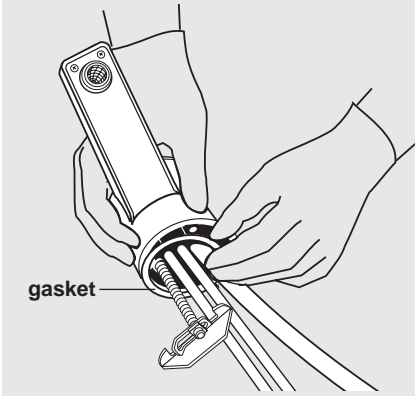
**NOTE:** It is recommended that only a licensed plumber or professional installer cut an opening in the sink or countertop.



**3.** Remove masking tape and tag from spout assembly. **Do Not remove quick-connect fittings from spout tubing or tank tubing.** Do not replace quick-connect fittings with brass fittings. Brass fittings can cause lead contamination.

Carefully pull On/Off Cap off the spout assembly and set aside.

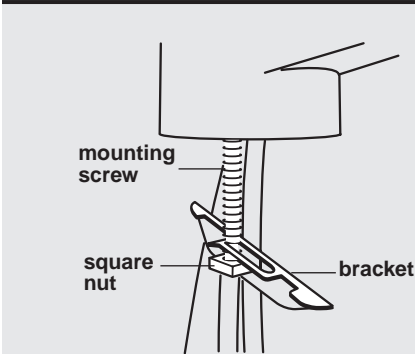
## Installation Instructions *cont.*



NOTE: Do NOT plug power supply cord into outlet.

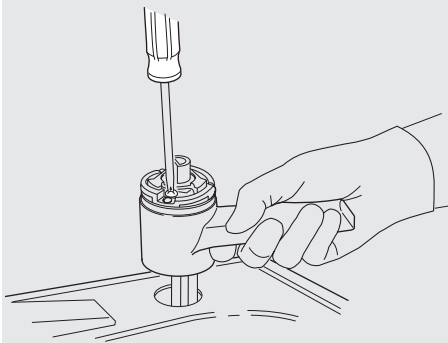
**4.** Lay spout assembly on flat surface with coiled tubing facing up. Using one hand to hold tubing just below spout, carefully straighten tubing with other hand.

Slide gasket over tubing so that lip side of gasket is seated into base of spout.

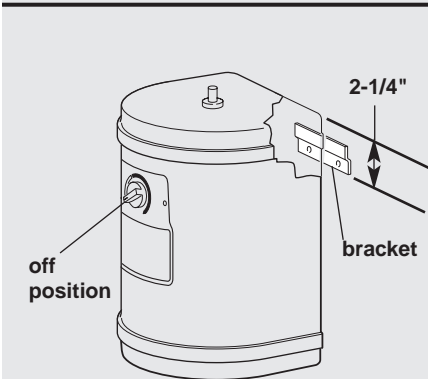


**5.** Loosen square nut until it is flush with end of the mounting screw. Tip spout bracket against mounting screw. (Bracket will form a "y" when in the correct position.)

Hold nut, bracket, gasket and tubing in position and insert into hole in sink or counter.



**6.** Pull up on spout body to keep tension on spout mounting bracket and nut. Tighten screw inside the spout until spout is securely in position. **Do not overtighten.** Snap on On/Off Cap.

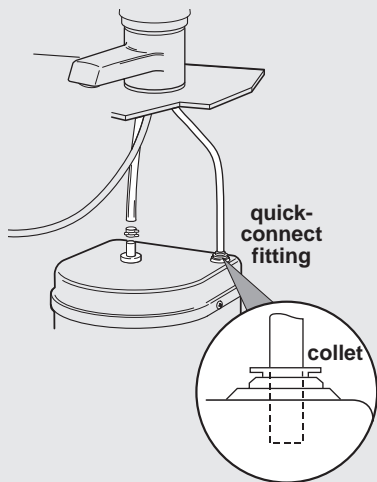


**7.** Position tank vertically beneath spout so that flexible tubing from spout reaches center stainless tubing on tank, and tank touches wall. Use a pencil to mark on the wall where the top of tank needs to be located. Set tank aside. Mark a second line 2-1/4" below the first line.

Position mounting bracket on wall so that bottom of mounting bracket is even with the lower line. Use two screws (and plastic anchors if attaching to dry wall) to fasten mounting bracket to wall. Hang tank on bracket.

**Note: The tank must be positioned so that the flexible tubing to the faucet does not kink.**

## Installation Instructions *cont.*

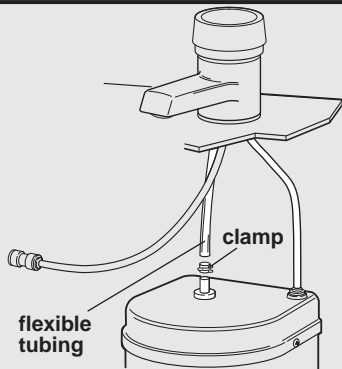


NOTE: Do NOT plug power supply cord into outlet.

**8.** Connect 1/4" spout tubing (longer tubing) to the rear quick-connect fitting on top of tank. Push tubing straight into fitting as far as it will go. Pull on tubing. The tubing should not come out when properly installed.

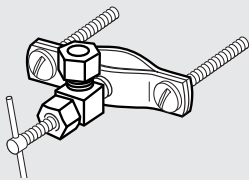
NOTE: If you need to remove tubing, push down on collet. Pull tubing out of quick-connect fitting.

**Do Not lengthen, twist or tightly bend tubing.**



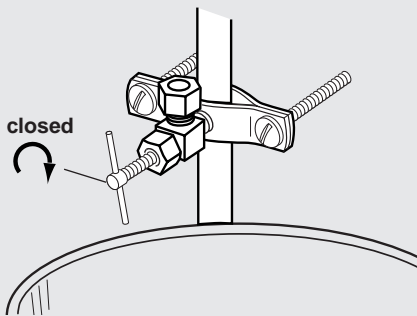
**9.** Connect flexible tubing from spout to center tank tubing using clamp. **Make sure flexible tubing does not kink.**


The flexible tubing may be shortened if necessary.



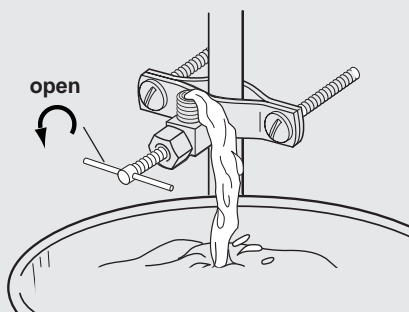
**10.** Install saddle valve following kit instructions. If water supply line is not copper, shut off water supply and drain line.

Drill a 1/4" hole into water supply line for the saddle valve piercing pin.



**11.** Turn saddle valve handle clockwise  until lance pierces soft copper tubing and valve is firmly seated. If the water line is not copper, turn the saddle valve handle clockwise until the valve is firmly seated. The valve is now in the closed position.

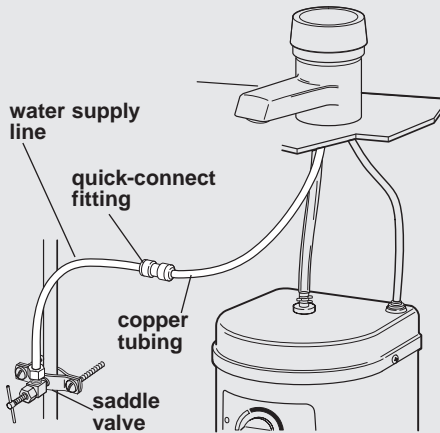
Place a bucket under open end of water supply line. Turn on main water supply valve to pressurize cold water line. Check for leaks.



**12.** Slowly open saddle valve and flush line into bucket to remove any foreign material that may have been trapped in the supply line during saddle valve installation. Close saddle valve.




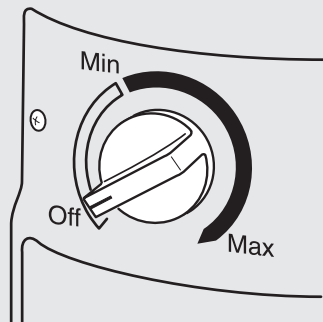
## Installation Instructions *cont.*



**13.** Connect water supply line from saddle valve to spout copper tubing with the factory-assembled quick-connect fitting. Push water supply line tubing straight into fitting as far as it will go. Pull on tubing.

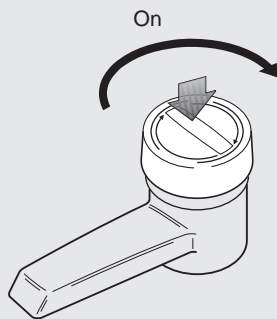
**NOTE:** If you need to remove tubing, push down on collet. Pull tubing out of quick-connect fitting.

The tubing should not come out when properly installed. Turn the saddle valve handle counterclockwise  to open water line.



**NOTE:** Do NOT plug power supply cord into outlet.

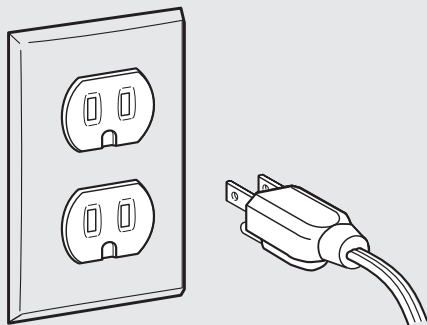
**14.** Turn Temperature Control counterclockwise to "Off" position.



**15.** Push down and turn the On/Off Cap clockwise to open spout. Hold cap open to fill tank (about 1 minute). When tank is full, water will flow from spout. Release cap.

**NOTE:** Turn Temperature Control to "Off" position before plugging hot water dispenser into power supply. If tank is empty and thermostat is in an "On" position when the

power supply cord is connected, the heater will overheat causing an unpleasant taste, black specks in the water, and permanent damage to the heater seals.



**16.** Plug power supply cord into grounded 3-prong outlet.

Turn Temperature Control clockwise to highest position.

Water in tank will reach maximum temperature in approximately 15 minutes.

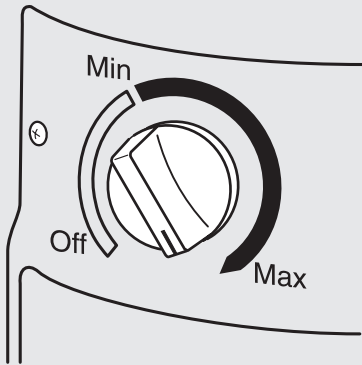
When water is heating, you may hear gurgling noises coming from the tank. There may also be some spitting or

hot water flow from the faucet. This is normal for the initial heat-up of the dispenser.

Turn Temperature Control to lower temperature setting if you notice vapor or hear boiling noise.

**NOTE:** Temperature Control controls tank heater, not water delivery. Rotate Temperature Control clockwise to raise water temperature, counterclockwise to lower water temperature.

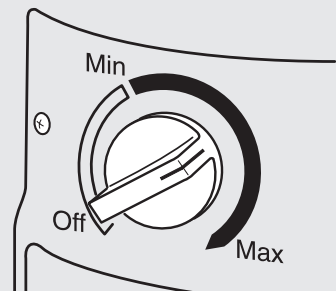
# Using Your Hot Water Dispenser



## Before using the first time

Check that installation Steps 14-16 were completed.

The hot water dispenser can be permanently damaged if these steps are not followed.

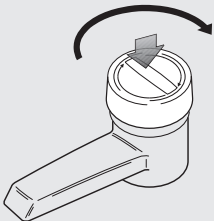


## Temperature control

The water temperature is thermostatically controlled. It can be adjusted from "Off" to approximately 190°F.

To raise or lower the temperature, turn the Temperature Control. The "Max" setting is recommended for

best performance. However, under certain conditions, it is possible for the water to boil when the Temperature Control is set at "Max." If you see any vapor or hear boiling, turn Temperature Control to lower temperature as necessary.



## Dispensing hot water

Push down and turn the On/Off Cap clockwise and hold until desired amount of hot water is obtained. You can control the flow of water by how far you turn the cap.

For maximum flow, turn cap until it stops. Release the On/Off Cap to turn off water.

## Hot water dispenser uses

Regardless of what food you are preparing, you'll appreciate the convenience and time saved by your hot water dispenser. The dispenser allows you to draw the amount of hot

water you require [up to 2 quarts at one time]. It eliminates the need to heat a full teakettle for a cup of hot water.

## Preparing instant foods and drinks

Instant foods that require only 190°F water for complete preparation include:

- coffee
- tea
- hot chocolate
- soup or bouillon
- mashed potatoes
- instant cereal
- frosting mix

## Cooking shortcuts

190°F water will give you a fast start for any food you cook that requires boiling water such as:

- packaged dinners
- fresh or frozen vegetables
- dried soup
- meat cooked in liquid
- hot cereals
- pasta and rice
- boiling eggs

## Other uses

- loosening jar lids
- peeling tomatoes or peaches
- dissolving gelatin
- thawing frozen foods
- preparing vegetables for canning

# Caring For Your Hot Water Dispenser

## Energy-saving tips and preparation for periods of nonuse

On average, you will use your hot water dispenser to heat 7 to 8 cups of water per day. This uses only 19 kilowatt-hours of energy per month. So it is Not necessary to turn off the hot water dispenser each night to conserve energy.

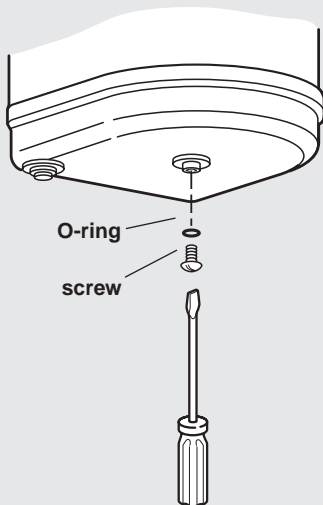
However, if the hot water dispenser will not be used for an extended period of time, follow these instructions:

### For short periods (2-30 days of nonuse):

Set the Temperature Control to the "Off" position to conserve energy.

### For long periods of nonuse (winterizing, seasonal storage or protection from freezing):

*When ready to use the dispenser again, follow Installation Instruction Steps 14-16, Page 9. Do Not Turn Unit On If Tank Is Empty. Damage to the unit will result and is not covered by the warranty.*

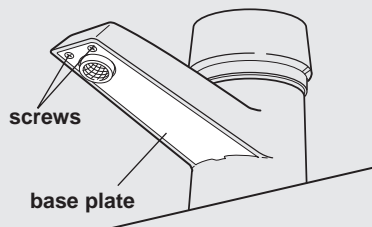


1. Turn Temperature Control to the "Off" position.
2. Unplug hot water dispenser power supply cord.
3. Turn On/Off Cap, hold and run water until water is cold.
4. Turn saddle valve handle clockwise to turn off water supply.
5. Place a 3-quart minimum container under the drain plug at the bottom of the tank.
6. Use a screwdriver to remove the screw and O-ring from the drain tube.
7. Replace the screw and O-ring in the drain tube opening. Tighten the screw to reseal the drain.

## Cleaning the spout screen

If you have very hard water, and you notice that the water flow is reduced,

it may be necessary to clean the spout screen.



1. Turn Temperature Control to the "Off" position. Push down and turn On/Off Cap clockwise and run water until it is cold to avoid possibility of burn.
2. Remove the two spout screws.
3. Remove spout base plate.
4. Pull the screen assembly out of the hot water tube.
5. Use a small brush and vinegar to remove hard-water deposit.  
If deposit has hardened, soak in vinegar for an hour or two. Then use a brush to clean.
6. Replace screen assembly in tube. Reattach plate back onto spout.
7. Turn Temperature Control to the "Max" setting. The dispenser will be ready in about 15 minutes.

# Troubleshooting

## Before calling for service...

If hot water dispenser does not operate, check these points first:

- Has circuit breaker tripped or house fuse blown?
- Is the Temperature Control set to the "Off" position?
- Is the electrical outlet controlled by a switch?
- Is power supply cord plugged in?
- Has the water supply been turned off?

If you need more help, check the chart below. This could save you the cost of a service call for a problem that is not covered by the warranty.

PROBLEM	CHECK THE FOLLOWING
<b>Water is not hot.</b>	<ul style="list-style-type: none"> <li>■ Check that the circuit breaker is not tripped or the house fuse blown.</li> <li>■ Check that power supply cord is plugged into electrical outlet.</li> <li>■ Check if the electrical outlet is operated by a switch. The switch may have turned power off.</li> <li>■ Cold water in tank is still being heated. Wait 15 minutes and check temperature again.</li> <li>■ Check that the Temperature Control is set to the "Max" setting.</li> </ul>
<b>Vapor appears, dispenser makes boiling water noises, or water is too hot.</b>	<ul style="list-style-type: none"> <li>■ Adjust Temperature Control to a lower setting that eliminates the vapor or noise. If you live at a high altitude, you may need to lower the thermostat setting to keep water from boiling.</li> </ul>
<b>Hot water drips or sputters from spout.</b>	<ul style="list-style-type: none"> <li>■ Check that tubing is not bent or kinked.</li> <li>■ Adjust Temperature Control to a lower setting that eliminates the drips or sputters.</li> <li>■ Check that spout screen is not clogged. See "Caring For Your Hot Water Dispenser," Page 11.</li> <li>■ Check for proper installation of copper tubing from spout to storage tank and from spout to cold water line. See "Installation Instructions," Pages 8-9.</li> </ul>
<b>Water does not flow from spout.</b>	<ul style="list-style-type: none"> <li>■ Check that water supply valve is open.</li> <li>■ Check that spout screen is not clogged. See "Caring For Your Hot Water Dispenser," Page 11.</li> <li>■ If a water filter is used, check that water pressure to hot water dispenser is 20 psi minimum.</li> </ul>
<b>Leaking saddle valve.</b>	<ul style="list-style-type: none"> <li>■ Tighten saddle valve clamp screws evenly and firmly. Keep both halves of bracket parallel. Do Not crush water supply tubing.</li> </ul>
<b>Water has a "rotten egg" taste.</b>	<ul style="list-style-type: none"> <li>■ Hot water dispenser is attached to hot water line. Attach to cold water line.</li> <li>■ Install a water filtration system on cold water line to dispenser.</li> </ul>

# Requesting Assistance or Service

To avoid unnecessary service calls, please check the "Troubleshooting Guide" section. It may save you the cost of a service call. If you still need help, follow the instructions below.

## 1. If you need assistance\* ...

**Call the Whirlpool Customer Interaction Center telephone number. Dial toll-free from anywhere in the U.S.A. 1-800-253-1301** and talk with one of our



trained consultants or visit [www.whirlpool.com](http://www.whirlpool.com). The consultant can instruct you in how to obtain satisfactory operation from your appliance or, if service is necessary, recommend a qualified service company in your area.

If you prefer, write to:

Whirlpool Corporation  
Customer Interaction Center  
553 Benson Road  
Benton Harbor, MI 49022-2692

Please include a daytime phone number in your correspondence.

## 2. If you need service\* ...

Whirlpool has a nationwide network of authorized Whirlpool service companies. Whirlpool service technicians are trained to fulfill the product warranty and provide after-warranty service, anywhere in the United States. To locate the authorized Whirlpool service company in your area, call our Consumer Assistance Center telephone number (see Step 1) or look in your telephone directory Yellow Pages under:



•**APPLIANCE-HOUSEHOLD- MAJOR, SERVICE & REPAIR**  
-See: Whirlpool Appliances or Authorized Whirlpool Service (Example: XYZ Service Co.)

•**WASHING MACHINES & DRYERS, SERVICE & REPAIR**  
-See: Whirlpool Appliances or Authorized Whirlpool Service (Example: XYZ Service Co.)

## 3. If you need FSP® replacement parts ...

FSP is a registered trademark of Whirlpool Corporation for quality parts. Look for this symbol of quality whenever you need a replacement part for your WHIRLPOOL® appliance. FSP replacement parts will fit right and work right, because they are made to the same exacting specifications used to build every new WHIRLPOOL appliance.

To locate FSP replacement parts in your area, refer to Step 2 or call the Whirlpool Consumer Assistance Center number in Step 1.

### \* When asking for help or service:

Please provide a detailed description of the problem, your appliance's complete model and serial numbers, and the purchase date. (See Page 2.) This information will help us respond properly to your request.

# WHIRLPOOL®

## Hot Water Dispenser Warranty

LENGTH OF WARRANTY:	WHIRLPOOL WILL PAY FOR:	WHIRLPOOL WILL NOT PAY FOR:
<b>ONE YEAR FULL WARRANTY</b> FROM DATE OF INSTALLATION	Replacement parts and repair labor costs to correct defects in materials or workmanship. Service must be provided by an authorized Whirlpool servicing outlet.	<b>A.</b> Service calls to: <ol style="list-style-type: none"> <li>1. Correct the installation of the Hot Water Dispenser.</li> <li>2. Instruct you how to use the Hot Water Dispenser.</li> <li>3. Replace house fuses or correct house wiring.</li> <li>4. Replace house plumbing.</li> </ol> <b>B.</b> Repairs when Hot Water Dispenser is used in other than normal home use. <b>C.</b> Damage resulting from accident, alteration, misuse, abuse, improper installation, or installation not in accordance with local electrical codes or plumbing codes. <b>D.</b> Replacement parts or repair labor costs for units operated outside the United States. <b>E.</b> Pickup and delivery. This product is designed to be repaired in the home.

2/98

**WHIRLPOOL DOES NOT ASSUME ANY RESPONSIBILITY FOR INCIDENTAL OR CONSEQUENTIAL DAMAGES.** Some states do not allow the exclusion or limitation of incidental or consequential damages, so this exclusion or limitation may not apply to you.

**This warranty gives you specific legal rights, and you may also have other rights which may vary from state to state.**

**Outside the United States, a different warranty may apply. For details, please contact your authorized Whirlpool dealer.**

If you need service, first see the "Troubleshooting Guide" section of this book. After checking the "Troubleshooting Guide," additional help can be found by checking the "Requesting Assistance or Service" section or by calling our Consumer Interaction Center, **1-800-253-1301** (toll-free), from anywhere in the U.S.A.



