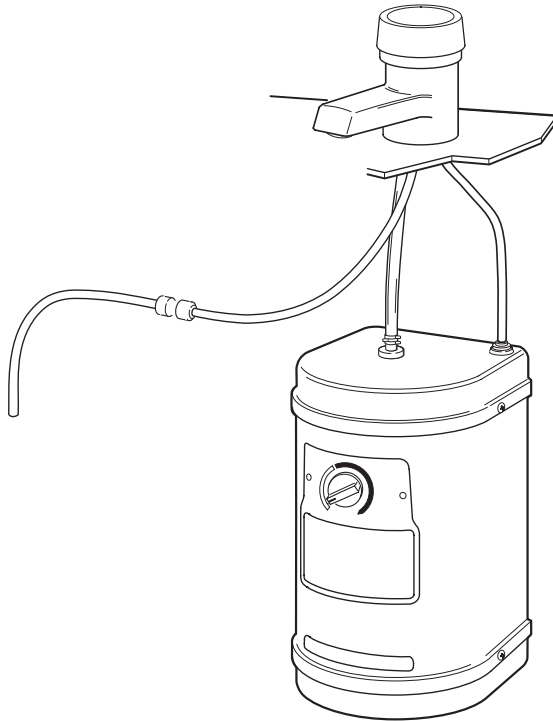

INSTALLATION INSTRUCTIONS AND USE AND CARE GUIDE HOT WATER DISPENSER



Record your model's information

Write down the following information about your hot water dispenser to better help you obtain assistance or service if you ever need it. You will need to know your complete model number and serial number. You can find this information on the model and serial number label/plate located on the lower front of the hot water tank.

If you need assistance or service, first see the "Troubleshooting guide" section of this book. After checking "Troubleshooting guide," additional help can be found by checking the "Requesting assistance or service" section.

Builder/dealer name _____

Address _____

Phone number _____

Model number _____

Serial number _____

Purchase date _____

Date installed _____

(See the "Product dimensions and cabinet requirements" section for model and serial number label/plate location.)

Keep this book and your sales slip together for future reference.

TABLE OF CONTENTS

HOT WATER DISPENSER SAFETY	2	HOT WATER DISPENSER USE	7
INSTALLATION REQUIREMENTS	2	HOT WATER DISPENSER CARE	7
Tools and Parts	2	Cleaning the Faucet Screen	7
Location Requirements	2	Before Calling for Service	8
Electrical Requirements	3	Troubleshooting Guide	8
Water Supply Requirements	3	REQUESTING ASSISTANCE OR SERVICE	9
INSTALLATION INSTRUCTIONS	4	WARRANTY	10
Installing the Faucet	4		
Installing the Tank	6		
Complete Installation	6		

HOT WATER DISPENSER SAFETY

Your safety and the safety of others are very important.

We have provided many important safety messages in this manual and on your appliance. Always read and obey all safety messages.



This is the safety alert symbol.

This symbol alerts you to potential hazards that can kill or hurt you and others.

All safety messages will follow the safety alert symbol and either the word “DANGER” or “WARNING.”

These words mean:

⚠ DANGER

You can be killed or seriously injured if you don't immediately follow instructions.

⚠ WARNING

You can be killed or seriously injured if you don't follow instructions.

All safety messages will tell you what the potential hazard is, tell you how to reduce the chance of injury, and tell you what can happen if the instructions are not followed.

WARNING: To reduce the risk of fire, electrical shock, or injury when using your hot water dispenser, follow these basic precautions:

- Plug into grounded 3 prong outlet.
- Do not remove ground prong.
- Do not use an adapter.
- Do not use an extension cord.
- Disconnect power before servicing.

IMPORTANT: Observe all governing codes and ordinances.

Check location where hot water dispenser will be installed. Make sure you have everything necessary for correct installation. It is the responsibility of the installer to comply with installation specifications and with state and local plumbing codes.

INSTALLATION REQUIREMENTS

Tools and Parts

Gather the required tools and parts before starting installation. Read and follow the safety instructions provided with any tools listed here.

Tools needed:

- pencil
- measuring tape or ruler
- pliers
- Phillips screwdriver
- tube cutter
- 1/4" or 7 mm open-end wrench
- adjustable wrench that opens to 1-1/2" (3.8 cm) minimum
- bucket or pan to catch water

Parts needed:

- screws or anchors for attaching mounting bracket to wall.
- 1/4" O.D. copper tubing
- saddle valve kit or other plumbing parts needed to connect 1/4" tubing from faucet easy-connect fitting to water supply line. If a saddle valve is used, do not use a piercing type or 3/16" saddle valve, which reduces water flow and clogs more easily.

Saddle valve kit or other plumbing parts used must meet all local codes and ordinances.

Parts supplied:

Remove parts from packages. Check that all parts were included.

- faucet assembly
- water tank
- tank mounting bracket
- hose clamp

Location Requirements

Faucet requires a 1-3/8" (3.5 cm) diameter opening in sink or countertop. Faucet can be installed in place of sink spray hose. If faucet is not to be installed in sink spray hose opening, it is recommended that a qualified installer be contacted to drill hole through your type of sink or countertop. Thickness of sink or countertop hole must not exceed 1-3/4" (4.4 cm).

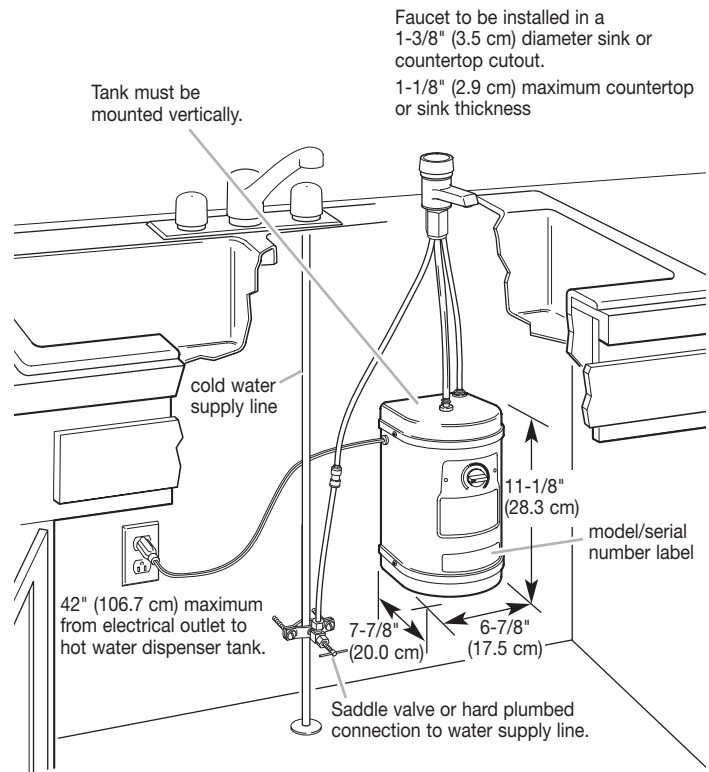
Cold water supply connection must be available. See "Water supply requirements" section.

Grounded electrical outlet is required. See "Electrical requirements" section. The outlet should be located within 42" (106.7 cm) of hot water dispenser tank.

Plumbing connections must comply with all sanitary and plumbing codes.

Water connections use easy-connect fittings which do not require sealing compounds to keep them from leaking.

Product dimensions and cabinet requirements



Electrical Requirements

⚠ WARNING



Electrical Shock Hazard

Plug into a grounded 3 prong outlet.

Do not remove ground prong.

Do not use an adapter.

Do not use an extension cord.

Failure to follow these instructions can result in death, fire, or electrical shock.

A 120-volt, 60 Hz, AC-only 15 or 20 amp fused, grounded electrical supply is required. It is recommended that a separate circuit serving only your hot water dispenser be provided. Use an outlet that cannot be turned on/off by a switch.

Recommended ground method

This appliance is equipped with a power supply cord having a 3 prong ground plug. To minimize possible shock hazard, the cord must be plugged into mating, 3 prong, ground-type outlet, grounded in accordance with all national and local codes and ordinances. If a mating outlet is not available, it is the personal responsibility and obligation of the customer to have a properly grounded, 3 prong outlet installed by a qualified electrician.

Water Supply Requirements

If local codes permit, the hot water dispenser feed line should be connected to the cold water supply line using a saddle valve or another means for providing a 1/4" tube to connect to the dispenser. If a saddle valve is used, do not use a piercing type or 3/16" saddle valve, which reduces water flow and clogs more easily.

IMPORTANT: If local codes do not permit the use of saddle valves, special feed valves can be obtained from your local plumbing supply distributor.

Connection to hot water line is not recommended. Energy will be wasted in heating the water twice and may produce an undesirable taste.

A water filter is recommended if your water supply contains sand, grit or other particles, or has a known taste or odor issue. If a water filter system is used, the water pressure to the hot water dispenser system from the filter needs to be a minimum of 20 psi (138 kPa) for proper operation. If the water pressure to the hot water dispenser system is less than 20 psi (138 kPa), a booster pump can be added.

IMPORTANT: If the water pressure to the hot water dispenser system is less than 20 psi (138 kPa), performance may be affected.

INSTALLATION INSTRUCTIONS

Please complete the "Record your model's information" section on the front cover before beginning installation.

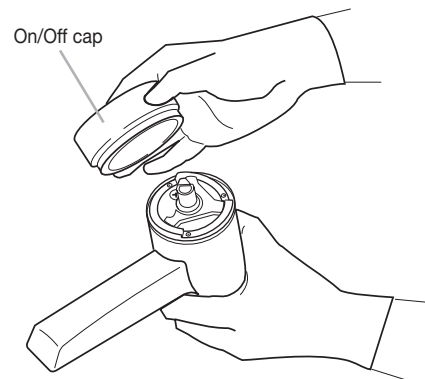
This hot water dispenser is not a water purifier. Some installations may require a water filtering system to improve the quality of water.

4. Remove masking tape and tag from spout assembly. Do not remove quick-connect fittings from spout tubing or tank tubing. Do not replace quick-connect fittings with brass fittings. Brass fittings can cause lead contamination.

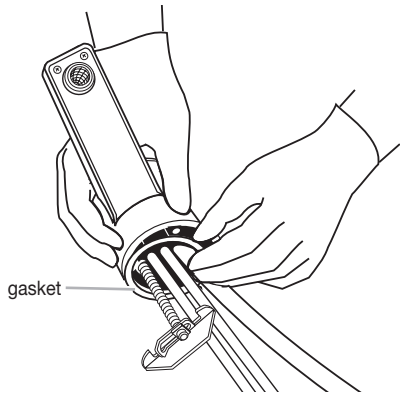
Carefully pull On/Off Cap off the spout assembly and set aside.

Installing the Faucet

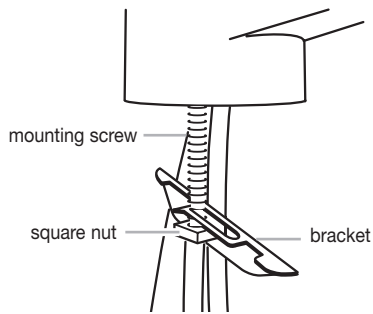
1. Determine where you will install your hot water dispenser. Check below sink to assure that reinforcing ribs, support brackets or cabinet construction will not interfere with faucet.
2. Knock out plug from hole in sink or cut a hole in sink or countertop.
NOTE: It is recommended that only a licensed plumber or professional installer cut an opening in the sink or countertop.
3. Carefully straighten tubing so that it will go through hole in sink or countertop.



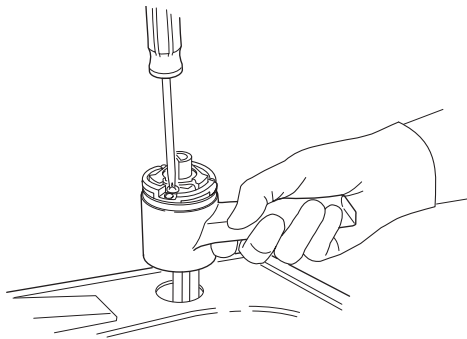
- Lay spout assembly on flat surface with coiled tubing facing up. Using one hand to hold tubing just below spout, carefully straighten tubing with other hand. Slide gasket over tubing so that lip side of gasket is seated into base of spout.



- Loosen square nut until it is flush with end of the mounting screw. Tip spout bracket against mounting screw. (Bracket will form a "y" when in the correct position.) Hold nut, bracket, gasket and tubing in position and insert into hole in sink or counter.



- Pull up on spout body to keep tension on spout mounting bracket and nut. Tighten screw inside the spout until spout is securely in position. Do not overtighten.



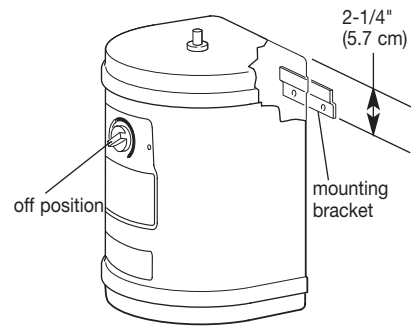
- Snap on On/Off Cap.

Installing the Tank

- Position tank vertically beneath faucet so that the longer copper tube from the faucet reaches the easy-connect fitting on top of the tank.
- Use a pencil to mark on the wall where the top of tank needs to be located. Set tank aside. Mark a second line 2-1/4" (5.7 cm) below the first line.
IMPORTANT: The tank must be positioned so that the copper tubing and flexible tubing from the faucet does not kink.
- Position mounting bracket on wall so that bottom of mounting bracket is even with the lower line.

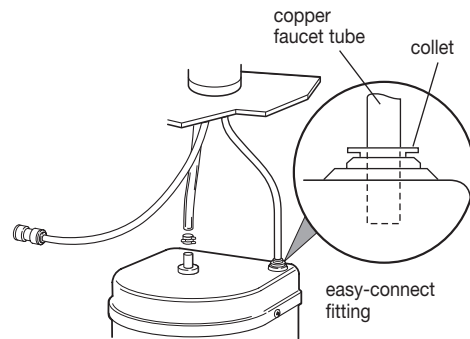
- Use two screws (and plastic anchors if attaching to dry wall) to fasten mounting bracket to wall. Hang tank on bracket.

IMPORTANT: Do not plug power supply cord into outlet at this time.

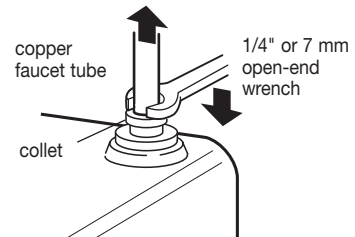


- IMPORTANT:** Do not lengthen, twist or tightly bend tubing. Do not use any sealing compounds.

Connect the longest 1/4" copper faucet tube to the rear easy-connect fitting on top of tank. Push tubing straight into fitting as far as it will go. Pull on tubing. The tubing should not come out when properly installed.

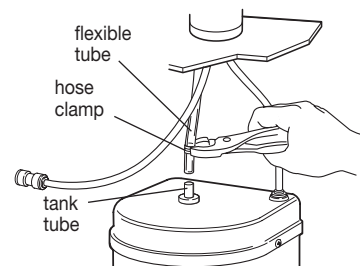


NOTE: If you need to remove tubing, push down on collet. Pull tubing out of easy-connect fitting. It is easier to push the collet down if a 1/4" or 7 mm open-end wrench is used as shown.

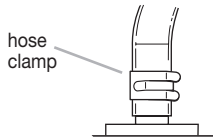


- Connect the flexible tube from the faucet to the center tank tube. Make sure the flexible tube does not kink. To avoid kinking, the tube may be shortened.

The center tank tube is not an easy-connect fitting. To connect the flexible tube, use pliers and open the supplied hose clamp. Slide the clamp onto the flexible tube about 2" (5 cm) from the tube end.



- Push the flexible tube down onto the tank tube as far as it will go. Position the hose clamp so that it is close to the end of flexible tube.



- Install saddle valve kit or other plumbing parts as needed to connect 1/4" (6.4 mm) tubing from faucet easy-connect fitting to cold water supply line.
- Flush line into bucket or pan to remove any debris that may have been trapped in supply line during plumbing connection.
- Check that water flows freely and that there are no leaks.
- Connect 1/4" water supply line tubing to faucet copper tubing with the factory-assembled easy-connect fitting. Push water supply line tubing straight into fitting as far as it will go. Pull on tubing. The tubing should not come out when properly installed.



NOTE: If you need to remove tubing, push down on collet and pull tubing out of easy-connect fitting.

IMPORTANT: For proper operation, do not remove the factory-assembled easy-connect fitting from tube.

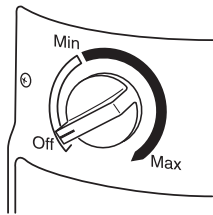
- Open water line to faucet.

Complete Installation

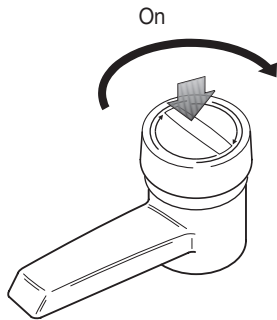
IMPORTANT: The hot water dispenser can be damaged if the following steps are not followed.

NOTE: Do not plug power supply cord into outlet.

- Turn Temperature Control counterclockwise to "Off" position.



- Push down and turn the faucet cap clockwise to open faucet. Hold cap open until water flows from the faucet (about 1 to 1-1/2 minutes).



- Release faucet cap. Check for leaks.

NOTE: Make sure the Temperature Control is in the "Off" position before plugging hot water dispenser into power supply. If tank is empty and thermostat is in an "On" position when the power supply cord is connected, the heater will overheat causing an unpleasant taste, black specks in the water, and permanent damage to the hot water dispenser.

⚠ WARNING



Electrical Shock Hazard

Plug into a grounded 3 prong outlet.

Do not remove ground prong.

Do not use an adapter.

Do not use an extension cord.

Failure to follow these instructions can result in death, fire, or electrical shock.

- Once water is flowing from faucet, the water heating tank has been filled with water. Plug power supply cord into grounded 3 prong outlet.
- Turn Temperature Control clockwise to highest position. Water in tank will reach maximum temperature in about 15 minutes.

NOTES:

- When water is heating, you may hear gurgling noises coming from the tank.
- There may also be a small amount of spitting or hot water flow from the faucet. This is normal for the initial heat-up of the dispenser.
- The Temperature Control controls tank heater, not water delivery. Rotate Temperature Control clockwise to make water hotter, counterclockwise to lower water temperature.
- Turn Temperature Control to lower temperature setting if you notice vapor or hear boiling noise.

HOT WATER DISPENSER USE

Before first use:

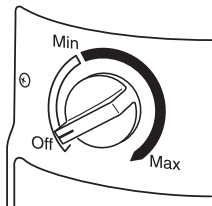
After the tank has been in operation for a minimum of 15 minutes, push and turn the faucet cap and allow water to flow for about 1 minute. Release the faucet cap and allow the water to reheat for about 15 minutes prior to use.

Check that all installation steps were completed.

Temperature control

The water temperature is thermostatically controlled. It can be adjusted from "Off" to about 190°F (88°C).

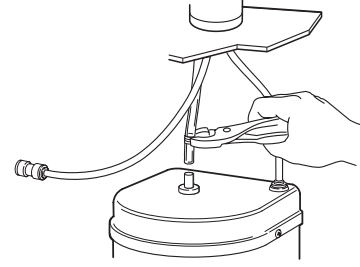
To raise or lower the temperature, turn the Temperature Control. The "Max" setting is recommended for best performance. However, under certain conditions, it is possible for the water to boil when the Temperature Control is set at "Max." If you see any vapor or hear boiling, turn Temperature Control to lower temperature as necessary.



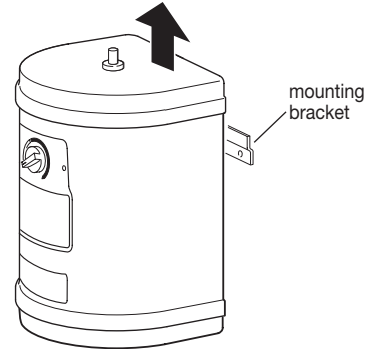
Dispensing hot water

Push down and turn the faucet cap clockwise and hold until desired amount of hot water is obtained. There is a small delay from the time the faucet cap is turned until hot water is dispensed. This delay is normal.

- Using pliers, open the hose clamp on the flexible tube and slide the clamp about 2" (5 cm) from the end of the tubing. Remove the flexible tube from the tank tube.



- Lift the hot water dispenser tank up and off the mounting bracket.



- Hold the hot water dispenser tank over a sink, turn the dispenser upside down and let all the water drain out of the tank tube.
- When the hot water dispenser tank is empty, reinstall the tank on the mounting bracket.
- Reconnect the copper faucet tube and the flexible tube (See "Installing the faucet" steps 5-7).

HOT WATER DISPENSER CARE

Energy-saving tips and preparation for periods of nonuse.

On average, you will use your hot water dispenser to heat 7 to 8 cups (1.7 to 1.9 liters) of water per day. This uses only 19 kilowatt-hours of energy per month. So it is not necessary to turn off the hot water dispenser each night to conserve energy.

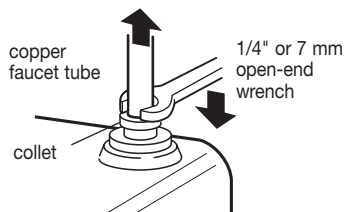
However, if the hot water dispenser will not be used for an extended period of time, follow these instructions:

For short periods (2-30 days of nonuse).

Set the Temperature Control to the "Off" position to conserve energy.

For long periods of nonuse (winterizing, seasonal storage or protection from freezing):

- Turn Temperature Control to the "Off" position.
- Unplug hot water dispenser power supply cord.
- Turn faucet cap, hold and run water until water is cold.
- Turn supply valve off.
- Remove the copper faucet tube by pressing the collet down and pulling the copper faucet tube up. It is easier to push the collet down if a 1/4" or 7 mm open-end wrench is used as shown.

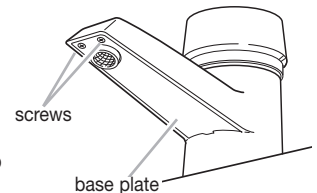


When ready to use the dispenser again, follow "Complete Installation" steps 1-5. Do not turn unit on if tank is empty. Damage to the unit will result and is not covered by the warranty.

Cleaning the Faucet Screen

If you have very hard water, and you notice that the water flow is reduced, it may be necessary to clean the spout screen.

- Turn Temperature Control to the "Off" position. Push down and turn On/Off Cap clockwise and run water until it is cold to avoid possibility of burn.
- Remove the two spout screws.
- Remove spout base plate.
- Pull the screen assembly out of the hot water tube.
- Use a small brush and vinegar to remove hard-water deposit.



- If deposit has hardened, soak in vinegar for an hour or two. Then use a brush to clean.
- Replace screen assembly in tube. Reattach plate back onto spout.
- Turn Temperature Control to the "Max" setting. The dispenser will be ready in about 15 minutes.

Before Calling for Service

If hot water dispenser does not operate, check these points first:

- Has circuit breaker tripped or house fuse blown?
- Is power supply cord plugged into a grounded 3 prong outlet?
- Is the Temperature Control set to the “Off” position?
- Has the water supply been turned off?
- Is the electrical outlet controlled by a switch?

Troubleshooting Guide

If you need more help, check the chart below. This could save you the cost of a service call for a problem that is not covered by the warranty.

PROBLEM	CHECK THE FOLLOWING
Water is not hot.	<ul style="list-style-type: none">■ Check that the circuit breaker is not tripped or the house fuse blown.■ Check that power supply cord is plugged into a grounded 3 prong outlet.■ Check if the electrical outlet is operated by a switch. The switch may have turned power off.■ Cold water in tank is still being heated. Wait 15 minutes and check temperature again.■ Check that the Temperature Control is set to the “Max” setting.
Vapor appears, dispenser makes boiling water noises, or water is too hot.	<ul style="list-style-type: none">■ Adjust Temperature Control to a lower setting that eliminates the vapor or noise. If you live at a high altitude, you may need to lower the thermostat setting to keep water from boiling.
Hot water drips or sputters from faucet.	<ul style="list-style-type: none">■ Check that tubing is not bent or kinked.■ Adjust Temperature Control to a lower setting that eliminates the drips or sputters.■ Check that faucet screen is not clogged. See “Hot water dispenser care.”■ Check for proper installation of copper tubing from faucet to storage tank and from faucet to cold water line. See “Installation instructions.”
Water does not flow from faucet.	<ul style="list-style-type: none">■ Check that water supply valve is open.■ Check that faucet screen is not clogged. See “Hot water dispenser care.”■ Check for hoses with kinks.■ If a water filter is used, check that water pressure to hot water dispenser is 20 psi (138 kPa) minimum.
Water has an unpleasant taste.	<ul style="list-style-type: none">■ Hot water dispenser is attached to hot water line. Attach to cold water line.■ Install a water filtration system on cold water line to dispenser.■ If the dispenser has not been used for 3 or more days or if only 1 to 3 cups of water are dispensed in a day, the tank may need to be purged. Hold the cap open for 2 to 3 minutes to purge the old water from the tank. Allow new water in tank to reach maximum temperature (approximately 15 minutes) before dispensing water.
Water flows very slowly from faucet, less than 1/2 gallon (1.9 liter) per minute.	<ul style="list-style-type: none">■ If a water filtration system is used, check that the water pressure from the filter system to the hot water dispenser is 20 psi (138 kPa).

REQUESTING ASSISTANCE OR SERVICE

To avoid unnecessary service calls, please check the “Troubleshooting guide” section. It may save you the cost of a service call. If you still need help, follow the instructions below. You will need the information you recorded in the “Record your model’s information” section.

If you need replacement parts

If you need to order replacement parts, we recommend that you only use FSP® factory specified parts. These parts will fit right and work right because they are made with the same precision used to build every new WHIRLPOOL® appliance. To locate factory specified replacement parts in your area, call our Customer Interaction Center (in the U.S.A.) or your nearest designated service center.

If you need assistance or service in U.S.A.

Call the Whirlpool Customer Interaction Center toll-free at 1-800-422-1230.

Our consultants provide assistance with:

- Features and specifications on our full line of appliances.
- Installation information.
- Use and maintenance procedures.
- Accessory and repair parts sales.
- Specialized customer assistance (Spanish speaking, hearing impaired, limited vision, etc.).
- Referrals to local dealers, repair parts distributors and service companies. Whirlpool designated service technicians are trained to fulfill the product warranty and provide after-warranty service, anywhere in the United States.

To locate the designated Whirlpool service company in your area, you can also look in your telephone directory Yellow Pages.

For further assistance

If you need further assistance, you can write to Whirlpool Corporation with any questions or concerns at:

Whirlpool Corporation
Customer Interaction Center
553 Benson Road
Benton Harbor, MI 49022-2692

Please include a daytime phone number in your correspondence.

If you need assistance or service in Canada

Call the Whirlpool Canada Inc. Customer Interaction Center toll free: **1-800-461-5681** Monday to Friday 8:00 a.m. - 6:00 p.m. (EST). Saturday 8:30 a.m. - 4:30 p.m. (EST).

Our consultants provide assistance with:

- Features and specifications on our full line of appliances.
- Referrals to local dealers.

For service in Canada

Call **1-800-807-6777**. Whirlpool Canada Inc. designated service technicians are trained to fulfill the product warranty and provide after-warranty service, anywhere in Canada.

For further assistance

If you need further assistance, you can write to Whirlpool Canada Inc. with any questions or concerns at:

Consumer Interaction Center
Whirlpool Canada Inc.
1901 Minnesota Court
Mississauga, Ontario L5N 3A7

Please include a daytime phone number in your correspondence.

WHIRLPOOL CORPORATION MAJOR APPLIANCE WARRANTY

ONE YEAR LIMITED WARRANTY

For one year from the date of purchase, when this major appliance is operated and maintained according to instructions attached to or furnished with the product, Whirlpool Corporation or Whirlpool Canada LP (hereafter Whirlpool ") will pay for FSP® replacement parts and repair labor to correct defects in materials or workmanship. Service must be provided by a Whirlpool designated service company.

ITEMS WHIRLPOOL WILL NOT PAY FOR

1. Service calls to correct the installation of your major appliance, to instruct you how to use your major appliance, to replace or repair house fuses or to correct house wiring or plumbing.
 2. Service calls to repair or replace appliance light bulbs, air filters or water filters. Those consumable parts are excluded from warranty coverage.
 3. Repairs when your major appliance is used for other than normal, single-family household use.
 4. Damage resulting from accident, alteration, misuse, abuse, fire, flood, acts of God, improper installation, installation not in accordance with electrical or plumbing codes, or use of products not approved by Whirlpool.
 5. Any food loss due to refrigerator or freezer product failures.
 6. Replacement parts or repair labor costs for units operated outside the United States or Canada.
 7. Pickup and delivery. This major appliance is designed to be repaired in the home.
 8. Repairs to parts or systems resulting from unauthorized modifications made to the appliance.
 9. Expenses for travel and transportation for product service in remote locations.
 10. The removal and reinstallation of your appliance if it is installed in an inaccessible location or is not installed in accordance with published installation instructions.
-

DISCLAIMER OF IMPLIED WARRANTIES; LIMITATION OF REMEDIES

CUSTOMER'S SOLE AND EXCLUSIVE REMEDY UNDER THIS LIMITED WARRANTY SHALL BE PRODUCT REPAIR AS PROVIDED HEREIN. IMPLIED WARRANTIES, INCLUDING WARRANTIES OF MERCHANTABILITY OR FITNESS FOR A PARTICULAR PURPOSE, ARE LIMITED TO ONE YEAR OR THE SHORTEST PERIOD ALLOWED BY LAW. WHIRLPOOL SHALL NOT BE LIABLE FOR INCIDENTAL OR CONSEQUENTIAL DAMAGES. SOME STATES AND PROVINCES DO NOT ALLOW THE EXCLUSION OR LIMITATION OF INCIDENTAL OR CONSEQUENTIAL DAMAGES, OR LIMITATIONS ON THE DURATION OF IMPLIED WARRANTIES OF MERCHANTABILITY OR FITNESS, SO THESE EXCLUSIONS OR LIMITATIONS MAY NOT APPLY TO YOU. THIS WARRANTY GIVES YOU SPECIFIC LEGAL RIGHTS AND YOU MAY ALSO HAVE OTHER RIGHTS, WHICH VARY FROM STATE TO STATE OR PROVINCE TO PROVINCE.

Outside the 50 United States and Canada, this warranty does not apply. Contact your authorized Whirlpool dealer to determine if another warranty applies.

If you need service, first see the "Troubleshooting" section of the Use & Care Guide. After checking "Troubleshooting," additional help can be found by checking the "Assistance or Service" section or by calling Whirlpool. In the U.S.A., call **1-800-253-1301**. In Canada, call **1-800-807-6777**.

8/05

Notes

8578393

© 2005 Whirlpool Corporation

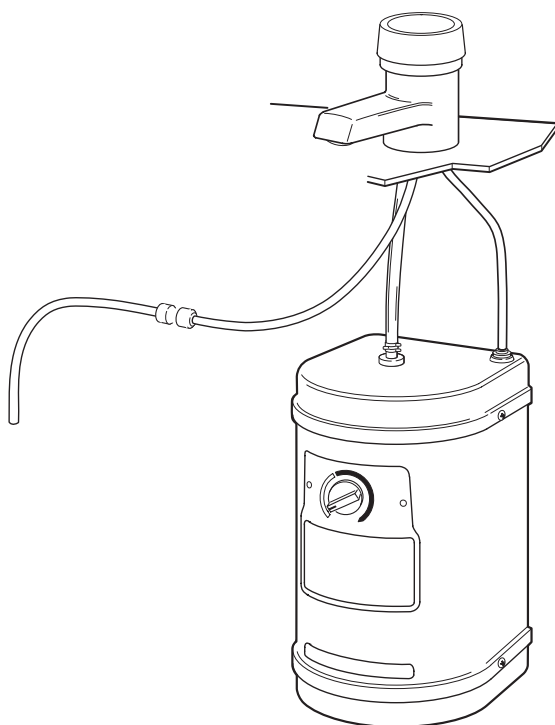
All rights reserved.

® Registered Trademark/TM Trademark of Whirlpool, U.S.A., Whirlpool Canada Inc. Licensee in Canada

Printed in U.S.A.

09/2005

INSTRUCTIONS D'INSTALLATION ET GUIDE D'UTILISATION ET D'ENTRETIEN DISTRIBUTEUR D'EAU CHAUDE



Enregistrement des renseignements concernant votre modèle

Inscrivez les renseignements suivants à propos de votre distributeur d'eau chaude; cela vous aidera à obtenir assistance ou service en cas de besoin. Il vous faudra connaître les numéros de modèle et de série complets. Ces informations figurent sur la plaque signalétique située à l'avant de la partie inférieure du réservoir d'eau chaude.

Si vous avez besoin d'assistance ou de service, consultez d'abord la section "Dépannage" de ce guide. On peut trouver de l'aide additionnelle à la section "Demande d'assistance ou de service".

Nom du fabricant/revendeur _____

Adresse _____

Numéro de téléphone _____

Numéro de modèle _____

Numéro de série _____

Date d'achat _____

Date d'installation _____

(Voir la section "Dimensions du produit et spécifications du placard" pour l'emplacement de la plaque signalétique portant des numéros de modèle et de série.)

Conserver ce manuel et le reçu de vente ensemble pour consultation ultérieure.

TABLE DES MATIÈRES

SÉCURITÉ DU DISTRIBUTEUR D'EAU CHAUDE	2	UTILISATION DU DISTRIBUTEUR D'EAU CHAUDE	7
EXIGENCES D'INSTALLATION	3	ENTRETIEN DU DISTRIBUTEUR D'EAU CHAUDE	7
Outillage et pièces	3	Nettoyage du tamis de filtration du robinet	8
Emplacement d'installation	3	Avant de demander l'intervention d'un technicien	8
Spécifications électriques	4	Guide de dépannage	9
Spécifications de l'alimentation en eau	4	DEMANDE D'ASSISTANCE OU DE SERVICE	10
INSTRUCTIONS D'INSTALLATION	4	GARANTIE	11
Installation du robinet de puisage	4		
Installation du chauffe-eau	5		
Achever l'installation	6		

SÉCURITÉ DU DISTRIBUTEUR D'EAU CHAUDE

Votre sécurité et celle des autres est très importante.

Nous donnons de nombreux messages de sécurité importants dans ce manuel et sur votre appareil ménager. Assurez-vous de toujours lire tous les messages de sécurité et de vous y conformer.



Voici le symbole d'alerte de sécurité.

Ce symbole d'alerte de sécurité vous signale les dangers potentiels de décès et de blessures graves à vous et à d'autres.

Tous les messages de sécurité suivront le symbole d'alerte de sécurité et le mot "DANGER" ou "AVERTISSEMENT". Ces mots signifient :

⚠ DANGER

Risque possible de décès ou de blessure grave si vous ne suivez pas immédiatement les instructions.

⚠ AVERTISSEMENT

Risque possible de décès ou de blessure grave si vous ne suivez pas les instructions.

Tous les messages de sécurité vous diront quel est le danger potentiel et vous disent comment réduire le risque de blessure et ce qui peut se produire en cas de non-respect des instructions.

AVERTISSEMENT : Pour réduire le risque d'incendie, choc électrique ou blessure lors de l'utilisation du distributeur d'eau chaude, observer les précautions élémentaires suivantes.

- Brancher l'appareil sur une prise de courant à 3 alvéoles reliée à la terre.
- Ne pas arracher la broche de liaison à la terre.
- Ne pas utiliser un adaptateur
- Ne pas utiliser un câble de rallonge
- Interrompre l'alimentation électrique avant toute intervention d'entretien.

IMPORTANT : Respecter les dispositions de tous les codes et règlements en vigueur.

Inspecter l'emplacement d'installation du distributeur d'eau chaude instantané. Veiller à disposer de tout le matériel nécessaire pour une installation correcte. C'est à l'installateur qu'incombe la responsabilité de respecter les spécifications d'installation et les dispositions de tous les codes nationaux ou locaux régissant les installations de plomberie.

EXIGENCES D'INSTALLATION

Outillage et pièces

Rassembler les outils et pièces nécessaires avant de commencer l'installation. Lire et suivre les instructions fournies avec les outils indiqués ici.

Outillage nécessaire :

- crayon
- mètre-ruban ou règle
- pince
- tournevis Phillips
- coupe-tube
- clé plate de 1/4" ou 7 mm
- clé à molette s'ouvrant jusqu'à 1-1/2" (3,8 cm) minimum
- seau ou plat pour la récupération de l'eau

Pièces et composants nécessaires :

- vis ou chevilles d'ancrage pour la fixation de la poignée de montage sur le mur.
- tube de cuivre - diamètre externe 1/4"
- Robinet d'arrêt avec bride "prise en charge" ou autre pièce de plomberie nécessaire pour le raccordement d'un tube de cuivre diamètre externe 1/4" entre le raccord du robinet et la canalisation d'arrivée d'eau. Si un robinet d'arrêt monté par une bride "prise en charge" est utilisé, ne pas utiliser un robinet à aiguille ou un robinet à bride "prise en charge" de 3/16", qui réduirait le débit d'eau et pourrait s'encrasser facilement.

Tout composant de plomberie utilisé doit satisfaire les prescriptions des codes et règlements locaux.

Pièces fournies :

Retirer les pièces de leur emballage. Vérifier la présence de toutes les pièces.

- robinet
- chauffe-eau
- bride de montage du chauffe-eau
- bride de tuyau

Emplacement d'installation

L'installation du robinet de puisage nécessite la présence d'un trou de 1-3/8" (3,5 cm) dans le rebord de l'évier ou sur le plan de travail. Il est possible d'installer le robinet à la place d'une douchette d'évier. Si le robinet ne sera pas installé sur le trou existant prévu pour une douchette d'évier, on recommande qu'un installateur qualifié perce le trou nécessaire dans l'évier ou le plan de travail. L'épaisseur de l'évier ou du plan de travail ne doit pas dépasser 1 3/4" (4,4 cm).

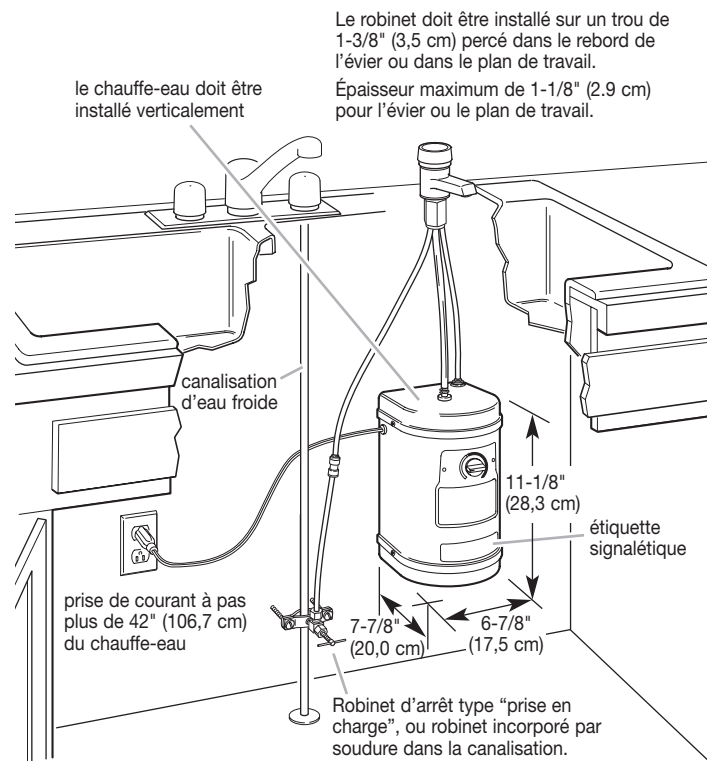
Une source d'eau froide doit être disponible. Voir la section "Spécifications de l'alimentation en eau".

Une prise de courant électrique reliée à la terre est nécessaire. Voir la section "Spécifications électriques". La prise de courant doit être installée à moins de 42" (106,7 cm) du chauffe-eau.

Tout raccordement au circuit de plomberie doit satisfaire aux prescriptions de tous les codes régissant les installations sanitaires et de plomberie.

Le dispositif de raccordement à la canalisation d'eau met en oeuvre des raccords à connexion instantanée qui ne nécessitent pas l'utilisation d'un composé d'étanchéité pour la prévention des fuites.

Dimensions du produit et dimensions du placard



Spécifications électriques

⚠️ AVERTISSEMENT



Risque de choc électrique

Brancher sur une prise à 3 alvéoles reliée à la terre.

Ne pas enlever la broche de liaison à la terre.

Ne pas utiliser un adaptateur.

Ne pas utiliser un câble de rallonge.

Le non-respect de ces instructions peut causer un décès, un incendie ou un choc électrique.

On doit disposer d'un circuit 120 volts (CA seulement, 60 Hz), protégé par fusible 15 ou 20 A, avec liaison à la terre. On recommande que l'appareil soit alimenté par un circuit indépendant. Utiliser une prise de courant dont l'alimentation ne peut être interrompue par un commutateur.

Méthode recommandée de mise à la terre

Cet appareil est doté d'un cordon d'alimentation muni d'une fiche de branchement à trois broches. Pour minimiser les risques potentiels de choc électrique, on doit brancher le cordon d'alimentation sur une prise de courant de même configuration, à 3 alvéoles, reliée à la terre conformément aux prescriptions de des codes régional et national. Si une prise de courant de configuration appropriée n'est pas disponible, c'est à l'acquéreur du produit qu'incombe la responsabilité de faire installer par un électricien qualifié une prise de courant à 3 alvéoles convenablement reliée à la terre.

Spécifications de l'alimentation en eau

Si le code local le permet, la canalisation d'alimentation en eau du distributeur d'eau chaude devrait être connectée sur la canalisation d'eau par l'intermédiaire d'un robinet d'arrêt de type "prise en charge" ou d'un dispositif permettant le raccordement du distributeur par l'intermédiaire d'un tube de 1/4". Si un robinet d'arrêt monté par une bride "prise en charge" est utilisé, ne pas utiliser un robinet à aiguille ou un robinet à bride "prise en charge" de 3/16", qui réduirait le débit d'eau et pourrait s'encrasser facilement.

IMPORTANT : Si le code local ne permet pas l'emploi d'un robinet d'arrêt de type "prise en charge", on peut acquérir un robinet d'arrêt spécial chez un fournisseur local d'accessoires de plomberie.

On ne recommande pas de raccorder le distributeur d'eau chaude à une canalisation d'eau chaude. La succession de deux opérations de chauffage susciterait un gaspillage d'énergie, et ceci pourrait produire un goût indésirable.

L'emploi d'un filtre à eau est recommandé si la source d'eau contient des matières étrangères (sable, particules etc.) ou des polluants générateurs de goût ou odeur. Si un dispositif de filtration est utilisé, la pression de l'eau à la sortie du filtre et à l'entrée du distributeur d'eau chaude devra être de 20 lb/po² (138 kPa) ou plus pour que le distributeur d'eau chaude puisse fonctionner correctement. Si la pression de l'eau à l'entrée du distributeur d'eau chaude est inférieure à 20 lb/po² (138 kPa), il est possible d'ajouter une pompe de surpression.

IMPORTANT : Si la pression de l'eau à l'entrée du distributeur d'eau chaude est inférieure à 20 lb/po² (138 kPa), ceci peut réduire la performance du distributeur d'eau chaude.

INSTRUCTIONS D'INSTALLATION

Avant d'entreprendre l'installation, inscrire les données appropriées à la section Information sur l'appareil, sur la couverture de cette brochure.

Le distributeur d'eau chaude n'est pas un appareil de purification de l'eau. Dans certaines installations, il peut être nécessaire d'installer un système de filtration de l'eau pour améliorer la qualité de l'eau.

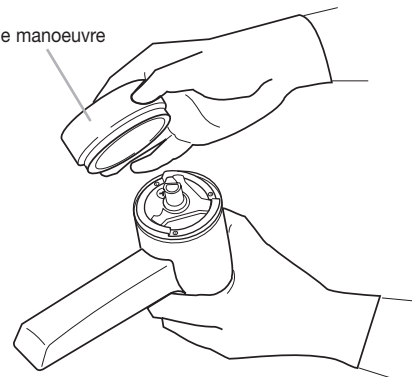
4. Enlever le ruban adhésif et l'étiquette du robinet de puisage. Ne pas enlever les raccords rapides du tube d'alimentation du robinet ou du réservoir. Ne pas remplacer les raccords rapides par des raccords en laiton. Les raccords en laiton peuvent causer une contamination au plomb.

Enlever prudemment le bouton de manoeuvre du robinet et conserver celui-ci en lieu sûr.

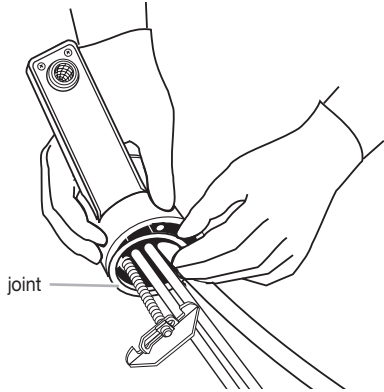
Installation du robinet de puisage

1. Choisir l'emplacement d'installation du robinet de puisage d'eau chaude. Inspecter sous l'évier pour vérifier l'absence de nervure de renforcement, bride de support ou autre élément de construction du placard qui pourrait entraver l'installation du robinet.
2. Ôter l'opercule d'obturation du trou existant dans l'évier, ou percer un trou approprié dans l'évier ou le plan de travail.
NOTE : On recommande que le perçage du trou dans l'évier ou le plan de travail ne soit exécuté que par un plombier ou un installateur professionnel.
3. Redresser prudemment les tubes du robinet pour qu'ils puissent passer à travers le trou percé dans l'évier ou le plan de travail.

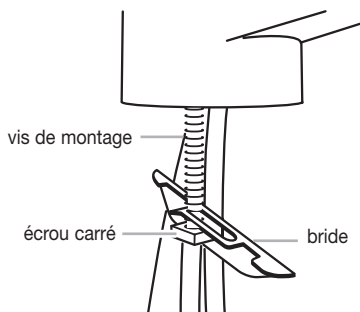
Bouton de manoeuvre



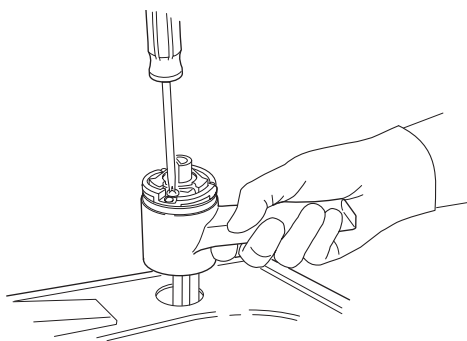
- Poser le robinet sur une surface plane, le tube spiralé étant orienté vers le haut. Avec une main, tenir le tube juste au-dessous du robinet; avec l'autre main, redresser prudemment le tube. Enfiler le joint par-dessus les tubes et placer la face du joint comportant une lèvre en contact avec la base du robinet.



- Desserrer l'écrou carré et placer celui-ci en affleurement avec l'extrémité de la vis de montage. Incliner la bride du robinet pour la placer en contact avec la vis de montage. (La bride forme un "y" lorsque la position est correcte.) Maintenir ensemble l'écrou, la bride, le joint et le tube, et insérer l'ensemble dans le trou percé dans l'évier ou le comptoir.)



- Tirer sur le corps du robinet de puisage pour maintenir la tension sur la bride de montage et l'écrou. Serrer la vis à l'intérieur du corps du robinet pour immobiliser le robinet à la position correcte. Ne pas serrer excessivement.



- Emboîter le bouton de manoeuvre.

Installation du chauffe-eau

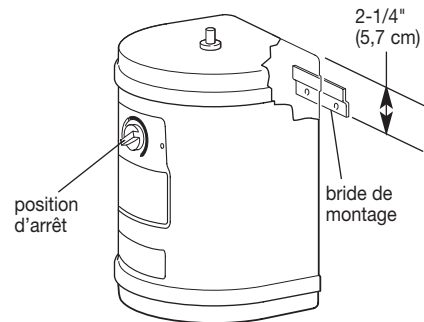
- Positionner le chauffe-eau verticalement sous le robinet de telle manière que le tube flexible en cuivre le plus long du robinet puisse atteindre le raccord à connexion rapide sur le sommet du chauffe-eau.

- Avec un crayon, marquer sur le mur l'endroit où il faudra placer le sommet du chauffe-eau. Mettre le chauffe-eau à part. Tracer une seconde ligne à 2-1/4" (5,7 cm) au-dessous de la première ligne.

IMPORTANT : On doit positionner le chauffe-eau de telle manière que le tube de cuivre et le tube flexible du robinet ne soient pas déformés/écrasés.

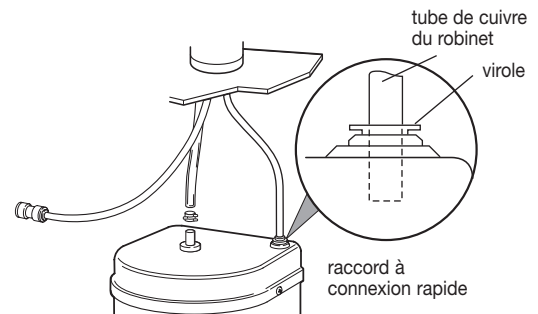
- Positionner la bride de montage sur le mur de telle manière que le bas de la bride de montage soit aligné avec la ligne inférieure tracée sur le mur.
- Fixer la bride de montage sur le mur. (Utiliser 2 vis, et éventuellement des chevilles de plastique sur un panneau gypse). Accrocher le chauffe-eau sur la bride.

IMPORTANT : Ne pas déjà brancher le cordon d'alimentation sur la prise électrique.

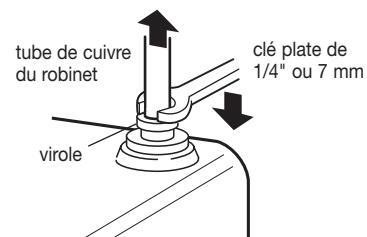


- IMPORTANT :** Veiller à ne pas étirer ou torsader le tube, et à ne pas le plier brutalement. N'utiliser aucun composé d'étanchéité.

Raccorder le tube de cuivre le plus long du robinet (tube de 1/4") au raccord arrière au sommet du chauffe-eau. Enfoncer le tube dans le raccord aussi loin qu'il peut aller. Tirer sur le tube. Lorsque le tube a été correctement installé, il ne ressortira pas du raccord.

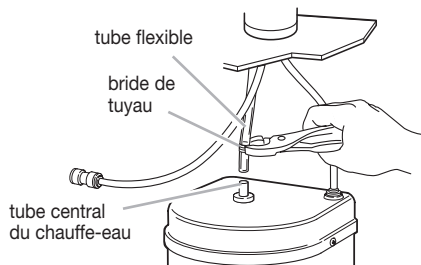


NOTE : S'il est nécessaire de retirer le tube, appuyer sur la virole. Extraire le tube du raccord à connexion rapide. Pour appuyer sur la virole, il est plus facile d'utiliser une clé plate de 1/4" ou 7 mm, comme on le voit sur l'illustration.

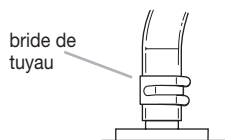


6. Raccorder le tube flexible du robinet au tube central du chauffe-eau. Veiller à ne pas déformer/écraser le tube flexible. On peut réduire la longueur du tube flexible pour ne pas risquer de l'écraser.

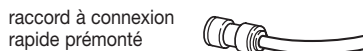
Le tube central du chauffe-eau ne comporte pas de raccord à connexion rapide. Pour le raccordement du tube flexible, utiliser une pince et ouvrir la bride de tuyau fournie. Enfiler la bride sur le tube flexible pour la placer à environ 2" (5 cm) de l'extrémité du tube.



7. Enfoncer le tube flexible sur le tube du chauffe-eau, aussi loin qu'il peut aller. Positionner la bride de tuyau au niveau du tube du chauffe-eau, près de l'extrémité du tube flexible.



8. Installer le robinet d'arrêt "prise en charge" ou autre robinet d'arrêt nécessaire pour le raccordement à la canalisation d'eau froide du tube de 1/4" du raccord à connexion rapide du robinet de puisage.
9. Faire couler de l'eau dans un seau ou un plat pour qu'elle entraîne tous les débris qui ont pu être piégés dans la canalisation d'alimentation durant l'opération de raccordement.
10. Vérifier que l'eau peut circuler librement et qu'il n'y a pas de fuite.
11. Connecter le tube d'alimentation de 1/4" au tube de cuivre du robinet, avec le raccord à connexion rapide prémonté. Enfoncer le tube d'alimentation dans le raccord aussi loin qu'il peut aller. Tirer sur le tube. Lorsque le tube a été correctement installé, il ne ressortira pas du raccord.



NOTE : S'il est nécessaire de retirer le tube, appuyer sur la virole et extraire le tube du raccord à connexion rapide.

IMPORTANT : Pour garantir un bon fonctionnement, ne pas enlever du tube le raccord à connexion rapide installé à l'usine.

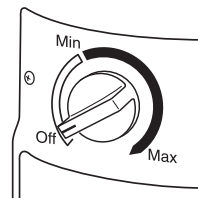
12. Ouvrir l'arrivée d'eau pour l'alimentation du robinet.

Achever l'installation

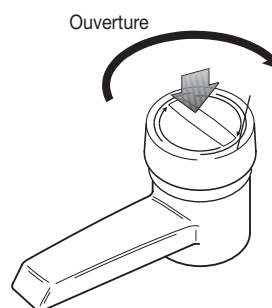
IMPORTANT : Si le processus d'installation décrit n'est pas respecté, le chauffe-eau peut subir des dommages.

NOTE : Ne pas déjà brancher le cordon d'alimentation sur la prise de courant.

1. Placer le bouton du sélecteur de température à la position d'arrêt Off.



2. Appuyer sur le bouton de manœuvre du robinet et faire tourner le bouton dans le sens horaire pour ouvrir le robinet. Maintenir le robinet ouvert jusqu'à ce que de l'eau s'écoule. Compter environ 60 à 90 secondes.



3. Lâcher le bouton de manoeuvre du robinet. Inspecter pour identifier toute fuite.

NOTE : Avant de brancher le distributeur d'eau chaude sur la prise de courant, vérifier que le bouton du sélecteur de température est à la position d'arrêt Off. Si lorsqu'on branche le chauffe-eau sur la prise de courant le chauffe-eau est vide, tandis que le thermostat présente une demande de chauffage, l'élément chauffant subira un échauffement excessif qui pourrait faire subir des dommages irréversibles au distributeur d'eau chaude; ceci peut également susciter l'apparition d'un goût indésirable et l'apparition de tâches dans l'eau.

⚠ AVERTISSEMENT



Risque de choc électrique

Brancher sur une prise à 3 alvéoles reliée à la terre.

Ne pas enlever la broche de liaison à la terre.

Ne pas utiliser un adaptateur.

Ne pas utiliser un câble de rallonge.

Le non-respect de ces instructions peut causer un décès, un incendie ou un choc électrique.

4. Lorsque de l'eau s'écoule du robinet, le chauffe-eau est rempli d'eau. Brancher le cordon d'alimentation sur une prise de courant à trois alvéoles reliée à la terre.

5. Placer le bouton du sélecteur de température à la position de chauffage maximum.

L'eau présente dans le chauffe-eau atteindra sa température maximum en 15 mn environ.

NOTES :

- Durant le chauffage de l'eau, on peut percevoir des bruits de gargouillement provenant du chauffe-eau.
- On pourra également observer la sortie de petites quantités d'eau chaude par le robinet. Ceci est normal lors du chauffage initial du distributeur d'eau chaude.
- Le bouton du sélecteur de température contrôle l'élément chauffant et non pas le débit d'eau. Faire tourner le bouton de réglage dans le sens horaire pour augmenter la température, ou dans le sens anti-horaire pour réduire la température de l'eau.
- Réduire la température de réglage si l'on constate l'émission de vapeur ou un bruit d'ébullition.

UTILISATION DU DISTRIBUTEUR D'EAU CHAUDE

Avant la première utilisation :

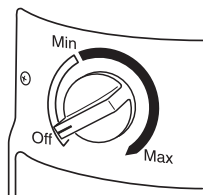
Après que le chauffe-eau a été sous tension pendant 15 mn ou plus, ouvrir le robinet (enfoncer et faire tourner le bouton de manœuvre du robinet) et laisser l'eau s'écouler pendant environ 1 mn. Refermer le robinet et laisser l'eau du chauffe-eau se réchauffer pendant 15 mn avant de puiser de l'eau chaude.

Vérifier que toutes les étapes de l'installation ont été exécutées.

Réglage de la température

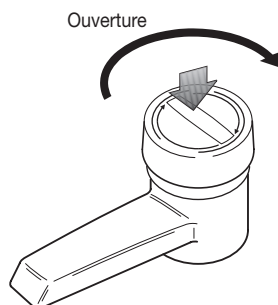
La température de chauffage de l'eau est déterminée par un thermostat. On peut sélectionner toute température entre la position "Off/Pas de chauffage" et environ 88°C (190°F).

La rotation du bouton de thermostat permet à l'utilisateur d'augmenter ou réduire la température de chauffage de l'eau. On recommande la position de chauffage maximum pour la production de la meilleure performance. Cependant dans certaines conditions il est possible de provoquer l'ébullition de l'eau dans le chauffe-eau si on sélectionne la position "Max". Si on constate l'émission de vapeur ou d'un son d'ébullition, tourner le bouton de thermostat pour réduire la température au besoin.



Puisage d'eau chaude

Ouvrir le robinet (enfoncer et faire tourner le bouton de manœuvre dans le sens horaire) pour puiser la quantité d'eau désirée. On peut constater un léger délai entre l'ouverture du robinet et la sortie d'eau chaude; ceci est normal.



ENTRETIEN DU DISTRIBUTEUR D'EAU CHAUDE

Conseils pour l'économie d'énergie et préparation pour une période d'inutilisation.

En moyenne, on utilise le distributeur d'eau chaude pour chauffer 7 à 8 tasses d'eau par jour. Ceci suscite la consommation de 19 Kilowattheures d'énergie par mois; il n'est donc pas nécessaire d'arrêter le distributeur d'eau chaude chaque soir pour minimiser la consommation d'énergie.

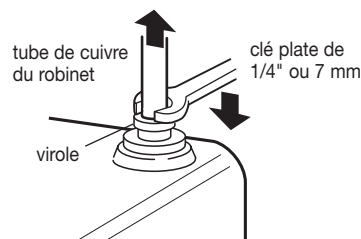
Cependant, si le distributeur d'eau chaude ne sera pas utilisé pendant une période prolongée, on devra effectuer le processus de préparation suivant :

Pour une brève période d'inutilisation (2 à 30 jours)

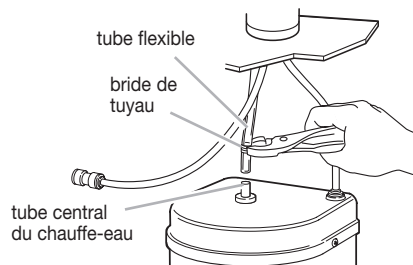
Placer le bouton du sélecteur de température à la position d'arrêt "Off" pour interrompre la consommation d'énergie.

Pour une longue période d'inutilisation (hivernage, remisage saisonnier et protection contre le gel) :

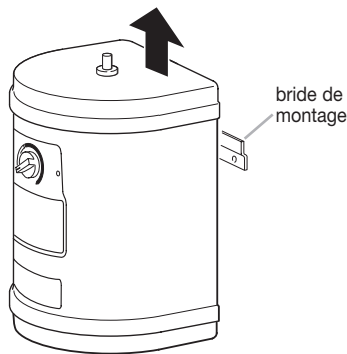
1. Placer le bouton du sélecteur de température à la position d'arrêt "Off".
2. Débrancher le cordon d'alimentation du distributeur d'eau chaude de la prise de courant.
3. Ouvrir le robinet de puisage et laisser couler de l'eau jusqu'à la sortie d'eau froide.
4. Fermer le robinet d'arrêt qui alimente le chauffe-eau.
5. Ôter le tube de cuivre du robinet en enfonçant la virole vers le bas et en tirant sur le tube de cuivre du robinet vers le haut. Il est plus facile d'enfoncer la virole vers le bas en utilisant une clé plate de 1/4" ou 7 mm.



6. À l'aide d'une pince, ouvrir la bride de tuyau sur le tube flexible et faire glisser la bride de tuyau d'environ 2" (5 cm) à partir de l'extrémité du tube. Ôter le tube flexible du tube du chauffe-eau.



7. Soulever le chauffe-eau du distributeur pour le séparer de la bride de montage.



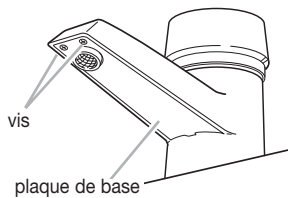
8. Maintenir le chauffe-eau du distributeur au-dessus d'un évier, le retourner et laisser l'eau s'en écouler.
9. Une fois le chauffe-eau vide, le réinstaller sur la bride de montage.
10. Reconnecter le tube de cuivre du robinet et le tube flexible. (Voir les étapes 5 à 7 dans "Installation du robinet de puisage".)

Pour utiliser le distributeur à nouveau, suivre les étapes 1 à 5 dans "Achever l'installation". Ne pas mettre en marche l'appareil si le chauffe-eau est vide. L'appareil subirait des dommages non couverts par la garantie.

Nettoyage du tamis de filtration du robinet

Si vous avez une eau très dure et remarquez que le débit d'eau est réduit, il peut être nécessaire de nettoyer le filtre du robinet.

1. Faire tourner le bouton de réglage de la température jusqu'à la position de fermeture "Off". Appuyer sur le bouton de manoeuvre et faire tourner le bouton dans le sens horaire. Laisser couler l'eau jusqu'à ce qu'elle soit froide, pour qu'il n'y ait plus aucun risque de brûlure.
2. Dévisser les deux vis du robinet.
3. Ôter la plaque de base du robinet.
4. Tirer sur le filtre pour le sortir de la canalisation d'eau chaude.
5. À l'aide de vinaigre et d'une petite brosse, enlever les dépôts d'eau dure. Si le dépôt a durci, le faire tremper dans du vinaigre pendant une heure ou deux, puis utiliser une brosse pour le nettoyage.
6. Réinstaller le filtre dans la canalisation. Reposer la plaque sur le robinet.



Avant de demander l'intervention d'un technicien

Si le distributeur d'eau chaude ne fonctionne pas, rechercher d'abord les causes suivantes :

- Disjoncteur ouvert ou fusible grillé?
- Cordon d'alimentation correctement branché sur une prise de courant à trois alvéoles reliée à la terre?
- Sélecteur de température à la position d'arrêt Off?
- Robinet d'arrêt fermé entre la canalisation d'eau et le distributeur d'eau chaude?
- Prise de courant désactivée par un commutateur?

Guide de dépannage

Si vous avez besoin d'aide, consultez le tableau ci-dessous. Ceci pourrait vous éviter le coût d'une visite de service pour un problème non couvert par la garantie.

PROBLÈME	CONTRÔLER CE QUI SUIT	PROBLÈME	CONTRÔLER CE QUI SUIT
L'eau n'est pas chauffée.	<ul style="list-style-type: none">■ Alimentation électrique du distributeur d'eau chaude : fusible grillé, disjoncteur ouvert?■ Alimentation électrique du distributeur d'eau chaude : cordon d'alimentation branché sur une prise de courant à 3 alvéoles et reliée à la terre?■ Alimentation électrique du distributeur d'eau chaude : prise de courant désactivée par un commutateur?■ Chauffage en cours de l'eau froide présente dans le chauffe-eau. Attendre 15 mn avant de contrôler la température de nouveau.■ Vérifier que le sélecteur de température est à la position de chauffage "Max".	Pas de sortie d'eau par le robinet de puisage.	<ul style="list-style-type: none">■ Vérifier que le robinet d'arrêt est ouvert.■ Déterminer si le tamis de filtration du robinet est obstrué. Voir "Entretien du distributeur d'eau chaude".■ Rechercher déformations/écrasements des tubes et conduits.■ Si un filtre à eau est utilisé, vérifier que la pression à l'entrée du distributeur d'eau chaude est d'au moins 20 lb/po² (138 kPa).
Émission de vapeur, production de bruits d'ébullition, ou eau trop chaude.	<ul style="list-style-type: none">■ Sélectionner une température moins élevée : ceci éliminera la production de vapeur ou l'émission de bruits. Dans le cas d'une altitude élevée, il peut être nécessaire de réduire la température sélectionnée par le thermostat pour qu'il n'y ait pas d'ébullition de l'eau.	Goût désagréable de l'eau.	<ul style="list-style-type: none">■ Chauffe-eau raccordé à la canalisation d'eau chaude. Raccorder le chauffe-eau à la canalisation d'eau froide.■ Installer un système de filtration de l'eau entre la canalisation d'eau froide et le chauffe-eau.■ Si le chauffe-eau n'a pas été utilisé pendant trois jours ou plus, ou si on ne puise que 1 à 3 tasses d'eau par jour, il peut être nécessaire de purger le chauffe-eau. Ouvrir le robinet de puisage pendant 2 à 3 minutes pour remplacer l'eau du chauffe-eau par de l'eau fraîche. Avant de puiser de l'eau, attendre (environ 15 mn) que le chauffe-eau chauffe à la température désirée l'eau froide nouvellement introduite.
Débit insuffisant du robinet de puisage.	<ul style="list-style-type: none">■ Déterminer si le tube d'alimentation du robinet est déformé ou écrasé.■ Réduire la température de chauffage pour éliminer les gouttes ou projections d'eau.■ Déterminer si le tamis de filtration du robinet est obstrué. Voir "Entretien du distributeur d'eau chaude".■ Déterminer si l'installation a été correctement réalisée : tubes de cuivre entre le robinet et le chauffe-eau et entre le robinet et la canalisation d'eau froide. Voir "Instructions d'installation".	Débit très insuffisant du robinet de puisage - moins de 1/2 gallon (1,9 litre) par minute.	<ul style="list-style-type: none">■ Si un filtre à eau est utilisé, vérifier que la pression à l'entrée du distributeur d'eau chaude est d'au moins 20 lb/po² (138 kPa).

DEMANDE D'ASSISTANCE OU DE SERVICE

Pour éviter des appels de service inutiles, veuillez vous reporter à la section "Guide de dépannage". Cela pourrait vous éviter le coût d'une visite de service. Si une assistance demeure nécessaire, suivre les instructions ci-dessous. Les renseignements indiqués dans la section "Enregistrement des renseignements concernant votre modèle" seront nécessaires.

Si vous avez besoin de pièces de rechange

Si vous avez besoin de commander des pièces de rechange, nous vous recommandons d'utiliser seulement les pièces d'origine FSP®. Ces pièces de rechange conviendront et fonctionneront bien parce qu'elles sont fabriquées selon les mêmes spécifications précises utilisées pour construire chaque nouvel appareil WHIRLPOOL®. Pour localiser des pièces d'origine FSP dans votre région, téléphoner (aux É.-U.) au Centre d'interaction avec la clientèle ou au centre de service désigné le plus proche.

Si vous avez besoin d'assistance ou de service aux É.-U.

Téléphoner au Centre d'interaction avec la clientèle sans frais : **1-800-253-1301**.

Nos consultants fournissent de l'assistance pour :

- Caractéristiques et spécifications de notre gamme complète d'appareils ménagers.
- Renseignements d'installation.
- Procédés d'utilisation et d'entretien.
- Vente d'accessoires et de pièces de rechange.
- Assistance spécialisée au client (langue espagnole, malentendants, malvoyants, etc.).
- Les références aux concessionnaires, compagnies de service de réparation et distributeurs de pièces de rechange locaux. Les techniciens de service désignés par Whirlpool sont formés pour remplir la garantie des produits et fournir un service après garantie partout aux États-Unis.

Pour localiser la compagnie de service désignée par Whirlpool dans votre région, vous pouvez consulter les Pages jaunes.

Pour plus d'assistance

Si vous avez besoin de plus d'assistance, vous pouvez nous écrire en soumettant toute question ou problème à :

Whirlpool Corporation
Customer Interaction Center
553 Benson Road
Benton Harbor, MI 49022-2692

Veuillez indiquer dans votre correspondance un numéro de téléphone où l'on peut vous joindre durant la journée.

Accessoires aux É.-U.

Pour commander des accessoires, téléphonez sans frais au Centre d'interaction avec la clientèle Whirlpool en composant le **1-800-442-9991** et suivez les directives transmises. Ou visitez notre site web à **www.whirlpool.com**.

Si vous avez besoin d'assistance ou de service au Canada

Téléphoner sans frais au Centre d'interaction avec la clientèle de Whirlpool Canada Inc. au : **1-800-461-5681** du lundi au vendredi - de 8 h 00 à 18 h 00 (HNE). Le samedi - de 8 h 30 à 16 h 30 (HNE).

Nos consultants fournissent de l'assistance pour :

- Caractéristiques et spécifications de notre gamme complète d'appareils électroménagers.
- Les références aux concessionnaires locaux.

Pour service au Canada

Téléphoner au **1-800-807-6777**. Les techniciens de service désignés par Whirlpool Canada Inc. sont formés pour remplir la garantie des produits et fournir un service après garantie partout au Canada.

Pour plus d'assistance

Si vous avez besoin de plus d'assistance, vous pouvez nous écrire en soumettant toute question ou problème à KitchenAid Canada à :

Centre d'interaction avec la clientèle
Whirlpool Canada Inc.
1901 Minnesota Court
Mississauga, Ontario L5N 3A7

Dans votre correspondance, veuillez indiquer un numéro de téléphone où l'on peut vous joindre dans la journée.

GARANTIE DES GROS APPAREILS MÉNAGERS WHIRLPOOL CORPORATION

GARANTIE LIMITÉE DE UN AN

Pendant un an à compter de la date d'achat, lorsque ce gros appareil ménager est utilisé et entretenu conformément aux instructions jointes à ou fournies avec le produit, Whirlpool Corporation ou Whirlpool Canada LP (ci-après désignées Whirlpool ") paiera pour les pièces de rechange FSP® et la main-d'œuvre pour corriger les vices de matériaux ou de fabrication. Le service doit être fourni par une compagnie de service désignée par Whirlpool.

WHIRLPOOL NE PRENDRA PAS EN CHARGE

1. Les visites de service pour rectifier l'installation du gros appareil ménager, montrer à l'utilisateur comment utiliser l'appareil, remplacer ou réparer des fusibles ou rectifier le câblage ou la plomberie du domicile.
 2. Les visites de service pour réparer ou remplacer les ampoules électriques de l'appareil, les filtres à air ou les filtres à eau. Ces pièces consommables ne sont pas couvertes par la garantie.
 3. Les réparations lorsque le gros appareil ménager est utilisé à des fins autres que l'usage unifamilial normal.
 4. Les dommages imputables à : accident, modification, usage impropre ou abusif, incendie, inondation, actes de Dieu, installation fautive ou installation non conforme aux codes d'électricité ou de plomberie, ou l'utilisation de produits non approuvés par Whirlpool.
 5. Toute perte d'aliments due à une défaillance du réfrigérateur ou du congélateur.
 6. Le coût des pièces de rechange et de la main-d'œuvre pour les appareils utilisés hors des États-Unis ou du Canada.
 7. Le ramassage et la livraison. Ce gros appareil ménager est conçu pour être réparé à domicile.
 8. Les réparations aux pièces ou systèmes résultant d'une modification non autorisée faite à l'appareil.
 9. Les frais de transport pour le service d'un produit dans les régions éloignées.
 10. La dépose et la réinstallation de votre appareil si celui-ci est installé dans un endroit inaccessible ou n'est pas installé conformément aux instructions d'installation fournies.
-

CLAUSE D'EXONÉRATION DE RESPONSABILITÉ AU TITRE DES GARANTIES IMPLICITES; LIMITATION DES RECOURS

LE SEUL ET EXCLUSIF RECOURS DU CLIENT DANS LE CADRE DE LA PRÉSENTE GARANTIE LIMITÉE CONSISTE EN LA RÉPARATION PRÉVUE CI-DESSUS. LES GARANTIES IMPLICITES, Y COMPRIS LES GARANTIES APPLICABLES DE QUALITÉ MARCHANDE ET D'APTITUDE À UN USAGE PARTICULIER, SONT LIMITÉES À UN AN OU À LA PLUS COURTE PÉRIODE AUTORISÉE PAR LA LOI. WHIRLPOOL N'ASSUME AUCUNE RESPONSABILITÉ POUR LES DOMMAGES FORTUITS OU INDIRECTS. CERTAINES JURIDICTIONS NE PERMETTENT PAS L'EXCLUSION OU LA LIMITATION DES DOMMAGES FORTUITS OU INDIRECTS, OU LES LIMITATIONS DE LA DURÉE DES GARANTIES IMPLICITES DE QUALITÉ MARCHANDE OU D'APTITUDE À UN USAGE PARTICULIER, DE SORTE QUE CES EXCLUSIONS OU LIMITATIONS PEUVENT NE PAS S'APPLIQUER DANS VOTRE CAS. CETTE GARANTIE VOUS CONFÈRE DES DROITS JURIDIQUES SPÉCIFIQUES ET VOUS POUVEZ ÉGALEMENT JOUIR D'AUTRES DROITS QUI PEUVENT VARIER D'UNE JURIDICTION À UNE AUTRE.

À l'extérieur du Canada et des 50 États des États-Unis, cette garantie ne s'applique pas. Contacter votre marchand Whirlpool autorisé pour déterminer si une autre garantie s'applique.

Si vous avez besoin de service, voir d'abord la section "Dépannage" du Guide d'utilisation et d'entretien. Après avoir vérifié la section "Dépannage", de l'aide supplémentaire peut être trouvée en vérifiant la section "Assistance ou service" ou en appelant Whirlpool. Aux É.-U., composer le **1-800-253-1301**. Au Canada, composer le **1-800-807-6777**.

8/05

8578393

Tous droits réservés.

© 2005 Whirlpool Corporation

® Marque déposée/TM Marque de commerce de Whirlpool, U.S.A., Emploi licencié par Whirlpool Canada Inc. au Canada

Imprimé aux É.-U.

09/2005