

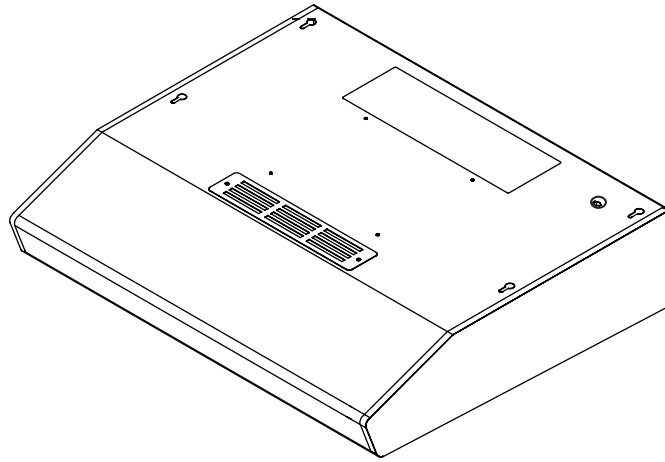
# Use, Care, and Installation Guide

## Breeze I

AK1124x, AK1100x, AK1136x

## Breeze II

AK1200x, AK1236x



Model number: \_\_\_\_\_

Serial Number: \_\_\_\_\_

Date of Purchase: \_\_\_\_\_

Sales Dealer: \_\_\_\_\_

FEB08.0201 © Zephyr Corporation

**READ AND SAVE THESE INSTRUCTIONS**



**SAFETY NOTICE** ..... 2-3

**LIST OF MATERIALS**..... 4

**INSTALLATION**

- Ducting Calculation Sheet..... 5
- Mounting Height & Clearance..... 6
- Ducting Options ..... 7
- Specifications ..... 8
- Preparing Electrical..... 9
- Preparing Electrical and Ducting..... 10
- Converting to Air Recirculating Mode..... 11-12
- Mounting the Range Hood ..... 13

**FEATURES & CONTROLS**

- Controls & Features..... 14

**MAINTENANCE**

- Cleaning and Filter Removal..... 15
- Lights..... 16

**TROUBLESHOOTING**..... 17

**LIST OF PARTS AND ACCESSORIES** ..... 18

**Important Safety Notice**

**WARNING**

TO REDUCE THE RISK OF FIRE OR ELECTRIC SHOCK, DO NOT USE THIS FAN WITH ANY SOLID-STATE CONTROL DEVICE.

**WARNING**

TO REDUCE THE RISK OF FIRE ELECTRIC SHOCK, OR INJURY TO PERSONS, OBSERVE THE FOLLOWING:

- a. Use this unit only in the manner intended by the manufacturer, if you have questions, contact the manufacturer.
- b. Before servicing or cleaning unit, switch power off at service panel and lock panel to prevent power from being switched on accidentally. When the service disconnecting means cannot be locked, securely fasten a prominent warning device, such as a tag, to the service panel.

**CAUTION**

For general ventilating use only. Do not use to exhaust hazardous or explosive materials and vapors. Take care when using cleaning agents or detergents. Suitable for use in household cooking area.

**WARNING**

TO REDUCE THE RISK OF RANGE TOP GREASE FIRE:

- a. Never leave surface units unattended at high settings. Boilovers cause smoking and greasy spillovers that may ignite. Heat oils slowly on low or medium settings.
- b. Always turn hood ON when cooking at high heat or when flaming food
- c. Clean ventilating fans frequently. Grease should not be allowed to accumulate on fan or filter.
- d. Use proper pan size. Always use cookware appropriate for the size of the surface element.
- e. Keep fan, filters and grease laden surfaces clean.
- f. Use high setting on hood only when necessary.
- g. Don't leave hood unattended when cooking.
- h. Always use cookware and utensils appropriate for the type of and amount of food being prepared.

**WARNING**

TO REDUCE THE RISK OF INJURY TO PERSONS IN THE EVENT OF A RANGE TOP FIRE, OBSERVE THE FOLLOWING:

- a. SMOTHER FLAMES with a close-fitting lid, cookie sheet, or metal tray, then turn off the burner. BE CAREFUL TO PREVENT BURNS. If the flames do not go out immediately, EVACUATE AND CALL THE FIRE DEPARTMENT.
- b. NEVER PICK UP A FLAMING PAN – You may be burned.
- c. DO NOT USE WATER, including wet dishcloths or towels – a violent steam explosion will result.
- d. Use an extinguisher ONLY if:
  - 1. You know you have a Class ABC extinguisher, and you already know how to operate it.
  - 2. The fire is small and contained in the area where it started.
  - 3. The fire department is being called.
  - 4. You can fight the fire with your back to an exit

**WARNING**

TO REDUCE THE RISK OF FIRE, ELECTRIC SHOCK OR INJURY TO PERSONS, OBSERVE THE FOLLOWING:

- a. Installation work and electrical wiring must be done by qualified person(s) in accordance with all applicable codes and standards. Including fire-rated construction.
- b. Sufficient air is needed for power combustion and exhausting of gases through the flue (chimney) of fuel burning equipment to prevent back-drafting. Follow the heating equipment manufacturer's guideline and safety standards such as those published by the National Fire Protection Association (NFPA) and the American Society for Heating, Refrigeration and Air Conditioning Engineers (ASHRAE) and the local code authorities.
- c. When cutting or drilling into wall or ceiling, do not damage electrical wiring and other hidden utilities.
- d. Ducted fans must always vent to the outdoors.
- e. If this unit is to be installed over a tub or shower, it must be marked as appropriate for the application and be connected to a GFI (Ground Fault Interrupter protected branch circuit).
- g. NEVER place a switch where it can be reached from a tub or shower.
- h. Make sure the power is off before installing, wiring or maintenancing.

**WARNING**

TO REDUCE THE RISK OF FIRE, USE ONLY METAL DUCTWORK.

**CAUTION**

To reduce risk of fire and to properly exhaust air outside - Do not vent exhaust air into spaces within walls, ceilings, attics, crawl spaces or garages.

**OPERATION**

Always leave safety grilles and filters in place. Without these components, operating blowers could catch onto hair, fingers and loose clothing.

The manufacturer declines all responsibility in the event of failure to observe the instructions given here for installation, maintenance and suitable use of the product. The manufacturer further declines all responsibility for injury due to negligence and the warranty of the unit automatically expires due to improper maintenance.

**\*NOTE: Please check [www.zephyronline.com](http://www.zephyronline.com) for revisions before doing any custom work.**

**ELECTRICAL REQUIREMENTS**

**Important:**

Observe all governing codes and ordinances.

It is the customer's responsibility:

- To contact a qualified electrical installer.
- To assure that the electrical installation is adequate and in conformance with National Electrical Code, ANSI/NFPA 70 latest edition\* or CSA standards C22.1-94, Canadian Electrical Code, Part 1 and C22.2 No.0-M91 - latest edition\*\* and all local codes and ordinances.

If codes permit and a separate ground wire is used, it is recommended that a qualified electrician determine that the ground path is adequate.

Do not ground to a gas pipe.

Check with a qualified electrician if you are not sure the range hood is properly grounded.

Do not have a fuse in the neutral or ground circuit.

\*National Fire Protection Association Batterymarch Park, Quincy, Massachusetts 02269

\*\* CSA International 8501 East Pleasant Valley Road, Cleveland, Ohio 44131-5575

This appliance requires a 120V 60Hz electrical supply and connected to an individual properly grounded branch circuit protected by a 15 or 20 ampere circuit breaker or time delay fuse. Wiring must be 2 wire with ground. Please also refer to Electrical Diagram on product.

A cable locking connector (not supplied) might also be required by local codes. Check with local requirements, purchase and install appropriate connector if necessary.

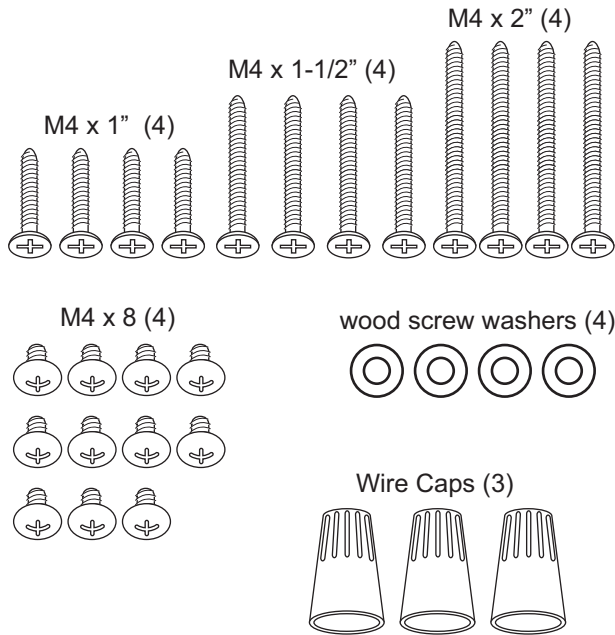
# List of Materials

**MODELS: BREEZE I AND BREEZE II**

## PARTS SUPPLIED

- 1 - Hood
- 2 - Metal Mesh Filters
- 2 - Incandescent Light Bulbs (R16 40W)
- 1 - 3-1/4"x10" Rectangular starting collar with damper
- 1 - Hardware package



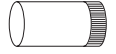
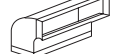







## HARDWARE PACKAGE CONTENTS

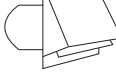


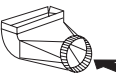


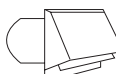
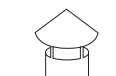
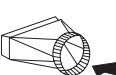
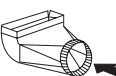


## PARTS NOT SUPPLIED

- Ducting, conduit and all installation tools
- Cable connector (*if required by local codes*)
- Recirculating Kit

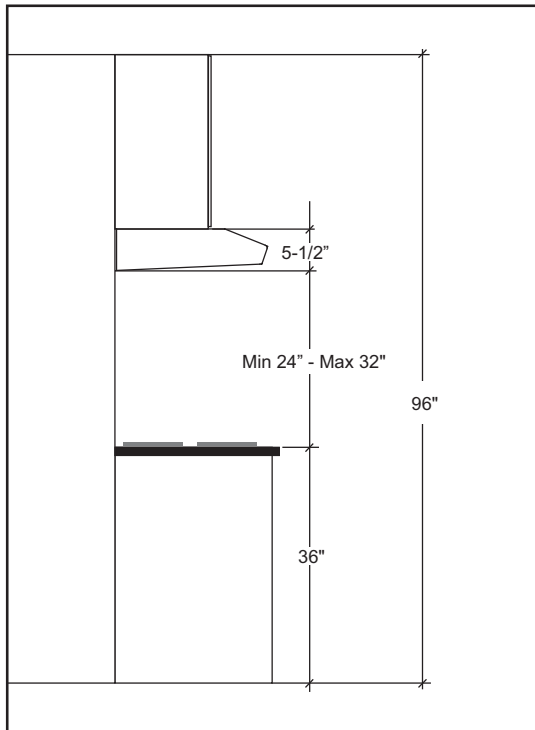
# Installation – Ducting Calculation Sheet

Duct pieces		Equivalent number length x used =	Total
	3-1/4" x 10" Rect., straight	1 Ft. x ( ) =	Ft.
	6" Round, straight	1 Ft. x ( ) =	Ft.
	7"-10" Round, straight	1 Ft. x ( ) =	Ft.
	3-1/4" x 10" Rect. 90° elbow	15 Ft. x ( ) =	Ft.
	3-1/4" x 10" Rect. 45° elbow	9 Ft. x ( ) =	Ft.
	3-1/4" x 10" Rect. 90° flat elbow	24 Ft. x ( ) =	Ft.
	3-1/4" x 10" Rect. wall cap with damper	30 Ft. x ( ) =	Ft.
	3-1/4" x 10" Rect. to 6" round transition	5 Ft. x ( ) =	Ft.
	3-1/4" x 10" Rect. to 6" round transition 90° elbow	20 Ft. x ( ) =	Ft.
	6" Round, 90° elbow	15 Ft. x ( ) =	Ft.
	6" Round, 45° elbow	9 Ft. x ( ) =	Ft.
Subtotal column 1 =			Ft.

Duct pieces		Equivalent number length x used =	Total
	6" Round wall cap with damper	30 Ft. x ( ) =	Ft.
	6" Round, roof cap	30 Ft. x ( ) =	Ft.
	6" round to 3-1/4" x 10" rect. transition	1 Ft. x ( ) =	Ft.
	6" round to 3-1/4" x 10" rect. transition 90° elbow	16 Ft. x ( ) =	Ft.
	7" - 10" Round, 90° elbow	15 Ft. x ( ) =	Ft.
	7" - 10" Round, 45° elbow	9 Ft. x ( ) =	Ft.
	7" - 10" Round wall cap with damper	30 Ft. x ( ) =	Ft.
	7" - 10" Round, roof cap	30 Ft. x ( ) =	Ft.
	7" round to 3 1/4" x 10" rect. transition	8 Ft. x ( ) =	Ft.
	7" round to 3-1/4" x 10" rect. transition 90° elbow	23 Ft. x ( ) =	Ft.
Subtotal column 2 =			Ft.
Subtotal column 1 =			Ft.
Total ductwork =			Ft.

**Maximum Duct Length:** For satisfactory air movement, the total duct length should not exceed 100 equivalent feet.

# Installation – Mounting Height & Clearance



Minimum mount height between range top to hood bottom should be no less than 24".

Maximum mount height should be no higher than 32".

It is important to install the hood at the proper mounting height. Hoods mounted too low could result in heat damage and fire hazard; while hoods mounted too high will be hard to reach and will lose its performance and efficiency.

If available, also refer range manufacturer's height clearance requirements and recommended hood mounting height above range.

Vertical Ducting:  
3-1/4"x10" minimum

Horizontal Ducting:  
3-1/4"x10" minimum

## DUCTING

A minimum 3-1/4" x 10" rectangular duct must be used to maintain maximum air flow efficiency.

Always use rigid type metal ducts only. Flexible ducts could restrict air flow by up to 50%.

Also use calculation (on page 5) to compute total available duct run when using elbows, transitions and caps.

ALWAYS, when possible, reduce the number or transitions and turns. If long duct run is required, increase duct size.

If turns or transitions are required; install as far away from hood duct output and as far apart, between the two as possible.



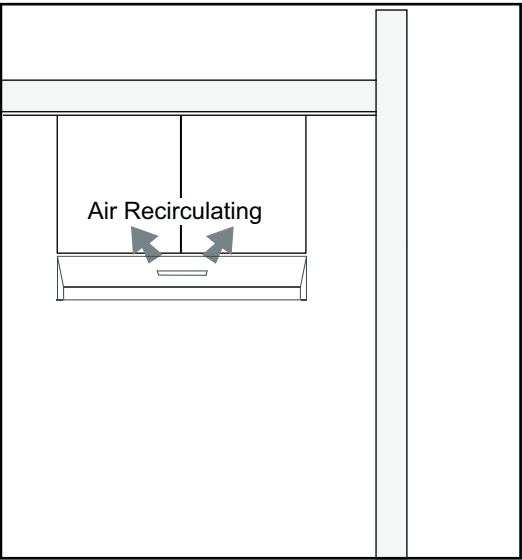
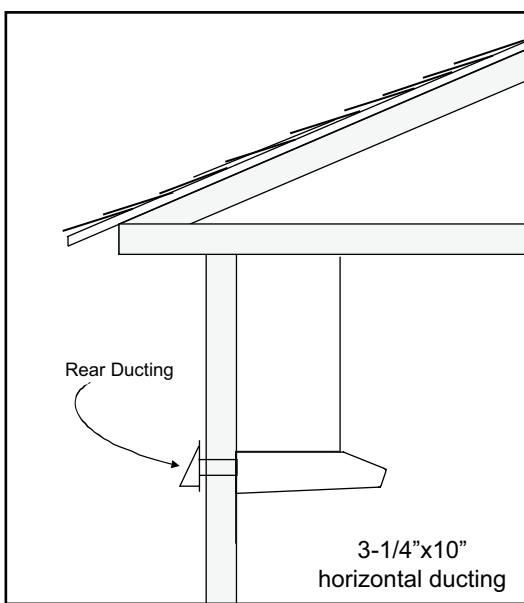
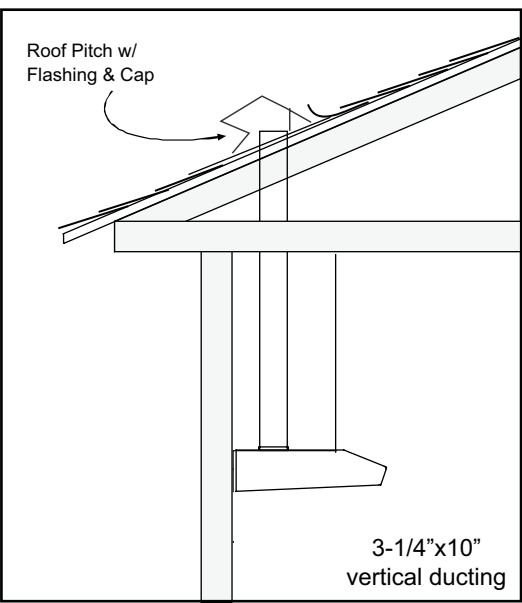
**WARNING FIRE HAZARD**

NEVER exhaust air or terminate duct work into spaces between walls, crawl spaces, ceiling, attics or garages. All exhaust must be ducted to the outside.

Use metal ductwork only.

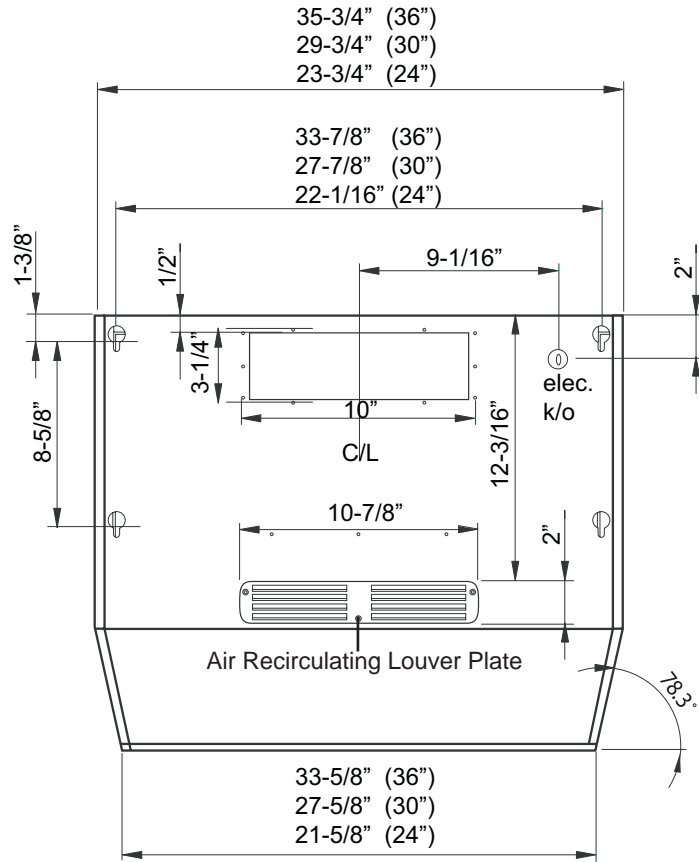
Fasten all connections with sheet metal screws and tape all joints with certified Silver Tape or Duct Tape.

**Some Ducting Options**

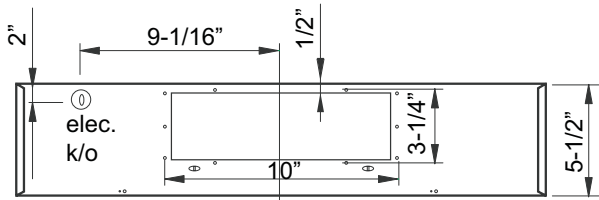


# Installation – Specifications

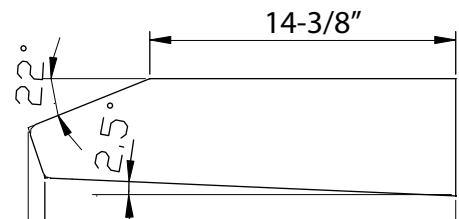
## TOP



## BACK



## SIDE



## ELECTRICAL WARNING

All Electrical work must be performed by qualified electrician or person with similar technical know how and background.

For personal safety, remove house fuse or open circuit breaker before beginning installation. Do not use extension cord or adapter plug with this appliance.

Follow national electrical codes or prevailing local codes and ordinances.

### Electrical Supply:

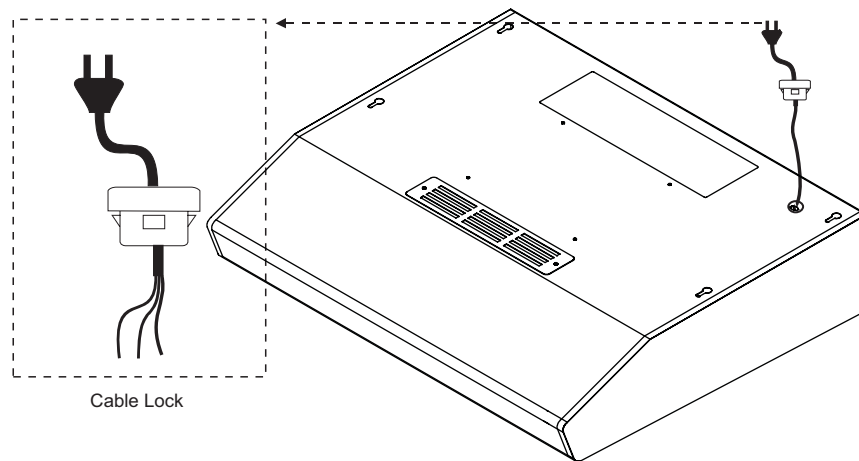
This appliance requires a 120V 60Hz electrical supply, and connected to an individual, properly grounded branch circuit, protected by a 15 or 20 ampere circuit breaker or time delay fuse. Wiring must be 2 wire w/ ground. Please also refer Electrical Diagram labeled on product.

AK11xxx - 152 Watts @ 1.35 Amps

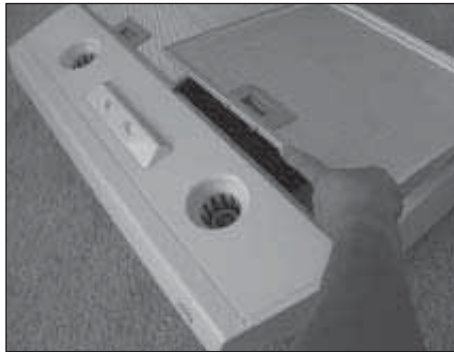
AK12xxx - 167 Wats @ 1.5 Amps

### Cable Lock:

A cable locking connector (not supplied) might also be required by local codes. Check with local requirements and codes, purchase and install appropriate connector if necessary.



# Installation – Preparing Electrical and Ducting



1. Remove filters



2. Remove cover from junction box to gain access to electrical wiring.



3. If using a cable lock, pry open the desired electrical knockout either on top or back of hood. Feed the wires through the cable lock. Some local codes require the use of a cable lock, check your local codes.



4. If using hood in air recirculating mode skip steps 4 and 5.

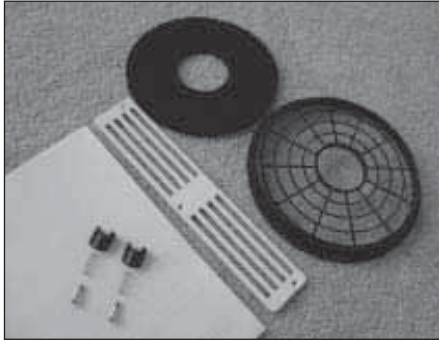
Pry open desired 3-1/4" x 10" ducting knock-out either on top or back of hood.



5. Secure 3-1/4" x 10" starting collar with damper to the duct opening using (10) M4x8 screws.

The following instructions are for Breeze hoods beginning with serial number prefix 13 and later.

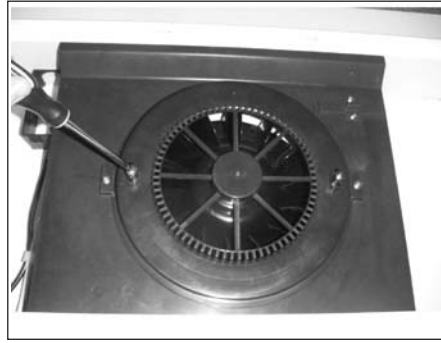
**NOTE:** Skip the recirculating preparation pages if you are ducting the air out of your home.



An air recirculating kit (optional) must be purchased before using hood in recirculating mode.

Recirculating kit - 0AK11-21001

Replacement filter - 0AK11-20001



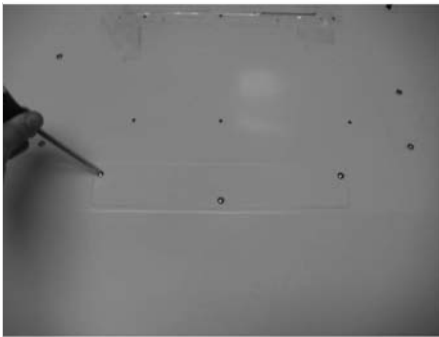
1. Secure each of the (2) spring clips to the safety grille body (A). Do this by inserting the screw through the spring and into the clip. Secure each clip to the safety grille body by using a philips head screwdriver.



2. Insert charcoal filter into charcoal filter holder (B) and place it over the safety grille body (A)



3. Secure charcoal filter holder to safety grill body by lifting up on spring clips and twisting. The clip should cover the lip of the charcoal filter holder securely.

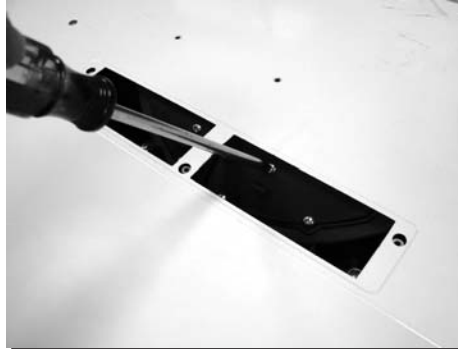


4. Remove each screw from recirculating top plate. Plate is located on top of hood towards the front.

**Recirculating preparation  
continued on next page**

# Installation – Converting to Air Recirculating Mode

**NOTE: Skip this page if you are ducting the air out of your home.**



5. Remove each of the 5 screws holding the (2) interior recirculating panels.



6. Remove (2) interior recirculating panels.



7. Place louvered recirculating plate over top opening and secure using the screws previously removed.

### For Mounting Under a Kitchen Cabinet (Fig 1)

1. Select preferred duct location (vertical or horizontal).
2. Begin installation by removing the filters (if installed).
3. Reinforce cabinet with 1"x2" wood strips if additional strengthening is required or if cabinets are framed.
4. Temporarily position the range hood in the desired mounting location. Measure and mark the mounting holes, duct and electrical locations with a pencil.
5. Drill/cut out the required openings for duct and electrical access by following the dimensions on page 8; make sure the duct opening is large enough to apply duct tape.
6. Fasten hood onto cabinet with (4) M4 wood screws provided.
7. Install electrical.
8. Install duct work and duct tape.
9. Reinstall filters.
10. Power up hood and check for leaks around duct tape.

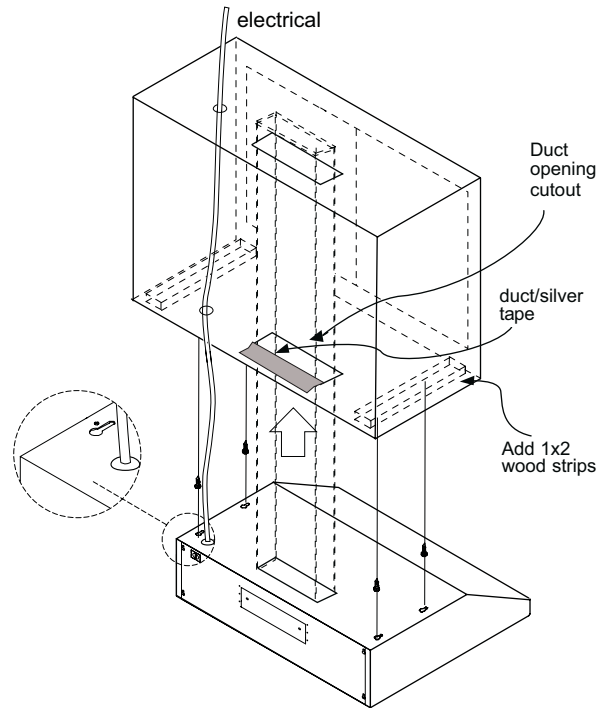
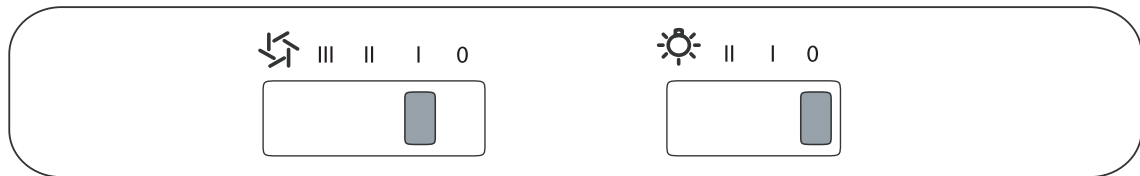


Fig 1  
(Shown as vertical ducting)

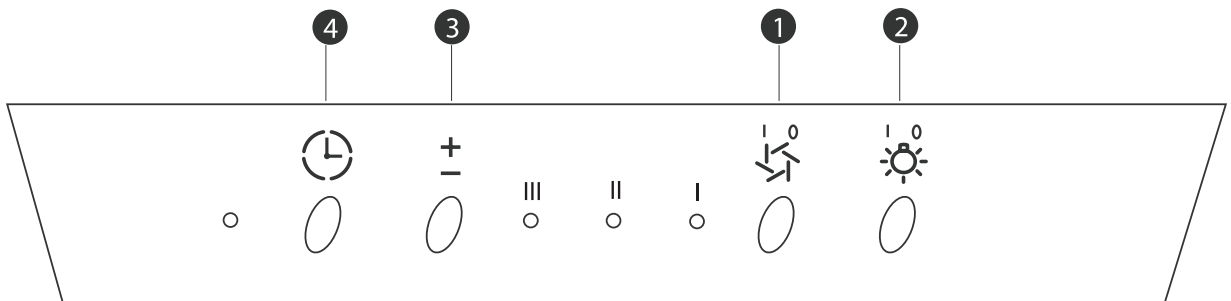
Breeze I, AK11xx

- ① Blower On/Off/Speed Selection    ② Lights On/Off/Dim



- ① Blower On/Off/Speed Selection  
This switch turns the blower on and off and controls the speed selection. 0 is off, I is low speed, II is medium speed and III is high speed.
- ② Lights Off/Bright/Dim  
0 is off, I is bright, II is dim.

Breeze II, AK12xx



- ① On/Off  
This button turns the motors on and off. It also shuts off power to the whole hood. If the lights are on and this button is pushed, they will also turn off.
- ② Lamp  
This button turns the lights on, off and also dims them. Press once to turn them on bright, again for dim and one more time to shut them off.
- ③ Speed  
This button will change the speed setting of the motors. By pushing it you will change the speeds from high to medium to low.
- ④ Delay Off  
This button will put the hood into delay off mode. When pushed, the hood will switch to the lowest speed and the entire hood will shut down all functions after 5 minutes.



**SURFACE MAINTENANCE:**

Clean periodically with hot soapy water and clean cotton cloth. Do not use corrosive or abrasive detergent, or steel wool/scouring pads which will scratch and damage surface. Do not use products containing chlorine bleach or orange cleaners.

For heavier soil use liquid degreaser.

After cleaning, you may use non-abrasive stainless steel polish/cleaners, to polish and buff out the stainless luster and grain. Always scrub lightly using a micro fiber or clean cotton cloth and with grain.

**Metal Mesh Filters**

The metal mesh filters are intended to trap residue and grease from cooking. Although the filters should never need replacing, they are required to be cleaned every 30 days or more often depending on cooking habits.

Filters may be placed in dishwasher at low heat or soaked in hot soapy water. Dry filters and re-install before using hood.

**Removing Metal Mesh Filters (Fig 2)**

1. Push in on filter handles.
2. Pivot front of filter downward.
3. Remove filter by pulling away from hood.

**Replacing Metal Mesh Filters**

Hood Model:	Part No.	Qty. to Order.
AK1124x	50200013	2
AK1100x/AK1136x	50200012	2
AK1200x/AK1236x	50200012	2

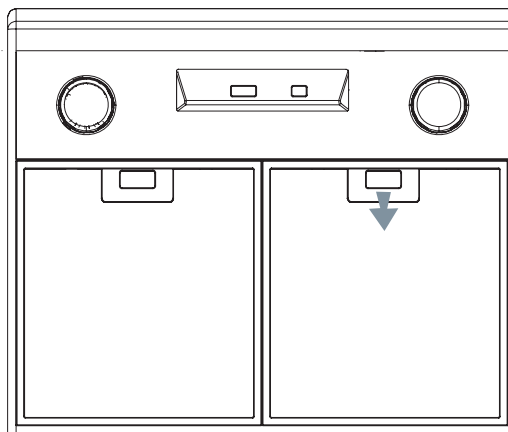


Fig 2

### REPLACING LIGHT BULBS

**CAUTION:** Light bulb becomes extremely hot when turned on.

**DO NOT touch bulb until switched off and cooled. Touching hot bulbs could cause serious burns.**

Make sure all power is turned off and bulbs are not hot.

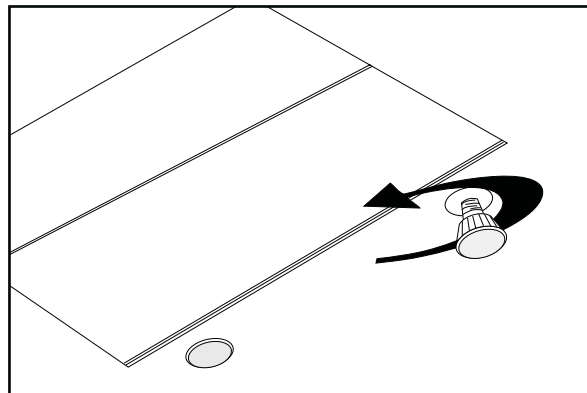
Remove by turning bulb counter clockwise to unscrew.

If bulbs are difficult to turn due to prolonged use, firmly attach a glass suction cup approximately the diameter of the bulb or use a rubber/latex glove and turn counter clockwise.

Replacement bulbs are available at specialty lighting stores. Purchase type R16 40W incandescent light bulb.

A PAR20 50W halogen light bulb may be purchased if you wish to have halogen light bulbs.

For Zephyr part numbers please turn to page 18 of the manual.



Bottom hood view

## TROUBLESHOOTING PROCEDURES FOR BREEZE I AND BREEZE II

Issue	Cause	What to do
After installation, the unit doesn't work.	1. The power source is not turned ON.	1. Make sure the circuit breaker and the unit's power is ON.
	2. The power line and the cable locking connector is not connecting properly.	2. Check the power connection with the unit is connected properly.
	3. The switch board and control board wirings are disconnected.	3. Make sure the wirings between the switch board and control board are connected properly.
	4. The wires on control board are loose.	4. Make sure the wires on the control board are connected properly.
	5. The switch board or control board is defective.	5. Change the switch board or control board.
Light works, but motor is not turning.	1. The motor is defective, possible seized.	1. Change the motor.
	2. The thermally protected system detects if the motor is too hot to operate and shuts the motor down.	2. The motor will function properly after the thermally protected system cool down.
	3. Damaged capacitor.	3. Change the capacitor.
	4. The motor wire is not connected.	4. Make sure the motor wire is plugged into the molex connector.
The unit is vibrating.	1. The motor is not secure in place.	1. Tighten the motor in place.
	2. Damaged blower wheel.	2. Change the blower.
	3. The hood is not secured in place.	3. Check the installation of the hood.
The motor is working, but the lights are not.	1. Defective bulb.	1. Change the bulb.
	2. The light bulb is loose.	2. Tighten the light bulb.
	3. The wires on the control board are loose.	3. Make sure the wires on control board are connected properly.
The hood is not venting out properly.	1. The hood might be hanging to high from the cook top.	1. Adjust the distance between the cook top and the bottom of the hood within 24" and 32" range.
	2. The wind from the opened windows or opened doors in the surrounding area are affecting the ventilation of the hood.	2. Close all the windows and doors to eliminate the outside wind flow.
	3. Blockage in the duct opening or duct work.	3. Remove all the blocking from the duct work or duct opening.
	4. The direction of duct opening is against the wind.	4. Adjust the duct opening direction.
	5. Using the wrong size of ducting.	5. Change the ducting to correct size.
Metal filter is vibrating.	1. Metal filter is loose.	1. Make sure spring handle still works.
	2. Handle does not freely move	2. Replace metal filter

**List of Parts and Accessories**

**DESCRIPTION**

**PART #**

**Replacement Parts**

Light Bulb R16 40W (each)	Z0B0002 - incandescent bulb included with hood
Light Bulb PAR20 50W (each)	Z0B0001 - optional halogen bulb
Metal Filter, 24" hoods (each)	50200013
Metal Filter, 30" and 36" hoods (each)	50200012

**Optional Accessories**

Recirculating Kit	0AK11-21001
Replacement Charcoal Filter	0AK11-20001

To order parts, visit us online at <http://store.zephyronline.com> or call us at 1.888.880.8368

TO OBTAIN SERVICE UNDER WARRANTY:  
or any Service Related Questions, please call:  
1-888-880-8368

**Staple your receipt here.  
Proof of the original purchase  
date is needed to obtain service  
under the warranty.**

**TO OBTAIN SERVICE UNDER WARRANTY:** You must present proof of original purchase date.  
Please keep a copy of your dated proof of purchase (sales slip) in order to obtain service under warranty.

**One Year Service Repair Warranty:**

For one year from date of original purchase, we will provide free of charge, service labor to repair any failed parts or components due to manufacturing defects.

**Two Years Parts Warranty:**

For two years from date of original purchase, we will provide free of charge, nonconsumable replacement parts or components that failed due to manufacturing defects. Consumable parts not covered by this warranty include: Light Bulbs, Metal and Carbon Filters.

**Who is Covered:**

This warranty is extended to the original purchaser for products purchased for ordinary home use in the 48 mainland states, Hawaii and Washington D.C. In Canada and Alaska, this warranty is Limited. There might be costs associated with shipping the products to our designated service locations or you might need to pay service technician's travel costs, to have the appliance repaired in-home.

**This Warranty will be Voided when:**

Product damaged through negligence, misuse, abuse, accident. Improper installation and failure to follow installation instructions. When product is used commercially or other than its intended purpose. Damaged because of improper connection with equipment of other manufacturers. Repaired or modified by anyone other than Zephyr's Authorized Agents.

**What is Not Covered:**

Consumable parts such as light bulbs, filters, and fuses. Services outside of service area and the labor cost incurred in connection with the removal, shipping and reinstallation cost, nor does it cover any other contingent expenses. The natural wear of finish, and wear due to improper maintenance, use of corrosive and abrasive cleaning products, pads, and oven cleaner products. Chips, dents or cracks due to abuse, misuse, freight damage, or improper installation. Service trips to your home to teach you how to use the product. Damage of product caused by accident, fire, floods or act of God.

This warranty is valid in the United States and Canada. It is non-transferable and applies only to the original purchaser and does not extend to subsequent owners of this product. Any applicable implied warranties, including the warranty of merchantability, are limited in duration to a period of express warranty as provided herein beginning with the date of original purchase at retail and, no warranties, whether express or implied, shall apply to this product thereafter.

Have your product proof of purchase with date ready for warranty issues.  
Or write to:

**Zephyr Corporation  
Service and Warranty Department  
395 Mendell Street  
San Francisco, CA 94124**