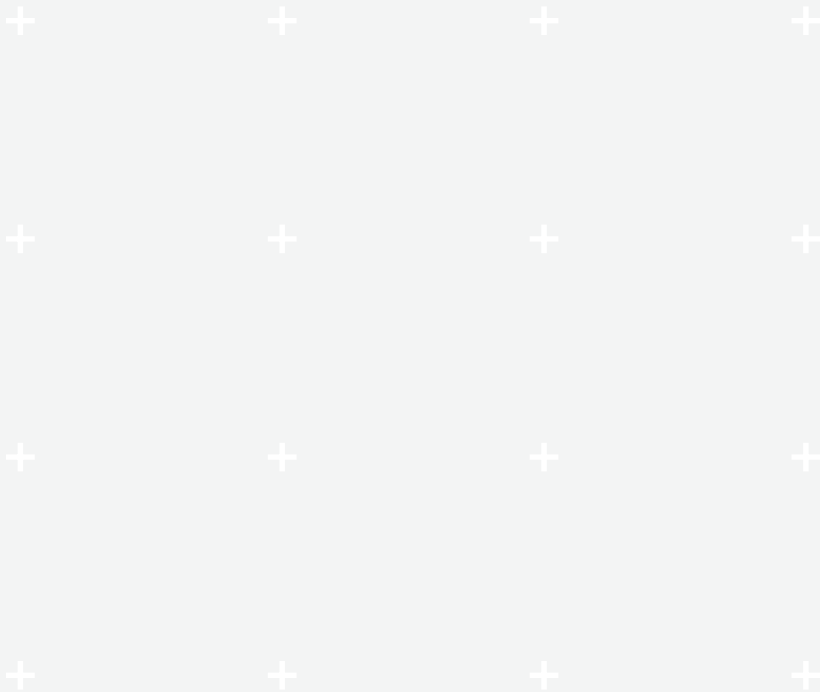
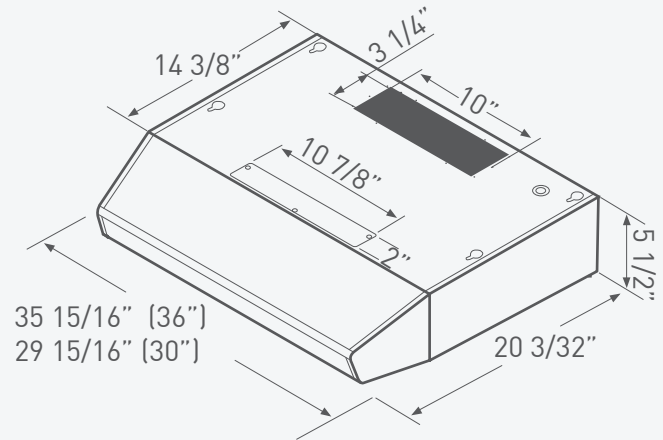


BREEZE II

For superior value in a quiet, high-performance package, Breeze II comes equipped with upgraded three-speed, 400-cfm blowers, convenient dishwasher-safe aluminum filters and a timed delay-off feature to automatically clear the air and power down after five minutes. Sleek, integrated controls simplify cleanup, and the two-level halogen bulbs let you set a low-key mood when the time is right.



ESSENTIALS



BREEZE II

UNDER CABINET

MODEL	AK1200	AK1236
SIZE	30"	36"
NET WIDTH	29 15/16"	35 15/16"
PERFORMANCE		
Internal Blower	175 - 400 CFM	175 - 400 CFM
Internal Blower Sones	1.9 - 4.5	1.9 - 4.5
COLOR		
Black, White, Stainless Steel	B, W, SS	B, W, SS
FEATURES		
Controls	Electronic Touch	Electronic Touch
Speed Levels	3	3
Auto Delay-Off	Yes	Yes
Lighting	Halogen, 35W x 2	Halogen, 35W x 2
Dual-Level Lighting	Yes	Yes
Filters	Aluminum Mesh x 2	Aluminum Mesh x 2
Recirculating	Yes	Yes
Duct Cover Extension	NA	NA
DUCT SPECIFICATIONS		
Internal Blower - Vertical	3 1/4" x 10"	3 1/4" x 10"
Internal Blower - Horizontal	3 1/4" x 10"	3 1/4" x 10"
AC INPUT	120V - 60Hz	120V - 60Hz
AC POWER	Max. 157W, 1.35 Amps	Max. 157W, 1.35 Amps
OPTIONAL ACCESSORIES		
Recirculating Kit	OAK11-21001	OAK11-21001

Mounting Heights Min. height 24" from cooking surface.
Hood mounted 60" from floor.

Max. height 32" from cooking surface.
Hood mounted 68" from floor.

