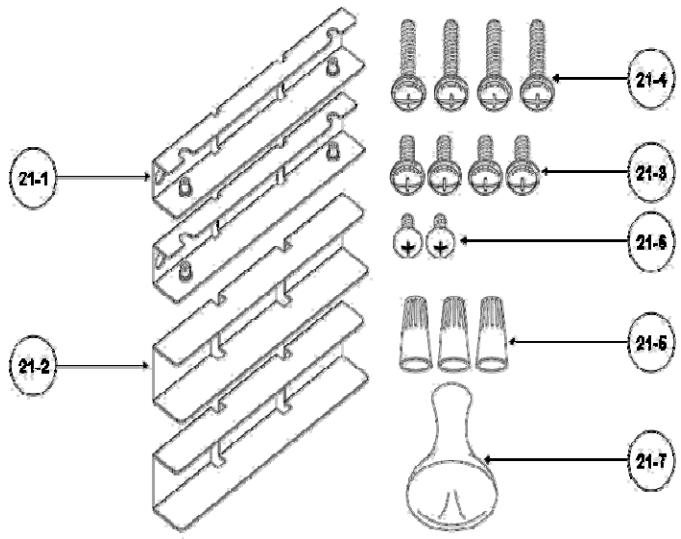
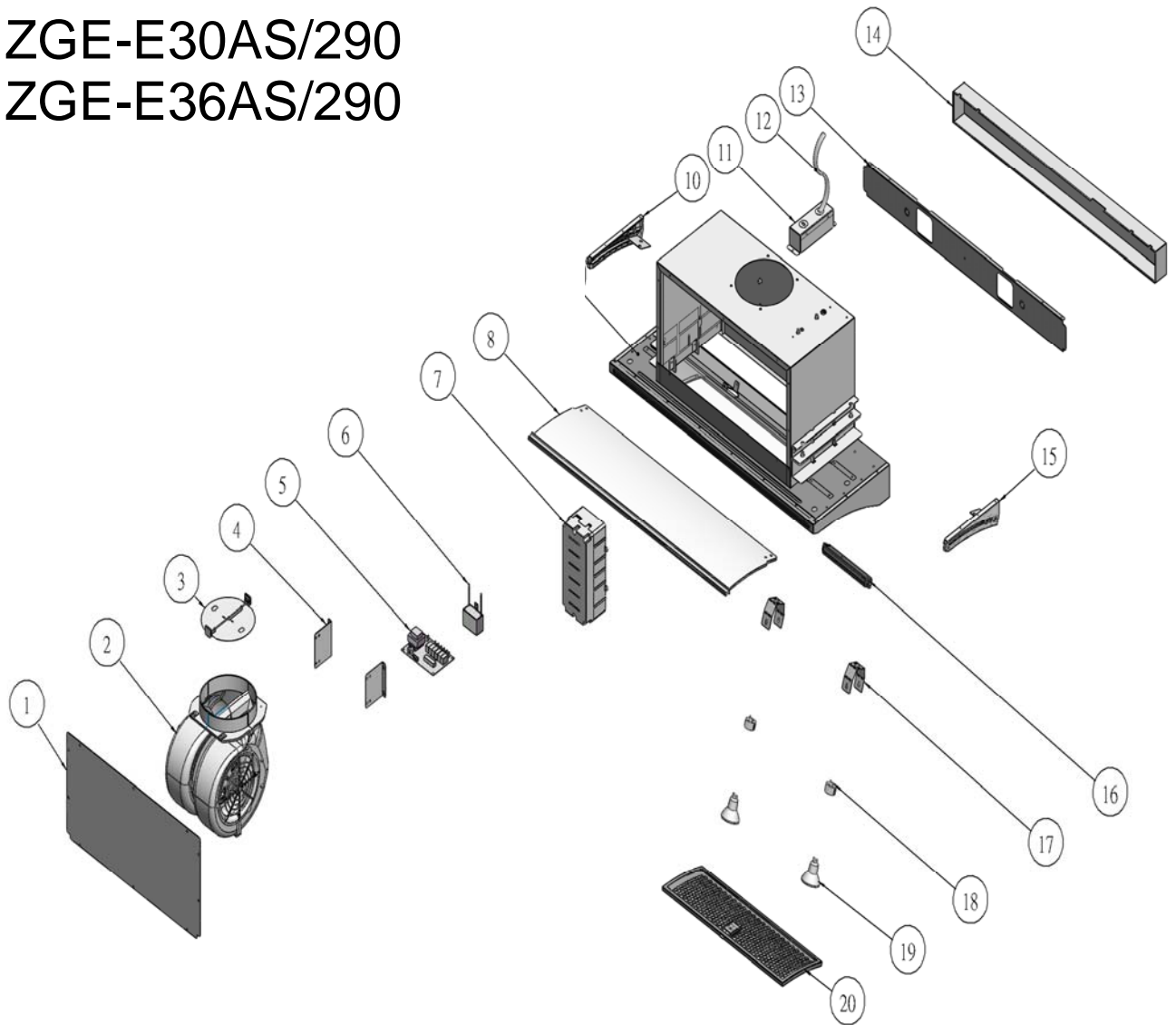


# ZGE-E30AS/290 ZGE-E36AS/290



**ZGE-E30AS/290 , ZGE-E36AS/290**

Ref #	Part #	Description	Qty.
1	54190023	Plate, Blower	1
2	12120043	Motor, 600 CFM	1
2	12120053	Motor, 290 CFM	1
3	54060007	Damper, 6" Round	1
4	54140076	Bracket, Motor	2
5	11010040	Control Board	1
5-1	12170004	Fuse, 8A, 250V	1
6	12050026	Capacitor, 600 CFM	1
6	12050012	Capacitor, 290 CFM	1
7	50500044	Junction Box	1
8	50300078	Canopy, 30"	1
8	50300079	Canopy, 36"	1
10	56240014	Canopy Track, Left	1
11	50500043	Electrical Box	1
12	11030028	Wires, Electrical	1
13	50120041	Panel, Rear, 30"	1
13	50120042	Panel, Rear, 36"	1
14	54140082	Adjustable Bracket, 30"	1
14	54140085	Adjustable Bracket, 36"	1
15	56240015	Canopy Track, Right	1
16	11000043	Switch Assembly	1
17	54140050	Bracket, Light Socket	2
18	12100041	Light Socket, GU-10	2
19	Z0B-0020	Halogen Bulb, GU-10, 50W	2
20	50200036	Filter, Metal Mesh	1
21	05000067	Hardware Packet	1
21-1	54140083	Mounting Bracket, Upper	2
21-2	54140084	Mounting Bracket, Lower	2
21-3	01650001	Screw, 3/16 x 3/8	4
21-4	01650008	Screw, 3/16 x 1"	4
21-5	15000002	Wire, Cap	3
21-6	01070010	Screw, M4 x 8mm	2
21-7	15000004	Suction Cup	1