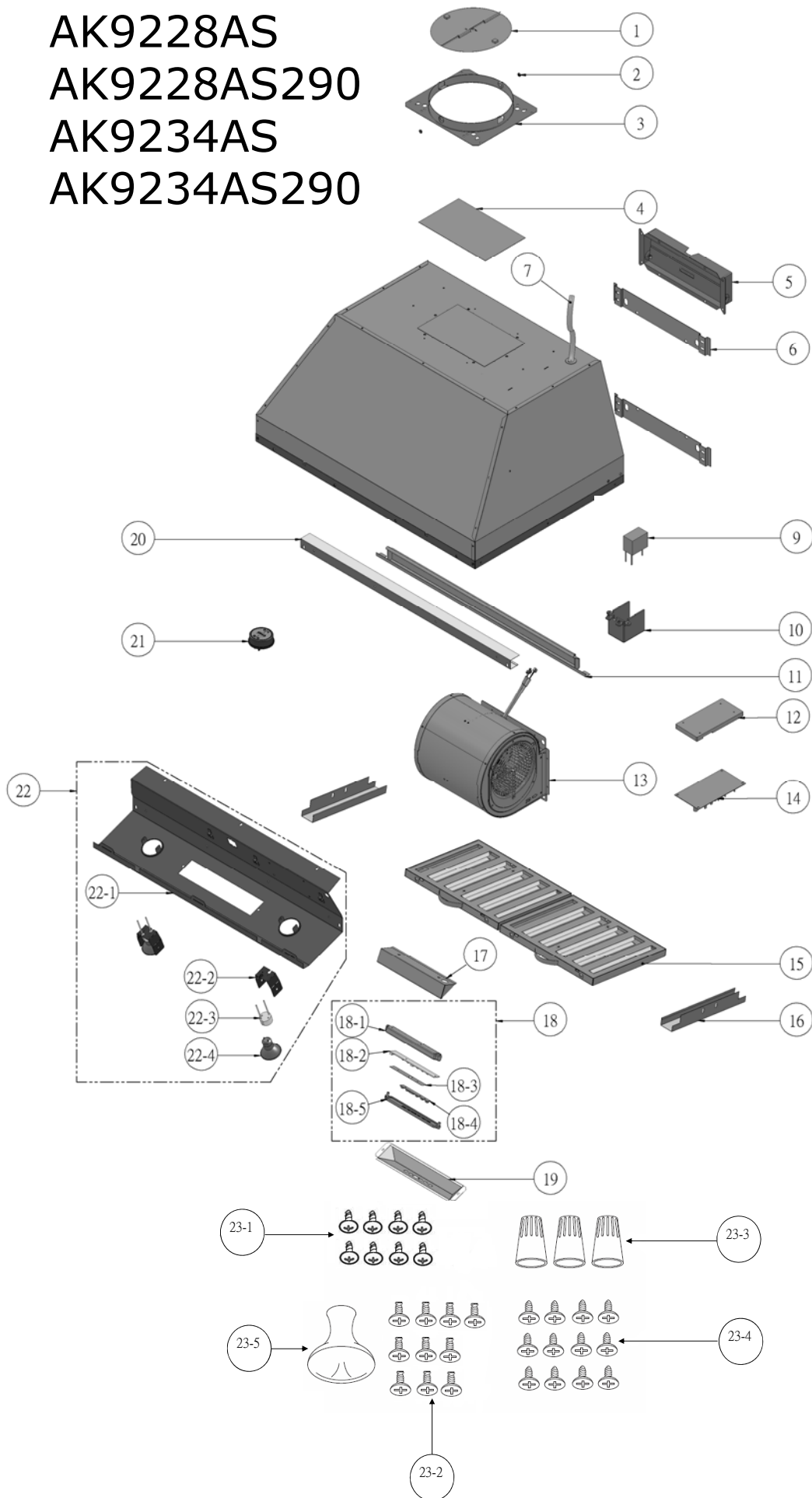


AK9228AS  
AK9228AS290  
AK9234AS  
AK9234AS290



**AK9228AS /290, AK9234AS /290**

Ref #	Part #	Description	Qty.
1	54060010	Damper, 8" Round	1
2	56230001	Trim, Rubber	2
3	54050073	Collar, 8" Round	1
4	52170054	Cover, Top	1
5	54060011	Collar, 3 1/4" x 10" w/Damper	1
6	54140146	Bracket, Motor Mount	2
7	11030020	Wires, Electrical	1
9	12050028	Capacitor (600 CFM)	1
9	12050030	Capacitor (290 CFM)	1
10	54200011	Box, Junction	1
11	56130015	Tray, Residue (AK9228AS)	1
11	56130016	Tray, Residue (AK9234AS)	1
12	54140049	Bracket, Control Board	1
13	12120070	Motor (600 CFM)	1
13	12120073	Motor (290 CFM)	1
14	11010052	Control Board	1
15	50210013	Filter, Baffle, Large	2
16	50210017	Filter, Baffle, Small (AK9234AS)	1
16-1	54140147	Spring, Baffle Filter (AK9234AS x 3)	2
17	54140148	Bracket, Switch	1
18	11000077	Switch Assembly	1
18-1	52170033	Housing, Switch	1
18-2	11010035	Board, Switch	1
18-3	52110015	Membrane, Switch	1
18-4	50400009	Button, Switch	1
18-5	56210049	Cover, Switch Housing	1
18-6	11030045	Wiring, Switch	1
19	52170055	Cover, Switch Assembly	1

20	50140099	Panel, Interior (AK9228AS)	1
20	50140100	Panel, Interior (AK9234AS)	1
21	14000005	Remote Control	1
21-1	15000007	Battery, A23, 12V	1
21-2	52180001	Holder, Remote Control	1
21-3	56210029	Battery Cover, Remote Control	1
22	50500122	Assembly, Light Panel (AK9228AS)	1
22	50500123	Assembly, Light Panel (AK9234AS)	1
22-1	50110110	Panel, Light (AK9228AS)	1
22-1	50110111	Panel, Light (AK9234AS)	1
22-2	54140050	Bracket, Light Socket	2
22-3	12100041	Socket, Light	2
22-4	Z0B-0023	Bulb, Halogen, GU-10, 35W	2
22-5	12060002	Connector, Socket	2
23	05000088	Hardware Packet	1
23-1	01070009	Screw, M4 x 6mm	8
23-2	01020024	Screw, 3/16 x 3/8	10
23-3	15000002	Wire Nut	3
23-4	01020025	Screw, #8 x 1/2"	12
23-5	15000004	Suction Cup	1

NOV12.0201