

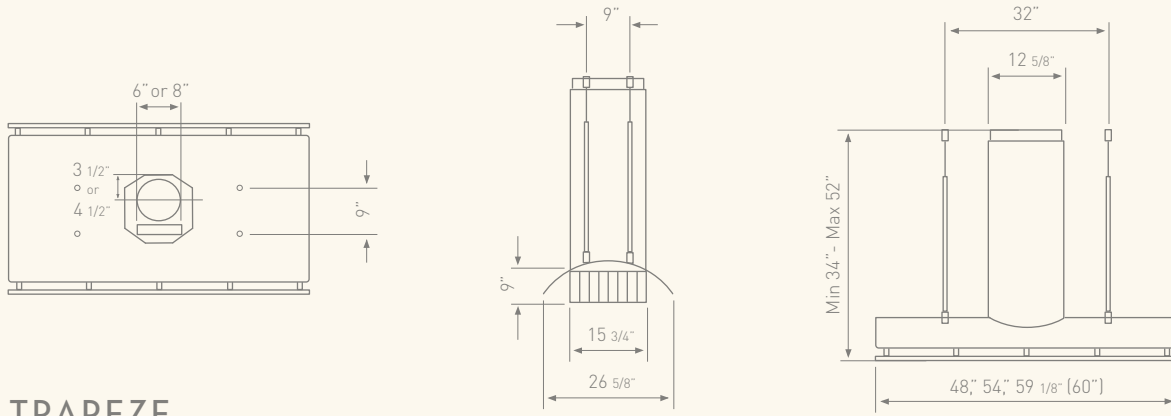
CHENG COLLECTION

TRAPEZE

Our first island hood, the light and airy Trapeze is a streamlined reprieve from its bulky, conventional counterparts. Using a delicate suspension structure, the Trapeze seems to float in midair. With directional halogen lighting and a graceful, slow-curve canopy, the Trapeze is more than a focal point—it's a statement.



CHENG COLLECTION



TRAPEZE

ISLAND

| MODEL | CTP-E48SX | CTP-E54SX | CTP-E60SX |
|-------------------------------------|------------------------|------------------------|------------------------|
| SIZE | 48" | 54" | 60" |
| NET WIDTH | 48" | 54" | 59 1/8" |
| PERFORMANCE* | | | |
| Internal Blower (CBI-600A) | 600 CFM | 600 CFM | 600 CFM |
| External Blower (CBE-1000) | 1000 CFM | 1000 CFM | 1000 CFM |
| Internal Blower Sones | 7 | 7 | 7 |
| COLOR | | | |
| Stainless Steel | SS | SS | SS |
| FEATURES | | | |
| Controls | Electronic Touch | Electronic Touch | Electronic Touch |
| Speed Levels | 3 | 3 | 3 |
| Delay Off | Yes | Yes | Yes |
| Lighting | Halogen, 50W x 4 | Halogen, 50W x 4 | Halogen, 50W x 4 |
| Dual Level Lighting | Yes | Yes | Yes |
| Filters | Baffle x 2 | Baffle x 2 | Baffle x 2 |
| Recirculating | No | No | No |
| Duct Cover Extension | Yes, Up to 12' Ceiling | Yes, Up to 12' Ceiling | Yes, Up to 12' Ceiling |
| DUCT SPECIFICATIONS | | | |
| Internal Blower - Vertical | 6" | 6" | 6" |
| Internal Blower - Horizontal | NA | NA | NA |
| External Blower - Vertical | 8" - 10"*** | 8" - 10"*** | 8" - 10"*** |
| External Blower - Horizontal | NA | NA | NA |
| AC INPUT | 120V - 60HZ | 120V - 60HZ | 120V - 60HZ |
| AC POWER | | | |
| Internal Blower | Max. 520W at 4.33 Amps | Max. 520W at 4.33 Amps | Max. 520W at 4.33 Amps |
| External Blower | Max. 900W at 7.5 Amps | Max. 900W at 7.5 Amps | Max. 900W at 7.5 Amps |
| OPTIONAL ACCESSORIES | | | |
| Extension Kit (up to a 12' ceiling) | Z1C-00TP | Z1C-00TP | Z1C-00TP |

HEIGHT ACCOMODATIONS

Vertical Ducting

Min. ceiling height 8'2". Hood mounted 28" above cooking surface; 64" from floor.

Max ceiling height 10'4". Hood mounted 36" above cooking surface; 72" from floor.

*Blowers not included with hoods. Order blower separately. **Run 10" round duct work from external blower to the ceiling bracket. Before duct work passes through ceiling bracket, use a 10" to 8" transition adapter (included) and run 8" duct work.