

ZEPHYR



INTRODUCING:

NEXT GENERATION EUROPA +

DCBL^e
SUPPRESSION SYSTEM™



ZEPHYR VENTILATION

ARC CHENG ESSENTIALS





DISCOVER ZEPHYR

We're driven by the idea that everything in the home is an opportunity for personal expression.

That's why we've raised the kitchen hood to its rightful place as a distinctive design element that also delivers powerful ventilation performance.

We work with some of the world's best designers—those who find constant inspiration in the world around them and whose belief in everyday beauty inspires their unrivaled collections.



ZEPHYR

LOOK BEYOND THE EXPECTED, AND TOGETHER
WE'LL DISCOVER NEW POSSIBILITIES.





WHAT'S INSIDE

Discover Zephyr's unique and diverse portfolio of design-focused, performance-driven range hoods. Inside this catalog you'll find ideas that will capture your imagination as well as all the necessary information to help you choose the perfect range hood for your kitchen.

01 // ARC COLLECTION

- Horizon8-9
- Plane10-11
- Layers Wall 12-13
- Duo Wall 14-15
- Edge16-17
- Surface Wall 18-19
- Tilt20-21
- Layers Island22-23
- Duo Island24-25
- Surface Island26-27
- Customization28

02 // CHENG COLLECTION

- Padova32-33
- Okeanito34-35
- Trapeze Island36-37
- Cache38-39

DESIGNER: FU-TUNG CHENG

Fu-Tung Cheng inspires millions with his timeless ideas that ascend to greater heights of beauty and performance.

DESIGNER: ROBERT BRUNNER

Arc Collection's sleek, minimalist aesthetic is as much about clean air as it is about clean lines in range hood design.

03 // ESSENTIALS COLLECTION

- Verona46-47
- Modena Wall48-49
- Milano Wall50-51
- Venezia52-53
- Angolo54-55
- Anzio Wall56-57
- Firenze58-59
- Roma Wall60-61
- Savona62-63
- Modena Island64-65
- Milano Island66-67
- Napoli Island68-69
- Torino Island70-71
- Anzio Island72-73
- Roma Island74-75
- Genova76-77
- Terazzo78-79
- Gust80-81
- Pyramid / Tamburo82-83
- Sorrento84-85
- Typhoon86-87
- Hurricane / Cyclone88-89
- Breeze I / Breeze II90-91
- Tempest I92-93
- Tempest II94-95
- Twister / Tornado I96-97
- Tornado II / Tornado III98-99
- Cypress / Willow100-101

Learn more about DCBL Suppression™

PAGE 44



INTRODUCING DCBL SUPPRESSION SYSTEM™

Next Generation Europa range hoods have been upgraded with a sound-suppressing, performance-enhancing, technology-embracing package we call DCBL Suppression™.

DCBL Suppression™ technology increases CFM output by 30% on working speeds, while cutting noise emission by more than half.

All Next Generation Europa range hoods use up to 80% less energy, while working harder for you. For example, we include the industry's first dimmable light-emitting diodes (LED) light bulbs: Bloom™ HD LEDs, which have a 68-year lifetime and come with a 3-year warranty.

Do your part to reduce energy consumption with DCBL Suppression™, and upgrade your expectations of what a range hood can do.

EUROPA, POWER, BREEZE

Essentials Collection range hoods make cooking more enjoyable and provide the greatest value in kitchen ventilation and design.



Pure Geometry. Quiet Performance. Clean Air.

We get it. You don't compromise on your home. Your cuisine. Your décor. And there will be no compromise on your range hood. That's our vision. Working together with industrial designer Robert Brunner, we've paired elegantly minimalist structures with ground breaking engineering to write a new chapter in range hood design—one that's as much about clean air as it is about clean lines.

ARC
COLLECTION

BEHIND THE DESIGN



Transformative. Revolutionary. Game Changing.

Statements like these have followed Robert Brunner throughout his career—initially as founder of Apple’s first industrial design group, later as a Pentagram partner and today as co-founder of Ammunition Design Group.

His passion for fusing lifestyle with innovation is evident in his work as designer of the Fuego outdoor grill, the BEATS headset in collaboration with Dr. Dre—and now, as the designer behind the Arc Collection.



EXCEPTIONAL FEATURES UNIQUE TO THE ARC COLLECTION

- CleanAir puts indoor air quality first with quiet, automatic air that refreshes at regular daily intervals
- Custom design options for glass surface colors, patterns and fine woods (see details on page 28)
- Sleek memory touch glass controls, remote control and tri-level halogen lighting
- Five-minute auto delay-off
- Comprehensive blower options: 600-CFM internal blower and 1000-CFM in-line or external blower
- Optional recirculating kit for ductless venting
- A 290-CFM blower for balance and energy savings in well-insulated homes

An ingenious remote control device, worthy of the finest countertops, commands power and light from as far as fifteen feet away.



HORIZON wall

A dramatic, low-profile free fall just inches from the kitchen wall sweeps upward in a thirty-degree lift. So begins Robert Brunner's minimalist range hood with enticing customization options.

- Choose striking red, black or white glass on stainless steel
- Select etched patterns—a leaf motif on white glass or flowers on black glass—applied to the removable front panel that doubles as easy blower access
- Complete the picture with a duo of halogen lamps

MODEL	SIZE	INTERNAL		IN-LINE/EXTERNAL	
		Max. CFM	Max. Sones	Max. CFM	Max. Sones
AHZ-M90ABX	36"	290 / 600	3.2 / 6	1000	NA
AHZ-M90ARX	36"	290 / 600	3.2 / 6	1000	NA
AHZ-M90AWX	36"	290 / 600	3.2 / 6	1000	NA



FEATURES

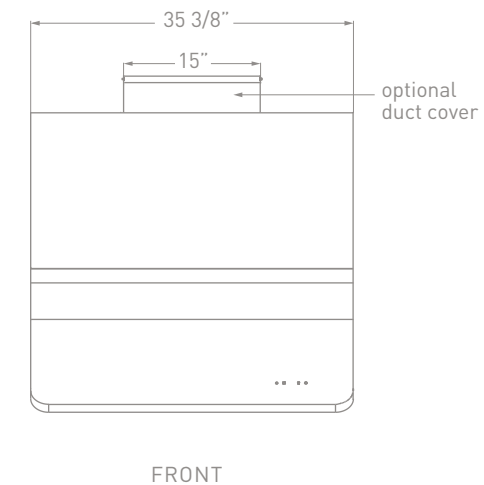
CONTROLS	Memory Touch Glass
SPEED LEVELS	3
AUTO DELAY-OFF	Yes
CLEANAIR FUNCTION	Yes*
REMOTE CONTROL	Yes, RF
LIGHTING	Halogen, 20W x 2
TRI-LEVEL LIGHTING	Yes
FILTERS	Decorative Mesh x 3
RECIRCULATING	Yes
DUCT COVER EXTENSION	Yes

DUCT SPECIFICATIONS

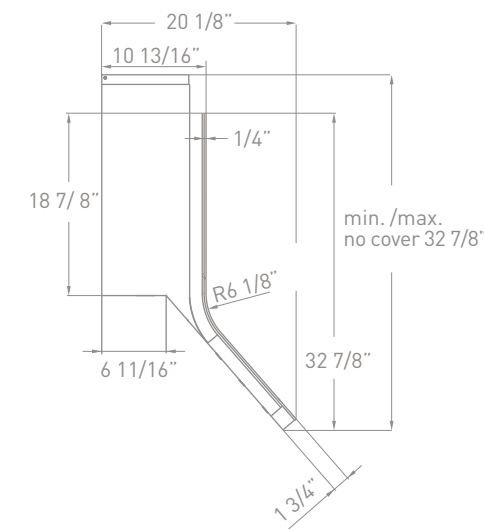
VERTICAL - INTERNAL	6"
HORIZONTAL - INTERNAL	6"
VERTICAL/HORIZONTAL IN-LINE/EXTERNAL	10" to 8" **

OPTIONAL ACCESSORIES

RECIRCULATING KIT	ZRC-00HZ
DUCT COVER EXTENSION KIT, SHORT (8' - 9' CEILING)	Z1C-00HZ
DUCT COVER EXTENSION KIT, LONG (9' - 10' CEILING)	Z1C-01HZ
BLACK GLASS, FLOWER PATTERN	AHG-00BL
WHITE GLASS, LEAF PATTERN	AHG-00WH



FRONT



SIDE

*CleanAir turns your hood on once every four hours for 10 minutes on speed one.

**10" round duct connects to external and in-line blower. Must transition from 10" to 8" before duct passes through ceiling. A 10" to 8" adapter is included with the external and in-line blowers.

PLANE wall

With its steep incline of intersecting planes from designer Robert Brunner, this range hood makes a powerfully simple geometric statement that's understated, but never hidden.

- Select red, black or white glass on stainless steel
- Underscore the contemporary profile with a trio of halogen lamps

MODEL	SIZE	INTERNAL		IN-LINE/EXTERNAL	
		Max. CFM	Max. Sones	Max. CFM	Max. Sones
APN-M90ABX	36"	290 / 600	3.2 / 6	1000	NA
APN-M90AWX	36"	290 / 600	3.2 / 6	1000	NA
APN-M90ARX	36"	290 / 600	3.2 / 6	1000	NA



FEATURES

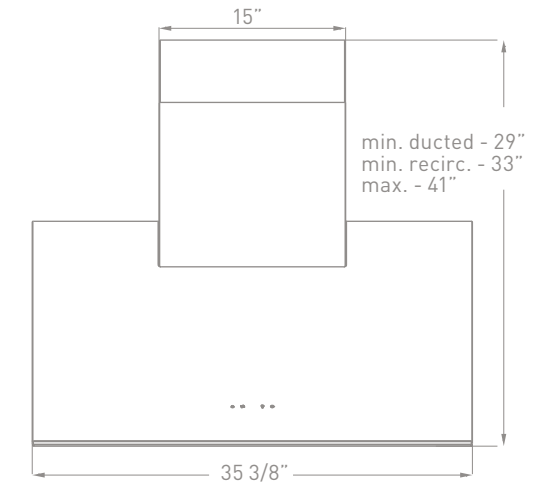
CONTROLS	Memory Touch Glass
SPEED LEVELS	3
AUTO DELAY-OFF	Yes
CLEANAIR FUNCTION	Yes*
REMOTE CONTROL	Yes, RF
LIGHTING	Halogen, 20W x 3
TRI-LEVEL LIGHTING	Yes
FILTERS	Decorative Mesh x 1
RECIRCULATING	Yes
DUCT COVER EXTENSION	Yes

DUCT SPECIFICATIONS

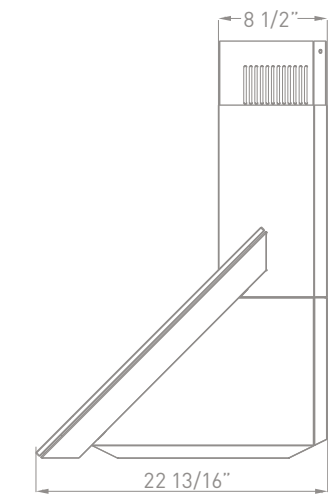
VERTICAL - INTERNAL	6"
HORIZONTAL	NA
VERTICAL IN-LINE/EXTERNAL	10" to 8" **

OPTIONAL ACCESSORIES

RECIRCULATING KIT	ZRC-00PN
DUCT COVER EXTENSION KIT (12' CEILING)	Z1C-00PN



FRONT



SIDE



*CleanAir turns your hood on once every four hours for 10 minutes on speed one.

**10" round duct connects to external and in-line blower. Must transition from 10" to 8" before duct passes through ceiling. A 10" to 8" adapter is included with the external and in-line blowers.

LAYERS wall

A streamlined fusion of black or white glass and stainless steel form the eponymous layers in Robert Brunner's reimagining of a classic range hood form.

- Select black or white glass layered on stainless steel
- Slim profile and a quartet of halogens enhance the floating effect unique to this wall-mounted hood
- Convenience and indoor air quality take precedence with five-minute auto delay-off and CleanAir

MODEL	SIZE	INTERNAL		IN-LINE/EXTERNAL	
		Max. CFM	Max. Sones	Max. CFM	Max. Sones
ALA-M90ABX	36"	290 / 600	3.2 / 6	1000	NA
ALA-M90AWX	36"	290 / 600	3.2 / 6	1000	NA
ALA-E42ABX	42"	290 / 600	3.2 / 6	1000	NA
ALA-E42AWX	42"	290 / 600	3.2 / 6	1000	NA



FEATURES

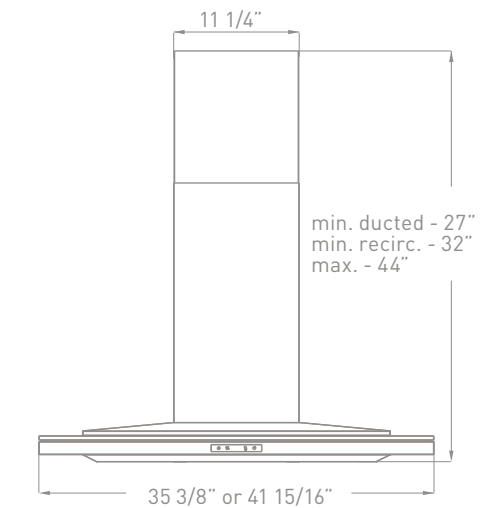
CONTROLS	Memory Touch Glass
SPEED LEVELS	3
AUTO DELAY-OFF	Yes
CLEANAIR FUNCTION	Yes*
REMOTE CONTROL	Yes, RF
LIGHTING	Halogen, 20W x 4
TRI-LEVEL LIGHTING	Yes
FILTERS	Decorative Mesh x 2
RECIRCULATING	Yes
DUCT COVER EXTENSION	Yes

DUCT SPECIFICATIONS

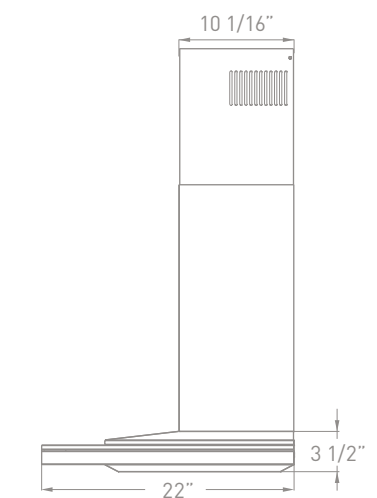
VERTICAL - INTERNAL	6"
HORIZONTAL	NA
VERTICAL IN-LINE/EXTERNAL	10" to 8" **

OPTIONAL ACCESSORIES

RECIRCULATING KIT	ZRC-00LA
DUCT COVER EXTENSION KIT (12' CEILING)	Z1C-00LA



FRONT



SIDE



*CleanAir turns your hood on once every four hours for 10 minutes on speed one.

**10" round duct connects to external and in-line blower. Must transition from 10" to 8" before duct passes through ceiling. A 10" to 8" adapter is included with the external and in-line blowers.

DUO wall

A visionary duo of materials marries the warmth of wood with the cool factor of stainless steel in a fresh—and welcome—creation for the contemporary kitchen.

- Optional charcoal or wenge finish on poplar wood to complement your cabinetry, or a low-profile steel-only option
- Choose wood in either 5/8" or 1 5/8" profile height
- Dual halogens highlight the work below

MODEL	SIZE	INTERNAL		IN-LINE/EXTERNAL	
		Max. CFM	Max. Sones	Max. CFM	Max. Sones
ADU-M90ASX	36"	290 / 600	3.2 / 6	1000	NA



FEATURES

CONTROLS	Memory Touch Glass
SPEED LEVELS	3
AUTO DELAY-OFF	Yes
CLEANAIR FUNCTION	Yes*
REMOTE CONTROL	Yes, RF
LIGHTING	Halogen, 20W x 2
TRI-LEVEL LIGHTING	Yes
FILTERS	Decorative Mesh x 3
RECIRCULATING	Yes
DUCT COVER EXTENSION	Yes

DUCT SPECIFICATIONS

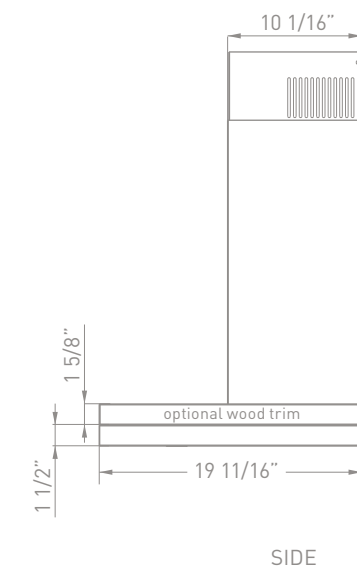
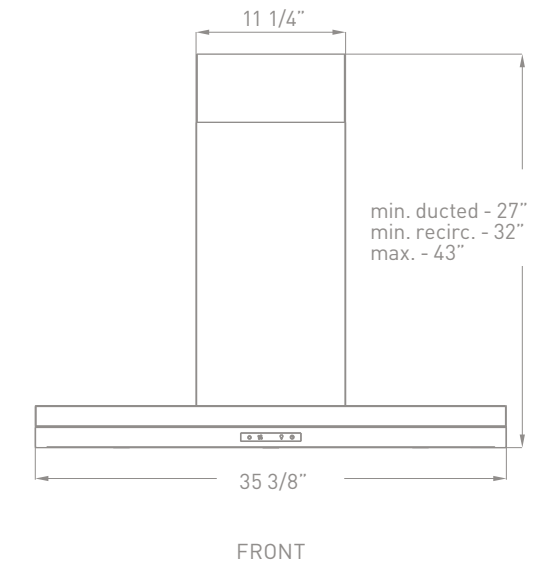
VERTICAL - INTERNAL	6"
VERTICAL IN-LINE/EXTERNAL	10" to 8" **

OPTIONAL ACCESSORIES

RECIRCULATING KIT	ZRC-00LA
DUCT COVER EXTENSION KIT (12' CEILING)	Z1C-00LA

WOOD TRIM OPTIONS

CHARCOAL - 5/8"	AEW-00CH
CHARCOAL - 1 5/8"	ADW-00CH
WENGE (BROWN) - 5/8"	AEW-00BR
WENGE (BROWN) - 1 5/8"	ADW-00BR



*CleanAir turns your hood on once every four hours for 10 minutes on speed one.

**10" round duct connects to external and in-line blower. Must transition from 10" to 8" before duct passes through ceiling. A 10" to 8" adapter is included with the external and in-line blowers.

EDGE wall

Dimensionality gets an edge with this seamlessly finished, beveled stainless steel canopy, inspired by a wing's distinctive airfoil shape and perfectly befitting a ventilation device.

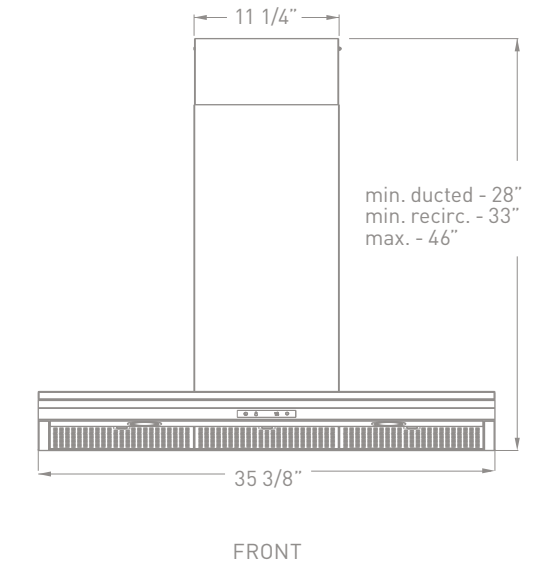
- Optional charcoal or wenge finish in poplar wood to complement your cabinetry, or a low-profile steel-only option
- Choose wood in either 5/8" or 1 5/8" profile height
- Integrated black glass controls, twin halogen lights and stainless steel filters lend a decidedly professional air

MODEL	SIZE	INTERNAL		IN-LINE/EXTERNAL	
		Max. CFM	Max. Sones	Max. CFM	Max. Sones
AED-M90ASX	36"	290 / 600	3.2 / 6	1000	NA



FEATURES

CONTROLS	Memory Touch Glass
SPEED LEVELS	3
AUTO DELAY-OFF	Yes
CLEANAIR FUNCTION	Yes*
REMOTE CONTROL	Yes, RF
LIGHTING	Halogen, 20W x 2
TRI-LEVEL LIGHTING	Yes
FILTERS	Decorative Mesh x 3
RECIRCULATING	Yes
DUCT COVER EXTENSION	Yes



DUCT SPECIFICATIONS

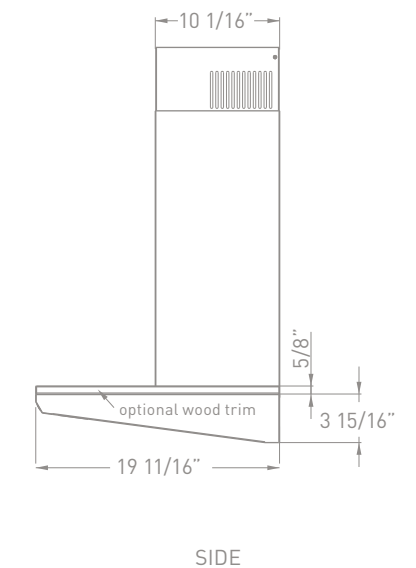
VERTICAL - INTERNAL	6"
HORIZONTAL	NA
VERTICAL IN-LINE/EXTERNAL	10" to 8" **

OPTIONAL ACCESSORIES

RECIRCULATING KIT	ZRC-00LA
DUCT COVER EXTENSION KIT (12' CEILING)	Z1C-00LA

WOOD TRIM OPTIONS

CHARCOAL - 5/8"	AEW-00CH
WENGE (BROWN) - 5/8"	AEW-00BR



*CleanAir turns your hood on once every four hours for 10 minutes on speed one.

**10" round duct connects to external and in-line blower. Must transition from 10" to 8" before duct passes through ceiling. A 10" to 8" adapter is included with the external and in-line blowers.

SURFACE wall

For minimalism with depth and contrast, dark glass lends dramatic flair to the contemporary stainless steel kitchen. No angles here. Just clean, straight lines.

- Stainless steel chimney bisected by a slim plane of transparent gray glass
- Dual halogen lights illuminate the activity on the surface below

MODEL	SIZE	INTERNAL		IN-LINE/EXTERNAL	
		Max. CFM	Max. Sones	Max. CFM	Max. Sones
ASU-M90ASX	36"	290 / 600	3.2 / 6	1000	NA
ASU-E42ASX	42"	290 / 600	3.2 / 6	1000	NA



FEATURES

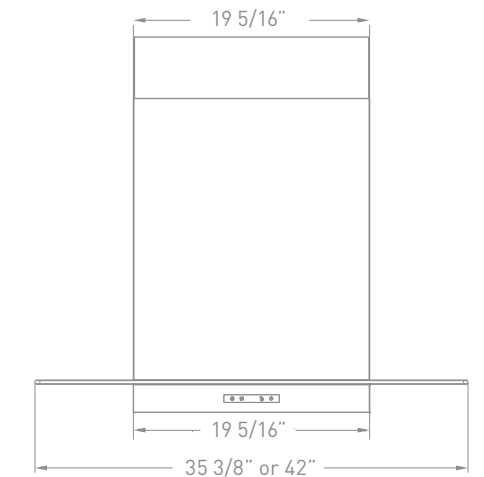
CONTROLS	Memory Touch Glass
SPEED LEVELS	3
AUTO DELAY-OFF	Yes
CLEANAIR FUNCTION	Yes*
REMOTE CONTROL	Yes, RF
LIGHTING	Halogen, 20W x 2
TRI-LEVEL LIGHTING	Yes
FILTERS	Decorative Mesh x 1
RECIRCULATING	Yes
DUCT COVER EXTENSION	Yes

DUCT SPECIFICATIONS

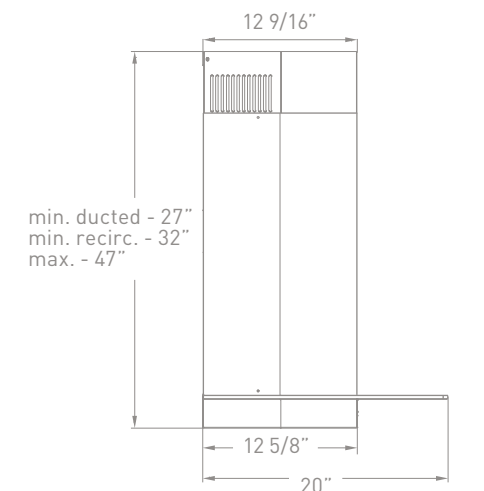
VERTICAL - INTERNAL	6"
HORIZONTAL	NA
VERTICAL IN-LINE/EXTERNAL	10" to 8" **

OPTIONAL ACCESSORIES

RECIRCULATING KIT	ZRC-00SU
DUCT COVER EXTENSION KIT (12' CEILING)	Z1C-00SU



FRONT



SIDE



*CleanAir turns your hood on once every four hours for 10 minutes on speed one.

**10" round duct connects to external and in-line blower. Must transition from 10" to 8" before duct passes through ceiling. A 10" to 8" adapter is included with the external and in-line blowers.

TILT wall

A contemporary sculpture for the kitchen, Tilt's sextet of subtly angled panels meets in a layered array to form a hinged range hood canopy like no other.

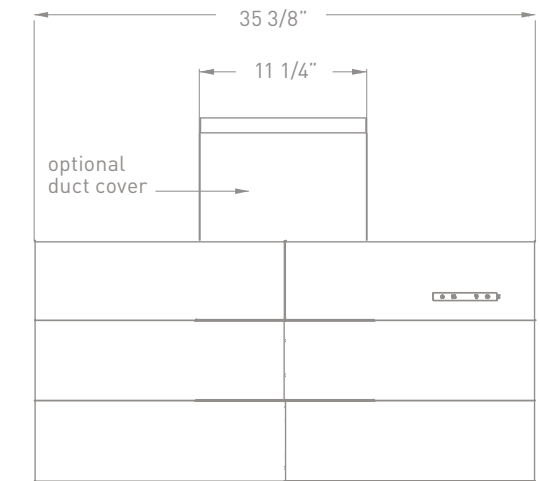
- Available in stainless steel or sleek powder-coated black
- Front panel lifts for convenient blower access
- A duo of halogen lamps provide the perfect accent to this powerful statement

MODEL	SIZE	INTERNAL		IN-LINE/EXTERNAL	
		Max. CFM	Max. Sones	Max. CFM	Max. Sones
ATI-M90ABX	36"	290 / 600	3.2 / 6	1000	NA
ATI-M90ASX	36"	290 / 600	3.2 / 6	1000	NA



FEATURES

CONTROLS	Memory Touch Glass
SPEED LEVELS	3
AUTO DELAY-OFF	Yes
CLEANAIR FUNCTION	Yes*
REMOTE CONTROL	Yes, RF
LIGHTING	Halogen, 20W x 2
TRI-LEVEL LIGHTING	Yes
FILTERS	Metal Mesh x 1
RECIRCULATING	Yes
DUCT COVER EXTENSION	Yes



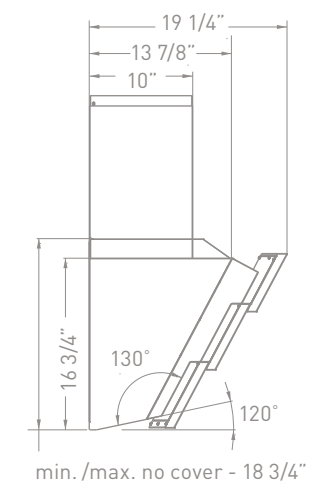
FRONT

DUCT SPECIFICATIONS

VERTICAL - INTERNAL	6"
HORIZONTAL - INTERNAL	6"
VERTICAL/HORIZONTAL IN-LINE/EXTERNAL	10" to 8" **

OPTIONAL ACCESSORIES

RECIRCULATING KIT	ZRC-00HZ
DUCT COVER EXTENSION KIT, SHORT (8' - 9' CEILING)	Z1C-00TI
DUCT COVER EXTENSION KIT, LONG (9' - 10' CEILING)	Z1C-01TI



SIDE



*CleanAir turns your hood on once every four hours for 10 minutes on speed one.

**10" round duct connects to external and in-line blower. Must transition from 10" to 8" before duct passes through ceiling. A 10" to 8" adapter is included with the external and in-line blowers.

LAYERS island

Robert Brunner's bold take on the classic island range hood form is a streamlined fusion of glass and stainless steel that lends new meaning to leading edge.

- Select black or white glass layered on stainless steel
- Slim profile and quartet of halogens enhance the floating effect
- Optional duct cover extensions accommodate contemporary loft-style ceilings up to 12'

MODEL	SIZE	INTERNAL		IN-LINE/EXTERNAL	
		Max. CFM	Max. Sones	Max. CFM	Max. Sones
ALL-M90ABX	36"	290 / 600	3.2 / 6	1000	NA
ALL-M90AWX	36"	290 / 600	3.2 / 6	1000	NA
ALL-E42ABX	42"	290 / 600	3.2 / 6	1000	NA
ALL-E42AWX	42"	290 / 600	3.2 / 6	1000	NA

FEATURES

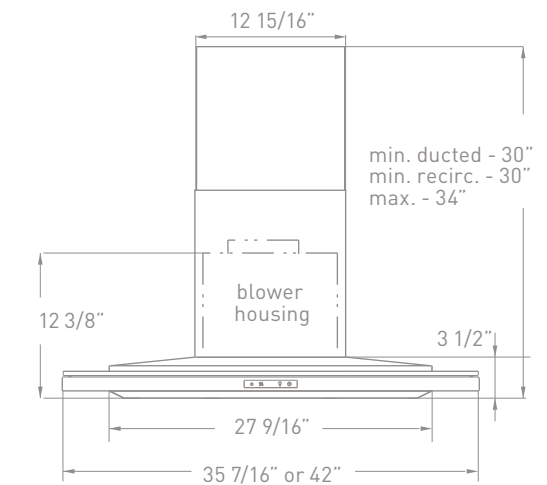
CONTROLS	Memory Touch Glass
SPEED LEVELS	3
AUTO DELAY-OFF	Yes
CLEANAIR FUNCTION	Yes*
REMOTE CONTROL	Yes, RF
LIGHTING	Halogen, 20W x 4
TRI-LEVEL LIGHTING	Yes
FILTERS	Decorative Mesh x 2
RECIRCULATING	Yes
DUCT COVER EXTENSION	Yes

DUCT SPECIFICATIONS

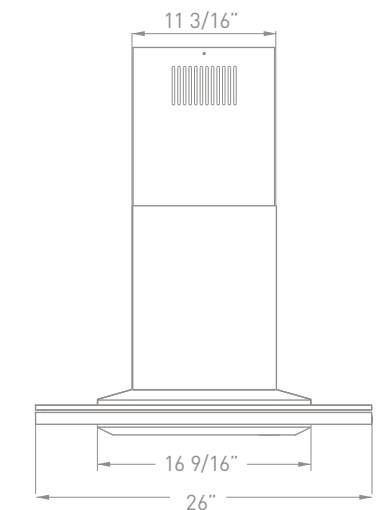
VERTICAL - INTERNAL	6"
HORIZONTAL	NA
VERTICAL IN-LINE/EXTERNAL	10" to 8" **

OPTIONAL ACCESSORIES

RECIRCULATING KIT	ZRC-00LL
DUCT COVER EXTENSION KIT, SHORT (8 1/2' - 9 1/2' CEILING)	Z1C-00LL
DUCT COVER EXTENSION KIT, LONG (9 1/2'-12' CEILING)	Z1C-01LL



FRONT



SIDE



*CleanAir turns your hood on once every four hours for 10 minutes on speed one.

**10" round duct connects to external and in-line blower. Must transition from 10" to 8" before duct passes through ceiling. A 10" to 8" adapter is included with the external and in-line blowers.

DUO island

Ideal for those who welcome natural accents into their contemporary home, Duo is an island range hood that joins wood with stainless steel.

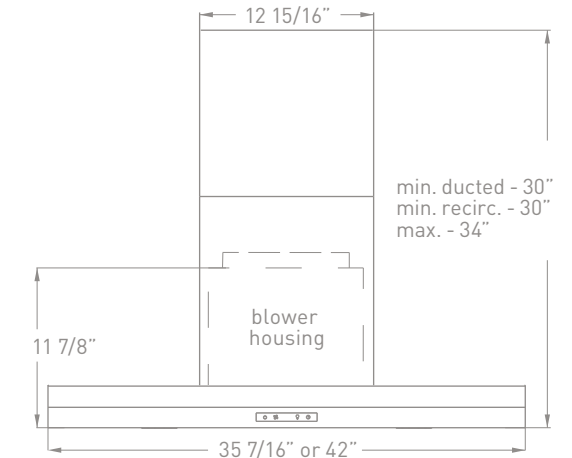
- Complement your cabinetry with an optional charcoal or wenge finish on poplar wood, or a low-profile, steel-only option
- Dual pairs of halogens underscore the cantilevered design
- Optional duct cover extensions accommodate contemporary loft-style ceilings up to 12'

MODEL	SIZE	INTERNAL		IN-LINE/EXTERNAL	
		Max. CFM	Max. Sones	Max. CFM	Max. Sones
ADL-M90ASX	36"	290 / 600	3.2 / 6	1000	NA
ADL-E42ASX	42"	290 / 600	3.2 / 6	1000	NA



FEATURES

CONTROLS	Memory Touch Glass
SPEED LEVELS	3
AUTO DELAY-OFF	Yes
CLEANAIR FUNCTION	Yes*
REMOTE CONTROL	Yes, RF
LIGHTING	Halogen, 20W x 4
TRI-LEVEL LIGHTING	Yes
FILTERS	Decorative Mesh x 3
RECIRCULATING	Yes
DUCT COVER EXTENSION	Yes



FRONT

DUCT SPECIFICATIONS

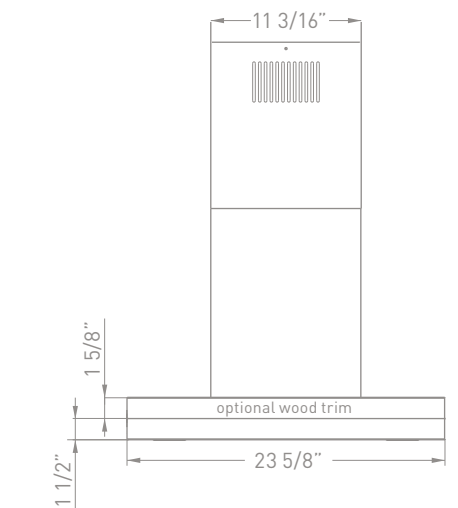
VERTICAL - INTERNAL	6"
VERTICAL IN-LINE/EXTERNAL	10" to 8" **

OPTIONAL ACCESSORIES

RECIRCULATING KIT	ZRC-00LL
DUCT COVER EXTENSION KIT, SHORT (8 1/2' - 9 1/2' CEILING)	Z1C-00LL
DUCT COVER EXTENSION KIT, LONG (9 1/2' - 12' CEILING)	Z1C-01LL

WOOD TRIM OPTIONS

CHARCOAL - 15/8", 90CM	AUW-00CH
CHARCOAL - 15/8", 42"	AUW-01CH
WENGE (BROWN) - 15/8", 90CM	AUW-00BR
WENGE (BROWN) - 15/8", 42"	AUW-01BR



SIDE



*CleanAir turns your hood on once every four hours for 10 minutes on speed one.

**10" round duct connects to external and in-line blower. Must transition from 10" to 8" before duct passes through ceiling. A 10" to 8" adapter is included with the external and in-line blowers.

SURFACE island

No angles here. Just clean, straight lines bisected by a slim plane of transparent gray glass. For minimalism with depth and contrast, dark glass always lends drama to the contemporary stainless steel kitchen. Four halogen lights and a remote control put this island range hood's reflective play of power and light right in your hands.

- Dark glass adds a dramatic quality to the contemporary stainless steel kitchen
- Four halogen lights illuminate the activity on the surface below

MODEL	SIZE	INTERNAL		IN-LINE/EXTERNAL	
		Max. CFM	Max. Sones	Max. CFM	Max. Sones
ASL-E42ASX	42"	290 / 600	3.2 / 6	1000	NA
ASL-E48ASX	48"	290 / 600	3.2 / 6	1000	NA



FEATURES

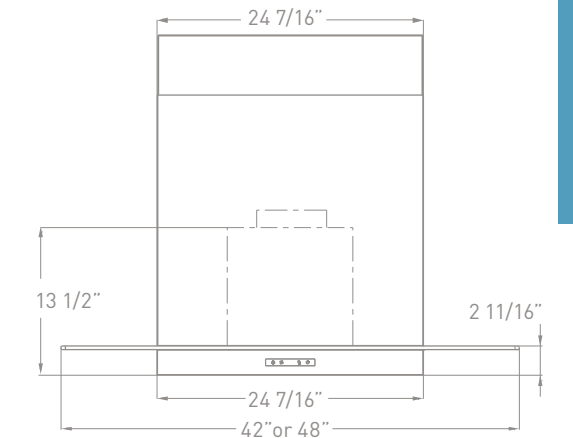
CONTROLS	Memory Touch Glass
SPEED LEVELS	3
AUTO DELAY-OFF	Yes
CLEANAIR FUNCTION	Yes*
REMOTE CONTROL	Yes, RF
LIGHTING	Halogen, 20W x 4
TRI-LEVEL LIGHTING	Yes
FILTERS	Decorative Mesh x 2
RECIRCULATING	Yes
DUCT COVER EXTENSION	Yes

DUCT SPECIFICATIONS

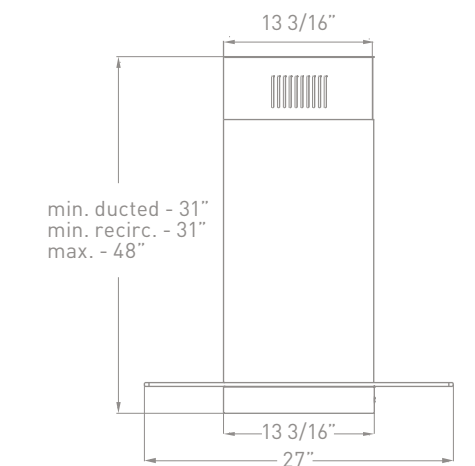
VERTICAL - INTERNAL	6"
HORIZONTAL	NA
VERTICAL IN-LINE/EXTERNAL	10" to 8" **

OPTIONAL ACCESSORIES

RECIRCULATING KIT	ZRC-00SL
DUCT COVER EXTENSION KIT (12' CEILING)	Z1C-00SL



FRONT



SIDE



*CleanAir turns your hood on once every four hours for 10 minutes on speed one.

**10" round duct connects to external and in-line blower. Must transition from 10" to 8" before duct passes through ceiling. A 10" to 8" adapter is included with the external and in-line blowers.

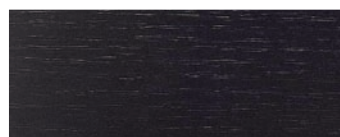
CUSTOM DESIGN OPTIONS

Glass. Steel. Wood. And air. Minimalism is more than a box. It's elemental.

And it doesn't have to be all right angles. That's the inspiration behind our newest collection: simple geometry organized in exciting new ways. And classic materials crafted to afford a host of customization options that give homeowners, designers and contractors unprecedented flexibility.

FINE WOOD OPTIONS

Select poplar wood in charcoal or wenge finish to complement your cabinetry, or a low-profile, steel-only option. (Note: wood attachments have separate model numbers from hoods.)



CHARCOAL FINISH

DUO ISLAND - AUW-00CH (1 5/8", 90CM), AUW-01CH (1 5/8", 42")
 DUO WALL - AEW-00CH (5/8"), ADW-00CH (1 5/8")
 EDGE WALL - AEW-00CH (5/8"), ADW-00CH (1 5/8")



WENGE FINISH

DUO ISLAND - AUW-00BR (1 5/8", 90CM), AUW-01BR (1 5/8", 42")
 DUO WALL - AEW-00BR (5/8"), ADW-00BR (1 5/8")
 EDGE WALL - AEW-00BR (5/8"), ADW-00BR (1 5/8")

GLASS SURFACE OPTIONS

Select black, white or striking red glass on stainless steel.



BLACK GLASS

PLANE WALL - APN-M90ABX
 LAYERS WALL - ALA-M90ABX (36"), ALA-E42ABX (42")
 LAYERS ISLAND - ALL-M90ABX (36"), ALL-E42ABX (42")
 HORIZON WALL - AHZ-M90ABX



WHITE GLASS

PLANE WALL - APN-M90AWX
 LAYERS WALL - ALA-M90AWX (36"), ALA-E42AWX (42")
 LAYERS ISLAND - ALL-M90AWX (36"), ALL-E42AWX (42")
 HORIZON WALL - AHZ-M90AWX



RED GLASS

HORIZON WALL - AHZ-M90ARX
 PLANE WALL - APN-M90ARX

ETCHED PATTERN OPTIONS

Select etched patterns—a leaf motif on white glass or flowers on black glass—applied to the removable front panel.



LEAF PATTERN

HORIZON WALL - AHG-00WH



FLOWER PATTERN

HORIZON WALL - AHG-00BL

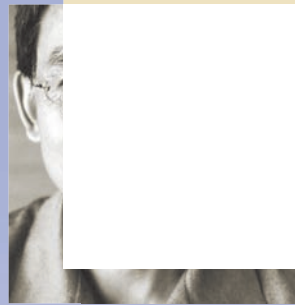


Individual. Elegant. Inspired.

The industry's first designer range hood collection, the Cheng Collection was inspired by Fu-Tung Cheng's passion and artistry. One of the most influential kitchen and bath figures of the past 50 years, Fu-Tung's aesthetic embodies Zephyr's philosophy that design should evoke emotion.

CHENG COLLECTION
Fu Tung Cheng

BEHIND THE DESIGN



Reaching Greater Heights in Beauty and Design

At Zephyr, great design is never an afterthought or a luxury. It's a way of life. That's why we've partnered with world-renowned designer Fu-Tung Cheng to create a visionary collection that fuses elegant design with powerful performance. Learn more about Cheng Design by visiting chengdesign.com

30



Photo credit: Matthew Millman

CHENG COLLECTION

Fu-Tung Cheng



CHENG COLLECTION

31

CHENG COLLECTION

Each Cheng Collection hood is designed to complement today's most prestigious cooking ranges with distinctive features you won't find in any other hood collection:

- A marriage of professional-grade hood performance with designer aesthetic
- Customizable options that enhance your personal style
- A choice of internal or external blowers
- Cooking and ambiance lighting to accentuate your stunning kitchen design

Photo credit: Matthew Millman

PADOVA wall

The world's first customizable range hood is ready for the materials of your choice. Whether you prefer mosaic tile, ribbed glass, copper, zinc, stainless steel or the infinite possibilities of Italian or Japanese plaster, you'll have a hand in making Padova a signature addition to any home.

- Create your own custom canopy using colors and materials that coordinate with any kitchen design
- Choose your canvas canopy in stainless steel or brass to help highlight your kitchen decor
- Ribbed glass side panels set the mood with gentle ambient light to complement the dual-level halogens used when cooking

MODEL	SIZE	INTERNAL		IN-LINE/EXTERNAL	
		Max. CFM	Max. Sones	Max. CFM	Max. Sones
CPA-E42ASX	42"	600	9	1000	NA
CPA-E48ASX	48"	600	9	1000	NA
CPA-E54ASX	54"	600	9	1000	NA



FEATURES

CONTROLS	Electronic Touch
SPEED LEVELS	3
LIGHTING	Halogen, 50W x 2 Incandescent 40W x 2
DUAL LEVEL LIGHTING	Yes, Halogen
FILTERS	Baffle x 2 Baffle x 3
RECIRCULATING	No
DUCT COVER EXTENSION	No

DUCT SPECIFICATIONS

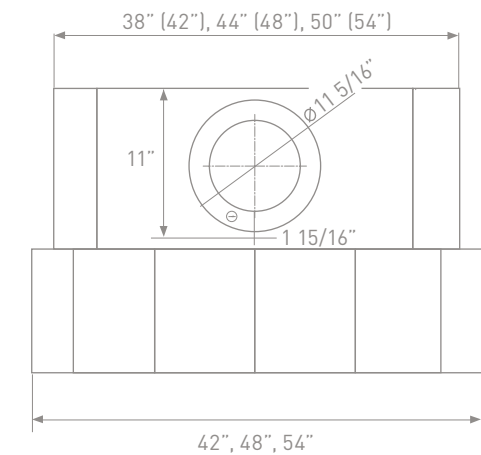
VERTICAL - INTERNAL	8"
HORIZONTAL - INTERNAL	3 1/4" x 10"
VERTICAL - EXTERNAL	10" to 8" *
HORIZONTAL - EXTERNAL	10" to 8" *

CANOPY COLOR

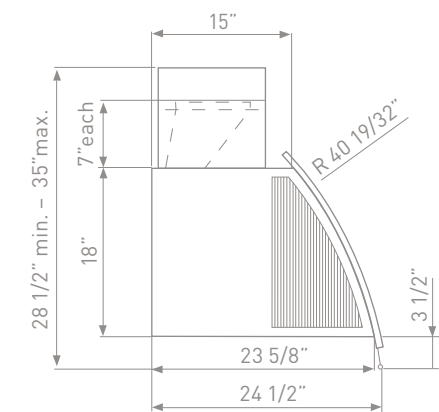
STAINLESS STEEL	
CPA-E42ASX	CPC-0012
CPA-E48ASX	CPC-0018
CPA-E54ASX	CPC-0015
BRASS	
CPA-E42ASX	CPC-0112
CPA-E48ASX	CPC-0118
CPA-E54ASX	CPC-0115

OPTIONAL ACCESSORIES

COPPER VENEER	
CPA-E42ASX	CDO-0142
CPA-E48ASX	CDO-0148
CPA-E54ASX	CDO-0154
STAINLESS STEEL VENEER	
CPA-E42ASX	CDO-0242
CPA-E48ASX	CDO-0248
CPA-E54ASX	CDO-0254



TOP



SIDE

*Run 10" round duct work from external blower to the ceiling bracket. Before duct work passes through the ceiling bracket, use a 10" to 8" transition (included) and run 8" duct work.

OKEANITO wall

In perfect parts vision, whimsy and discipline, the Okeanito never goes unnoticed. This refined, sweeping hood balances softness and fluidity with striking linear elements to create a timeless design. Perforated side panels allow the Okeanito to radiate gentle ambient light, infusing its surroundings with a sense of grace and calm.

- Bring a glow to your kitchen with low light streaming through perforated side panels
- Illuminate your cooking area with dual-level halogen lighting

MODEL	SIZE	INTERNAL		IN-LINE/EXTERNAL	
		Max. CFM	Max. Sones	Max. CFM	Max. Sones
COK-E36SX	36"	290 / 600	3.2 / 6	1000	NA
COK-E42SX	42"	290 / 600	3.2 / 6	1000	NA
COK-E48SX	48"	290 / 600	3.2 / 6	1000	NA



FEATURES

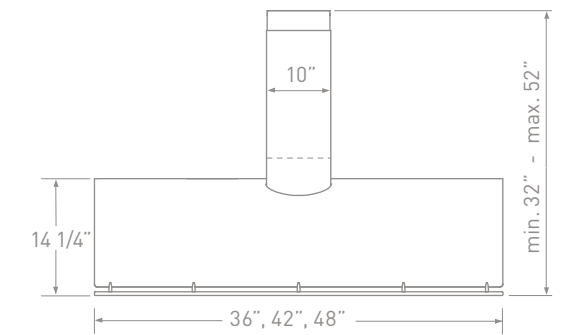
CONTROLS	Electronic Touch
SPEED LEVELS	3
AUTO DELAY-OFF	Yes
LIGHTING	Halogen, 50W x 2 Incandescent 40W x 2
DUAL LEVEL LIGHTING	Yes, Halogen
FILTERS	
COK-E36SX	Baffle x 1
COK-E42SX	Baffle x 1
COK-E48SX	Baffle x 2
RECIRCULATING	No
DUCT COVER EXTENSION	Yes, Up to 12' Ceiling

DUCT SPECIFICATIONS

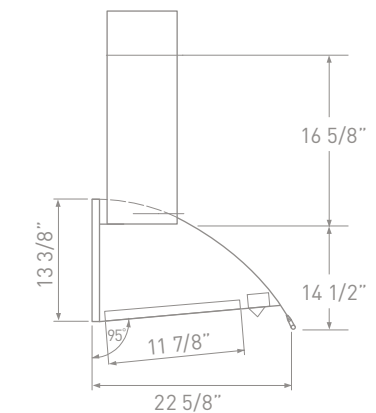
VERTICAL - INTERNAL	6"
VERTICAL - EXTERNAL	10" to 8" *
HORIZONTAL	NA

OPTIONAL ACCESSORIES

DUCT COVER EXTENSION KIT	Z1C-00OK
--------------------------	----------



FRONT



SIDE



*10" round duct connects to external and in-line blower. Must transition from 10" to 8" before duct passes through ceiling.

A 10" to 8" adapter is included with the external and in-line blowers.

TRAPEZE island

As the premier Cheng island hood, the light and airy Trapeze is a streamlined reprieve from its bulky, conventional counterparts. Using a delicate suspension structure, the Trapeze seems to float in midair. With directional halogen lighting and a graceful, slow-curve canopy, the Trapeze is more than a focal point—it's a bold statement.

- Make a statement with the elegant, curvilinear design
- Illuminate your cooking area with directional halogen lighting

MODEL	SIZE	INTERNAL		IN-LINE/EXTERNAL	
		Max. CFM	Max. Sones	Max. CFM	Max. Sones
CTP-E48SX	48"	290 / 600	3.2 / 6	1000	NA
CTP-E54SX	54"	290 / 600	3.2 / 6	1000	NA
CTP-E60SX	60"	290 / 600	3.2 / 6	1000	NA



FEATURES

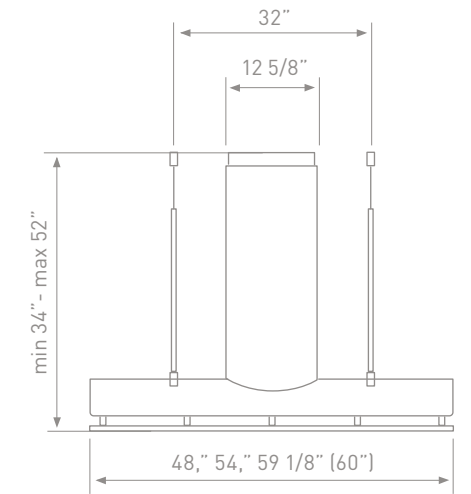
CONTROLS	Electronic Touch
SPEED LEVELS	3
AUTO DELAY-OFF	Yes
LIGHTING	Halogen, 50W x 4
DUAL LEVEL LIGHTING	Yes
FILTERS	Baffle x 2
RECIRCULATING	No
DUCT COVER EXTENSION	Yes, Up to 12' Ceiling

DUCT SPECIFICATIONS

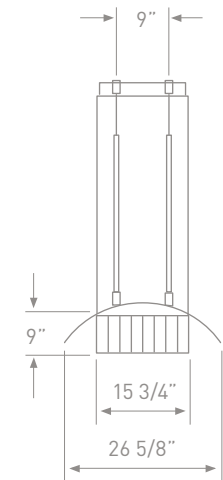
VERTICAL - INTERNAL	6"
VERTICAL - EXTERNAL	10" to 8" *
HORIZONTAL	NA

OPTIONAL ACCESSORIES

DUCT COVER EXTENSION KIT	Z1C-00TP
--------------------------	----------



FRONT



SIDE



*10" round duct connects to external and in-line blower. Must transition from 10" to 8" before duct passes through ceiling.

A 10" to 8" adapter is included with the external and in-line blowers.

CACHE under-cabinet

Another stylish new concept from Fu-Tung Cheng is the Cache with its subdued design that eschews clutter and infuses your kitchen with ordered elegance. Beneath its sweeping, understated hood and signature utensil rail, the Cache hides a spacious storage compartment—perfect for housing herbs, spices, and other culinary necessities.

- The collection's first under-cabinet design offers simplicity and practicality
- Herbs, spices and culinary devices are within reach, yet out of sight

MODEL	SIZE	INTERNAL		IN-LINE/EXTERNAL	
		Max. CFM	Max. Sones	Max. CFM	Max. Sones
CCA-E30ASX	30"	290 / 600	3.2 / 6	1000	NA
CCA-E36ASX	36"	290 / 600	3.2 / 6	1000	NA
CCA-E48ASX	48"	290 / 600	3.2 / 6	1000	NA

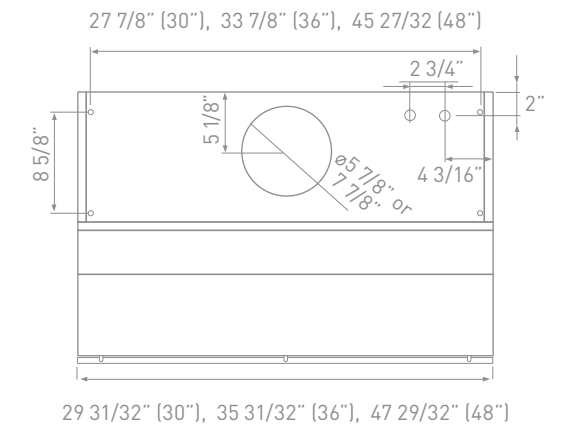


FEATURES

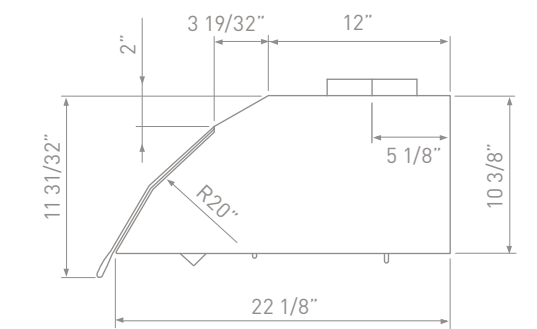
CONTROLS	Electronic Touch
SPEED LEVELS	3
AUTO DELAY-OFF	Yes
LIGHTING	
CCA-E30ASX	Halogen, 50W x 2
CCA-E36ASX	Halogen, 50W x 2
CCA-E48ASX	Halogen, 50W x 4
DUAL LEVEL LIGHTING	Yes
FILTERS	
CCA-E30ASX	Baffle x 2
CCA-E36ASX	Baffle x 2
CCA-E48ASX	Baffle x 3
RECIRCULATING	No
DUCT COVER EXTENSION	NA

DUCT SPECIFICATIONS

VERTICAL - INTERNAL	6"
VERTICAL - EXTERNAL	10" to 8" *
HORIZONTAL - INTERNAL	3 1/4" x 10"



TOP



SIDE

*10" round duct connects to external and in-line blower. Must transition from 10" to 8" before duct passes through ceiling.

A 10" to 8" adapter is included with the external and in-line blowers.





*Essentials is more than just the basics.
It's the building blocks of a great kitchen.*

Turn to the Essentials Collection for premier design and performance options in any range hood category. From filterless under-cabinet hoods to outdoor options to the Next Generation Europa, Essentials is the perfect place to start when planning your kitchen project. Embrace your love of cooking and increase your enjoyment when preparing meals at home by choosing a range hood that fits your style and budget.

ESSENTIALS

INTRODUCING

Next Generation Europa + DCBL Suppression System™

Since 2001, Zephyr's Europa Collection has been the standard by which the industry measures itself. Combining European design with American performance, Europa is the best of all worlds. A part of the Essentials Collection, the Next Generation Europa symbolizes our unyielding dedication to progress, to innovative design and using technology to deliver better products.



Our newly revamped Essentials Collection features the very best in kitchen ventilation. From the new Next Generation Europa to the original filterless Power Series range hoods, Zephyr covers your needs.

▶ *New Models*

WALL

- ▶ Verona *Next Generation*
- ▶ Modena
- Milano (S) / Milano (G)
- Venezia
- ▶ Angolo *Europa Classics*
- ▶ Anzio
- Firenze
- Roma
- Savona

ISLAND

- ▶ Modena *Next Generation*
- Milano (S) / Milano (G)
- Napoli
- Torino *Europa Classics*
- ▶ Anzio
- Roma

UNDER-CABINET

- Genova *Europa Classics*
- ▶ Terazzo
- ▶ Gust
- Pyramid / Tamburo
- Sorrento (*Downdraft*)
- Typhoon *Power Series*
- Hurricane / Cyclone
- Breeze I / Breeze II *Breeze Series*

PRO-STYLE / POWER PACK

- Tempest I *Pro-Style*
- Tempest II
- Twister / Tornado I (*Power Pack*)
- Tornado II / Tornado III (*Power Pack*)
- Cypress / Willow *Outdoor*



NEXT GENERATION EUROPA[™] WITH DCBL[™] SUPPRESSION SYSTEM[™]



HOW DO YOU IMPROVE UPON THE CLASSICS?

When Zephyr introduced the Europa Collection to the US market in 2001, it proved to be the first of its kind. We brought style and performance together and challenged the perception that ventilation was an afterthought.

Through the years, the Europa Collection has been our core strength. That's why it's fitting to elevate the classic Europa designs into our Next Generation Europa on the tenth-year anniversary of its creation. Looking to add value and evolve performance to unprecedented heights, the Next Generation Europa, once again, redefines what a range hood can be—while setting the innovation bar higher than ever before.

MORE POWER. LESS NOISE.

DCBL Suppression System[™] increases your range hood's torque at speed one, also known as working speed, to match the most typical cooking styles. By focusing on working speed, it allows us to deliver the needed ventilation for cooks using one or two burners to prepare a meal. On working speed, DCBL Suppression System[™] generates 250-CFM at 0.8 sones—enough power to handle a 10,000 BTU and one 15,000 BTU working on maximum capacity. In short, you get the CFM you need but none of the noise you would expect.

MORE FEATURES. MORE ENERGY EFFICIENCY.

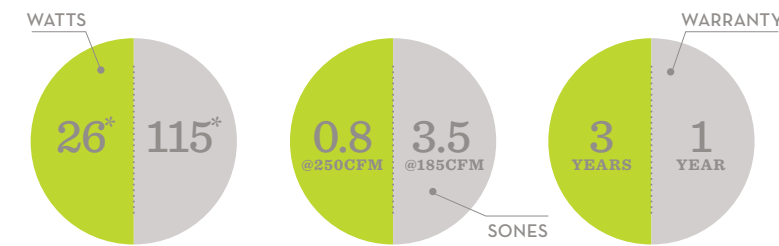
Next Generation Europa range hoods have been upgraded with features that make them the quietest, best performing and most advanced models available today. Features like the first-ever range hood direct current, brushless motor, high-powered Bloom[™] HD LED light bulbs, electronic LCD controls and our fully integrated on-board computer optimize the range hood's performance.

Despite the addition of such advanced electronic technology, these new features actually help reduce the hood's energy consumption by up to 77% over traditional AC motor range hoods.

All Next Generation Europa range hoods are designed with an integrated PC board that enhances the hood's performance and helps limit the effect of increased static pressure resulting from out-of-scope duct runs.

DCBL[™] MOTOR

● DC MOTOR VS ● AC MOTOR



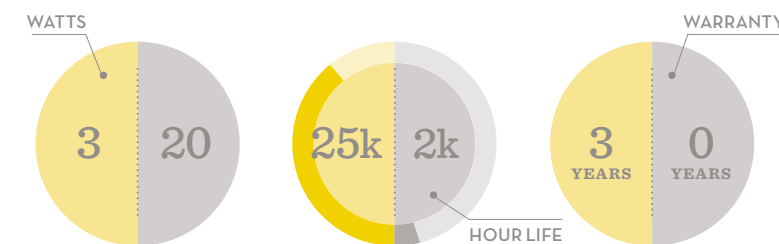
DC MOTOR	AC MOTOR
▶ 26 WATTS*	115 WATTS*
▶ 0.8 SONE @ 250 CFM	3.5 SONES @ 185 CFM
8" ROUND OUTLET	6" ROUND OUTLET
COMPUTERIZED MOTOR CONTROLLER	NO CONTROLLER
SOPHISTICATED PC BOARD	STANDARD PC BOARD
▶ 3-YEAR WARRANTY	1-YEAR WARRANTY

WHAT'S INSIDE DCBL SUPPRESSION SYSTEM[™]

Direct current brushless (DCBL[™]) motor technology—direct current, brushless motors work on a much cleaner and more stable energy source that causes less wear-and-tear on your range hood's motor. DCBL's[™] use of a permanent magnet allows electricity to be conducted without the use of brushes or metal contacts that produce heat and friction—the main perpetrators of parts failure, noise and wasted energy. DCBL's[™] permanent magnet design also enables us to increase the motor's torque at lower speeds so that your range hood can move more air, while operating quietly on working speed settings.

BLOOM[™] HD LED

● BLOOM[™] VS ● HALOGEN



BLOOM [™] HD LED	HALOGEN
▶ 3 WATTS	20-50 WATTS
▶ 3200K COLOR TEMPERATURE	3000K COLOR TEMPERATURE
25,000 HOUR LIFE	2,000 HOUR LIFE
COOL TO THE TOUCH	DANGEROUSLY HOT
UNIFORM LIGHT DISTRIBUTION	HOT-SPOTS
▶ 3-YEAR WARRANTY	NO WARRANTY

BLOOM[™] HD LED LIGHT BULBS

With a 68-year lifetime, Bloom[™] HD LED light bulbs are an industry breakthrough and unmatched in performance, light emission and value. Designed in partnership with professional camera lens designers, Bloom[™] HD LED light bulbs amplify a 3-watt diode into 20-watt halogen-like cooking light that evenly distributes the radiance on the cooking surface below.



*Compared to typical chimney range hood.

VERONA wall

Verona is topped with a straight glass canopy that also serves as an ambiance setting LED display. Select the Cloud White, Deep Blue and Amber color options to best match your kitchen's décor, or choose the Demo mode that displays all three settings in 10-second intervals. A Next Generation Europa model, Verona includes Zephyr's DCBL Suppression System™ with Bloom™ LED light bulbs and LCD display controls.

MODEL	SIZE	INTERNAL		IN-LINE/EXTERNAL	
		Max. CFM	Max. Sones	Max. CFM	Max. Sones
ZVO-E30AG	30"	715	5.8	NA	NA
ZVO-M90AG	36"	715	5.8	NA	NA



NEXT GENERATION EUROPA

FEATURES

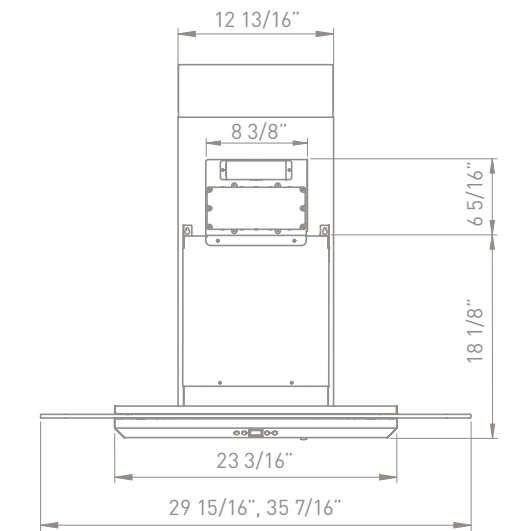
CONTROLS	Electronic LCD
SPEED LEVELS	5 + Burst
AUTO DELAY-OFF	Yes
CLEANAIR FUNCTION	Yes*
LIGHTING	Bloom™ LED 3W x 3
DUAL-LEVEL LIGHTING	Yes
FILTERS	Aluminum Mesh
RECIRCULATING	Yes
DUCT COVER EXTENSION	Yes, Up to 12' Ceiling

DUCT SPECIFICATIONS

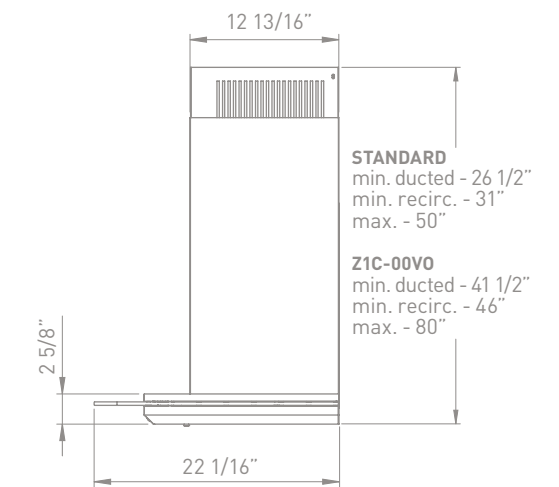
VERTICAL - INTERNAL	8"
HORIZONTAL - INTERNAL	NA

OPTIONAL ACCESSORIES

RECIRCULATING KIT	ZRC-00VO
DUCT COVER EXTENSION	Z1C-00VO



FRONT



SIDE



All Next Generation Europa range hoods are equipped with DCBL Suppression™ technology, including Bloom™ HD LED light bulbs. To learn more, visit us at zephyronline.com.

*CleanAir turns your hood on once every four hours for 10 minutes on speed one.

MODENA wall

Resembling a floating island made of steel and glass, Modena houses the most advanced Bloom™ HD LED light bulbs and electronic LCD controls within its one-inch stainless steel canopy. Nestled discreetly between the chimney and its outer ring, Modena's glass canopy adds a sense of lightness and augments the range hood's symmetry and low-profile design. A study in clean modern simplicity, Modena comes pre-loaded with DCBL Suppression™ technology so its performance will be as stunning as its looks.

MODEL	SIZE	INTERNAL		IN-LINE/EXTERNAL	
		Max. CFM	Max. Sones	Max. CFM	Max. Sones
ZMO-E30AS	30"	715	5.8	NA	NA
ZMO-M90AS	36"	715	5.8	NA	NA



NEXT GENERATION EUROPA

FEATURES

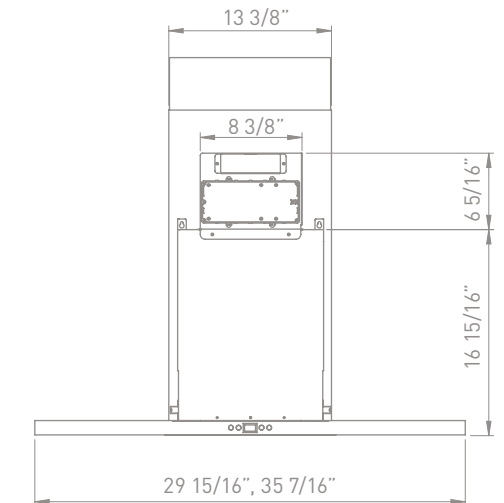
CONTROLS	Electronic LCD
SPEED LEVELS	5 + Burst
AUTO DELAY-OFF	Yes
CLEANAIR FUNCTION	Yes*
LIGHTING	Bloom™ LED 3W x 4
DUAL-LEVEL LIGHTING	Yes
FILTERS	Aluminum Mesh
RECIRCULATING	Yes
DUCT COVER EXTENSION	Yes, Up to 12' Ceiling

DUCT SPECIFICATIONS

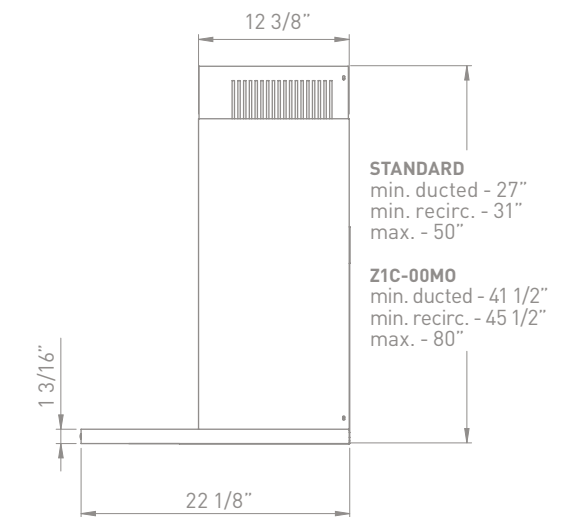
VERTICAL - INTERNAL	8"
HORIZONTAL - INTERNAL	NA

OPTIONAL ACCESSORIES

RECIRCULATING KIT	ZRC-00MO
DUCT COVER EXTENSION	Z1C-00MO



FRONT



SIDE



All Next Generation Europa range hoods are equipped with DCBL Suppression™ technology, including Bloom™ HD LED light bulbs. To learn more, visit us at zephyronline.com.

*CleanAir turns your hood on once every four hours for 10 minutes on speed one.

MILANO wall

One of the original curved-glass canopy range hoods, Milano has become an icon by virtue of its timeless design. Now upgraded with Zephyr's DCBL Suppression System™, Milano takes range hood detail and performance to higher grounds. Outfitted with three Bloom™ HD LED light bulbs and electronic LCD controls, Milano is as relevant today as it was the day we introduced it in 2001. Canopies available in clear and smoked-gray glass, and stainless steel.

MODEL	SIZE	INTERNAL		IN-LINE/EXTERNAL	
		Max. CFM	Max. Sones	Max. CFM	Max. Sones
ZMI-M90BG	36"	715	5.8	NA	NA
ZMI-M90BS	36"	715	5.8	NA	NA



NEXT GENERATION EUROPA

FEATURES

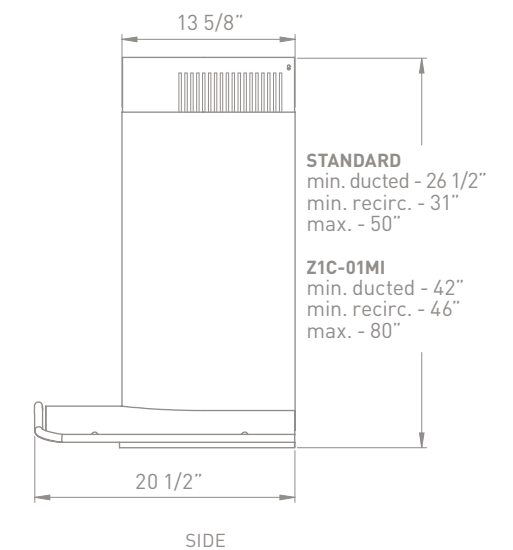
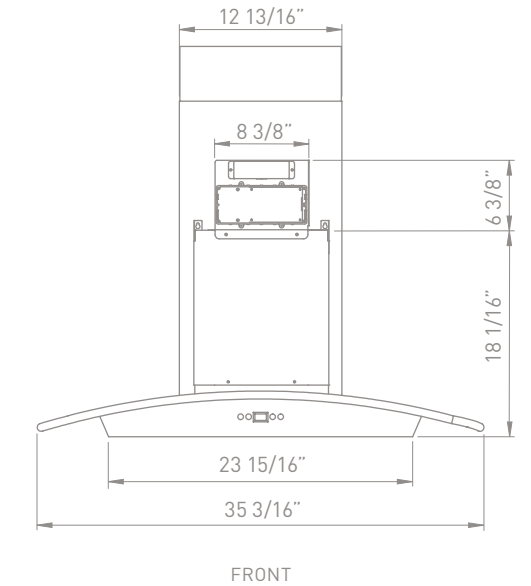
CONTROLS	Electronic LCD
SPEED LEVELS	5 + Burst
AUTO DELAY-OFF	Yes
CLEANAIR FUNCTION	Yes*
LIGHTING	Bloom™ LED 3W x 3
DUAL-LEVEL LIGHTING	Yes
FILTERS	Aluminum Mesh
RECIRCULATING	Yes
DUCT COVER EXTENSION	Yes, Up to 12' Ceiling

DUCT SPECIFICATIONS

VERTICAL - INTERNAL	8"
HORIZONTAL - INTERNAL	NA

OPTIONAL ACCESSORIES

RECIRCULATING KIT	ZRC-00MI
DUCT COVER EXTENSION	Z1C-01MI
SMOKED-GRAY GLASS CANOPY	ZMG-02GY



All Next Generation Europa range hoods are equipped with DCBL Suppression™ technology, including Bloom™ HD LED light bulbs. To learn more, visit us at zephyronline.com.

*CleanAir turns your hood on once every four hours for 10 minutes on speed one.

52

VENEZIA wall

A timeless and classic design, Venezia's formidable pyramid design now houses Zephyr's DCBL Suppression System™ and elevates this ageless range hood to unparalleled levels of performance. With four Bloom™ HD LED light bulbs, Venezia's 24-inch deep capture area is fully illuminated with warm halogen-caliber light, while remaining cool to the touch on high or low settings.

MODEL	SIZE	INTERNAL		IN-LINE/EXTERNAL	
		Max. CFM	Max. Sones	Max. CFM	Max. Sones
ZVE-E30BS	30"	715	5.8	NA	NA
ZVE-E36BS	36"	715	5.8	NA	NA
ZVE-E42BS	42"	715	5.8	NA	NA



NEXT GENERATION EUROPA

FEATURES

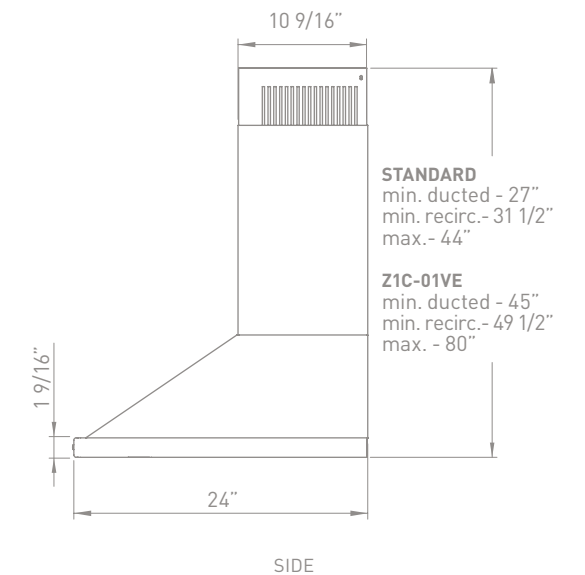
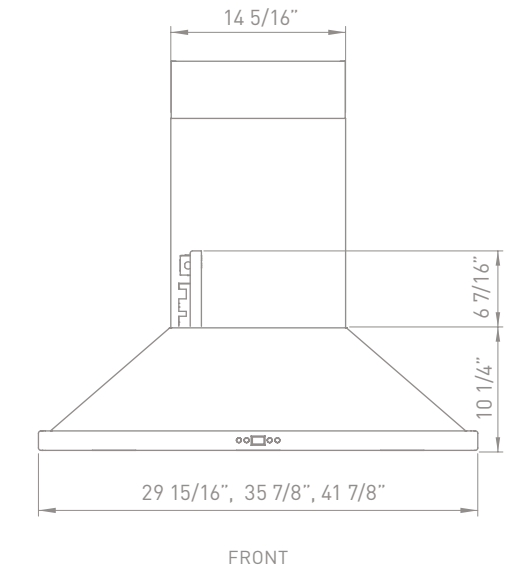
CONTROLS	Electronic LCD
SPEED LEVELS	5 + Burst
AUTO DELAY-OFF	Yes
CLEANAIR FUNCTION	Yes*
LIGHTING	
ZVE-E30BS	Bloom™ LED 3W x 3
ZVE-E36BS	Bloom™ LED 3W x 4
ZVE-E42BS	Bloom™ LED 3W x 4
DUAL-LEVEL LIGHTING	Yes
FILTERS	Aluminum Mesh
RECIRCULATING	Yes
DUCT COVER EXTENSION	Yes, Up to 12' Ceiling

DUCT SPECIFICATIONS

VERTICAL - INTERNAL	8"
HORIZONTAL - INTERNAL	NA

OPTIONAL ACCESSORIES

RECIRCULATING KIT	
ZVE-E30BS	ZRC-00VE
ZVE-E36BS	ZRC-01VE
ZVE-E42BS	ZRC-01VE
DUCT COVER EXTENSION	
ZVE-E30BS	Z1C-01VE
ZVE-E36BS	Z1C-01VE
ZVE-E42BS	Z1C-01VE



All Next Generation Europa range hoods are equipped with DCBL Suppression™ technology, including Bloom™ HD LED light bulbs. To learn more, visit us at zephyronline.com.

*CleanAir turns your hood on once every four hours for 10 minutes on speed one.

ANGOLO wall

Angolo's downward facing, angled canopy brings elegance to this fun and airy range hood. Part of the Europa Classics, Angolo comes equipped with Electronic LED controls, a 600-CFM motor and rear-mounted dual-level halogen bulbs. So if your design calls for a range hood with high-level performance and features, but not the mass of an all-stainless design, Angolo fits the bill.

MODEL	SIZE	INTERNAL		IN-LINE/EXTERNAL	
		Max. CFM	Max. Sones	Max. CFM	Max. Sones
ZAG-E30AG	30"	290 / 600	2.8 / 6	NA	NA
ZAG-M90AG	36"	290 / 600	2.8 / 6	NA	NA



EUROPA CLASSICS

FEATURES

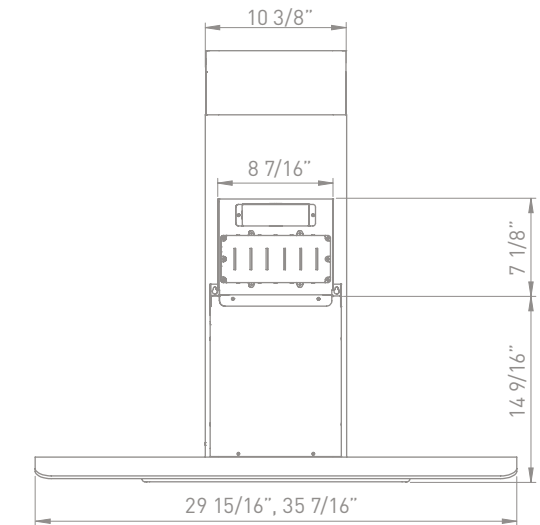
CONTROLS	Electronic LED
SPEED LEVELS	3
AUTO DELAY-OFF	No
LIGHTING	Halogen, 50W x 2
DUAL-LEVEL LIGHTING	Yes
FILTERS	Aluminum Mesh
RECIRCULATING	Yes
DUCT COVER EXTENSION	Yes, Up to 12' Ceiling

DUCT SPECIFICATIONS

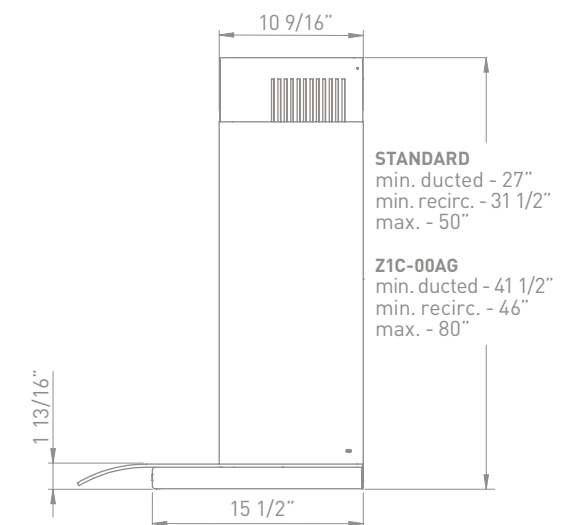
VERTICAL - INTERNAL	6"
HORIZONTAL - INTERNAL	NA

OPTIONAL ACCESSORIES

RECIRCULATING KIT	ZRC-00AG
DUCT COVER EXTENSION	Z1C-00AG



FRONT



SIDE



ANZIO wall

At home in either traditional or contemporary kitchens, Anzio is a low-profile, chimney-style range hood that will add style and value to any kitchen. Peaking at just over 5 1/4", the pyramid-like structure houses a powerful 600-CFM fan that quietly operates at 1.8 sones on the most common working speed. The three-speed fan is controlled by elegant, die-cut chrome electronic controls that are illuminated by LED indicator lights and prove to be an upgrade over most similarly priced range hoods.

- Ultra-quiet 600-CFM blower
- Electronic LED controls
- Telescopic ducting up to 9.5' standard, optional ducting available up to 12'

MODEL	SIZE	INTERNAL		IN-LINE/EXTERNAL	
		Max. CFM	Max. Sones	Max. CFM	Max. Sones
ZAN-E30AS	30"	290 / 600	2.8 / 6	NA	NA
ZAN-M90AS	36"	290 / 600	2.8 / 6	NA	NA



EUROPA CLASSICS

FEATURES

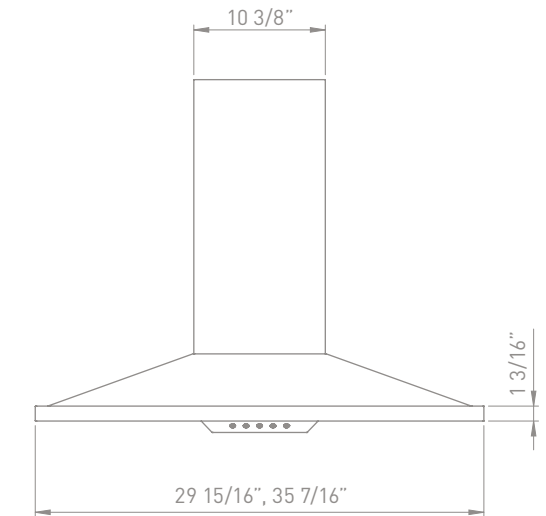
CONTROLS	Electronic LED
SPEED LEVELS	3
AUTO DELAY-OFF	No
LIGHTING	Halogen, 50W x 2
DUAL-LEVEL LIGHTING	Yes
FILTERS	Aluminum Mesh
RECIRCULATING	Yes
DUCT COVER EXTENSION	Yes, Up to 12' Ceiling

DUCT SPECIFICATIONS

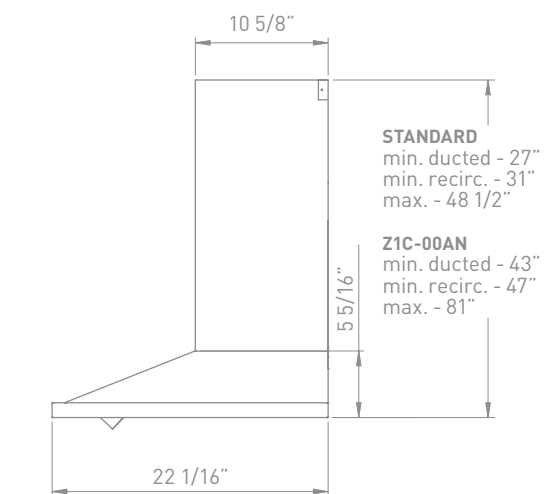
VERTICAL - INTERNAL	6"
HORIZONTAL - INTERNAL	NA

OPTIONAL ACCESSORIES

RECIRCULATING KIT	ZRC-00AN
DUCT COVER EXTENSION	Z1C-00AN



FRONT



SIDE



FIRENZE wall

A Europa Classic, Firenze's hybrid features provide the focused performance of a 600-CFM motor with the upgraded lighting of Bloom™ HD LED light bulbs. Firenze's architectural lines ascend in layers to make a simple, but powerful, statement in today's kitchen and do double duty as display and/or storage areas.

MODEL	SIZE	INTERNAL		IN-LINE/EXTERNAL	
		Max. CFM	Max. Sones	Max. CFM	Max. Sones
ZFI-M90BS	36"	600	6	NA	NA



EUROPA CLASSICS

FEATURES

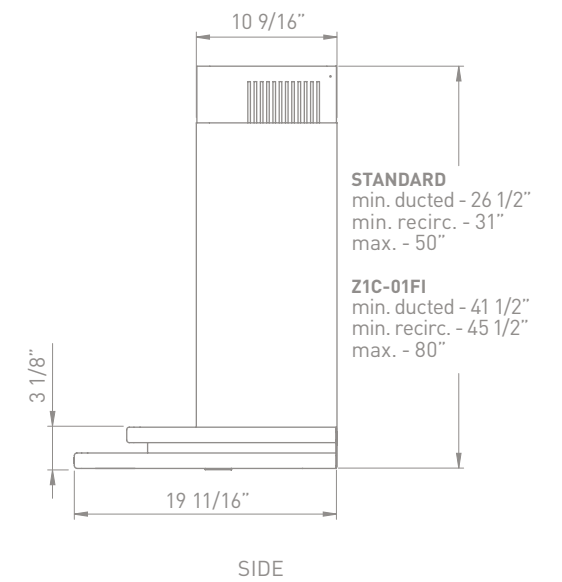
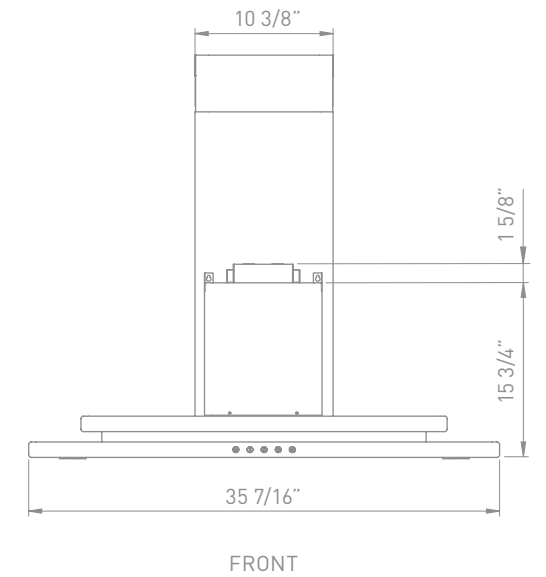
CONTROLS	Electronic LED
SPEED LEVELS	3
AUTO DELAY-OFF	No
LIGHTING	Bloom™ LED 3W x 4
DUAL-LEVEL LIGHTING	Yes
FILTERS	Aluminum Mesh
RECIRCULATING	Yes
DUCT COVER EXTENSION	Yes, Up to 12' Ceiling

DUCT SPECIFICATIONS

VERTICAL - INTERNAL	6"
HORIZONTAL - INTERNAL	NA

OPTIONAL ACCESSORIES

RECIRCULATING KIT	ZRC-00FI
DUCT COVER EXTENSION	Z1C-01FI



ROMA wall

Roma's sleek presence is ideal for the design-savvy renovator, the high-rise developer who strives for quality or the builder who buys in mass but won't settle for mediocrity. Roma's contemporary design is complemented with upgraded three-speed electronic LED controls. And its 600-CFM fan operates at an ultra quiet 1.8 sones while on normal working speed.

- Kitchen beautification without breaking the bank
- Optional recirculation kit for ductless installations
- Upgraded LED electronic controls

MODEL	SIZE	INTERNAL		IN-LINE/EXTERNAL	
		Max. CFM	Max. Sones	Max. CFM	Max. Sones
ZRO-E30BS	30"	290 / 600	2.8 / 6	NA	NA
ZRO-M90BS	36"	290 / 600	2.8 / 6	NA	NA



EUROPA CLASSICS

FEATURES

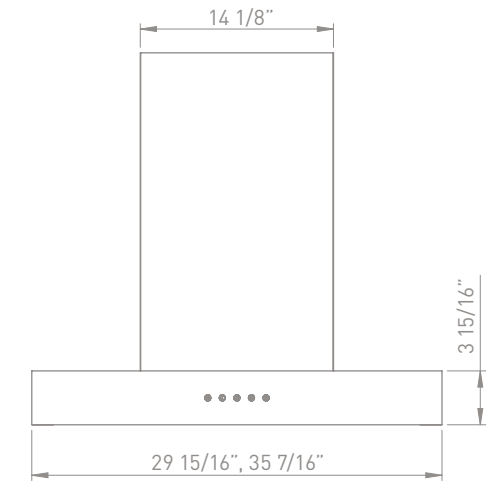
CONTROLS	Electronic LED
SPEED LEVELS	3
AUTO DELAY-OFF	No
LIGHTING	Halogen, 50W x 2
DUAL-LEVEL LIGHTING	Yes
FILTERS	Aluminum Mesh
RECIRCULATING	Yes
DUCT COVER EXTENSION	Yes, Up to 12' Ceiling

DUCT SPECIFICATIONS

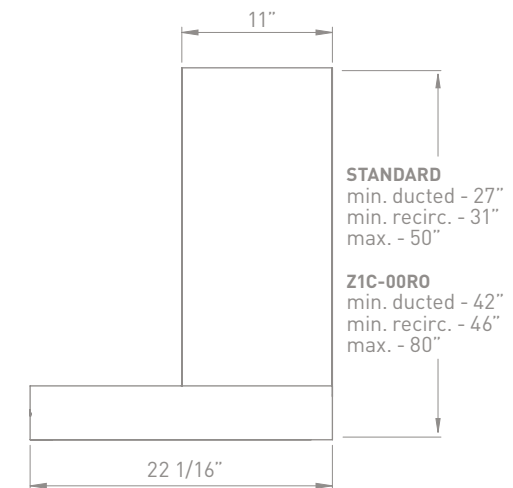
VERTICAL - INTERNAL	6"
HORIZONTAL - INTERNAL	NA

OPTIONAL ACCESSORIES

RECIRCULATING KIT	ZRC-00RO
DUCT COVER EXTENSION KIT (12' CEILING)	Z1C-00RO



FRONT



SIDE



SAVONA wall

Savona's semi-circular surfaces accentuate this range hood's European design with delicate reflections of light and shadows. However, underneath the 11" tall body, Savona features a robust 685-CFM fan that operates at ultra quiet 1.8 sones on normal working speed. Gifted with great additions like the optional recirculation kit, duct cover extension up to 12' and dual-level halogens, it's hard to improve on this classic. But the three-speed, die-cut chrome electronic controls with LED illumination take Savona to an elite level.

- Three adjustable speed levels give you the ventilation power you need
- Dual halogen lamps illuminate the cooking surface below
- Upgraded LED electronic controls make it easy to alter your lighting preferences
- Available in powder-coated black

MODEL	SIZE	INTERNAL		IN-LINE/EXTERNAL	
		Max. CFM	Max. Sones	Max. CFM	Max. Sones
ZSA-E30B_	30"	290 / 685	2.8 / 6	NA	NA
ZSA-M90B_	36"	290 / 685	2.8 / 6	NA	NA



EUROPA CLASSICS

FEATURES

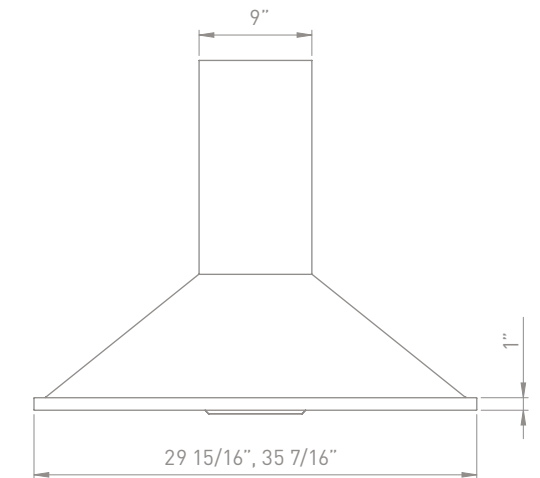
CONTROLS	Electronic LED
SPEED LEVELS	3
AUTO DELAY-OFF	No
LIGHTING	Halogen, 50W x 2
DUAL-LEVEL LIGHTING	Yes
FILTERS	Aluminum Mesh
RECIRCULATING	Yes
DUCT COVER EXTENSION	Yes, Up to 12' Ceiling

DUCT SPECIFICATIONS

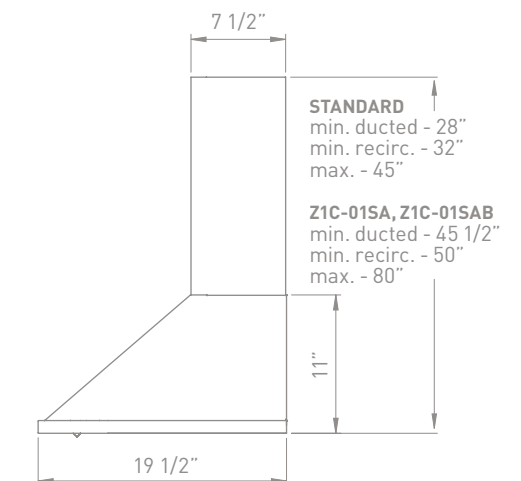
VERTICAL - INTERNAL	6"
HORIZONTAL - INTERNAL	NA

OPTIONAL ACCESSORIES

RECIRCULATING KIT	ZRC-00SV
DUCT COVER EXTENSION	Z1C-01SAB Z1C-01SA Z1C-01SA



FRONT



SIDE



MODENA island

Modena island's low-profile, stainless steel and airy glass canopy resembles a floating island over your cooktop or range. A perfect blend of architecture and performance, Modena island is sure to add the muscle your kitchen requires without the cluttered sight lines typical with more cumbersome range hood models. Equipped with DCBL Suppression™ technology, Modena island performs whisper-quiet air removal, while flaunting its technologically-advanced Bloom™ HD LED light bulbs and electronic LCD controls that rest subtly on its one-inch canopy.

MODEL	SIZE	INTERNAL		IN-LINE/EXTERNAL	
		Max. CFM	Max. Sones	Max. CFM	Max. Sones
ZMD-M90AS	36"	715	5.8	NA	NA
ZMD-E42AS	42"	715	5.8	NA	NA



NEXT GENERATION EUROPA

FEATURES

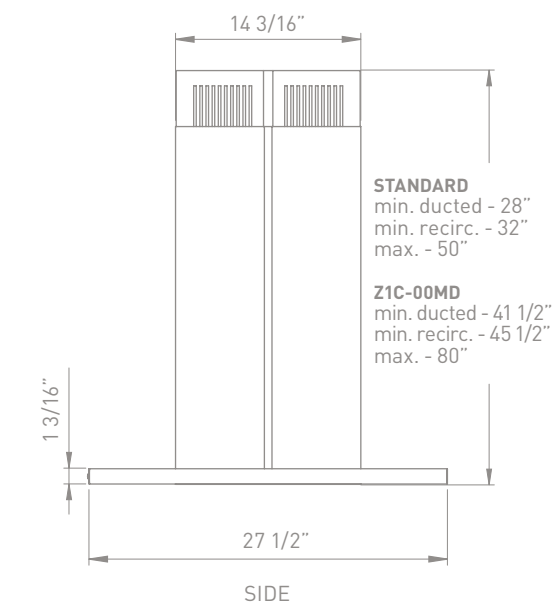
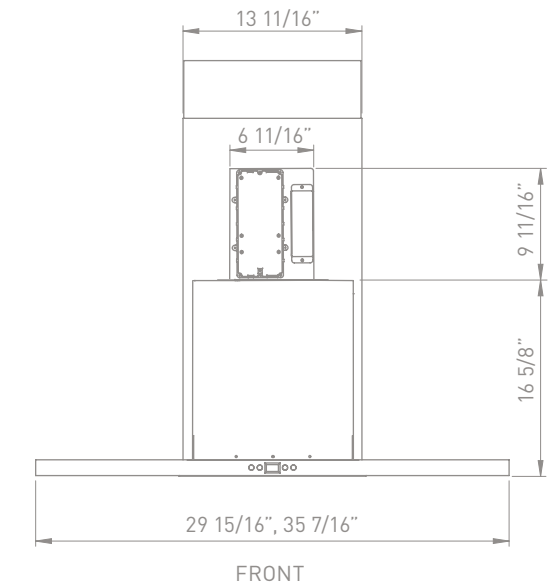
CONTROLS	Electronic LCD
SPEED LEVELS	5 + Burst
AUTO DELAY-OFF	Yes
CLEANAIR FUNCTION	Yes*
LIGHTING	Bloom™ LED 3W x 4
DUAL-LEVEL LIGHTING	Yes
FILTERS	Aluminum Mesh
RECIRCULATING	Yes
DUCT COVER EXTENSION	Yes, Up to 12' Ceiling
QUICK-LOCK INSTALLATION	Yes**

DUCT SPECIFICATIONS

VERTICAL - INTERNAL	8"
---------------------	----

OPTIONAL ACCESSORIES

RECIRCULATING KIT	ZRC-00MD
DUCT COVER EXTENSION	Z1C-00MD



All Next Generation Europa range hoods are equipped with DCBL Suppression™ technology, including Bloom™ HD LED light bulbs. To learn more, visit us at zephyronline.com.

*CleanAir turns your hood on once every four hours for 10 minutes on speed one.

**See the Quick-Lock in action at zephyronline.com.

MILANO island

A standard of the Europa Collection, Milano island now enjoys the advanced technology of Zephyr's DCBL Suppression System™. A bold technological breakthrough, DCBL Suppression™ transforms the Milano island into the quietest, most powerful and energy efficient range hood available today. While Milano maintains the classic curved-canopy design, its performance genetics are entirely new. Available in glass, stainless steel or optional smoked-gray glass canopies.

MODEL	SIZE	INTERNAL		IN-LINE/EXTERNAL	
		Max. CFM	Max. Sones	Max. CFM	Max. Sones
ZML-M90BG	36"	715	5.8	NA	NA
ZML-M90BS	36"	715	5.8	NA	NA
ZML-E42BG	42"	715	5.8	NA	NA
ZML-E42BS	42"	715	5.8	NA	NA



NEXT GENERATION EUROPA

FEATURES

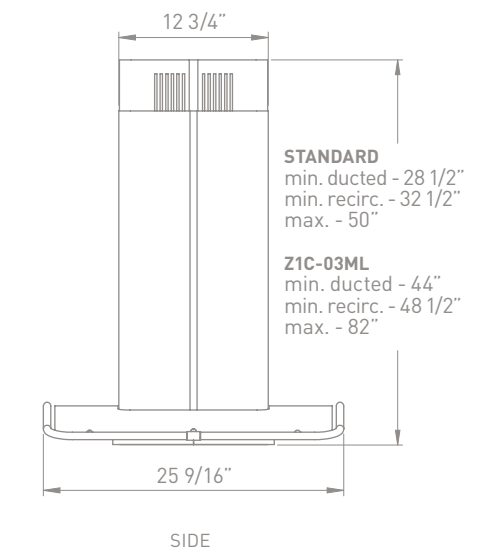
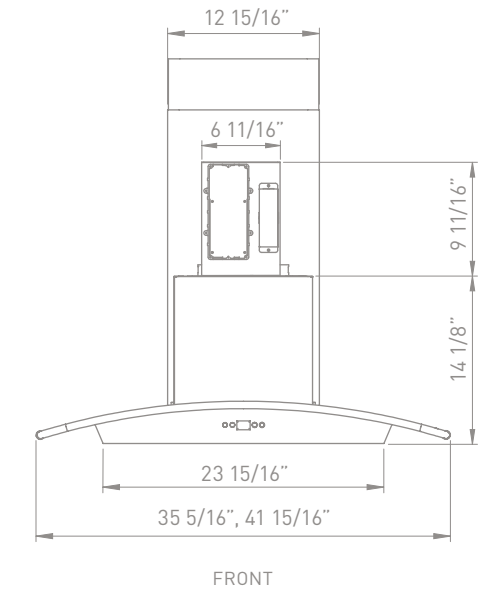
CONTROLS	Electronic LCD
SPEED LEVELS	5 + Burst
AUTO DELAY-OFF	Yes
CLEANAIR FUNCTION	Yes*
LIGHTING	Bloom™ LED 3W x 4
DUAL-LEVEL LIGHTING	Yes
FILTERS	Aluminum Mesh
RECIRCULATING	Yes
DUCT COVER EXTENSION	Yes, Up to 12' Ceiling
QUICK-LOCK INSTALLATION	Yes**

DUCT SPECIFICATIONS

VERTICAL - INTERNAL	8"
---------------------	----

OPTIONAL ACCESSORIES

RECIRCULATING KIT	ZRC-00ML
DUCT COVER EXTENSION	Z1C-03ML
SMOKE-GRAY GLASS CANOPY, 36"	ZMG-03GY
SMOKE-GRAY GLASS CANOPY, 42"	ZMG-04GY



All Next Generation Europa range hoods are equipped with DCBL Suppression™ technology, including Bloom™ HD LED light bulbs. To learn more, visit us at zephyronline.com.

*CleanAir turns your hood on once every four hours for 10 minutes on speed one.

**See the Quick-Lock in action at zephyronline.com.

NAPOLI island

A part of the Next Generation Europa, Napoli is a classic island range hood design. Strong with upwardly-angled walls, Napoli makes an impression in any kitchen. Upgraded with Zephyr's DCBL Suppression System™, Bloom™ HD LED light bulbs and the unique Quick-Lock installation system, Napoli is as easy to install as it is to enjoy. Napoli is a technological achievement and a cut above the rest.

MODEL	SIZE	INTERNAL		IN-LINE/EXTERNAL	
		Max. CFM	Max. Sones	Max. CFM	Max. Sones
ZNA-M90BS	36"	715	5.8	NA	NA
ZNA-E42BS	42"	715	5.8	NA	NA



NEXT GENERATION EUROPA

FEATURES

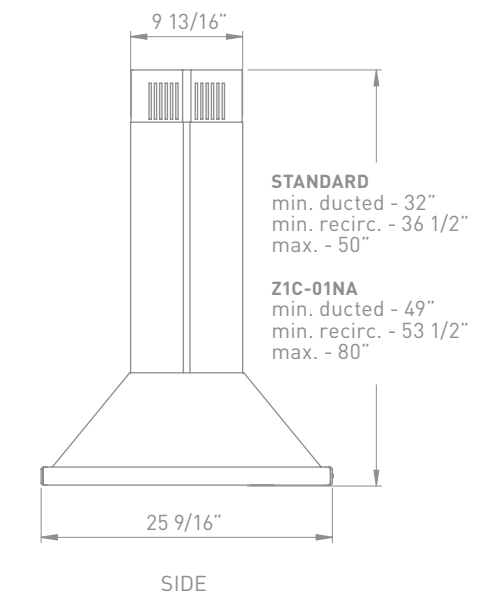
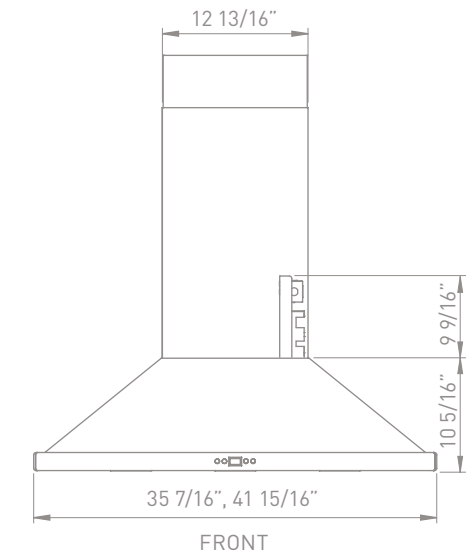
CONTROLS	Electronic LCD
SPEED LEVELS	5 + Burst
AUTO DELAY-OFF	Yes
CLEANAIR FUNCTION	Yes*
LIGHTING	Bloom™ LED 3W x 4
DUAL-LEVEL LIGHTING	Yes
FILTERS	Aluminum Mesh
RECIRCULATING	Yes
DUCT COVER EXTENSION	Yes, Up to 12' Ceiling
QUICK-LOCK INSTALLATION	Yes**

DUCT SPECIFICATIONS

VERTICAL - INTERNAL	8"
---------------------	----

OPTIONAL ACCESSORIES

RECIRCULATING KIT	ZRC-00NA
DUCT COVER EXTENSION	Z1C-01NA



All Next Generation Europa range hoods are equipped with DCBL Suppression™ technology, including Bloom™ HD LED light bulbs. To learn more, visit us at zephyronline.com.

*CleanAir turns your hood on once every four hours for 10 minutes on speed one.

**See the Quick-Lock in action at zephyronline.com.

ANZIO island

With its low-profile, bell-shaped island range hood, Anzio adds style to any kitchen project. A part of the Europa Classics, Anzio's 600-CFM motor, electronic LED controls and dual-level halogens move it ahead of the competition. Add the Quick-Lock installation system and Anzio stands alone in terms of performance, design and value.

MODEL	SIZE	INTERNAL		IN-LINE/EXTERNAL	
		Max. CFM	Max. Sones	Max. CFM	Max. Sones
ZAZ-M90AS	36"	290 / 600	2.8 / 6	NA	NA
ZAZ-E42AS	42"	290 / 600	2.8 / 6	NA	NA



EUROPA CLASSICS

FEATURES

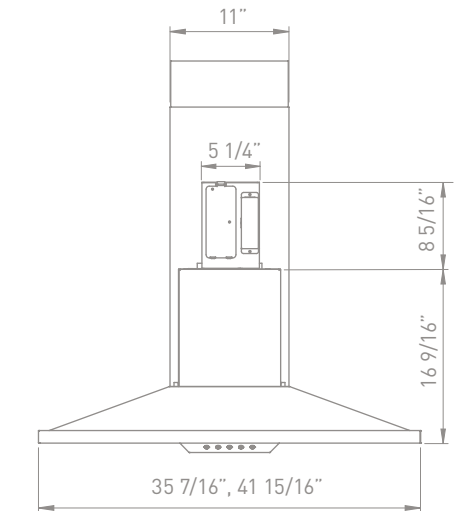
CONTROLS	Electronic LED
SPEED LEVELS	3
AUTO DELAY-OFF	No
LIGHTING	Halogen, 50W x 4
DUAL-LEVEL LIGHTING	Yes
FILTERS	Aluminum Mesh
RECIRCULATING	Yes
DUCT COVER EXTENSION	Yes, Up to 12' Ceiling
QUICK-LOCK INSTALLATION	Yes*

DUCT SPECIFICATIONS

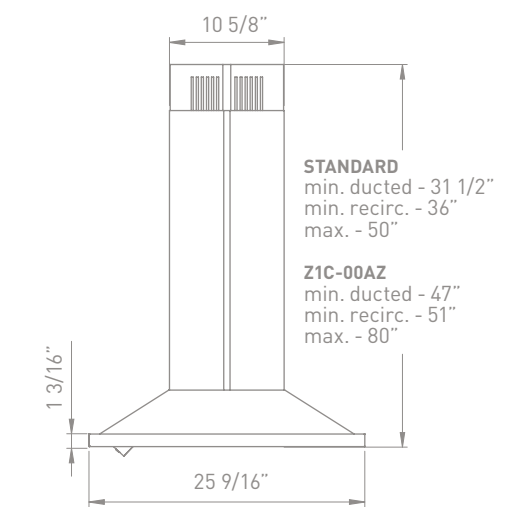
VERTICAL - INTERNAL	6"
---------------------	----

OPTIONAL ACCESSORIES

RECIRCULATING KIT	
ZAZ-M90AS	ZRC-00AZ
ZAZ-E42AS	ZRC-01AZ
DUCT COVER EXTENSION	Z1C-00AZ



FRONT



SIDE

STANDARD
min. ducted - 31 1/2"
min. recirc. - 36"
max. - 50"

Z1C-00AZ
min. ducted - 47"
min. recirc. - 51"
max. - 80"

*See the Quick-Lock in action at zephyronline.com.

ROMA island

A sharp, angular island design as distinctively bold as its namesake city, Roma's sleek shape is ideal for the savvy renovator, the discerning high-rise developer or the builder who buys in mass but won't skimp on quality. Designed with the innovative Quick-Lock installation system, Roma island can be set up in as few as 20 minutes. A 600-CFM ultra quiet fan and three-speed electronic controls with LED illumination make cooking with Roma as pleasant an experience as admiring its contemporary European style.

- Roma's Quick-Lock hanging system ensures one of the easiest island-hood installations on the market
- A quartet of halogens illuminates the island below
- Optional duct extension kit is available for ceilings up to 12'

MODEL	SIZE	INTERNAL		IN-LINE/EXTERNAL	
		Max. CFM	Max. Sones	Max. CFM	Max. Sones
ZRM-E36BS	36"	290 / 600	2.8 / 6	NA	NA
ZRM-E42BS	42"	290 / 600	2.8 / 6	NA	NA



EUROPA CLASSICS

FEATURES

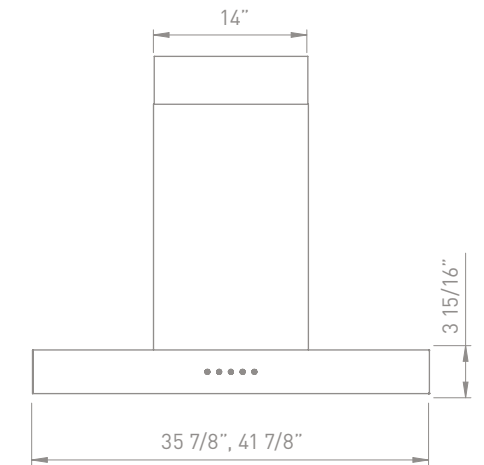
CONTROLS	Electronic LED
SPEED LEVELS	3
AUTO DELAY-OFF	No
LIGHTING	Halogen, 50W x 4
DUAL-LEVEL LIGHTING	Yes
FILTERS	Aluminum Mesh
RECIRCULATING	Yes
DUCT COVER EXTENSION	Yes, Up to 12' Ceiling
QUICK-LOCK INSTALLATION	Yes*

DUCT SPECIFICATIONS

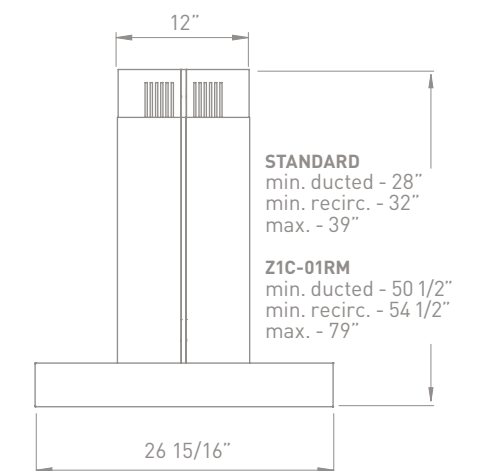
VERTICAL - INTERNAL	6"
---------------------	----

OPTIONAL ACCESSORIES

RECIRCULATING KIT	
ZRM-E36BS	ZRC-00RM
ZRM-E42BS	ZRC-01RM
DUCT COVER EXTENSION	Z1C-01RM



FRONT



SIDE

*See the Quick-Lock in action at zephyronline.com.

ESSENTIALS
 ZEPHYR
 ISLANDS

GENOVA under-cabinet

Tucked neatly beneath your bridge cabinet, Genova quietly works out of sight. Powered by the strength of its 500-CFM fan, Genova's crescent-like body delivers stunning design and quality performance. Its retractable visor helps in the capture of air and puts control at your fingertips, requiring just a pull of the visor to manage the hood's motor and lights. Packed with upgraded features like three-speed electronic controls, dual-level halogen lights and an optional recirculation kit, the wireless remote control almost seems gratuitous. Genova is perfect for kitchens that require a more discreet look.

- Three-speed electronic controls with optional wireless remote control
- Dual-level halogen light bulbs
- Optional recirculating kit

MODEL	SIZE	INTERNAL		IN-LINE/EXTERNAL	
		Max. CFM	Max. Sones	Max. CFM	Max. Sones
ZGE-E30AS	30"	290 / 500	2.8 / 5.3	NA	NA
ZGE-E36AS	36"	290 / 500	2.8 / 5.3	NA	NA



EUROPA CLASSICS

FEATURES

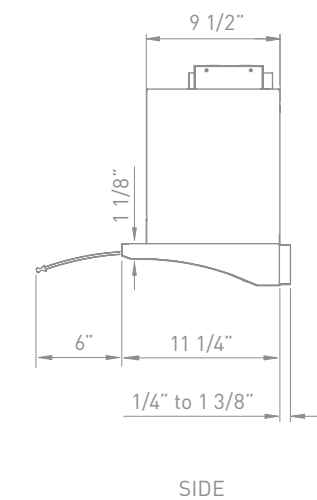
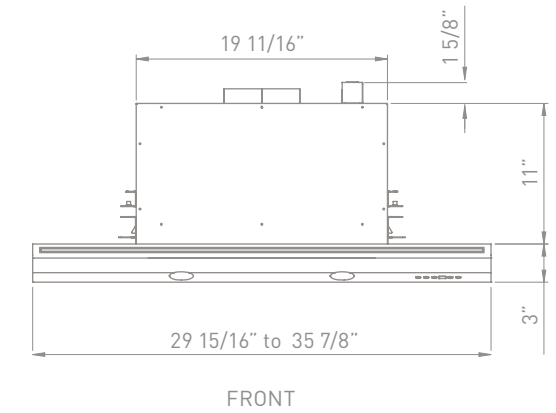
CONTROLS	Electronic Touch
SPEED LEVELS	3
AUTO DELAY-OFF	Yes
LIGHTING	Halogen, 50W x 2
DUAL-LEVEL LIGHTING	Yes
FILTERS	Decorative Mesh
RECIRCULATING	Yes

DUCT SPECIFICATIONS

VERTICAL - INTERNAL	6"
HORIZONTAL - INTERNAL	NA

OPTIONAL ACCESSORIES

RECIRCULATING KIT	ZRC-00GE
WIRELESS REMOTE CONTROL	14000005



TERAZZO under-cabinet

Terazzo comes to the party bearing gifts of style, convenience and innovation. Starting with its 12-inch cabinet mounting-depth and the ingenious terraced display rack, Terazzo makes a perfect addition to any kitchen. Did we mention it also comes with an adjustable utensil rail to help keep your cooking tools within reach?

MODEL	SIZE	INTERNAL		IN-LINE/EXTERNAL	
		Max. CFM	Max. Sones	Max. CFM	Max. Sones
ZTE-E30AS	30"	290 / 400	3.2 / 5	NA	NA
ZTE-E36AS	36"	290 / 400	3.2 / 5	NA	NA



EUROPA CLASSICS

FEATURES

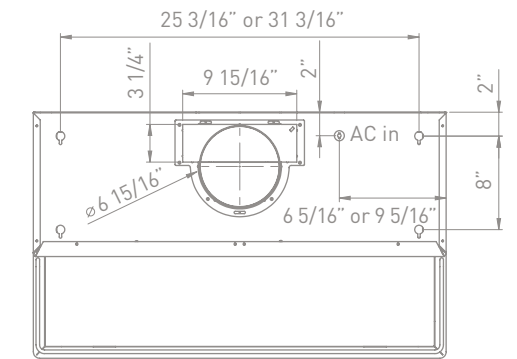
CONTROLS	Mechanical Slide
SPEED LEVELS	3
DELAY-OFF	No
LIGHTING	Halogen, 50W x 2
DUAL-LEVEL LIGHTING	Yes
FILTERS	Aluminum Mesh
RECIRCULATING	Yes
DUCT COVER EXTENSION	NA

DUCT SPECIFICATIONS

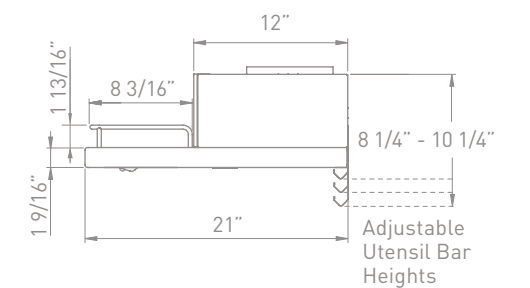
VERTICAL - INTERNAL	7" or 3 1/4" x 10"
HORIZONTAL	3 1/4" x 10"

OPTIONAL ACCESSORIES

RECIRCULATING KIT	ZRC-0200
-------------------	----------



TOP



SIDE



GUST under-cabinet

A discreet, European-style, professional-looking range hood, Gust adds fashion to under-cabinet installations. With its mechanical controls neatly tucked away below the canopy, Gust provides the subtlety its owners require. Its perfectly curved corners and understated top-mounted return-air louver offer further evidence that Gust spares nothing when it comes to quality construction.

- Optional recirculating kit
- Available with 290-CFM motor
- Optional baffle filters available

MODEL	SIZE	INTERNAL		IN-LINE/EXTERNAL	
		Max. CFM	Max. Sones	Max. CFM	Max. Sones
AK7100AS	30"	290 / 400	3.2 / 5	NA	NA
AK7136AS	36"	290 / 400	3.2 / 5	NA	NA



EUROPA CLASSICS

FEATURES

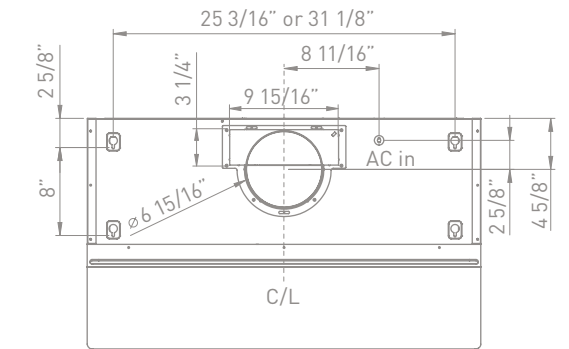
CONTROLS	Mechanical Slide
SPEED LEVELS	3
DELAY-OFF	No
LIGHTING	Halogen, 50W x 2
DUAL-LEVEL LIGHTING	Yes
FILTERS	Aluminum Mesh Aluminum Mesh Baffle
AK7100AS / AK7136AS AK7100AS290 / AK7136AS290 AK7100AS-BF / AK7136AS-BF	
RECIRCULATING	Yes
DUCT COVER EXTENSION	NA

DUCT SPECIFICATIONS

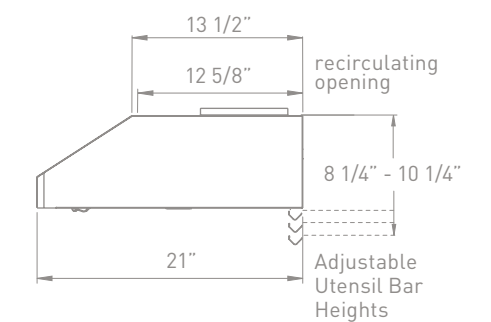
VERTICAL - INTERNAL	7" or 3 1/4" x 10"
HORIZONTAL	3 1/4" x 10"

OPTIONAL ACCESSORIES

RECIRCULATING KIT	ZRC-0200
-------------------	----------



TOP



SIDE



PYRAMID under-cabinet

Classic, architectural lines meet at an apex to energize the familiar look of the chimney-style under-cabinet hood. This expressive yet utilitarian design also features an adjustable back panel utensil rail that accommodates a variety of cabinet depths to put cooking gear within easy reach. New control configuration and 12" cabinet mounting depth ensure simple operation and a true fit with popular cabinet styles. Available in white and black color options.

MODEL	SIZE	INTERNAL		IN-LINE/EXTERNAL	
		Max. CFM	Max. Sones	Max. CFM	Max. Sones
ZPY-E30A_	30"	290 / 400	3.2 / 5	NA	NA
ZPY-E36A_	36"	290 / 400	3.2 / 5	NA	NA



EUROPA CLASSICS

FEATURES

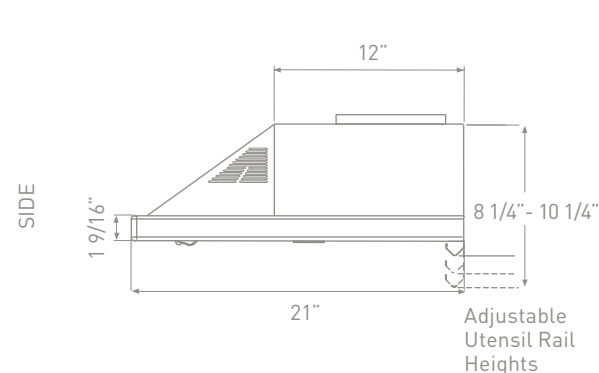
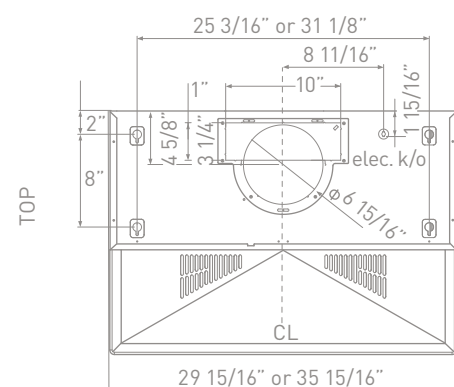
CONTROLS	Mechanical Slide
SPEED LEVELS	3
AUTO DELAY-OFF	No
LIGHTING	Halogen, 50W x 2
DUAL LEVEL LIGHTING	Yes
FILTERS	Aluminum Mesh
RECIRCULATING	Yes

DUCT SPECIFICATIONS

VERTICAL - INTERNAL	7" or 3 1/4" x 10"
HORIZONTAL - INTERNAL	3 1/4" x 10"

OPTIONAL ACCESSORIES

RECIRCULATING KIT	ZRC-0200
-------------------	----------



TAMBURO under-cabinet

With Tamburo, we've thrown a major curve to the typical under-cabinet configuration with a fresh approach that's designed for real life. This original also offers halogen lighting, three speeds and an adjustable utensil rail to keep all of your larger culinary tools right where you want them—above the cooking surface. New control configuration and 12" cabinet mounting depth ensure ease of operation and a proper fit with popular cabinet styles.

MODEL	SIZE	INTERNAL		IN-LINE/EXTERNAL	
		Max. CFM	Max. Sones	Max. CFM	Max. Sones
ZTA-E30AS	30"	290 / 400	3.2 / 5	NA	NA
ZTA-E36AS	36"	290 / 400	3.2 / 5	NA	NA



EUROPA CLASSICS

FEATURES

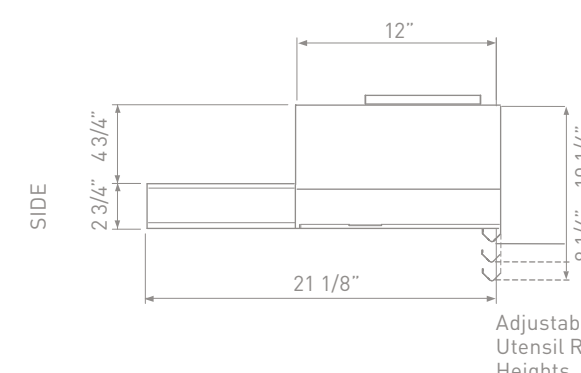
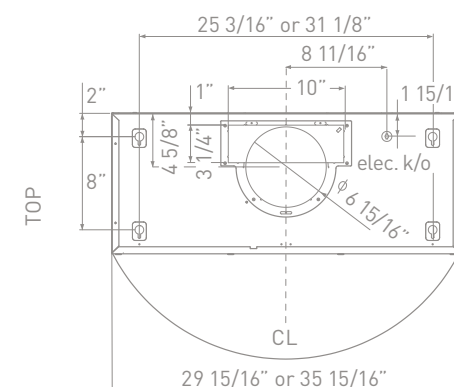
CONTROLS	Mechanical Slide
SPEED LEVELS	3
AUTO DELAY-OFF	No
LIGHTING	Halogen, 50W x 2
DUAL LEVEL LIGHTING	Yes
FILTERS	Aluminum Mesh
RECIRCULATING	Yes

DUCT SPECIFICATIONS

VERTICAL - INTERNAL	7" or 3 1/4" x 10"
HORIZONTAL - INTERNAL	3 1/4" x 10"

OPTIONAL ACCESSORIES

RECIRCULATING KIT	ZRC-0200
-------------------	----------



SORRENTO downdraft

Ideal for small kitchens or for island settings where ceilings are too high for ducting, Sorrento rises to the occasion. The brushed stainless steel filter unit houses quiet, efficient centrifugal blowers. An automatic heat sensor adjusts blowers in high-heat conditions. Optional 30" and 36" widths accommodate most cooktops and standard cabinetry.

- An automatic heat sensor adjusts blowers in high-heat conditions
- The press of a button lets you conveniently raise and lower Sorrento

MODEL	SIZE	INTERNAL		IN-LINE/EXTERNAL	
		Max. CFM	Max. Sones	Max. CFM	Max. Sones
DD1-E30AS	30"	500	NA	NA	NA
DD1-E36AS	36"	500	NA	NA	NA



EUROPA CLASSICS

FEATURES

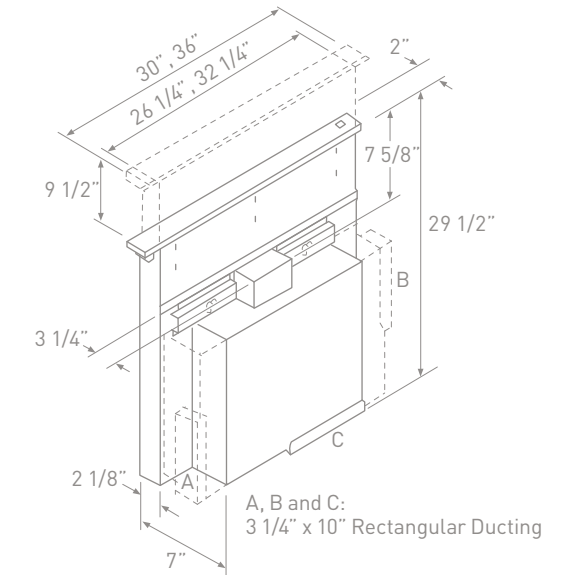
CONTROLS	Control Knob
SPEED LEVELS	Variable
AUTO DELAY-OFF (WHEN AIR VENT IS LOWERED)	Yes
AUTOMATIC HEAT SENSOR	Yes
FILTERS	Decorative Mesh x 2

DUCT SPECIFICATIONS

INTERNAL BLOWER (LEFT, RIGHT OR BOTTOM)	3 1/4" x 10"
---	--------------

OPTIONAL ACCESSORIES

REMOTE UP/DOWN CONTROL	DDA-0001
------------------------	----------



TYPHOON under-cabinet

One of the inspirations for founding Zephyr Ventilation was our deep desire to update the strict geometry of the under-cabinet range hood. For Typhoon, we crafted a smooth, sophisticated curvature. Then we pumped up the volume with a powerful, virtually noise-free 850-CFM blower. The addition of dimmable halogen lights provides you and your guests with a warm respite from the everyday.

- Centrifugal blowers liquefy cooking residue to make cleaning a snap
- Match your kitchen's mood with white, bisque, black or stainless steel finishes

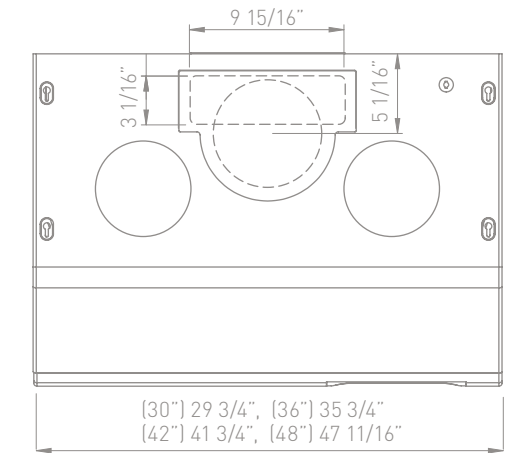
MODEL	SIZE	INTERNAL		IN-LINE/EXTERNAL	
		Max. CFM	Max. Sones	Max. CFM	Max. Sones
AK2100A_	30"	850	5	NA	NA
AK2136A_	36"	850	5	NA	NA
AK2142AS	42"	850	5	NA	NA
AK2148AS	48"	850	5	NA	NA



POWER SERIES

FEATURES

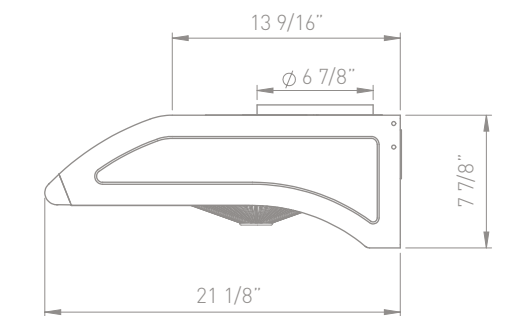
CONTROLS	Electronic Touch
SPEED LEVELS	6
AUTO DELAY-OFF	Yes
LIGHTING	Halogen, 35W x 2
DUAL-LEVEL LIGHTING	Yes
REMOVABLE SAFETY GRILLES	2
RECIRCULATING	No
SELF CLEANING	Yes



FRONT

DUCT SPECIFICATIONS

VERTICAL - INTERNAL	7" or 3 1/4" x 10"
HORIZONTAL - INTERNAL	3 1/4" x 10"



SIDE



See the Power Series filter-less system video at zephyronline.com

HURRICANE under-cabinet

High tech meets high style with a minimum of fuss under the cabinet. Sensitive touch-controls take charge of the three-speed 695-CFM blower, dual-level halogen lights and a timed delay-off function—all designed to make your life easier. Available in stainless steel, white and black.

MODEL	SIZE	INTERNAL		IN-LINE/EXTERNAL	
		Max. CFM	Max. Sones	Max. CFM	Max. Sones
AK2500_	30"	695	5.5	NA	NA
AK2536_	36"	695	5.5	NA	NA



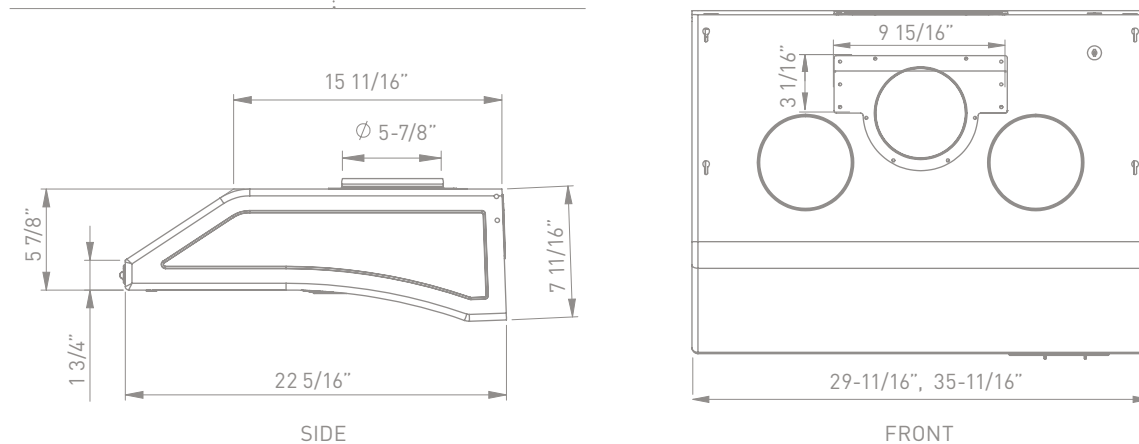
POWER SERIES See the Power Series filter-less system video at zephyronline.com

FEATURES

CONTROLS	Electronic Touch
SPEED LEVELS	3
AUTO DELAY-OFF	Yes
LIGHTING	Halogen, 35W x 2
DUAL LEVEL LIGHTING	Yes
REMOVABLE SAFETY GRILLES	2
RECIRCULATING	No
SELF CLEANING	Yes

DUCT SPECIFICATIONS

VERTICAL - INTERNAL	6" or 3 1/4" x 10"
HORIZONTAL - INTERNAL	3 1/4" x 10"



CYCLONE under-cabinet

Modern, clean lines provide a perfect complement to any interior, while centrifugal blowers liquefy cooking residue without complex filters to make the actual cleanup a snap. Available in stainless steel, white and black, Cyclone's three styles, sizes and ducting options make it one of our most versatile models.

MODEL	SIZE	INTERNAL		IN-LINE/EXTERNAL	
		Max. CFM	Max. Sones	Max. CFM	Max. Sones
AK6500_	30"	650	5	NA	NA
AK6536_	36"	650	5	NA	NA
AK6542_	42"	650	5	NA	NA



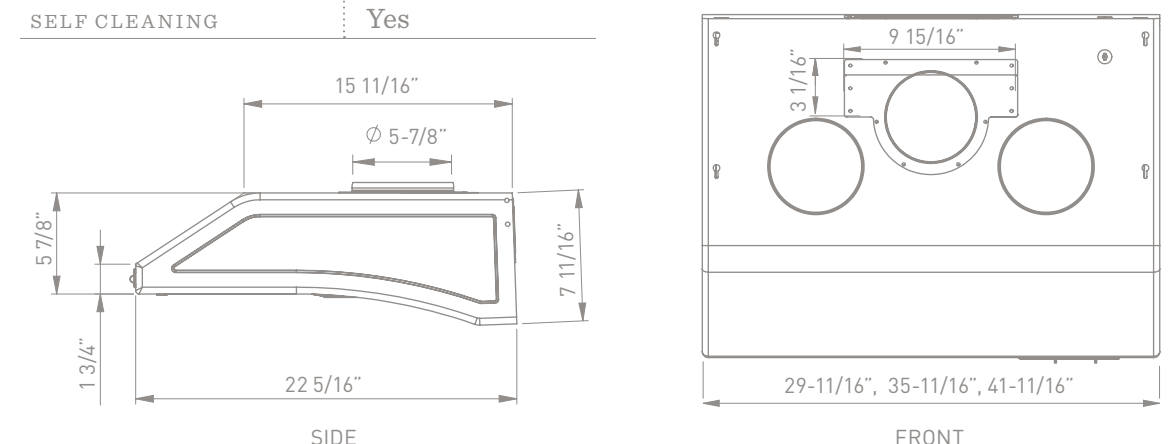
POWER SERIES See the Power Series filter-less system video at zephyronline.com

FEATURES

CONTROLS	Mechanical Slide
SPEED LEVELS	3
AUTO DELAY-OFF	No
LIGHTING	No
DUAL LEVEL LIGHTING	Yes
REMOVABLE SAFETY GRILLES	2
RECIRCULATING	No
SELF CLEANING	Yes

DUCT SPECIFICATIONS

VERTICAL - INTERNAL	6" or 3 1/4" x 10"
HORIZONTAL - INTERNAL	3 1/4" x 10"



BREEZE I under-cabinet

Breeze I's sophisticated features and powerful performance set the industry value standard. Its three-speed, 250-CFM blowers quietly clear the air, while efficient dishwasher-safe aluminum filters remove airborne residues. Sleek, integrated controls simplify cleanup and halogen lights let you set a low-key mood when the time is right. Available in stainless steel, black, bisque and white.

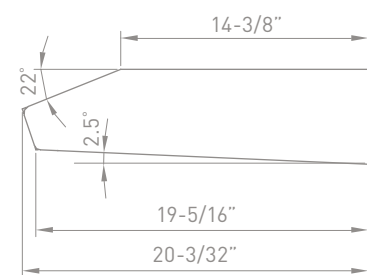
MODEL	SIZE	INTERNAL		IN-LINE/EXTERNAL	
		Max. CFM	Max. Sones	Max. CFM	Max. Sones
AK1124_	24"	250	3.5	NA	NA
AK1100_	30"	250	3.5	NA	NA
AK1136_	36"	250	3.5	NA	NA



BREEZE SERIES

FEATURES

CONTROLS	Mechanical Slide
SPEED LEVELS	3
AUTO DELAY-OFF	No
LIGHTING	Halogen, 35W x 2
DUAL LEVEL LIGHTING	Yes
FILTERS	Aluminum Mesh x 2
RECIRCULATING	Yes



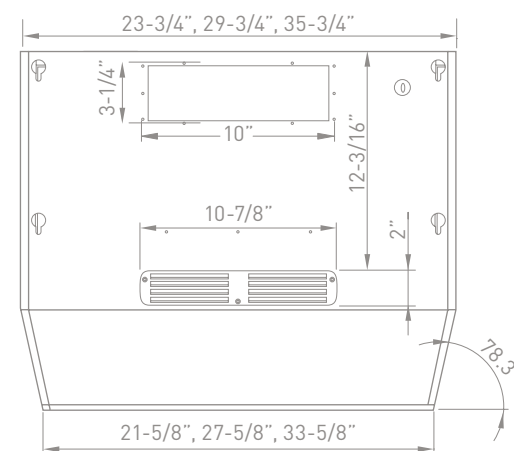
SIDE

DUCT SPECIFICATIONS

VERTICAL - INTERNAL	3 1/4" x 10"
HORIZONTAL - INTERNAL	3 1/4" x 10"

OPTIONAL ACCESSORIES

RECIRCULATING KIT	OAK11-21001
-------------------	-------------



TOP

BREEZE II under-cabinet

For superior value in a quiet, high-performance package, Breeze II comes equipped with upgraded three-speed, 400-CFM blowers, convenient dishwasher-safe aluminum filters and a timed delay-off feature to automatically clear the air and power down after five minutes. Special controls simplify cleanup and halogen lights make it a breeze to soften the mood. Available in stainless steel, black and white.

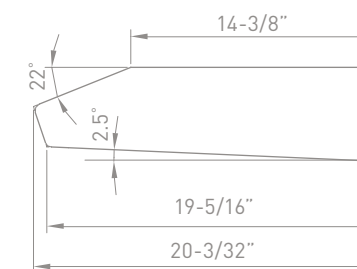
MODEL	SIZE	INTERNAL		IN-LINE/EXTERNAL	
		Max. CFM	Max. Sones	Max. CFM	Max. Sones
AK1200_	30"	400	4.5	NA	NA
AK1236_	36"	400	4.5	NA	NA



BREEZE SERIES

FEATURES

CONTROLS	Electronic Touch
SPEED LEVELS	3
AUTO DELAY-OFF	Yes
LIGHTING	Halogen, 35W x 2
DUAL LEVEL LIGHTING	Yes
FILTERS	Aluminum Mesh x 2
RECIRCULATING	Yes



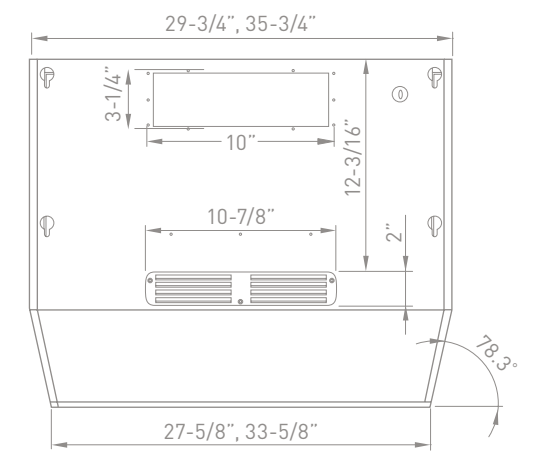
SIDE

DUCT SPECIFICATIONS

VERTICAL - INTERNAL	3 1/4" x 10"
HORIZONTAL - INTERNAL	3 1/4" x 10"

OPTIONAL ACCESSORIES

RECIRCULATING KIT	OAK11-21001
-------------------	-------------



TOP

TEMPEST I pro-style

A streamlined under-cabinet pro-style range hood, Tempest I combines power, efficiency and flexibility. Industrial-strength, high-airflow baffle filters that are dishwasher-safe ensure a lifetime of exceptional performance. Additional options like a heat lamp kit and a recirculation kit for kitchens that require ductless venting ensure all you have to think about is the cooking.

- Dishwasher-safe, high-airflow baffle filters and an optional heat lamp kit enhance the professional-grade aesthetic
- Multiple internal blower and recirculation options meet the most powerful and diverse ventilation needs

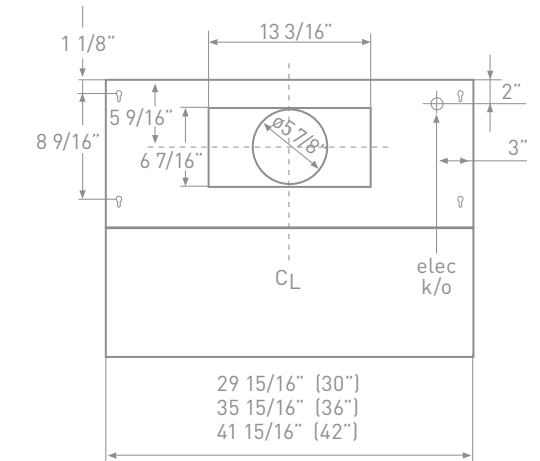
MODEL	SIZE	INTERNAL		IN-LINE/EXTERNAL	
		Max. CFM	Max. Sones	Max. CFM	Max. Sones
AK7000AS	30"	600 / 1100	6 / 8	NA	NA
AK7036AS	36"	600 / 1100	6 / 8	NA	NA
AK7042AS	42"	600 / 1100	6 / 8	NA	NA



PRO-STYLE

FEATURES

CONTROLS	Electronic Touch
SPEED LEVELS	3
AUTO DELAY-OFF	Yes
LIGHTING	Halogen, 35W x 2
DUAL-LEVEL LIGHTING	Yes
FILTERS	
AK7000AS	Baffle x 2
AK7036AS	Baffle x 3
AK7042AS	Baffle x 3
RECIRCULATING	Yes (600-CFM only)



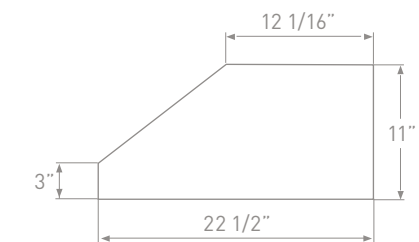
FRONT

DUCT SPECIFICATIONS

VERTICAL - SINGLE/DUAL	6" / 10"
HORIZONTAL - SINGLE	3 1/4" x 10"

OPTIONAL ACCESSORIES

BACK SPLASH WITH WARMING RACKS	
AK7000AS	AK0710
AK7036AS	AK0716
AK7042AS	AK0718
HEAT LAMPS	
AK7000AS	AK0700AS
AK7036AS	AK0706AS
AK7042AS	AK0702AS
RECIRCULATING KIT	
AK7000AS	ZRC-7000
AK7036AS	ZRC-7036
AK7042AS	ZRC-7042



SIDE



For designer Pro-Style options see Cheng Collection on page 31.

TEMPEST II pro-style

Designed with professional-grade performance and seamless contours, the wall-mount Tempest II gives you all of the advanced features of the under-cabinet Tempest I, plus up to five 600- to 1100-CFM blower options. With dishwasher-safe, high-airflow baffle filters, an optional heat lamp kit and new ducting options to meet nearly any spec, it's everything the demanding cook could ask for—and is sure to inspire hood envy among your friends.

MODEL	SIZE	INTERNAL		IN-LINE/EXTERNAL	
		Max. CFM	Max. Sones	Max. CFM	Max. Sones
AK7500ASX	30"	290 / 600 / 1100	3.2 / 6 / 8	1000	NA
AK7536ASX	36"	290 / 600 / 1100	3.2 / 6 / 8	1000	NA
AK7548ASX	48"	290 / 600 / 1100	3.2 / 6 / 8	1000	NA



PRO-STYLE

FEATURES

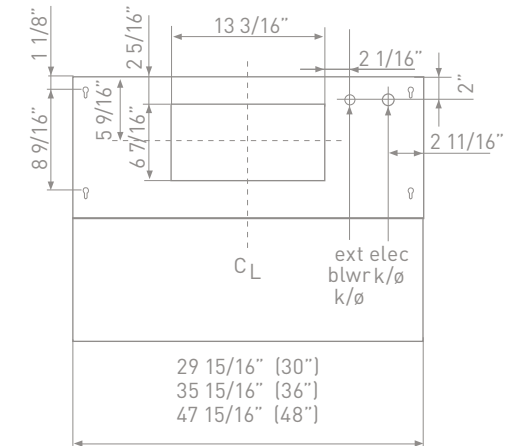
CONTROLS	Electronic Touch
SPEED LEVELS	3
AUTO DELAY-OFF	Yes
LIGHTING	
AK7500ASX	Halogen, 35W x 2
AK7536ASX	Halogen, 35W x 2
AK7548ASX	Halogen, 35W x 3
DUAL-LEVEL LIGHTING	Yes
FILTERS	
AK7500ASX	Baffle x 2
AK7536ASX	Baffle x 3
AK7548ASX	Baffle x 4
RECIRCULATING	No

DUCT SPECIFICATIONS

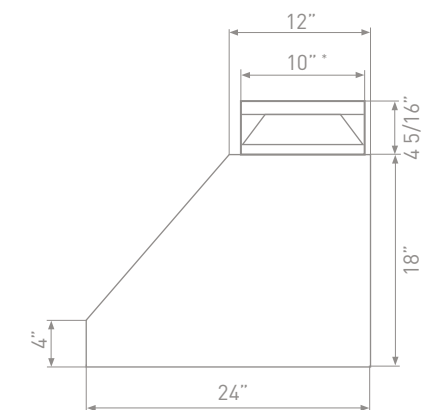
VERTICAL - SINGLE/DUAL	6" / 10"
VERTICAL - IN-LINE/EXTERNAL	10" / 10"
HORIZONTAL	3 1/4" x 10"

OPTIONAL ACCESSORIES

BACK SPLASH WITH WARMING RACKS	
AK7500ASX	AK0710
AK7536ASX	AK0716
AK7548ASX	AK0718
HEAT LAMPS	
AK7500ASX	AK0700BS
AK7536ASX	AK0706BS
AK7548ASX	AK0708BS
DUCT COVER (12")	
AK7500ASX	AK0720
AK7536ASX	AK0726
AK7548ASX	AK0728



FRONT



SIDE

*10" transition used with dual and external blowers.

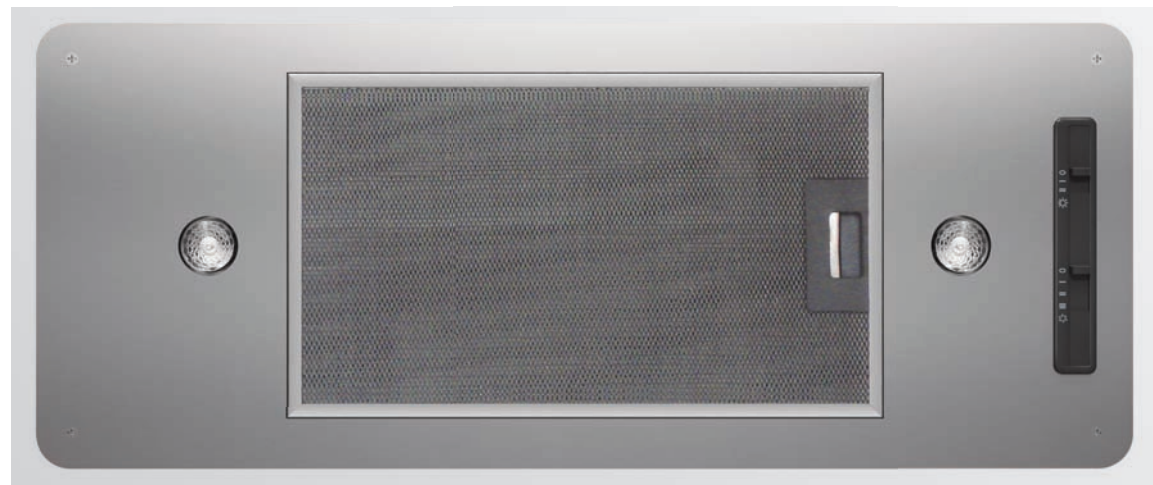


For designer Pro-Style options see Cheng Collection on page 31.

TWISTER power pack

Sometimes you just need to cover your bases, so we designed this inexpensive power pack as a simple solution that blends in anywhere. The three-speed Twister hides the ventilation you need beneath your custom built-in canopy. An optional liner extends and beautifies the hood, while protecting your cabinetry.

MODEL	SIZE	INTERNAL		IN-LINE/EXTERNAL	
		Max. CFM	Max. Sones	Max. CFM	Max. Sones
AK8000AS	27"	290	3.2	NA	NA



PRO-STYLE

FEATURES

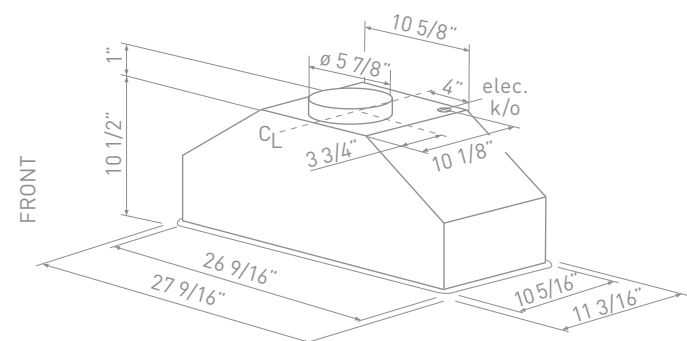
CONTROLS	Mechanical Slide
SPEED LEVELS	3
AUTO DELAY-OFF	No
LIGHTING	Halogen, 35W x 2
DUAL LEVEL LIGHTING	Yes
FILTERS	Metal Mesh x 1
RECIRCULATING	Yes

DUCT SPECIFICATIONS

VERTICAL	6"
----------	----

OPTIONAL ACCESSORIES

30" LINER (17 1/8" - 20 1/2" DEPTH)	AK0800AS
36" LINER (17 1/8" - 20 1/2" DEPTH)	AK0836AS
RECIRCULATING KIT	ZRC-0100



TORNADO I power pack

Designed with great attention to detail, Tornado I provides you muscle and flexibility in a small, barely-visible package beneath your customized vent hood canopy. This 600-CFM power pack features dual-level halogen lighting, three blower speeds, decorative stainless steel filters and an angled housing unit for a better fit with any built-in canopy.

MODEL	SIZE	INTERNAL		IN-LINE/EXTERNAL	
		Max. CFM	Max. Sones	Max. CFM	Max. Sones
AK8100AS	27"	600	6	NA	NA



PRO-STYLE

FEATURES

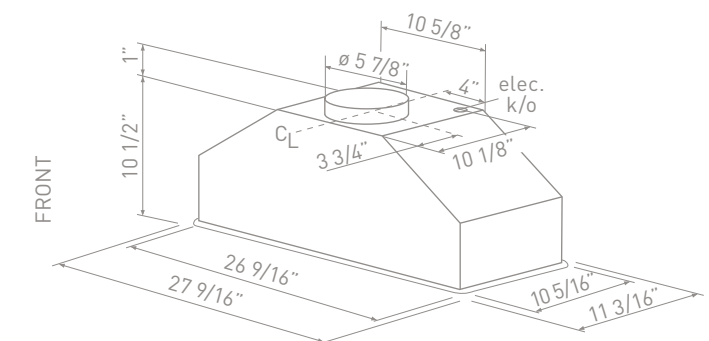
CONTROLS	Mechanical Slide
SPEED LEVELS	3
AUTO DELAY-OFF	No
LIGHTING	Halogen, 35W x 2
DUAL LEVEL LIGHTING	Yes
FILTERS	Decorative Mesh x 1
RECIRCULATING	No

DUCT SPECIFICATIONS

VERTICAL	6"
----------	----

OPTIONAL ACCESSORIES

30" LINER (17 1/8" - 20 1/2" DEPTH)	AK0800AS
36" LINER (17 1/8" - 20 1/2" DEPTH)	AK0836AS



TORNADO II power pack

If your ambitions call for professional-grade punch with all the amenities, Tornado II will be your best-kept secret, with powerful blower combinations and an adjustable-depth liner for more flexible installations. A stylish and discreet RF remote puts you in control. Dual-level halogen lights illuminate the surface below. Standard baffle filters enhance airflow and the polished look of your kitchen. Just choose the ventilation level that's right for you along with an optional, easy-to-install liner to complement your style.

MODEL	SIZE	INTERNAL		IN-LINE/EXTERNAL	
		Max. CFM	Max. Sones	Max. CFM	Max. Sones
AK8200AS	29"	1000	8	NA	NA



PRO-STYLE

FEATURES

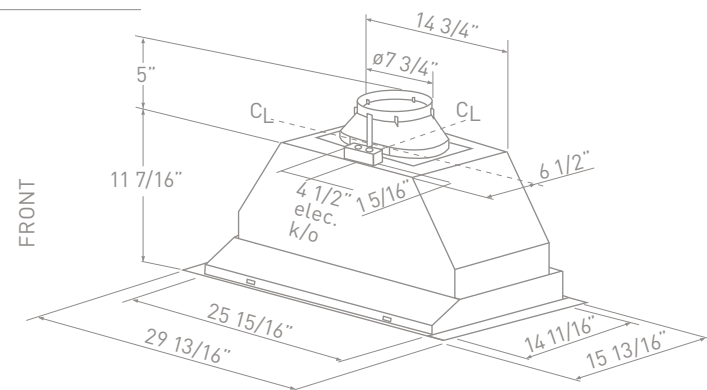
CONTROLS	Electronic Touch
SPEED LEVELS	3
AUTO DELAY-OFF	Yes
LIGHTING	Halogen, 35W x 2
DUAL LEVEL LIGHTING	Yes
FILTERS	Baffle x 2
RECIRCULATING	No
RF REMOTE CONTROL	Yes

DUCT SPECIFICATIONS

VERTICAL - DUAL	8"
-----------------	----

OPTIONAL ACCESSORIES

36" SS LINER (20 1/8" - 23 1/2" DEPTH)	AK0806AS
42" SS LINER (20 1/8" - 23 1/2" DEPTH)	AK0842AS



TORNADO III power pack

Tornado III takes the typical power pack up a notch, with multiple blower options to meet the most demanding chef's requirements. Three-speed electronic controls put you in command of either a 600- or 1000-CFM blower. Dual-level halogen lights illuminate the surface below, while the stylish RF remote puts you in command from up to 15 feet away. Just choose the ventilation level that's right for you along with an optional liner available in 48", 54" and 60" sizes.

MODEL	SIZE	INTERNAL		IN-LINE/EXTERNAL	
		Max. CFM	Max. Sones	Max. CFM	Max. Sones
AK8300ASX	38"	290 / 600 / 1000	3.2 / 6 / 8	1000	NA



PRO-STYLE

FEATURES

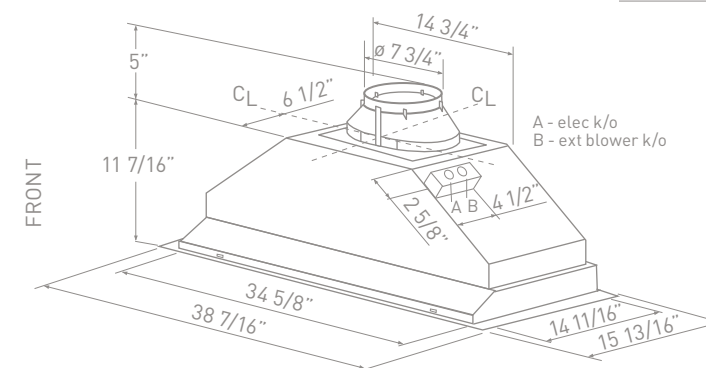
CONTROLS	Electronic Touch
SPEED LEVELS	3
AUTO DELAY-OFF	Yes
LIGHTING	Halogen, 35W x 4
DUAL LEVEL LIGHTING	Yes
FILTERS	Baffle x 3
RECIRCULATING	No
RF REMOTE CONTROL	Yes

DUCT SPECIFICATIONS

VERTICAL - SINGLE/DUAL	6" / 8"
IN-LINE / EXTERNAL	10" to 8"

OPTIONAL ACCESSORIES

48" SS LINER (20 1/8" - 23 1/2" DEPTH)	AK0848AS
54" SS LINER (20 1/8" - 23 1/2" DEPTH)	AK0854AS
60" SS LINER (20 1/8" - 23 1/2" DEPTH)	AK0860AS



CYPRESS outdoor

Cypress's seamlessly contoured, corrosion-resistant, 316-grade stainless steel canopy houses high-performance stainless steel baffle filters that enhance airflow and are dishwasher safe. Two-speed, marine-grade rocker controls withstand extreme heat and moisture. Options include a vinyl hood cover to protect the finish, even in salt water environments, and a 316-grade 12" duct cover.

MODEL	SIZE	INTERNAL		IN-LINE/EXTERNAL	
		Max. CFM	Max. Sones	Max. CFM	Max. Sones
AK7836ASX	36"	600 / 1100	6 / 8	1000	NA
AK7842ASX	42"	600 / 1100	6 / 8	1000	NA
AK7848ASX	48"	600 / 1100	6 / 8	1000	NA



OUTDOOR SERIES

FEATURES

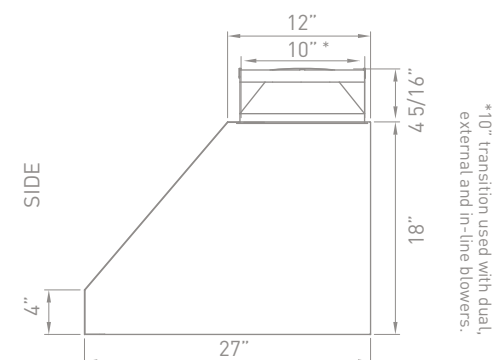
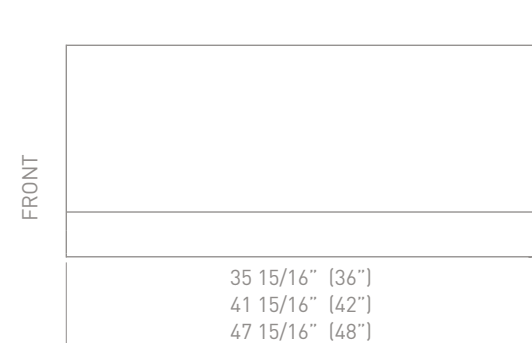
CONTROLS	Rocker Switch
SPEED LEVELS	2
AUTO DELAY-OFF	No
LIGHTING	
AK7836ASX & AK7842ASX	Halogen, 35W x 2
AK7848ASX	Halogen, 35W x 3
DUAL LEVEL LIGHTING	No
FILTERS	
AK7836ASX & AK7842ASX	Baffle x 3
AK7848ASX	Baffle x 4
RECIRCULATING	No

DUCT SPECIFICATIONS

VERTICAL - SINGLE / DUAL	6" / 10"
EXTERNAL / IN-LINE	10"

OPTIONAL ACCESSORIES

DUCT COVER (12")	
AK7836ASX	AK0736AS
AK7842ASX	AK0742AS
AK7848ASX	AK0748AS
PROTECTIVE COVER	
AK7836ASX	AK0636AB
AK7842ASX	AK0642AB
AK7848ASX	AK0648AB



WILLOW outdoor

Select either 316-grade corrosion-resistant stainless steel or galvanized steel with gray powder-coat protection. Willow's high performance stainless steel baffle filters enhance airflow, while being corrosion resistant and dishwasher safe. Two-speed, marine-grade rocker controls withstand extreme heat and moisture. Optional, easy-to-install liners are available in 36", 42", 48", 54" and 60" widths.

MODEL	SIZE	INTERNAL		IN-LINE/EXTERNAL	
		Max. CFM	Max. Sones	Max. CFM	Max. Sones
AK8800AS	29"	1000	8	NA	NA
AK8800AG	29"	1000	8	NA	NA



OUTDOOR SERIES

FEATURES

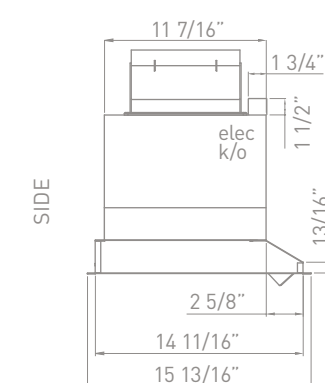
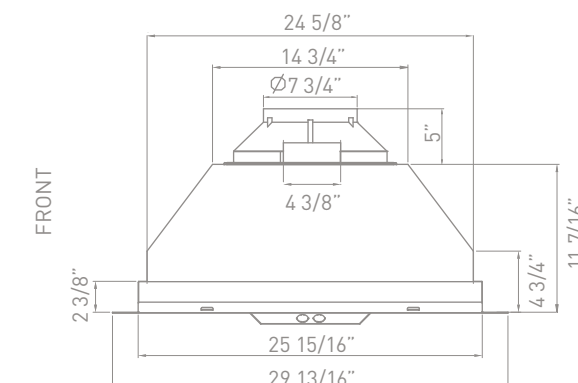
CONTROLS	Rocker Switch
SPEED LEVELS	2
AUTO DELAY-OFF	No
LIGHTING	Halogen, 35W x 2
DUAL LEVEL LIGHTING	No
FILTERS	Baffle x 2
RECIRCULATING	No

DUCT SPECIFICATIONS

VERTICAL	8"
----------	----

OPTIONAL ACCESSORIES

LINER, 36"	AK0886AS
LINER, 42"	AK0882AS
LINER, 48"	AK0888AS
LINER, 54"	AK0884AS
LINER, 60"	AK0880AS





FACE TO FACE

To learn more about making a statement in your home with a Zephyr hood, visit us online at zephyronline.com, where you can quickly locate a dealer near you on our "Where to Buy" page.

We would like to see you at our one-of-a-kind showroom located in the heart of San Francisco's vibrant Design District. Our display area is the largest of its kind in North America and offers you over 6,000 square feet of new ventilation discoveries.

THE ZEPHYR SHOWROOM
2277 Alameda Street at Potrero
San Francisco, California 94103



ZEPHYR

*We stand firmly behind our range hoods.
Our accurate and prompt customer
service team members will answer
any question regarding our products.
Contact us should you have any
questions about your Zephyr hood.*

1 888 880 VENT
ZEPHYRONLINE.COM
INFO@ZEPHYRONLINE.COM



ZEPHYR

THE ZEPHYR SHOWROOM
2277 Alameda Street at Potrero
San Francisco, California 94103

ZEPHYR CORPORATION
2277 Harbor Bay Parkway
Alameda, California 94502

1 888 880 VENT
ZEPHYRONLINE.COM

