

ANZIO wall

At home in either traditional or contemporary kitchens, Anzio is a low-profile, chimney-style range hood that will add style and value to any kitchen. Peaking at just over 5 1/4", the pyramid-like structure houses a powerful 600-CFM fan that quietly operates at 1.8 sones on the most common working speed. The three-speed fan is controlled by elegant, die-cut chrome electronic controls that are illuminated by LED indicator lights and prove to be an upgrade over most similarly priced range hoods.

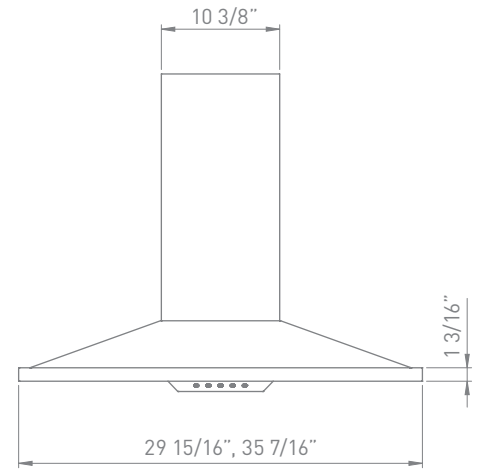
- Ultra-quiet 600-CFM blower
- Electronic LED controls
- Telescopic ducting up to 9.5' standard, optional ducting available up to 12'

MODEL	SIZE	INTERNAL BLOWER		IN-LINE/EXTERNAL	
		Min.-Max. CFM	Min.-Max. Sones	Min.-Max. CFM	Min.-Max. Sones
ZAN-E30AS	30"	240 - 600	1.8 - 6	NA	NA
ZAN-M90AS	36"	240 - 600	1.8 - 6	NA	NA
ZAN-E30AS290	30"	210 - 290	1.4 - 2.8	NA	NA
ZAN-M90AS290	36"	210 - 290	1.4 - 2.8	NA	NA

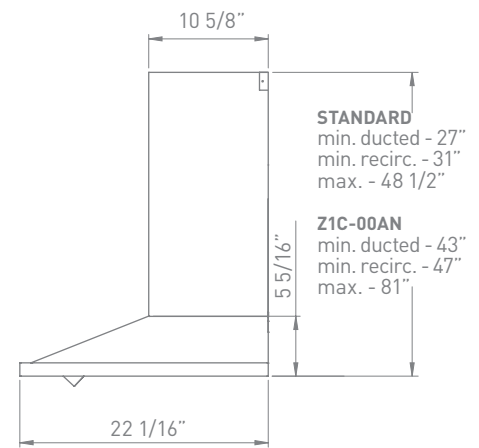


ANZIO WALL | EUROPA CLASSICS

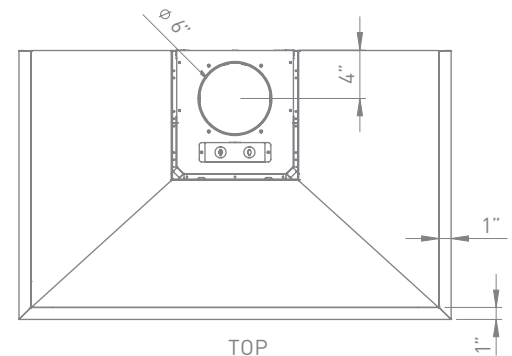
SIZE	
ZAN-E30AS / ZAN-E30AS290	30"
ZAN-M90AS / ZAN-M90AS290	36"
PERFORMANCE	
INTERNAL, MIN.-MAX. BLOWER CFM	
ZAN-E30AS / ZAN-M90AS	240 - 600
ZAN-E30AS290 / ZAN-M90AS290	210 - 290
INTERNAL, MIN.-MAX. SONES	
ZAN-E30AS / ZAN-M90AS	1.8 - 6
ZAN-E30AS290 / ZAN-M90AS290	1.4 - 2.8
COLOR	
STAINLESS STEEL	SS
FEATURES	
CONTROLS	Electronic LED
SPEED LEVELS	3
AUTO DELAY-OFF	No
LIGHTING	Halogen, 50W x2
DUAL LEVEL LIGHTING	Yes
FILTERS	Aluminum Mesh
RECIRCULATING OPTION	Yes
EXTENSION DUCT COVER OPTION	Yes, Up to 12' Ceiling
DUCT SPECIFICATIONS	
VERTICAL - INTERNAL	6"
HORIZONTAL - INTERNAL	NA
AC INPUT	
	120V - 60Hz
AC POWER	
ZAN-E30AS / ZAN-M90AS	Max. 400W at 3.3A
ZAN-E30AS290 / ZAN-M90AS290	Max. 170W at 1.5A
OPTIONAL ACCESSORIES	
RECIRCULATING KIT	ZRC-00AN
EXTENSION DUCT COVER	Z1C-00AN
MOUNTING HEIGHT*	
	26" - 34"



FRONT



SIDE



TOP

CEILING HEIGHT		8'	8.5'	9'	9.5'	10'	10.5'	11'	12'
STANDARD DUCT COVER	Ducted Mounting Height*	26"-33"	26"-34"	26"-34"	29.5"-34"	NA	NA	NA	NA
	Recirc. Mounting Height*	26"-29"	26"-34"	26"-34"	29.5"-34"	NA	NA	NA	NA
EXTENSION DUCT COVER	Ducted Mounting Height*	NA	NA	26"-29"	26"-34"	26"-34"	26"-34"	26"-34"	27"-34"
	Recirc. Mounting Height*	NA	NA	NA	26"-31"	26"-34"	26"-34"	26"-34"	27"-34"

*Mounting height refers to distance between top of a 36" tall cooking surface and bottom of hood.