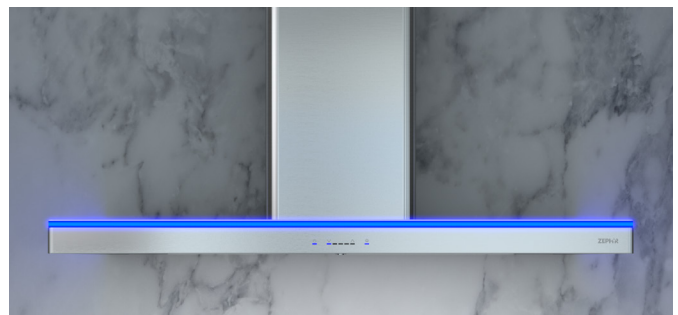
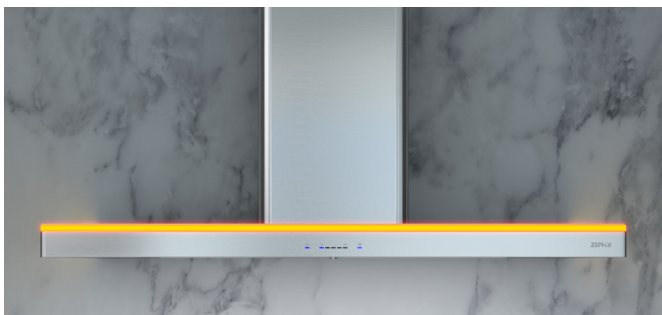
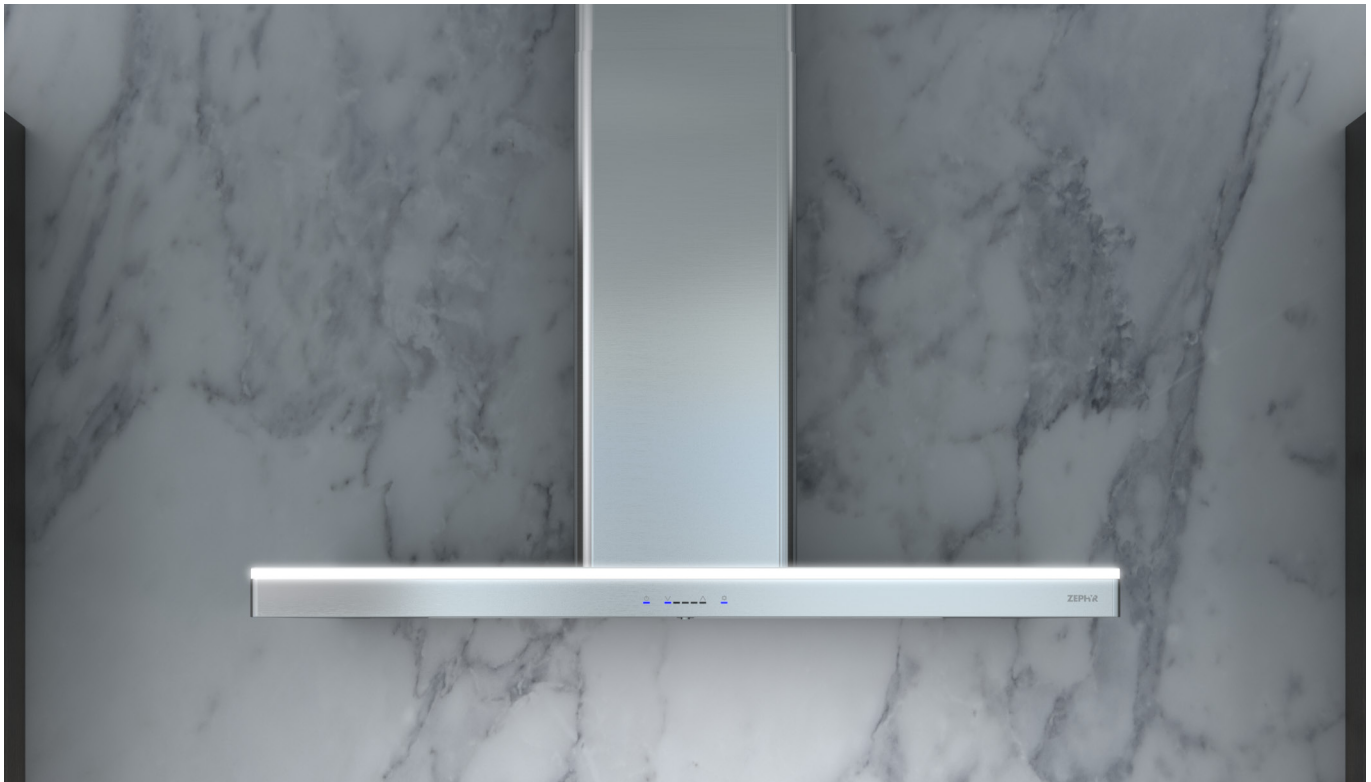


LUCÉ wall

Boasting an elegant slice of sleek stainless steel married with the subtle glamor of ambient lighting in Cloud White, Deep Blue and Amber, the Lucé is the (gorgeous) future of range hoods, here today. Featuring ACT™ technology, Bloom™ LED lighting, ICON Touch™ Controls and a versatile Recirculating Option.

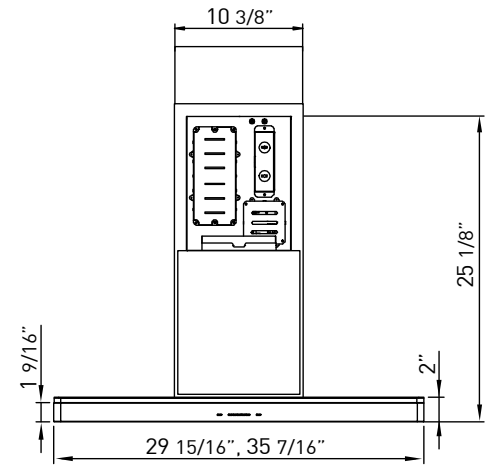
	INTERNAL BLOWER STANDARD	ACT™ INTERNAL BLOWER with AIRFLOW CONTROL TECHNOLOGY™	
Min.-Max. CFM	200 - 600	Min.-Max. CFM	200 - 390 200 - 290
Min.-Max. Sones	1 - 6	Min.-Max. Sones	1 - 4 1 - 3

ACT™ is a feature built into specific Zephyr hoods allowing you to limit the maximum blower CFM to meet local code requirements.

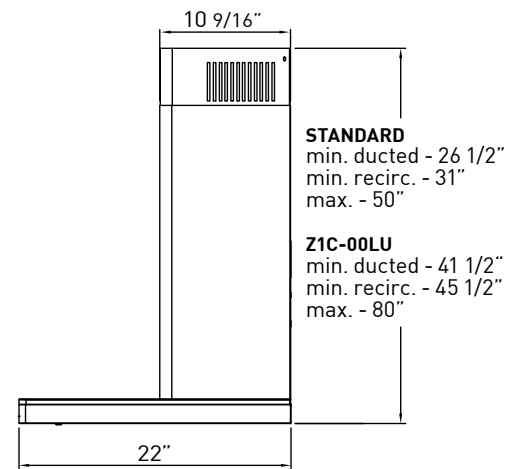


SIZE	
ZLU-E30AS	30"
ZLU-M90AS	36"
PERFORMANCE	
INTERNAL, MIN.-MAX. BLOWER CFM	200 - 600
INTERNAL, MIN.-MAX. SONES	1 - 6
COLOR	
STAINLESS STEEL	SS
FEATURES	
ACT™	Yes
CONTROLS	ICON Touch™
SPEED LEVELS	5*
5 MINUTE AUTO DELAY-OFF	Yes
LIGHTING	Bloom™ HD LED 6W x 2
DUAL LEVEL LIGHTING	Yes
LED ACCENT LIGHT	Yes; Cloud White, Deep Blue & Amber
FILTERS	Aluminum Mesh x 2
RECIRCULATING OPTION	Yes
EXTENSION DUCT COVER OPTION	Yes, Up to 12' Ceiling
DUCT SPECIFICATIONS	
VERTICAL - INTERNAL	6" Round
HORIZONTAL - INTERNAL	NA
AC POWER	
	120V, 60Hz at Max. 2.7A
OPTIONAL ACCESSORIES	
RECIRCULATING KIT	ZRC-00LU
EXTENSION DUCT COVER	Z1C-00LU
UNIVERSAL MAKE-UP AIR DAMPER	MUA006A
MOUNTING HEIGHT**	
	26" - 34"
WARRANTY	
	3 Years Parts, 1 Year Labor

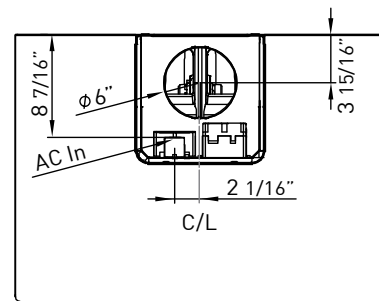
Specifications subject to change, check zephyronline.com for up-to-date information.



BACK



SIDE



TOP

CEILING HEIGHT		8'	8.5'	9'	9.5'	10'	10.5'	11'	12'
STANDARD DUCT COVER	Ducted Mounting Height**	26"-33.5"	26"-34"	26"-34"	28"-34"	34"-34"	NA	NA	NA
	Recirc. Mounting Height**	26"-29"	26"-34"	26"-34"	28"-34"	34"-34"	NA	NA	NA
EXTENSION DUCT COVER	Ducted Mounting Height**	NA	NA	26"-30.5"	26" - 34"	26"-34"	26"-34"	26"-34"	28"-34"
	Recirc. Mounting Height**	NA	NA	26"-26.5"	26" - 32.5"	26" - 34"	26"-34"	26"-34"	28"-34"

*When ACT™ is enabled the maximum speed levels will change. ACT 390 CFM = 4 speeds and ACT 290 CFM = 3 speeds.

**Mounting height refers to distance between top of a 36" tall cooking surface and bottom of hood.

