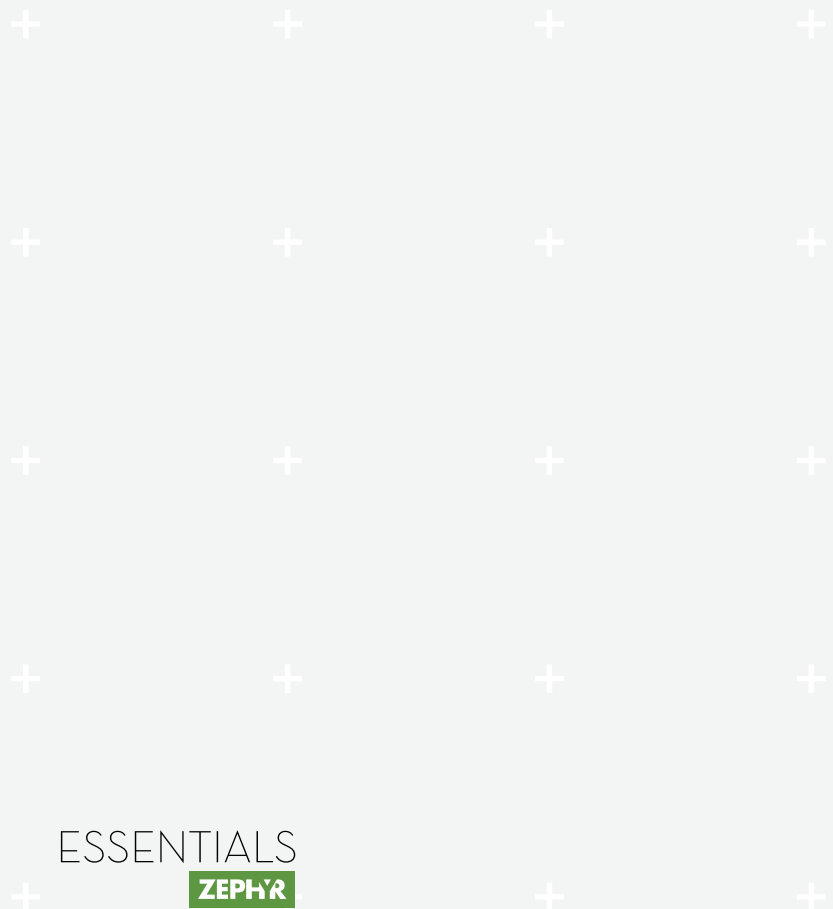
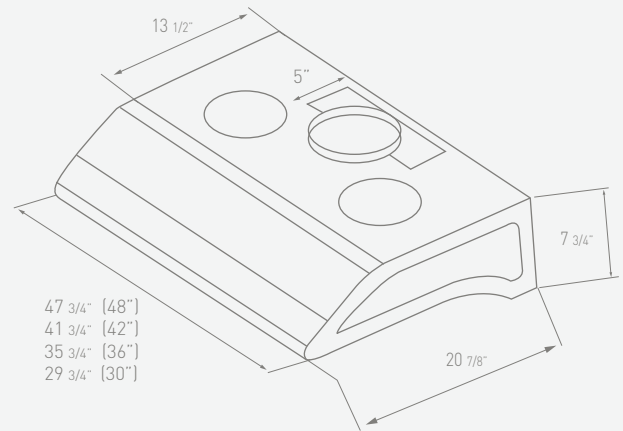


TYPHOON

One of the inspirations for founding Zephyr Ventilation was our idea that the strict geometry of the under-cabinet range hood could use some serious updating. First, we crafted a smooth, sophisticated curvature. Then, we pumped up the volume with a powerful, virtually noise-free 850-cfm blower. And dimmable halogen lights invite you and your guests to a warm respite from the everyday.



ESSENTIALS



TYPHOON

UNDER CABINET

MODEL	AK2100A / AK2136A	AK2142AS / AK2148AS
SIZE	30" / 36"	42" / 48"
NET WIDTH	29-3/4" / 35-3/4"	41-3/4" / 47-3/4"
PERFORMANCE		
Internal Blower	850 CFM	850 CFM
Internal Blower Sones	5	5
COLOR		
Black, Bisque, White, Stainless Steel	B,Q,W,SS	SS
FEATURES		
Controls	Electronic Touch	Electronic Touch
Speed Levels	6	6
Delay Off	Yes	Yes
Lighting	Halogen, 35W x 2	Halogen, 35W x 2
Dual Level Lighting	Yes	Yes
Removable Safety Grilles	2	2
Recirculating	No	No
Duct Cover Extension	NA	NA
Self Cleaning	Yes	Yes
DUCT SPECIFICATIONS		
Internal Blower - Vertical	7" or 3-1/4"x10"	7" or 3-1/4"x10"
Internal Blower - Horizontal	3-1/4"x10"	3-1/4"x10"
AC INPUT	120V - 60Hz	120V - 60Hz
AC POWER	Max. 280W at 2.4 Amps	Max. 280W at 2.4 Amps
Mounting Heights	Min. height 24" from cooking surface. Hood mounted 60" from floor.	Max. height 32" from cooking surface. Hood mounted 68" from floor.

