

ESSENTIALS



Redesigned with professional-grade performance and seamless contours, Tempest II gives you all of the advanced features of the Tempest I plus up to three new powerful internal and external blower options and sleek three-speed electronic controls. With dishwasher-safe, high-airflow baffle filters. An option heat lamp kit. And new ducting options to meet nearly any spec. It's everything the demanding cook could ask for - and more.

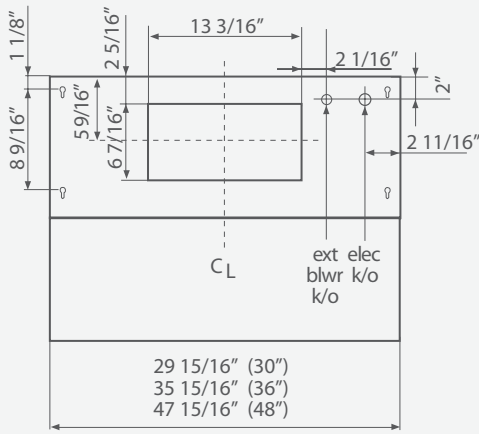


+ + + +
+ + + +
+ + + +
+ + + +
+ + + +
+ + + +
+ + + +
+ + + +
+ + + +
+ + + +
+ + + +
+ + + +

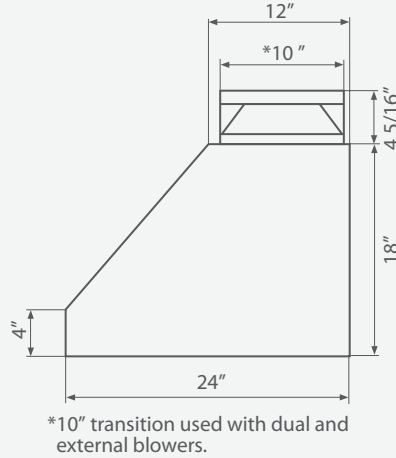
ESSENTIALS
ZEPHYR



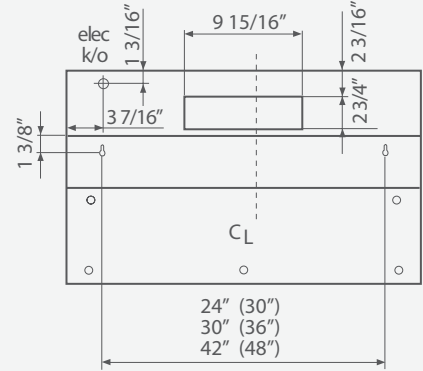
ESSENTIALS



top



side



back

TEMPEST II

WALL

MODEL	AK7500ASX	AK7536ASX	AK7548ASX
SIZE	30"	36"	48"
NET WIDTH	30"	36"	48"
PERFORMANCE			
*Internal Blower - Single/Dual	600 CFM/1100 CFM	600 CFM/1100 CFM	600 CFM/1100 CFM
*External Blower	1000 CFM	1000 CFM	1000 CFM
Sones - Single/Dual/External	6/8/NA	6/8/NA	6/8/NA
COLOR			
Stainless Steel	SS	SS	SS
FEATURES			
Controls	Electronic Touch	Electronic Touch	Electronic Touch
Speed Levels	3	3	3
Auto Delay-Off	Yes	Yes	Yes
Dual-Level Lighting	Halogen, 35W x 2	Halogen, 35W x 2	Halogen, 35W x 3
Filters	Baffle x 2	Baffle x 3	Baffle x 4
Recirculating	No	No	No
Duct Cover Extension	NA	NA	NA
DUCT SPECIFICATIONS			
Vertical - Single/Dual/External	6"/10"/10"	6"/10"/10"	6"/10"/10"
Horizontal	3-1/4"x10"	3-1/4"x10"	3-1/4"x10"
AC INPUT	120V - 60Hz	120V - 60Hz	120V - 60Hz
AC POWER			
With Single Internal Blower	390W, 3.25 amps	390W, 3.25 amps	425W, 3.55 amps
With Dual Internal Blower	710W, 5.95 amps	710W, 5.95 amps	745W, 6.25 amps
With External Blower	770W, 6.7 amps	800W, 6.7 amps	805W, 7 amps
With Heat Lamps	Add 500W, 4.2 amps	Add 500W, 4.2 amps	Add 500W, 4.2 Amps
OPTIONAL ACCESSORIES			
Back Splash w/ Warming Racks	AK0710	AK0716	AK0718
Duct Cover (12")	AK0720	AK0726	AK0728
Heat Lamps	AK0700BS	AK0706BS	AK0708BS

Height Accomodations Min. height 26" from cooking surface. Hood mounted 62" from floor. Max. height 36" from cooking surface. Hood mounted 72" from floor.

*Single Internal Blower (CBI-600B); Dual Internal Blower (PBI-1100A); External Blower (CBE-1000). All blowers are sold separately.

**Horizontal ducting is compatible with single internal blower only.

ESSENTIALS



Zephyr Corporation

395 Mendell Street
San Francisco, CA 94124

1.888.880.VENT

www.zephyronline.com sep07.0101

