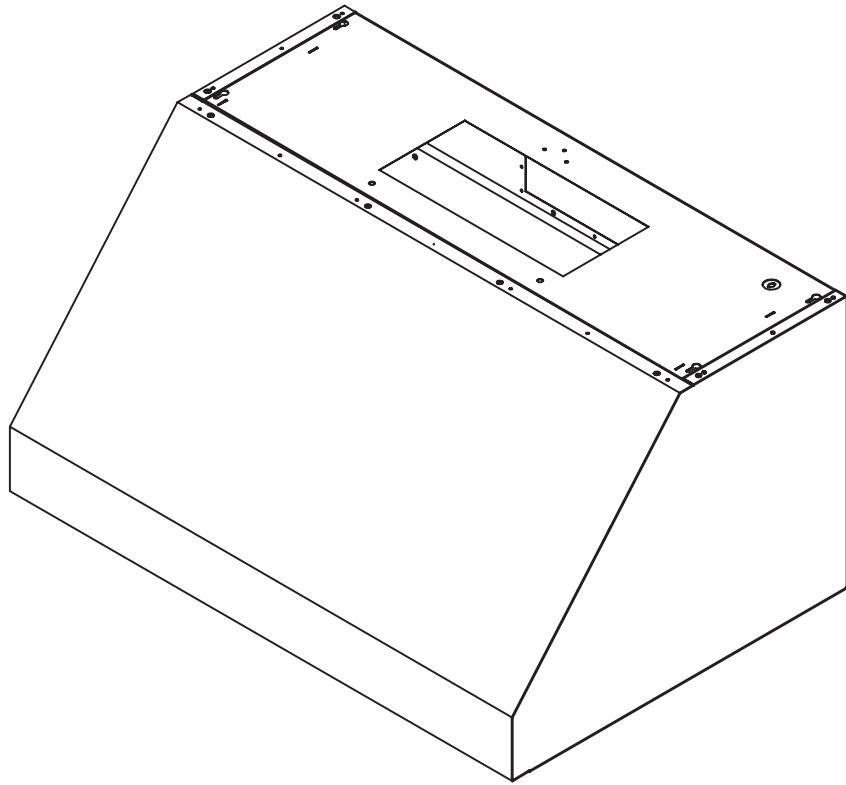


Use, Care, and Installation Guide

Cypress

AK7836ASX
AK7842ASX
AK7848ASX



INTENDED FOR OUTDOOR COVERED PATIO OR LANAI AREA.



Model number: _____

Serial Number: _____

Date of Purchase: _____

Sales Dealer: _____

AUG08.0101 © Zephyr Corporation

READ AND SAVE THESE INSTRUCTIONS

SAFETY NOTICE 2-3

LIST OF MATERIALS 4

INSTALLATION

 Ducting Calculation Sheet 5

 Mounting Height & Clearance 6

 Ducting Options 7

 Specifications 8

 Electrical 9

 Mounting the Range Hood 10

 Single and Dual Internal Blowers 11

 Remote Blower Preparation 12

FEATURES & CONTROLS

 Touch Controls 13

MAINTENANCE

 Cleaning and Filter Removal 14

 Lights 15

TROUBLESHOOTING 16

LIST OF PARTS AND ACCESSORIES 17

Important Safety Notice

WARNING

TO REDUCE THE RISK OF FIRE OR ELECTRIC SHOCK, DO NOT USE THIS FAN WITH ANY SOLID-STATE CONTROL DEVICE.

WARNING

TO REDUCE THE RISK OF FIRE ELECTRIC SHOCK, OR INJURY TO PERSONS, OBSERVE THE FOLLOWING:

- a. Use this unit only in the manner intended by the manufacturer, if you have questions, contact the manufacturer.
- b. Before servicing or cleaning unit, switch power off at service panel and lock panel to prevent power from being switched on accidentally. When the service disconnecting means cannot be locked, securely fasten a prominent warning device, such as a tag, to the service panel.
- c. This unit must be grounded and protected by a GFCI.
- d. Suitable for use in damp locations only when installed in a GFCI PROTECTED branch-circuit.

CAUTION

For general ventilating use only. Do not use to exhaust hazardous or explosive materials and vapors. Take care when using cleaning agents or detergents. Suitable for use in household cooking area.

WARNING

TO REDUCE THE RISK OF RANGE TOP GREASE FIRE:

- a. Never leave surface units unattended at high settings. Boilovers cause smoking and greasy spillovers that may ignite. Heat oils slowly on low or medium settings.
- b. Always turn hood ON when cooking at high heat or when flaming food
- c. Clean ventilating fans frequently. Grease should not be allowed to accumulate on fan or filter.
- d. Use proper pan size. Always use cookware appropriate for the size of the surface element.
- e. Keep fan, filters and grease laden surfaces clean.
- f. Use high setting on hood only when necessary.
- g. Don't leave hood unattended when cooking.
- h. Always use cookware and utensils appropriate for the type of and amount of food being prepared.

WARNING

TO REDUCE THE RISK OF INJURY TO PERSONS IN THE EVENT OF A RANGE TOP FIRE, OBSERVE THE FOLLOWING:

- a. SMOTHER FLAMES with a close-fitting lid, cookie sheet, or metal tray, then turn off the burner. BE CAREFUL TO PREVENT BURNS. If the flames do not go out immediately, EVACUATE AND CALL THE FIRE DEPARTMENT.
- b. NEVER PICK UP A FLAMING PAN – You may be burned.
- c. DO NOT USE WATER, including wet dishcloths or towels – a violent steam explosion will result.
- d. Use an extinguisher ONLY if:
 - 1. You know you have a Class ABC extinguisher, and you already know how to operate it.
 - 2. The fire is small and contained in the area where it started.
 - 3. The fire department is being called.
 - 4. You can fight the fire with your back to an exit

WARNING

TO REDUCE THE RISK OF FIRE, ELECTRIC SHOCK OR INJURY TO PERSONS, OBSERVE THE FOLLOWING:

- a. Installation work and electrical wiring must be done by qualified person(s) in accordance with all applicable codes and standards. Including fire-rated construction.
- b. Sufficient air is needed for power combustion and exhausting of gases through the flue (chimney) of fuel burning equipment to prevent back-drafting. Follow the heating equipment manufacturer's guideline and safety standards such as those published by the National Fire Protection Association (NFPA) and the American Society for Heating, Refrigeration and Air Conditioning Engineers (ASHRAE) and the local code authorities.
- c. When cutting or drilling into wall or ceiling, do not damage electrical wiring and other hidden utilities.
- d. Ducted fans must always vent to the outdoors.
- e. If this unit is to be installed over a tub or shower, it must be marked as appropriate for the application and be connected to a GFI (Ground Fault Interrupter protected branch circuit).
- g. NEVER place a switch where it can be reached from a tub or shower.
- h. Make sure the power is off before installing, wiring or maintenancing.

WARNING

TO REDUCE THE RISK OF FIRE, USE ONLY METAL DUCTWORK.

CAUTION

To reduce risk of fire and to properly exhaust air outside - Do not vent exhaust air into spaces within walls, ceilings, attics, crawl spaces or garages.

OPERATION

Always leave safety grilles and filters in place. Without these components, operating blowers could catch onto hair, fingers and loose clothing.

The manufacturer declines all responsibility in the event of failure to observe the instructions given here for installation, maintenance and suitable use of the product. The manufacturer further declines all responsibility for injury due to negligence and the warranty of the unit automatically expires due to improper maintenance.

***NOTE: Please check www.zephyronline.com for revisions before doing any custom work.**

ELECTRICAL REQUIREMENTS

Important:

Observe all governing codes and ordinances.

It is the customer's responsibility:

- To contact a qualified electrical installer.
- To assure that the electrical installation is adequate and in conformance with National Electrical Code, ANSI/NFPA 70 latest edition* or CSA standards C22.1-94, Canadian Electrical Code, Part 1 and C22.2 No.0-M91 - latest edition** and all local codes and ordinances.

If codes permit and a separate ground wire is used, it is recommended that a qualified electrician determine that the ground path is adequate.

Do not ground to a gas pipe.

Check with a qualified electrician if you are not sure the range hood is properly grounded.

Do not have a fuse in the neutral or ground circuit.

*National Fire Protection Association Batterymarch Park, Quincy, Massachusetts 02269

** CSA International 8501 East Pleasant Valley Road, Cleveland, Ohio 44131-5575

This appliance requires a 120V 60Hz electrical supply and connected to an individual properly grounded branch circuit protected by a 15 or 20 ampere circuit breaker or time delay fuse. Wiring must be 2 wire with ground. Please also refer to Electrical Diagram on product.

A cable locking connector (not supplied) might also be required by local codes. Check with local requirements, purchase and install appropriate connector if necessary.

AK7836ASX, 70 Watts, 0.58 Amps

AK7842ASX, 70 Watts, 0.58 Amps

AK7848ASX, 105 Watts, 0.87 Amps

AC power listed above is for hood with lights only. See blower specs on our website for more AC power details.

INTENDED FOR OUTDOOR COVERED PATIO OR LANAI AREA.
SUITABLE FOR USE IN DAMP LOCATIONS WHEN INSTALLED IN A **GFCI PROTECTED BRANCH-CIRCUIT.**

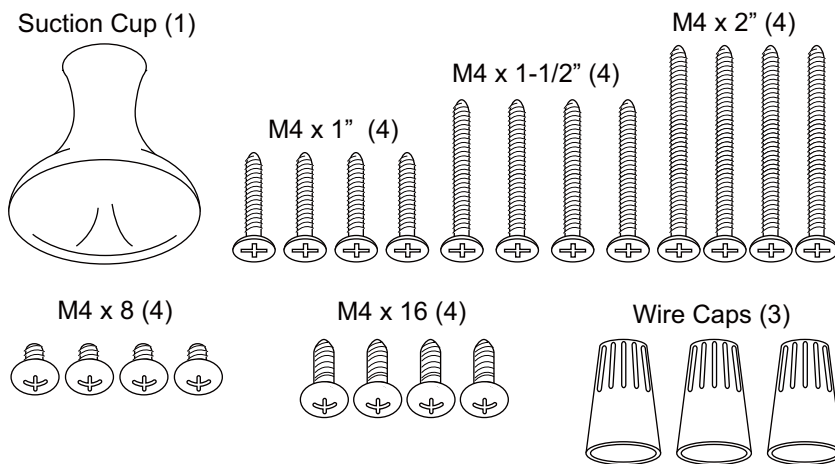
List of Materials

MODELS: AK7836ASX, AK7842ASX, AK7848ASX

PARTS SUPPLIED

- 1 - Hood
- 3 - Baffle filters (4 for AK7848ASX)
- 2 - Halogen light bulbs (3 for AK7548ASX) (*pre-installed*)
- 1 - 10" round transition adapter (*for dual internal and external blowers*)
- 1 - External blower wiring (*for external and in-line blower*)
- 1 - Hardware package




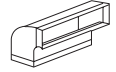
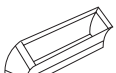

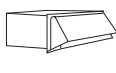
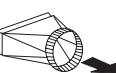



HARDWARE PACKAGE CONTENTS

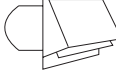


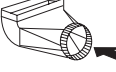








PARTS NOT SUPPLIED

- Ducting, conduit and all installation tools
- Cable connector (if required by local codes)
- Single Internal Blower (CBI-600B)
- Dual Internal Blower (PBI-1100A)
- External Blower (CBE-1000)
- In-Line Blower (PBN-1000A)
- Duct Cover Accessory
- Outdoor Hood Cover Accessory
- Wood Board to hang hood (W x D x H)
 - AK7836ASX - 34" x 3/4" x 4"
 - AK7842ASX - 40" x 3/4" x 4"
 - AK7848ASX - 46" x 3/4" x 4"

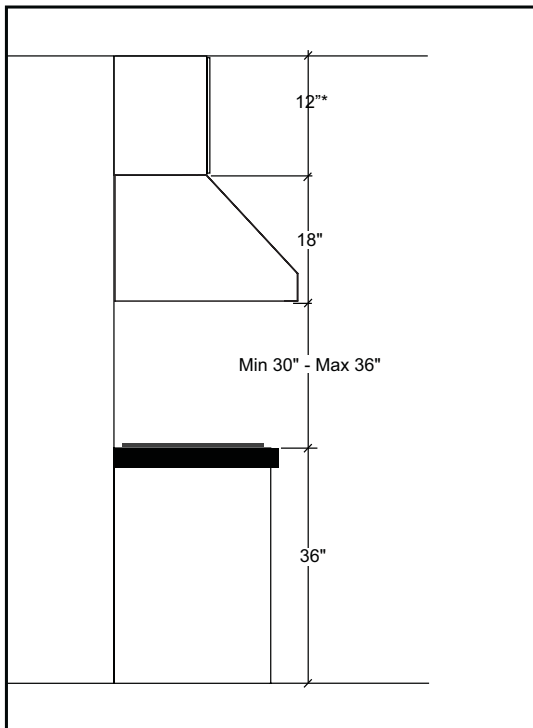
Installation – Ducting Calculation Sheet

Duct pieces		Equivalent number length x used =	Total
	3-1/4" x 10" Rect., straight	1 Ft. x () =	Ft.
	6" Round, straight	1 Ft. x () =	Ft.
	7"-10" Round, straight	1 Ft. x () =	Ft.
	3-1/4" x 10" Rect. 90° elbow	15 Ft. x () =	Ft.
	3-1/4" x 10" Rect. 45° elbow	9 Ft. x () =	Ft.
	3-1/4" x 10" Rect. 90° flat elbow	24 Ft. x () =	Ft.
	3-1/4" x 10" Rect. wall cap with damper	30 Ft. x () =	Ft.
	3-1/4" x 10" Rect. to 6" round transition	5 Ft. x () =	Ft.
	3-1/4" x 10" Rect. to 6" round transition 90° elbow	20 Ft. x () =	Ft.
	6" Round, 90° elbow	15 Ft. x () =	Ft.
	6" Round, 45° elbow	9 Ft. x () =	Ft.
Subtotal column 1 =			Ft.

Duct pieces		Equivalent number length x used =	Total
	6" Round wall cap with damper	30 Ft. x () =	Ft.
	6" Round, roof cap	30 Ft. x () =	Ft.
	6" round to 3-1/4" x 10" rect. transition	1 Ft. x () =	Ft.
	6" round to 3-1/4" x 10" rect. transition 90° elbow	16 Ft. x () =	Ft.
	7" - 10" Round, 90° elbow	15 Ft. x () =	Ft.
	7" - 10" Round, 45° elbow	9 Ft. x () =	Ft.
	7" - 10" Round wall cap with damper	30 Ft. x () =	Ft.
	7" - 10" Round, roof cap	30 Ft. x () =	Ft.
	7" round to 3 1/4" x 10" rect. transition	8 Ft. x () =	Ft.
	7" round to 3-1/4" x 10" rect. transition 90° elbow	23 Ft. x () =	Ft.
Subtotal column 2 =			Ft.
Subtotal column 1 =			Ft.
Total ductwork =			Ft.

Maximum Duct Length: For satisfactory air movement, the total duct length should not exceed 100 equivalent feet.

Installation – Mounting Height & Clearance



*shown with 12" duct cover

Minimum mount height between range top to hood bottom should be no less than 30".

Maximum mount height should be no higher than 36".

It is important to install the hood at the proper mounting height. Hoods mounted too low could result in heat damage and fire hazard; while hoods mounted too high will be hard to reach and will lose its performance and efficiency.

If available, also refer range manufacturer's height clearance requirements and recommended hood mounting height above range.

Vertical Ducting:
 6" round minimum (single blower)
 10" round minimum (dual, in-line, and external blowers)

No horizontal option available

DUCTING

A minimum of 6" round or 3-1/4" x 10" rectangular duct must be used to maintain maximum air flow efficiency for single blower and 10" round duct for dual, in-line, and external blowers.

Always use rigid type metal ducts only. Flexible ducts could restrict air flow by up to 50%.

Also use calculation (on page 5) to compute total available duct run when using elbows, transitions and caps.

ALWAYS, when possible, reduce the number or transitions and turns. If long duct run is required, increase duct size.

If turns or transitions are required; install as far away from hood duct output and as far apart, between the two as possible.

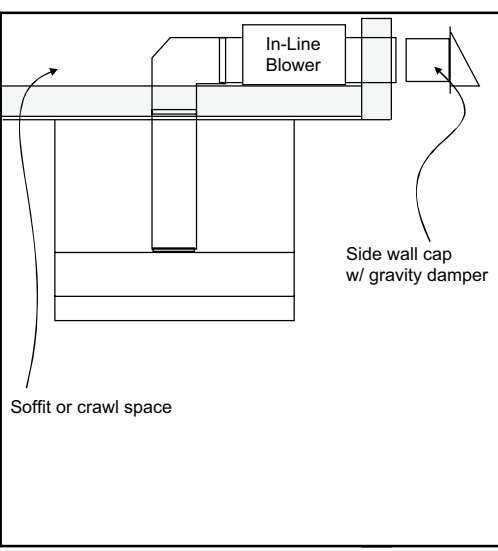
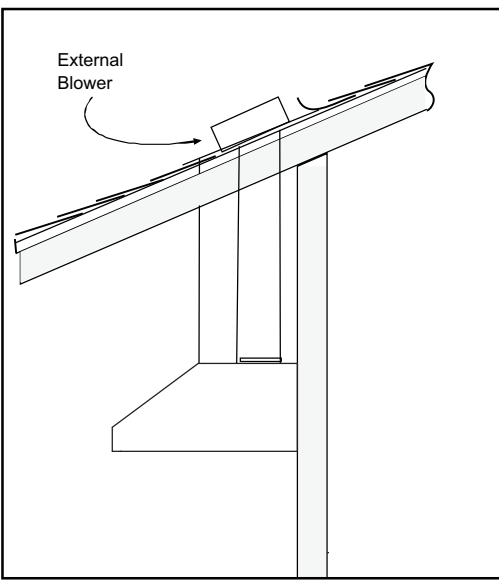
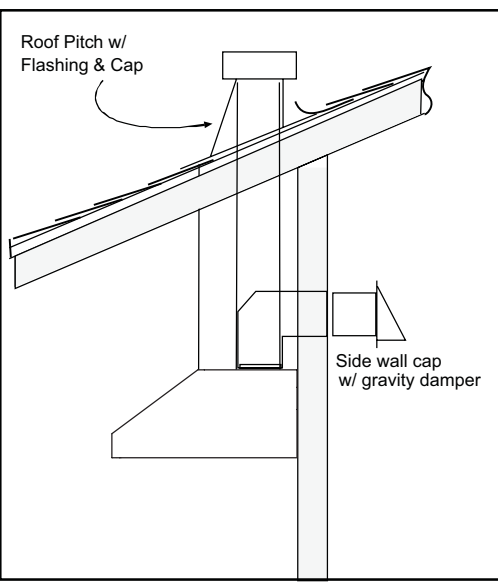
WARNING FIRE HAZARD

NEVER exhaust air or terminate duct work into spaces between walls, crawl spaces, ceiling, attics or garages. All exhaust must be ducted to the outside.

Use metal ductwork only.

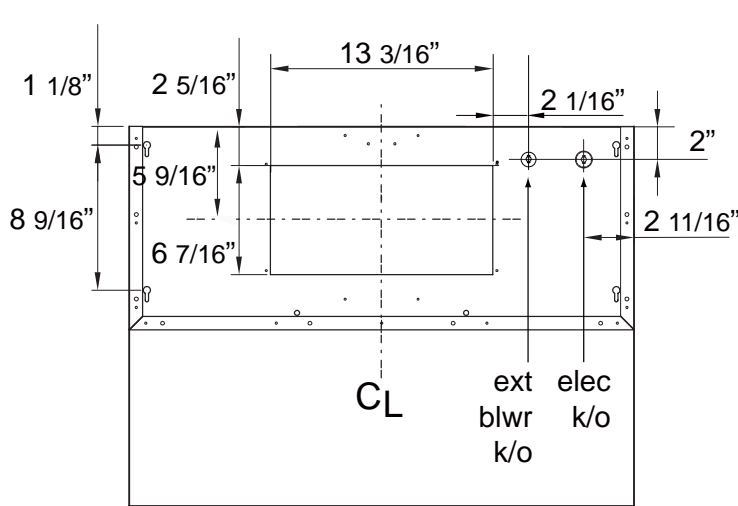
Fasten all connections with sheet metal screws and tape all joints with certified Silver Tape or Duct Tape.

Some Ducting Options

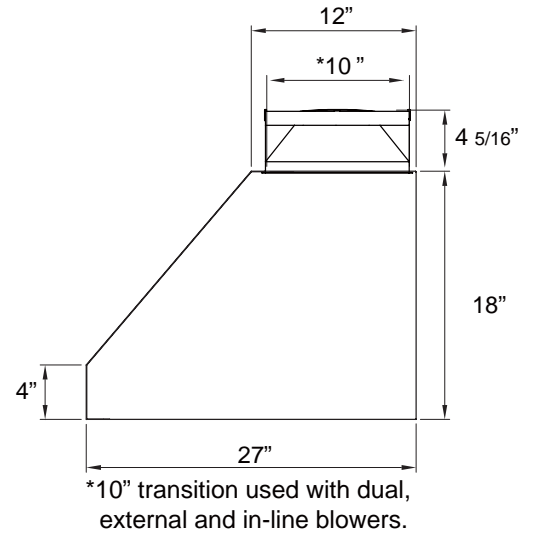


Installation – Specifications

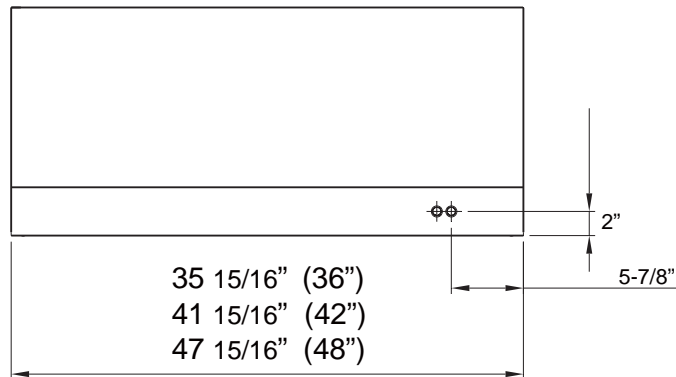
Marine Grade 316S Body



top



side



front

ELECTRICAL WARNING

All Electrical work must be performed by qualified electrician or person with similar technical know how and background.

For personal safety, remove house fuse or open circuit breaker before beginning installation. Do not use extension cord or adapter plug with this appliance.

Follow national electrical codes or prevailing local codes and ordinances.

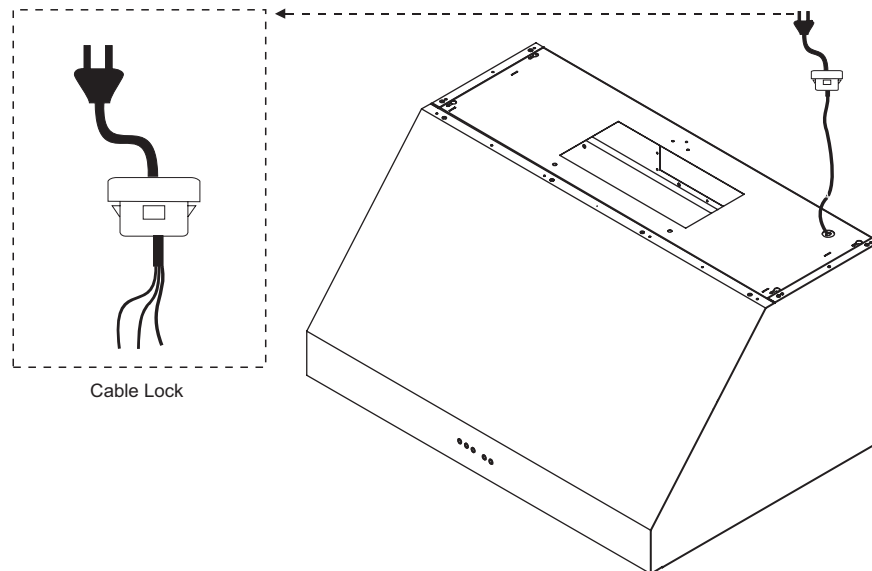
Electrical Supply:

This appliance requires a 120V 60Hz electrical supply, and connected to an individual, properly grounded branch circuit, protected by a 15 or 20 ampere circuit breaker or time delay fuse. Wiring must be 2 wire w/ ground. Please also refer Electrical Diagram labeled on product.

Cable Lock:

A cable locking connector (not supplied) might also be required by local codes. Check with local requirements and codes, purchase and install appropriate connector if necessary.

⚠ CAUTION: This unit must be grounded and protected by a GFCI.
Suitable for use in damp locations only when installed in a GFCI PROTECTED branch-circuit.



Installation – Mounting the Range Hood

⚠ CAUTION: At least two installers are required due to the weight and size of the hood.

1. Measure distance from range top to hood bottom (**30" min**) Level and mark line A.
2. Plum and mark center line.
3. Mark mounting height line B. (**12 3/8" from line A**)
(This is the top of the board used to hang the hood)
4. Mark center line of wood board and align top of board with line B. Secure wood board to studs using (4) M4 wood screws. *Wood Board Dimensions: (W x D x H)*
AK7836ASX - 34" x 3/4" x 4"
AK7842ASX - 40" x 3/4" x 4"
AK7848ASX - 46" x 3/4" x 4"
5. Hang hood on wood board and secure using (4) M4 x 16 screws.
NOTE: Due to the weight of this hood, ensure that the wood strip is attached to every available stud, not into the drywall alone.
6. Install blower(s). **Turn to page 11 for blower installation instructions.**
7. Install electrical.
8. Install duct work and duct tape.
9. Power up hood and check for leaks around duct tape.
10. Install optional accessories: duct cover (**fig. 2**). For more detailed instructions refer to manual included with each accessory.
11. Reinstall baffle filters.

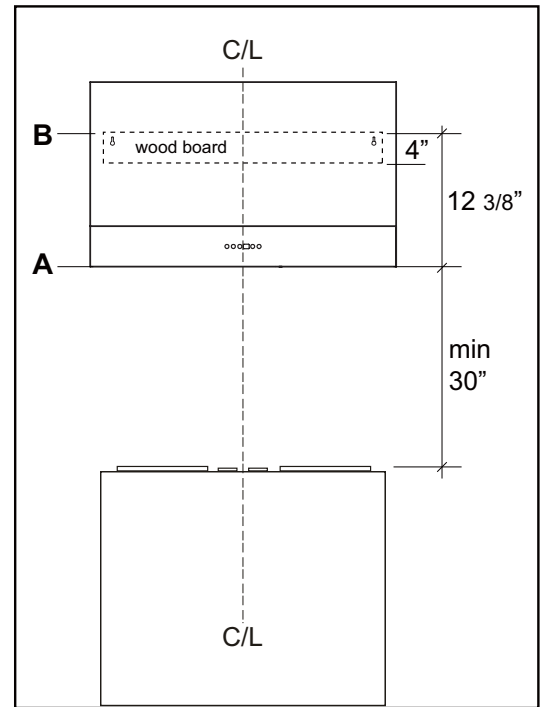


fig. 1

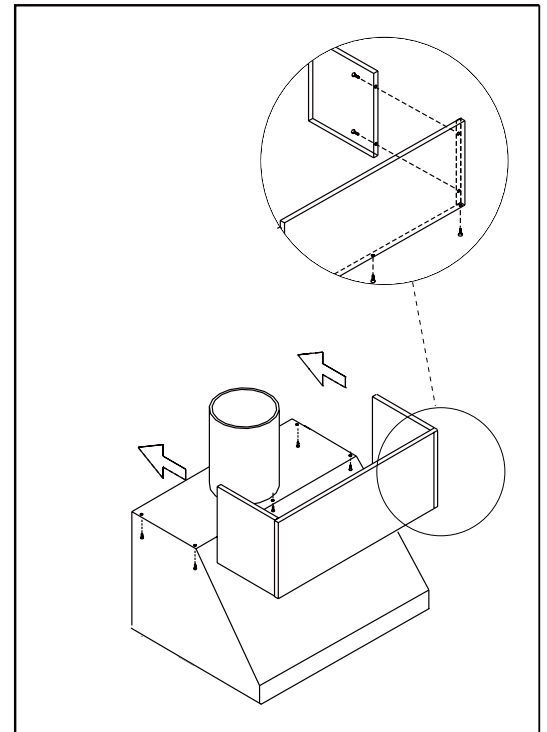
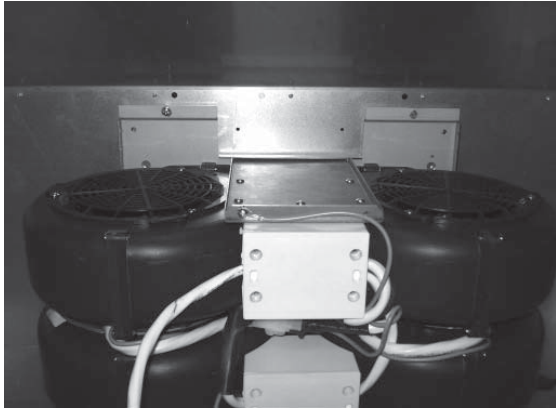
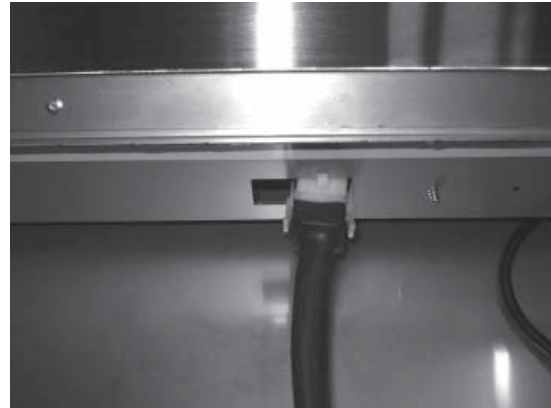


fig. 2

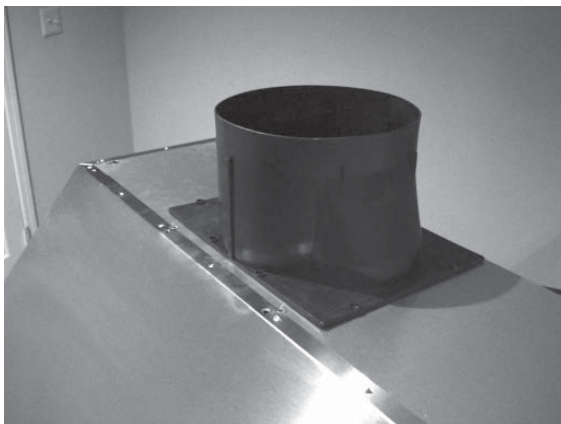
CBI-600B AND PBI-1100A BLOWER INSTALLATION



1. Position blower plate over bracket on inside back of hood and pivot up. Secure plate to hood with (2) 10x3/16" screws. (blower pictured is a PBI-1100A)



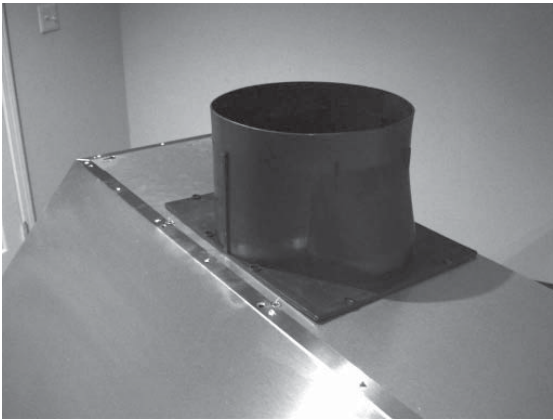
2. Connect male end of blower wire to female plug in the hood. (plug is located inside the hood behind the control panel)



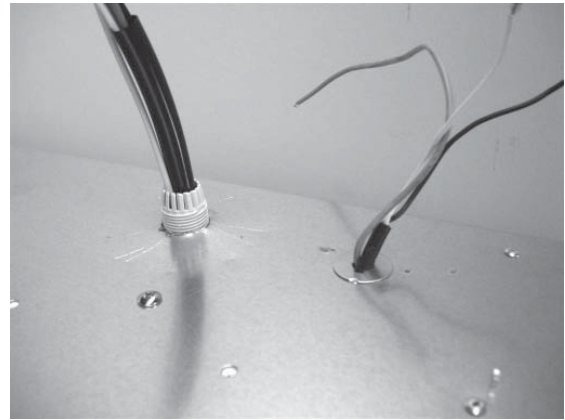
3. **Single Blower** – Connect 6" round duct work to blower collar.
Dual Blower – Place 10" round adapter on top of hood and secure with (4) M4x8 screws.
Connect 10" round duct work to 10" round adapter.

Installation – Remote Blower Preparation

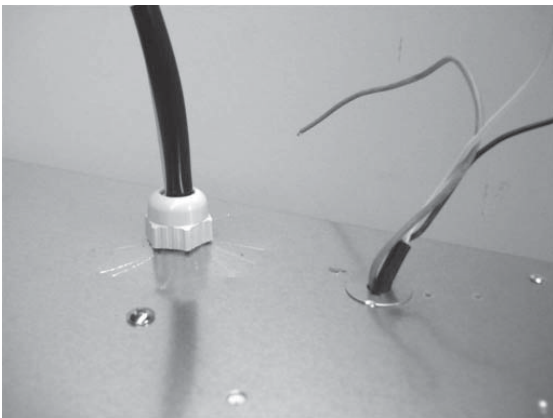
CBE-1000 EXTERNAL OR PBN-1000A IN-LINE BLOWER INSTALLATION



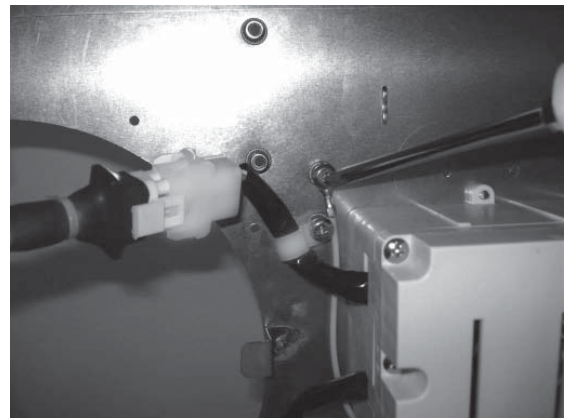
1. Place 10" round adapter on top of hood and secure with (4) M4x8 screws. Connect 10" round duct work to 10" round adapter.



2. Install threaded end of external blower wiring through external blower knock out located inside the hood.



3. Place cap over threaded end of external blower wiring and secure by turning clockwise.

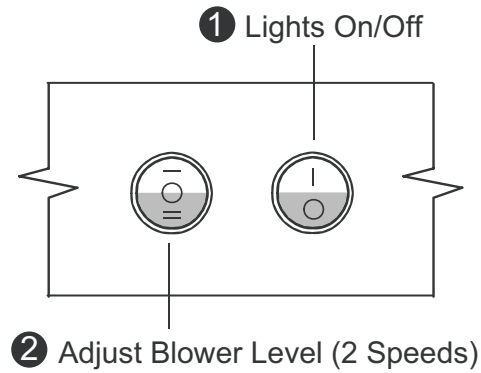


4. Connect 6 pin male connector from external blower wiring to 6 pin female connector on control board wire inside hood. Secure green ground wire from external blower wiring to ground screw on hood.

REMOTE BLOWER: WIRING DIAGRAM



NOTE: For instructions on mounting the external and in-line blowers, please refer to the manual included in the blower packaging or on our website: www.zephyronline.com



1 Light On/Off

By pressing , the light is switched On and Off. | is on, ○ is off.

2 Blower Speed Selection

The 2 speed levels are selected by switching to — for level one and = for level two. Switching the rocker switch to middle ○ will turn off the blower.

SURFACE MAINTENANCE:

Clean periodically with hot soapy water and clean cotton cloth. Do not use corrosive or abrasive detergent, or steel wool/scouring pads which will scratch and damage surface. Do not use products containing chlorine bleach or orange cleaners.

For heavier soil use liquid degreaser.

After cleaning, you may use non-abrasive stainless steel polish/ cleaners, to polish and buff out the stainless luster and grain. Always scrub lightly using a micro fiber or clean cotton cloth and with grain.

Stainless Steel Baffle Filters

The stainless steel baffle filters are intended to trap residue and grease from cooking. Although the filters should never need replacing, they are required to be cleaned every 30 days or more often depending on cooking habits.

Filters may be placed in dishwasher at low heat or soaked in hot soapy water. Dry filters and re-install before using hood.

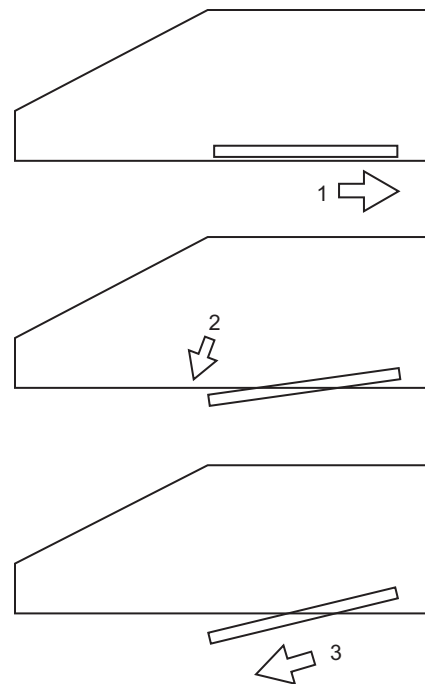
Removing Baffle Filters

1. Push filter toward back of range hood using handles.
2. Pivot front of filter downward.
3. Remove filter by pulling away from hood.

Replacing Baffle Filters

Hood Model:	Part No.	Qty. to Order.
AK7836ASX	50210009	3
AK7842ASX	50210009	3
AK7848ASX	50210009	4

⚠ CAUTION: If this hood is installed in a salt water area (e.g. coast), rinse all surfaces once a week with clear water even if the hood is not used. Wipe and dry completely after rinsing.



REPLACING LIGHT BULBS

CAUTION: Light bulb becomes extremely hot when turned on.

DO NOT touch bulb until switched off and cooled. Touching hot bulbs could cause serious burns.

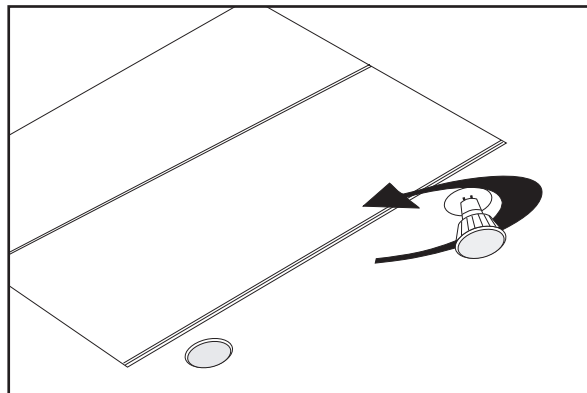
Make sure all power is turned off and bulbs are not hot.

Remove by turning bulb counter clockwise. **Note:** Bulb does not unscrew; it turns 60 degrees, stops and falls out.

If bulbs are difficult to turn due to prolonged use, firmly attach a glass suction cup approximately the diameter of the bulb or use a rubber/latex glove and turn counter clockwise.

Replacement bulbs are available at specialty lighting stores. Purchase type MR16 (GU-10) 35W halogen.

For Zephyr part numbers please turn to page 17 of the manual.



Troubleshooting

TROUBLESHOOTING PROCEDURES FOR CYPRESS

Issue	Cause	What to do
After installation, the unit doesn't work.	1. The power source is not turned ON.	1. Make sure the circuit breaker and the unit's power is ON.
	2. The power line and the cable locking connector is not connecting properly.	2. Check the power connection with the unit is connected properly.
	3. The switch board and control board wirings are disconnected.	3. Make sure the wirings between the switch board and control board are connected properly.
	4. The wires on control board are loose.	4. Make sure the wires on the control board are connected properly.
	5. The switch board or control board is defective.	5. Change the switch board or control board.
Light works, but motor is not turning.	1. The motor is defective, possible seized.	1. Change the motor.
	2. The thermally protected system detects if the motor is too hot to operate and shuts the motor down.	2. The motor will function properly after the thermally protected system cool down.
	3. Damaged capacitor.	3. Change the capacitor.
	4. The motor wire is not connected.	4. Make sure the motor wire is plugged into the molex connector.
The unit is vibrating.	1. The motor is not secure in place.	1. Tighten the motor in place.
	2. Damaged blower wheel.	2. Change the blower.
	3. The hood is not secured in place.	3. Check the installation of the hood.
The motor is working, but the lights are not.	1. Defective halogen bulb.	1. Change the halogen bulb.
	2. The light bulb is loose.	2. Tighten the light bulb.
	3. The wires on the control board are loose.	3. Make sure the wires on control board are connected properly.
The hood is not venting out properly.	1. The hood might be hanging to high from the cook top.	1. Adjust the distance between the cook top and the bottom of the hood within 26" and 36" range.
	2. The wind from the opened windows or opened doors in the surrounding area are affecting the ventilation of the hood.	2. Close all the windows and doors to eliminate the outside wind flow.
	3. Blockage in the duct opening or duct work.	3. Remove all the blocking from the duct work or duct opening.
	4. The direction of duct opening is against the wind.	4. Adjust the duct opening direction.
	5. Using the wrong size of ducting.	5. Change the ducting to correct size.
Heat lamp is not working.	1. Toggle switch is not in the on position.	1. Make sure the heat lamp power is ON.
	2. Heat lamp bulb is defective.	2. Change the heat lamp bulb.
	3. Heat lamp bulb is loose.	3. Tighten the heat lamp bulb.
Metal filter is vibrating.	1. Metal filter is loose.	1. Change the metal filter.
	2. Spring clip is broken.	2. Change the spring clip.

DESCRIPTION	PART #
Replacement Parts	
Light Bulb MR16 (GU10) 35W (each)	Z0B-0023
Baffle Filter (each)	50210009
Optional Accessories	
Single Internal Blower	CBI-600B
Dual Internal Blower	PBI-1100A
External Blower	CBE-1000
In-Line Blower	PBN-1000A
Vinyl Cover (36")	AK0636AB
Vinyl Cover (42")	AK0642AB
Vinyl Cover (48")	AK0648AB
12" Duct Cover (36")	AK0736AS
12" Duct Cover (42")	AK0742AS
12" Duct Cover (48")	AK0748AS

To order parts, visit us online at <http://store.zephyronline.com> or call us at 1.888.880.8368