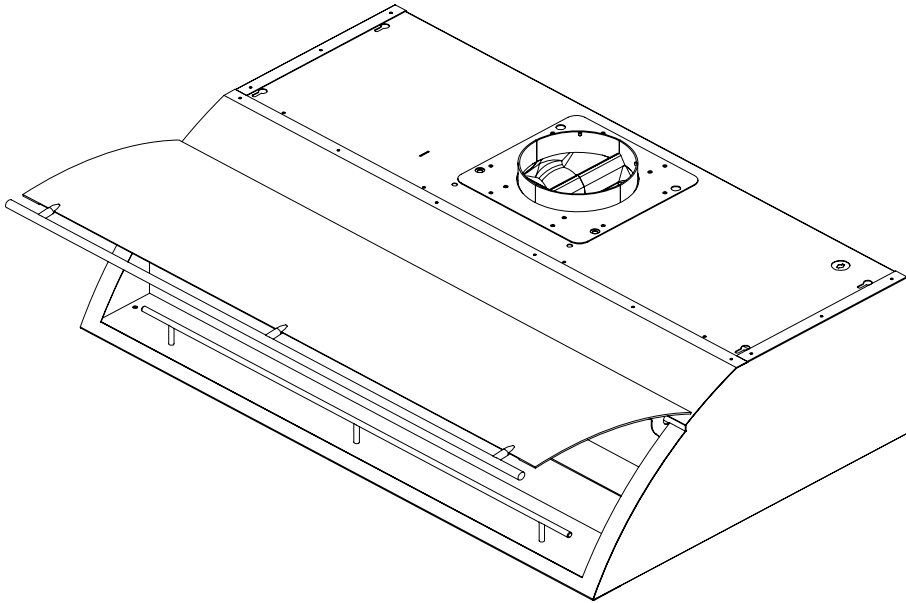


# Use, Care, and Installation Guide

## CACHE

CCA-E30ASX  
CCA-E36ASX  
CCA-E48ASX



Model number: \_\_\_\_\_

Serial Number: \_\_\_\_\_

Date of Purchase: \_\_\_\_\_

Sales Dealer: \_\_\_\_\_

DEC06.0101 © Zephyr Corporation

**READ AND SAVE THESE INSTRUCTIONS**



**SAFETY NOTICE** ..... 2-3

**LIST OF MATERIALS** ..... 4

**INSTALLATION**

- Ducting Calculation Sheet ..... 5
- Mounting Height & Clearance ..... 6
- Ducting Options ..... 7
- Hood Specifications ..... 8
- Preparing the Electrical Wires ..... 9
- Internal Blower (Vertical Ducting) ..... 10-11
- Internal Blower (Horizontal Ducting) ..... 12-13
- External Blower Preparation ..... 14
- Mounting the Range Hood ..... 15

**FEATURES & CONTROLS**

- Touch Controls ..... 16

**MAINTENANCE**

- Cleaning and Installing Filters ..... 17
- Lights ..... 18

**TROUBLESHOOTING** ..... 19

**Important Safety Notice**

**WARNING**

TO REDUCE THE RISK OF FIRE OR ELECTRIC SHOCK, DO NOT USE THIS FAN WITH ANY SOLID-STATE CONTROL DEVICE.

**WARNING**

TO REDUCE THE RISK OF FIRE ELECTRIC SHOCK, OR INJURY TO PERSONS, OBSERVE THE FOLLOWING:

- a. Use this unit only in the manner intended by the manufacturer, if you have questions, contact the manufacturer.
- b. Before servicing or cleaning unit, switch power off at service panel and lock panel to prevent power from being switched on accidentally. When the service disconnecting means cannot be locked, securely fasten a prominent warning device, such as a tag, to the service panel.

**CAUTION**

For general ventilating use only. Do not use to exhaust hazardous or explosive materials and vapors. Take care when using cleaning agents or detergents. Suitable for use in household cooking area.

**WARNING**

TO REDUCE THE RISK OF RANGE TOP GREASE FIRE:

- a. Never leave surface units unattended at high settings. Boilovers cause smoking and greasy spillovers that may ignite. Heat oils slowly on low or medium settings.
- b. Always turn hood ON when cooking at high heat or when flaming food
- c. Clean ventilating fans frequently. Grease should not be allowed to accumulate on fan or filter.
- d. Use proper pan size. Always use cookware appropriate for the size of the surface element.
- e. Keep fan, filters and grease laden surfaces clean.
- f. Use high setting on hood only when necessary.
- g. Don't leave hood unattended when cooking.
- h. Always use cookware and utensils appropriate for the type of and amount of food being prepared.

**WARNING**

TO REDUCE THE RISK OF INJURY TO PERSONS IN THE EVENT OF A RANGE TOP FIRE, OBSERVE THE FOLLOWING:

- a. SMOTHER FLAMES with a close-fitting lid, cookie sheet, or metal tray, then turn off the burner. BE CAREFUL TO PREVENT BURNS. If the flames do not go out immediately, EVACUATE AND CALL THE FIRE DEPARTMENT.
- b. NEVER PICK UP A FLAMING PAN – You may be burned.
- c. DO NOT USE WATER, including wet dishcloths or towels – a violent steam explosion will result.
- d. Use an extinguisher ONLY if:
  - 1. You know you have a Class ABC extinguisher, and you already know how to operate it.
  - 2. The fire is small and contained in the area where it started.
  - 3. The fire department is being called.
  - 4. You can fight the fire with your back to an exit

**WARNING**

TO REDUCE THE RISK OF FIRE, ELECTRIC SHOCK OR INJURY TO PERSONS, OBSERVE THE FOLLOWING:

- a. Installation work and electrical wiring must be done by qualified person (s) in accordance with all applicable codes and standards. Including fire-rated construction.
- b. Sufficient air is needed for power combustion and exhausting of gases through the flue (chimney) of fuel burning equipment to prevent back-drafting. Follow the heating equipment manufacturer's guideline and safety standards such as those published by the National Fire Protection Association (NFPA) and the American Society for Heating, Refrigeration and Air Conditioning Engineers (ASHRAE) and the local code authorities.
- c. When cutting or drilling into wall or ceiling, do not damage electrical wiring and other hidden utilities.
- d. Ducted fans must always vent to the outdoors.
- e. If this unit is to be installed over a tub or shower, it must be marked as appropriate for the application and be connected to a GFCL (Ground Fault Interrupter protected branch circuit).
- g. NEVER place a switch where it can be reached from a tub or shower.
- h. Make sure the power is off before installing, wiring or maintenancing.

**CAUTION**

To reduce the risk of fire and electric shock, install this range hood only with external blower models CBE-1000, rated maximum 6.2 amps, 120V AC 60Hz or internal blowers manufactured by Zephyr Ventilation, models CBI-600A.

**WARNING**

TO REDUCE THE RISK OF FIRE, USE ONLY METAL DUCTWORK.

**CAUTION**

To reduce risk of fire and to properly exhaust air outside - Do not vent exhaust air into spaces within walls, ceilings, attics, crawl spaces or garages.

**WARNING**

TO REDUCE THE RISK OF SHOCK, THIS FAN MUST BE INSTALLED WITH AN ISOLATING WALL CONTROL/ SWITCH.

**OPERATION**

Always leave safety grills and filters in place. Without these components, operating blowers could catch onto hair, fingers and loose clothing.

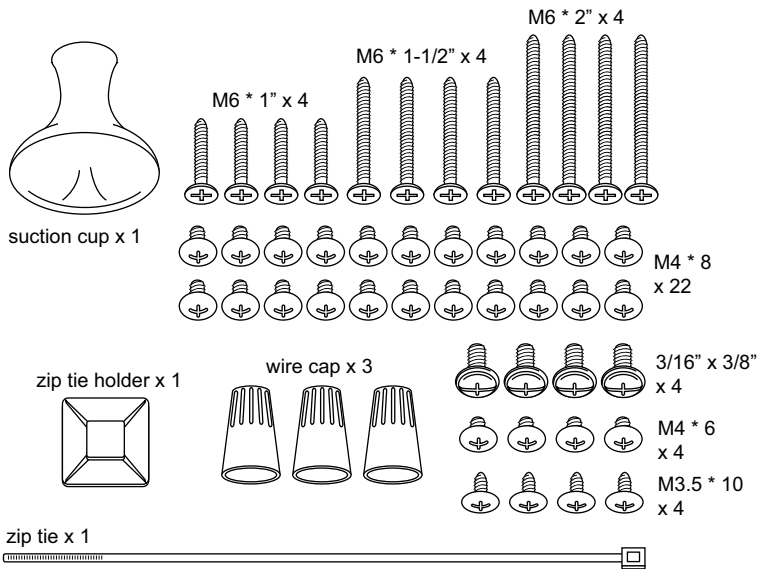
\*NOTE: Please check [www.zephyronline.com](http://www.zephyronline.com) or call us for revisions before doing any custom work.

# List of Materials

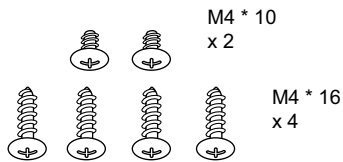
MODEL: CCA-E30ASX, CCA-E36ASX, CCA-E48ASX

- 1 - Hood
- 2 - Baffle Filters (3) for 48" model
- 2 - Halogen Lights (4) for 48" model
- 1 - 6" round top mounting plate
- 1 - Solid top mounting plate
- 1 - Rectangular starting collar
- 1 - Round to rectangular adapter
- 2 - Blower brackets
- 1 - 8" round top mounting plate
- 1 - External wiring harness
- 1 - Hardware packet

## Cache Hardware Packet Contents



## CBI-600A Hardware



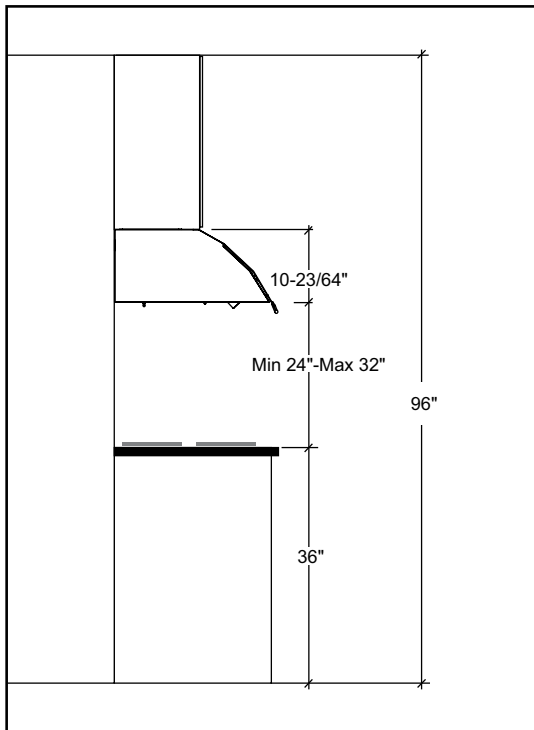
# Installation – Ducting Calculation Sheet

Duct pieces		Equivalent number length x used =	Total
	3-1/4" x 10" Rect., straight	1 Ft. x ( ) =	Ft.
	7" Round, straight	1 Ft. x ( ) =	Ft.
	8" Round, straight	1 Ft. x ( ) =	Ft.
	3-1/4" x 10" Rect. 90° elbow	15 Ft. x ( ) =	Ft.
	3-1/4" x 10" Rect. 45° elbow	9 Ft. x ( ) =	Ft.
	3-1/4" x 10" Rect. 90° flat elbow	24 Ft. x ( ) =	Ft.
	3-1/4" x 10" Rect. wall cap with damper	30 Ft. x ( ) =	Ft.
	3-1/4" x 10" Rect. to 6" round transition	5 Ft. x ( ) =	Ft.
	3-1/4" x 10" Rect. to 6" round transition 90° elbow	15 Ft. x ( ) =	Ft.
	6" Round, 90° elbow	15 Ft. x ( ) =	Ft.
	6" Round, 45° elbow	9 Ft. x ( ) =	Ft.
Subtotal column 1 =			Ft.

Duct pieces		Equivalent number length x used =	Total
	6"- 8" Round wall cap with damper	30 Ft. x ( ) =	Ft.
	6"- 8" Round, roof cap	30 Ft. x ( ) =	Ft.
	6" round to 3-1/4" x 10" rect. transition	1 Ft. x ( ) =	Ft.
	6" round to 3-1/4" x 10" rect. transition 90° elbow	16 Ft. x ( ) =	Ft.
	7" or 8" Round, 90° elbow	15 Ft. x ( ) =	Ft.
	7" or 8" Round, 45° elbow	9 Ft. x ( ) =	Ft.
	7" or 8" Round wall cap with damper	30 Ft. x ( ) =	Ft.
	7" or 8" Round, roof cap	30 Ft. x ( ) =	Ft.
	7" round to 3 1/4" x 10" rect. transition	8 Ft. x ( ) =	Ft.
	7" round to 3-1/4" x 10" rect. transition 90° elbow	15 Ft. x ( ) =	Ft.
Subtotal column 2 =			Ft.
Subtotal column 1 =			Ft.
Total ductwork =			Ft.

**Maximum Duct Length:** For satisfactory air movement, the total duct length of a 3 1/4" x 10" rectangular 6", 7" or 8" diameter round duct should not exceed 100 equivalent feet.

# Installation – Mounting Height & Clearance



Minimum mount height between range top and hood bottom should be no less than 24”.

Maximum mount height should be no higher than 32”.

It is important to install the hood at the proper mounting height. Hoods mounted too low could result in heat damage and fire hazard; while hoods mounted too high will be hard to reach and will lose its performance and efficiency.

If available, also refer to range manufacturer’s height clearance requirements and recommended hood mounting height above range.

**Vertical:**  
 6” round minimum (internal blower)  
 10” to 8” round minimum (external blower)

**Horizontal:**  
 3-1/4”x10” minimum (internal blower)  
 No horizontal option available for external blower

## DUCTING

A minimum of 6” round or 3-1/4” x 10” rectangular duct work must be used to maintain maximum air flow efficiency with the 600 cfm internal blower. A minimum of 10” to 8” round duct work must be used with the 1000 cfm external blower.

Always use rigid type metal ducts only. Flexible ducts could restrict air flow by up to 50%.

Use calculation (on page 5) to compute total available duct run when using elbows, transitions and caps.

ALWAYS, when possible, reduce the number or transitions and turns. If long duct run is required, increase duct size from 6” to 7 or 8”. If a reducer is used, install a long reducer instead of a pancake reducer. Reduce duct size as far away from opening as possible.

If turns or transitions are required; install as far away from opening and as far apart, between 2, as possible.



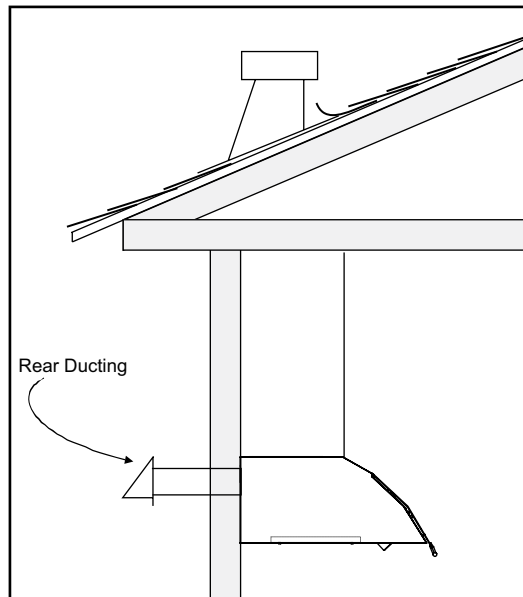
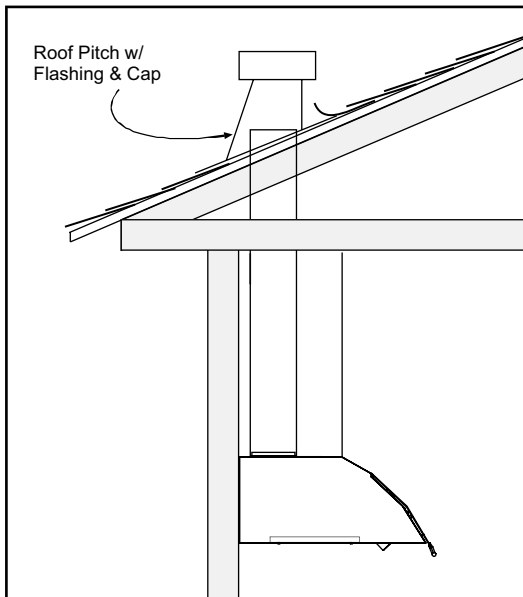
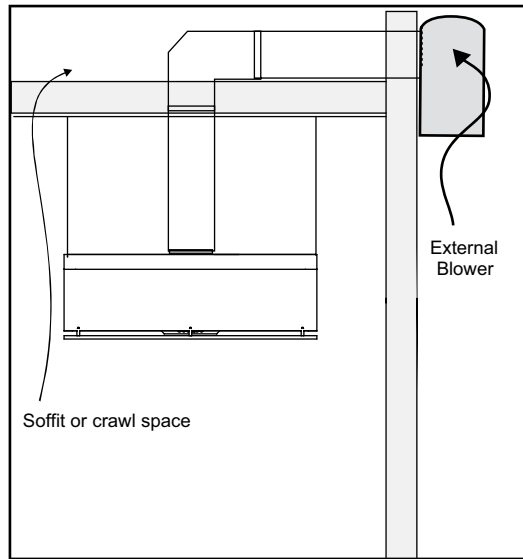
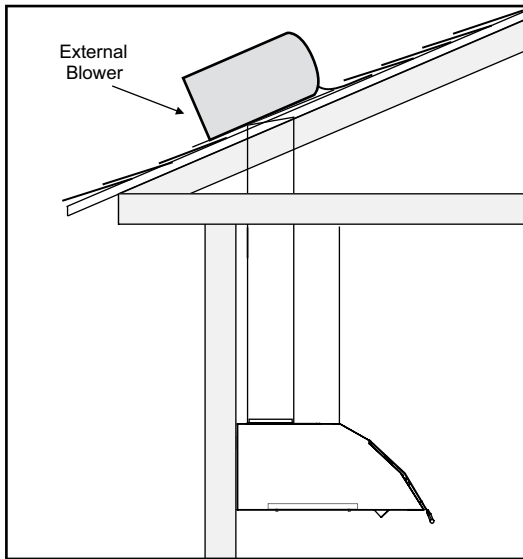
**WARNING FIRE HAZARD**

NEVER exhaust air or terminate duct work into spaces between walls, crawl spaces, ceiling, attics or garages. All exhaust must be ducted to the outside.

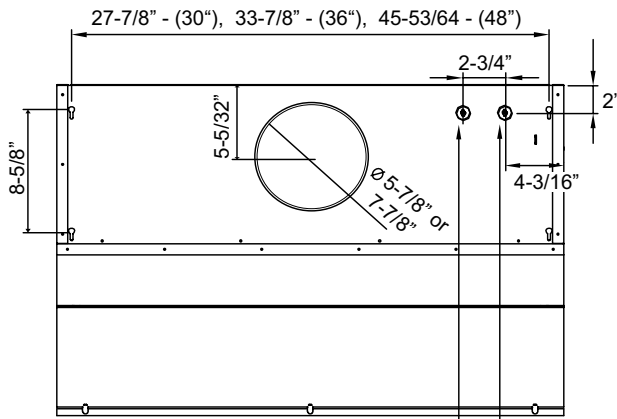
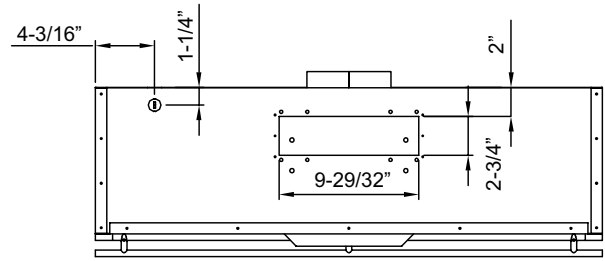
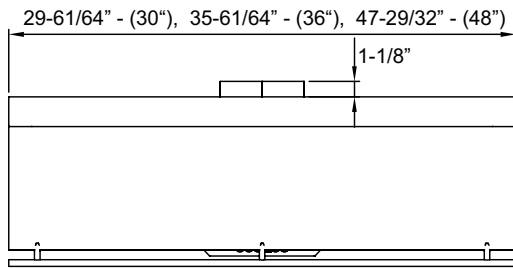
Use metal ductwork only.

Fasten all connections with sheet metal screws and tape all joints with certified Silver Tape or Duct Tape.

**Some Ducting Options**

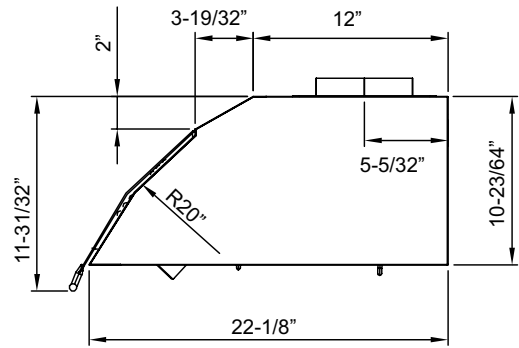


# Installation – Hood Specifications



ext. blower  
knock-out

AC power  
knock-out



**ELECTRICAL  
WARNING**

**All Electrical work must be performed by a qualified electrician or person with similar technical know-how and background.**

For personal safety, remove house fuse or open circuit breaker before beginning installation. Do not use extension cord or adapter plug with this appliance.

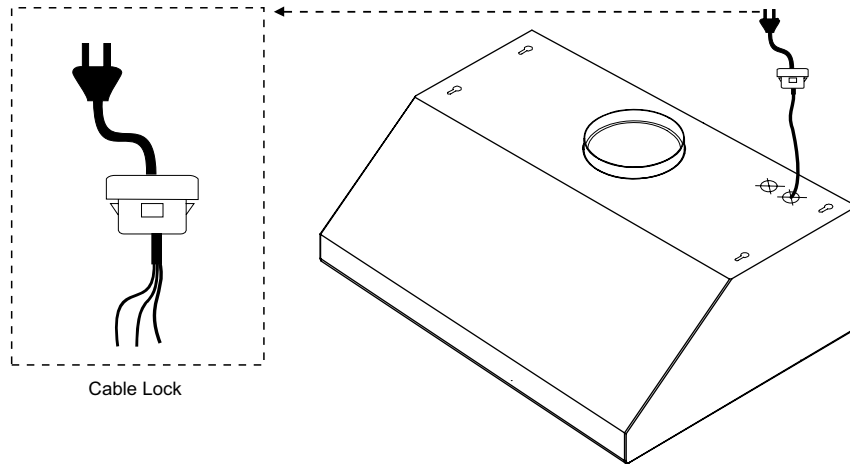
**Follow national electrical codes or prevailing local codes and ordinances.**

**Electrical Supply:**

This appliance requires a 120V 60Hz electrical supply, and connected to an individual, properly grounded branch circuit, protected by a 15 or 20 ampere circuit breaker or time delay fuse. Wiring must be 2 wire w/ ground. Please also refer Electrical Diagram labeled on product.

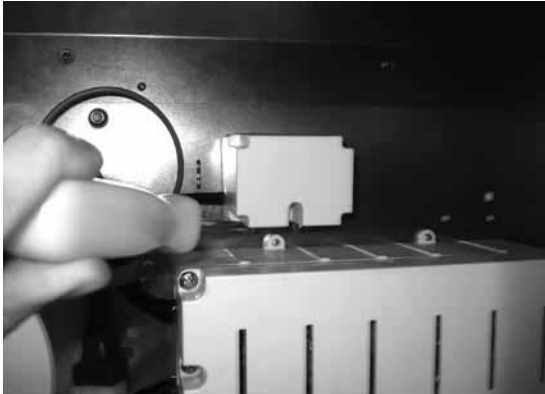
**Cable Lock:**

A cable locking connector (not supplied) might also be required by local codes. Check with local requirements and codes, purchase and install appropriate connector if necessary.

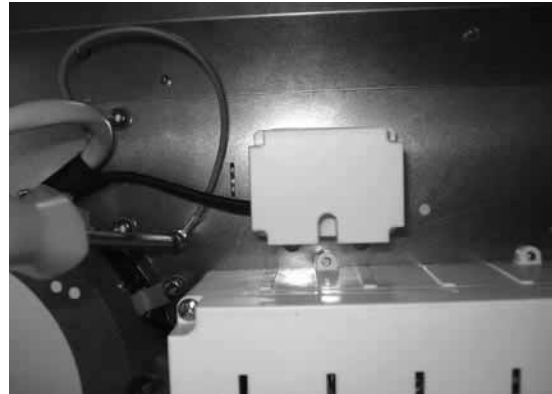


**Installation – Internal Blower (Vertical Ducting)**

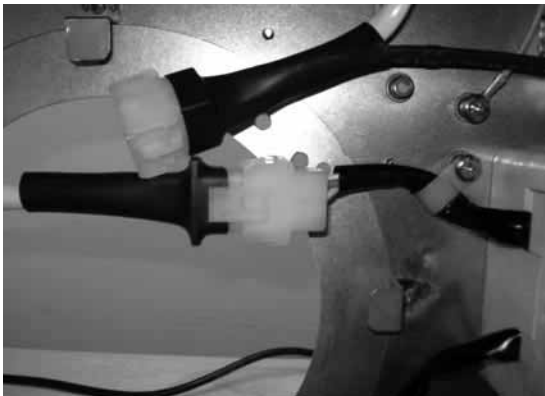
**INTERNAL BLOWER PREPARATION – VERTICAL DUCTING**



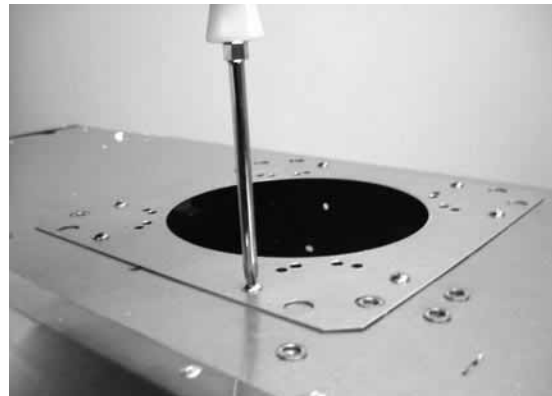
1. Attach capacitor box to inside of hood using two M4\*10 screws included with internal blower.



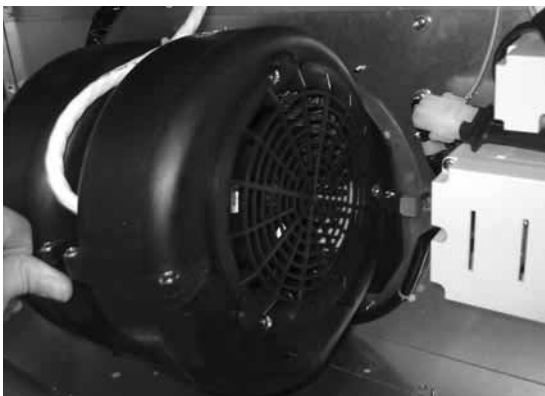
2. Attach green ground wire to ground screw on hood.



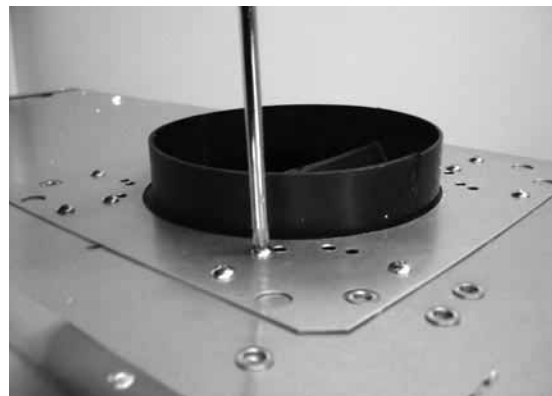
3. Connect 6 pin male connector from capacitor box to 6 pin female connector on control board box.



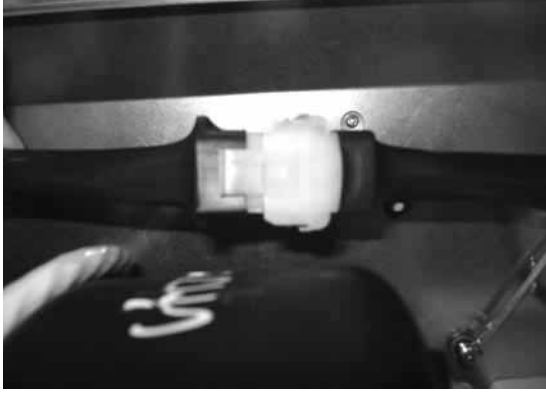
4. Place 6" round mounting plate on top of hood and secure using eight M4\*8 screws.



5. Install internal blower into hood.



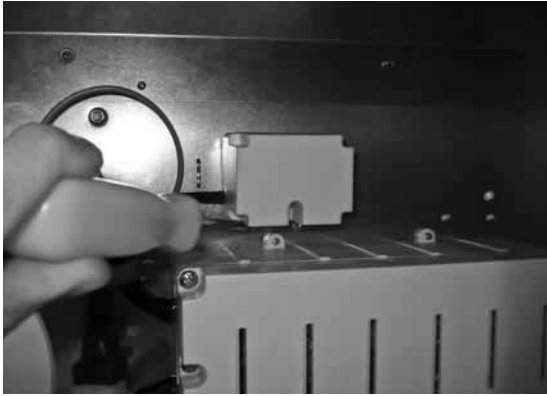
6. Secure internal blower to hood using four M4\*16 screws included with internal blower.



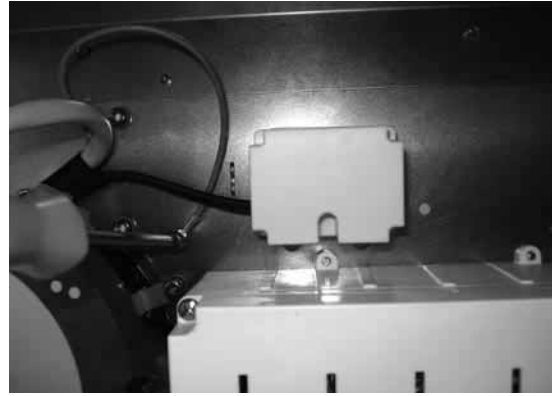
7. Connect 9 pin male connector from blower to 9 pin female connector on capacitor box.

Installation – Internal Blower (Horizontal Ducting)

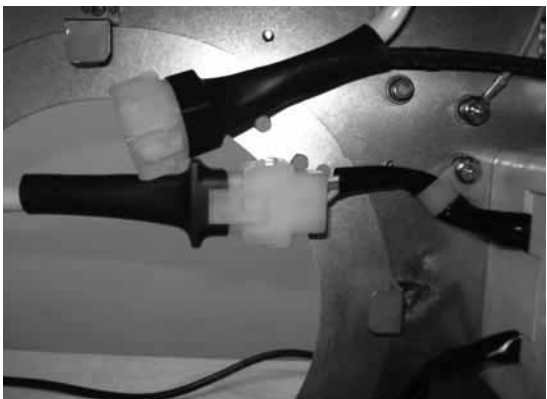
INTERNAL BLOWER PREPARATION – HORIZONTAL DUCTING



1. Attach capacitor box to inside of hood using two M4\*10 screws included with internal blower.



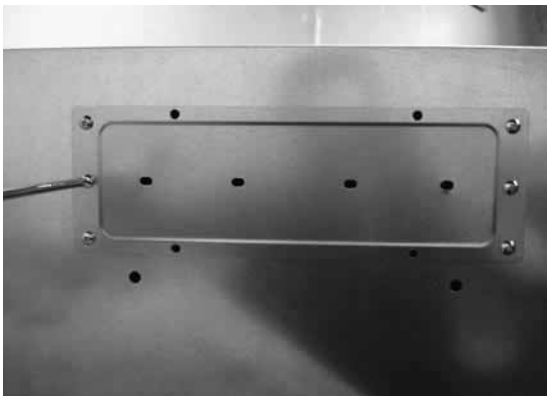
2. Attach green ground wire to ground screw on hood.



3. Connect 6 pin male connector from capacitor box to 6 pin female connector on control board box.



4. Place solid mounting plate on top of hood and secure using eight M4\*8 screws.



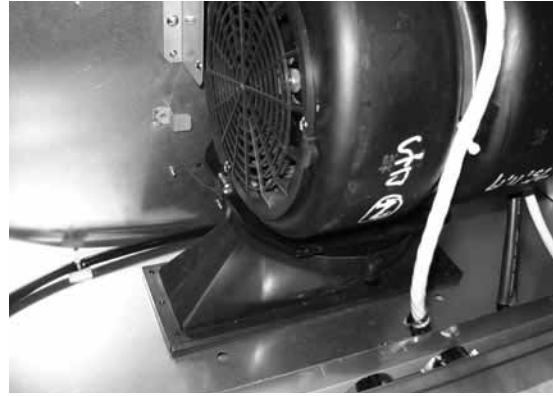
5. Remove rectangular cap from back of hood. Place six M4\*8 screws aside for later use.



6. Attach blower brackets to blower as shown above using two M3.5\*10 screws for each bracket. There are two brackets total, one for each side of the blower. NOTE: Drilled flange of both blower brackets faces away from the blower casing.



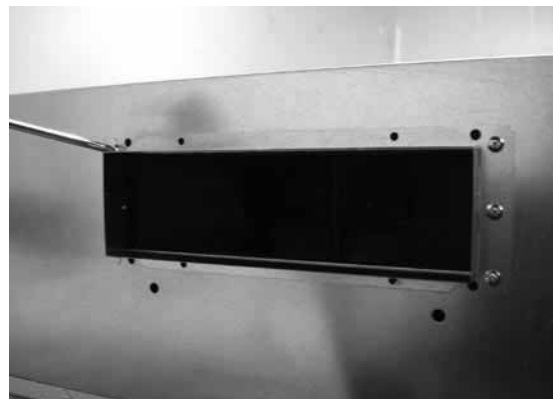
7. Place blower over round to rectangular adapter as shown above.



8. Install blower with round to rectangular adapter into hood.



9. Mount blower brackets to hood using two 3/16" \* 3/8" screws for each bracket. Screws are included with internal blower.



10. Install rectangular starting collar to back of hood using six M4\*8 screws recently removed from rectangular cap (three screws on each side).

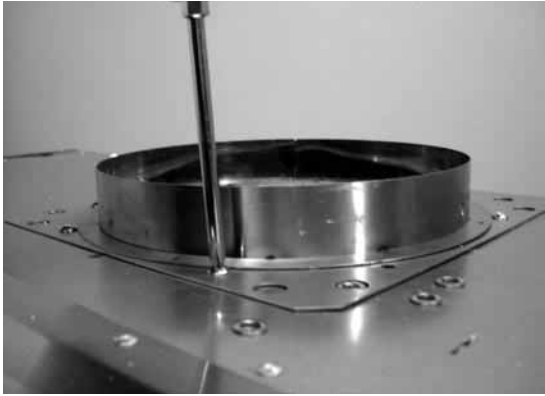
Install four additional M4\*8 screws in the top and bottom middle of rectangular starting collar. Check and verify inner adapter is firmly secured.



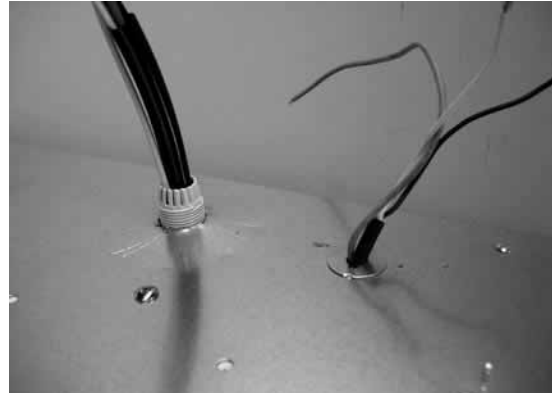
11. Connect 9 pin male connector from blower to 9 pin female connector on control board box.

## Installation – Internal Blower (Horizontal Ducting)

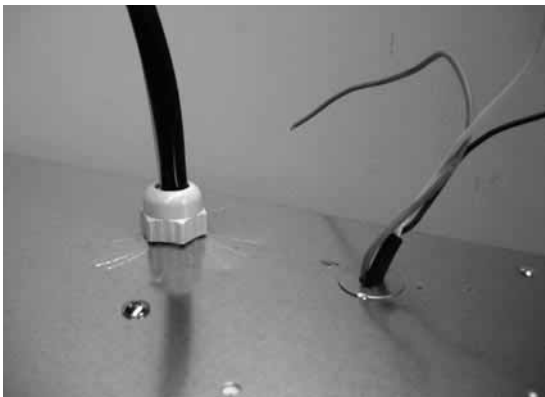
### EXTERNAL BLOWER PREPARATION



1. Place 8" round mounting plate on top of hood and secure using eight M4\*8 screws.



2. Install threaded cable lock and external blower wiring through the knockout next to the electrical wiring knockout.



3. Place cap over threaded cable lock and secure by turning cap clockwise. **NOTE:** Due to the size of the cap, it may be easier to install it after the hood has been mounted.

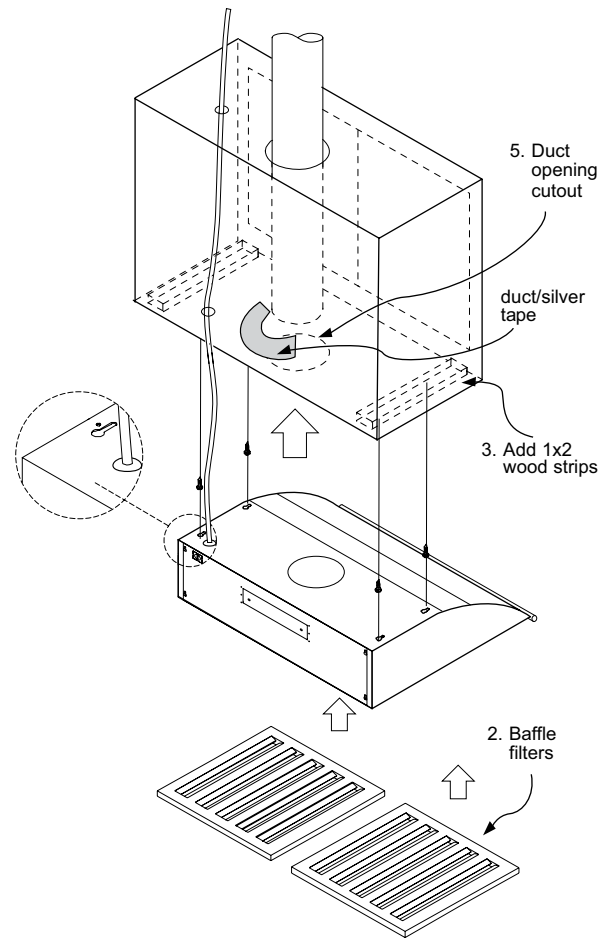


4. Connect 6 pin male connector from external blower wiring to 6 pin female connector on control board box. Attach green ground wire from external wiring to ground screw on hood.

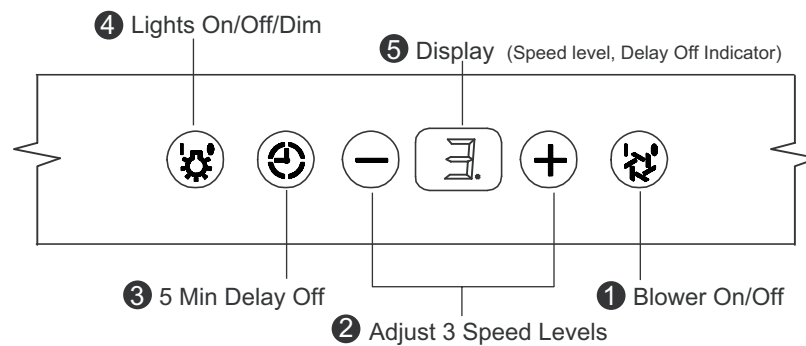
**NOTE:** For instructions on mounting the external blower please refer to the CBE-1000 external blower manual included in the external blower packaging or on our website. [www.zephyronline.com](http://www.zephyronline.com)




1. Select preferred duct location (internal blower - vertical or horizontal, external blower - vertical only).
2. Begin installation by removing the baffle filters.
3. Reinforce cabinet with 1" x 2" wood strips if additional strengthening is required. Must be placed inside frameless cabinets.
4. Temporarily position the range hood in the desired mounting location. Measure and mark the mounting holes, duct and electrical locations with a pencil.  
**NOTE:** If using an internal blower a 6" round duct opening is necessary. If using an external blower an 8" round opening is necessary.
5. Drill/cut out the required openings for duct and electrical access; make sure the duct opening is large enough to apply duct tape.  
**NOTE:** If installing an external blower, cut out a minimum 1-1/2" opening for the external blower wires to pass through. Refer to page 8 for specifications.
6. Fasten hood onto cabinet with screws provided.
7. Install electrical.
8. Install duct work and duct tape.
9. Reinstall baffle filters.
10. Power up hood and check for leaks around duct tape.



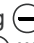


## Installation – Mounting the Range Hood





### 1 Blower On/Off

By pressing , the blower is switched On and Off. When switched on, the blower starts up on the same speed it was turned off at. When switched off the entire hood powers off, including the lights.

### 2 Speed Selection

The 3 speed levels are selected by pressing  to decrease and  to increase speed level. The display indicates level selected. Pressing  when the hood is off will also turn it on.

### 3 Delay Off

This is used for programmed shut down of blower and lights 5 minutes after the function is activated. Press  once, a dot displays in the lower right hand side of display  indicating the function is on. The hood will change to speed 1 and shut down after 5 minutes.

### 4 Lights On/Off/ Dim

Switch lights On and Off by pressing  once. To dim lights, press  again.

**SURFACE MAINTENANCE:**

Clean periodically with hot soapy water and clean cotton cloth. Do not use corrosive or abrasive detergent, or steel wool/scoring pads which will scratch and damage surface.

For heavier soil use liquid degreaser.

After cleaning, you may use non-abrasive stainless steel polish/ cleaners, to polish and buff out the stainless luster and grain. Always scrub lightly using a micro fiber or clean cotton cloth and with the stainless steel grain.

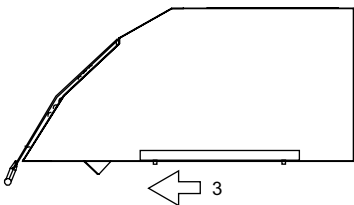
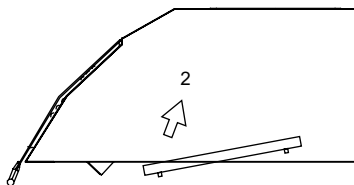
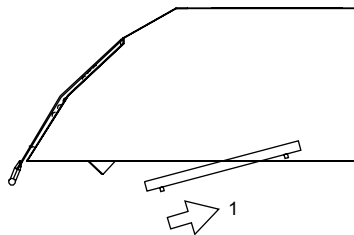
**Stainless Steel Baffle Filters**

The stainless steel baffle filters fitted by the factory are intended to trap residue and grease from cooking. Although the filters never need replacement, they are required to be cleaned every 30 - 60 days or more often depending on cooking habits.

Filters may be placed in dishwasher at low heat or soaked in hot soapy water.

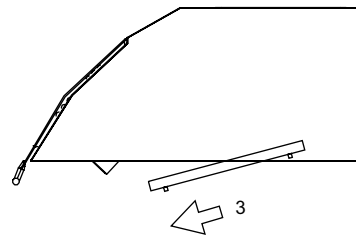
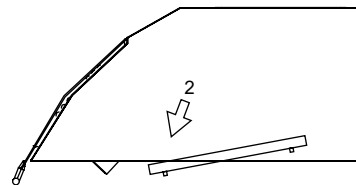
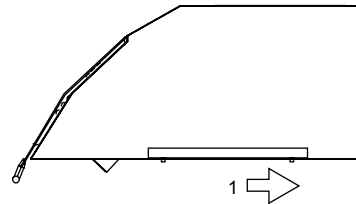
**Installing Baffle Filters**

1. Insert filter in metal groove on bottom of hood. Push filter towards back of hood using handles.
2. Pivot front of filter upward until it is flush with the hood.
3. Lock filter in place by pulling away from hood.



**Removing Baffle Filters**

1. Pull filter toward back of range hood using handles.
2. Pivot front of filter upward.
3. Remove downwards to the rear.



## REPLACING LIGHT BULBS

**CAUTION:** Light bulb becomes extremely hot when turned on.

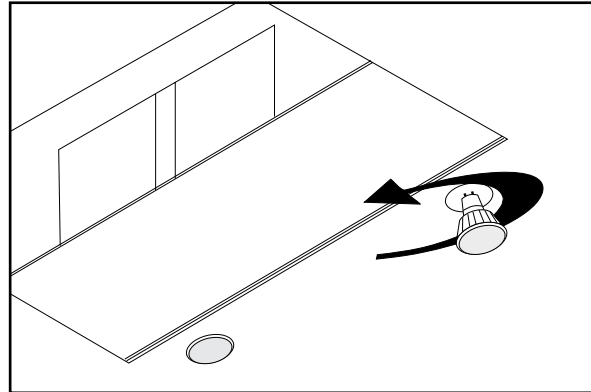
**DO NOT touch bulb until switched off and cooled. Touching hot bulbs could cause serious burns.**

Make sure all power is turned off and bulbs are not hot.

Remove by turning bulb counter clockwise.

If bulbs are difficult to turn due to prolonged use, firmly attach a glass suction cup approximately the diameter of the bulb and turn. You may also use a rubber/latex glove to grip the bulb with the palm of your hand and turn.

Replacement bulbs are available on our website, part number Z0B0020S. (GU10 120V 50W.)



**TROUBLESHOOTING PROCEDURES FOR CACHE**

<b>Issue</b>	<b>Cause</b>	<b>What to do</b>
After installation, the unit doesn't work.	1. The power source is not turned ON.	1. Make sure the circuit breaker and the unit's power is ON.
	2. The power line and the cable locking connector is not connecting properly.	2. Check the power connection with the unit is connected properly.
	3. The switch board and control board wirings are disconnected.	3. Make sure the wirings between the switch board and control board are connected properly.
	4. Wire harness from external or internal blower might be disconnected.	4. Make sure the wires are connected to the control board box
	5. The switch board or control board is defective.	5. Change the switch board or control board.
Light works, but motor is not turning.	1. The motor is defective, possibly seized.	1. Change the motor.
	2. The thermally protected system detects if the motor is too hot to operate and shuts the motor down.	2. The motor will function properly after the thermally protected system cool down.
	3. Damaged capacitor.	3. Change the capacitor.
The unit is vibrating.	1. The motor is not secure in place.	1. Tighten the motor in place.
	2. Damaged blower wheel/makes noise.	2. Change the motor.
	3. The hood is not secured in place.	3. Check the installation of the hood.
The motor is working, but the lights are not.	1. Defective halogen bulb.	1. Change the halogen bulb.
	2. The light bulb is loose.	2. Tighten the light bulb.
The hood is not venting out properly.	1. The hood might be hanging to high from the cook top.	1. Adjust the distance between the cook top and the bottom of the hood within 24" and 32" range.
	2. The wind from the opened windows or opened doors in the surrounding area are affecting the ventilation of the hood.	2. Close all the windows and doors to eliminate the outside wind flow.
	3. Blocking in the duct opening or ductwork.	3. Remove all the blocking from the duct work or duct opening.
	4. There are too many turns within the ducting.	4. Limit number of turns and/or increase duct size.
	5. Using the wrong size of ducting.	5. Change the ducting to at least 6" or higher for the internal blower and 8" or higher for the external blower.
Filter is vibrating.	1. Baffle filter is loose.	1. Remove filter and reinstall it or change the baffle filter
After hood has been installed for a period of time, it stopped working.	1. Control board needs to be reset.	1. Turn circuit breaker which controls the hood off for at least 15 minutes. Turn it back on and this should fix the problem.
	2. Defective control board.	2. Replace control board.

# Warranty

TO OBTAIN SERVICE UNDER WARRANTY:  
or any Service Related Questions, please call:  
1-888-880-8368

**Staple your receipt here.  
Proof of the original purchase  
date is needed to obtain service  
under the warranty.**

**TO OBTAIN SERVICE UNDER WARRANTY:** You must present proof of original purchase date.  
Please keep a copy of your dated proof of purchase (sales slip) in order to obtain service under warranty.

### **One Year Service Repair Warranty:**

For one year from date of original purchase, we will provide free of charge, service labor to repair any failed parts or components due to manufacturing defects.

### **Two Years Parts Warranty:**

For two years from date of original purchase, we will provide free of charge, nonconsumable replacement parts or components that failed due to manufacturing defects. Consumable parts not covered by this warranty include: Light Bulbs, Metal and Carbon Filters.

### **Who is Covered:**

This warranty is extended to the original purchaser for products purchased for ordinary home use in the 48 mainland states, Hawaii and Washington D.C. In Canada and Alaska, this warranty is Limited. There might be costs associated with shipping the products to our designated service locations or you might need to pay service technician's travel costs, to have the appliance repaired in-home.

### **This Warranty will be Voided when:**

Product damaged through negligence, misuse, abuse, accident. Improper installation and failure to follow installation instructions. When product is used commercially or other than its intended purpose. Damaged because of improper connection with equipment of other manufacturers. Repaired or modified by anyone other than Zephyr's Authorized Agents.

### **What is Not Covered:**

Consumable parts such as light bulbs, filters, and fuses. Services outside of service area and the labor cost incurred in connection with the removal, shipping and reinstallation cost, nor does it cover any other contingent expenses. The natural wear of finish, and wear due to improper maintenance, use of corrosive and abrasive cleaning products, pads, and oven cleaner products. Chips, dents or cracks due to abuse, misuse, freight damage, or improper installation. Service trips to your home to teach you how to use the product. Damage of product caused by accident, fire, floods or act of God.

This warranty is valid in the United States and Canada. It is non-transferable and applies only to the original purchaser and does not extend to subsequent owners of this product. Any applicable implied warranties, including the warranty of merchantability, are limited in duration to a period of express warranty as provided herein beginning with the date of original purchase at retail and, no warranties, whether express or implied, shall apply to this product thereafter.

Have your product proof of purchase with date ready for warranty issues.  
Or write to:

**Zephyr Corporation  
Service and Warranty Department  
395 Mendell Street  
San Francisco, CA 94124**